

Data sheet

# Anti-Drip Spray Nozzles Type 4023

## Application



With the type 4023 anti-drip nozzles, operators can achieve fluid cut-off near the orifice while maintaining pressure within the nozzle supply system.

The type 4023 nozzle emits a finely atomized spray mist suitable for nearly all humidifying, light wetting and evaporative cooling application. This nozzle has become a nozzle of choice for the insect spray system industry.

### Application and Features

- Insect control
- Odor control chemicals
- Green houses
- Agriculture, farms, livestock, barns
- Environmentally hazardous chemicals
- Reduces undesirable nozzle after-drip
- Field proven performance for over 40 years
- Accurate, flow rate and spray angle
- Produces a finely atomized mist

### Availability

- Standard flow rate: 0.75 GPH at 160 psi (11bar), water.
- Spray angle: 70 Degrees at 160 psi, water.
- Spray pattern: Semi solid cone.

### Available Accessories

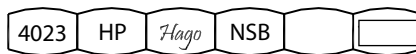
- Adapters

Many nozzles are satisfactory for spraying liquids, but for a positive cut-off ask for the Hago type 4023 nozzle. Our exclusive design produces a precisely controlled flow rate and spray angle and includes a liquid cut-off near the orifice. Fluid cut-off near the orifice can be very important in situations where excessive after drip can damage or destroy things located beneath the nozzle.

Chemicals, insecticides, and even plain water, if allowed to drip, can foul the environment or injure livestock, seedlings and industrial materials.

## Identification

The nozzles are marked with the following information:



| Stamped on the flats |                                  |
|----------------------|----------------------------------|
| 4023                 | Anti-Drip spray nozzle           |
| HP                   | High Pressure                    |
| NSB                  | Nickel Silver tip and Brass disc |
|                      | Batch code for internal use      |

Data sheet

Anti-Drip Spray Nozzles Type 4023

Technical Data

Material and construction

Our nozzle with nickel silver tip and brass disc is our most popular and corrosion resistant offering for water applications. Nickel Silver is a trade name for a non-magnetic copper nickel alloy. This also includes a stainless steel spring.

Cut off valve

The cut off valve has a closing pressure between 40-70 psi (~3 to 5 bar)

Filtration

30-40 µm sintered bronze filter

Performance

Minimum recommended operation pressure is 160 psi (11 bar).  
The nozzle is rated 0.75 gph (water) at 160 psi (11bar) where it delivers a semi solid spray pattern.

Recommended tightening torque

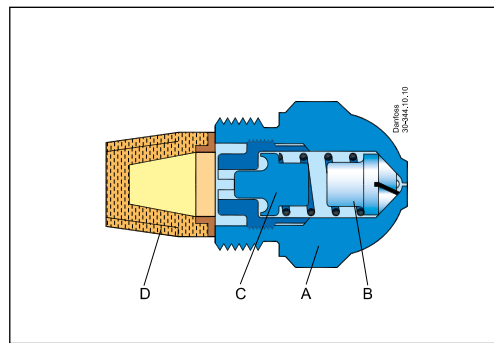
130 to 180 in-lbs (15 to 20 Nm).

Maximum tightening torque

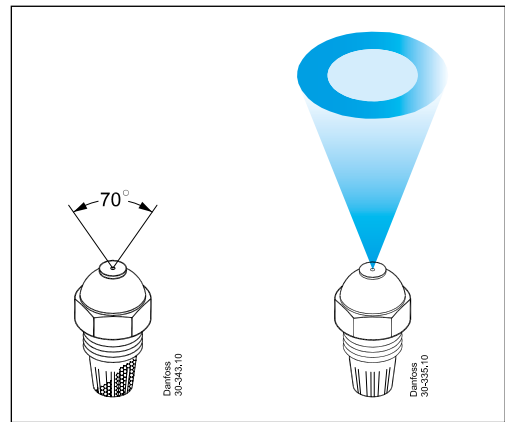
180 in-lbs (20 Nm).

Design

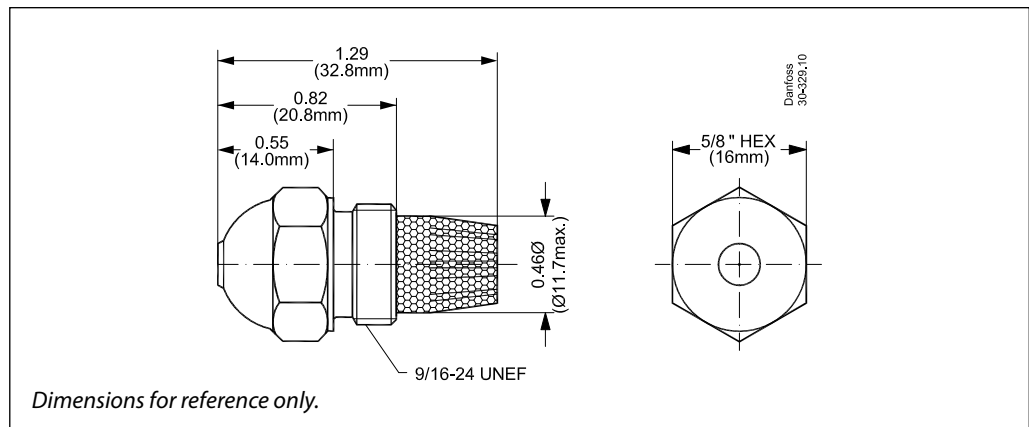
- A: Tip
- B: Disc
- C: Cut-off valve
- D: Sintered filter



Spray angle and pattern



Dimensions



Program

| Standard flow rate | Semi Solid      | Remarks     |
|--------------------|-----------------|-------------|
| Usgal/h            | 70°             | -           |
| 0.75               | <b>030L4501</b> | -           |
| 0.75               | <b>030L4502</b> | With O-ring |

Danfoss

Toronto, ON/Baltimore, MD  
Toll Free: 888-DANFOSS (326-3677) Option #3 for Heating  
heating.danfoss.us  
heating.cs.na@danfoss.com

Danfoss can accept no responsibility for possible errors in catalogues, brochures and other printed material. Danfoss reserves the right to alter its products without notice. This also applies to products already on order provided that such alterations can be made without subsequential changes being necessary in specifications already agreed. All trademarks in this material are property of the respective companies. Danfoss and the Danfoss logotype are trademarks of Danfoss A/S. All rights reserved.