

Data sheet

Humidifying Nozzles Type B

Application



Minimum operating pressure is 40 PSI but increasingly finer droplets result from higher operating pressure. Each nozzle is individually spray tested for accuracy of flow rate, spray angle and spray quality.

Application and Features

- Residential duct humidification
- Evaporation cooling
- Humidification
- Moistening
- Misting

Availability

- Standard spray angle is 70°

Available Accessories

- Adapters

The Type B Humidifying nozzles were originally designed for use with power humidifiers to be sprayed into the duct work of home hot air furnaces as extra fine atomization and precise control of flow rates were required. These nozzles produce the finest possible atomization with direct water pressure operation.

Identification

The nozzles are marked with the following information:



Stamped on the flats	
B100	B = Humidifying Nozzles, 100 = 1.00 US gal/h at 40 psi
[]	Batch code for internal use

Technical Data

Material and construction

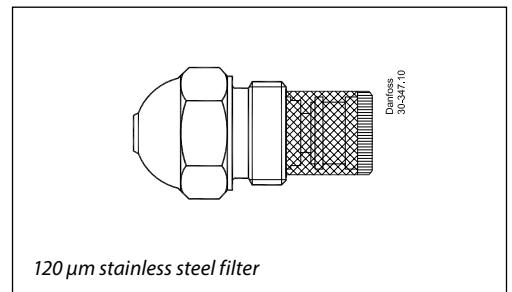
416 Stainless steel: Type 416 stainless steel is a high chrome grade of stainless steel that is rust resistant, but not absolutely rust proof. Good resistance to erosion at higher water pressures. Medium corrosion resistance.

Pressure vs. Flow

For general purposes, change in flow rate due to change in pressure can be estimated as being approximately equal to the square root of the pressure ratio.

Therefore: Flow rate at the desired pressure =

$$\text{RATED FLOW at 40 PSI} * \sqrt{\frac{\text{DESIRED PRESSURE}}{40}}$$



Recommended tightening torque

130-180 in-lbs (15-20 Nm)

Maximum tightening torque

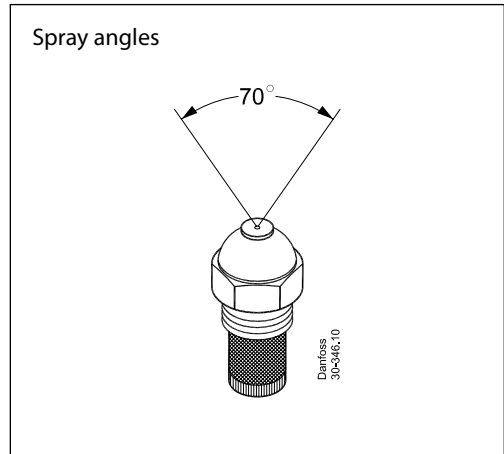
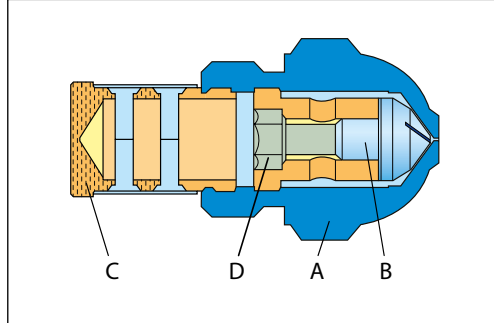
180 in-lbs (20 Nm)

Data sheet

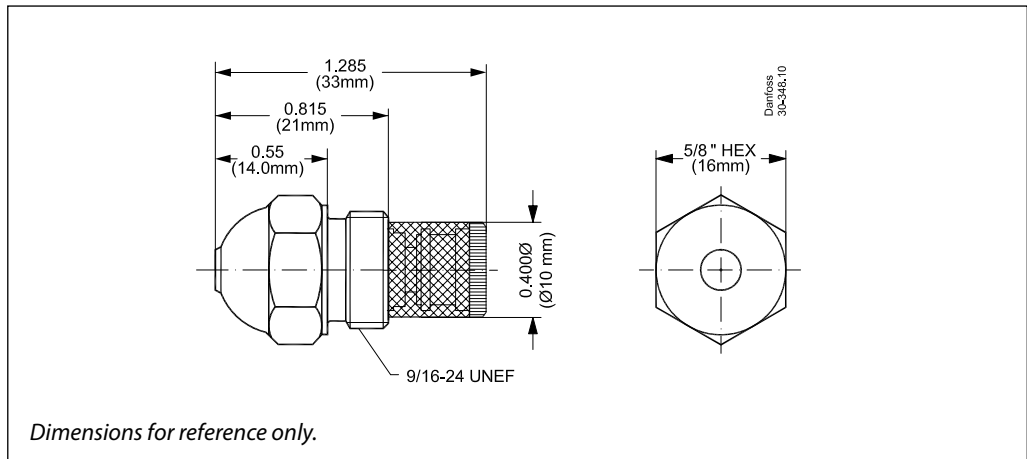
Humidifying Nozzles Type B

Design

- A: Tip
- B: Disc
- C: Strainer
- D: Locknut



Dimensions



Program

Size	Code number	US gal/h at 40 psi
B37	030L4720	0.37
B50	030L4723	0.50
B75	030L4726	0.75
B100	030L4728	1.00
B150	030L4729	1.50
B200	030L4731	2.00

Danfoss

Toronto, ON/Baltimore, MD
 Toll Free: 888-DANFOSS (326-3677) Option #3 for Heating
heating.danfoss.us
heating.cs.na@danfoss.com

Danfoss can accept no responsibility for possible errors in catalogues, brochures and other printed material. Danfoss reserves the right to alter its products without notice. This also applies to products already on order provided that such alterations can be made without subsequent changes being necessary in specifications already agreed. All trademarks in this material are property of the respective companies. Danfoss and the Danfoss logotype are trademarks of Danfoss A/S. All rights reserved.