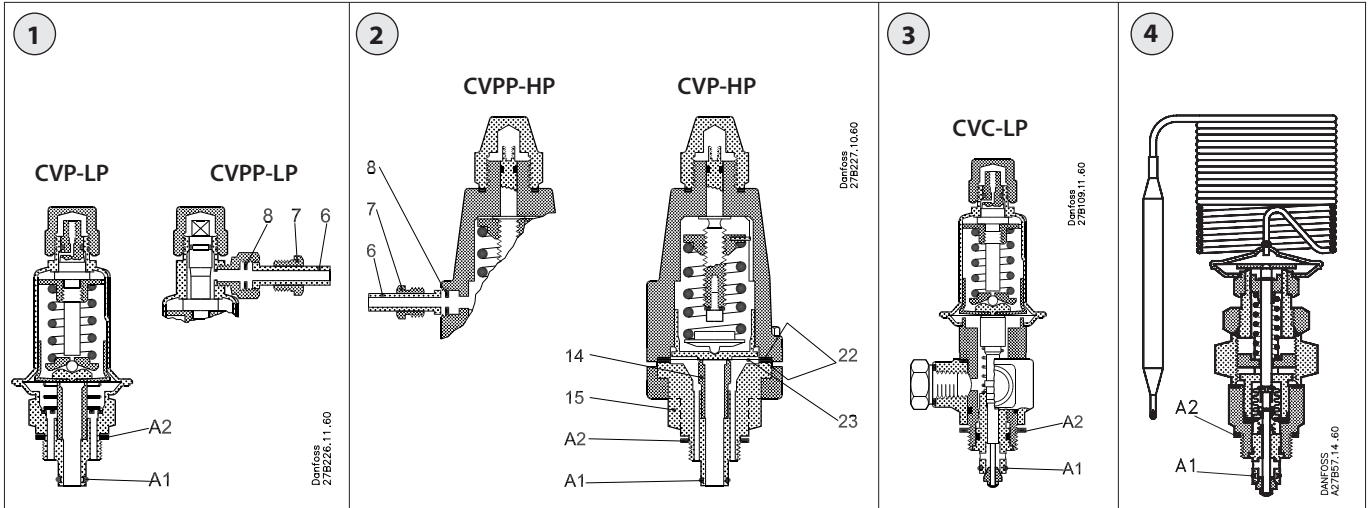


Data sheet - Spare parts and accessories

Pilot valves

Type CVP-LP/HP, CVPP-LP/HP, CVC-LP and CVT



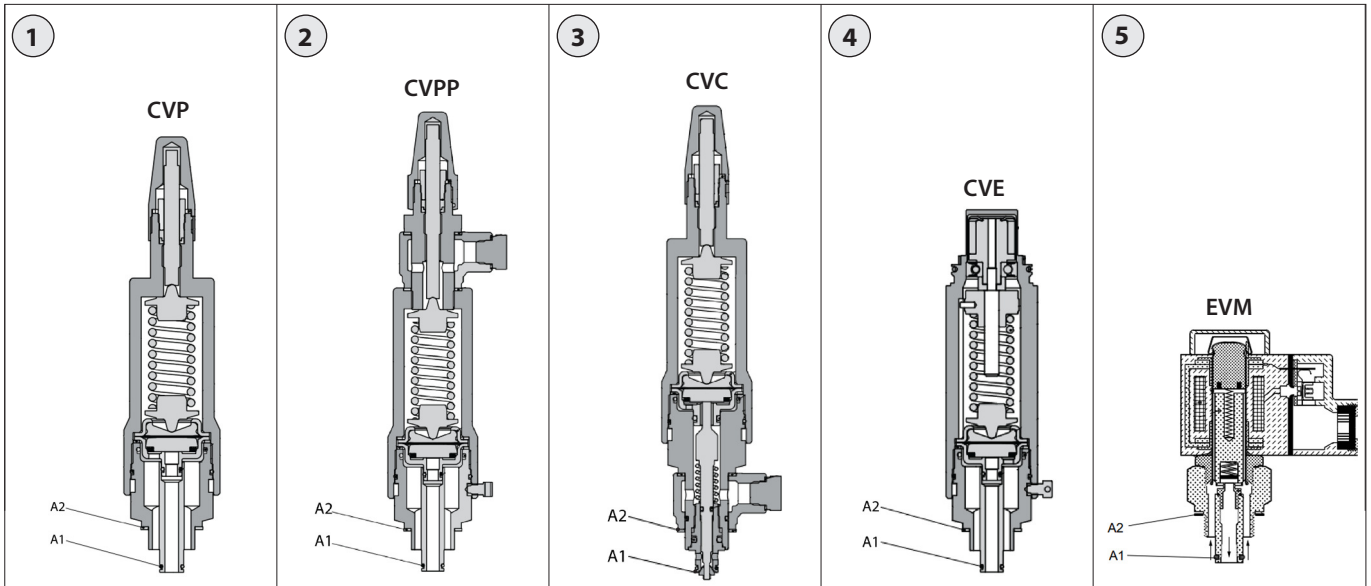
Description	Pos. #	Qty.	Code no.
CVP (LP) (low pressure), pressure controlled, fig. 1			
Seal kit:			
O-ring	A1	1	027F0666
Gasket	A2	1	
CVPP (LP) (low pressure), differential pressure, controlled, fig. 1			
Seal kit:			
O-ring	A1	1	027F0666
Gasket	A2	1	
Connection kit:			
Nipple	6	1	027B0120
Connector	7	1	
Alu gasket	8	1	
CVP (HP) (high pressure), pressure controlled, fig. 2			
Seal kit:			
O-ring	A1	1	027F0666
Gasket	A2	1	

Description	Pos. #	Qty.	Code no.
CVPP (HP) (high pressure), differential pressure controlled, fig. 2			
Seal kit:			
O-ring	A1	1	027F0666
Gasket	A2	1	
Connection kit:			
Nipple	6	1	027B0120
Connector	7	1	
Alu gasket	8	1	
CVC-LP, pressure controlled with signal connector, fig. 3			
Seal kit:			
O-ring	A1	1	027F0666
Gasket	A2	1	
CVT, temperature controlled, fig. 4			
Seal kit:			
O-ring	A1	1	027F0666
Gasket	A2	1	

Data sheet - Spare parts and accessories

New pilot valves

Type CVP, CVPP, CVC, CVE and EVM



Description	Pos. #	Qty.	Code no.
Seal kit:			027F0666
O-ring	A1	1	
Gasket	A2	1	

Danfoss A/S

Climate Solutions • danfoss.com • +45 7488 2222

Any information, including, but not limited to information on selection of product, its application or use, product design, weight, dimensions, capacity or any other technical data in product manuals, catalogues descriptions, advertisements, etc. and whether made available in writing, orally, electronically, online or via download, shall be considered informative, and is only binding if and to the extent, explicit reference is made in a quotation or order confirmation. Danfoss cannot accept any responsibility for possible errors in catalogues, brochures, videos and other material. Danfoss reserves the right to alter its products without notice. This also applies to products ordered but not delivered provided that such alterations can be made without changes to form, fit or function of the product.

All trademarks in this material are property of Danfoss A/S or Danfoss group companies. Danfoss and the Danfoss logo are trademarks of Danfoss A/S. All rights reserved.