

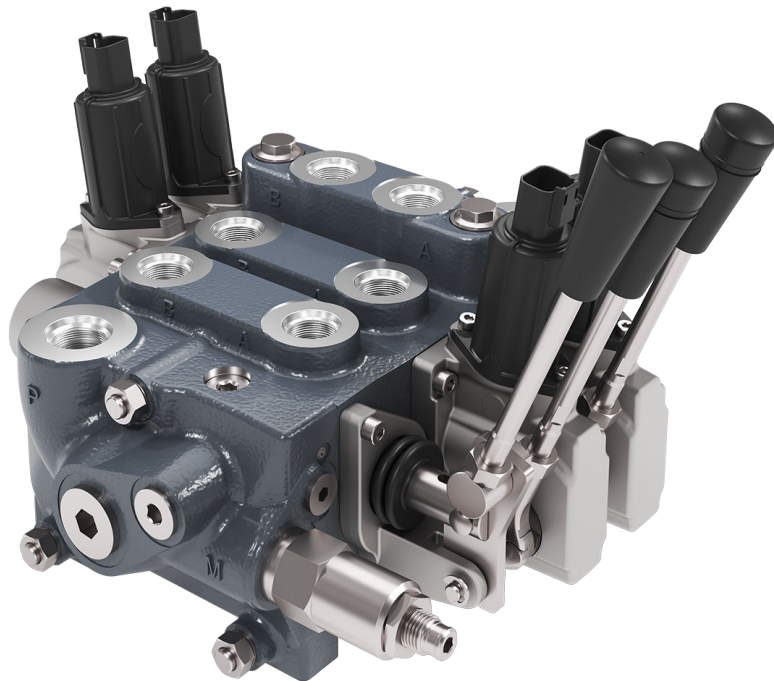
ENGINEERING
TOMORROW



Service and Parts Manual

Directional Valve Group

DVG60 and DVG100



Revision history

Table of revisions

Date	Changed	Rev
September 2024	First edition	0101

Contents

General information

About the DVG.....	4
Safety.....	4
Modules description.....	5
Stack valve identification.....	6
Body identification.....	7
Installation.....	8

Body, valve, and spool service parts

Tank module side port configuration options.....	10
DVP pump side module.....	12
FFD full flow dump module.....	14
DVB basic module.....	15
PVLP shock and PVLA suction valves.....	17
DVT tank module.....	19
DVBS mechanical spring center spools.....	21
DVBS mechanical detent 03 position spools.....	22
DVBS mechanical float spools.....	23
DVBS electro-hydraulic proportional and on/off spools.....	25
DVBS electro-hydraulic proportional float spool.....	26
DVBS pneumatic flow control spool.....	27

Actuator service parts

DVOS open spool mechanical actuators.....	28
DVOS open spool cable actuators.....	29
DVME spring center/detent.....	30
DVM mechanical actuator.....	31
DVH hydraulic actuators.....	33
DVHCO on/off electrical actuators.....	35
DVHC proportional electrical actuator.....	37
DVPM pneumatic actuators.....	39

Kits and seals

DVAS assembly kit.....	41
Set of seals.....	42

General information

About the DVG

The modular Directional Control Valve Group (or DVG), is designed to give maximum flexibility in design and build concept. The modular design allows for a range of actuator options and flow rates.

Circuit options

- Parallel circuit
- Series circuit
- Tandem circuit

Capability

- Flow rates from 0 to 100 l/min [26 US gal/min]
- System pressure up to 310 bar [4500 psi]
- Up to 12 work sections
- 10 cm³/min [0.7in³/min] internal leakage (work port to tank)

Actuation options

- Handles and levers
- Spool ends
- Electrohydraulic Control (EH) proportional and on/off Solenoid
- Cable control
- Pneumatic and Electropneumatic pilot control

Safety

The customer is responsible for determining the required degree of system safety. All marks and types of directional control and proportional valves can fail and cause serious damage. All aspects of the application must be analyzed to identify and correct safety concerns.

Proportional valves are used in many different operating conditions and applications. The manufacturer of the application is responsible for making the final selection of the products and assuring that all performance, safety, and warning requirements of the application are met.

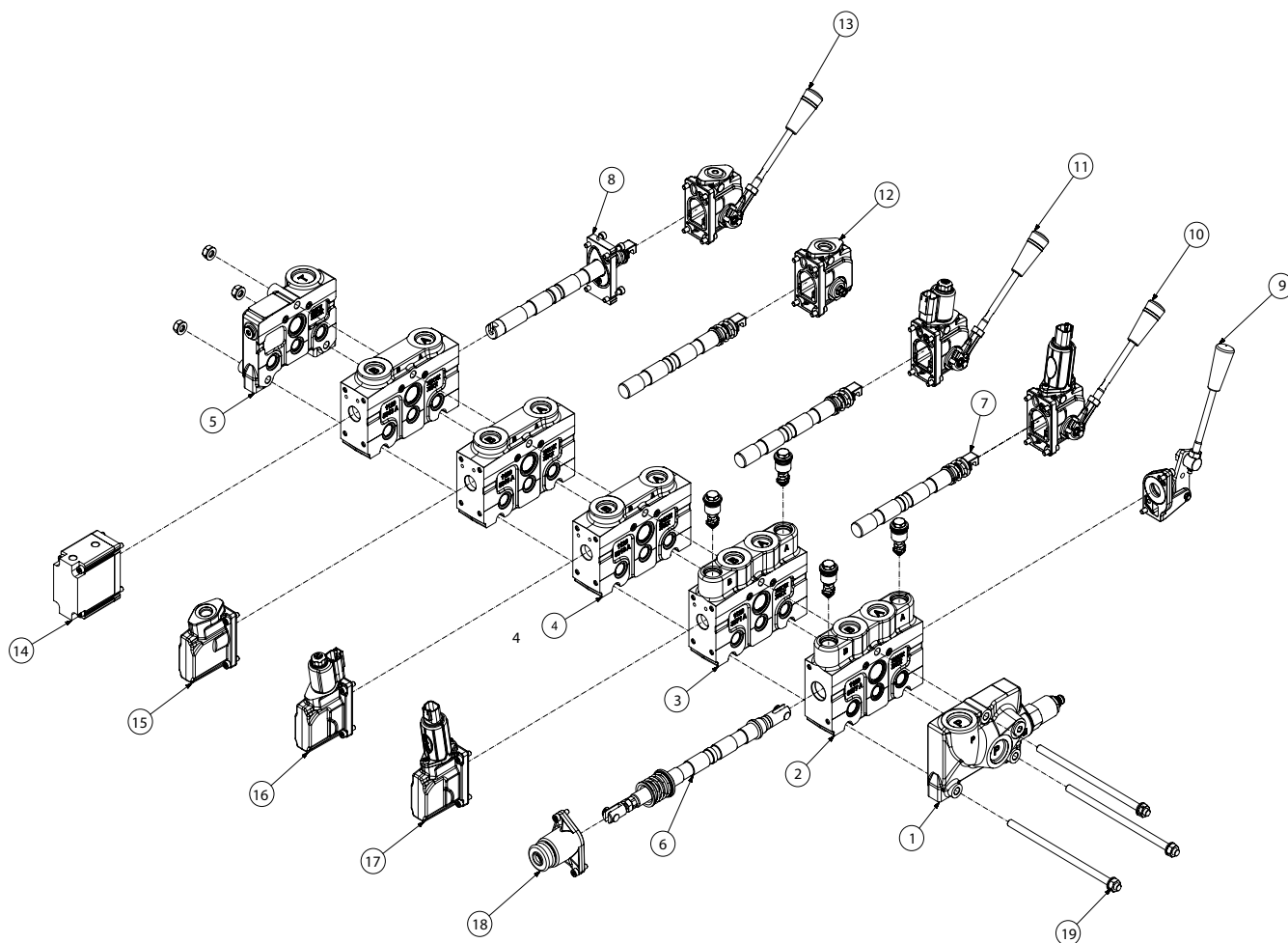
[Cost-free repairs, as mentioned in Danfoss General Conditions of Sale, are carried out only at Danfoss, or at service shops authorized by Danfoss.](#)

General information

Modules description

Use the illustration and list to identify module placement in the sample DVG product.

DVG valve stack exploded view



1. DVP, pump module
2. DVB, mechanical medium body
3. DVB, electro-hydraulic medium body
4. DVB, electro-hydraulic low body
5. DVT, tank module
6. DVBS, mechanical spool
7. DVBS, electro-hydraulic spool
8. DVBS, pneumatic spool
9. DVOS, mechanical lever
10. DVHC, electro-hydraulic proportional actuator with lever
11. DVHCO, electro-hydraulic on/off actuator with lever
12. DVH, pilot hydraulic actuator with manual override
13. DVM, mechanical actuator with lever
14. DVPN, pneumatic actuator
15. DVH, pilot hydraulic actuator
16. DVHCO, electro-hydraulic on/off actuator

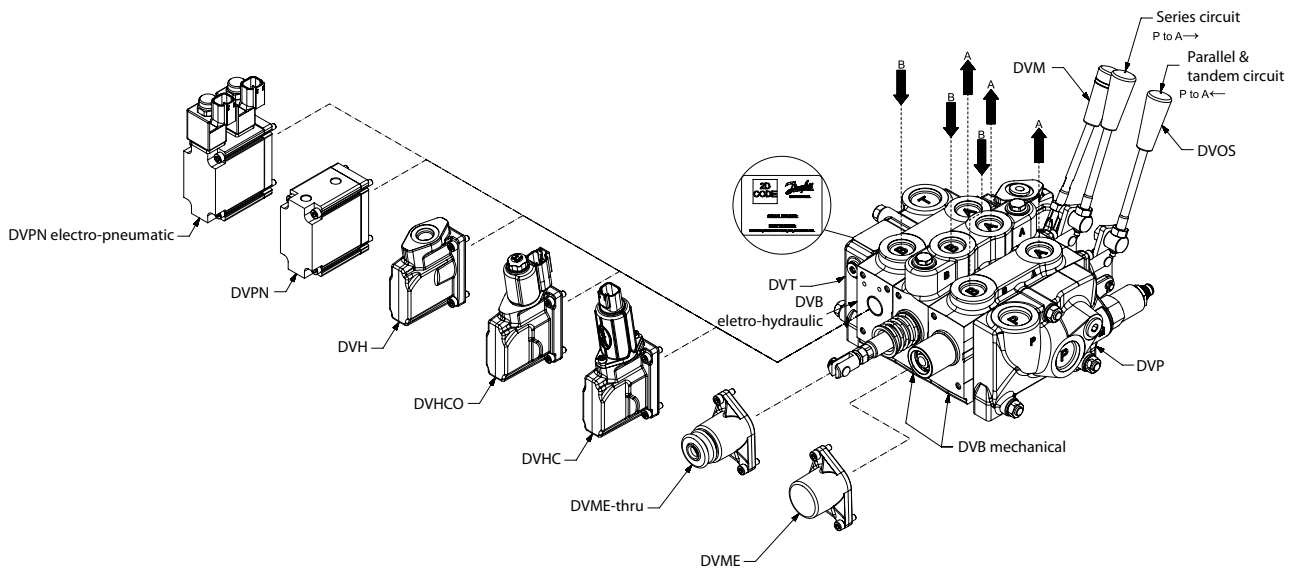
General information

- 17. DVHC, electro-hydraulic proportional actuator
- 18. DVME, spring center cover
- 19. DVAS, assembly kit

Stack valve identification

Labels on the unit identify the serial number and oil flow direction for standard assembled DVG 60 and 100 units.

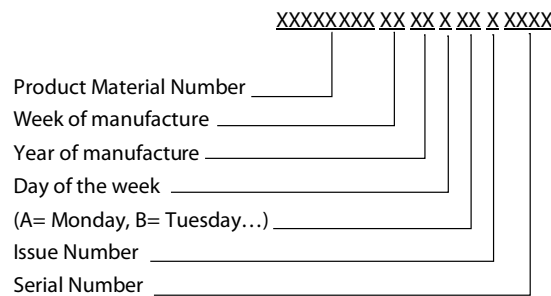
Standard DVG installations have a lever on A-port side. All levers can be option mounted at B-port side.



Stack valve identification label (tank module DVT)

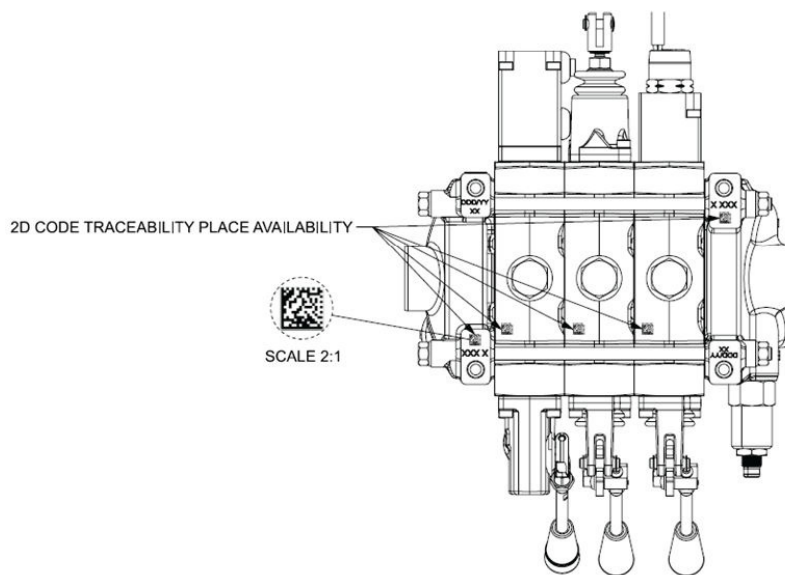


2D code traceability information

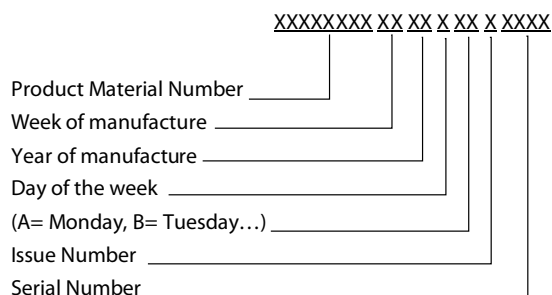


General information

Body identification



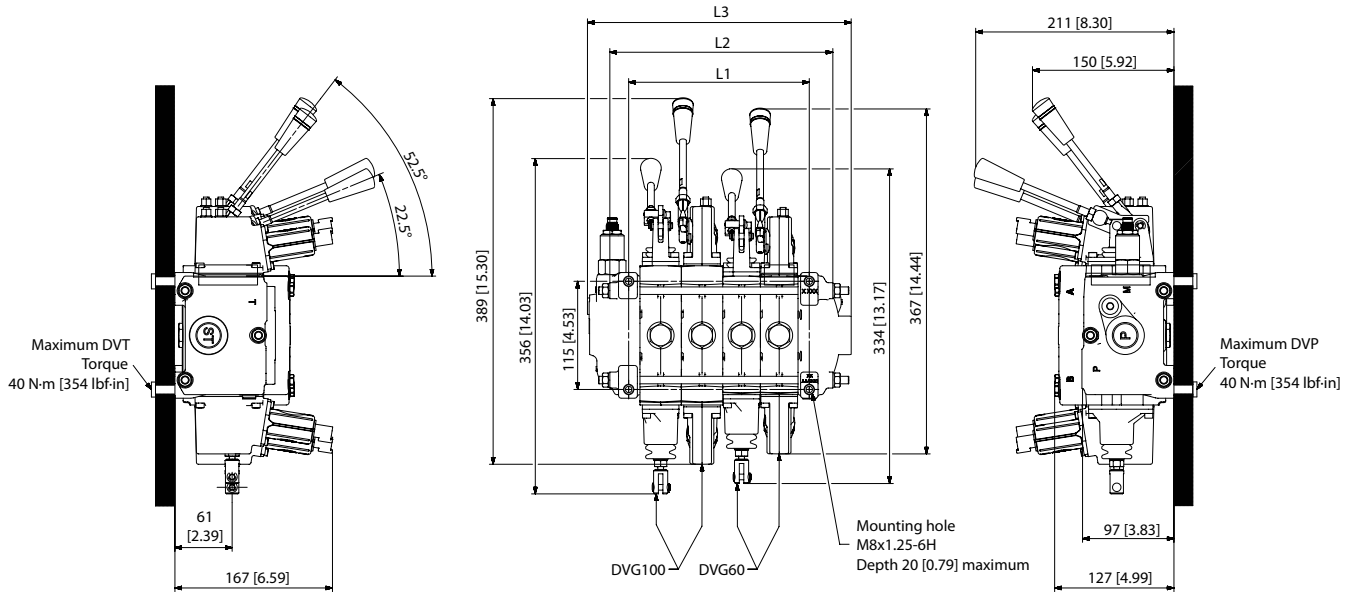
2D Code Traceability Information



General information

Installation

Installation dimensions are dependent on the number of DVB 60/100 body modules. Use the illustration and table below to determine installation dimensions.



DVB100 (Qty)	Dimension [mm]	DVB60 (Qty)													
		0	1	2	3	4	5	6	7	8	9	10	11	12	
0	L1	24	64	104	144	184	224	264	304	344	384	424	464	504	
	L2	69	109	149	189	229	269	309	349	389	429	469	509	549	
	L3	112	152	192	232	272	312	352	392	432	472	512	552	592	
1	L1	68	108	148	188	228	268	308	348	388	428	468	508	548	
	L2	113	153	193	233	273	313	353	393	433	473	513	553	593	
	L3	156	196	236	276	316	356	396	436	476	516	556	596	636	
2	L1	112	152	192	232	272	312	352	392	432	472	512	552		
	L2	157	197	237	277	317	357	397	437	477	517	557	597		
	L3	200	240	280	320	360	400	440	480	520	560	600	640		
3	L1	156	196	236	276	316	356	396	436	476	516	556			
	L2	201	241	281	321	361	401	441	481	521	561	601			
	L3	244	284	324	364	404	444	484	524	564	604	644			
4	L1	200	240	280	320	360	400	440	480	520					
	L2	245	285	325	365	405	445	485	525	565					
	L3	288	328	368	408	448	488	528	568	608					
5	L1	244	284	324	364	404	444	484	524						
	L2	289	329	369	409	449	489	529	569						
	L3	332	372	412	452	492	532	572	612						
6	L1	288	328	368	408	448	488	528							
	L2	333	373	413	453	493	533	573							
	L3	376	416	456	496	536	576	616							
7	L1	332	372	412	452	492	532								
	L2	377	417	457	497	537	577								
	L3	420	460	500	540	580	620								

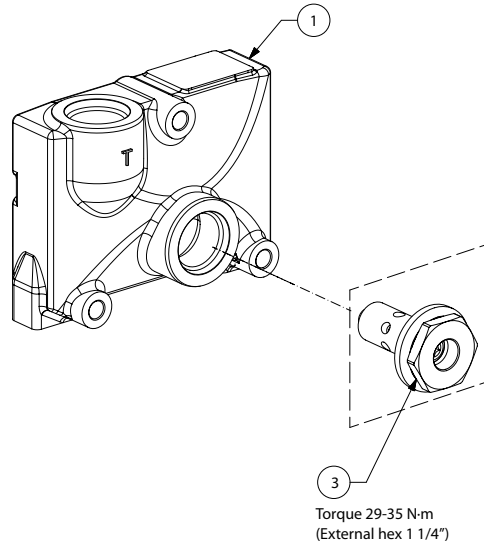
General information

DVB100 (Qty)	Dimension [mm]	DVB60 (Qty)												
		0	1	2	3	4	5	6	7	8	9	10	11	12
8	L1	376	416	456	496	536								
	L2	421	461	501	541	581								
	L3	464	504	544	584	624								
9	L1	420	460	500	540									
	L2	465	505	545	585									
	L3	508	548	588	628									
10	L1	464	504	544										
	L2	509	549	589										
	L3	552	592	632										
11	L1	508	548											
	L2	553	593											
	L3	596	636											
12	L1	552												
	L2	597												
	L3	640												

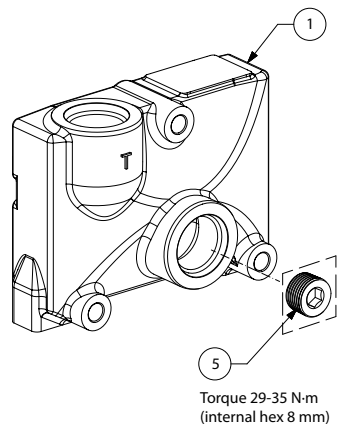
Body, valve, and spool service parts

Tank module side port configuration options

Back-pressure valve to build internal pilot pressure for electric actuators

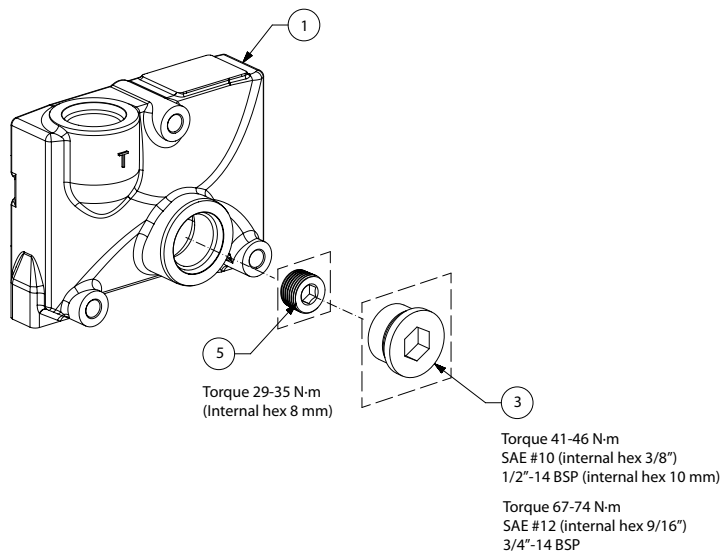


Power beyond plug (HPCO)



Body, valve, and spool service parts

Closed center circuit configuration, Bypass blocked



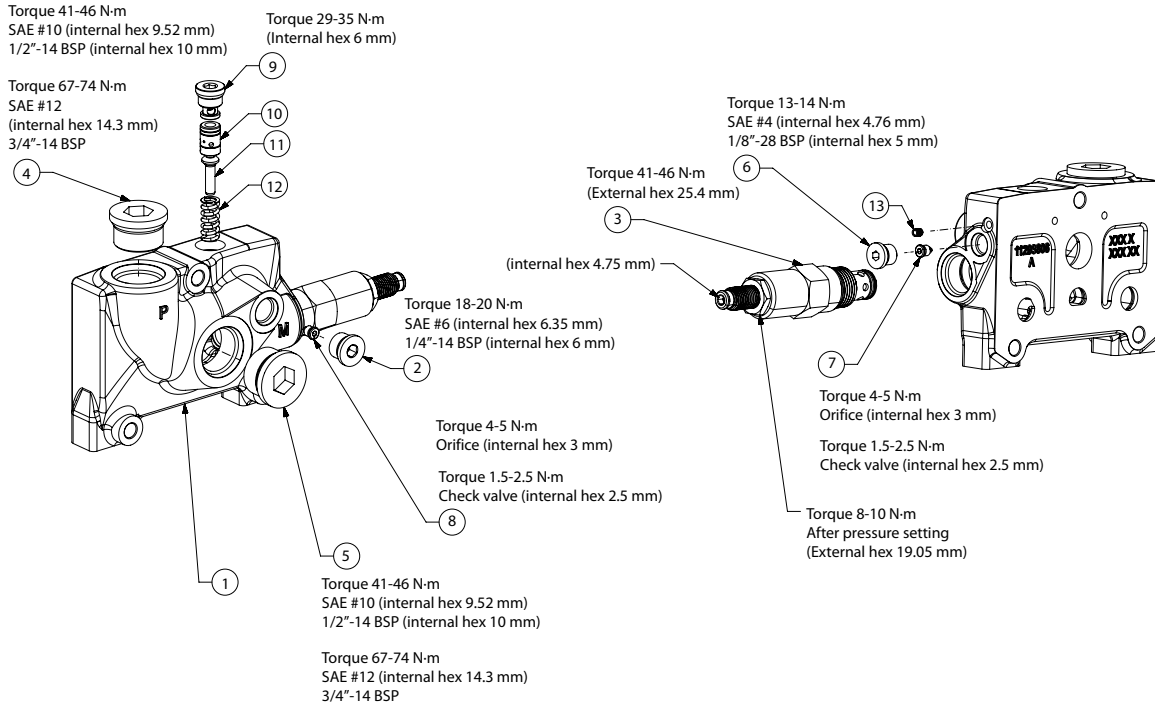
Code numbers and description

Item	Description	Code number	
1	Body	See TI	
3	Plug, side port	(SAE-10) 11335679	(SAE-12) 11306248
	Back pressure valve for electro-hydraulic actuation	11303009	
5	HPCO plug	11327515	

Body, valve, and spool service parts

DVP pump side module

Parts configuration



DVP kits

Description	Code number	P-port	M-port	PVPC-port	Reference
INLET with facility for relief valve, RV not included; without pilot supply	11297445	SAE-10	SAE-6	-	A
	11297450	SAE-12	SAE-6	-	
	11297472	G 1/2"	G 1/4"	-	
	11297437	G 3/4"	G 1/4"	-	
INLET with facility for relief valve, RV not included; with pilot supply	11297448	SAE-10	SAE-6	SAE-4	B
	11297463	SAE-12	SAE-6	SAE-4	
	11297473	G 1/2"	G 1/4"	G 1/8"	
	11297474	G 3/4"	G 1/4"	G 1/8"	

Parts list

Item	Description	Code number	Reference	
			A	B
1	Body	-	1	1
2	Plug, M-port	-	1	1
3	Relief valve/cavity plug	See options below	-	-
4	Plug, top P-port		-	-
5	Plug, side P-port		-	-
6	Plug, Pp-port	-	-	1
7	Check valve	-	-	-
8	Orifice, Pp-port	-	-	1
9-12	Pilot pressure reducing valve, PPRV 25 bar	11077272	-	1

Body, valve, and spool service parts

Relief valve options

Item	Description	Pressure range	Code number
3	Relief valve – internal adjustment	17 to 240 bar (250 to 3500 PSI)	11336548
	Relief valve – external adjustment	17 to 240 bar (250 to 3500 PSI)	11336535
	Relief valve – internal adjustment	35 to 350 bar (500 to 5000 PSI)	11336536
	Relief valve – external adjustment	35 to 350 bar (500 to 5000 PSI)	11336537
	Cavity plug	-	11154281

P-port plug options

Item	Description	Code number
4-5	SAE-10, plug	11335679
	SAE-12, plug	11306248

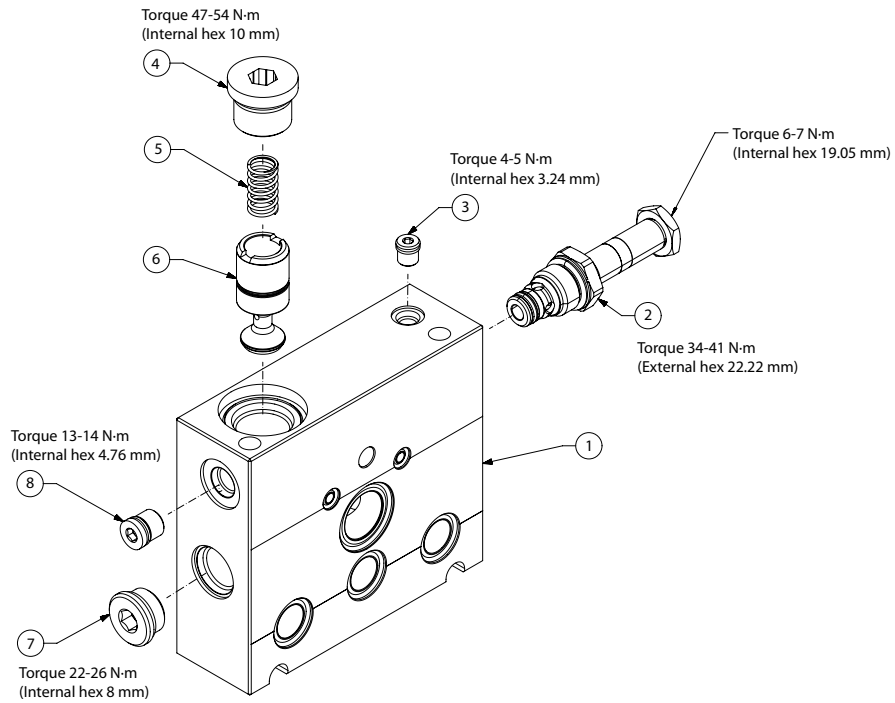
DVP inlet seal kit

Type	Code number
DVP, service kit	11322161

Body, valve, and spool service parts

FFD full flow dump module

Parts configuration



FFD kit

Description	Code number	Reference
Full Flow dump module	11321232	A

Parts list

Item	Description	Code number	Reference
			A
1	Body	-	1
2	Bi-directional, normally closed solenoid valve	See coil options table	1
3	Plug	-	1
4	Plug	-	1
5	Spring	-	1
6	Dump spool	-	1
7	Plug	-	1
8	Plug	-	1

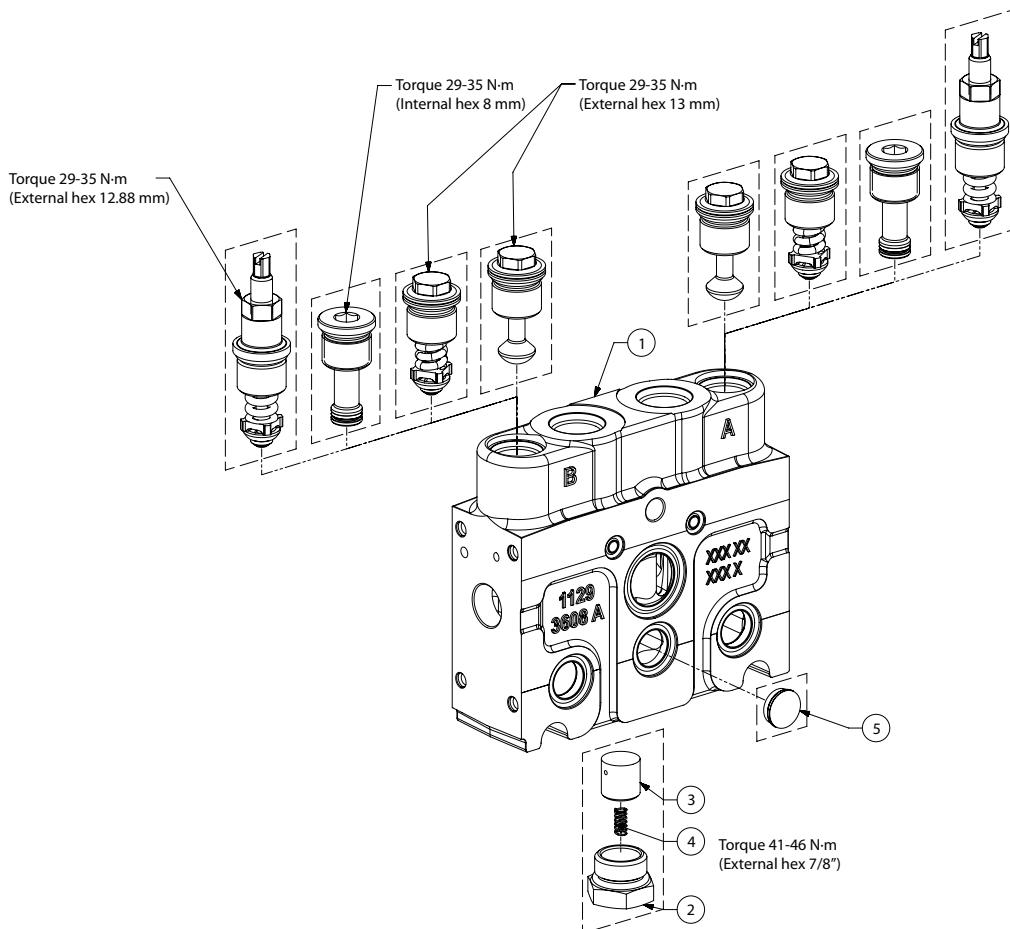
Coil options, DEUTSCH connector

Item	Description	Code number
2	Coil, 12 Vdc	11335705
	Coil, 24 Vdc	11335706

Body, valve, and spool service parts

DVB basic module

Parts configuration



DVB kits

Type	Description	Code number	Circuit	A/B - Port	Reference
DVB60 mechanical	Low body without facilities for PVLP/PVLA	11298172	Parallel	SAE-8	A
		11298164	Parallel	G 3/8"	
DVB60 mechanical	Medium body with facilities for PVLP/PVLA	11298154	Parallel	SAE-8	B
		11298165	Parallel	G 3/8"	
		11298156	Tandem	SAE-8	
		11298174	Tandem	G 3/8"	
		11298163	Series	SAE-8	
		11298175	Series	G 3/8"	
DVB60 electric	Low body without facilities for PVLP/PVLA	11298440	Parallel	SAE-8	C
		11298430	Parallel	G 3/8"	

Body, valve, and spool service parts

DVB kits (continued)

Type	Description	Code number	Circuit	A/B - Port	Reference
DVB60 electric	Medium body with facilities for PVLP/PVLA	11298441	Parallel	SAE-8	D
		11298430	Parallel	G 3/8"	
		11298427	Tandem	SAE-8	
		11298453	Tandem	G 3/8"	
		11298428	Series	SAE-8	
		11298454	Series	G 3/8"	
DVB100 mechanical	Low body without facilities for PVLP/PVLA	11298449	Parallel	SAE-10	E
		11298451	Parallel	G 1/2"	
DVB100 mechanical	Medium body with facilities for PVLP/PVLA	11298450	Parallel	SAE-10	F
		11298472	Parallel	G 1/2"	
		11298466	Tandem	SAE-10	
		11298474	Tandem	G 1/2"	
		11298467	Series	SAE-10	
		11298475	Series	G 1/2"	
	With float seal plate	11301988	Series	SAE-10	G
		11301989	Series	G 1/2"	
DVB100 electric	Low body without facilities for PVLP/PVLA	11298487	Parallel	SAE-10	H
		11298492	Parallel	G 1/2"	
DVB100 electric	Medium body with facilities for PVLP/PVLA	11298488	Parallel	SAE-10	I
		11298493	Parallel	G 1/2"	
		11298460	Tandem	SAE-10	
		11298480	Tandem	G 1/2"	
		11298461	Series	SAE-10	
		11298481	Series	G 1/2"	
	With float seal plate	11302117	Series	SAE-10	J
		11302118	Series	G 1/2"	

Parts list

Item	Description	Code number	Reference									
			A	B	C	D	E	F	G	H	I	J
1	Body	-	1	1	1	1	1	1	1	1	1	1
2	Load check, Plug w O-ring	-	1	1	1	1	1	1	1	1	1	1
3	Load check, Spool	-	1	1	1	1	1	1	1	1	1	1
4	Load check, Spring	-	1	1	1	1	1	1	1	1	1	1
5	Tandem, plug	-	-	1	-	1	-	1	-	-	1	-

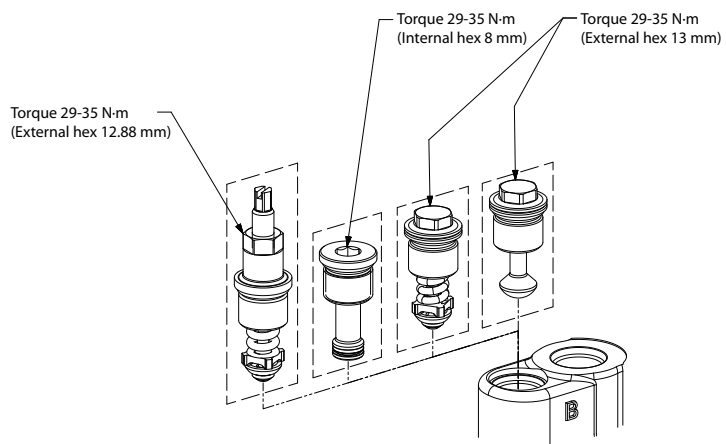
DVB, basic module set of seals

Type	Code number
DVB, service kit	11177712

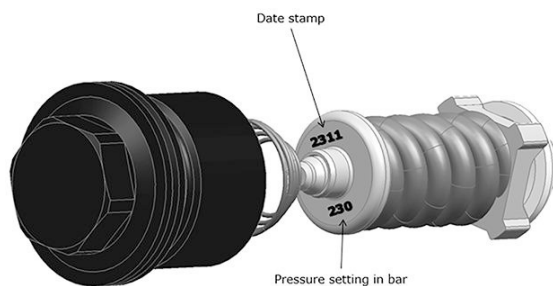
Body, valve, and spool service parts

PVLP shock and PVLA suction valves

Parts configuration



PVLP/PVLA



Body, valve, and spool service parts

Parts list

Type	Part number
PVLA	157B2001
Fixed PVLP	157B2032
	157B2050
	157B2063
	157B2080
	157B2100
	157B2125
	157B2140
	157B2150
	157B2160
	157B2175
	157B2190
	157B2210
	157B2230
	157B2240
	157B2250
	Adjustable PVLP
11006595 (251 -285 bar [3640-4134 psi])	
Cavity plug	11177714
Dead engine needle valve	11317983*

* Emergency valve to open manually work port to tank

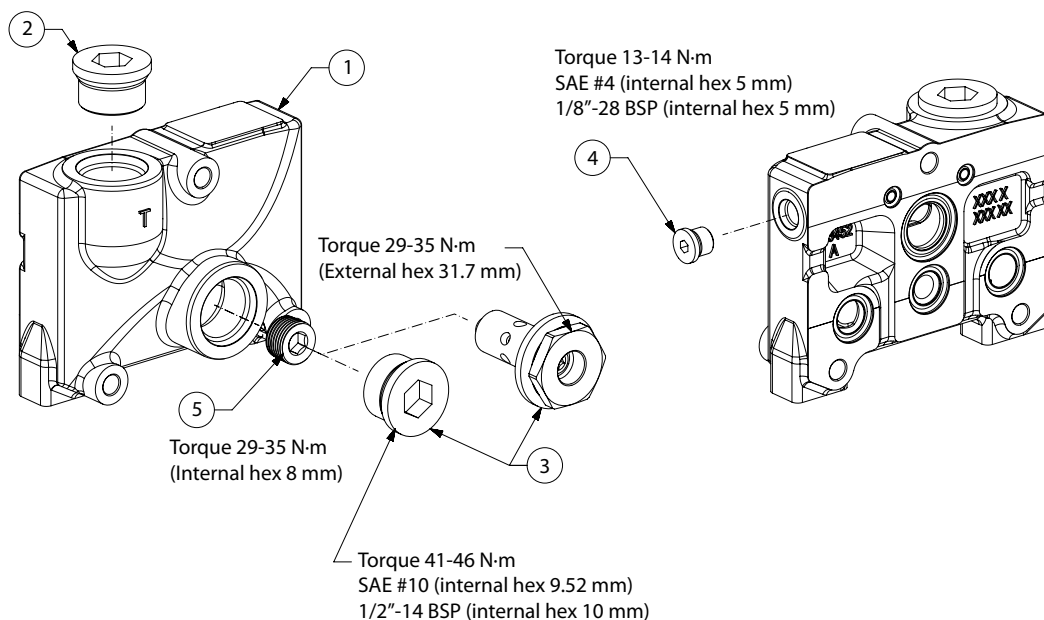
Body, valve, and spool service parts

DVT tank module

Parts configuration

Torque 41-46 N-m
 SAE #10 (internal hex 9.52 mm)
 1/2" BSP (internal hex 10 mm)

Torque 67-74 N-m
 SAE #12 (internal hex 14.3 mm)
 3/4"-14 BSP



DVT kits

Description	Code number	T-port	Pneumatic/Pp port	Reference
Outlet without side port/ back pressure valve facility	11297700	SAE-10	SAE-4	A
	11297701	SAE-12	SAE-4	
Outlet with side port/ back pressure valve facility	11297722	SAE-10	SAE-4	B
	11297723	SAE-12	SAE-4	
	11297724	G 1/2"	G 1/8"	
	11297713	G 3/4"	G 1/8"	

Parts list

Item	Description	Code number	Reference	
			A	B
1	Body	-	1	1
2	Plug, top port	See options below	-	-
3	Plug, side port		-	-
	Back pressure valve for electro-hydraulic actuation	11303009	-	-
4	Plug, pneumatic / pilot port	-	1	1
5	HPCO plug	11327515	-	-

Body, valve, and spool service parts

T-port plug options

Item	Description	Code number
2-3	SAE-10, plug	11335679
	SAE-12, plug	11306248

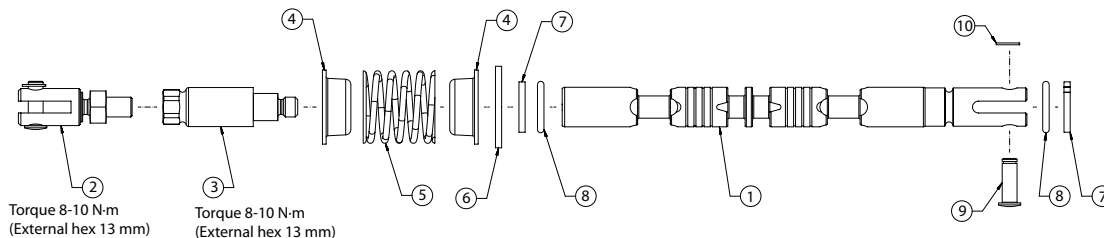
DVT tank module set of seals

Type	Code number
DVT, Service Kit	11322172

Body, valve, and spool service parts

DVBS mechanical spring center spools

Parts configuration



DVBS spring center kits

Description	Reference
Mechanical flow control spool, female extension	A
Mechanical flow control spool, female extension and through acting	B

Parts list

Item	Description	Code number	Reference	
			A	B
1	Spool	-	1	1
2	Female extension	050548	-	1
3	Screw	-	1	1
4	Spring stop	-	2	2
5	Spring	-	1	1
6	Steel washer	-	1	1
7	Backup ring	-	2	2
8	O-ring	-	2	2
9	Pin	-	1	1
10	Retain ring	-	1	2

[For DVBS spool part numbers, see the DVG Technical Information.](#)

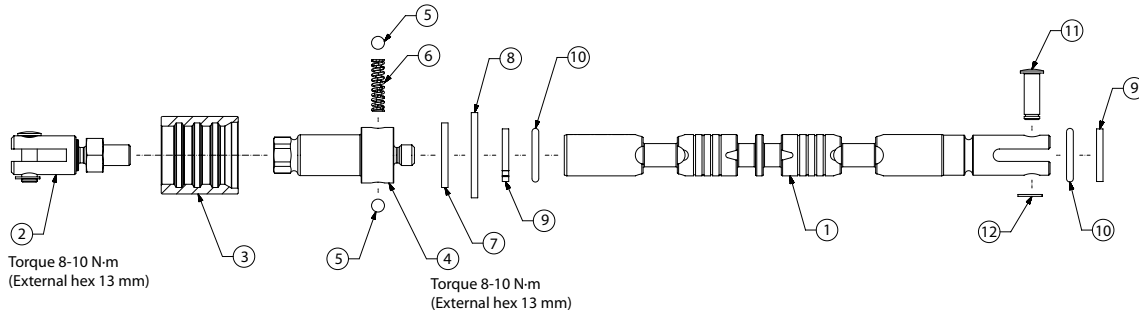
DVBS mechanical spool set of seals

Type	Code number
DVBS 60, service kit	11332736
DVBS 100, service kit	11322163

Body, valve, and spool service parts

DVBS mechanical detent 03 position spools

Parts configuration



DVBS kits

Description	Reference
Mechanical flow control spool, female extension and detent 03 position	A
Mechanical flow control spool, female extension, detent 03 position and through acting	B

Parts list

Item	Description	Code number	Reference	
			A	B
1	Spool	-	1	1
2	Female extension	050548	-	1
3	Detent bushing	-	1	1
4	Screw	-	1	1
5	Ball 5mm, DIN 5401	-	2	2
6	Detent spring	-	1	1
7	Steel washer	-	1	1
8	Steel washer	-	1	1
9	Backup ring	-	2	2
10	O-ring	-	2	2
11	Pin	-	1	1
12	Retain ring	-	1	2

[For DVBS spool part numbers, see the DVG Technical Information.](#)

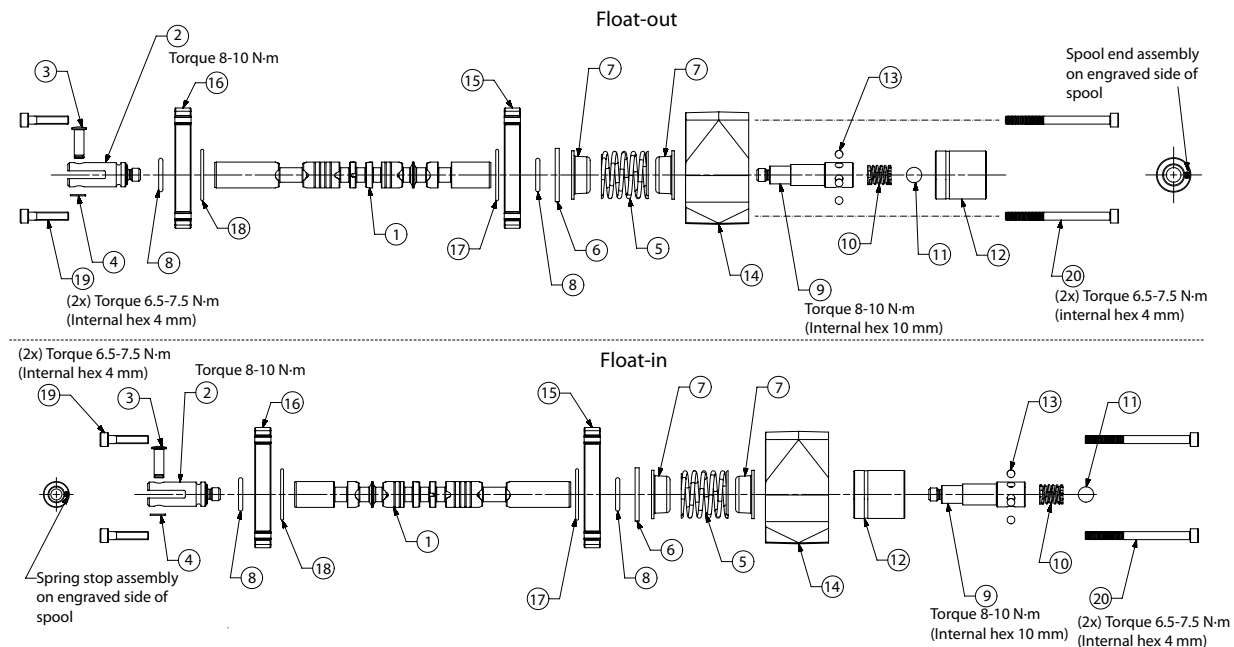
DVBS mechanical spool set of seals

Type	Code number
DVBS 60, Service Kit	11332736
DVBS 100, Service kit	11322163

Body, valve, and spool service parts

DVBS mechanical float spools

Parts configuration



DVBS kits

Description	Reference
DVBS60, mechanical flow control spool, female extension, detent float in	A
DVBS60, mechanical flow control spool, female extension, detent float out	B
DVBS100, mechanical flow control spool, female extension, detent float in	C
DVBS100, mechanical flow control spool, female extension, detent float out	D

Parts list

Item	Description	Code number	Reference			
			A	B	C	D
1	Spool	-	1	1	1	1
2	Female extension	-	1	1	1	1
3	Pin	-	1	1	1	1
4	Retain ring	-	1	1	1	1
5	Spring	-	1	1	1	1
6	Steel washer	-	1	1	1	1
7	Spring stop	-	2	2	2	2
8	O-ring	-	2	2	2	2
9	Screw	-	1	1	1	1
10	Detent spring	-	1	1	1	1
11	Ball 3/8", DIN 5401	-	1	1	1	1
12	Detent bushing	-	1	1	1	1
13	Ball 5mm, DIN 5401	-	3	3	3	3
14	Spacer	-	1	1	1	1

Body, valve, and spool service parts

Parts list (continued)

Item	Description	Code number	Reference			
			A	B	C	D
15-16	Seal plate	-	2	2	2	2
17-18	O-ring	-	2	2	2	2
19	Screw, DIN912 M5x0.8x25 8.8 ZINC	-	2	2	2	-
20	Screw, DIN912 M5x0.8x65 12.9	-	2	2	-	2
	Screw, DIN912 M5x0.8x55 8.8-ZINC	-	-	-	2	-

[For DVBS spool part numbers, see the DVG Technical Information.](#)

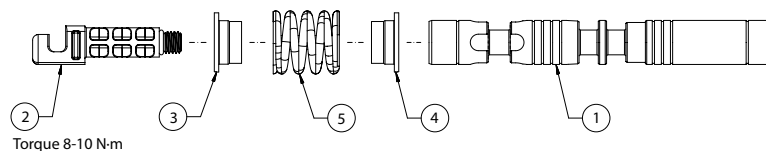
DVBS mechanical spool set of seals

Type	Code number
DVBS 60, service kit	11332736
DVBS 100, service kit	11322163

Body, valve, and spool service parts

DVBS electro-hydraulic proportional and on/off spools

Parts configuration



DVBS kits

Description	Reference
EH proportional flow control spool	A
EH On/Off flow control spool	B

Parts list

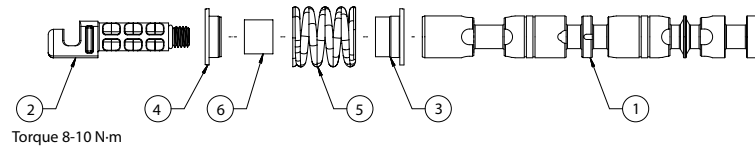
Item	Description	Code number	Reference	
			A	B
1	Spool	-	1	1
2	Screw	-	1	1
3-4	Spring stop	-	2	2
5	Spring	-	1	1

[For DVBS spool part numbers, see the DVG Technical Information.](#)

Body, valve, and spool service parts

DVBS electro-hydraulic proportional float spool

Parts configuration



DVBS kits

Description	Reference
EH proportional flow control spool, float out	A

Parts list

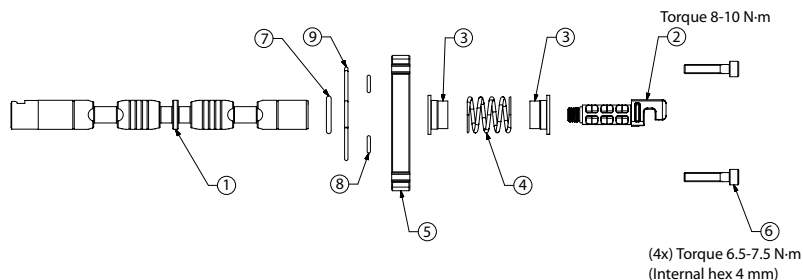
Item	Description	Code number	Reference
			A
1	Spool	-	1
2	Screw	-	1
3	Spring stop	-	1
4	Spring stop	-	1
5	Spring	-	1
6	Float spacer	-	1

[For DVBS spool part numbers, see the DVG Technical Information.](#)

Body, valve, and spool service parts

DVBS pneumatic flow control spool

Parts configuration



DVBS kits

Description	Reference
Pneumatic flow control spool	A

Parts list

Item	Description	Code number	Reference
			A
1	Spool	-	1
2	Screw	-	1
3	Spring stop	-	2
4	Spring	-	1
5	Seal plate	-	1
6	Screw, DIN912 M5x0.8x25 8.8 ZINC	-	4
7	O-ring	-	1
8	O-ring	-	2
9	O-ring	-	1

[For DVBS spool part numbers, see the DVG Technical Information.](#)

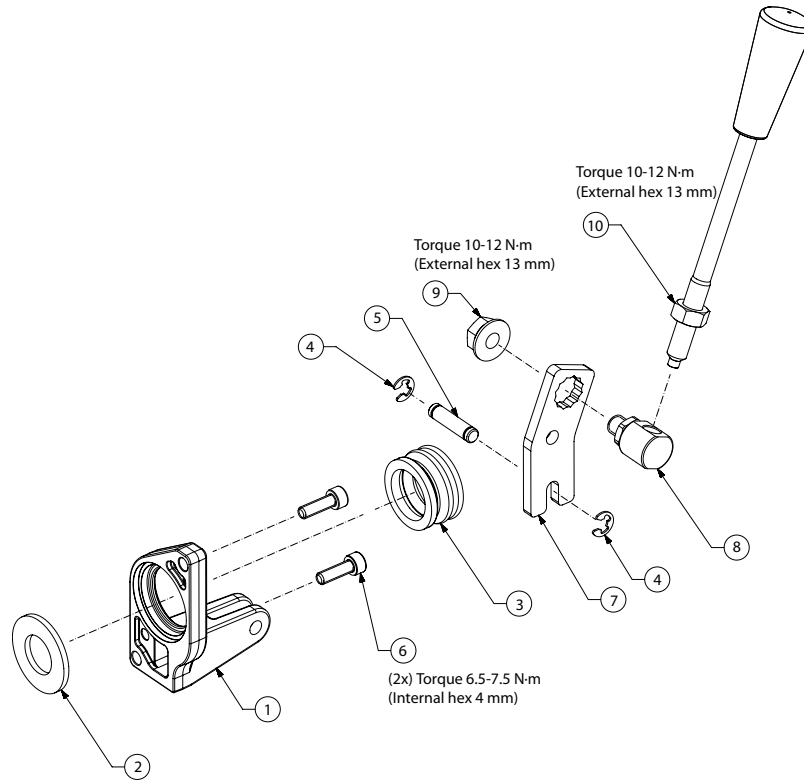
DVBS pneumatic spool set of seals

Type	Code number
DVBS 60, Service Kit	11322173
DVBS 100, Service kit	11332737

Actuator service parts

DVOS open spool mechanical actuators

Parts configuration



DVOS kits

Description	Code number	Reference
DVOS60 actuator, mechanical	11319128	A
DVOS60 actuator, mechanical lever	11319114	B
DVOS60 actuator, robust lever	11319116	C
DVOS100 actuator, mechanical	11319385	D
DVOS100 actuator, mechanical lever	11319386	E
DVOS100 actuator, robust lever	11319346	F

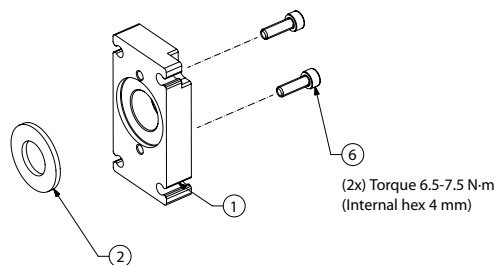
Parts list

Item	Description	Code number	Reference					
			A	B	C	D	E	F
1	Housing	-	1	1	1	1	1	1
2	Steel washer	-	1	1	1	1	1	1
3	Rubber boot	11177717	1	1	1	1	1	1
4	Retainer ring	-	2	2	2	2	2	2
5	Pin	-	1	1	1	1	1	1
6	Screw, DIN912 M5x0.8x16 8.8 Zinc	-	2	2	2	2	2	2
7-10	Mechanical lever	11170923	-	1	-	-	1	-
7-10	Robust lever	11194826	-	-	1	-	-	1

Actuator service parts

DVOS open spool cable actuators

Parts configuration



DVOS kits

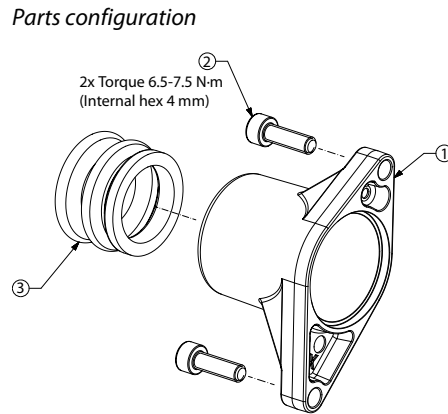
Type	Description	Code number	Reference
DVOS	DVOS60 cable actuator	11319115	A
	DVOS100 cable actuator	11300158	B

Parts list

Item	Description	Code number	Reference	
			A	B
1	Flange	-	1	1
2	Steel washer	-	1	1
6	SCREW-SOC, DIN912 M5x0.8x16 8.8 Zinc	-	2	2

Actuator service parts

DVME spring center/detent



DVME kits

Description	Code number	Reference
DVME, cover	11320738	A
DVME, through cover	11320718	B

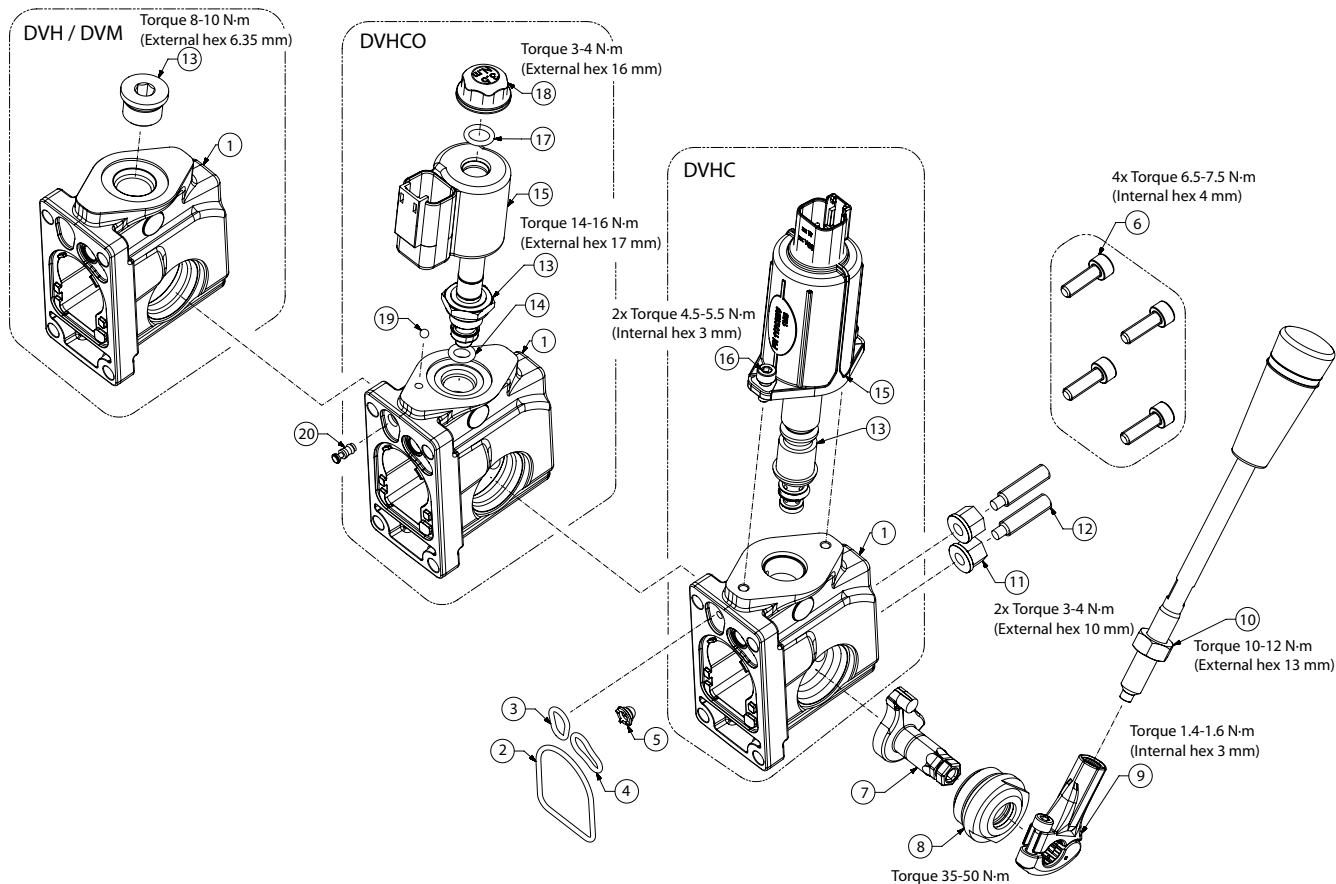
Parts list

Item	Description	Code number	Reference	
			A	B
1	Cover	-	1	1
2	Screw, DIN912 M5x0.8x16 8.8 Zinc	-	2	2
3	Rubber boot	11177717	-	1

Actuator service parts

DVM mechanical actuator

Parts configuration



DVM kit

Description	Port size	Code number	Reference
DVM, S6 mechanical actuator and lever	SAE-6	11321883	A

Parts list

Item	Description	Code number	Reference
			A
1	Body	-	1
2	Profile ring	-	1
3	Profile ring	-	1
4	Profile ring	-	1
5	Filter	-	1
7	Catcher	-	1
8	Bushing	-	1
9	Base lever	-	1
10	Lever	-	1
13	Plug, S6	-	1

Actuator service parts

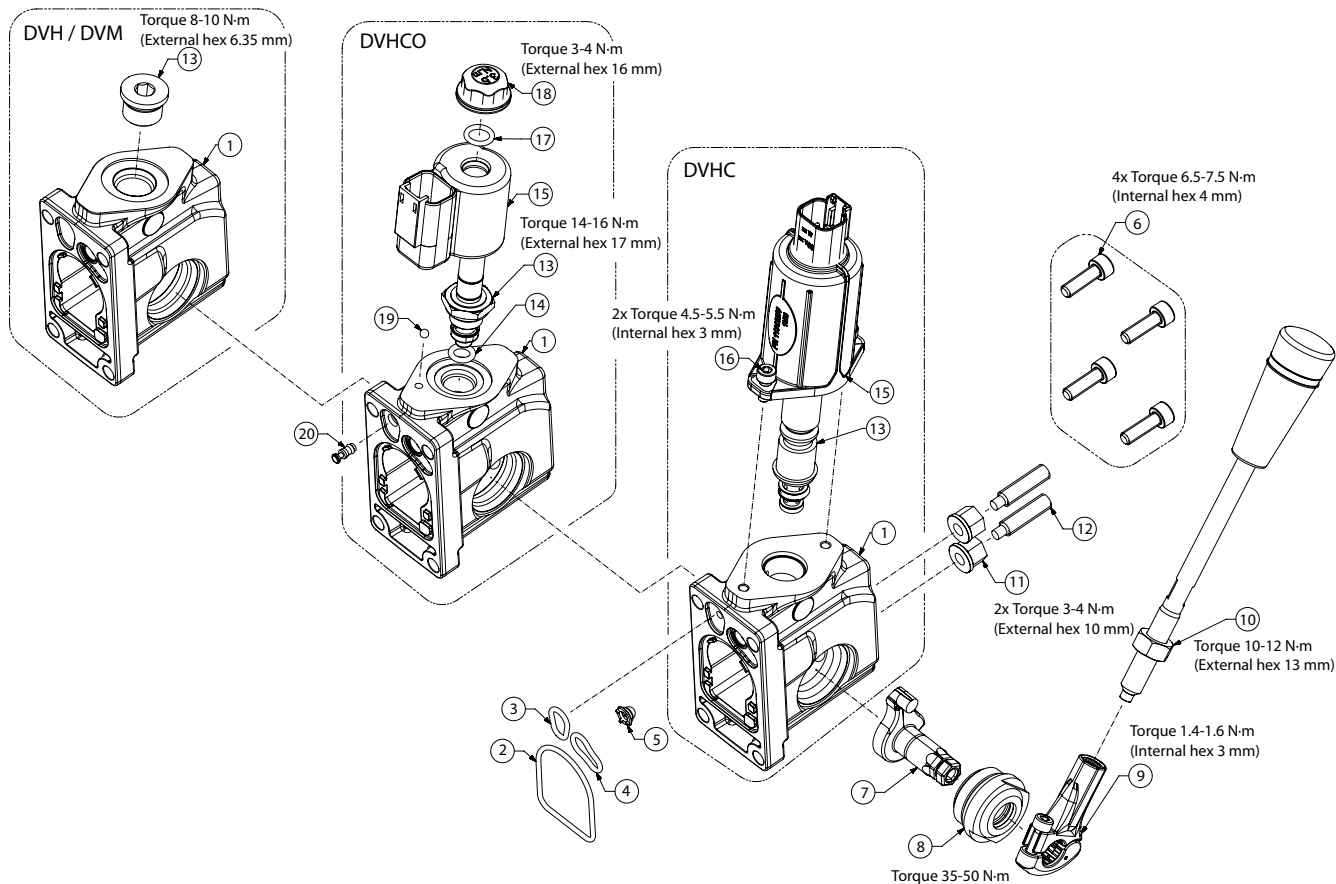
DVM set of seals

Type	Code number
DVH, DVM, DVHC & DVHCO service kit (Items 2-6, 11)	11322164

Actuator service parts

DVH hydraulic actuators

Parts configuration



DVH kits

Description	Port size	Code number	Reference
DVH, S6 actuator	SAE-6	11300860	A
DVH, S6 hex actuator (with manual override)	SAE-6	11300861	B
DVH, G1/4 actuator	G 1/4	11300827	C
DVH, G1/4 actuator (with manual override)	G 1/4	11300828	D

Parts list

Item	Description	Code number	Reference			
			A	B	C	D
1	Body	-	1	1	1	1
2	Profile ring	-	1	1	1	1
3	Profile ring	-	1	1	1	1
4	Profile ring	-	1	1	1	1
5	Filter	-	1	1	1	1
6	SCREW-SOC, DIN912 M5x0.8x16 8.8 Zinc	-	4	4	4	4
7	Catcher	-	-	1	-	1
8	Bushing	-	-	1	-	1

Actuator service parts

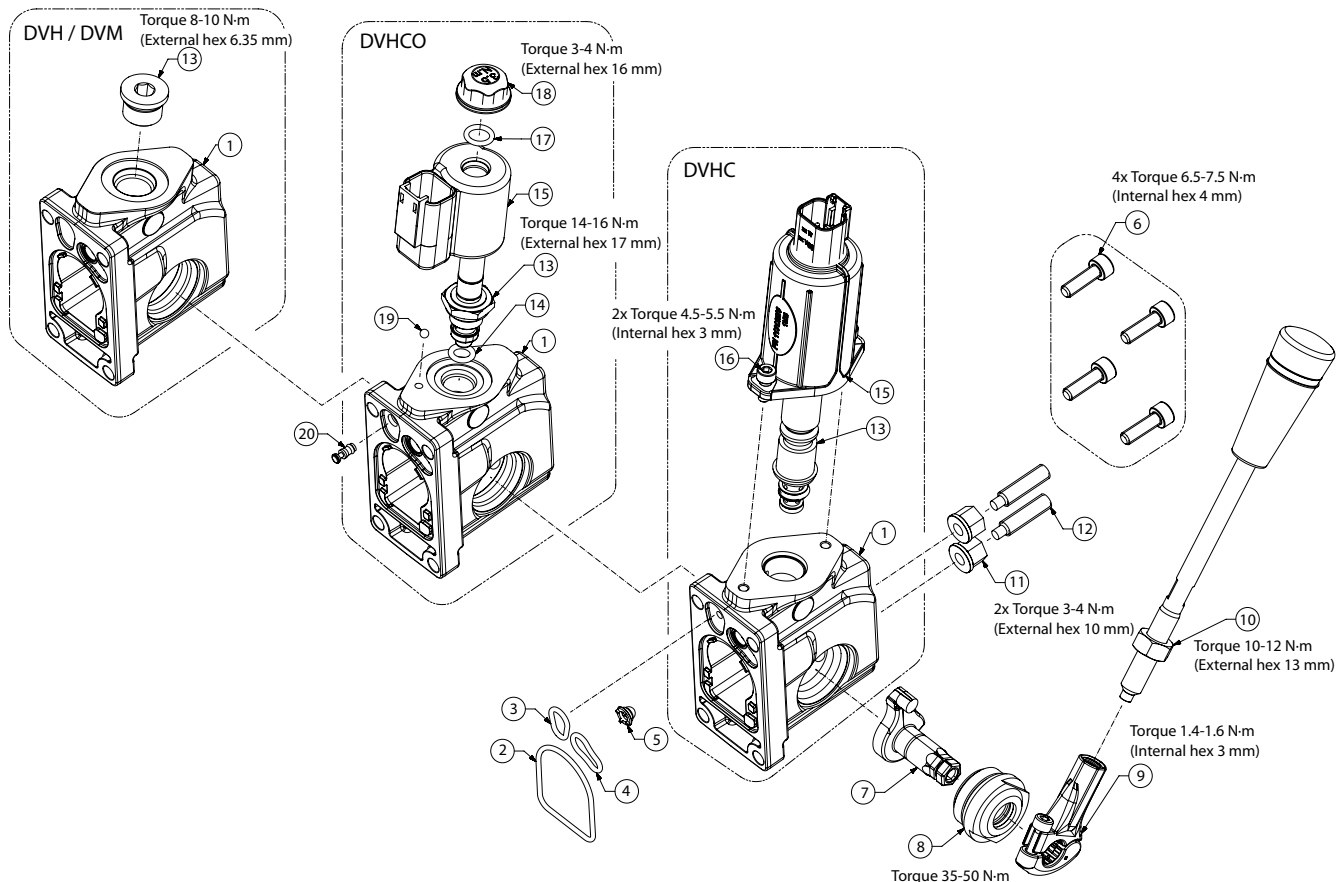
DVH set of seals

Type	Code number
DVH, DVM, DVHC & DVHCO service kit (Items 2-6, 11)	11322164

Actuator service parts

DVHCO on/off electrical actuators

Parts configuration



DVHCO kits

Description	Code number	Reference
DVHCO actuator, 12V	11320696	A
DVHCO actuator, 12V hex	11320726	B
DVHCO actuator, 12V with lever	11320690	C
DVHCO actuator, 12V adj. hex	11320691	D
DVHCO actuator, 12V with adj. lever	11320699	E
DVHCO actuator, 24V	11320732	F
DVHCO actuator, 24V hex	11320727	G
DVHCO actuator, 24V with lever	11320733	H
DVHCO actuator, 24V adj. hex	11320697	I
DVHCO actuator, 24V with adj. lever	11320698	J

Parts list

Item	Description	Code number	Reference									
			A	B	C	D	E	F	G	H	I	J
1	Body	-	1	1	1	1	1	1	1	1	1	1
2	Profile ring	-	1	1	1	1	1	1	1	1	1	1

Actuator service parts

Parts list (continued)

Item	Description	Code number	Reference									
			A	B	C	D	E	F	G	H	I	J
3	Profile ring	-	1	1	1	1	1	1	1	1	1	1
4	Profile ring	-	1	1	1	1	1	1	1	1	1	1
5	Filter	-	1	1	1	1	1	1	1	1	1	1
6	Screw, DIN912 M5x0.8x16 8.8 Zinc	-	4	4	4	4	4	4	4	4	4	4
7	Catcher	-	-	1	1	1	1	-	1	1	1	1
8	Bushing	-	-	1	1	1	1	-	1	1	1	1
9	Base lever	-	-	-	1	-	1	-	-	1	-	1
10	Lever	-	-	-	1	-	1	-	-	1	-	1
11	Seal nut	-	-	-	-	2	2	-	-	-	2	2
12	Screw	-	-	-	-	2	2	-	-	-	2	2
13	Cartridge	-	1	1	1	1	1	1	1	1	1	1
14	O-ring	-	1	1	1	1	1	1	1	1	1	1
15	Coil	-	1	1	1	1	1	1	1	1	1	1
17	O-ring	-	1	1	1	1	1	1	1	1	1	1
18	Nut	-	1	1	1	1	1	1	1	1	1	1
20	Orifice	-	1	1	1	1	1	1	1	1	1	1

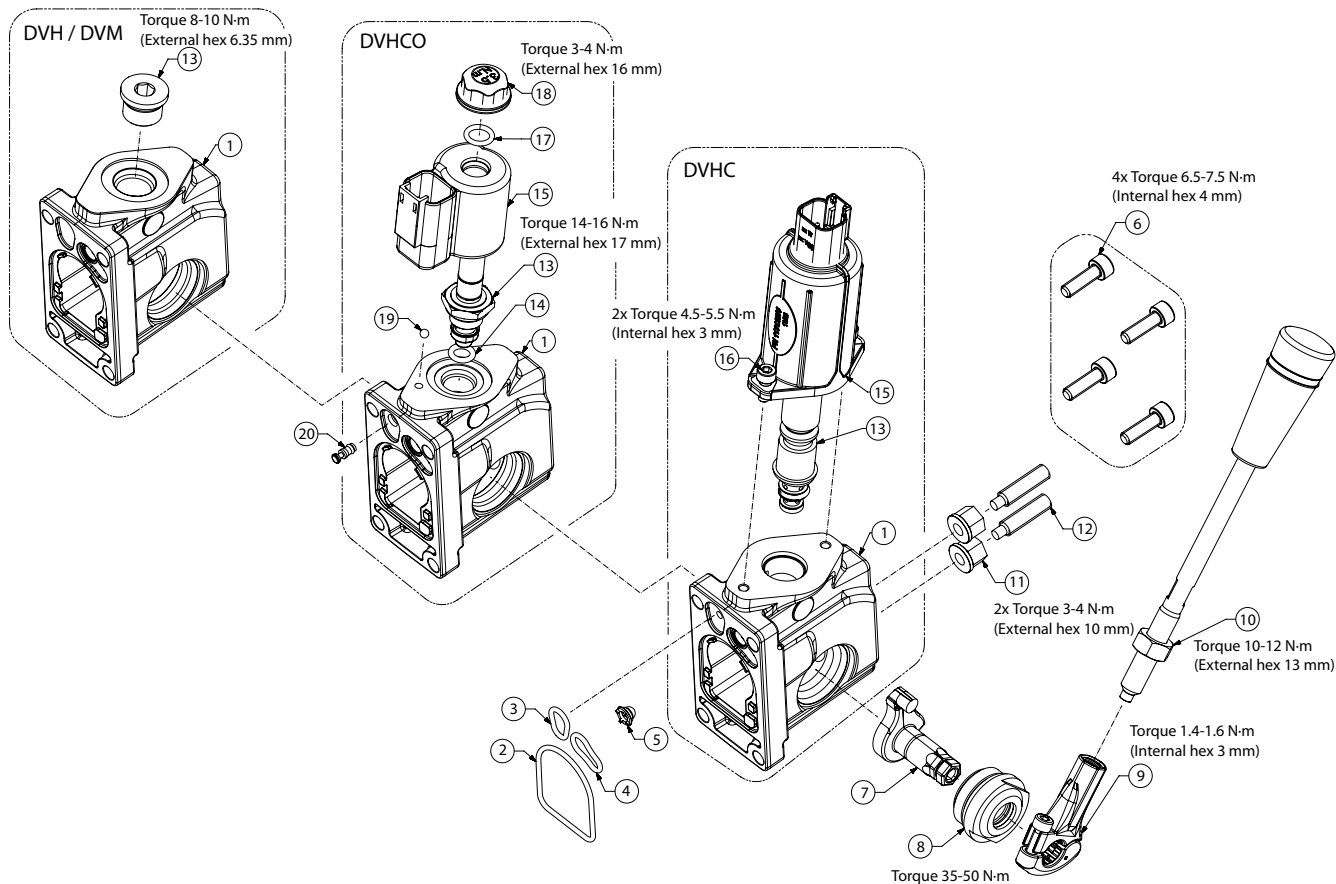
DVHCO set of seals

Type	Code number
DVH, DVM, DVHC & DVHCO service kit (Items 2-6, 11)	11322164

Actuator service parts

DVHC proportional electrical actuator

Parts configuration



DVHC kits

Description	Code number	Reference
DVHC actuator, 12V	11299597	A
DVHC actuator, 12V hex	11299598	B
DVHC actuator, 12V with lever	11299599	C
DVHC actuator, 12V adj. hex	11299614	D
DVHC actuator, 12V with adj. lever	11299615	E
DVHC actuator, 24V	11299616	F
DVHC actuator, 24V hex	11299624	G
DVHC actuator, 24V with lever	11299625	H
DVHC actuator, 24V adj. hex	11299626	I
DVHC actuator, 24V with adj. lever	11299627	J

Parts list

Item	Description	Code number	Reference									
			A	B	C	D	E	F	G	H	I	J
1	Body	-	1	1	1	1	1	1	1	1	1	1
2	Profile ring	-	1	1	1	1	1	1	1	1	1	1

Actuator service parts

Parts list (continued)

Item	Description	Code number	Reference									
			A	B	C	D	E	F	G	H	I	J
3	Profile ring	-	1	1	1	1	1	1	1	1	1	1
4	Profile ring	-	1	1	1	1	1	1	1	1	1	1
5	Filter	-	1	1	1	1	1	1	1	1	1	1
6	Screw, DIN912 M5x0.8x16 8.8 Zinc	-	4	4	4	4	4	4	4	4	4	4
7	Catcher	-	-	1	1	1	1	-	1	1	1	1
8	Bushing	-	-	1	1	1	1	-	1	1	1	1
9	Base lever	-	-	-	1	-	1	-	-	1	-	1
10	Lever	-	-	-	1	-	1	-	-	1	-	1
11	Seal nut	-	-	-	-	2	2	-	-	-	2	2
12	Screw	-	-	-	-	2	2	-	-	-	2	2
13	Cartridge	-	1	1	1	1	1	1	1	1	1	1
15	Coil	-	1	1	1	1	1	1	1	1	1	1
16	SCREW-SOC, DIN912 M4x0.7x10 8.8 Zinc	-	2	2	2	2	2	2	2	2	2	2

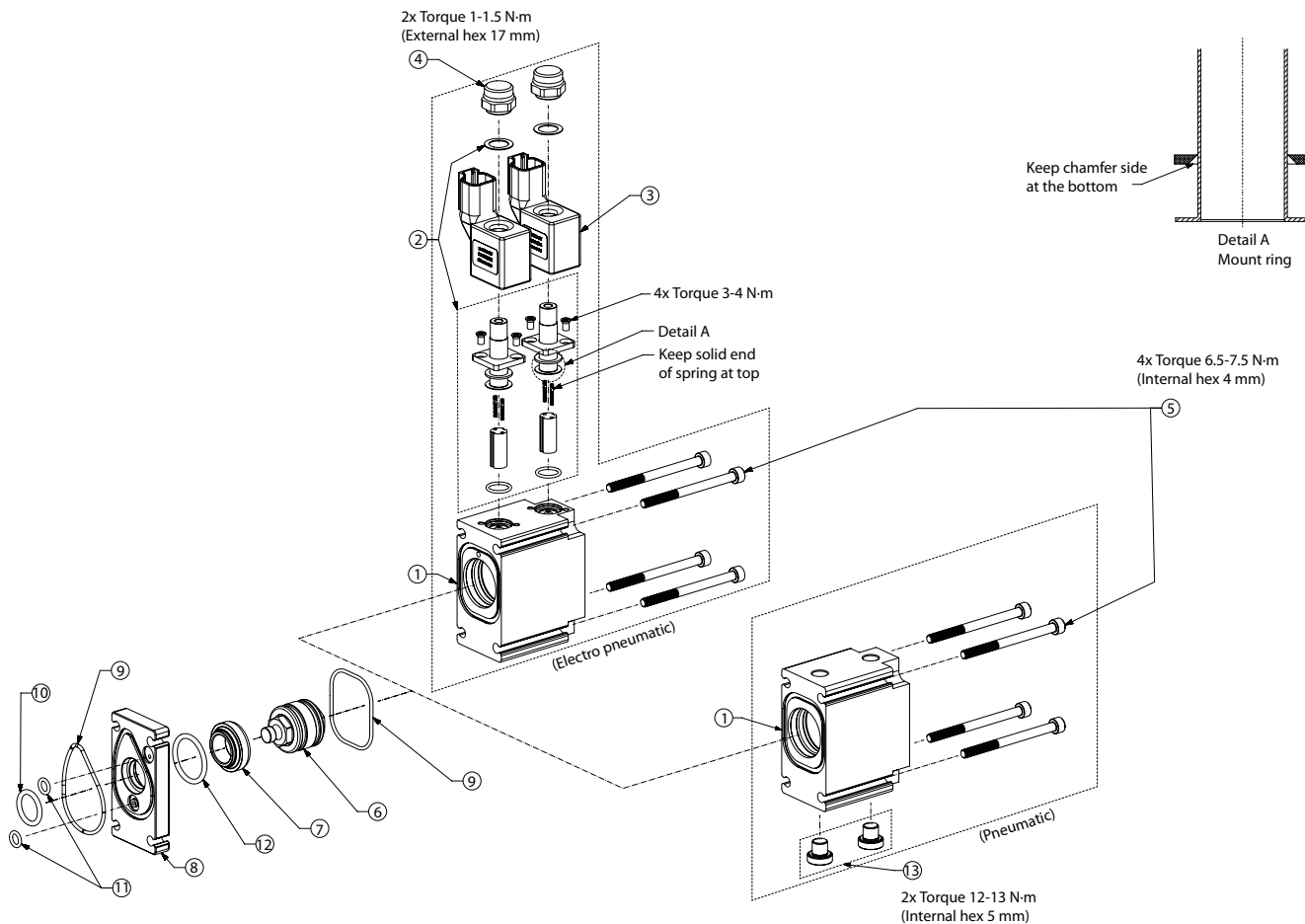
DVHC set of seals

Type	Code number
DVH, DVM, DVHC & DVHCO service kit (Items 2-6, 11)	11322164

Actuator service parts

DVPN pneumatic actuators

Parts configuration



DVPN kits

Description	Port size	Code number	Reference
DVPN60 actuator, 12V with cartridge	-	11323708	A
DVPN60 actuator, 24V with cartridge	-	11323709	B
DVPN60 actuator with plug	G 1/8	11323710	C
DVPN100 actuator, 12V with cartridge	-	11323648	D
DVPN100 actuator, 24V with cartridge	-	11323649	E
DVPN100 actuator with plug	G 1/8	11323720	F

Parts list

Item	Description	Code number	Reference					
			A	B	C	D	E	F
1	Body	-	1	1	1	1	1	1
2	Cartridge	-	2	2	-	2	2	-
3	Coil	-	2	2	-	2	2	-
4	Nut	-	2	2	-	2	2	-
5	Screw, DIN912 M5x0.8x65 12.9	-	4	4	4	4	4	4

Actuator service parts

Parts list (continued)

Item	Description	Code number	Reference					
			A	B	C	D	E	F
6	Piston	-	1	1	1	1	1	1
7	Guide	-	1	1	1	1	1	1
8	Seal plate	-	1	1	1	1	1	1
9	O-ring	-	1	1	1	1	1	1
10	O-ring	-	1	1	1	1	1	1
11	O-ring	-	2	2	2	2	2	2
12	O-ring	-	1	1	1	1	1	1
13	Plug G-1/8"	-	-	-	2	-	-	2

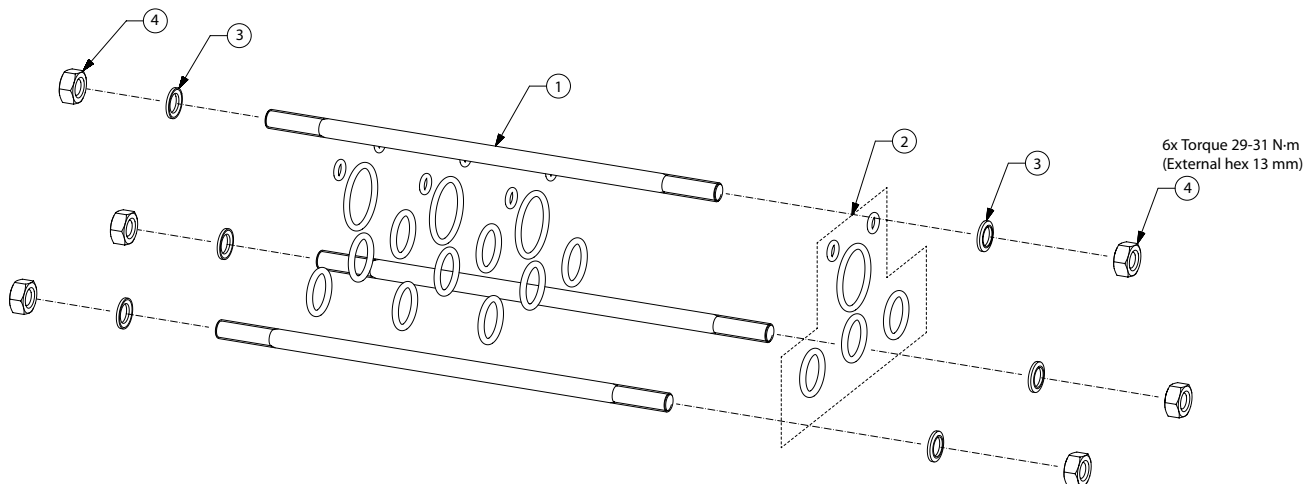
DVPN set of seals

Type	Code number
DVPN60, service kit	11322173
DVPN100, service kit	11336578

Kits and seals

DVAS assembly kit

Parts configuration



DVAS kit

Description	Reference
Assembly kit	A

Parts list

Item	Description	Code number	Reference
			A
1	Tie rod	-	3
2	Interface seals	-	Info*
3	Washer	-	6
4	Nut	-	6

* 01 pc per section + 01 pc at Tank module

[For DVAS assembly part numbers, see the DVG Technical Information.](#)

DVAS set of seals

Item	Description	Code number
2	Set of seals for DVG stack with 8 work sections: DVB 60/100	11327518

Kits and seals

Set of seals

Type	Description	Code number
DVP	Inlet module	11322161
DVB, low & mid body	Basic module	11177712
DVT	Tank module	11322172
DVBS 60, mechanical spools	Mech spools module / mech float spools	11332736
DVBS 100, mechanical spools	Mech spools module / mech float spools	11322163
DVBS60, pneumatic spool	Pneumatic spools module	11322173
DVBS100, pneumatic spool	Pneumatic spools module	11332737
DVH, DVHC & DVHCO	Hydraulic action module	11322164
DVFN60	Pneumatic action module	11322173
DVFN100	Pneumatic action module	11336578
DVAS	Set of seals for DVG stack with 8 work sections: DVB 60/100	11327518

Products we offer:

- Cylinders
- Electric converters, machines, and systems
- Electronic controls, HMI, and IoT
- Hoses and fittings
- Hydraulic power units and packaged systems
- Hydraulic valves
- Industrial clutches and brakes
- Motors
- PLUS+1® software
- Pumps
- Steering
- Transmissions

Danfoss Power Solutions designs and manufactures a complete range of engineered components and systems. From hydraulics and electrification to fluid conveyance, electronic controls, and software, our solutions are engineered with an uncompromising focus on quality, reliability, and safety.

Our innovative products makes increased productivity and reduced emissions a possibility, but it's our people who turn those possibilities into reality. Leveraging our unsurpassed application know-how, we partner with customers around the world to solve their greatest machine challenges. Our aspiration is to help our customers achieve their vision — and to earn our place as their preferred and trusted partner.

Go to www.danfoss.com or scan the QR code for further product information.

**Hydro-Gear**

www.hydro-gear.com

Daikin-Sauer-Danfoss

www.daikin-sauer-danfoss.com

**Danfoss
Power Solutions (US) Company**
2800 East 13th Street
Ames, IA 50010, USA
Phone: +1 515 239 6000

**Danfoss
Power Solutions GmbH & Co. OHG**
Krokamp 35
D-24539 Neumünster, Germany
Phone: +49 4321 871 0

**Danfoss
Power Solutions ApS**
Nordborgvej 81
DK-6430 Nordborg, Denmark
Phone: +45 7488 2222

**Danfoss
Power Solutions Trading
(Shanghai) Co., Ltd.**
Building #22, No. 1000 Jin Hai Rd
Jin Qiao, Pudong New District
Shanghai, China 201206
Phone: +86 21 2080 6201

Danfoss can accept no responsibility for possible errors in catalogues, brochures and other printed material. Danfoss reserves the right to alter its products without notice. This also applies to products already on order provided that such alterations can be made without subsequent changes being necessary in specifications already agreed. All trademarks in this material are property of the respective companies. Danfoss and the Danfoss logotype are trademarks of Danfoss A/S. All rights reserved.