

Data Sheet

# Danfoss *Icon*™ 24 V thermostat

## Description



Danfoss *Icon*™ Room Thermostat 088U1051



Danfoss *Icon*™ Room Thermostat 088U1055

Danfoss *Icon*™ 24 V thermostat offers a minimalistic design that makes them fade away and blend into surroundings when the display is not active. The thermostats use powerline communication which makes installation very easy.

### Danfoss *Icon*™ offers the following features:

- Touch user interface
- Floor sensor (accessory)
- UV resistant plastic to reduce yellowing over time
- Temperature limiting (between 5 °C and 35 °C)
- Possibility to deselect cooling for specific room
- Dual heat emitter (e.g. radiator and floor heating in same room)

## Ordering

Product	Code number
Danfoss <i>Icon</i> ™ Room Thermostat, 24 V Display In-wall, 86x86	<b>088U1051</b>
Danfoss <i>Icon</i> ™ Room Thermostat, 24 V Display On-wall, 86x86	<b>088U1055</b>

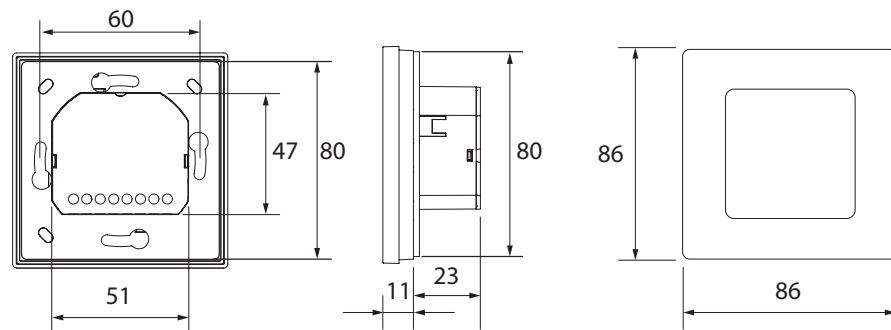
## Accessories

Description	Code number
Danfoss <i>Icon</i> ™ Floor Sensor for 24 V and 230 V	<b>088U1110</b>

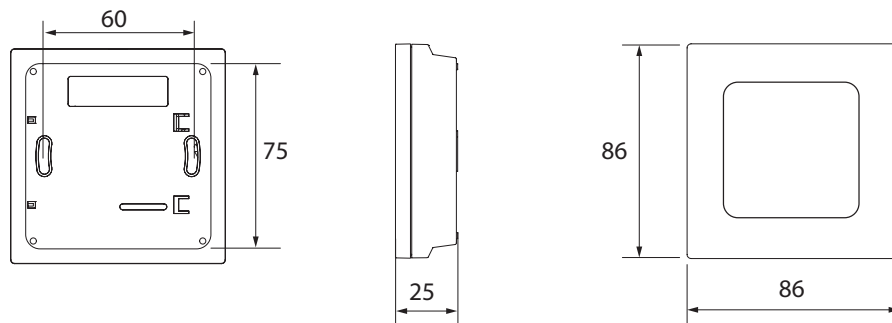
**Tecnical data**

Purpose of control	Room thermostat for room temperature control
Ambient temperature range, continious use	0 °C to +40 °C
Encapsulation (IP Class)	IP 21
Supply voltage	24 VDC
Conformity declared acc. to following directives	EMC, RoHS, WEEE
Protection class	Class III
External sensor	NTC type, 47 k @ 25 °C (Optional, 088U1110)
Type	Electronic thermostat with touch user interface
User interface	Capacitive touch and shine through display
Display type	Hybrid: red single LED's and custom segment
Display features	Switches OFF after 10 sec. with no interaction
Ambient temperature, storage	-20 °C to +65 °C
Controller, type	Adjustable Pulse Width Modulation
Power consumption	0,2 W
Sensor, floor (optional)	NTC 47 kΩ, 3 m, IP 68
Shell material	White parts: PC ASA Grey parts: PC, 10% glass
ErP class	(2%)
Colour	White RAL9010 / Dark Grey RAL7024

**Dimensions**



Danfoss *Icon*™ Room Thermostat 088U1051



Danfoss *Icon*™ Room Thermostat 088U1055

**Danfoss Limited**

Heating Segment • heating.danfoss.co.uk • +44 (0)1895 617000 • E-mail: customerservice.uk@danfoss.com

Danfoss can accept no responsibility for possible errors in catalogues, brochures and other printed material. Danfoss reserves the right to alter its products without notice. This also applies to products already on order provided that such alterations can be made without subsequential changes being necessary in specifications already agreed. All trademarks in this material are property of the respective companies. Danfoss and all Danfoss logotypes are trademarks of Danfoss A/S. All rights reserved.