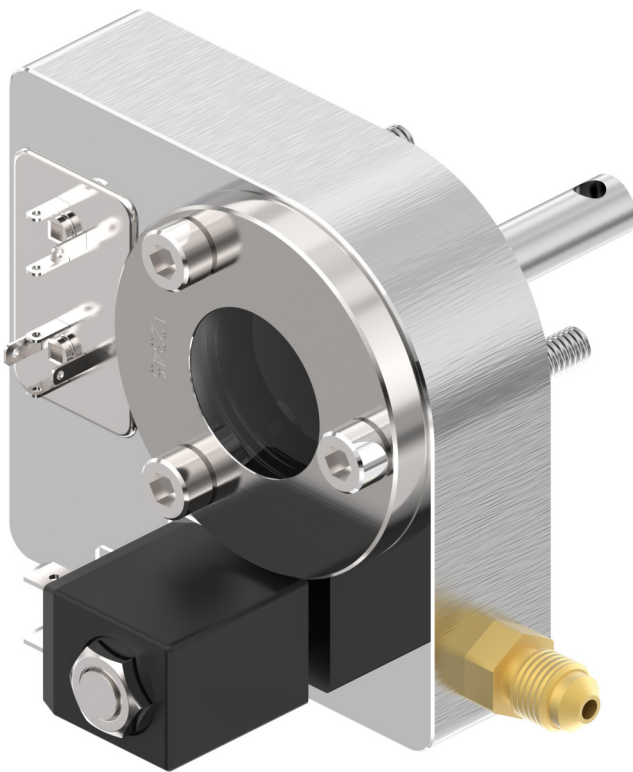


Data Sheet

# Oil level Regulators COM



Danfoss COM oil level regulators are an integral part of oil management in refrigeration, air conditioning and heat pump systems. COM oil level regulators ensure an optimal oil level in scroll, semi-hermetic and reciprocating compressors. This in turn provides safe compressor operation and long compressor lifetime.

Danfoss COM oil level regulators use hall sensor and built-in magnetic float for very precise oil level sensing. This design ensures a reliable performance even with foaming or dirty oil and ensures long life of the compressor even under different operating conditions such as defrost cycles and seasonal variations.

### Features

- Higher resolution
- Hall sensor level sensing
- Lower energy consumption
- Lower weight
- Less complexity, only 2 models. 60 bar/130bar
- Adaptive functions
  - Power on logic
  - Emergency injection logic

## Functions

Maintaining an adequate oil level is a critical requirement for ensuring the long-term durability of a compressor. Depending on the system's design, such as in rack applications, achieving precise oil level control under various operating conditions necessitates the use of an active regulation system. Passive systems, on the other hand, pose challenges because they function effectively only when the operating conditions remain constant. However, due to seasonal variations, maintaining constant conditions is often impractical.

Active oil regulation systems are designed to adapt to fluctuations in operating conditions and defrost cycles, thereby ensuring reliable compressor operation. These active systems continuously monitor the oil level in compressors and generate alerts in the event of a low oil level. Even in cases where there is no built-in compressor oil pump and oil differential pressure switch (e.g., in scroll compressors), an active control system is essential for monitoring and maintaining the oil supply to the compressor.

A Hall sensor and a magnetic float system are integrated into the COM to gauge the oil level within the compressor. Depending on variations in the oil level and its impact on the magnetic field strength, a variable induced voltage is generated. This voltage is then assessed by the electronic system, triggering actions in the form of LED indicators, solenoid valve activations and relay.

Once the oil level reaches the predefined alarm threshold, COM activates an alarm condition. This signal can be employed for tasks such as disconnecting the compressor or data processing.

While the alarm condition persists, a continuous supply of oil is maintained to the compressor to restore the oil level to its normal range. Once this restoration is successful, the alarm is reset.

To promptly identify a compressor operating "without oil filling," a "Power on Logic" feature has been incorporated into the software. This feature eliminates the delay times associated with "Filling" and "Alarm." Consequently, it ensures that a compressor lacking oil filling does not run for alarm delay time before triggering an alarm but can be halted immediately.

The oil level indicator is divided into different ranges :

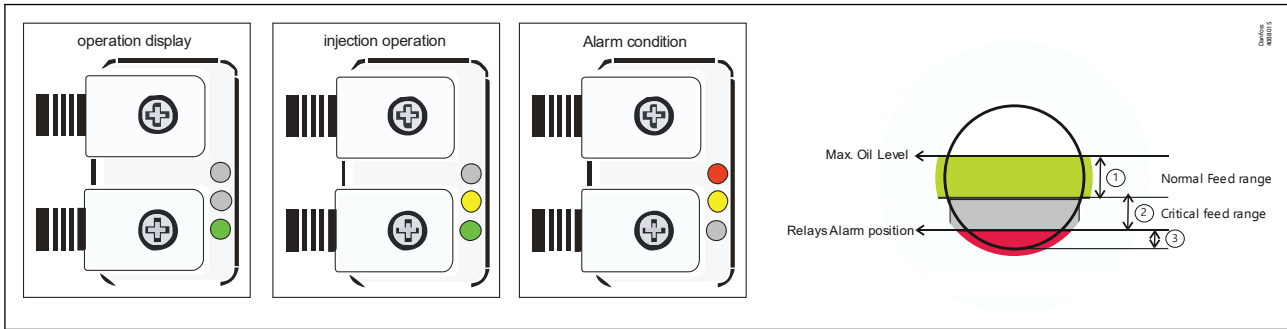
1. Normal oil level: 40-60% sight glass level.
2. Critical oil level: 25-40% sight glass level.
3. Alarm oil level: <25% sight glass level

When the green LED is illuminated, it indicates that the compressor is operational, and the oil level is within the normal range. During normal operation, if the oil level remains below the normal range for more than 10 seconds, the solenoid valve is activated, allowing oil to be replenished up to a maximum of 60% of the sight glass height. Subsequently, the solenoid valve closes. This 10-second delay serves a specific purpose, especially for certain compressor types and applications. During the compressor's startup phase, the oil level can fluctuate, and without this delay, the oil filling process might initiate even when there is sufficient oil present. The delay helps prevent overfilling of the compressor.

In low-pressure systems, if the oil level moves into the "critical area" despite active oil filling, it could be due to the compressor introducing more oil into the system than the COM can replenish. In such a scenario, the differential pressure (the difference between oil pressure and suction pressure) needs to be increased to allow sufficient oil flow back into the system. This can be accomplished by utilizing an ORD (Oil Return Valve) available with differential pressure options.

To prevent oil shortages, Danfoss oil management recommends keeping the COM operational even when the compressor is in the off condition. This ensures that the oil level is properly maintained, safeguarding against potential issues related to oil supply.

Figure 1: Sight glass and LED indications in COM



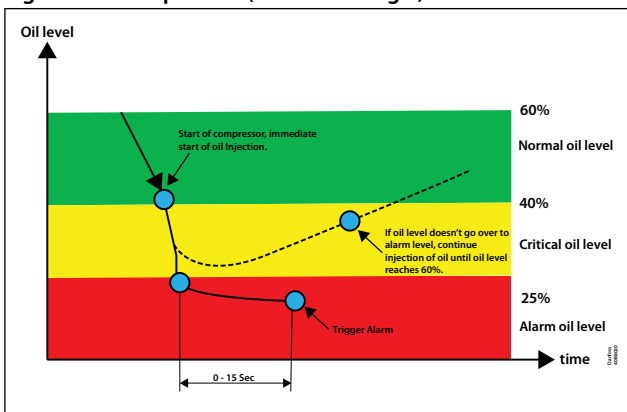
### Startup Mode (Power ON Logic)

The Power ON Logic becomes active when both the compressor and Danfoss COM are initially turned on. Startup mode (power On logic) suppresses all alarm and injection delay. Injection of oil starts immediately.

- If level is below 40%, injection function starts, and immediately activate the injection solenoid valve, injection continues until 60% level achieved again.
- If level is below 25%, Alarm function start, and depending how much below 0-25% level is measured, the alarm delay is suppressed to 0-15 sec. This is mitigating the risk of compressor running without oil during start up.

On the other hand, if the oil level does not decrease to the Alarm Level during the startup mode phase, the Power ON Logic is disabled, and the COM functions in the Normal Operation Mode.

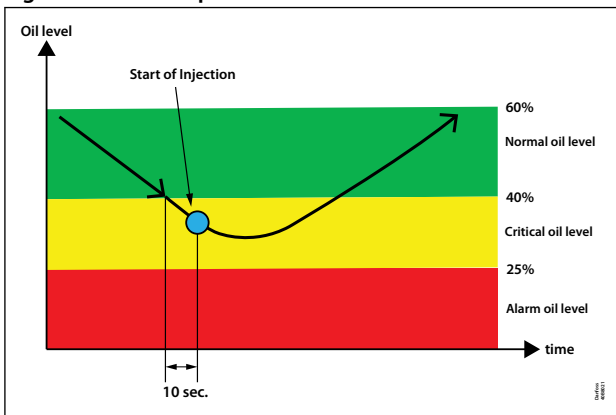
Figure 2: Startup Mode (Power ON Logic)



### Normal Operation Mode

To ensure the compressor receives optimal lubrication, COM maintains the oil capacity within a range of 40-60%. If the oil level falls below the Normal Level, a delay counter comes into play. During the Normal Operation Mode, this counter prevents sudden fluctuations in the system and guards against overfilling the compressor. After a 10-second delay, the injection of oil commences. The electronic float's resistance to oil surges and foaming enables continuous monitoring of the oil level throughout the injection process until it reaches the Normal Level. This eliminates the need for breaks in the delay for intermediate measurements

Figure 3: Normal Operation Mode



Should the oil level decrease even further, falling below the Critical Level (in the range of 40-25%), despite ongoing oil injection, an alarm counter is initiated. This counter runs for 80 seconds and subsequently triggers an alarm relay. This relay's contact can be monitored and employed for various purposes, such as shutting down the compressor or activating an alarm routine (this depends on how the alarm of COM has been used in the system). It's important to note that even when the alarm relay is activated, the oil injection process continues. Only when the oil level surpasses 25% does the alarm get deactivated, but the injection of oil persists until the Normal Level is reached

Figure 4: Normal Operation Mode

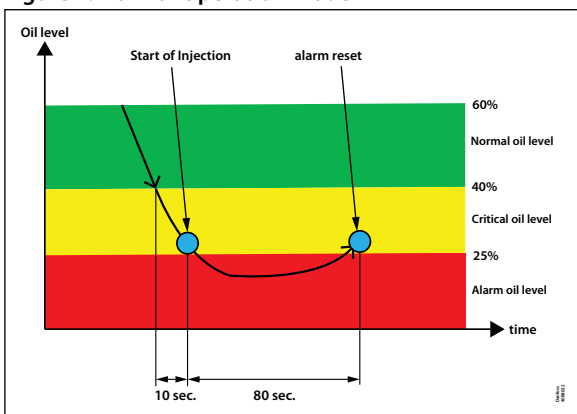
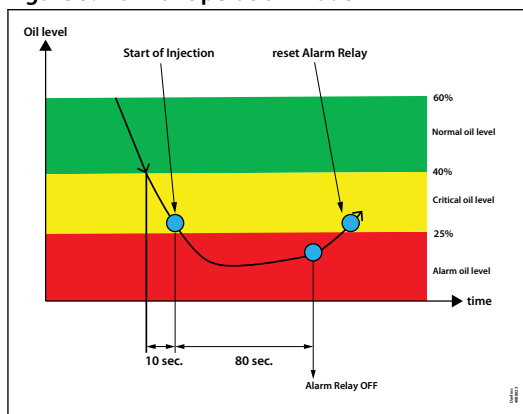


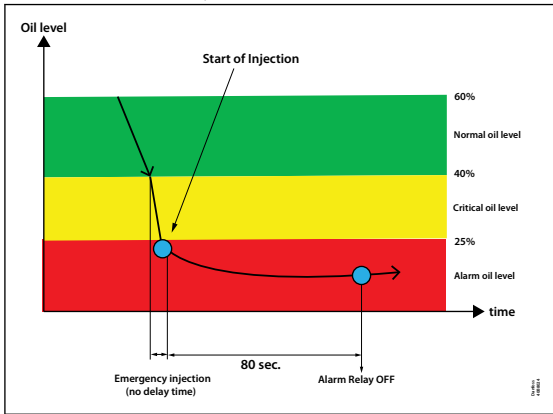
Figure 5: Normal Operation Mode



### Emergency Operation Mode

If there is a sudden increase in oil consumption, as might occur with a frequency-modulated compressor, the oil level can rapidly drop from the Normal Level to the Alarm Level. Danfoss COM detects this abrupt drop in oil level. In such instances, the delay that is normally beneficial in Normal Operation Mode is swiftly deactivated, and oil injection begins immediately to address the sudden oil level decrease. The alarm delay timer starts and if persists for 80secs, the alarm will be turned On. The alarm delay timer starts and if persists for 80secs, the alarm will be turned On. If level again reach 40% within the 80 sec delay time, alarm function timer is resets, and the alarm relay does not activate.

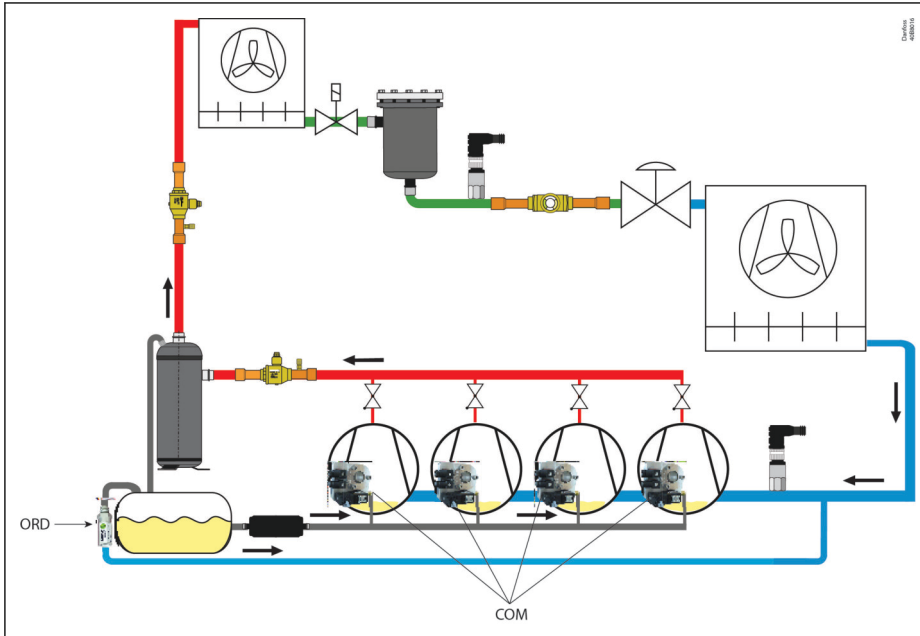
Figure 6: Emergency Operation Mode



**Applications**

**Low pressure Oil system**

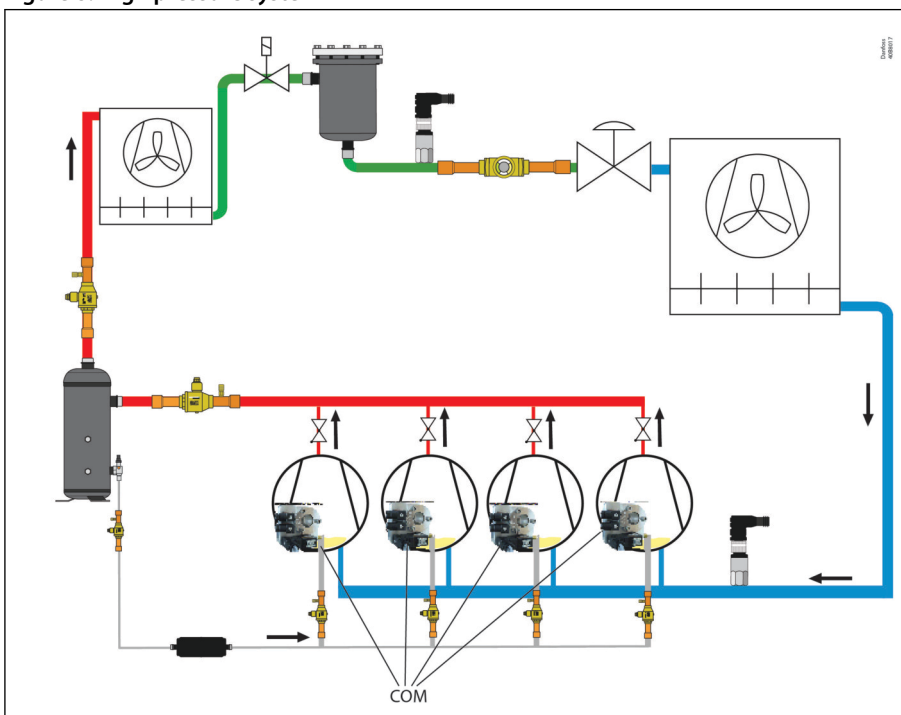
Figure 7: Low pressure system



The above shown is an example of low-pressure Oil system using Danfoss oil management. For such systems with oil pressure of 60 bar we use the 60bar oil level regulator, COM 10C. Each compressor must be fitted with one COM 10C. As needed, the ORD differential pressure valve can also be added.

**High pressure Oil system**

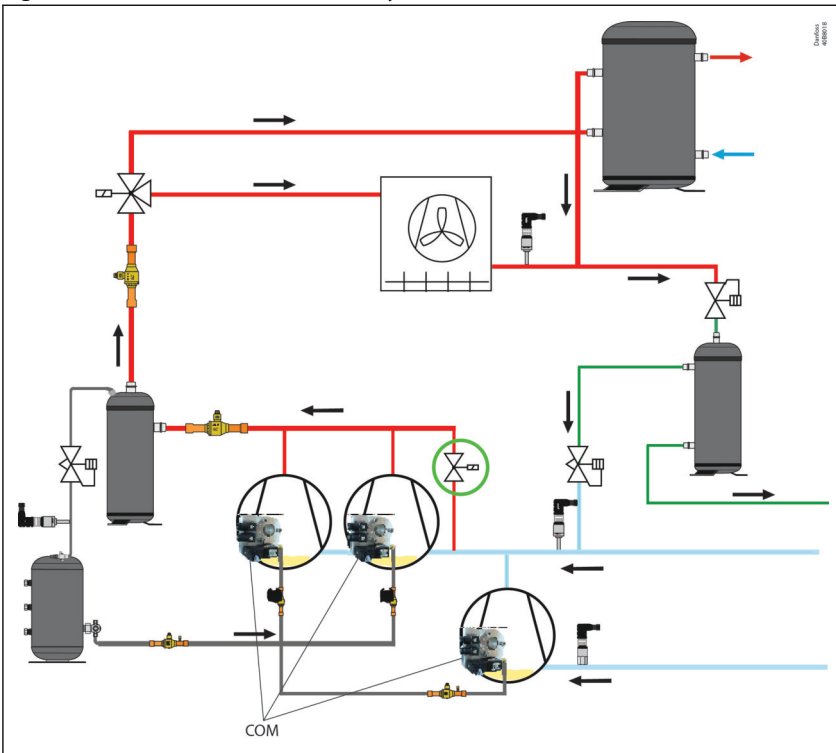
Figure 8: High pressure system



The above shown is an example of High-pressure Oil system using Danfoss oil Management. According to the pressure 60 bar or 130 bar in oil system, we can use COM 10C or COM 20 C respectively.

### C02 Booster/Trans-critical system

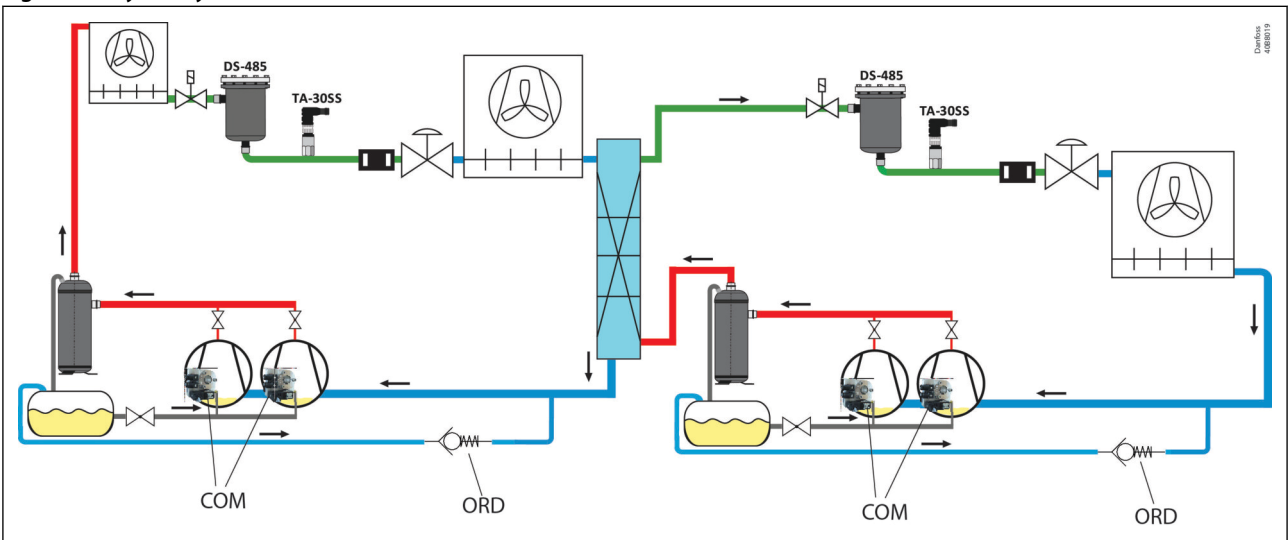
Figure 9: C02 Booster / Trans-critical system



The above shown is an example of CO2 booster or trans-critical system using Danfoss oil Management.

### Hybrid system with R134a and CO2

Figure 10: Hybrid system with R134a and CO2



The above shown is an example of hybrid system with R134a and CO2 using Danfoss oil Management.

## Media

- Compatible Refrigerants: R404A, R134A, R448A, R449A, R450A, R513A, R744, R1234ze(E), R1234yf, R32, R455A, R454C, R1270, R290, R454B
- Compatible Oil: Mineral, Synthetic, Ester Oils



**Product specification**

**Technical data**

**Table 1: Technical data**

Model	COM 10C	COM 20C
Max Operating pressure	60 bar / 870 psi	130 bar / 1885 psi
Test Pressure	66 bar / 957 psi	143 bar / 2074 psi
Burst Pressure	180 bar / 2610 psi	390 bar / 5656 psi
Maximum Differential Pressure	40 bar / 580 psi	80 bar / 1160 psi (100 bar at nominal voltage)
Supply Voltage	24V AC, +10/-15%, 0.4A, 50/60Hz 230V AC, +10/-15% 0,04A, 50/60Hz	24V AC, +10/-15%, 0.4A, 50/60Hz 230V AC, +10/-15% 0,04A, 50/60Hz
Alarm contact	SPDT, Max 3A, 230V AC dry contact	SPDT, Max 3A, 230V AC dry contact
Protection class	IP65	IP65
Filter	100 micron mesh 80	100 micron mesh 80
Vibration resistance (EN 60068-2-6)	max. 4g, 10... 250Hz	max. 4g, 10... 250Hz

**Table 2: Technical data**

Model	Adaptor set
Max Operating pressure	130 bar / 1885 psi
Test Pressure	143 bar / 2074 psi
Burst Pressure	390 bar / 5656 psi
Vibration resistance (EN 60068-2-6)	max. 4g, 10... 250Hz

**Table 3: Technical data**

Model	ORD
Max Working Pressure	60 bar / 870 psi
Test Pressure	86 bar / 1247 psi
Minimum Burst Pressure	300 bar / 4351 psi

**Identification**

The below images are examples of labels on the product.



**Materials**

**Table 4: Materials**

COM 10C/20C	Material details
Housing and adaptor	EN AW 6081, 6082
Oil connector	Brass CW 617N 7/16"-20 UNF male
Sight glass	11SMnPb37 Ni plated Pb< 0,035%
Screws	Stainless steel
Valve seat	PTFE
O ring	CR
Plastic coil of electrical cables	PBT UL system

**Table 5: Materials**

Adaptor	Material details
Plastic coil of electrical cables	EN AW 6081, 6082

**Table 6: Materials**

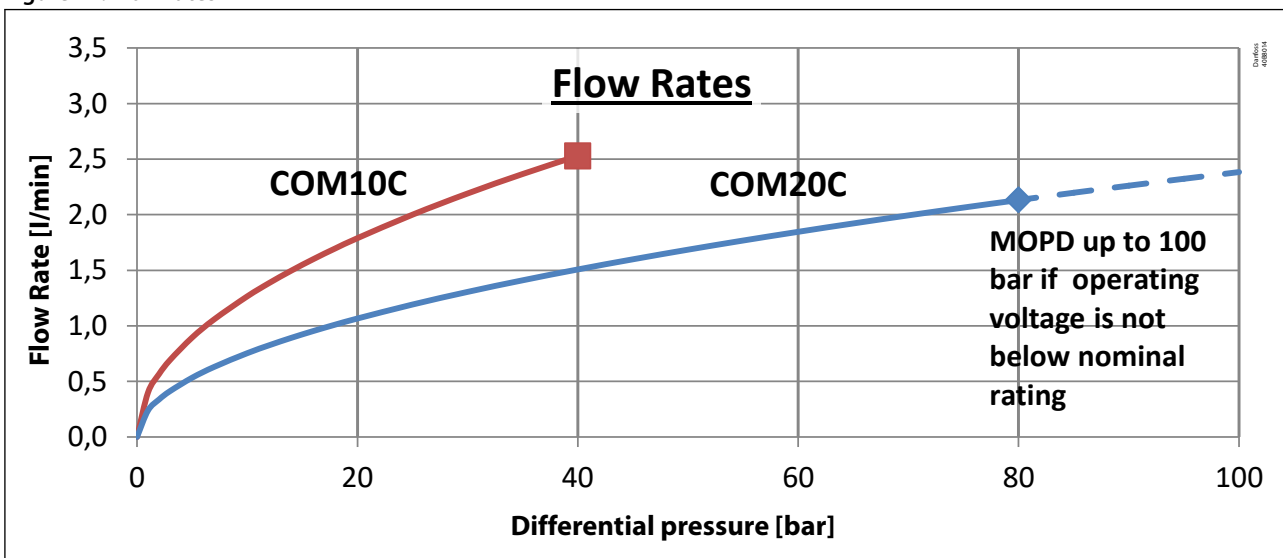
ORD	Material details
Housing	EN AW 6082,6026
Seat seal	PTFE
External sealing	O-Ring CR557-70

**Table 7: Materials**

Cables	Material details
Plastic coil of electrical cables	PBT UL system

**Capacity tables**

**Figure 11: Flow rates**



**Performance and environment conditions**

**Table 8: Performance and environment conditions**

Model	COM 10C	COM 20C
Media Temperature range	-40 to +80°C / -40 to +176°F	-40°C to +80°C / -40 to +176°F
Ambient/Storage Temperature range	-40 to +50°C / -40 to +122°F (static)	-40 to +50°C / -40 to +122°F (static)
Humidity	0-80% RH (non-condensing)	0-80% RH (non-condensing)

**Table 9: Performance and environment conditions**

Model	Adaptors
Media Temperature range	-40 to +80°C / -40 to +176°F
Ambient/Storage Temperature range	-40 to +50°C / -40 to +122°F (static)
Humidity	0-80% RH (non-condensing) (up to 100% for T versions)

**Table 10: Performance and environment conditions**

Model	ORD
Media Temperature range	-40 to +80°C / -40 to +176°F
Ambient/Storage Temperature range	-40 to +135°C / -40 to +275°F

**Table 11: Performance and environment conditions**

Model	Cables
Media Temperature range	-40 to +80°C / -40 to +176°F
Ambient/Storage Temperature range	-40 to +50°C / -40 to +122°F (static)
Humidity	0-80% RH (non-condensing)

## Dimensions and weights

Table 12: Dimensions and weights

Code no.	Type	Net Weight(Kg)
040B0119	COM 10C Oil level regulator	0,580
040B0120	COM 10C Oil level regulator	0,575
040B0121	COM 20C Oil level regulator	0,635
040B0122	COM 20C Oil level regulator	0,630
040B0100	COM 20C Oil level regulator	0,635

Table 13: Dimensions and weights

Code no.	Type	Net Weight(Kg)
040B0163	ORD Differential pressure valve 1,5 bar	0,045
040B0164	ORD Differential pressure valve 3,5 bar	0,045
040B0165	ORD Differential pressure valve 5,0 bar	0,045

Table 14: Dimensions and weights

Code no.	Type	Depth	Net Weight(Kg)
040B0123	Adaptor set COM-AD-000	40,0 mm	0,120
040B0124	Adaptor set COM-AD-034-14	30,0 mm	0,060
040B0125	Adaptor set COM-AD-114	36,0 mm	0,100
040B0126	Adaptor set COM-AD-134	40,0 mm	0,130
040B0127	Adaptor set COM-AD-D06	40,0 mm	0,120
040B0128	Adaptor set COM-AD-118-18	22,5 mm	0,075
040B0129	Adaptor set COM-AD-118-18L	42,5 mm	0,100
040B0130	Mounting Adaptor set COM-AD-118-18 - Danfoss	22,5 mm	0,080
040B0131	Mounting Adaptor set COM-AD-118-18 - Dorin	22,5 mm	0,076
040B0145	Adaptor set COM-AD-241	45,0 mm	0,106
040B0146	Adaptor set COM-AD-214	54,0 mm	0,345

Table 15: Dimensions and weights

Code no.	Type	Length	Net Weight(Kg)
040B0153	Power Cable set for Power 10 m	10,00 m	0,436
040B0155	Power Cable set for Power 15 m	15,00 m	0,672
040B0157	Power Cable set for Power 20 m	20,00 m	0,880
040B0147	Power Cable set for Power 3 m	3,00 m	0,154
040B0151	Power Cable set for Power 5 m	5,00 m	0,255
040B0149	Power Cable set for Power 6 m	6,00 m	0,272
040B0101	Power Cable set 5 m for Power	5,00 m	0,255
040B0102	Power Cable set 10 m for Power	10,00 m	0,436
040B0103	Power Cable set 15 m for Power	15,00 m	0,672
040B0104	Power Cable set 20 m for Power	20,00 m	0,880

Table 16: Dimensions and weights

Code no.	Type	Length	Net Weight(Kg)
040B0148	Relay Cable set for Relays 3 m	3,00 m	0,123 KG
040B0152	Relay Cable set for Relays 5 m	5,00 m	0,197 KG
040B0150	Relay Cable set for Relays 6 m	6,00 m	0,224 KG
040B0154	Relay Cable set for Relays 10 m	10,00 m	0,386 KG
040B0156	Relay Cable set for Relays 15 m	15,00 m	0,583 KG
040B0158	Relay Cable set for Relays 20 m	20,00 m	0,767 KG
040B0111	Relay Cable set 5 m for Relay	5,00 m	0,197 KG
040B0112	Relay Cable set 10 m for Relay	10,00 m	0,386 KG
040B0113	Relay Cable set 15 m for Relay	15,00 m	0,583 KG
040B0114	Relay Cable set 20 m for Relay	20,00 m	0,767 KG

Figure 12: ORD dimensions

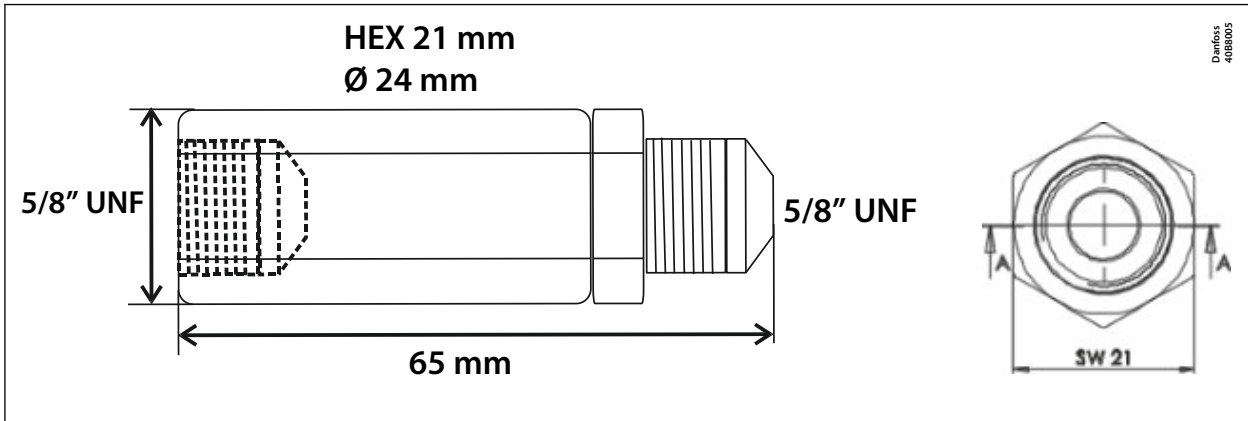


Figure 13: COM dimensions

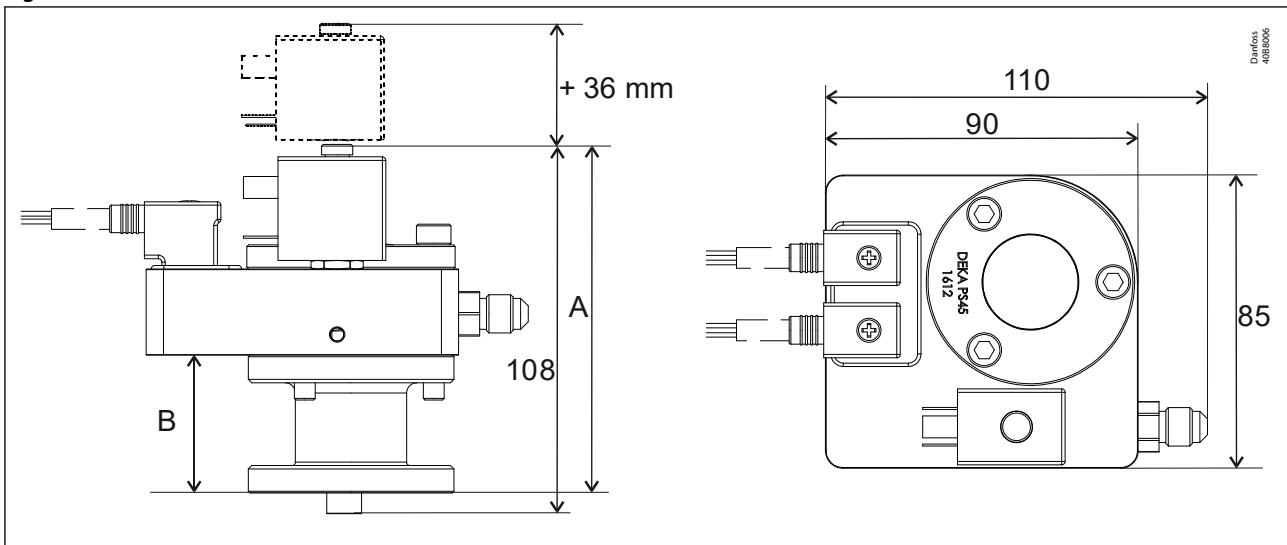


Table 17: Dimensions

Type	A(mm) installed	B (Adaptor depth)
Adaptor set COM-AD-000	101,0 mm	40,0 mm
Adaptor set COM-AD-034-14	91,0 mm	30,0 mm
Adaptor set COM-AD-114	97,0 mm	36,0 mm
Adaptor set COM-AD-134	101,0 mm	40,0 mm
Adaptor set COM-AD-D06	101,0 mm	40,0 mm
Adaptor set COM-AD-118-18	22,5 mm	22,5 mm
Adaptor set COM-AD-118-18L	83,5 mm	42,5 mm
Mounting Adaptor set COM-AD-118-18 - Dorin	83,5 mm	22,5 mm
Mounting Adaptor set COM-AD-118-18 - Danfoss	83,5 mm	22,5 mm
Adaptor set COM-AD-241	106,0 mm	45,0 mm
Adaptor set COM-AD-214	115,0 mm	54,0 mm

## Selection

Table 18: selection of adaptor

Adaptor type	Dimension	Interface
Adapter COM-AD-000		Mounting Adapter 3-4 hole for compressor or vessel
Adapter COM-AD-118-18		Adapter 1-1/8"-18 UNEF for compressor or vessel
Adapter COM-AD-118-18L		Adapter 1-1/8"-18 UNEF Long for compressor or vessel
COM-AD-000		Mounting Adapter 3-4 hole for compressor or vessel
COM-AD-034-14		Mounting adaptor set for compressor or vessel 3/4"-14 NPT
COM-AD-114		Mounting adaptor set for compressor or vessel Rota-lock 1-1/4"

## Oil level Regulators, COM

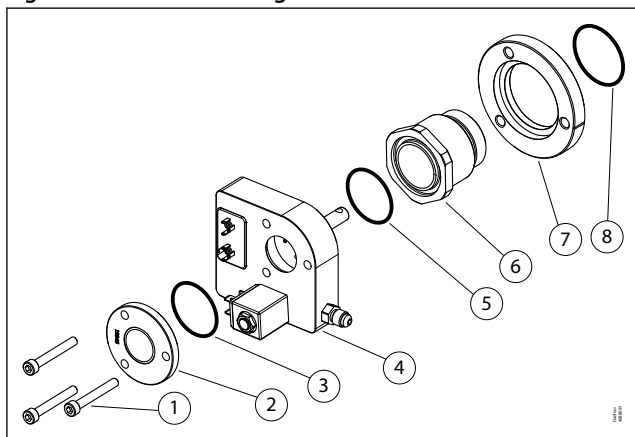
Adapter type	Dimension	Interface
COM-AD-134		Mounting adaptor set for compressor or vessel Rota-lock 1-3/4"
COM-AD-D06		Mounting adaptor set for compressor or vessel 6 hole
COM-AD-118-18		Mounting adaptor set for compressor or vessel 1-1/8"-18 UNEF
COM-AD-118-18L		Mounting adaptor set for compressor or vessel 1-1/8"-18 UNEF
COM-AD-118-18 (Danfoss - mit zusätzlichem Adapter-Ring)		Mounting adaptor set for compressor or vessel 1-1/8"-18 UNEF With additional adapter ring

## Oil level Regulators, COM

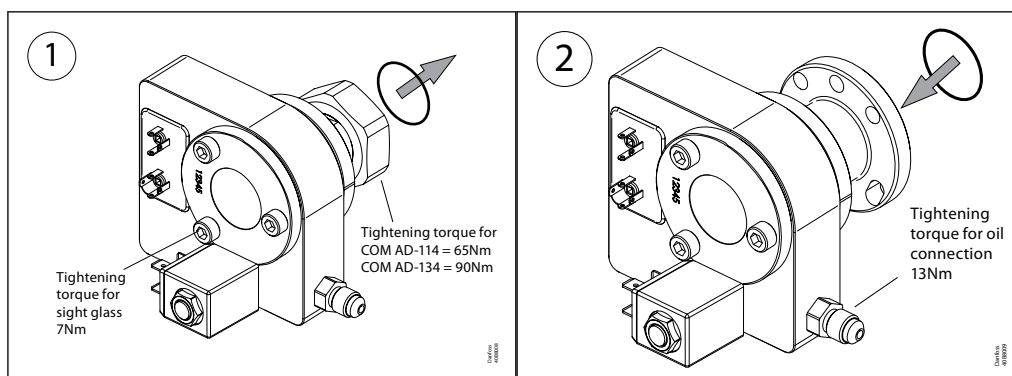
Adapter type	Dimension	Interface
COM-AD-118-18 (Dorin - mit zusätzlichem Alu Dichttring)	Identical to COM AD-118-18-Danfoss + Aluminum gasket Dimension of alu gasket: 28,7 x 34 x 2. (mm)	Mounting adaptor set for compressor or vessel 1-1/8"-18 UNEF With additional alu gasket
COM-AD-241		Mounting adaptor set for compressor or vessel M24x1
COM-AD-214		Mounting adaptor set for compressor or vessel Rota-lock 2-1/4"

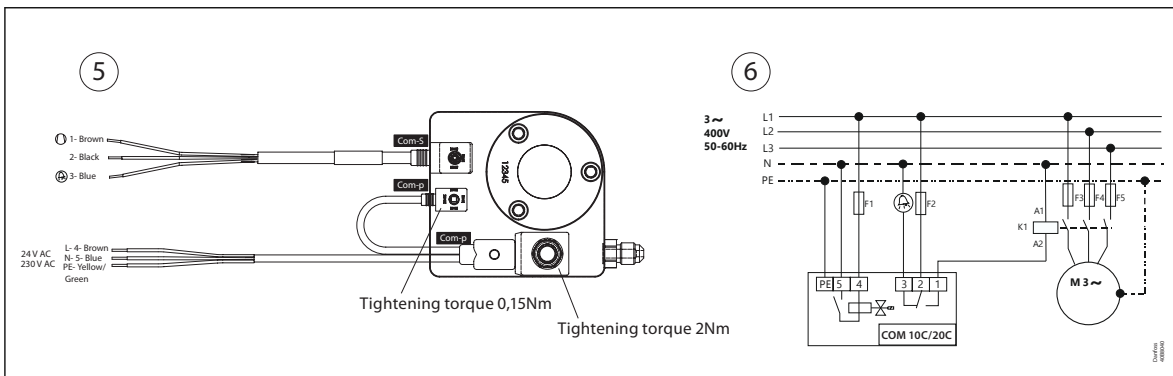
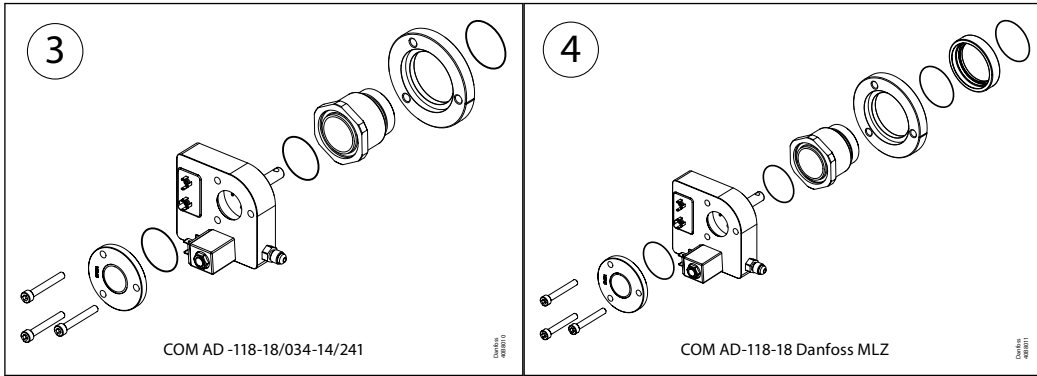
## Connection Diagrams

Figure 14: Connection Diagrams



- |   |               |
|---|---------------|
| 1 | Screw (3pcs.) |
| 2 | Sight glass   |
| 3 | O-ring        |
| 4 | Body          |
| 5 | O-ring        |
| 6 | Adapter       |
| 7 | Flange ring   |
| 8 | O-ring        |



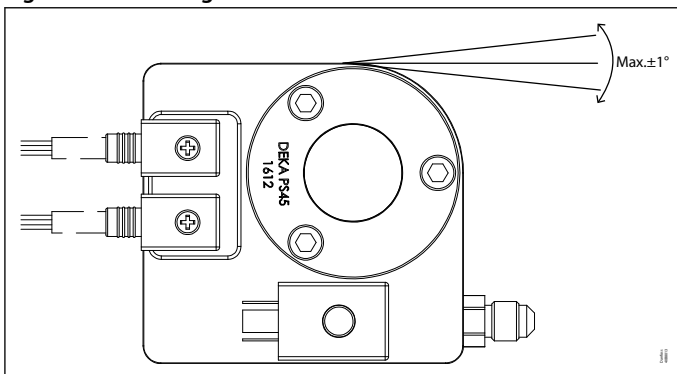


When COM is powered off or in an alarm state, the following happens: Compressor Shutdown: Terminals 1 and 2 open, interrupting the circuit and stopping the compressor. PLC Alarm Indication: Terminals 2 and 3 close, creating a signal pathway. This closed circuit can inform a connected PLC that the COM unit is off or experiencing an issue.

## Mounting

Align the product horizontally (tol. +/- 1°).

Figure 15: Mounting





## Ordering

### Product part numbers

**Table 19: COM Base Unit**

Description	Supply Voltage (AC)	Packaging Format	Quantity per packaging	Code No.
COM 10C Oil level regulator	230V	Multipack	6	040B0119
COM 10C Oil level regulator	24V	Multipack	6	040B0120
COM 20C Oil level regulator	230V	Multipack	6	040B0121
COM 20C Oil level regulator	24V	Multipack	6	040B0122
COM 20C Oil level regulator	230V	Industrial pack	6	040B0100

**Table 20: ORD Differential Pressure Valve**

Description	Inlet Connection Type	Outlet Connection Type	Packaging Format	Quantity per packaging	Code No.
ORD Differential pressure valve 1,5 bar	5/8-18-2B" UNF	5/8-18-2A" UNF	Multipack	81	040B0163
ORD Differential pressure valve 3,5 bar	5/8-18-2B" UNF	5/8-18-2A" UNF	Multipack	81	040B0164
ORD Differential pressure valve 5,0 bar	5/8-18-2B" UNF	5/8-18-2A" UNF	Multipack	81	040B0165

**Table 21: COM oil level regulator set**

Description	Parts Included	Packaging Format	Quantity per packaging	Code No.
COM10C Oil level regulator set	COM 10C 230V, Adaptor set COM-AD-000, Power cable 3m, Relay cable 3m	Multipack	6pcs	040B0167
COM10C Oil level regulator set	COM 10C 230V, Adaptor set COM-AD-114, Power cable 3m, Relay cable 3m	Multipack	6pcs	040B0169
COM10C Oil level regulator set	COM 10C 230V, Adaptor set COM-AD-118-18-with Danfoss adaptor ring, Power cable 3m, Relay cable 3m	Multipack	6pcs	040B0174
COM10C Oil level regulator set	COM 10C 24V, Adaptor set COM-AD-000, Power cable 3m, Relay cable 3m	Multipack	6pcs	040B0178
COM10C Oil level regulator set	COM 10C 24V, Adaptor set COM-AD-114, Power cable 3m, Relay cable 3m	Multipack	6pcs	040B0180
COM10C Oil level regulator set	COM 10C 24V, Adaptor set COM-AD-118-18-with Danfoss adaptor ring, Power cable 3m, Relay cable 3m	Multipack	6pcs	040B0185
COM20C Oil level regulator set	COM 20C 230V, Adaptor set COM-AD-000, Power cable 3m, Relay cable 3m	Multipack	6pcs	040B0189
COM20C Oil level regulator set	COM 20C 230V, Adaptor set COM-AD-114, Power cable 3m, Relay cable 3m	Multipack	6pcs	040B0191
COM20C Oil level regulator set	COM 20C 230V, Adaptor set COM-AD-118-18-with Danfoss adaptor ring, Power cable 3m, Relay cable 3m	Multipack	6pcs	040B0196
COM20C Oil level regulator set	COM 20C 24V, Adaptor set COM-AD-000, Power cable 3m, Relay cable 3m	Multipack	6pcs	040B0200
COM20C Oil level regulator set	COM 20C 24V, Adaptor set COM-AD-114, Power cable 3m, Relay cable 3m	Multipack	6pcs	040B0202
COM20C Oil level regulator set	COM 20C 24V, Adaptor set COM-AD-118-18-with Danfoss adaptor ring, Power cable 3m, Relay cable 3m	Multipack	6pcs	040B0207

### Accessories part numbers

**Table 22: Adaptor**

Description	Connection Type	Connection Length	Packaging Format	Quantity per packaging	Code No.
Adaptor set COM-AD-000 (items included: adapter, 1 large o-ring, 1 small o-ring)	Flange	40,0 mm	Multipack	24	040B0123
Adaptor set COM-AD-034-14 (items included: adapter, adapter ring, 1 small o-ring)	3/4 - 14" NPT	30,0 mm	Multipack	24	040B0124
Adaptor set COM-AD-114 (items included: adapter, teflon seal, 1 small o-ring)	1 1/4-12-2B UNF	36,0 mm	Multipack	24	040B0125
Adaptor set COM-AD-134 (items included: adapter, teflon seal, 1 small o-ring)	1 3/4-12-2B UNF	40,0 mm	Multipack	24	040B0126

## Oil level Regulators, COM

Description	Connection Type	Connection Length	Packaging Format	Quantity per packaging	Code No.
Adaptor set COM-AD-D06 (items included: adapter, 1 large o-ring, 1 small o-ring)	Flange	40,0 mm	Multipack	24	040B0127
Adaptor set COM-AD-118-18 (items included: adapter, adapter ring, 2 small o-ring)	1 1/8" UNEF	22,5mm	Multipack	24	040B0128
Adaptor set COM-AD-118-18L (items included: adapter, adapter ring, 2 small o-ring)	1 1/8" UNEF	45,5 mm	Multipack	24	040B0129
Adaptor set COM-AD-118-18 -with Danfoss adaptor ring (items included: adapter, adapter flange ring, adapter ring, 2 small o-ring)	1 1/8" UNEF	22,5 mm	Multipack	24	040B0130
Adaptor set COM-AD-118-18 Dorin (items included: adapter, adapter ring, 2 small o-ring, 1 Alu sealing ring)	1 1/8" UNEF	22,5 mm	Multipack	24	040B0131
Adaptor set COM-AD-241 with adapter ring (items included: adapter, adapter ring, 2 small o-ring)	M 24mm	45,0 mm	Multipack	24	040B0145
Adaptor set COM-AD-214 with adapter ring (items included: adapter, teflon seal, 1 small o-ring)	2 1/4-12-2B UNF	54,0 mm	Multipack	24	040B0146

**Table 23: Power cable**

Description	Voltage	Length	Type	Packaging Format	Quantity per packaging	Code No.
Power Cable set for Power 10 m	230/24V	10,00 m	DIN 43650	Multipack	35	040B0153
Power Cable set for Power 15 m	230/24V	15,00 m	DIN 43650	Multipack	25	040B0155
Power Cable set for Power 20 m	230/24V	20,00 m	DIN 43650	Multipack	20	040B0157
Power Cable set for Power 3 m	230/24V	3,00 m	DIN 43650	Multipack	70	040B0147
Power Cable set for Power 5 m	230/24V	5,00 m	DIN 43650	Multipack	50	040B0151
Power Cable set for Power 6 m	230/24V	6,00 m	DIN 43650	Multipack	45	040B0149
Power Cable set 5 m for Power	230/24V	5,00 m	DIN 43650	Industrial pack	50	040B0101
Power Cable set 10 m for Power	230/24V	10,00 m	DIN 43650	Industrial pack	35	040B0102
Power Cable set 15 m for Power	230/24V	15,00 m	DIN 43650	Industrial pack	25	040B0103
Power Cable set 20 m for Power	230/24V	20,00 m	DIN 43650	Industrial pack	20	040B0104

**Table 24: Relay cable**

Description	Voltage	Current	Length	Type	Packaging Format	Quantity per packaging	Code No.
Relay Cable set for Relays 3 m	230/24 V	3,0 A	3,00 m	DIN 43650	Multipack	70	040B0148
Relay Cable set for Relays 5 m	230/24 V	3,0 A	5,00 m	DIN 43650	Multipack	50	040B0152
Relay Cable set for Relays 6 m	230/24 V	3,0 A	6,00 m	DIN 43650	Multipack	45	040B0150
Relay Cable set for Relays 10 m	230/24 V	3,0 A	10,00 m	DIN 43650	Multipack	35	040B0154
Relay Cable set for Relays 15 m	230/24 V	3,0 A	15,00 m	DIN 43650	Multipack	25	040B0156
Relay Cable set for Relays 20 m	230/24 V	3,0 A	20,00 m	DIN 43650	Multipack	20	040B0158

## Oil level Regulators, COM

Description	Voltage	Current	Length	Type	Packaging Format	Quantity per packaging	Code No.
Relay Cable set 5 m for Relay	230/24 V	3,0 A	5,00 m	DIN 43650	Industrial pack	50	040B0111
Relay Cable set 10 m for Relay	230/24 V	3,0 A	10,00 m	DIN 43650	Industrial pack	35	040B0112
Relay Cable set 15 m for Relay	230/24 V	3,0 A	15,00 m	DIN 43650	Industrial pack	25	040B0113
Relay Cable set 20 m for Relay	230/24 V	3,0 A	20,00 m	DIN 43650	Industrial pack	20	040B0114

## Spare part numbers

Table 25: Spare part numbers

Description	Packaging Format	Quantity per packaging	Code No.
Spare part set COM10C (items included: sight glass flange, 3 sight glass screws, oil inlet nozzle, 2 o-ring large, 2 o-ring small, 1 teflon ring small, 1 teflon ring large)	Multipack	24	040B0159
Spare part set COM20C (items included: sight glass flange, 3 sight glass screws, oil inlet nozzle, 2 o-ring large, 2 o-ring small, 1 teflon ring small, 1 teflon ring large)	Multipack	24	040B0160
Spare part 24V Coil (items included: coil, coil nut and washer)	Multipack	81	040B0161
Spare part 230 V Coil (items included: coil, coil nut and washer)	Multipack	81	040B0162

## Certificates, declarations, and approvals

The list contains all certificates, declarations, and approvals for this product type. Individual code number may have some or all of these approvals, and certain local approvals may not appear on the list.

Some approvals may change over time. You can check the most current status at [danfoss.com](https://danfoss.com) or contact your local Danfoss representative if you have any questions.

### Valid approvals

Table 26: Valid approvals



## Online support

Danfoss offers a wide range of support along with our products, including digital product information, software, mobile apps, and expert guidance. See the possibilities below.

### The Danfoss Product Store



The Danfoss Product Store is your one-stop shop for everything product related—no matter where you are in the world or what area of the cooling industry you work in. Get quick access to essential information like product specs, code numbers, technical documentation, certifications, accessories, and more.

Start browsing at [store.danfoss.com](https://store.danfoss.com).

### Find technical documentation



Find the technical documentation you need to get your project up and running. Get direct access to our official collection of data sheets, certificates and declarations, manuals and guides, 3D models and drawings, case stories, brochures, and much more.

Start searching now at [www.danfoss.com/en/service-and-support/documentation](https://www.danfoss.com/en/service-and-support/documentation).

### Danfoss Learning



Danfoss Learning is a free online learning platform. It features courses and materials specifically designed to help engineers, installers, service technicians, and wholesalers better understand the products, applications, industry topics, and trends that will help you do your job better.

Create your Danfoss Learning account for free at [www.danfoss.com/en/service-and-support/learning](https://www.danfoss.com/en/service-and-support/learning).

### Get local information and support



Local Danfoss websites are the main sources for help and information about our company and products. Find product availability, get the latest regional news, or connect with a nearby expert—all in your own language.

Find your local Danfoss website here: [www.danfoss.com/en/choose-region](https://www.danfoss.com/en/choose-region).

### Spare Parts



Get access to the Danfoss spare parts and service kit catalog right from your smartphone. The app contains a wide range of components for air conditioning and refrigeration applications, such as valves, strainers, pressure switches, and sensors.

Download the Spare Parts app for free at [www.danfoss.com/en/service-and-support/downloads](https://www.danfoss.com/en/service-and-support/downloads).

### Coolselector2®



For easy and precise selection of valve, use Danfoss' CoolSelector2® software. You can find the ETS valves on the group, "Electronic expansion valves".

you can download it from [coolselector.danfoss.com](https://coolselector.danfoss.com).

### Danfoss A/S

Climate Solutions • [danfoss.com](https://danfoss.com) • +45 7488 2222

Any information, including, but not limited to information on selection of product, its application or use, product design, weight, dimensions, capacity or any other technical data in product manuals, catalogues descriptions, advertisements, etc. and whether made available in writing, orally, electronically, online or via download, shall be considered informative, and is only binding if and to the extent, explicit reference is made in a quotation or order confirmation. Danfoss cannot accept any responsibility for possible errors in catalogues, brochures, videos and other material. Danfoss reserves the right to alter its products without notice. This also applies to products ordered but not delivered provided that such alterations can be made without changes to form, fit or function of the product.

All trademarks in this material are property of Danfoss A/S or Danfoss group companies. Danfoss and the Danfoss logo are trademarks of Danfoss A/S. All rights reserved.