

Data sheet

Non return valve NVD EF

Description



Valve is used in water systems (sanitary, industrial and agricultural), heating and thermic systems (radiators, boilers, pumps).

Features:

- Limited Headlosses
- Full bore
- Ideal tightness at low and high pressure

Main data:

- DN 15-50
- k_{vs} 4-40 m³/h
- PN 25 and 18
- Medium: Circulation water / water with glycol up to 50 %
- Medium temperature -5 ... 110 °C

A check valve or non-return valve allows fluid to flow through it in only one direction. Its main function is to prevent any reverse flow of fluid in the installation.

Ordering

Picture	DN	k_{vs} (m ³ /h)	PN	T _{min} (°C)	T _{max} (°C)	Code No.
	15	4	25	-5	110	065B8824
	20	8				065B8825
	25	10.3				065B8826
	32	18	18			065B8827
	40	24				065B8828
	50	40				065B8829

Technical data

DN		15	20	25	32	40	50
k_{vs}	m ³ /h	4	8	10.3	18	24	40
Nominal pressure	PN	25			18		
Medium		Circulation water / water with glycol up to 50 %					
Medium temperature	°C	-5 ... 100					
Transport and storage		-30 ... 100					
Min opening Δp	bar	0.02					
Connection type		Internal thread UNI ISO 228					
Materials							
Body and threaded end		Brass CW617N					
Pad		POM					
Spring		AISI 302					
Seats		NBR					

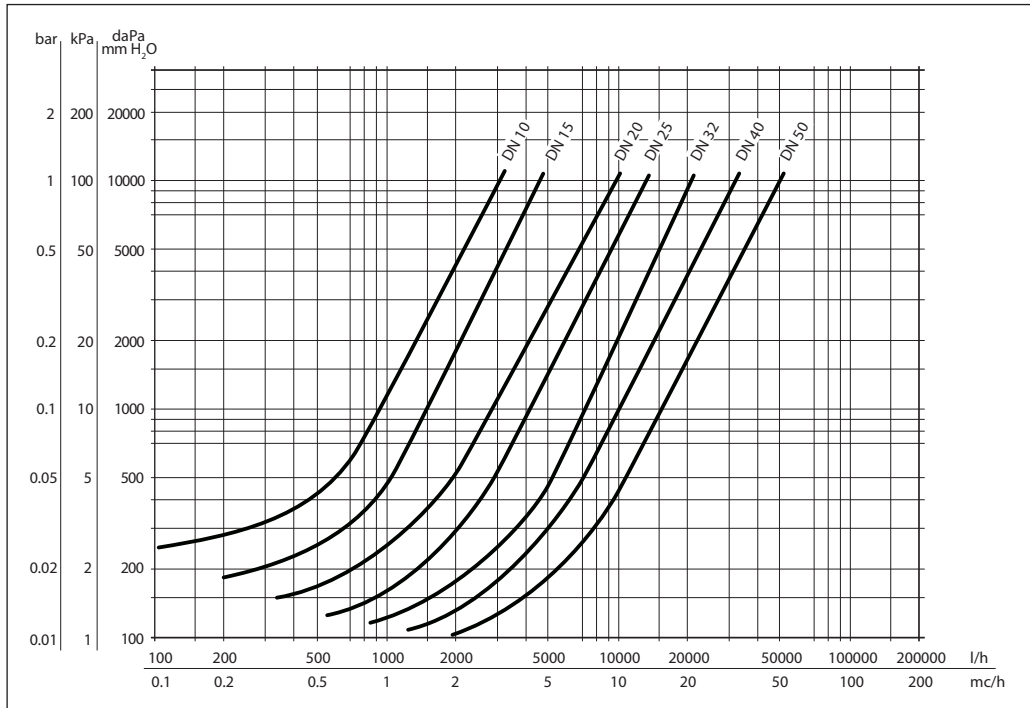
Mounting

The valve can be mounted in all positions. Flow must correspond with an arrow on the body.

Data sheet

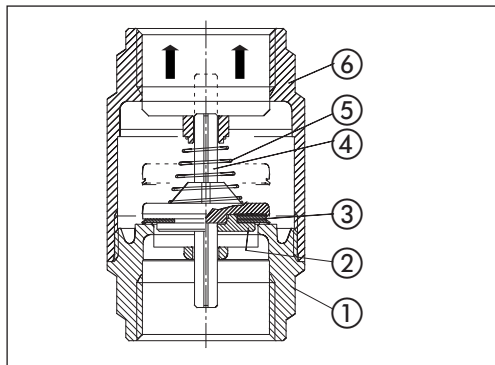
NVD EF

Flow diagram

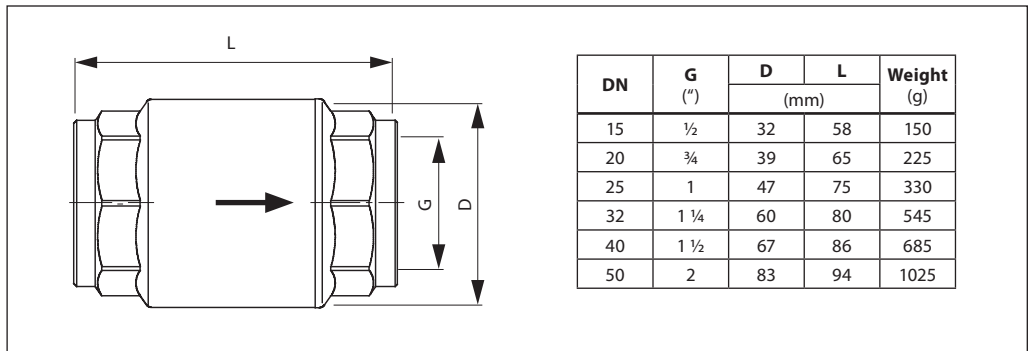


Design

- 1. Threaded end
- 2. Washer
- 3. O-ring
- 4. Spindle
- 5. Spring
- 6. Body



Dimensions



Danfoss can accept no responsibility for possible errors in catalogues, brochures and other printed material. Danfoss reserves the right to alter its products without notice. This also applies to products already on order provided that such alterations can be made without subsequential changes being necessary in specifications already agreed. All trademarks in this material are property of the respective companies. Danfoss and the Danfoss logotype are trademarks of Danfoss A/S. All rights reserved.