

Data sheet

NOZZLE Type HX

General data sheet

For specific information on this product, please contact Danfoss A/S.

Application



Many nozzles are satisfactory for spraying liquids, but for a water spray ask for the Danfoss Type HX nozzle.

Our exclusive design produces a precisely controlled flow rate and spray angle.

The Type HX nozzles were originally designed to make extra fine atomization and precise control of flow rates wherever required.

Minimum operating pressure is 5 bar, but increasingly finer droplets result from higher operating pressure.

The HX nozzle emits a finely atomized spray mist suitable for nearly all humidifying, light wetting, and evaporative cooling application.

With our technology we can achieve humidification and cooling without wetting.

Application

- Adiabatic cooling
- Humidification
- Disinfection
- Dust control
- Wood processing
- Green houses

Features

- Field proven performance for over 75 years
- Accurate, flow rate and spray angle
- Produces a finely atomized mist

Availability

- Standard flow rate: 0,70 - 115 L/h
- Spray angle: 60°, 80° (30° and 45° on request)
- Spray pattern: hollow or solid
- Optional bronze filter

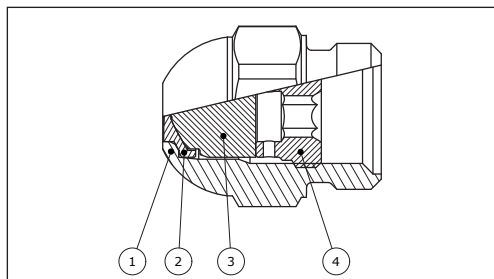
Identification

As an example nozzles are marked with the following.

Danfoss		HX		0.50	80° H
---------	--	----	--	------	-------

HX	HX nozzle
	Batch code
0.50	Flow rate (USgal/h)
80° H	Spray angle and spray pattern

Design

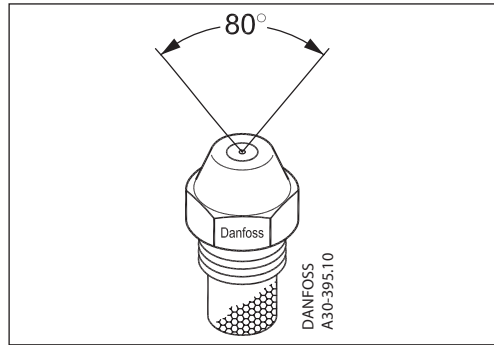


- 1: Round shaped HX housing
- 2: Disc
- 3: Cone
- 4: Bottom screw

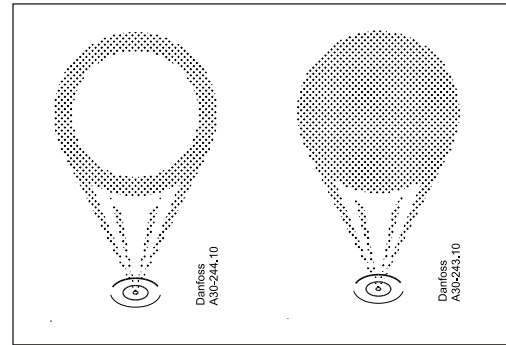
Data sheet

HX Nozzle Type HX

Spray angle and spray pattern



80° spray angle



Hollow spray

Solid spray

Technical data

Material and construction

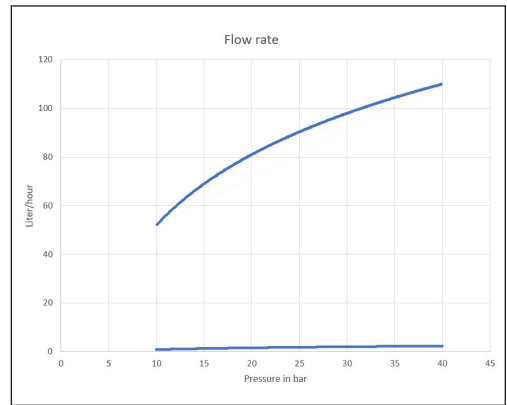
The nozzle housing is tin/nickel plated brass. This coating is very robust and provides a highly valuable corrosion resistance. Stainless Steel AISI 303 is used for the disc and cone. The material is very popular due to its corrosion resistance in water applications.

Flow rates

Standard flow rates are available in the region between the curves in the diagram below.

Tightening torque

Recommended tightening torque	15 to 20 Nm
Maximum tightening torque	25 Nm

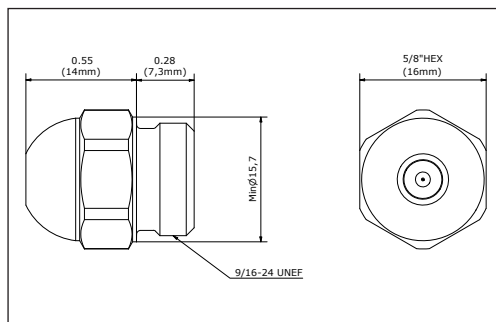


Performance

Minimum recommended operation pressure is 5 bar.
Maximum operation pressure: 80 bar.

Nozzles are available with 4 different spray angles going from 30° to 80°. 2 different spray patterns Solid or Hollow, though 30° only comes with Solid.

Dimensions



* G $\frac{1}{4}$ thread available on request

Danfoss A/S

Climate Solutions • danfoss.com • +45 7488 2222

Any information, including, but not limited to information on selection of product, its application or use, product design, weight, dimensions, capacity or any other technical data in product manuals, catalogues descriptions, advertisements, etc. and whether made available in writing, orally, electronically, online or via download, shall be considered informative, and is only binding if and to the extent, explicit reference is made in a quotation or order confirmation. Danfoss cannot accept any responsibility for possible errors in catalogues, brochures, videos and other material. Danfoss reserves the right to alter its products without notice. This also applies to products ordered but not delivered provided that such alterations can be made without changes to form, fit or function of the product.

All trademarks in this material are property of Danfoss A/S or Danfoss group companies. Danfoss and the Danfoss logo are trademarks of Danfoss A/S. All rights reserved.