

Data Sheet

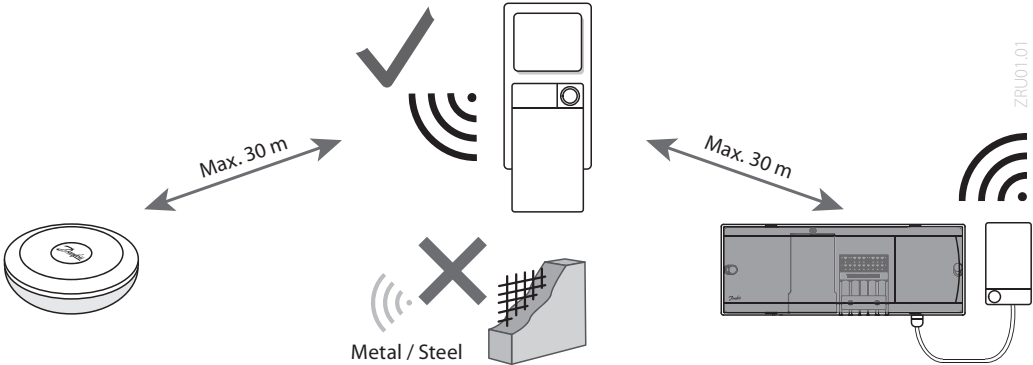
Danfoss Zigbee Repeater

Description



Danfoss Zigbee Repeater is used to extend the range between Zigbee devices or to troubleshoot in systems with objects impeding the signal. The repeater can be plugged directly into a 230 V power outlet.

Application



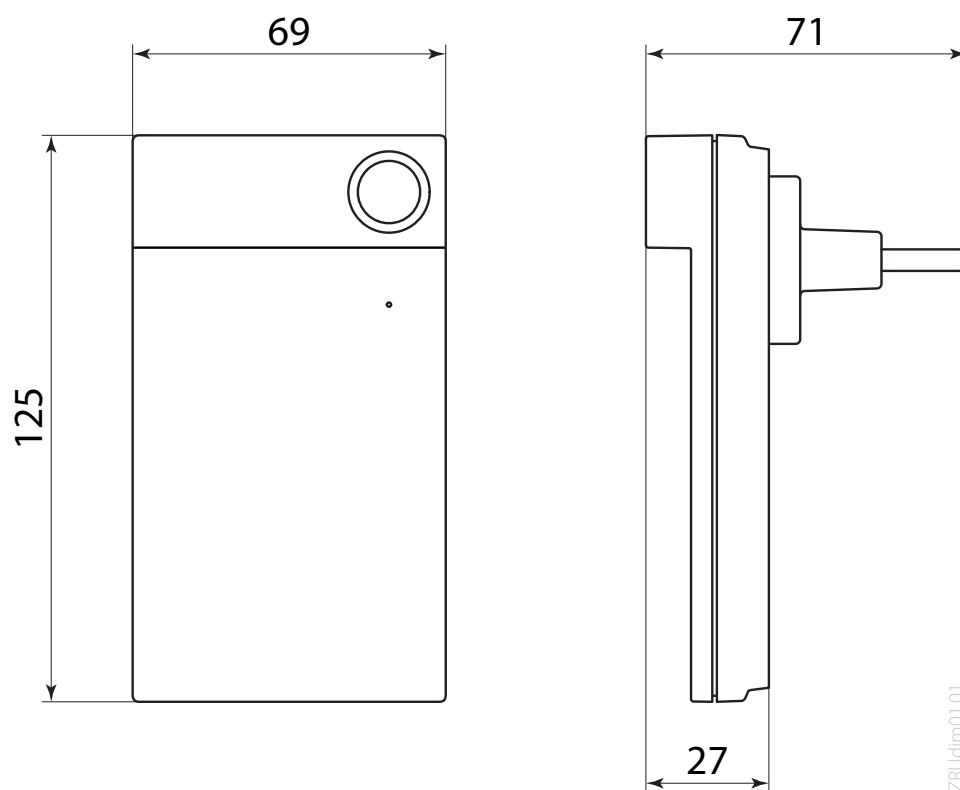
Ordering

Product	Code number
Danfoss Zigbee Repeater	088U1131

Tecnical data

Purpose of control	Extending the range of the radio signal
Ambient temperature range, continuous use	0 °C to 40 °C
Frequency	2,4 GHz
Encapsulation (IP Class)	IP 20
Conformity declared acc. to following directives	RED, RoHS
Over voltage category	Class III
Supply voltage	230 V AC, 50 Hz
Temperature for the ball pressure test	75 °C
Control pollution degree	Degree 2, normal household environment
Software class	Class A
Rated impulse voltage	4 kV
Operating time	Permanently connected
Temperature range, storage and transportation	-20 °C to +65 °C
Disposal instructions	The product must be disposed as electronic waste

Drawings



Danfoss A/S

Heating Segment • danfoss.com • +45 7488 2222 • E-Mail: heating@danfoss.com

Danfoss can accept no responsibility for possible errors in catalogues, brochures and other printed material. Danfoss reserves the right to alter its products without notice. This also applies to products already on order provided that such alterations can be made without subsequential changes being necessary in specifications already agreed. All trademarks in this material are property of the respective companies. Danfoss and all Danfoss logotypes are trademarks of Danfoss A/S. All rights reserved.