

Data Sheet

Gateway Unit
Type **X-Gate**

Configurable gateway device for field integration



Danfoss X-Gate provides a flexible solution for translating the most common field protocols into Modbus RTU, facilitating integration within the System Manager.

Field protocols supported:

- Modbus RTU or TCP/IP
- BACnet MS/TP or IP
- CANBus

Moreover X-Gate provides northbound integration with Building Management System (BMS) by reading the XML Interface from System Manager and translating into: Modbus IP or BACnet IP.

Features

- X-Gate is an advanced Linux based device with the main capability to translate protocols from a “source of data” and make these data (typically data-points) available for a specific “destination of data”.
- X-Gate can be easily installed into an electrical panel thanks to the DIN-rail mounting design
- X-Gate has been designed with a modular concept. On the main board there are built-in multiple access channels:
 - 2 independent ethernet card to maintain separate and secure the potential two LAN network connected.
 - 1 RS485 port
 - 1 CANBus port
- X-Gate can accommodate an extra RS485 port as expansion module.
- In addition, X-Gate can accommodate a 4G modem as expansion module to establish an independent connection outside the local network.
- On the Southbound, X-Gate can source data from the common list of protocols:
 - Modbus RTU (or ASCII) or TCP/IP
 - BACNet IP or MS/TP
 - CANBus
- On the Northbound, X-Gate can provide data over a common list of protocols:
 - Modbus RTU or TCP/IP
 - BACNet IP
 - SNMP
- X-Gate provides a user-friendly web interface for the full system configuration with access control via account & password and user profile.

Product specification

Technical Data

Table 1: System resources

CPU	i.MX6UL ARM Cortex A7 Single Core - 528 MHz
Operating System	Linux Yocto
Flash	4 GB
RAM	512 MB
Real Time Clock (RTC Back-up)	Yes (SuperCAP)
LEDs	1 - RGB

Table 2: Interface

Ethernet port	2 - 10/100 BaseT
USB port	1 - USB 2.0 OTG (500 mA max., Type C)
RS485 port	1 (isolated, Modbus Master/Slave configuration)
CAN/CAN-FD port	1 (isolated)
Expansion port	Yes

Table 3: Ratings

Power supply	24 V AC/DC (not isolated) +/-15%
Current Consumption	0.8 A (full load)
Input Protection	Electronic Fuse

Table 4: Environment Conditions

Operating temp	-20 to +60 °C
Storage temp	-30 to +70 °C
Operating / Storage Humidity	5 – 90% RH, non-condensing
Protection Class	IP20

Table 5: Dimensions and Weight

Height (H)	110 mm
Width (W)	25.4 mm
Depth (D)	75 mm
Weight	0.140 Kg

Expansion Module

Expansion modules can be easily fit together with the main X-Gate board thank to the fast-connection design and installed over a DIN-rail bar.

Figure 1: Expansion module snap-fit

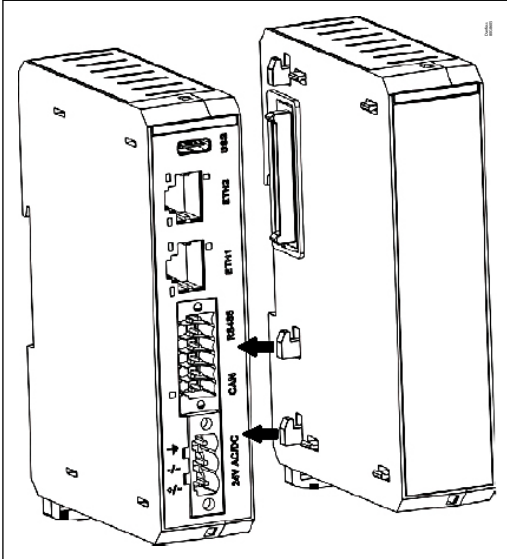


Figure 2: Input/output list

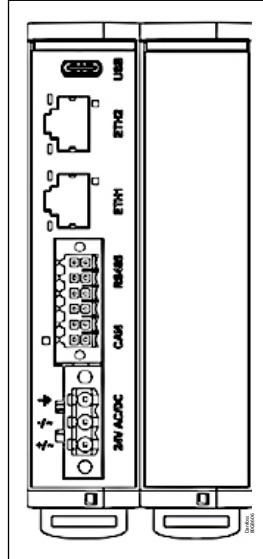
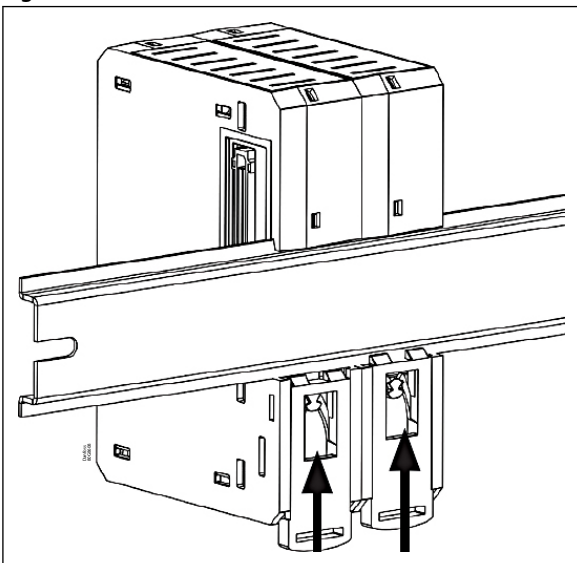


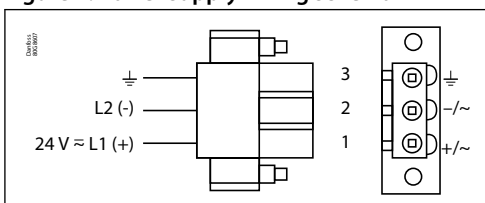
Figure 3: Din-rail fit



Power supply and wiring

X-Gate need a 24 V AC/DC power supply. X-Gate packaging does not include the external adapter. Connector is already included in the packaging with the following wiring schema.

Figure 4: Power supply wiring schema



LED behavior

At startup

Steady Green	X-Gate starting
--------------	-----------------

Steady Violet	X-Gate updating
---------------	-----------------

Blinking Green	X-Gate running
----------------	----------------

Normal operation

Blinking Green	X-Gate running
----------------	----------------

Blinking Red	X-Gate with alarm active
--------------	--------------------------

Steady Green or Black	X-Gate rebooting
-----------------------	------------------

Ordering

Table 6: Ordering

Type	Description	Code No.
X-Gate	X-Gate main board	080G0342
RS485 Module	X-Gate RS485 Serial expansion module	080G0343

Online support

Danfoss offers a wide range of support along with our products, including digital product information, software, mobile apps, and expert guidance. See the possibilities below.

The Danfoss Product Store



The Danfoss Product Store is your one-stop shop for everything product related—no matter where you are in the world or what area of the cooling industry you work in. Get quick access to essential information like product specs, code numbers, technical documentation, certifications, accessories, and more.

Start browsing at store.danfoss.com.

Find technical documentation



Find the technical documentation you need to get your project up and running. Get direct access to our official collection of data sheets, certificates and declarations, manuals and guides, 3D models and drawings, case stories, brochures, and much more.

Start searching now at www.danfoss.com/en/service-and-support/documentation.

Danfoss Learning



Danfoss Learning is a free online learning platform. It features courses and materials specifically designed to help engineers, installers, service technicians, and wholesalers better understand the products, applications, industry topics, and trends that will help you do your job better.

Create your Danfoss Learning account for free at www.danfoss.com/en/service-and-support/learning.

Get local information and support



Local Danfoss websites are the main sources for help and information about our company and products. Find product availability, get the latest regional news, or connect with a nearby expert—all in your own language.

Find your local Danfoss website here: www.danfoss.com/en/choose-region.

Danfoss A/S

Climate Solutions • danfoss.com • +45 7488 2222

Any information, including, but not limited to information on selection of product, its application or use, product design, weight, dimensions, capacity or any other technical data in product manuals, catalogues descriptions, advertisements, etc. and whether made available in writing, orally, electronically, online or via download, shall be considered informative, and is only binding if and to the extent, explicit reference is made in a quotation or order confirmation. Danfoss cannot accept any responsibility for possible errors in catalogues, brochures, videos and other material. Danfoss reserves the right to alter its products without notice. This also applies to products ordered but not delivered provided that such alterations can be made without changes to form, fit or function of the product.

All trademarks in this material are property of Danfoss A/S or Danfoss group companies. Danfoss and the Danfoss logo are trademarks of Danfoss A/S. All rights reserved.