

Data Sheet

PLUS+1[®] Mobile Machine Displays

DM700 Series

Expanding the PLUS+1[®] family, the Danfoss DM700 display series bring modern appearance and performance to mobile machine markets.

The DM700 series delivers outstanding operator visibility with its high brightness, wide viewing angles, optical bonding, anti-glare, anti-reflection and oleophobic coating.

The DM700 is built to withstand harsh operating environments with its IP66 and IP67 rating and the water-resistant screen, allowing for multi-touch while wearing gloves.

The integrated file viewer and media player provides view of documents and media files.

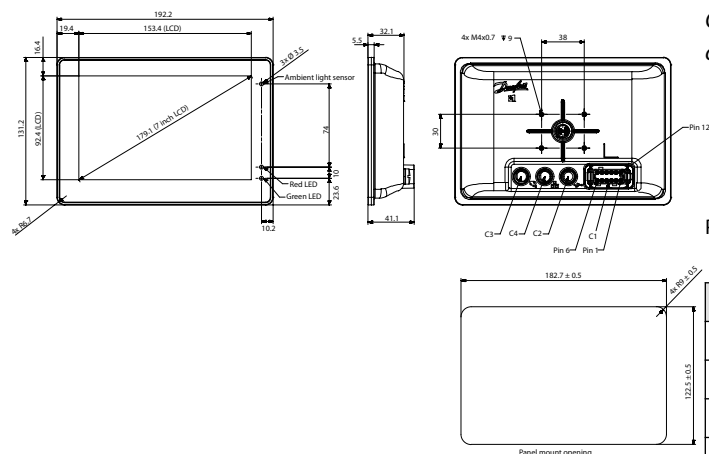


Features

- Standard Features Version
 - Outstanding Sunlight visibility
 - IPS LCD Technology with optical bonding
 - Media Player, PDF Viewer and File Browser
 - USB 2.0 High-Speed Device/Host (shared)
 - PLUS+1[®] GUIDE programmable
 - Qt Enabled (Plugin Design Studio to PLUS+1[®] GUIDE)
 - Landscape and portrait orientation
 - Integrated ambient light sensor
 - 2 CAN ports
 - Fast Start-up Time (~5 sec)
 - RAM[®] or Dashboard Mount
 - Touch Screen (optional)
- Video Features (optional)
 - Double Camera Input
- Optional Features Version (optional)
 - 32 MB App Log
 - Ethernet
- CE Compliant, E-Mark (pending) and RoHS Compliant

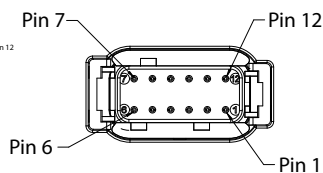
Comprehensive technical literature is online at <http://www.danfoss.com>

Dimensions



Connector

C1 – DEUTSCH DTM06-12SA 12-pin connector



C1 pin	Function
1	Power ground -
2	Power supply +
3	CAN 0+
4	CAN 0-
5	DigIn/AnIn/CAN Shield
6	CAN 1+
7	CAN 1-
8	Sensor Supply Out (+5 V)
9	Digital Input
10	Multifunction input (Digin/Anin/Freq/4-20mA/Rheostat)
11	Multifunction input (Digin/Anin/Freq/4-20mA/Rheostat)
12	Digital out (0.5A sinking)

Technical specifications

Processor	i.MX6 DualLite
RAM	512MB
Flash	4GB
FRAM	16KB
Supply Voltage	9-36 Vdc
Size	7"
Aspect Ratio	5:3 Wide View
Resolution	800x480, IPS
Brightness	800 cd/m ²
Contrast Ratio	600:1
Viewing Angle	±90° Vertical and Horizontal
Color Depth	24 bit
IP Rating	IP66 an IP67 front and back
Operating Temperature	-30 C to +70C [-22F to 158F]
Storage Temperature	-40 C to +85C [-40F to 158F]
Vibration/Shock	IEC 60068-2-64 (3.17gRMS) /2-27 (50g)
EMI/RFI Rating (V/m)	100
Humidity	IEC 60068-2-78, 60068-2-30
Transients	ISO 7637/1, 2, 3
Real Time Clock (RTC)	30 days
Weight	0.8Kg

C2 – M12 8Pin, Female, USB On-The-Go (Device/Host) "A" Key



Pin	Function
C2p1	Device/Host Data +
C2p2	Device/Host Data -
C2p3	Device/Host Vbus
C2p4	Device Id
C2p5	Ground
C2p6	Manufacturing Use Only(leave floating)
C2p7	Ground
C2p8	Ground

C3--M12 5 Pin, Video, Female "A" Key
(Optional)



Pin	Function
1	Power Ground
2	Power Supply
3	Signal Input 0
4	Signal Ground
5	Signal Input 1

C4 – M12 4 Pin, Ethernet, Female "D" Key (Optional)



Pin	Function
1	TxD+
2	RxD+
3	TxD-
4	RxD-

Variants/part numbers

Part Number	Model Code	Description
11277810	DM07N-NN-2NB-ND-A-N-NN	7" Display Basic
11277811	DM07N-TN-2NB-ND-A-N-NN	7" Display Basic+Touch
11277883	DM07N-NN-2NB-2D-A-N-NN	7" Display Basic + Video
11301837	DM07N-TN-2NB-2D-A-N-NN	7" Display Basic + Video +Touch
11277885	DM07N-NN-2EB-2D-A-N-NN	7" Display Advanced
11277886	DM07N-TN-2EB-2D-A-N-NN	7" Display Advanced + Touch
11336589	DM07N-TN-2NB-ND-A-Q-NN	7" Display Basic+Touch, Qt
11336590	DM07N-TN-2NB-2D-A-Q-NN	7" Display Basic + Video +Touch, Qt
11336597	DM07N-TN-2EB-2D-A-Q-NN	7" Display Advanced + Touch, Qt

Related products part numbers

Connector Kit	
10100944	DEUTSCH 12-pin Connector kit(DTM06-12SA)

Panel Mounting Kits	
11308687	MOUNTING BRACKET ASM, DM700

Cable Kits	
11277305	Cable, M12 8-Pin to USB Device A code
*	
*	

Software	
11179523 (Annual renewal with 11179524 to keep the software updates)	PLUS+1® GUIDE Professional Software (includes 1 year of software updates, a single user license, Service and Diagnostic Tool and Screen Editor)
Qt design studio	Procured from QT please visit www.qt.io

Danfoss can accept no responsibility for possible errors in catalogues, brochures and other printed material. Danfoss reserves the right to alter its products without notice. This also applies to products already on order provided that such alterations can be made without subsequent changes being necessary in specifications already agreed. All trademarks in this material are property of the respective companies. Danfoss and the Danfoss logotype are trademarks of Danfoss A/S. All rights reserved.