

Data Sheet

Shut-off valve Type **SVA DH** and **SVA DL** 250 – 300

Designed to meet all industrial refrigeration application requirements



SVA-DL and SVA-DH are angleway shut-off valves designed to meet all industrial refrigeration application requirements.

SVA-DL (Delta pressure Low)

It is designed with a restriction in the opening function. High differential pressure can be applied from the side port and reduced pressure can be applied from bottom port. SVADL is a twostep valve for pressure relief.

SVA-DH (Delta pressure High)

is designed without restriction in the opening function. As a result of its balanced design this valve is able to open at all differential pressures with limited torque. The angleway shut-off valves are carefully designed to give favorable flow conditions. Easy to dismantle for inspection and repair.

Both SVA-DL & SVA-DH shut-off valves have internal backseating enabling the spindle seal to be replaced with the valve still under pressure.

The valves are designed to give favourable flow characteristics and are easy to dismantle for servicing. The valve cone is designed to ensure perfect closing.

Features

- Optional accessories:
 - Heavy duty industrial handwheel for frequent operation
 - Vented cap for infrequent operation
- Available in angleway version with extended bonnet for insulated systems
- The valve caps can be wire-sealed, to prevent operation by unauthorised persons
- Internal PTFE backseating
- The bonnet is suitable for installation in insulated low temperature applications
- The housing and bonnet are made from low temperature steel in accordance with the requirements of the Pressure Equipment Directive and other international classification authorities
- Classification: DNV, CRN, BV, EAC etc.

Portfolio overview

Figure 1: SVA-DL & SVA-DH



Table 1: Portfolio overview

Description	Features
Valve body/connection material	Steel
Equipment	Handwheel/Cap
Connection standard	EN 10220 ASME B 36.10M SCHEDULE 40/STD DIN 2448
Connection type	Butt weld
Max. temperature range	-60 °C – 150 °C (-76 °F – +302 °F)
Max. working pressure [bar/psig]	40 bar (580 psig) at -60 °C – +60 °C (-76 °F – +140 °F) 36 bar (522 psig) at +60 °C – +80 °C (+140 °F – +176 °F) 32 bar (464 psig) at +80 °C – +120 °C (+176 °F – +248 °F) 28 bar (406 psig) at +120 °C – +150 °C (+248 °F – +302 °F)
Packing format	Single pack

Functions

SVA-DL

The **SVA-DL** shut-off valve is designed with a restriction in the flow direction (differential pressure). To ensure the most favourable valve performance the flow must be directed from the side port towards the valve cone. Operation of the valve with flow in this direction is made possible by the two-step opening valve cone as illustrated below.

SVA-DH

The **SVA-DH** shut-off valve is designed without restrictions in either flow direction or differential pressure. Due to the balanced valve cone design the torque required to operate the valve is minimized and the valve can be opened and closed against high pressure with flow in any direction.

Pressure

Table 2: Pressure SVA-DL and SVA-DH

SVA-DL	SVA-DH
<p>SVA 250: $\Delta P_{max} = 9$ bar SVA 300: $\Delta P_{max} = 6$ bar</p>	<p>$\Delta P_{max} = 40$ bar</p>

Flow

Table 3: Flow SVA-DL and SVA-DH

SVA-DL	SVA-DH

NOTE:

Above pressures indicates the maximum pressures at which the the valve can be operated manually and tightness can be achieved.

Media

Refrigerants

Applicable to HC, HCFC, HFC, R717 (Ammonia) and R744 (CO₂).

SVA-DH-A for HCFC, HFC, R717 (Ammonia), R744 (CO₂) and HC except R1270 (Propylene). SVA-DH-E for R1270 (Propylene) applications.

New refrigerants

Danfoss products are continually evaluated for use with new refrigerants depending on market requirements.

When a refrigerant is approved for use by Danfoss, it is added to the relevant portfolio, and the R number of the refrigerant (e.g. R513A) will be added to the technical data of the code number. Therefore, products for specific refrigerants are best checked at store.danfoss.com/en/, or by contacting your local Danfoss representative.

Product specification

Pressure and temperature

Figure 2: Pressure and temperature graph

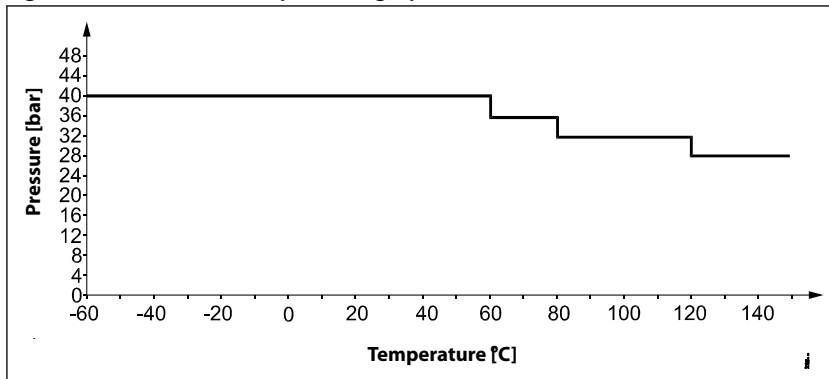


Table 4: Pressure and temperature

Temperature range	Max Working Pressure @ specific temperature range
-60 °C – +150 °C (-76 °F – +302 °F)	40 bar (580 psig) at -60 °C – +60 °C (-76 °F – +140 °F) 36 bar (522 psig) at +60 °C – +80 °C (+140 °F – +176 °F) 32 bar (464 psig) at +80 °C – +120 °C (+176 °F – +248 °F) 28 bar (406 psig) at +120 °C – +150 °C (+248 °F – +302 °F)

Design

Housing and bonnet

Made from special, cold-resistant steel approved for low temperature operations.

Bolts

Stainless steel, Quality A2-70.

Valve cone assembly

The valve cone assembly is turnable on the spindle, thus there is no friction between cone and seat when the valve is opened and closed. A Teflon tightening ring provides perfect sealing at a minimum closing torque.

Spindle

Made of polished stainless steel, ideal for O-ring sealing.

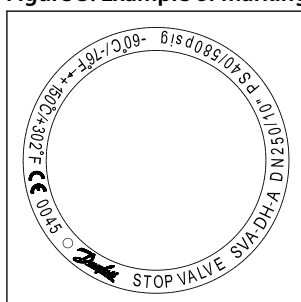
Packing gland

The packing gland comprises a spring loaded seal packing which ensures perfect tightness in the range: -60 °C – 150 °C (-76 °F – 302 °F). Furthermore, the packing glands incorporate a scraper ring to prevent the penetration of dirt and ice.

Marking

Each valve type is clearly marked with type, size and performance range

Figure 3: Example of marking ring, SVA-DH-A



Shut-off valves, Type SVA DH and SVA DL 250 – 300

SVA-DH-A: For HCFC, HFC, R717 (Ammonia), R744 (CO₂) and HC except R1270 (Propylene).

SVA-DH-E: For R1270(Propylene) applications.

Material specification

SVA-DL 250-300

Figure 4: SVA-DL 250-300

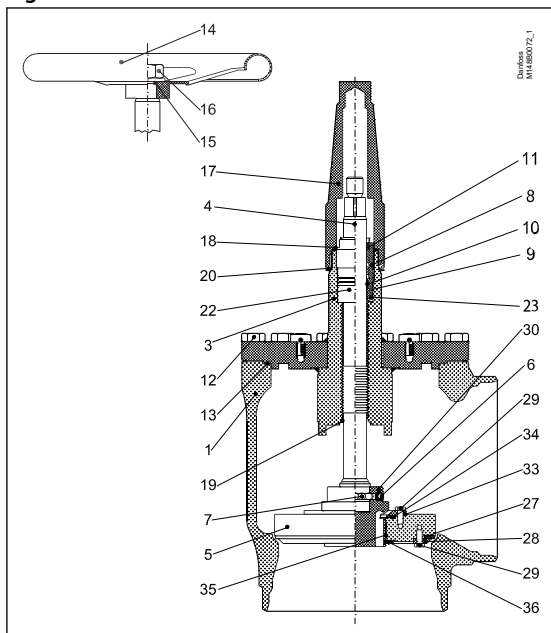


Table 5: SVA-DL 250 - 300

No.	Part	Material	EN	ASTM
1	Housing	Steel	G20Mn5 QT, EN 10213-3	LCC, A352
3	Bonnet	Steel	P275NL1, EN 10028-3 G20Mn5QT EN 10213-3	Grade A, A662 LCC, A352
4	Spindle	Steel	X5CrNi18-10, EN10088	AISI 304
5	Cone	Steel	P275NL1, EN 10028-3	Grade A, A662
6	Set screw	Steel	Quality 8.8	Grade 5
7	Balls	Stainless steel		
8	Packing Gland	Stainless steel	X8CrNiS18-9 10088	AISI 303
9	O-ring	Chloroprene (Neoprene)		
10	Spring loaded Teflon ring	PTFE		
11	O-ring	Chloroprene (Neoprene)		
12	Bolts	Stainless steel	A2-70	Type 308
13	Gasket	Fiber, Non-asbestos		
14	Handwheel	Steel		
15	Washer	Stainless steel		
16	Lock nut	Stainless steel+nylon		
17	Cap	Aluminium	AlMgSi1	
18	Gasket for cap	Nylon (PA 6)		
19	Soft backseat	Teflon (PTFE)		
20	Identification ring	Stainless steel		
22	Guide for spindle	Steel	11SMn30	Grade1213, A29
23	O-ring	PTFE/FKM		
27	Gasket	Teflon (PTFE)		
28	Front for valve cone	Steel	S235JRG2, EN10025	Grade C, A283
29	Bolts	Steel	Quality 8.8	Grade 5
30	Insert, valve cone	Spheroidal graphite cast iron	EN-GJS-250	Class 40B
31	Lifting eye bolts	Steel		
33	Backing for valve cone	Steel	S235JRG2, EN10025	Grade C, A283

Shut-off valves, Type SVA DH and SVA DL 250 – 300

No.	Part	Material	EN	ASTM
34	Gasket	Teflon (PTFE)		
35	Wear ring	Teflon (PTFE)		
36	Retaining ring	Spring steel		

SVA-DH 250 - 300

Figure 5: SVA-DH 250-300

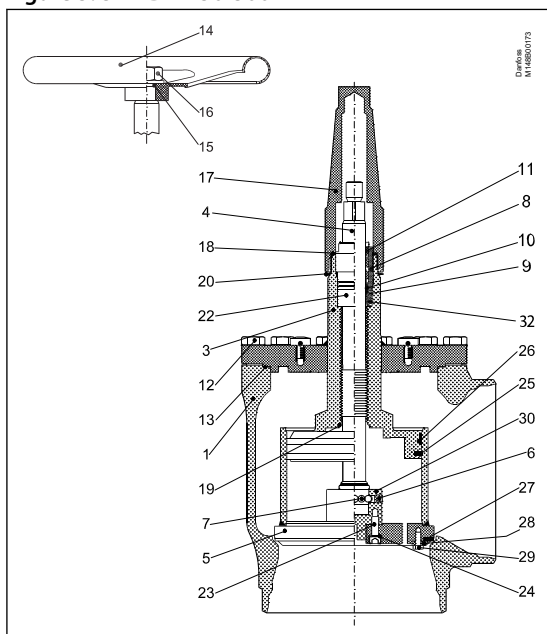


Table 6: SVA-DH 250 - 300

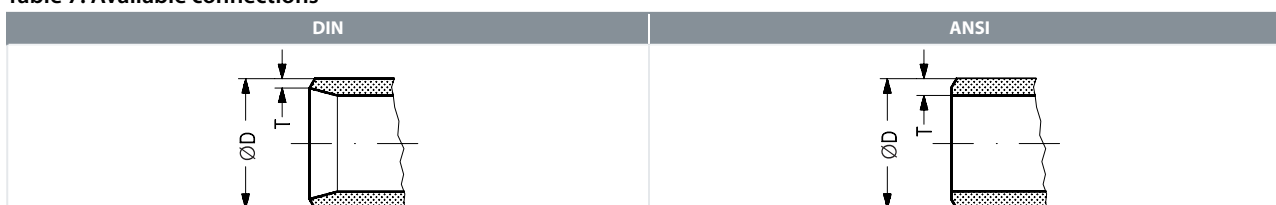
No.	Part	Material	EN	ASTM
1	Housing	Steel	G20Mn5 QT, EN 10213-3	LCC, A352
3	Bonnet	Steel	P275NL1, EN 10028-3 G20Mn5QT EN 10213-3	Grade A, A662 LCC, A352
4	Spindle	Steel	X5CrNi18-10 DIN 17440	
5	Cone	Steel	P275NL1, EN 10028-3	Grade A, A662
6	Set screw	Steel	Quality 8.8	Grade 5
7	Balls	Stainless steel		
8	Packing Gland	Stainless steel	X8CrNiS18-9 10088	AISI 303
9	O-ring	Chloroprene (Neoprene)		
10	Spring loaded Teflon ring	PTFE		
11	O-ring	Chloroprene (Neoprene)		
12	Bolts	Stainless steel	A2-70	Type 308
13	Gasket	Fiber, Non-asbestos		
14	Handwheel	Steel		
15	Washer	Stainless steel		
16	Lock nut	Stainless steel+nylon		
17	Cap	Aluminium	AlMgSi1	
18	Gasket for cap	Nylon (PA 6)		
19	Soft backseat	Teflon (PTFE)		
20	Identification ring	Stainless steel		
22	Guide for spindle	Steel	11SMn30	Grade1213, A29
23	Bolts	Steel		
24	Washer	Steel		
25	O-ring + Glyd ring	O-ring: FKM for SVA-DH-E Chloroprene (Neoprene) for SVA-DH-A Glyd ring: PTFE		
26	Wear ring	Teflon (PTFE)		
27	Gasket	Teflon (PTFE)		

Shut-off valves, Type SVA DH and SVA DL 250 – 300

No.	Part	Material	EN	ASTM
28	Front for valve cone	Steel	S235JRG2, EN10025	Grade C, A283
29	Bolts	Steel	Quality 8.8	Grade 5
30	Insert, valve cone	Spheroidal graphite cast iron	EN-GJS-250	Class 40B
31	Lifting eye bolts	Steel		
32	O-ring	PTFE/FKM		

Connections

Table 7: Available connections



Welding DIN (2448)

Table 8: Welding DIN (2448)

Type	Size		øD	T	øD	T	K _V	C _V
	mm	in.	mm	mm	in.	in.	m ³ /h	U _{s_{gal}} /min
SVA-DH	250	10	273	6.3	10.75	0.25	1405	1630
SVA-DL							1610	1868
SVA-DH	300	12	323.9	7.1	12.75	0.28	1870	2169
SVA-DL							2082	2415

Welding ANSI (B 36.10)

Table 9: Welding ANSI (B 36.10)

Type	Size		øD	T	øD	T	K _V	C _V
	mm	in.	mm	mm	in.	in.	m ³ /h	U _{s_{gal}} /min
SVA-DH	250	10	273	9.3	10.75	0.25	1405	1630
SVA-DL							1610	1868
SVA-DH	300	12	323.9	9.5	12.75	0.28	1870	2169
SVA-DL							2082	2415

Dimensions and weights

Table 10: Dimensions and weights

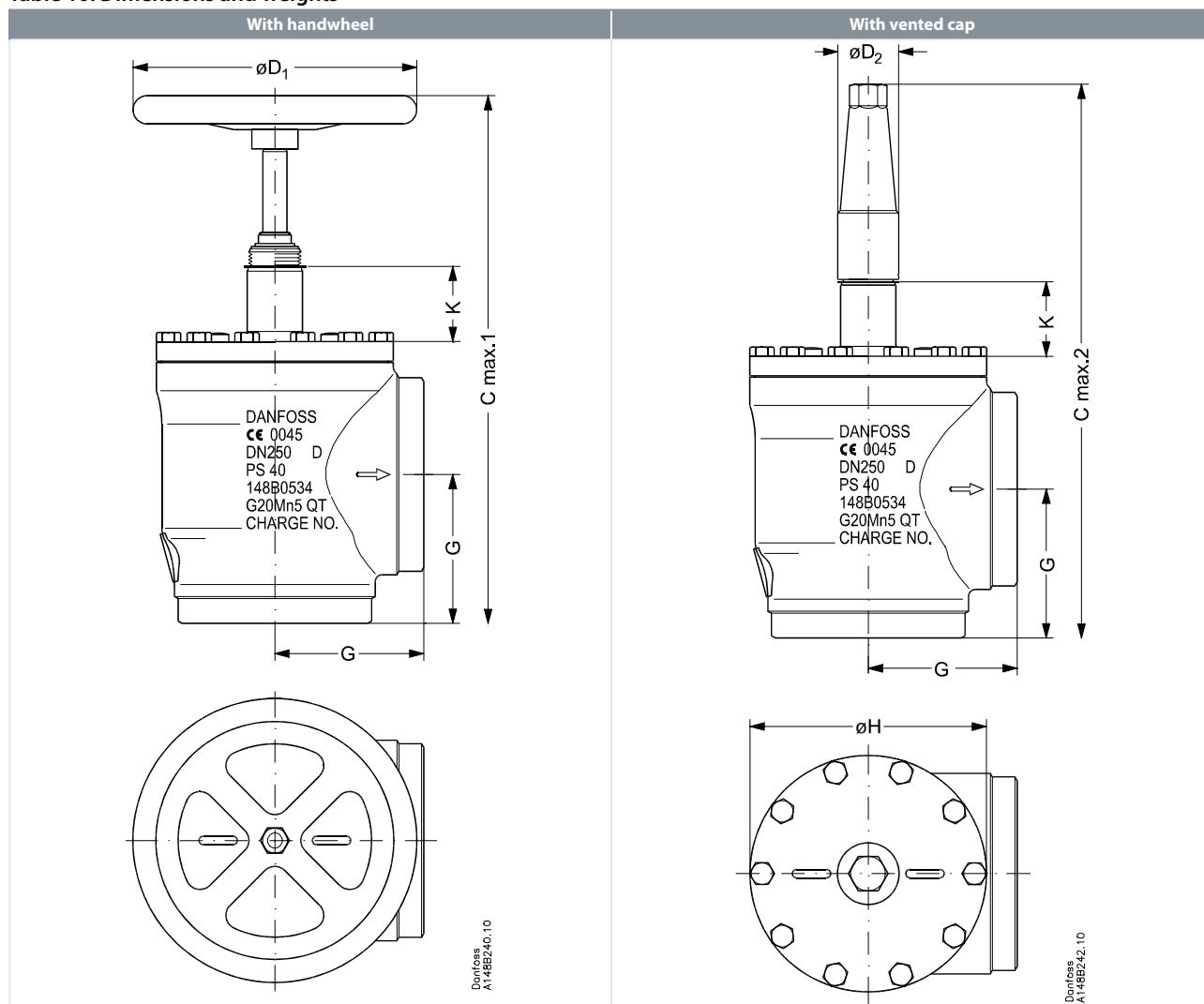


Table 11: SVA-DH, SVA-DL 250-300, angleway version

Valve size		K	C _{max.1}	C _{max.2}	G	$\varnothing D_1$	$\varnothing D_2$	$\varnothing H$	Weight
SVA-DL / SVA-DH									
SVA 250	mm	102	745	782	210	400	86	334	130 kg
SVA (10)	in.	4	29.33	30.79	8.27	15.75	3.39	13.14	287 lb
SVA 300	mm	102	852	842	240	500	86	384	190 kg
SVA (12)	in.	4	33.54	33.14	9.45	19.69	3.39	15.12	419 lb

NOTE:

Specified weights are nominal, and may differ depending on actual configuration of the code number.

Ordering

The table below can be used to identify the valve required.

Please note that the type codes only serve to identify the valves, some of which may not form part of the standard product range.

For further information please contact your local Danfoss Sales Company.

Table 12: Identify the valve

Valve type Nominal size in mm	SVA-DL SVA-DH	Shut-off valve	(Δp Low) (Δp High)	
			Available connections	
			D	A
(Valve size measured on the connection diameter)	250	DN250	X	X
	300	DN300	X	X
Connections	D	Butt weld connection: DIN 2448		
	A	Butt weld connections: ANSI B 36.10 DN250: Schedule 40 and DN300: STD		
Other equipment	CAP	Aluminum cap		
	H-WHEEL	Steel handwheel		

NOTE:

Where products need to be certified according to specific certification societies or where higher pressures are required, contact your local Danfoss Sales Company .

Table 13: SVA-DL for all approved refrigerants

Type	Size		Code number
	mm	in.	
SVA-DL 250 D CAP	250	10	148B3760
SVA-DL 250 D H-WHEEL	250	10	148B3761
SVA-DL 250 A CAP	250	10	148B3762
SVA-DL 250 A H-WHEEL	250	10	148B3763
SVA-DL 300 D CAP	300	12	148B3770
SVA-DL 300 D H-WHEEL	300	12	148B3771
SVA-DL 300 A CAP	300	12	148B3772
SVA-DL 300 A H-WHEEL	300	12	148B3773

Table 14: SVA-DH-A for HCFC, HFC, R717 (Ammonia), R744 (CO₂) and HC except R1270 (Propylene)

Type	Size		Code number
	mm	in.	
SVA-DH-A 250 D CAP	250	10	148B4823
SVA-DH-A 250 D H-WHEEL	250	10	148B4824
SVA-DH-A 250 A CAP	250	10	148B4825
SVA-DH-A 250 A H-WHEEL	250	10	148B4826
SVA-DH-A 300 D CAP	300	12	148B4827
SVA-DH-A 300 D H-WHEEL	300	12	148B4828
SVA-DH-A 300 A CAP	300	12	148B4829
SVA-DH-A 300 A H-WHEEL	300	12	148B4830

Table 15: SVA-DH-E for R1270 (Propylene) applications

Type	Size		Code number
	mm	in.	
SVA-DH-E 250 D H-WHEEL	250	10	148B4831
SVA-DH-E 250 A H-WHEEL	250	10	148B4832
SVA-DH-E 300 D H-WHEEL	300	12	148B4833
SVA-DH-E 300 A H-WHEEL	300	12	148B4834

A = ANSI butt-weld; **H-WHEEL**: Handwheel

D = DIN butt-weld; **CAP**: Vented cap

Certificates, declarations, and approvals

The list contains all certificates, declarations, and approvals for this product type. Individual code number may have some or all of these approvals, and certain local approvals may not appear on the list.

Some approvals may change over time. You can check the most current status at danfoss.com or contact your local Danfoss representative if you have any questions.


Table 16: Valid Approvals

Type	File name	Document type	Document topic	Approval authority
SVA-DL 250	CRN.0C16578.523467890YTN	Pressure - Safety Certificate	CRN	TSSA
SVA-DL 300	0045 202 1201 Z 00423 19 D 001(00)	Pressure - Safety Certificate	PED	TÜV
	CRN.0C16578.523467890YTN	Pressure - Safety Certificate	CRN	TSSA
SVA-DH 250	CRN.0C16578.523467890YTN	Pressure - Safety Certificate	CRN	TSSA
SVA-DH 300	0045 202 1201 Z 00423 19 D 001(00)	Pressure - Safety Certificate	PED	TÜV
	CRN.0C16578.523467890YTN	Pressure - Safety Certificate	CRN	TSSA

Table 17: Compliance

Nominal bore	DN 250 mm (10 in.)	DN 300 (12 in.)
Classified for	Fluid group I	
Category	III	IV

Table 18: Pressure Equipment Directive (PED)

	SVA-DL and SVA-DH valves are approved and CE marked in accordance with the Pressure Equipment Directive - 97/23/EC. For further details / restrictions - see Installation guide.
--	--

Online support

Danfoss offers a wide range of support along with our products, including digital product information, software, mobile apps, and expert guidance. See the possibilities below.

The Danfoss Product Store



The Danfoss Product Store is your one-stop shop for everything product related—no matter where you are in the world or what area of the cooling industry you work in. Get quick access to essential information like product specs, code numbers, technical documentation, certifications, accessories, and more.

Start browsing at store.danfoss.com.

Find technical documentation



Find the technical documentation you need to get your project up and running. Get direct access to our official collection of data sheets, certificates and declarations, manuals and guides, 3D models and drawings, case stories, brochures, and much more.

Start searching now at www.danfoss.com/en/service-and-support/documentation.

Get local information and support



Local Danfoss websites are the main sources for help and information about our company and products. Find product availability, get the latest regional news, or connect with a nearby expert—all in your own language.

Find your local Danfoss website here: www.danfoss.com/en/choose-region.

Danfoss Learning



Danfoss Learning is a free online learning platform. It features courses and materials specifically designed to help engineers, installers, service technicians, and wholesalers better understand the products, applications, industry topics, and trends that will help you do your job better.

Create your Danfoss Learning account for free at www.danfoss.com/en/service-and-support/learning.

Spare Parts



Get access to the Danfoss spare parts and service kit catalog right from your smartphone. The app contains a wide range of components for air conditioning and refrigeration applications, such as valves, strainers, pressure switches, and sensors.

Download the Spare Parts app for free at www.danfoss.com/en/service-and-support/downloads.

Coolselector®2 - find the best components for you HVAC/R system



Coolselector®2 makes it easy for engineers, consultants, and designers to find and order the best components for refrigeration and air conditioning systems. Run calculations based on your operating conditions and then choose the best setup for your system design.

Download Coolselector®2 for free at coolselector.danfoss.com.

Danfoss A/S

Climate Solutions • danfoss.com • +45 7488 2222

Any information, including, but not limited to information on selection of product, its application or use, product design, weight, dimensions, capacity or any other technical data in product manuals, catalogues descriptions, advertisements, etc. and whether made available in writing, orally, electronically, online or via download, shall be considered informative, and is only binding if and to the extent, explicit reference is made in a quotation or order confirmation. Danfoss cannot accept any responsibility for possible errors in catalogues, brochures, videos and other material. Danfoss reserves the right to alter its products without notice. This also applies to products ordered but not delivered provided that such alterations can be made without changes to form, fit or function of the product.

All trademarks in this material are property of Danfoss A/S or Danfoss group companies. Danfoss and the Danfoss logo are trademarks of Danfoss A/S. All rights reserved.