

ENGINEERING  
TOMORROW

*Danfoss*

User Guide

# ICM and ICMTS Motorized Valves and CVE Pilot valves with ICAD Actuators

Installation, Configuration and Troubleshooting



## **Contents**

<b>Introduction</b>	<b>4</b>
ICM/ICAD overview	4
<b>Installation</b>	<b>5</b>
Mechanical installation	8
Electrical data	8
Supply voltage	8
Fail safe supply	9
Data communication (RS485/Ethernet)	9
Analog Input - Current or Voltage	9
Analog Output	9
Digital Input	10
Digital Output	10
Wiring the ICAD actuator	10
Wiring diagram showing ICAD wired to a PLC or other type of third party electronics	11
Wiring diagram showing ICAD wired to a Danfoss EKC/EKE controller	12
Wiring diagram showing ICAD wired to a Danfoss EKE controller	13
Wiring diagram showing ICAD wired with one digital input for ON/OFF solenoid valve operation	14
Wiring diagram for floating 3-point control (open-neutral-close)	14
Wiring diagram showing ICAD digital outputs wired with customer supplied auxiliary relays	15
ICAD overview	15
Operation the ICAD menu	16
Power on and start operation	17
Bluetooth connection and data communication	17
Ethernet connection	18
<b>Configuration of the ICAD actuator</b>	<b>21</b>
Parameter List	21
Service/Control Parameters	21
Service/Advanced Control Parameters	22
Service/Alarm Configuration Parameters	26
Service/Boost Function Parameters	27
Service/System Parameters	28
Service/Display Parameters	29

Service/Network Parameters, (RS485)	29
Service/Network Parameters, (Ethernet)	31
Status/I/O Status	32
Status/Next Service	32
Status/Supply	33
Status/Read Outs Parameters	33
Alarms/Alarm Parameters	36
Alarms/Event Log Parameters	38
Info	40
Non-displayed Parameters	41
<b>Troubleshooting</b>	<b>43</b>
Overview	43
Warnings and Alarms	43
Troubleshooting Tips	44
The valve does not appear to close or stay closed completely	44
The valve does not appear to be moving to the correct position	45
The valve does not appear to be opening fast enough or seems too fast	45
The valve position feedback signal is not working with the customer supplied controller/PLC	45
Frequently Asked Questions	46
What happens in the event of a power failure?	46
How much power do I need to supply to the ICAD?	46
How can I monitor the valve position remotely?	46
At what minimum OD%/mA will the ICAD automatically close and calibrate?	46
If the 4–20 mA signal is lost while the valve is open, will the ICAD close the valve?	46
How many turns/revolutions with the manual tool will fully open/close ICM valve?	46
Does the ICAD make a high frequency noise?	47
What size wire gauge is recommended to run to the ICADs?	47
When running wire to the ICADs, does the wire need to be shielded?	47
<b>Online support</b>	<b>48</b>

## Introduction

ICAD is the actuator for control of ICM/ICMTS motorized valves and CVE pressure regulating pilot. The actuator control the opening degree of the valves according to the input signal received from the controller.

### ICM/ICAD overview

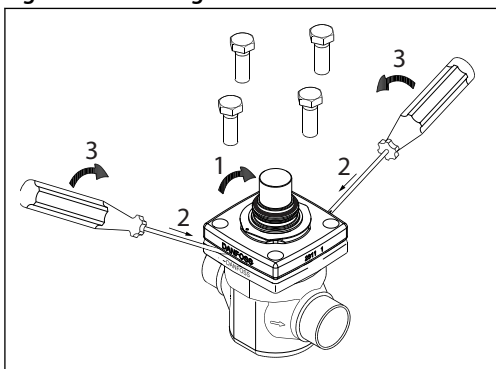
**Table 1: Different ICAD variants are used depending of the specific valve, as follows:**

Actuator	ICAD 600B	ICAD 1200B	ICAD 600B-TS
<b>Valve Size and Type</b>	ICM 20	ICM 40	ICMTS 20
	ICM 25	ICM 50	ICMTS 50
	ICM 32	ICM 65	ICMTS 80
		ICM 100	
		ICM 125	
		ICM 150	
		CVE pilot valve	

## Installation

1. All ICM and ICMTS valves and ICAD motor actuators must be installed in horizontal pipelines with the motor actuator in an upright position (+/- 45° for ICMTS 50/80)
2. Preparation of Valve Body ICM 20 and ICMTS 20 valves: both the integrated bonnet/function module and the separate valve seat must be removed from the valve body prior to welding. To remove the 20-A33 or ICM20-A valve seat use a 13mm socket wrench and to remove the 20-B66, ICM 20-B or 20-C valve seat, use a 12 mm hex key
  - 2.1. ICM 25 to 65 and ICMTS 50/80 valves, the integrated bonnet and function module should be removed as shown in the **Figure 1**
  - 2.2. ICMTS 20 valve, the function module should be removed as shown in the **Figure 1**
  - 2.3. ICM 100 to 150 valves, the function module and bonnet are separate pieces and do not need to be removed prior to welding. However, some form of arc welding should be used to weld the valve into the piping and care should be taken to protect the valve stem from becoming contaminated

**Figure 1: Removing the bonnet/function module from the body of the ICM 25 to 65 valves**



**Figure 2: Removing the bonnet/function module from the body of the ICMTS 20 valves**

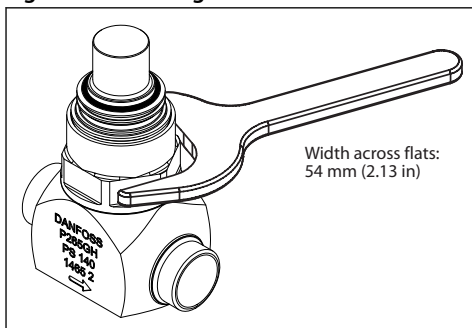
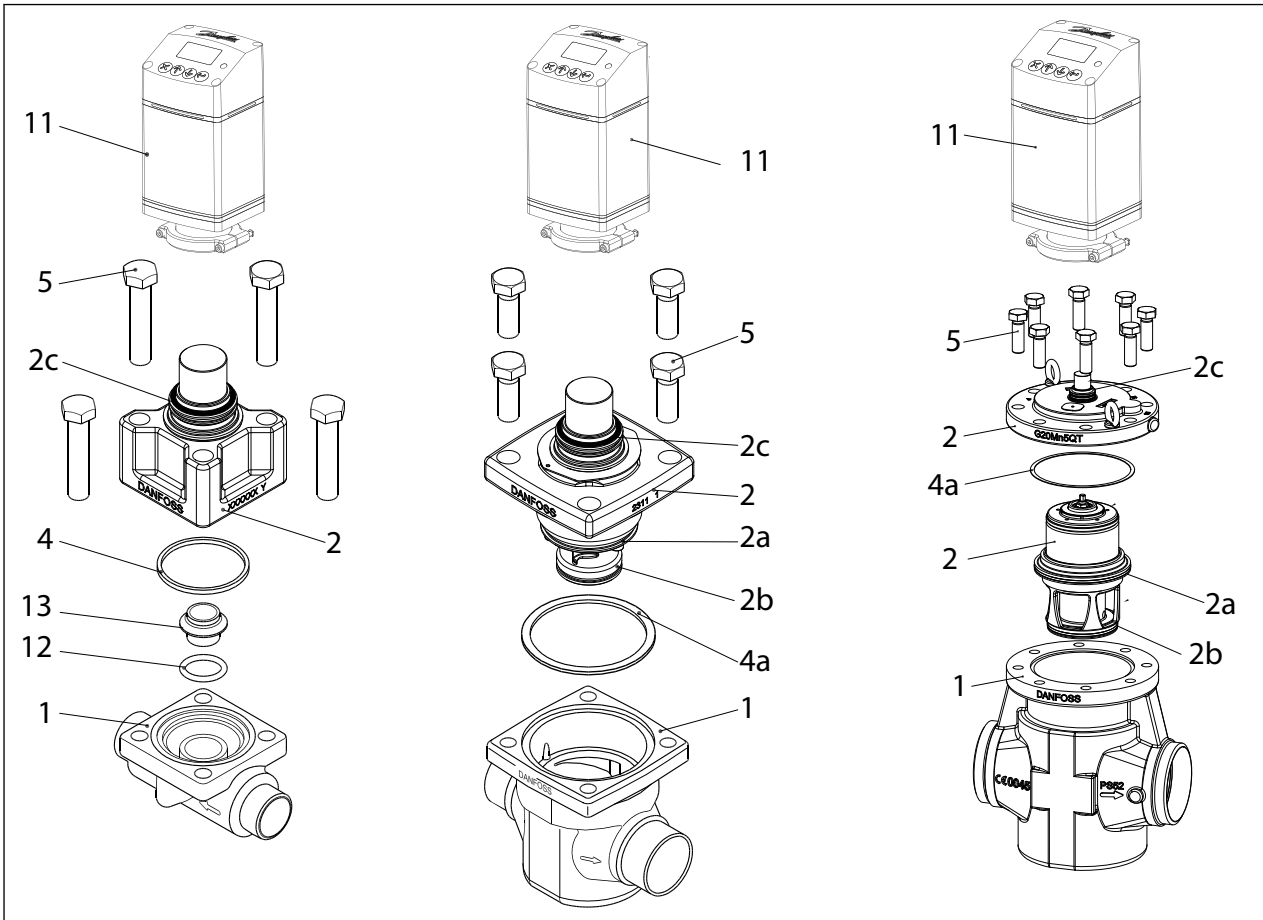
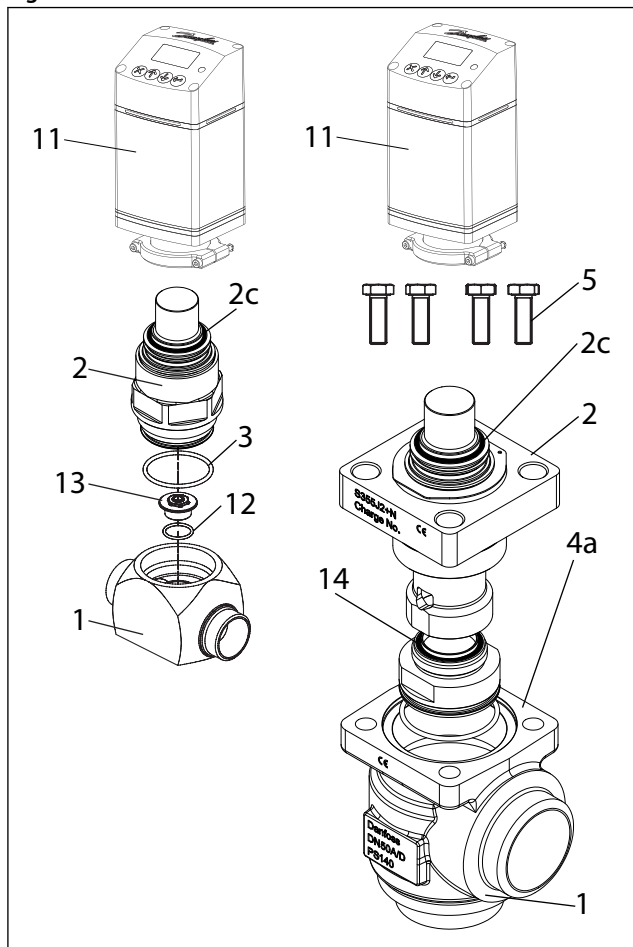


Figure 3: ICM 20 - 150



<b>1</b>	Housing
<b>2</b>	Top cover / function module
<b>2a</b>	O-ring
<b>2b</b>	O-ring
<b>2c</b>	O-ring
<b>4</b>	Gasket
<b>4a</b>	Gasket
<b>5</b>	Bolts
<b>11</b>	Actuator
<b>12</b>	O-ring
<b>13</b>	Seat
<b>14</b>	O-ring

Figure 4: ICMTS 20 and ICMTS 50/80



1	Housing
2	Top cover / function module
2c	O-ring
3	O-ring
4	Gasket
4a	Gasket
5	Bolts
11	Actuator
12	O-ring
13	Seat
14	O-ring

**⚠ CAUTION:**

Care should be taken to protect the ICM/ICMTS function module when it is removed and stored during installation of valve body.

1. Weld the valve body in line making sure that the arrow on the valve body is pointing in the direction of flow
  - 1.1. For ICM 20 through 65 and ICMTS 20 through 80, make sure that all debris is removed from valve body before bonnet/ function module is re-installed
  - 1.2. For the ICM 20 and ICMTS 20, make sure that the removable orifice seat is re-installed in the valve body with the small o-ring between the orifice seat and the body. Use a 13mm socket to tighten the 20-A33 or 20-A valve seat to a torque of 6.5 ft-lbs (9 N-m). Use a 12 mm hex key to tighten the 20-B66, 20-B or 20-C valve seat to a torque of 1.5 ft-lbs (2 Nm)

**DO NOT OVERTIGHTEN THE REMOVABLE SEAT.**

Make sure that the bonnet gasket or bonnet o-ring for ICMTS 20 is installed and in good condition.

- 1.3. For the ICM 25 through ICM 65, check that the two o-rings are installed on the function module and that the gasket located on the top of the valve body is installed and all are in good condition. A light coating of refrigerant oil on the bonnet o-rings and the cover gasket will facilitate assembly of the valve
  - 1.4. For the ICMTS 50/80, check that the o-ring is installed on the function module and that the gasket located on the top of the valve body is installed and all are in good condition. A light coating of refrigerant oil on the bonnet o-ring and the cover gasket will facilitate assembly of the valve
2. **Install the bolts and torque to the following specifications:**

Valve Body	Nm	ft lbs
ICM 20	40	29
ICM 25	100	74
ICM 32	120	88
ICM 40	120	88
ICM 50	140	103
ICM 65	150	110
ICM 100 through 150	220	162



## ICM and ICMS Motorized Valves with ICAD Actuators

Valve Body	Nm	ft lbs
ICMS 20	100	74
ICMS 50	133	98
ICMS 80	84	62

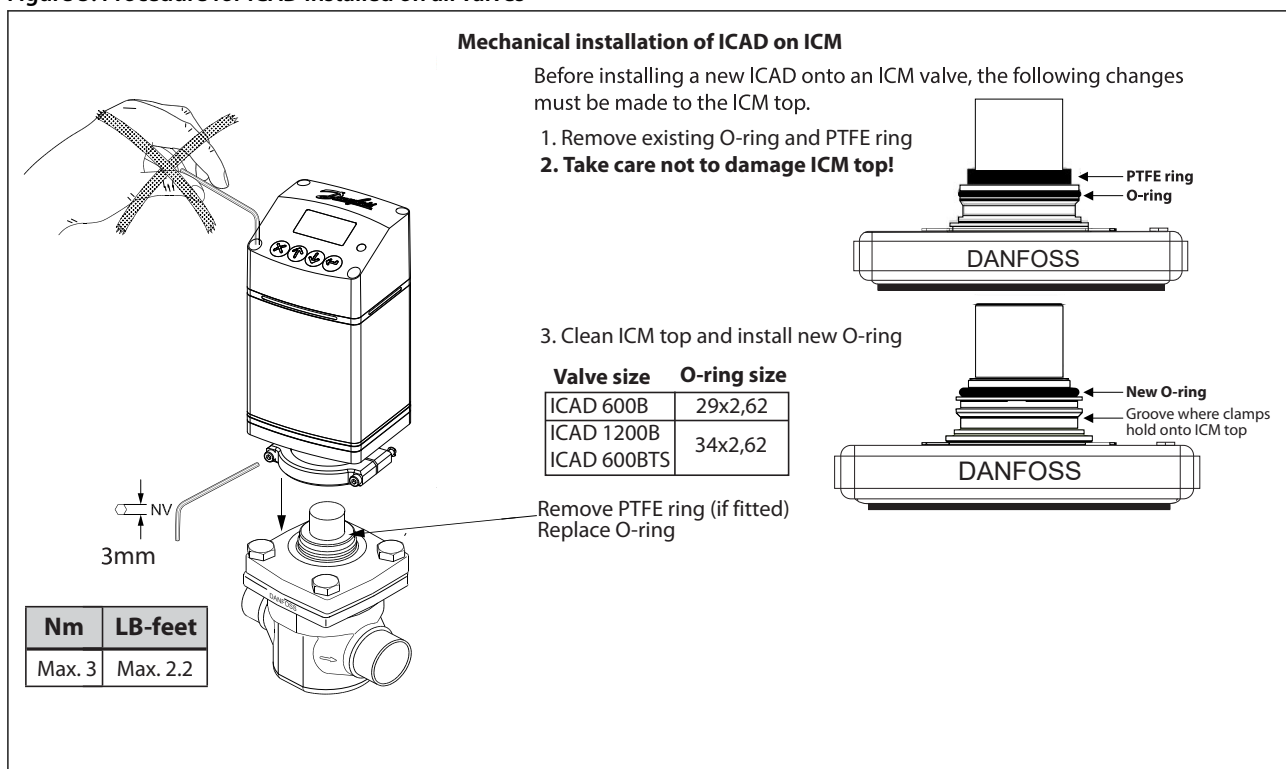
### 3. Install the ICAD Motor on the ICM/ICMS valve:

The ICM/ICMS valve must not be in its full opened position while the ICAD motor is calibrated with the valve (at a later step). Therefore, if the opening degree of the ICM/ICMS valve was changed from the factory setting, it should be set to an opening degree between 0% and 75% using the manual magnet tool. To easily ensure correct positioning, turn the manual tool counter-clockwise until it is clear that it cannot be turned any further.

- 3.1. Make sure that the ICM/ICMS adapter/valve stem and inner ICAD magnets are completely dry and free from any debris

## Mechanical installation

Figure 5: Procedure for ICAD installed on all valves



### General procedure for ICAD 600B/ICAD 600B-TS/1200B installed on all valves

- Check that the two socket screws are fully unscrewed counter clockwise with a 3 mm Hexagon key
- If valve is fitted with PTFE ring and O-ring, remove both and replace it with O-ring included in ICAD (as instructed in [Figure 5](#))
- Mount ICAD by slowly lowering it on top of the valve
- The magnet coupling will drag the valve and ICAD together and in position
- Push ICAD in place
- Fasten valve and ICAD with the two socket set screws using a 3 mm Hexagon key

## Electrical data

Supply voltage is galvanically isolated from in-/output. ICAD is a Class III product.

PSUs connected to ICAD must be SELV<100 VA

For UL compliance: PSU must be Class 2 NEC

## Supply voltage

### 24 V DC (Tolerances; see [Table 3](#))



**Table 2: Load**

ICAD 600B, ICAD 600B-TS	1.2 A
ICAD 1200B	2.0 A

**24 Volt DC ONLY**

**CAUTION:**

**Please observe cable voltage drop**

Please observe cable voltage drop. Distance between the applied DC transformer and the ICAD terminal box may cause a voltage drop. Cross section of cables and size of DC transformer must be calculated so that the voltage at all time at the ICAD terminal box<sup>(1)</sup>, both during standstill and during operation of ICAD, is within this range:

**Table 3: ICAD Supply voltage tolerances**

Prefabricated ICAD cable length Code number		1.5 m	3 m	10 m	15 m
		027H0426	027H0438	027H0427	027H0435
Voltage ICAD terminal (600B/1200B) [V DC]	Min.	21	22	23	24
	Max.	26.4			

**Fail safe supply**

**24 V DC (Tolerances; see Table 3)**

**Table 4: Load**

ICAD 600B, ICAD 600B-TS	1.2 A
ICAD 1200B	2.0 A

**Data communication (RS485/Ethernet)**

It is important that the installation of the data communication cable is done correctly. Remember termination at the bus termination.

RS485: Max length of cable: 1200 m with specific cable and limited data rate. Follow RS485 standard.

Insulation from power supply input, metallic part and interface output: 500 V DC: For input/output connections.

**Analog Input - Current or Voltage**

**Table 5: Current**

Input range	0/4 – 20 mA
Max input range	0 – 24 mA
Input resistance	120 Ω + diode voltage 0.7 V DC
Measurement error	<±1.5% of the full scale
Reverse polarity protection	yes
Overcurrent protection	yes

**Table 6: Voltage**

Input range	0/2 – 10 V DC
Max input range	0 – 12 V DC
Measurement error	<±1.5% of the full scale
Reverse polarity protection	yes

**Analog Output**

**Table 7: Current**

Output range	0/4 – 20mA
Load	<800 Ω
Output error	<±1.5% of the full scale
Recommended external resistor for Hot application	Rext=800 Ω-load 1W power rate

<sup>1</sup> Do not measure inside the ICAD itself (value can be checked in ICAD menu)

## Digital Input

Digital ON/OFF input by means of voltfree contact (Signal/Telecom relays with gold-plated contacts recommended)  
 – Voltage input used.

**Table 8: Current**

Rth rise(OFF)	>10 kΩ
Rth fall(ON)	< 45 Ω

## Digital Output

Digital Output - 3 pcs. NPN transistor output.

External supply

7 – 24 V DC (same supply as for ICAD can be used, but please note that the galvanically isolated system will then be spoiled).

On resistance

55 Ω + diode voltage 0.7 V DC

Max 70 Ω at 50 mA

Max Output current: 50 mA

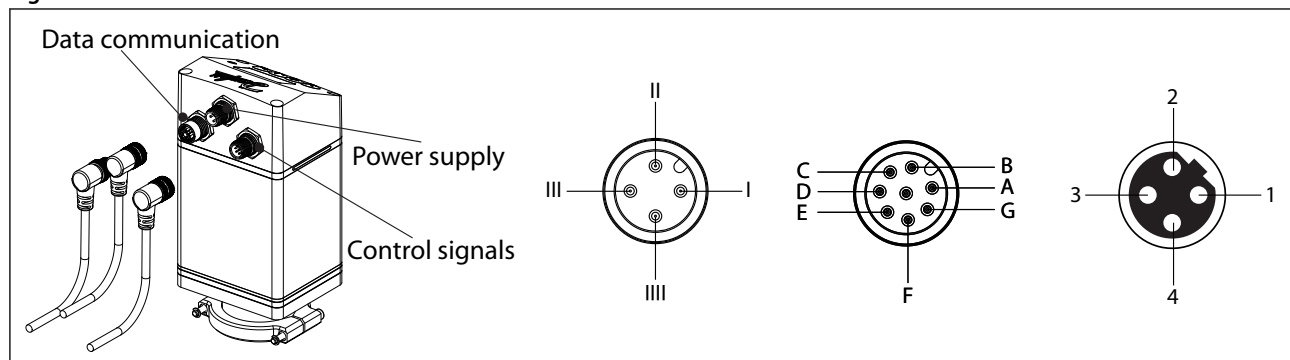
Reverse polarity protection: Yes

Overcurrent protection: No

## Wiring the ICAD actuator

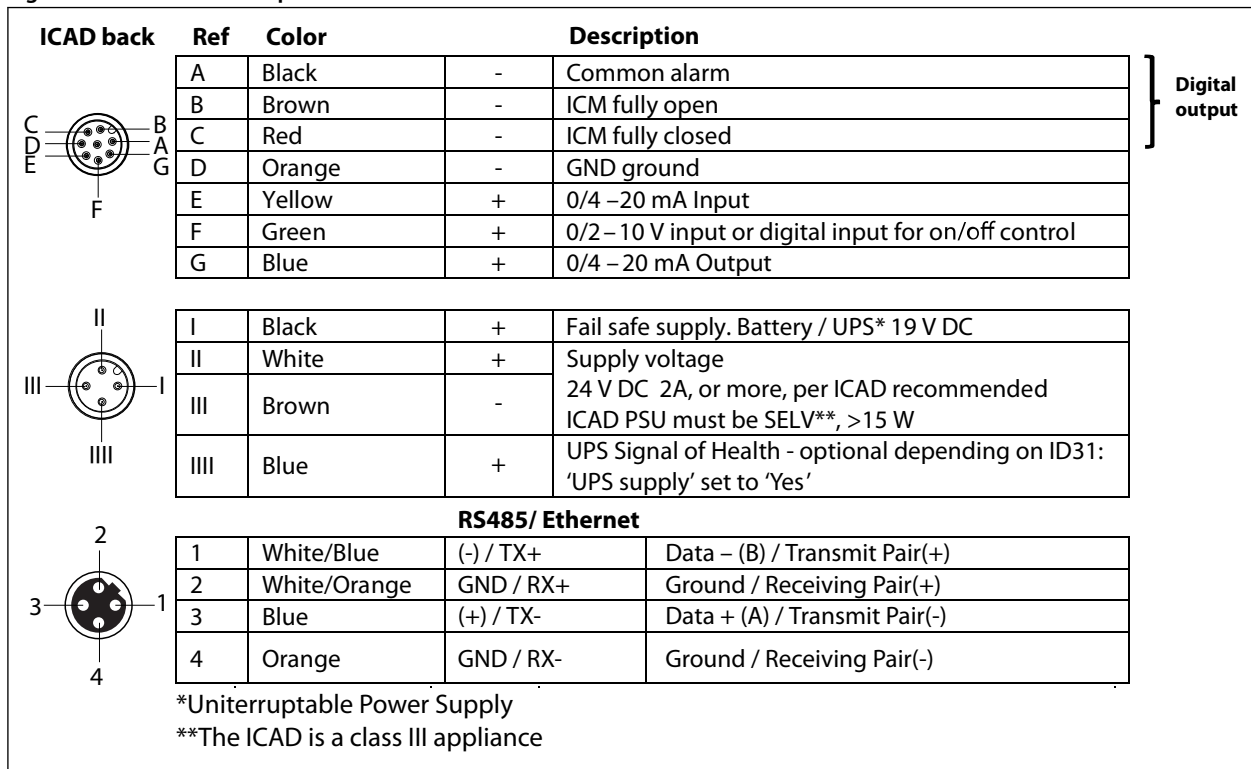
**There are three cables which are connected to the ICAD motor with M12 connectors:**

**Figure 6: Cable Connectors**



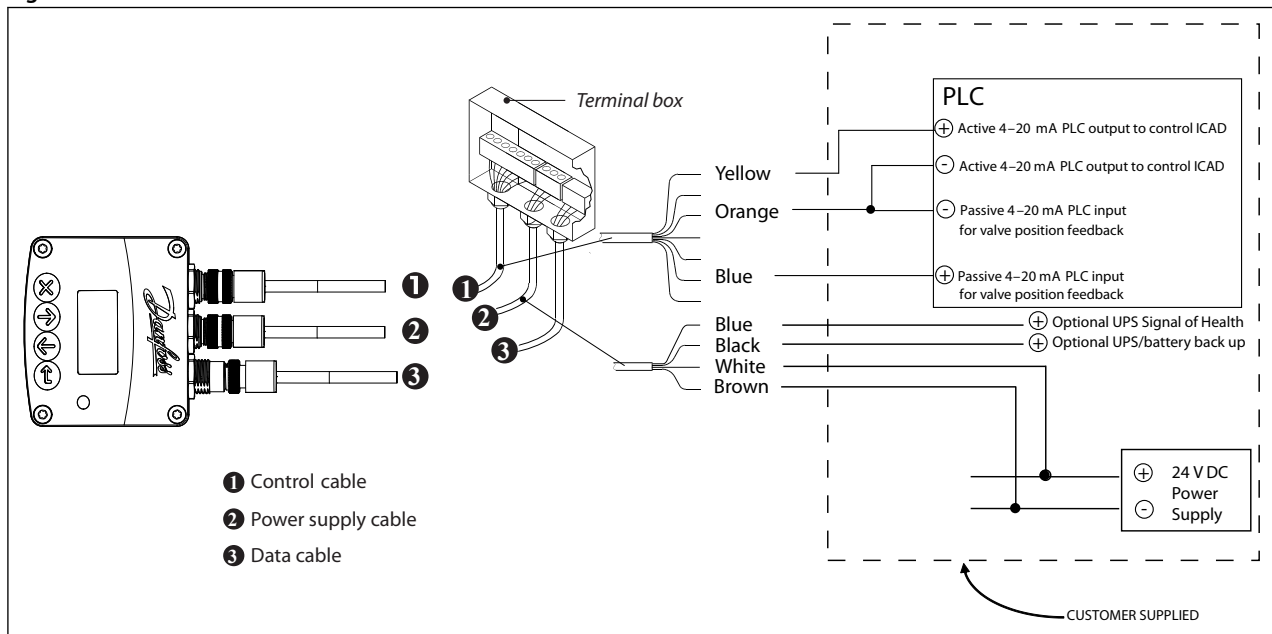
# ICM and ICMTS Motorized Valves with ICAD Actuators

Figure 7: ICAD back Description



## Wiring diagram showing ICAD wired to a PLC or other type of third party electronics

Figure 8: ICAD wired to a PLC



**NOTE:**

Note: The ICAD supplies the power for the 4-20 mA feedback signal.

Wiring diagram showing ICAD wired to a Danfoss EKC/EKE controller

Figure 9: ICAD wired to a Danfoss EKC controller - Analog I/O for modulating control

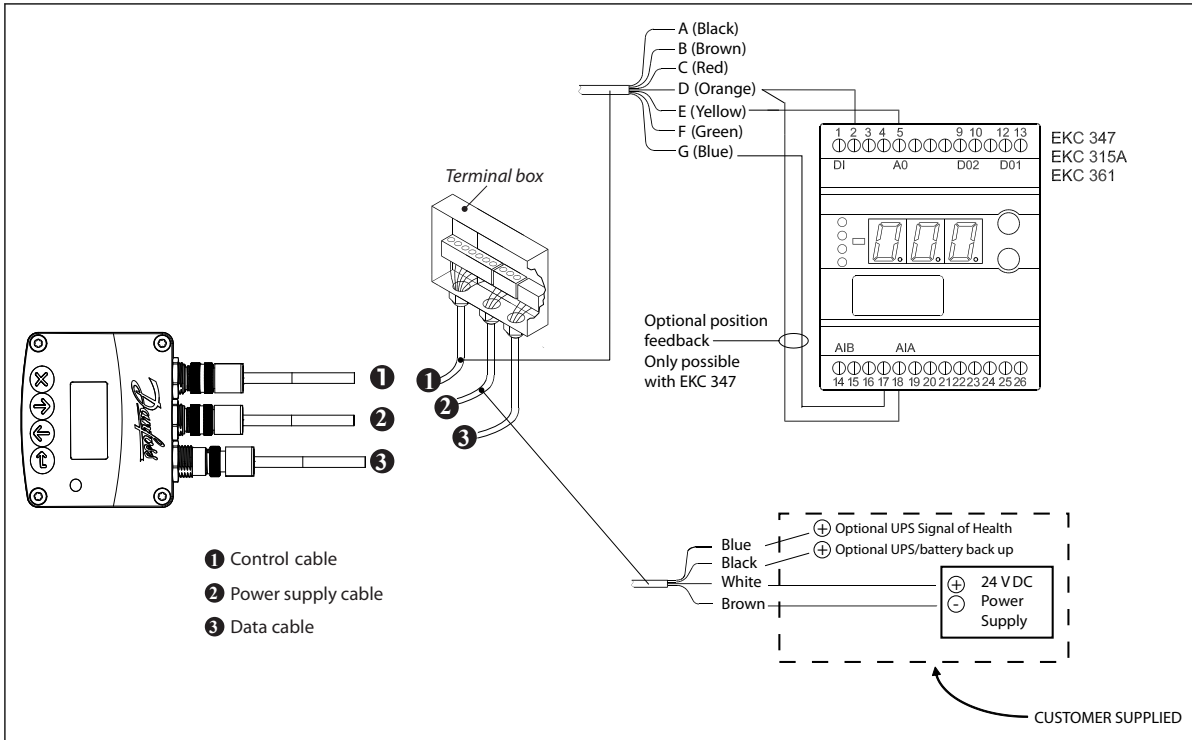
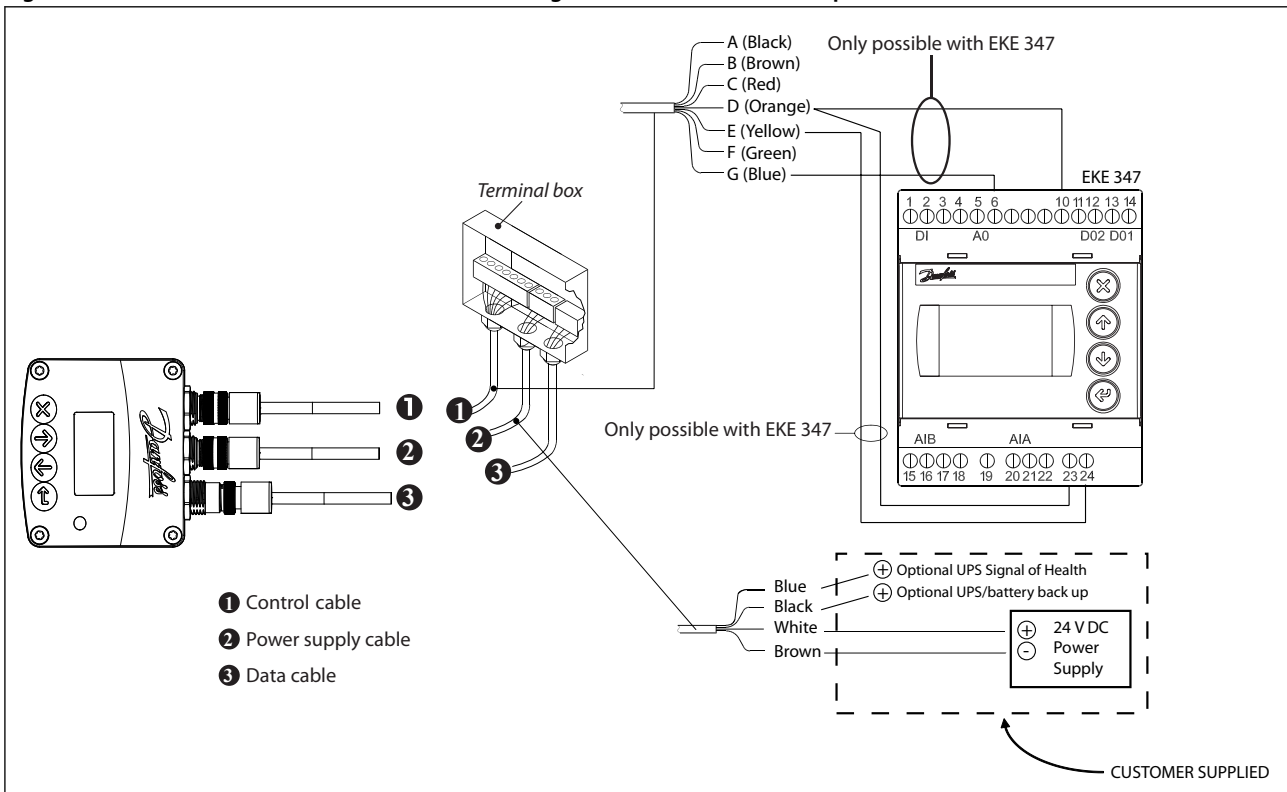


Figure 10: ICAD wired to a Danfoss EKE controller - Digital I/O for ON/OFF valve operation

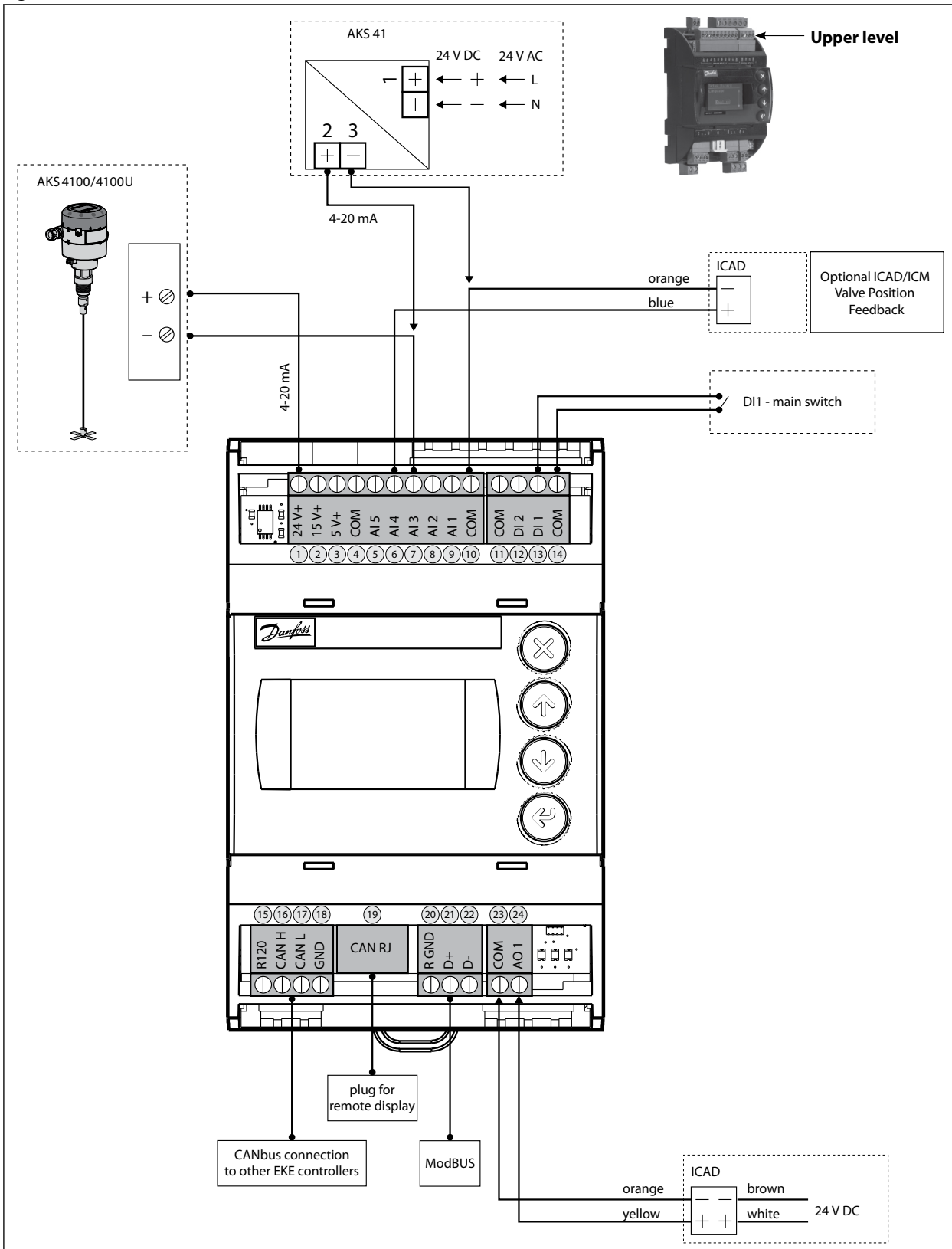


**NOTE:**

For instructions on completely wiring an EKE controller, please see the relevant EKE controller manual.

Wiring diagram showing ICAD wired to a Danfoss EKE controller

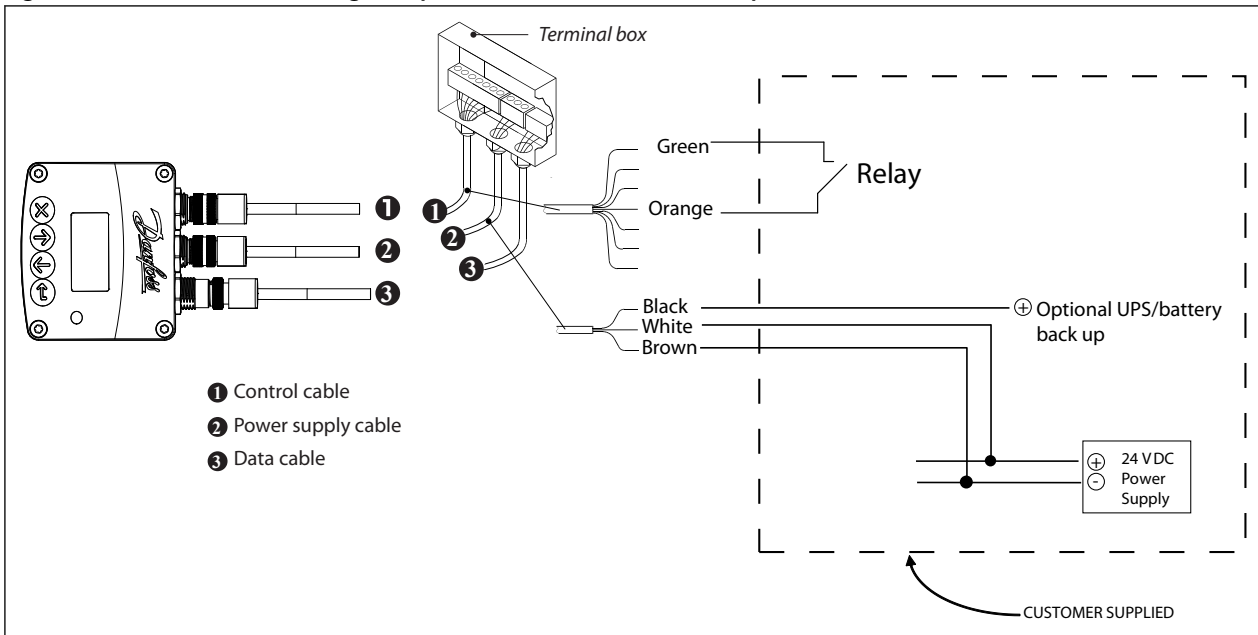
Figure 11: ICAD wired to a Danfoss EKE controller



**NOTE:** For instructions on completely wiring an EKE controller, please see the relevant EKE controller manual.

Wiring diagram showing ICAD wired with one digital input for ON/OFF solenoid valve operation

Figure 12: ICAD wired with one digital input for ON/OFF solenoid valve operation

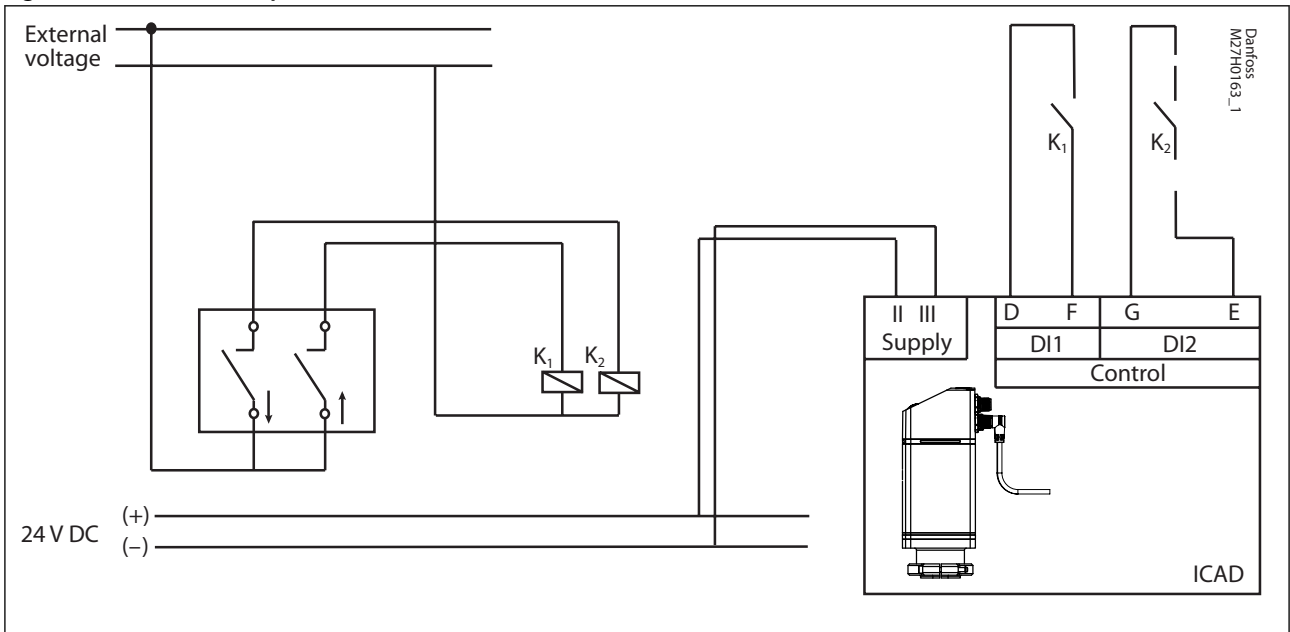


**NOTE:**

The ICAD motor can be programmed to open or close when the relay is closed.

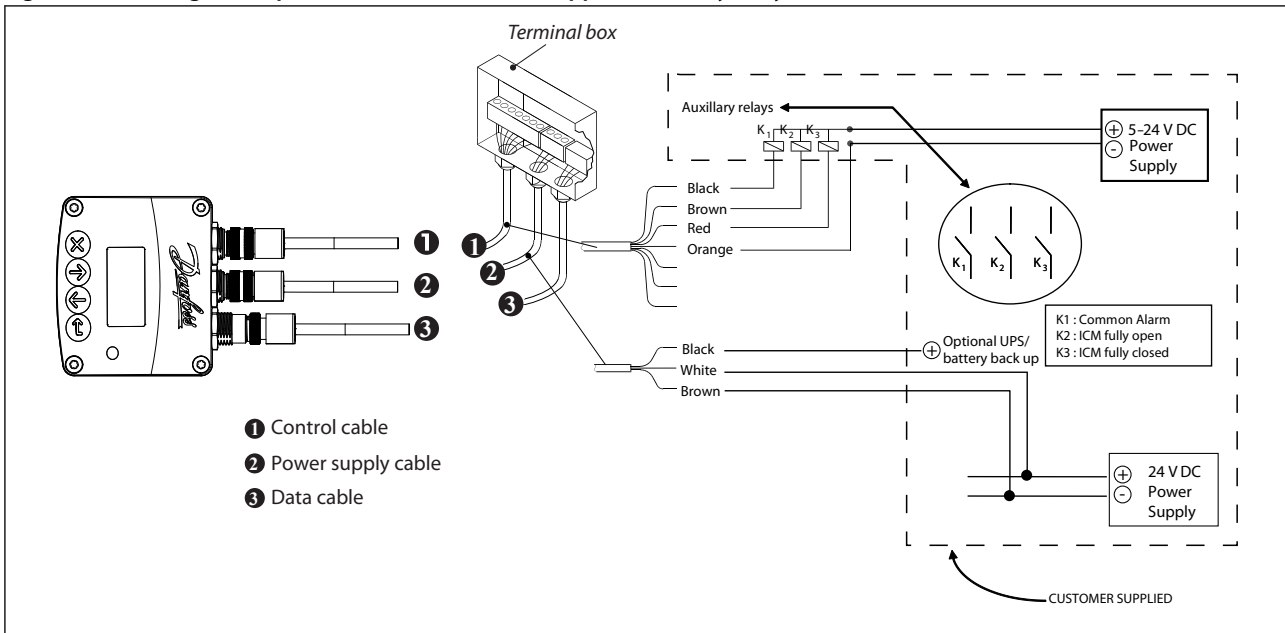
Wiring diagram for floating 3-point control (open-neutral-close)

Figure 13: Neutral zone/3 points control



Wiring diagram showing ICAD digital outputs wired with customer supplied auxiliary relays

Figure 14: ICAD digital outputs wired with customer supplied auxiliary relays



**NOTE:**

The same 24 V DC power that powers the ICAD can be used with the ICAD digital outputs to power auxiliary relays (or other small load devices) but the system will no longer be galvanically isolated.

**ICAD overview**

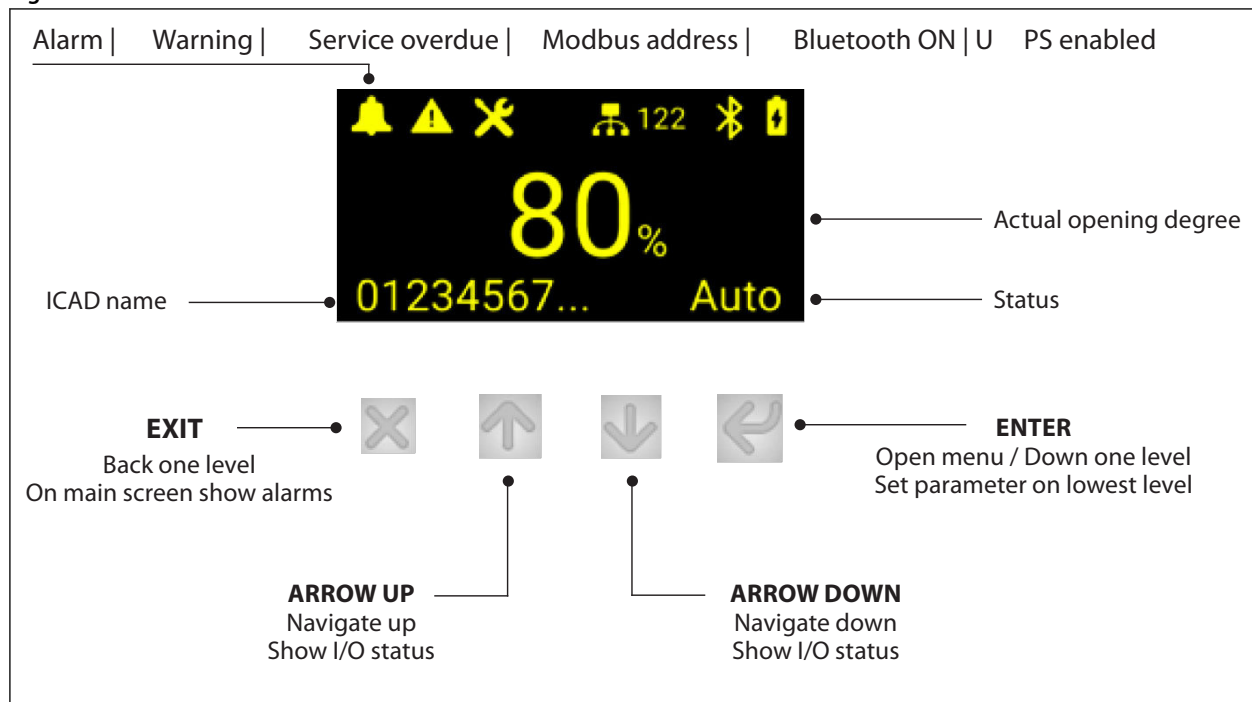
1. All ICAD actuators are digital stepper motors. As the control signal changes ICAD will electronically count steps up or down from its previous position. The actuator has an optical encoder which will actually measure the steps to recalibrate while operating if needed. In all cases, the ICAD actuators will recalibrate every time that power is cut and then reconnected. Recalibration is also accomplished when the valve is driven closed, the ICAD will take an extra closing step to make sure it is completely closed and start counting from 0 again
2. The ICAD actuators can also be put into manual mode. Once the manual mode entered, the valve can be opened and closed independent of the control signal. When in the manual mode, the display screen will flash the opening degree and continue to flash until the parameter is restored to its normal operation setting
3. The ICAD actuator can be controlled with an analog input for modulating control, 1 digital input for open/close solenoid function or with 2 digital inputs for floating 3-point control (open-neutral-close). The speed of the ICAD can be altered
4. The ICAD display will continuously display the ICM valve opening degree in % unless there is an alarm or the parameter list is being viewed.
5. The ICAD actuator can be connected to a 24 V d.c. UPS (uninterruptable power supply) and can be programmed for a specific action in the event of a disruption to the normal power supply (see parameters, **ID20** and **ID27**). Please note that the UPS provides a discrete short term action in the event of a power failure. It cannot be used for normal operation
6. The ICAD actuator also has an inverse function (see parameter **ID13**). This feature allows the valve to either open or close on a rising analog signal



## Operation the ICAD menu

1. To access the ICAD actuator menu, press enter button

Figure 15: STATUS BAR

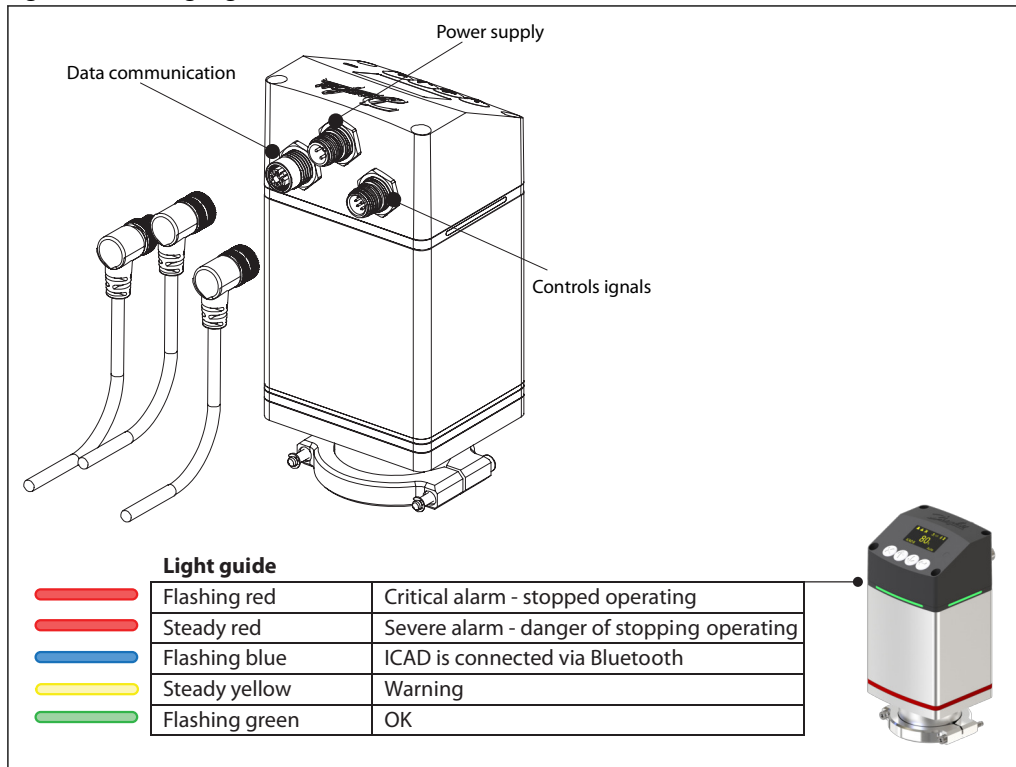


2. Once you are in the menu, use the UP (3) and DOWN (1) arrows to move through the list of parameters
3. To display and/or change the value of the parameter, press ENTER button to view the current settings
  - 3.1. To change the value of a parameter, use the up or down arrow to establish the new value for that parameter
  - 3.2. Once the new value for the parameter has been selected, press ENTER button to save the change and return to the menu
  - 3.3. Repeat this procedure for all parameters
  - 3.4. Exit from the parameter list by pressing EXIT button or simply wait for the ICAD to return to the main display

### Power on and start operation

ICAD has a light guide viewable from three sides, which indicates the status. Immediately after power on the light guide and display lights up.

Figure 16: ICAD light guide



The main screen layout and navigation is as described above. ICAD will start up in start-up wizard and in warning mode as the ICM configuration needs to be defined to start operation. Follow the steps on next page to set this up correctly.

### Bluetooth connection and data communication



In addition to the onboard display, all configuration and readings from ICAD B actuator can be performed via Bluetooth (using Coolcong mobile app) or via data communication. The CoolConfig allows the project engineer to generate the settings for the ICAD B offline, and hand over the file to the commissioning engineer at the appropriate time for the installation on one or multiple ICAD B.

CoolConfig can be downloaded and installed from iTunes Store, Google Play Store or Danfoss.com for PC version.



iTunes Store



Google Play Store



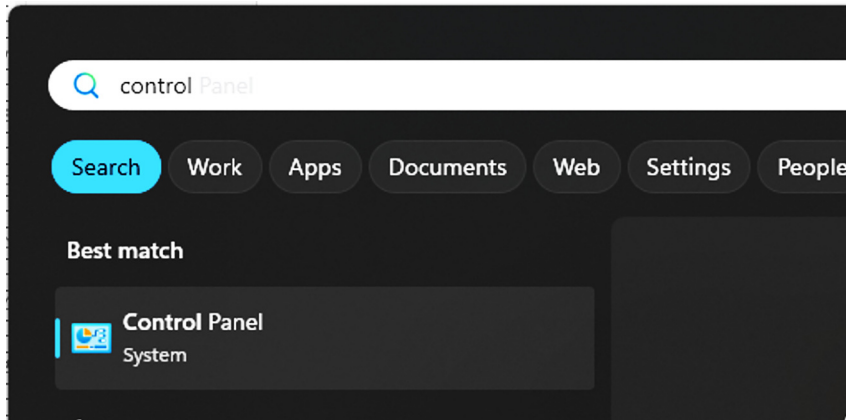
CoolConfig for PC

To connect with ICAD actuator, click *Start scanning* in CoolConfig and the list of available devices will be provided. To connect with a device, a password will be required. **The connection PIN is 0000** and serves to ensure that the connection is intentional. Access is then read-only.

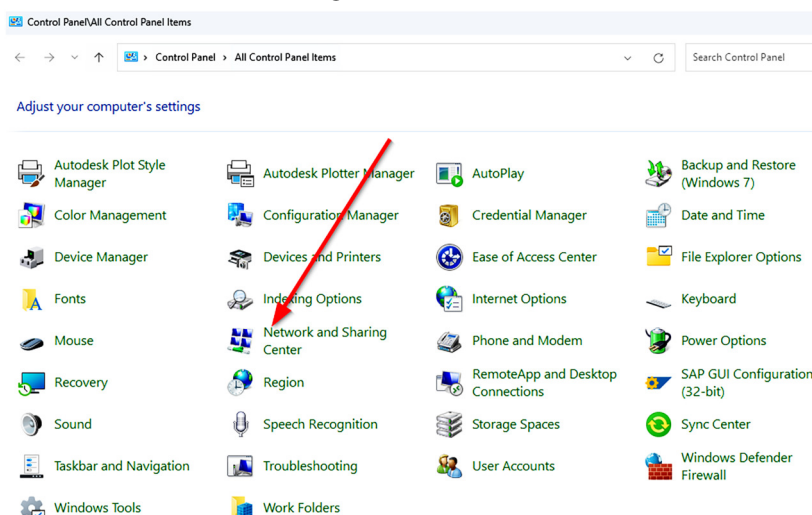
## Ethernet connection

### Follow steps below to connect to an ICAD over Ethernet

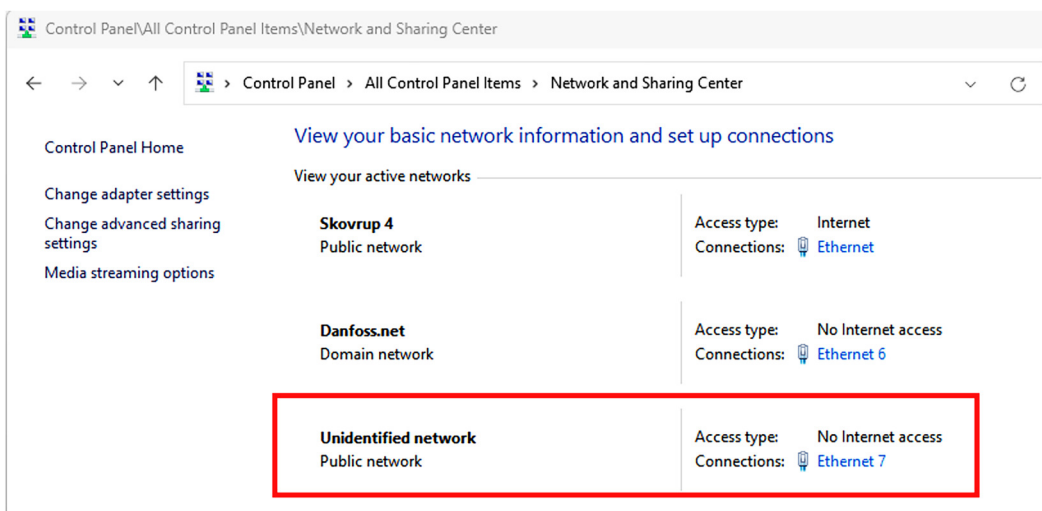
1. On Windows, open Control Panel:



2. Select Network and Sharing center:

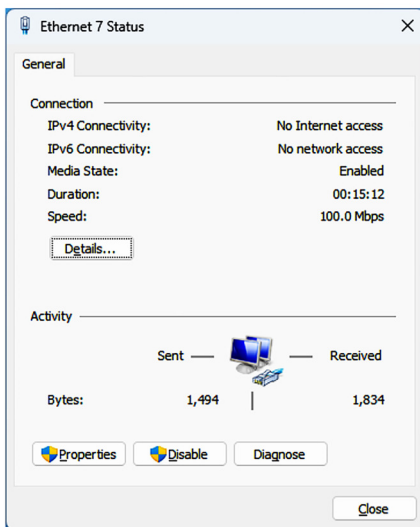


3. You will see a list over network connections:

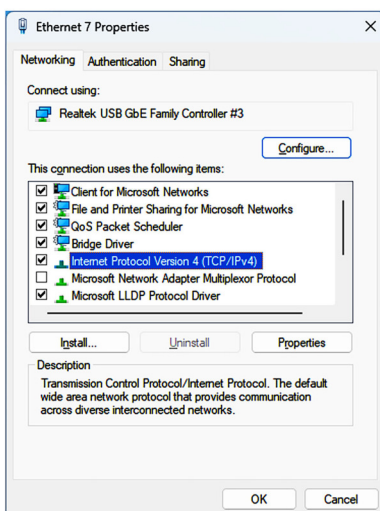


4. Normally you will be able to identify the network connection to the ICAD (the “Unidentified network” in image above), else try to unplug the ICAD and plug in again – you should be able to see the relevant network connection disappear/appear.

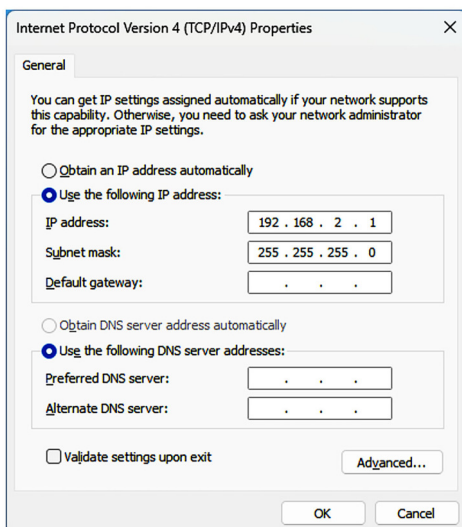
5. Click on Connections (“Ethernet 7” in image above):



6. Click on Properties (log-in if required):



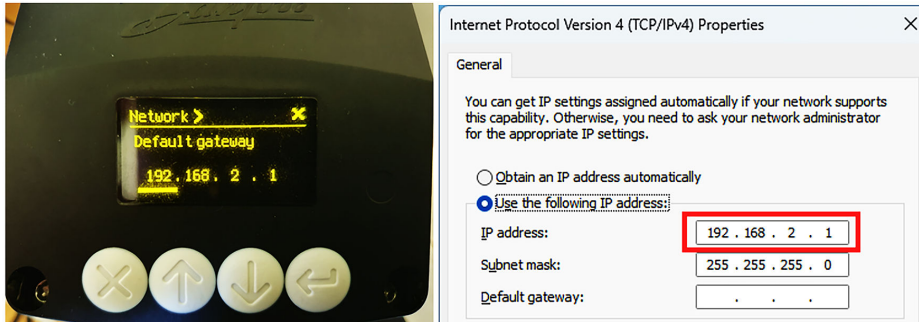
7. Select “Internet Protocol Version 4 (TCP/IP)”, click “Properties” and enter values as shown below:



8. In this example it is assumed that the settings on the ICAD are (these are the default settings from ICAD firmware 15.21):

## ICM and ICMTS Motorized Valves with ICAD Actuators

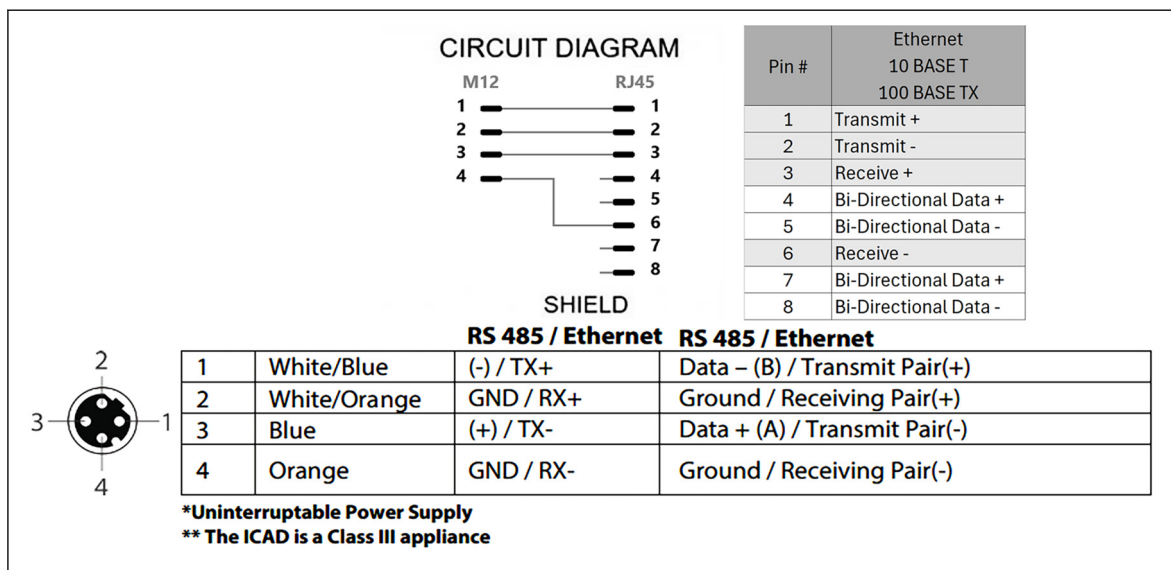
- a. IP mode..... = Static IP
  - b. IP address..... = 192.168.2.2
  - c. TCP port..... = 502
  - d. Subnet mask.... = 255.255.255.0
  - e. Default gateway = 192.168.2.1
9. Note that the “Default gateway” setting on the ICAD is only different from the “IP address” in the last value, and that the “Default gateway” on the ICAD is equal to the “IP address” of the “Ethernet 7” network connection:



10. Close all dialogs pressing OK, and you should now be able to connect to the ICAD.

### Cable for direct ICADB communication via Ethernet

Type M12 D 4P to RJ45



## Configuration of the ICAD actuator

When it is powered for the first time, the quick setup wizard will appear, follow the instructions from the set up wizard to have it configured. If the wizard is not used, the ICAD display will go into warning mode. This warning is a reminder that the ICM valve being moved by the ICAD has not been configured. Once the ICM valve size is selected, the ICAD actuator will calibrate itself to that particular size and will then be ready to receive a control signal.

### Parameter List

#### Service/Control Parameters

Label ID	Parameter name	Description and selection options	Min.	Max.	Factory setting	Modbus address	Alternative Modbus address	Size in bytes	Password level to Read - Write	Read only (RO) / Read Write (RW) / Write (W)	Persistent Yes/No	Modbus function
ID1	Main switch	<b>ICAD operating mode</b> <b>0: Auto:</b> Input signal type (ID3) controls valve position <b>1: Manual:</b> user manually sets the valve position to be maintained <b>2: Config:</b> ICAD continues to operate as before. In config mode parameters can be changed but are not applied until setting main switch back to auto or manual	0	2	0	3000	3300	1	1 - 2	RW	Yes	3 & 6, 16
ID2	Operation mode	<b>Define ICAD mode</b> <b>0: Modulating:</b> Valve positioning according to Analog Input (see ID3) <b>1: ON/OFF:</b> Operating ICM valve like an ON/OFF valve controlled via Digital Input (see ID23 for definition of fully close/fully open) <b>2: 3-point control:</b> Increase/Decrease Opening Degree by Digital Input.	0	2	0	3001	3301	1	1 - 2	RW	Yes	3 & 6, 16
ID3	Input signal type	<b>Type of AI signal from external controller</b> Only active when Operation mode (ID2) is set to Modulating. If the input signal received does not match this setting an Input signal out of bounds (A3) alarm will show. <b>0:</b> 0-20mA; <b>1:</b> 4-20mA; <b>2:</b> 0-10V; <b>3:</b> 2-10V; <b>4:</b> modbus; <b>5:</b> non config	0	5	5	3002	3302	1	1 - 2	RW	Yes	3 & 6, 16

## ICM and ICMTS Motorized Valves with ICAD Actuators

Label ID	Parameter name	Description and selection options	Min.	Max.	Factory setting	Modbus address	Alternative Modbus address	Size in bytes	Password level to Read - Write	Read only (RO) / Read Write (RW) / Write (W)	Persistent Yes/No	Modbus function
ID4	Requested Opening Degree (set-point)	<b>Set the desired opening degree</b> Only when main switch is set to manual (ID1=1) <b>0...100%</b> (min step – 1%)	0	100	0	3003	3303	1	1 - 1	RW	No	3 & 6, 16
ID203	Requested Opening Degree (set-point)	<b>The opening degree requested through Modbus</b> Only active when Main switch is set to auto (ID1=0) and input signal is set to Modbus (ID3=4). 0...10000 points, where 100 = 1% (i.e. 5021 = 50.21%; 10000 = 100.00%)	0	10000	0	3004	3304	2	1 - 1	RW	No	3 & 6, 16
ID24	Service passcode (Level 2)	<b>Change password for level 2 access.</b> Level 2 will give access to read/write parameters of level 2. See Column "Password level to Read - Write" and "Read only / Read Write"	0	99999999	12131400	3005 ... 3006		4	2	W	Yes	16

## Service/Advanced Control Parameters

Label ID	Parameter name	Description and selection options	Min.	Max.	Factory setting	Modbus address	Alternative Modbus address	Size in bytes	Password level to Read - Write	Read only (RO) / Read Write (RW) / Write (W)	Persistent Yes/No	Modbus function
ID5	Speed positive, 3-point	<b>Opening speed</b> Only active when Operation mode (ID2) is set to 3-point. Percentage of full speed. <b>1...100%</b> (min step – 1%)	1	100	10	3011		1	2 - 2	RW	Yes	3 & 6, 16
ID75	Speed negative, 3-point	<b>Closing speed</b> Only active when Operation mode (ID2) is set to 3-point. Percentage of full speed. <b>1...100%</b> (min step – 1%)	1	100	10	3012		1	2 - 2	RW	Yes	3 & 6, 16
ID6	Speed positive, on/off	<b>Opening speed</b> Only active when Operation mode (ID2) is set to ON/OFF. Percentage of full speed <b>1...100%</b> (min step – 1%)	1	100	100 - ICAD 600; 50 - ICAD 1200	3013		1	2 - 2	RW	Yes	3 & 6, 16
ID76	Speed negative, on/off	<b>Closing speed</b> Only active when Operation mode (ID2) is set to ON/OFF. Percentage of full speed <b>1...100%</b> (min step – 1%)	1	100	100 - ICAD 600; 50 - ICAD 1200	3014		1	2 - 2	RW	Yes	3 & 6, 16
ID7	Speed, modulating	<b>Speed while modulating</b> Only active when Operation mode (ID2) is set to Modulating. Percentage of full speed <b>1...100%</b> (min step – 1%) For CVE valve max value = 50%	1	100	100 - ICAD 600; 50 - ICAD 1200	3015		1	2 - 2	RW	Yes	3 & 6, 16
ID9	Automatic valve detection	<b>Valve size detection for ICAD</b> <b>0: No:</b> Not active <b>1: Yes:</b> Valve detection will be started. The parameter will automatically be set back to 'no' and ID8 valve configuration parameter will be set to the detected valve when detection has finished.	0	1	0	3009	3305	1	1 - 2	RW	Yes	3 & 6, 16



## ICM and ICMTS Motorized Valves with ICAD Actuators

Label ID	Parameter name	Description and selection options	Min.	Max.	Factory setting	Modbus address	Alternative Modbus address	Size in bytes	Password level to Read - Write	Read only (RO) / Read Write (RW) / Write (W)	Persistent Yes/No	Modbus function
<b>ID8</b>	Valve configuration	<p><b>Valve size detection action for ICAD</b></p> <p><b>Note:</b> The allowed value of the parameter varies depends on the ICAD model parameter (ID73)</p> <p><b>12:</b> ICADTS ICMTS 50/80;  <b>11:</b> ICADTS ICMTS20;  <b>10:</b> Pilot Valve CVE;  <b>9:</b> ICAD1200B ICM150;  <b>8:</b> ICAD1200B ICM125;  <b>7:</b> ICAD1200B ICM100;  <b>6:</b> ICAD1200B ICM65;  <b>5:</b> ICAD1200B ICM50;  <b>4:</b> ICAD1200B ICM40;  <b>3:</b> ICAD600B ICM32;  <b>2:</b> ICAD600B ICM25;  <b>1:</b> ICAD600B ICM20;  <b>0:</b> not configured <b>No valve selected.</b> Alarm A1 will become active</p>	0	12	0	3010	3306	1	1 - 2	RW	Yes	3 & 6, 16
<b>ID23</b>	DI function	<p>Defines what happens when DI is ON (DI terminals are shorted) Only active when operation mode (ID2) is set to ON/OFF.</p> <p><b>1: Open valve:</b> DI = OFF =&gt; Close ICM valve  <b>0: Close valve:</b> DI = OFF =&gt; Open ICM valve</p>	0	1	0	3025	3310	1	1 - 2	RW	Yes	3 & 6, 16
<b>ID13</b>	(Inverse) operation	<p>When Operation mode (ID2) is set to modulating.</p> <p><b>1: On:</b> Increasing Analog Input signal =&gt; Decreasing opening degree  <b>0: Off:</b> Increasing Analog Input signal =&gt; Increasing opening degree</p> <p>When Operation mode (ID2) is set to 3-point.</p> <p><b>1: On:</b> DI1 = ON, DI2 = OFF =&gt; Decreasing opening degree  DI1 = OFF, DI2 = ON =&gt; Increasing opening degree  DI1 = DI2 = OFF =&gt; Maintain current position  DI1 = DI2 = ON =&gt; Maintain current position</p> <p><b>0: Off:</b> DI1 = ON, DI2 = OFF =&gt; Increasing opening degree  DI1 = OFF, DI2 = ON =&gt; Decreasing opening degree  DI1 = DI2 = OFF =&gt; Maintain current position  DI1 = DI2 = ON =&gt; Maintain current position</p> <p><b>Note: Not active when Operation mode is set to ON/OFF. For ON/OFF control refer to DI function (ID23)</b></p>	0	1	0	3016		1	2 - 2	RW	Yes	3 & 6, 16
<b>ID157</b>	2 step ON/OFF	<p>Active if operation mode (ID2) is set to on/off</p> <p><b>1: Yes:</b> On/off mode with 2 step opening and/or 2 step closing. Activates parameters ID158...ID162  <b>0: No:</b> On/off mode with 1 step opening or closing, without additional steps while driving</p>	0	1	0	3270	3312	1	1 - 2	RW	Yes	3 & 6, 16

## ICM and ICMTS Motorized Valves with ICAD Actuators

Label ID	Parameter name	Description and selection options	Min.	Max.	Factory setting	Modbus address	Alternative Modbus address	Size in bytes	Password level to Read - Write	Read only (RO) / Read Write (RW) / Write (W)	Persistent Yes/No	Modbus function
ID158	2 step mode	<b>2 step mode</b> 2: Open & close; 1: Close; 0: Open	0	2	2	3271	3313	1	1 - 2	RW	Yes	3 & 6, 16
ID159	Open step	Only active if 2 step mode (ID158) is set to 0 (Open) or 2 (Open & close) The valve will stop in this position before moving to the fully open (100%) position 0...75% (min step - 1%)	0	75	20	3272	3314	1	1 - 2	RW	Yes	3 & 6, 16
ID160	Close step	Only active if 2 step mode (ID158) is set to 1 (Close) or 2 (Open & close) The valve will stop in this position before moving to the fully closed (0%) position 0...75% (min step - 1%)	0	75	20	3273	3315	1	1 - 2	RW	Yes	3 & 6, 16
ID161	1st step delay (Open)	Only active if 2 step mode (ID158) is set to 0 (Open) or 2 (Open & close) 5...600 seconds (min step - 1)	5	600	30	3274	3316	2	1 - 2	RW	Yes	3 & 6, 16
ID162	1st step delay (Close)	Only active if 2 step mode (ID158) is set to 1 (Close) or 2 (Open & close) 5...600 seconds (min step - 1)	5	600	30	3275	3317	2	1 - 2	RW	Yes	3 & 6, 16
ID16	Forced closing	<b>Enable/Disable forced closing</b> Not active when CVE valve is chosen (ID8) <b>1: On:</b> When valve Opening Degree < 3% it will be forced to close regardless of requested ICM valve Opening Degree <b>0: Off:</b> When valve Opening Degree < 3% no forced closing will take place. <b>Disabling forced closing is not recommended as it can lead to leaking valves.</b>	0	1	1	3017		1	2 - 2	RW	Yes	3 & 6, 16
ID17	Automatic calibration	ICAD indicates in display when calibration is taking place. Calibration is also performed after the selection of a valve (ID8). It will automatically set back to 0 after calibration is performed. <b>2: Extended:</b> Calibration from fully closed to fully open <b>1: Normal:</b> Forced calibration to fully closed <b>0: None:</b> No calibration performed	0	2	0	3018		1	2 - 2	RW	No	3 & 6, 16
ID151	Startup calibration	<b>Selection of startup calibration type</b> <b>1: Extended:</b> Calibration from fully closed to fully open <b>0: Normal:</b> Forced calibration to fully closed	0	1	0	3027	3311	2	1 - 2	RW	Yes	3 & 6, 16

## ICM and ICMTS Motorized Valves with ICAD Actuators

Label ID	Parameter name	Description and selection options	Min.	Max.	Factory setting	Modbus address	Alternative Modbus address	Size in bytes	Password level to Read - Write	Read only (RO) / Read Write (RW) / Write (W)	Persistent Yes/No	Modbus function
ID18	AO Signal output	<p><b>Type of AO signal for valve position.</b> This selection must match the output expected to read this externally. AO signal calculation is based on the encoder.</p> <p><b>2: 4-20 mA;</b> <b>1: 0-20 mA;</b> <b>0: no signal</b></p>	0	2	2	3020	3307	1	1 - 2	RW	Yes	3 & 6, 16
ID21	UPS supply	<p><b>Define if an Uninterruptible Power Supply (UPS) is applied to the ICAD.</b> This enables A4 alarms (Low voltage of UPS supply).</p> <p><b>1: Yes:</b> UPS is attached <b>0: No:</b> Nothing attached</p>	0	1	0	3023	3308	1	1 - 2	RW	Yes	3 & 6, 16
ID22	UPS setting	<p><b>Defines when the health indication of a UPS can be considered as good.</b> Only active if UPS supply (ID21) is set to yes. This enables the UPS signal of health alarm (A14) and shows the health state of the UPS for ICAD.</p> <p><b>2: DI Low:</b> good health; <b>1: DI High:</b> good health; <b>0: Off:</b> no UPS health detection</p>	0	2	0	3024	3309	1	1 - 2	RW	Yes	3 & 6, 16

## Service/Alarm Configuration Parameters

Label ID	Parameter name	Description and selection options	Min.	Max.	Factory setting	Modbus address	Alternative Modbus address	Size in bytes	Password level to Read - Write	Read only (RO) / Read Write (RW) / Write (W)	Persistent Yes/No	Modbus function
ID19	AO Alarm signal output	<p><b>Defines if analog output should signal active alarms</b> Setting this to a value means that the output will be set to this value whenever ICAD is in alarm mode. Only active when AO signal (ID18) is set to 4-20mA.</p> <p><b>2: 22mA:</b> Analog output will be set to 22 mA in case of active alarms(s)</p> <p><b>1: 3.6mA:</b> Analog output will be set to 3.6 mA in case of active alarm(s)</p> <p><b>0: Off:</b> Analog output will continue to signal the valve position</p> <p><b>Note: When setting this to anything other than Off, the analog output will not signal valve position whenever ICAD is in alarm mode.</b></p>	0	2	0	3021	3318	1	1 - 2	RW	Yes	3 & 6, 16
ID20	Emergency state	<p><b>Set the requested valve position for safe state</b> Safe state occurs for A2, A3, A5, A8, A10, and can be a result of the boosting process during A9.</p> <p><b>3:</b> emergency opening degree (set position to ID27)</p> <p><b>2:</b> maintain position;</p> <p><b>1:</b> open valve;</p> <p><b>0:</b> close valve;</p>	0	3	0	3022	3319	1	1 - 2	RW	Yes	3 & 6, 16
ID27	Emergency OD	<p><b>The opening degree to use in safe state</b> Only active when Emergency state (ID20) is set to emergency opening degree (ID27)</p> <p><b>0...100%</b> (min step – 1%)</p>	0	100	50	3026	3320	1	1 - 2	RW	Yes	3 & 6, 16
ID229	Reset alarm A9	<p><b>Manual reset of active A9 alarm</b> Only active if boost action (ID28) is set to once, and reset A9 alarms (ID31) is set to manual or auto.</p> <p><b>1: Yes:</b> Active A9 alarm will be reset, safe state will be cancelled and ICAD will go to the requested OD. This parameter will automatically be set back to 'No' once the alarm is reset.</p> <p><b>0: No:</b> Active alarms are not reset. (Default state)</p>	0	1	0	3035	3321	1	1 - 1	RW	No	3 & 6, 16

## Service/Boost Function Parameters

Label ID	Parameter name	Description and selection options	Min.	Max.	Factory setting	Modbus address	Alternative Modbus address	Size in bytes	Password level to Read - Write	Read only (RO) / Read Write (RW) / Write (W)	Persistent Yes/No	Modbus function
ID28	Boost action	<p><b>Defines how to manage when the opening degree is outside of the threshold of the max offset allowed (ID30).</b></p> <p><b>2: Once:</b> If boosting for 15 seconds did not allow to get back into position, then A9 alarm is raised and ICAD goes to Safe state (ID20) (if feasible), no calibration.</p> <p><b>1: Cycling:</b> Keep boosting 15 seconds, break for the time specified as boost delay (ID29), then raise A9 alarm. Cycle continues position has been regained.</p> <p><b>Note: It is not recommended to change this setting from default.</b></p>	1	2	1	3030		1	2 - 2	RW	Yes	3 & 6, 16
ID29	Boost delay	<p><b>Minutes after boost before next boost and raise of A9 alarm.</b> 1...30 minutes (min step – 1)</p> <p><b>Note: It is not recommended to change this setting from default.</b></p>	1	30	1	3031		1	2 - 2	RW	Yes	3 & 6, 16
ID30	Max offset	<p><b>Max offset value between encoder position and step counter position before boosting starts.</b></p> <p>3...15% (min step – 1%)</p>	3	15	3	3032		1	2 - 2	RW	Yes	3 & 6, 16
ID31	Reset A9 Alarms	<p><b>Define how to Reset/ Suppress A9 alarm and DO Common Alarm ON.</b></p> <p><b>2: Suppress:</b> Ignore detection of the stall. No alarm is raised and DO Common Alarm output remains OFF.</p> <p><b>1: Auto:</b> Reset when it is within max offset (ID30) limit again and reset delay time (ID32) has elapsed</p> <p><b>0: Manually:</b> User resets alarm using the reset alarm action.</p> <p><b>Note: It is not recommended to change this setting from default.</b></p>	0	2	1	3033		1	2 - 2	RW	Yes	3 & 6, 16
ID32	Reset A9 Alarm delay	<p><b>Define the reset delay for A9 alarms.</b></p> <p>Only active when reset A9 alarm (ID31) is set to auto.</p> <p>1...20 minutes (min step – 1)</p> <p><b>Note: It is not recommended to change this setting from default, and this value should always be longer than the boost delay (ID29)</b></p>	1	20	5	3034		1	2 - 2	RW	Yes	3 & 6, 16

## Service/System Parameters

Label ID	Parameter name	Description and selection options	Min.	Max.	Factory setting	Modbus address	Alternative Modbus address	Size in bytes	Password level to Read - Write	Read only (RO) / Read Write (RW) / Write (W)	Persistent Yes/No	Modbus function
ID49	Service reminder	Use a service reminder for when the valve should be serviced in order to maintain operation of the system. ICAD will initiate a warning when Time to next service (ID50) reaches 0. Valves should be checked once a year. This is enabled by default. <b>1: Turn On</b> Service reminder <b>0: Turn Off</b> Service reminder	0	1	0	3062	3349	1	1 - 2	RW	Yes	3 & 6, 16
ID51	Reset service interval	Reset the current service interval. This is required when ICAD has warning 'Service interval overdue (A15)' active, and the valve has been physically examined by a technician. <b>1: Yes:</b> Time overdue will be reset. Time to next service will be set to Service interval. The parameter will automatically be set back to 'no'. <b>0: No:</b> Not active	0	1	0	3066		1	2 - 2	RW	No	3 & 6, 16
ID234	Service interval	Indicates the service interval until the valve should be checked. This is by default once a year. 1...999 (in days)	1	999	365	3065	3352	2	1 - 2	RW	Yes	3 & 6, 16
ID26	Clear event log	<b>Clear event log</b> <b>1: Yes:</b> All event log entries will be hidden. The parameter will automatically be set back to 'no' when hide has finished <b>0: No:</b> Not active	0	1	0	3123		1	2 - 2	RW	No	3
ID52	User logout time	The time user remains logged in to service mode without doing any actions before automatically logged out 30...1200 (in seconds)	30	1200	360	3067		2	1 - 2	RW	Yes	3 & 6, 16
ID53	ICAD name	Name assigned to ICAD as the identification shown on built-in display and for connection via Bluetooth. 16 ASCII symbols, 8bits per symbol (2 symbols per register)			ICAD	3068 ... 3075	3353 ... 3360	30	1 - 2	RW	Yes	3 & 6, 16
ID54	Bluetooth enable	Enable ICAD to broadcast Bluetooth for remote connection via APP. <b>1: enable;</b> <b>0: disable</b>	0	1	1	3076	3361	1	1 - 2	RW	Yes	3 & 6, 16
ID236	Factory reset	<b>Factory reset action for ICAD</b> <b>1: Yes:</b> All parameters will be returned to factory default settings, and the event log will be cleared. The parameter will automatically be set back to 'no' when factory reset has finished <b>0: No:</b> Not active	0	1	0	3087		1	2 - 2	RW	No	3 & 6, 16

### Service/Display Parameters

Label ID	Parameter name	Description and selection options	Min.	Max.	Factory setting	Modbus address	Alternative Modbus address	Size in bytes	Password level to Read - Write	Read only (RO) / Read Write (RW) / Write (W)	Persistent Yes/No	Modbus function
<b>ID56</b>	Backlight	Manage the backlight level of the built-in display on ICAD <b>1...100%</b> (min step – 1%)	1	100	50	3091	3381	1	1 - 2	RW	Yes	3 & 6, 16
<b>ID57</b>	Contrast	Manage the contrast level of the built-in display on ICAD <b>1...100%</b> (min step – 1%)	1	100	50	3092	3382	1	1 - 2	RW	Yes	3 & 6, 16

### Service/Network Parameters, (RS485)

Label ID	Parameter name	Description and selection options	Min.	Max.	Factory setting	Modbus address	Alternative Modbus address	Size in bytes	Password level to Read - Write	Read only (RO) / Read Write (RW) / Write (W)	Persistent Yes/No	Modbus function
<b>ID58</b>	Modbus network address	<b>Modbus RS485 network address of ICAD</b> This is shown in display when the ICAD supports Modbus communication and Modbus is enabled.	1	247	1	3100	3391	1	1 - 2	RW	Yes	3 & 6, 16
<b>ID59</b>	Modbus baud rate	The baud rate your Modbus RS485 controller uses to be able to communicate with ICAD via Modbus. <b>8: 115200</b> <b>7: 57600;</b> <b>6: 38400;</b> <b>5: 19200;</b> <b>4: 14400;</b> <b>3: 9600;</b> <b>2: 4800;</b> <b>1: 2400;</b> <b>0: 1200;</b>	0	8	6	3101	3392	1	1 - 2	RW	Yes	3 & 6, 16
<b>ID61</b>	Modbus parity	Set via <b>com type</b> on display: <b>2:</b> even <b>1:</b> odd <b>0:</b> no parity Other = custom setup via Modbus	0	2	2	3102	3393	1	1 - 2	RW	Yes	3 & 6, 16
<b>ID63</b>	Modbus stops bits	Modbus stops bits <b>1:</b> 2 bits; <b>0:</b> 1 bit	0	1	0	3103	3394	1	1 - 2	RW	Yes	3 & 6, 16



## ICM and ICMTS Motorized Valves with ICAD Actuators

Label ID	Parameter name	Description and selection options	Min.	Max.	Factory setting	Modbus address	Alternative Modbus address	Size in bytes	Password level to Read - Write	Read only (RO) / Read Write (RW) / Write (W)	Persistent Yes/No	Modbus function
<b>ID237</b>	Modbus enable	Enable/disable Modbus to manage if data can be read and set via Modbus connection. <b>1: enable;</b> <b>0: disable</b>	0	1	1	3104	3395	1	1 - 2	RW	Yes	3 & 6, 16
<b>ID155</b>	Modbus heartbeat enable	Active when ID2 is modulating and ID3 is modbus <b>1: enable;</b> <b>0: disable</b>	0	1	0	3093	3378	2	1 - 2	RW	Yes	3 & 6, 16
<b>ID156</b>	Modbus heartbeat interval	When ID155 Modbus heartbeat is enabled. The interval with which the PLC should send Modbus requests to ICAD. If the ICAD does not receive any (read/write parameter) Modbus request during this interval, the A3 Alarm (signal lost) will be set 5...120 seconds (min step - 1)	5	120	30	3094	3379	2	1 - 2	RW	Yes	3 & 6, 16

## Service/Network Parameters, (Ethernet)

Label ID	Parameter name	Description and selection options	Min.	Max.	Factory setting	Modbus address	Alternative Modbus address	Size in bytes	Password level to Read - Write	Read only (RO) / Read Write (RW) / Write (W)	Persistent Yes/No	Modbus function
ID116	IP address mode	Use parameters ID112, ID113, ID114 to set a Static IP. Read the current automatically received with DHCP or Auto IP address in the ID114 parameter. <b>2:</b> Auto IP; <b>1:</b> DHCP <sup>(1)</sup> ; <b>0:</b> Static IP	0	2	0	3180	3383	2	1 - 2	RW	Yes	3 & 6, 16
ID115	Ethernet port	System <b>Port 502</b> is reserved specifically for Modbus applications. If you change this parameter, you must be sure what you are doing. The following ports are used by the Modbus/TCP protocol: • By default, the protocol uses Port 502 as local port in the Modbus server. • You can set the local port as you wish in the Modbus client. Usually, port numbers starting at 2000 are used. <i>*If the communication partners offer the option of setting the port numbers for the server, then it is also possible to communicate using the Modbus/TCP protocol via a port other than Port 502.</i>	1	32764	502	3181	3384	2	1 - 2	RW	Yes	3 & 6, 16
ID114	Ethernet IP address	Set the desired static IP address or read the automatically received IP. Should be different from ID113 default gateway parameter. 0x00000000...0xDFFFFFFF (4 x 8-bit values, e.g. 0xff010203 = 255.01.02.03 address)	0x00000000	0xDFFFFFFF	0xC0A80202 192.168.2.2	3182 ... 3183	3385 ... 3386	4	1 - 2	RW	Yes	Only multiple write allowed 16 & 3
ID113	Ethernet Default Gateway	<i>For static IP</i>	0x00000000	0xDFFFFFFF	0xC0A80001 192.168.0.1	3184 ... 3185	3387 ... 3388	4	1 - 2	RW	Yes	3
ID112	Ethernet Subnet Mask	<i>For static IP</i>	0x00000000	0xDFFFFFFF	0xFFFFFFFF 255.255.255.0	3186 ... 3187	3389 ... 3390	4	1 - 2	RW	Yes	3

<sup>(1)</sup> The device first makes a request to a DHCP server for an address. If the device does not receive an IP address, which happens when there is no DHCP server on the network or when the DHCP server is not responding, the device assigns itself an address. Auto IP addresses always follow this pattern: 169.254.x.y, where x and y are any two numbers between 0 and 255. Unlike DHCP, Auto IP does not require a router or a separate server to assign an IP address.

### Status/I/O Status

Label ID	Parameter name	Description and selection options	Min.	Max.	Factory setting	Modbus address	Alternative Modbus address	Size in bytes	Password level to Read - Write	Read only (RO) / Read Write (RW) / Write (W)	Persistent Yes/No	Modbus function
ID37	DI	Readout the digital input when the operation mode (ID2) is set to ON/OFF or 3-point control. <b>3:</b> DI1 - on, DI2 - on; <b>2:</b> DI1 - off, DI2 - on; <b>1:</b> DI1 - on, DI2 - off; <b>0:</b> DI1 - off, DI2 - off; <b>Note that for ON/OFF only DI1 is active:</b> <b>1:</b> DI1 - on <b>0:</b> DI1 - off	0	3	0	3044	3328	1	1	RO	No	3
ID38	DO (fully close)	DO Fully closed status (ON when OD < 3%) <b>1:</b> Yes; <b>0:</b> No	0	1	0	3045	3329	1	1	RO	No	3
ID39	DO (fully open)	DO Fully opened status (ON when OD > 97%) <b>1:</b> Yes; <b>0:</b> No	0	1	0	3046	3330	1	1	RO	No	3
ID40	DO (alarm show)	DO common alarm status (Active when there are active alarms) <b>1:</b> Active; <b>0:</b> OFF	0	1	0	3047	3331	1	1	RO	No	3

### Status/Next Service

Label ID	Parameter name	Description and selection options	Min.	Max.	Factory setting	Modbus address	Alternative Modbus address	Size in bytes	Password level to Read - Write	Read only (RO) / Read Write (RW) / Write (W)	Persistent Yes/No	Modbus function
ID233	Time overdue	Once the service interval has passed, and Time to next service (ID50) has reached 0, the time overdue is calculated. Time is updated every 30 minutes and calculated as full days (24 hours) based on runtime. 0...32764 (in days)	0	32764	0	3063	3350	2	1	RO	Yes	3
ID50	Time to next service	Readout the days remaining of the current service interval (ID234). Time is updated every 30 minutes and calculated as full days (24 hours) based on runtime. 0...999 (in days)	0	999	365	3064	3351	2	1	RO	Yes	3
ID48	Run time	Readout the run time in full hours for the ICAD from when it was first powered on or factory reset. Saved every 30min 0...4294967293 (in minutes)	0	4294967293	0	3060 ... 3061	3347 ... 3348	4	1	RO	Yes	3

### Status/Supply

Label ID	Parameter name	Description and selection options	Min.	Max.	Factory setting	Modbus address	Alternative Modbus address	Size in bytes	Password level to Read - Write	Read only (RO) / Read Write (RW) / Write (W)	Persistent Yes/No	Modbus function
<b>ID228</b>	Power supply voltage (V)	Readout the current power supply voltage to ICAD in Volt. 0...300 points, where 10 = 1V (i.e. 234 = 23.4V; 100 = 10.0V)	0	300	0	3054	3336	2	1	RO	No	3
<b>ID227</b>	UPS health	Readout the state of the UPS. Only active when UPS supply (ID21) is set to yes and the UPS setting (ID22) is not set to off. <b>1:</b> OK; <b>0:</b> Poor	0	1	0	3052	3335	1	1	RO	No	3

### Status/Read Outs Parameters

Label ID	Parameter name	Description and selection options	Min.	Max.	Factory setting	Modbus address	Alternative Modbus address	Size in bytes	Password level to Read - Write	Read only (RO) / Read Write (RW) / Write (W)	Persistent Yes/No	Modbus function
<b>ID1</b>	Main switch	Readout the main switch state of ICAD. <b>2:</b> config; <b>1:</b> manual; <b>0:</b> auto	0	2	0	3055	3337	1	1	RO	No	3
<b>ID2</b>	Mode	Readout ICAD mode <b>2:</b> 3 – point; <b>1:</b> on/off; <b>0:</b> modulating	0	2	0	3001	3301	1	1 - 2	RW	Yes	3 & 6, 16
<b>ID8</b>	Valve configuration	Readout the valve configuration for ICAD. <b>12:</b> ICADTS ICMTS 50/80; <b>11:</b> ICADTS ICMTS20; <b>10:</b> Pilot Valve CVE; <b>9:</b> ICAD1200B ICM150; <b>8:</b> ICAD1200B ICM125; <b>7:</b> ICAD1200B ICM100; <b>6:</b> ICAD1200B ICM65; <b>5:</b> ICAD1200B ICM50; <b>4:</b> ICAD1200B ICM40; <b>3:</b> ICAD600B ICM32; <b>2:</b> ICAD600B ICM25; <b>1:</b> ICAD600B ICM20; <b>0:</b> not configured	0	13	0	3056	3338	1	1	RO	No	3
<b>ID34</b>	AI (current, mA)	Readout the analog input when the operation mode (ID2) is set to modulating and the input signal (ID3) is set to use current (0-20mA or 4-20mA) 0...22000 points, where 1000 = 1mA (i.e. 10031 = 10.031mA; 7062 = 7.062mA)	0	22000	0	3041	3325	2	1	RO	No	3
<b>ID35</b>	AI (voltage, V)	Readout the analog input when the operation mode (ID2) is set to modulating and the input signal (ID3) is set to use voltage (0-10V or 2-10V) 0...12000 points, where 1000 = 1V (i.e. 1291 = 1.291V; 10372 = 10.372V)	0	12000	0	3042	3326	2	1	RO	No	3

## ICM and ICMTS Motorized Valves with ICAD Actuators

Label ID	Parameter name	Description and selection options	Min.	Max.	Factory setting	Modbus address	Alternative Modbus address	Size in bytes	Password level to Read - Write	Read only (RO) / Read Write (RW) / Write (W)	Persistent Yes/No	Modbus function
ID36	AO (current, mA)	Readout the analog output when AO signal output (ID18) is set to use (0-20mA or 4-20mA) 0...22000 points, where 1000 = 1mA (i.e. 10031 = 10.031mA; 7062 = 7.062mA)	0	22000	0	3043	3327	2	1	RO	No	3
ID21	UPS supply	Readout of Uninterruptible Power Supply (UPS) is applied to the ICAD. This enabled A4 alarms (Low voltage of UPS supply). <b>1:</b> yes; <b>0:</b> no	0	1	0	3023	3308	1	1 - 2	RW	Yes	3 & 6, 16
ID20	Emergency state	Readout of the requested valve position for safe state. Safe state occurs for A2, A3, A5, A8, A10, and can be a result of the boosting process during A9. <b>3:</b> emergency opening degree (set position to ID27) <b>2:</b> maintain position; <b>1:</b> open valve; <b>0:</b> close valve;	0	3	0	3022	3319	1	1 - 2	RW	Yes	3 & 6, 16
ID28	Boost action	Readout of boost action. How to manage when the opening degree is outside of the threshold of the max offset allowed (ID30). <b>2:Once:</b> If boosting for 15 seconds did not allow to get back into position, then A9 alarm is raised and ICAD goes to Safe state (ID20) (if feasible), no calibration. <b>1: Cycling:</b> Keep boosting 15 seconds, break for the time specified as boost delay (ID29), then raise A9 alarm. Cycle continues position has been regained. <b>Note: It is not recommended to change this setting from default.</b>	1	2	1	3030		1	2 - 2	RW	Yes	3 & 6, 16
ID29	Boost delay	Readout of boost delay. Minutes after boost before next boost and raise of A9 alarm. 1...30 minutes (min step – 1) <b>Note: It is not recommended to change this setting from default.</b>	1	30	1	3031		1	2 - 2	RW	Yes	3 & 6, 16
ID30	Max offset	Max offset value between encoder position and step counter position before boosting starts. <b>3...15%</b> (min step – 1%)	3	15	3	3032		1	2 - 2	RW	Yes	3 & 6, 16

## ICM and ICMTS Motorized Valves with ICAD Actuators

Label ID	Parameter name	Description and selection options	Min.	Max.	Factory setting	Modbus address	Alternative Modbus address	Size in bytes	Password level to Read - Write	Read only (RO) / Read Write (RW) / Write (W)	Persistent Yes/No	Modbus function
ID31	Reset A9 Alarms	Define how to Reset/ Suppress A9 alarm and DO Common Alarm ON. <b>2: Suppress:</b> Ignore detection of the stall. No alarm is raised and DO Common Alarm output remains OFF. <b>1: Auto:</b> Reset when it is within max offset (ID30) limit again and reset delay time (ID32) has elapsed <b>0: Manually:</b> User resets alarm using the reset alarm action. <b>Note: It is not recommended to change this setting from default.</b>	0	2	1	3033		1	2 - 2	RW	Yes	3 & 6, 16
ID32	Reset A9 Alarm delay	Define the reset delay for A9 alarms. Only active when reset A9 alarm (ID31) is set to auto. 1...20 minutes (min step - 1) <b>Note: It is not recommended to change this setting from default, and this value should always be longer than the boost delay (ID29)</b>	1	20	5	3034		1	2 - 2	RW	Yes	3 & 6, 16
ID42	Temperature	Readout the internal temperature measured on the ICAD motor board in degree celcius. -500...1400 points, where 10 = 1°C (i.e. -125 = -12.5°C; 1245 = 124.5°C)	-500	1400	0	3050	3334	2	1	RO	No	3
ID54	Bluetooth	Manage if ICAD broadcasts Bluetooth for remote connection via APP. <b>1: enable;</b> <b>0: disable</b>	0	1	1	3076	3361	1	1 - 2	RW	Yes	3 & 6, 16
ID237	Modbus	Enable/disable Modbus to manage if data can be read and set via Modbus connection. <b>1 = enable;</b> <b>0 = disable</b>	0	1	1	3104	3395	1	1 - 2	RW	Yes	3 & 6, 16

## Alarms/Alarm Parameters

Label ID	Parameter name	Description and selection options	Min.	Max.	Factory setting	Modbus address	Alternative Modbus address	Size in bytes	Password level to Read - Write	Read only (RO) / Read Write (RW) / Write (W)	Persistent Yes/No	Modbus function
<b>ID120</b>	A1 timestamp (Warn: Valve no config)	Timestamp of the alarm occurrence relative to the runtime counter (ID48), Or -1 (0xFFFFFFFF in hex) if the alarm is not set <b>[ID48</b> (while the device is working)] - [event/alarm <b>timestamp</b> (point in ID48 at which the current event occurred)] = minutes that have passed since the event/ alarm occurred (to show <b>XX minutes(or hours) ago</b> )	-1	4294967294	4294967295 (-1, or 0xFFFFFFFF in hex)	3200 ... 3201	3404 ... 3405	4	1	RO	No	3
<b>ID121</b>	A2(1) timestamp (Alarm: IO MCU comm fail)	Timestamp of the alarm occurrence relative to the runtime counter (ID48), Or -1 (0xFFFFFFFF in hex) if the alarm is not set	-1	4294967294	4294967295 (-1, or 0xFFFFFFFF in hex)	3202 ... 3203	3406 ... 3407	4	1	RO	No	3
<b>ID122</b>	A2(2) timestamp (Alarm: Motor open-load status)	Timestamp of the alarm occurrence relative to the runtime counter (ID48), Or -1 (0xFFFFFFFF in hex) if the alarm is not set	-1	4294967294	4294967295 (-1, or 0xFFFFFFFF in hex)	3204 ... 3205	3408 ... 3409	4	1	RO	No	3
<b>ID123</b>	A3(1) timestamp (Alarm: AI error: > 22 mA)	Timestamp of the alarm occurrence relative to the runtime counter (ID48), Or -1 (0xFFFFFFFF in hex) if the alarm is not set	-1	4294967294	4294967295 (-1, or 0xFFFFFFFF in hex)	3206 ... 3207	3410 ... 3411	4	1	RO	No	3
<b>ID124</b>	A3(2) timestamp (Alarm: AI error: < 2 mA)	Timestamp of the alarm occurrence relative to the runtime counter (ID48), Or -1 (0xFFFFFFFF in hex) if the alarm is not set	-1	4294967294	4294967295 (-1, or 0xFFFFFFFF in hex)	3208 ... 3209	3412 ... 3413	4	1	RO	No	3
<b>ID125</b>	A3(3) timestamp (Alarm: AI error: > 12 V)	Timestamp of the alarm occurrence relative to the runtime counter (ID48), Or -1 (0xFFFFFFFF in hex) if the alarm is not set	-1	4294967294	4294967295 (-1, or 0xFFFFFFFF in hex)	3210 ... 3211	3414 ... 3415	4	1	RO	No	3
<b>ID126</b>	A3(4) timestamp (Alarm: AI error: < 1 V)	Timestamp of the alarm occurrence relative to the runtime counter (ID48), Or -1 (0xFFFFFFFF in hex) if the alarm is not set	-1	4294967294	4294967295 (-1, or 0xFFFFFFFF in hex)	3212 ... 3213	3416 ... 3417	4	1	RO	No	3
<b>ID127</b>	A4 timestamp (Alarm: V FSS error)	Timestamp of the alarm occurrence relative to the runtime counter (ID48), Or -1 (0xFFFFFFFF in hex) if the alarm is not set	-1	4294967294	4294967295 (-1, or 0xFFFFFFFF in hex)	3214 ... 3215	3418 ... 3419	4	1	RO	No	3
<b>ID128</b>	A5 timestamp (Alarm: V PS error)	Timestamp of the alarm occurrence relative to the runtime counter (ID48), Or -1 (0xFFFFFFFF in hex) if the alarm is not set	-1	4294967294	4294967295 (-1, or 0xFFFFFFFF in hex)	3216 ... 3217	3420 ... 3421	4	1	RO	No	3
<b>ID129</b>	A6 timestamp (Alarm: Calibr fail)	Timestamp of the alarm occurrence relative to the runtime counter (ID48), Or -1 (0xFFFFFFFF in hex) if the alarm is not set	-1	4294967294	4294967295 (-1, or 0xFFFFFFFF in hex)	3218 ... 3219	3422 ... 3423	4	1	RO	No	3
<b>ID130</b>	A7 timestamp (Alarm: Overheating)	Timestamp of the alarm occurrence relative to the runtime counter (ID48), Or -1 (0xFFFFFFFF in hex) if the alarm is not set	-1	4294967294	4294967295 (-1, or 0xFFFFFFFF in hex)	3220 ... 3221	3424 ... 3425	4	1	RO	No	3

## ICM and ICMTS Motorized Valves with ICAD Actuators

Label ID	Parameter name	Description and selection options	Min.	Max.	Factory setting	Modbus address	Alternative Modbus address	Size in bytes	Password level to Read - Write	Read only (RO) / Read Write (RW) / Write (W)	Persistent Yes/No	Modbus function
<b>ID131</b>	A8 timestamp (Alarm: Overheating)	Timestamp of the alarm occurrence relative to the runtime counter (ID48), Or -1 (0xFFFFFFFF in hex) if the alarm is not set	-1	4294967294	4294967295 (-1, or 0xFFFFFFFF in hex)	3222 ... 3223	3426 ... 3427	4	1	RO	No	3
<b>ID132</b>	A9 timestamp (Alarm: POM mode)	Timestamp of the alarm occurrence relative to the runtime counter (ID48), Or -1 (0xFFFFFFFF in hex) if the alarm is not set	-1	4294967294	4294967295 (-1, or 0xFFFFFFFF in hex)	3224 ... 3225	3428 ... 3429	4	1	RO	No	3
<b>ID133</b>	A10 timestamp (Alarm: SPI conn loss)	Timestamp of the alarm occurrence relative to the runtime counter (ID48), Or -1 (0xFFFFFFFF in hex) if the alarm is not set	-1	4294967294	4294967295 (-1, or 0xFFFFFFFF in hex)	3226 ... 3227	3430 ... 3431	4	1	RO	No	3
<b>ID134</b>	A11 timestamp (reserved)	Timestamp of the alarm occurrence relative to the runtime counter (ID48), Or -1 (0xFFFFFFFF in hex) if the alarm is not set	-1	4294967294	4294967295 (-1, or 0xFFFFFFFF in hex)	3228 ... 3229	3432 ... 3433	4	1	RO	No	3
<b>ID135</b>	A13 timestamp (Alarm: Failed update)	Timestamp of the alarm occurrence relative to the runtime counter (ID48), Or -1 (0xFFFFFFFF in hex) if the alarm is not set	-1	4294967294	4294967295 (-1, or 0xFFFFFFFF in hex)	3230 ... 3231	3434 ... 3435	4	1	RO	No	3
<b>ID136</b>	A14 timestamp (Warn: SoH is bad)	Timestamp of the alarm occurrence relative to the runtime counter (ID48), Or -1 (0xFFFFFFFF in hex) if the alarm is not set	-1	4294967294	4294967295 (-1, or 0xFFFFFFFF in hex)	3232 ... 3233	3436 ... 3437	4	1	RO	No	3
<b>ID137</b>	A15 timestamp (Warn: Service overdue)	Timestamp of the alarm occurrence relative to the runtime counter (ID48), Or -1 (0xFFFFFFFF in hex) if the alarm is not set	-1	4294967294	4294967295 (-1, or 0xFFFFFFFF in hex)	3234 ... 3235	3438 ... 3439	4	1	RO	No	3
<b>ID138</b>	A16 timestamp (Warn: Config. mode)	Timestamp of the alarm occurrence relative to the runtime counter (ID48), Or -1 (0xFFFFFFFF in hex) if the alarm is not set	-1	4294967294	4294967295 (-1, or 0xFFFFFFFF in hex)	3236 ... 3237	3440 ... 3441	4	1	RO	No	3
<b>ID139</b>	A17 timestamp (Warn: Bluetooth conn)	Timestamp of the alarm occurrence relative to the runtime counter (ID48), Or -1 (0xFFFFFFFF in hex) if the alarm is not set	-1	4294967294	4294967295 (-1, or 0xFFFFFFFF in hex)	3238 ... 3239	3442 ... 3443	4	1	RO	No	3
<b>ID140</b>	A18 timestamp (Warn: Vin >24+10%)	Timestamp of the alarm occurrence relative to the runtime counter (ID48), Or -1 (0xFFFFFFFF in hex) if the alarm is not set	-1	4294967294	4294967295 (-1, or 0xFFFFFFFF in hex)	3240 ... 3241	3444 ... 3445	4	1	RO	No	3
<b>ID141</b>	A19 timestamp (Warn: Vin <24-15%)	Timestamp of the alarm occurrence relative to the runtime counter (ID48), Or -1 (0xFFFFFFFF in hex) if the alarm is not set	-1	4294967294	4294967295 (-1, or 0xFFFFFFFF in hex)	3242 ... 3243	3446 ... 3447	4	1	RO	No	3
<b>ID146</b>	A20 timestamp (Alarm: Detection fail)	Timestamp of the alarm occurrence relative to the runtime counter (ID48), Or -1 (0xFFFFFFFF in hex) if the alarm is not set	-1	4294967294	4294967295 (-1, or 0xFFFFFFFF in hex)	3244 ... 3245	3448 ... 3449	4	1	RO	No	3
<b>ID148</b>	A2(3) timestamp (Alarm: EEPROM operation fail)	Timestamp of the alarm occurrence relative to the runtime counter (ID48), Or -1 (0xFFFFFFFF in hex) if the alarm is not set	-1	4294967294	4294967295 (-1, or 0xFFFFFFFF in hex)	3246 ... 3247	3450 ... 3451	4	1	RO	No	3



## ICM and ICMTS Motorized Valves with ICAD Actuators

Label ID	Parameter name	Description and selection options	Min.	Max.	Factory setting	Modbus address	Alternative Modbus address	Size in bytes	Password level to Read - Write	Read only (RO) / Read Write (RW) / Write (W)	Persistent Yes/No	Modbus function
<b>ID149</b>	A2(4) timestamp (Alarm: Bluetooth MCU comm fail)	Timestamp of the alarm occurrence relative to the runtime counter (ID48), Or -1 (0xFFFFFFFF in hex) if the alarm is not set	-1	4294967294	4294967295 (-1, or 0xFFFFFFFF in hex)	3248 ... 3249	3452 ... 3453	4	1	RO	No	3
<b>ID150</b>	A3(5) timestamp (Alarm: Modbus connection lost)	Timestamp of the alarm occurrence relative to the runtime counter (ID48), Or -1 (0xFFFFFFFF in hex) if the alarm is not set	-1	4294967294	4294967295 (-1, or 0xFFFFFFFF in hex)	3250 ... 3251	3454 ... 3455	4	1	RO	No	3
<b>ID152</b>	A1(2) timestamp (Warn: Input signal not configured)	Timestamp of the alarm occurrence relative to the runtime counter (ID48), Or -1 (0xFFFFFFFF in hex) if the alarm is not set	-1	4294967294	4294967295 (-1, or 0xFFFFFFFF in hex)	3252 ... 3253	3456 ... 3457	4	1	RO	No	3

## Alarms/Event Log Parameters

Label ID	Parameter name	Description and selection options	Min.	Max.	Factory setting	Modbus address	Alternative Modbus address	Size in bytes	Password level to Read - Write	Read only (RO) / Read Write (RW) / Write (W)	Persistent Yes/No	Modbus function
<b>ID43</b>	Stalls	Readout the total stalls (times ICAD stopped due to A9 alarms) done by the ICAD from when it was first powered on. Saved every 30min.	0	32764	0	3120	3396	2	1	RO	Yes	3
<b>ID46</b>	Full strokes	Readout the total strokes (movement) done by the ICAD from when it was first powered on. Saved every 30min. Full strokes are defined as 0% to 100% to 0% opening degree.	0	4294967293	0	3121 ... 3122	3397 ... 3398	4	1	RO	Yes	3
<b>ID230</b>	Alarm A9 (total counter)	Total number of A9 alarms for the ICAD is tracked.	0	32764	0	3124	3399	2	1	RO	Yes	3

## ICM and ICMTS Motorized Valves with ICAD Actuators

Label ID	Parameter name	Description and selection options	Min.	Max.	Factory setting	Modbus address	Alternative Modbus address	Size in bytes	Password level to Read - Write	Read only (RO) / Read Write (RW) / Write (W)	Persistent Yes/No	Modbus function
ID241	Active alarms	Shows active alarms (e.g. value 0x00000406 = 0000 0000 0000 0000 0000 0100 0000 0110 -> alarms A2, A3, A8 have been set and active) <b>0th bit:</b> A2 (IO MCU comm fail); <b>1st bit:</b> A2 (open-load status); <b>2nd bit:</b> A3 (AI error: > 22 mA); <b>3rd bit:</b> A3 (AI error: < 2 mA); <b>4th bit:</b> A3 (AI error: > 12 V); <b>5th bit:</b> A3 (AI error: < 1 V); <b>6th bit:</b> A4 (V FSS error); <b>7th bit:</b> A5 (V PS error); <b>8th bit:</b> A6 (Calibr fail); <b>9th bit:</b> A7 (Overheating); <b>10th bit:</b> A8 (Overheating); <b>11th bit:</b> A9 (POM mode); <b>12th bit:</b> A10 (SPI conn loss); <b>13th bit:</b> A13 (Failed update); <b>14th bit:</b> A20 (Detection fail); <b>15th bit:</b> A2 (EEPROM operation fail); <b>16th bit:</b> A2 (Bluetooth MCU comm fail); <b>17th bit:</b> A3 (Modbus connection lost)			0	3129 ... 3130	3400 ... 3401	4	1	RO	No	3
ID248	Active warnings	Shows active warnings <b>0th bit:</b> A1 (Valve not config); <b>1st bit:</b> A11 ( <i>reserved</i> ); <b>2nd bit:</b> A14 (SoH is bad); <b>3rd bit:</b> A15 (Service overdue); <b>4th bit:</b> A16 (Config. mode); <b>5th bit:</b> A17 (Bluetooth conn); <b>6th bit:</b> A18 (Vin >24+10%); <b>7th bit:</b> A19 (Vin <24-15%); <b>8th bit:</b> A1 (Input not config)			0	3131	3402	2	1	RO	No	3
ID232	Total events	Total number of events in the event log (the maximum value is changeable, depends on the types of events in the event log)	0	1000	0	3132	3403	2	1	RO	No	3

Info

Label ID	Parameter name	Description and selection options	Min.	Max.	Factory setting	Modbus address	Alternative Modbus address	Size in bytes	Password level to Read - Write	Read only (RO) / Read Write (RW) / Write (W)	Persistent Yes/No	Modbus function
ID53	ICAD name	Name assigned to ICAD as the identification shown on built-in display and for connection via Bluetooth. 16 ASCII symbols, 8bits per symbol (2 symbols per register)		ICAD	3068 ... 3075	3353 ... 3360	30	1 - 2	RW	Yes	<b>3 &amp; 6, 16</b>	
ID253	ICAD model	Readout the ICAD model type. <b>3:</b> ICADB TS <b>2:</b> ICAD 1200B; <b>1:</b> ICAD 600B; <b>0:</b> not configured;	0	3	0	3057	3339	1	1	RO	Yes	3
ID8	Valve configuration	Readout the valve configuration for ICAD <b>12:</b> ICADBTS ICMTS 50/80; <b>11:</b> ICADBTS ICMTS20; <b>10:</b> Pilot Valve CVE; <b>9:</b> ICAD1200B ICM150; <b>8:</b> ICAD1200B ICM125; <b>7:</b> ICAD1200B ICM100; <b>6:</b> ICAD1200B ICM65; <b>5:</b> ICAD1200B ICM50; <b>4:</b> ICAD1200B ICM40; <b>3:</b> ICAD600B ICM32; <b>2:</b> ICAD600B ICM25; <b>1:</b> ICAD600B ICM20; <b>0:</b> not configured	0	13	0	3056	3338	1	1	RO	No	3
ID221	SW Version (High)	Readout the software version of ICAD nn.xx	0	255	0	3048	3332	1	1	RO	No	3
ID222	SW Version (Low)	Readout the software version of ICAD xx.nn	0	255	0	3049	3333	1	1	RO	No	3
ID143	Hardware version	Format MM.CC (1 byte Motor PCB, 1 byte Connector PCB) (e.g. value 0x0102 = 01.02v - > 01 Motor PCB version, 02 Connector PCB version) (reserved up to 0xFFFFFFFF)	0x0000	0xFFFF	0x0000	3156 ... 3157	3345 ... 3346	4	1	RO	No	3
ID102	Previously configured	Indicates if this ICAD has previously been configured. This controls when the setup wizard is shown when connecting to ICAD via the APP. <b>1:</b> configured; <b>0:</b> not configured	0	1	0	3089		1	1 - 2	RW	Yes	3 & 6, 16
ID235	Serial number	The unique serial number of ICAD. Number generated by: nnnnnnnCCCCCCCCPPWWYY - running number (n) + Product number (Cs) + Mfg place& time nnnnnnn part - 2 registers CCCCCCCC PP parts - 5 registers, in ASCII symbols, 8bits per symbol (2 symbols per register) WW part - 1 register YY part - 1 register D part - 1 register			0	3077 ... 3086	3362 ... 3371	30	1	RO	Yes	3
ID48	Run time	Readout the run time in full minutes for the ICAD from when it was first powered on. Saved every 30min (in minutes)	0	4294967293	0	3060 ... 3061	3347 ... 3348	4	1	RO	Yes	3 & 6, 16

## Non-displayed Parameters

Label ID	Parameter name	Description and selection options	Min.	Max.	Factory setting	Modbus address	Alternative Modbus address	Size in bytes	Password level to Read - Write	Read only (RO) / Read Write (RW) / Write (W)	Persistent Yes/No	Modbus function
ID55	Screen saver	Manage the time elapsed without user actions before the built-in display of ICAD goes to sleep mode (in seconds). Pressing any button ends the screen saver mode	30	1200	360	3090	3380	2	1 - 2	RW	Yes	3 & 6, 16
ID226	Status	Readout the current ICAD status <b>6: Config:</b> ICAD continues to operate as before. In config mode parameters can be changed but are not applied until setting main switch back to auto or manual <b>5: Valve detection:</b> ICAD is currently detecting a valve <b>4: Safe state:</b> ICAD has stopped operation and applied the emergency state setting (ID20) <b>3: Boost:</b> ICAD is currently boosting to achieve the requested position <b>2: Calibration:</b> ICAD is currently calibrating <b>1: Manual:</b> User manually sets the valve position to be maintained <b>0: Auto:</b> Input signal type (ID3) controls valve position	0	6	0	3051	3322	1	1	RO	No	3
ID33	Current OD	Readout the opening degree (OD). 0...10000 points, where 100 = 1% (I.e. 5219 = 052.19%; 10000 = 100.00%)	0	10000	0	3040	3323	2	1	RO	No	3
ID211	Requested OD	Readout the requested opening degree automatically matching the settings for input type and operation mode. 0...10000 points, where 100 = 1% (I.e. 5219 = 052.19%; 10000 = 100.00%)	0	10000	0	3053	3324	2	1	RO	No	3
ID254	Current access level	Readout the current access level corresponding to user login. This manages rights for reading and writing parameters, and controls what the user sees <b>3: Danfoss Admin;</b> <b>2: Service;</b> <b>1: Read only</b>	1	3	1	3058	3340	1	1-2	RW	No	3
ID239	Battery voltage	Readout the current voltage of the UPS battery, when this is attached and enabled. 0...300 points, where 10 = 1V (I.e. 234 = 23.4V; 100 = 10.0V)	0	300	0	3059	3341	1	1	RO	No	3

## ICM and ICMTS Motorized Valves with ICAD Actuators

Label ID	Parameter name	Description and selection options	Min.	Max.	Factory setting	Modbus address	Alternative Modbus address	Size in bytes	Password level to Read - Write	Read only (RO) / Read Write (RW) / Write (W)	Persistent Yes/No	Modbus function
<b>ID103</b>	Controller ID	Readout the controller ID to determine that this is an ICAD. 70 = ICAD			70	5001			1	RO	No	
<b>ID231</b>	REBOOT	Reboot ICAD <b>1: Yes:</b> The device will reboot. The parameter will automatically be set back to 'no' <b>0: No:</b> Not active	0	1	0	3088		1	2 - 2	RW	No	<b>3 &amp; 6, 16</b>
<b>ID100</b>	Passcode entry	Enter password for level 2 or level 3 access	0	99999999	0	3160 ... 3161		4	1	W	No	<b>16</b>

## Troubleshooting

### Overview

Figure 17: Manual tool



Table 9: Manual tool

Used for	Description	Code number
ICM 20–32	Multi-function tool	027H0180
ICM 40-150 and ICMTS 20-80	Multi-function tool	027H0181

The ICAD actuator has a number of very useful service parameters which should always be consulted first. In addition, a manual tool should always be available to manually close the valve completely in the event the ICAD has failed. When using the manual tool, turn the tool clockwise to open the valve and counterclockwise to close the valve.

**NOTE:**

When rotating the valve manually you are changing the position of the valve to a value different than what is in the actuator’s memory. Therefore, a calibration must be performed when ICAD is remounted to the valve. If power is cut from the actuator prior to using the manual tool or after the valve has been adjusted, no problem will occur as the valve will automatically recalibrate itself once power is restored. Power can easily be disconnected and reconnected by unscrewing and then reconnecting the power cable from the ICAD actuator.

### Warnings and Alarms

Table 10: Warnings - Flashing yellow

Description	ICAD warning text	Definition of event	Comments
No Valve type selected	A1	Warning ON	At start-up A1 will be displayed
State of health - UPS	A14	Warning ON	State of health for UPS battery
Service overdue	A15	Warning ON	
Configuration mode	A16	Warning ON	
Bluetooth connection	A17	Warning ON	Bluetooth connection
High supply voltage	A18	Warning ON	Supply voltage higher then 24V DC +10%
Low supply voltage	A19	Warning ON	Supply voltage lower then 24V DC -15%

Table 11: Alarms - Flashing red

Description	ICAD alarm text	Definition of event	Comments
Controller fault	A2	Alarm ON	Internal fault inside electronics. Carry out: 1) Power OFF and Power ON If A2 still active. 2) Make a Reset to factory setting If A2 still active. Return ICAD to Danfoss
Input error	A3	Alarm ON	Not active if <b>ID2</b> = 2, or <b>ID3</b> = 4 When <b>ID3</b> = 0 and AI A > 22 mA When <b>ID3</b> = 1 and AI A > 22 mA or AI A < 2 mA When <b>ID3</b> = 2 and AI A > 12 V When <b>ID3</b> = 3 and AI A > 12 V or AI A < 1 V Modbus connection lost when <b>ID3</b> =4 (modbus input) and <b>ID155</b> =1(heart-beat enabled)
Low voltage of fail safe Supply	A4	Alarm ON	If fail safe supply < 18V and if <b>ID21</b> (UPS supply) is 1 (yes)
Check supply to ICAD	A5	Alarm ON	If supply voltage < 18 V
Calibration extended failed	A6	Alarm ON	Check valve type selected. Check presence of foreign body internally in valve
Internal temperature alarm	A7	Alarm ON	Temperature for stepper motor component too high. Ventilate/lower ambient ICAD temperature
	A8	Alarm ON	
POM mode (Preventive Operational Mode)	A9	Alarm ON	If ICAD meets too high torque from ICM valve (increased friction/sticking surfaces) ICAD automatic goes into POM mode to overcome lost step.

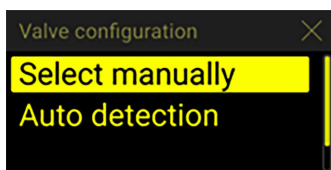
## ICM and ICMTS Motorized Valves with ICAD Actuators

Description	ICAD alarm text	Definition of event	Comments
SPI connection loss	A10	Alarm ON	
Failed update	A13	Alarm ON	Update of the software failed
Valve size detection fail	A20	Alarm ON	Active if <b>ID9</b> set to 1

For ordering manual tool please download the data sheet [Spare parts and accessories](http://www.danfoss.com) from [www.danfoss.com](http://www.danfoss.com)

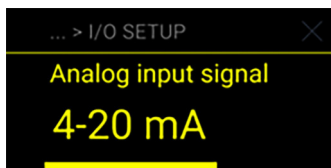
The alarms and service values work together to allow the user to quickly diagnose the source of operating issues. The most common alarms are:

**A1:** The user has not selected the valve type. Each ICAD actuator is capable of driving several different valve sizes. Upon installation of the valve, it is mandatory that the user select the valve size from parameter **ID8** or choose Automatic detection with parameter **ID9**.



**A3:** The control signal is out of the range of the selected values. The most common causes of this problem are:

1. Improper wiring
2. Incorrect selection of control signal (parameter **ID3**)



3. The source of the control signal is not outputting the correct type of signal

**A9:** The valve is locked, disconnect and remove motor. Use magnetic tool to slowly open/close the valve thru the full range. There should be at no point a sticking/tight spot. You may need to remove the valve bonnet/module to clean debris or replace the bonnet/module if it is damaged. If A9 alarm continues please contact Danfoss with application details.

Of course, there are numerous other alarm messages designed to protect the equipment and help to diagnose problems as pro-actively as possible. Most of these alarms are fairly self-explanatory.

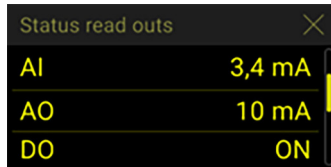
### **Troubleshooting Tips**

#### **The valve does not appear to close or stay closed completely**

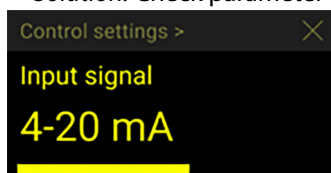
- The display shows 0% opening degree but the valve can be driven further closed with the manual tool
  - *Solution:* Recalibrate the valve. In addition, if the manual tool has been used to open or close the valve, the valve should turn very easily. If there appears to be resistance in opening or closing the valve, replace the module.
- The display shows 0% opening degree and the valve cannot be driven closed any further with the manual tool
  - *Solution:* Pull the function module and check to ensure that there are 2 o-rings on the module for ICM 25 and larger. For size ICM 20, make sure valve seat is installed

### The valve does not appear to be moving to the correct position

- Check service value **ID34**. This is the mA input from the control system. The degree of opening is linearly proportional to the mA input. (For example, if 4–20 mA was chosen as the input range and the service value shows 12 mA, the valve should be 50% open.)



- *Solution:* Check parameter **ID3** to make sure that the correct scale was selected



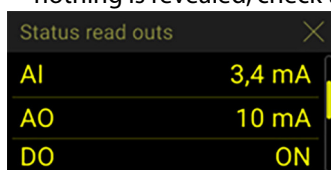
- Compare service value **ID34** to the value reported to be the output from the control system. If necessary, measure the actual current into the ICAD
  - *Solution:* If the two values do not equate, check wiring, paying special attention to wire polarity. If measured mA does not equate to the stated controllers output, the problem is likely to be in the control system. If measured mA does not equate to the value seen in **ID34** and everything is wired properly, the problem is likely with the ICAD actuator
- The ICAD was not mounted properly on the valve stem
  - *Solution:* Check to make sure that the ICAD set screws are evenly torqued around the base of the ICAD

### The valve does not appear to be opening fast enough or seems too fast

- The speed of the ICM valves are preset at the factory:
  - For ICM valves 20, 25, and 32, the preset speed is 100%
  - For ICM valves 40, 50, 65, 100, 125, and 150, the preset speed is 50%
- *Solution:* Check parameter **ID5**, **ID75**, **ID6**, **ID76** and **ID7** to note the actual setting and adjust accordingly

### The valve position feedback signal is not working with the customer supplied controller/PLC

- A power supply was installed in the 4–20 mA/0–20 mA feedback loop. The ICAD motor actuator supplies power for the 4–20 mA/0–20 mA feedback loop
  - *Solution:* Remove any power source that may be supplied to the feedback loop
- Wiring problem
  - *Solution:* Check the service value of **ID36** (the analog output signal) to see what the ICAD is outputting. If nothing is revealed, check the output wire (blue) with an ammeter to verify the actual output value.



- The feedback output signal was not turned on in parameter **ID18**





- *Solution:* Change this parameter to the appropriate signal

## Frequently Asked Questions

### What happens in the event of a power failure?

The ICAD actuator will remain in the position it is in when power is lost. There are two approaches to solving the issue:

- Add a UPS (Uninterruptible Power Supply) device to the power wiring. This is easily accomplished with the brown (-) and black (+) wires in the power cable bundle. A UPS device is available from Danfoss and can provide up to 10 amps of power for up to 90 seconds in order to move the valve to the desired position. Because of the high amperage, the UPS is capable of providing power to several ICAD actuators depending on the size of the actuator.

**NOTE:**

The UPS is not a continuous power supply. It is only meant to change the valve position once in the event of a power failure.

- Add a solenoid valve in front of the ICM in order to stop refrigerant flow. This is a simple solution provided that there is no issue associated with the additional pressure drop through the solenoid valve

### How much power do I need to supply to the ICAD?

The total power required depends on the ICAD size and the number of ICAD's powered by the dc power supply. The power for each ICAD is:

- ICAD 600B / 600B-TS (ICM 20, 25, and 32) and ICAD 600B-TS (ICMTS 20, 50, and 80), the requirement per valve is approximately 30 watts
- ICAD 1200B (ICM 40, 50, 65, 100, 125, and 150) the requirement per valve is approximately 50 watts

### How can I monitor the valve position remotely?

The control wiring bundle provides for a 4 – 20 mA or 0 – 20 mA signal output with the blue (+) and orange (-) wires. The signal can be sent to:

- A remote display
- A PLC or PC
- Another ICAD actuator to provide the same input signal (daisy chain)

### At what minimum OD%/mA will the ICAD automatically close and calibrate?

The ICAD will automatically close or be closed when the opening degree is below 3% which corresponds to 4.48 mA. After it is closed it will give a few extra steps to calibrate the valve.

### If the 4–20 mA signal is lost while the valve is open, will the ICAD close the valve?

Yes, if the input signal is lost while the valve is open, the ICAD will close the valve and it will be flashing red (AI input error). Please see Table 10: Alarms - Flashing red.

### How many turns/revolutions with the manual tool will fully open/close ICM valve?

- ICM 20: 1.25 turns
- ICM 25: 2.5 turns
- ICM 32: 3 turns

- ICM 40: 4 turns
- ICM 50: 5 turns
- ICM 65: 5 turns
- ICM 100: 12.75 turns
- ICM 125: 15.25 turns
- ICM 150: 18.25 turns
- ICMTS 20: 1.25 turns
- ICMTS 50/80: 3 turns

### Does the ICAD make a high frequency noise?

Yes, when the ICAD is at standstill, it will generate a high frequency noise which is normal

### What size wire gauge is recommended to run to the ICADs?

The typical wire gauge is 22 AWG. For power wiring, the recommended maximum lengths (for 22 AWG) are:

- ICAD 600B / 600B-TS - 27 m (90 feet)
- ICAD 1200B - 15 m ( 50 feet)

Heavier wire gauge will allow for longer lengths of power wiring. For example with 17 AWG, maximum lengths are:

- ICAD 600B / 600B-TS - 86 m (285 feet)
- ICAD 1200B - 51 m (170 feet)

Control wire lengths can be as long as 457 m (1500 feet)

### When running wire to the ICADs, does the wire need to be shielded?

There is no need for shielded cable; however, if used, the EMC capabilities of the ICAD will be improved.

## Online support

Danfoss offers a wide range of support along with our products, including digital product information, software, mobile apps, and expert guidance. See the possibilities below.

### The Danfoss Product Store



The Danfoss Product Store is your one-stop shop for everything product related—no matter where you are in the world or what area of the cooling industry you work in. Get quick access to essential information like product specs, code numbers, technical documentation, certifications, accessories, and more.

Start browsing at [store.danfoss.com](https://store.danfoss.com).

### Find technical documentation



Find the technical documentation you need to get your project up and running. Get direct access to our official collection of data sheets, certificates and declarations, manuals and guides, 3D models and drawings, case stories, brochures, and much more.

Start searching now at [www.danfoss.com/en/service-and-support/documentation](https://www.danfoss.com/en/service-and-support/documentation).

### Danfoss Learning



Danfoss Learning is a free online learning platform. It features courses and materials specifically designed to help engineers, installers, service technicians, and wholesalers better understand the products, applications, industry topics, and trends that will help you do your job better.

Create your Danfoss Learning account for free at [www.danfoss.com/en/service-and-support/learning](https://www.danfoss.com/en/service-and-support/learning).

### Get local information and support



Local Danfoss websites are the main sources for help and information about our company and products. Find product availability, get the latest regional news, or connect with a nearby expert—all in your own language.

Find your local Danfoss website here: [www.danfoss.com/en/choose-region](https://www.danfoss.com/en/choose-region).

### Spare Parts



Get access to the Danfoss spare parts and service kit catalog right from your smartphone. The app contains a wide range of components for air conditioning and refrigeration applications, such as valves, strainers, pressure switches, and sensors.

Download the Spare Parts app for free at [www.danfoss.com/en/service-and-support/downloads](https://www.danfoss.com/en/service-and-support/downloads).

### Coolselector®2 - find the best components for you HVAC/R system



Coolselector®2 makes it easy for engineers, consultants, and designers to find and order the best components for refrigeration and air conditioning systems. Run calculations based on your operating conditions and then choose the best setup for your system design.

Download Coolselector®2 for free at [coolselector.danfoss.com](https://coolselector.danfoss.com).

### Danfoss A/S

Climate Solutions • [danfoss.com](https://danfoss.com) • +45 7488 2222

Any information, including, but not limited to information on selection of product, its application or use, product design, weight, dimensions, capacity or any other technical data in product manuals, catalogues descriptions, advertisements, etc. and whether made available in writing, orally, electronically, online or via download, shall be considered informative, and is only binding if and to the extent, explicit reference is made in a quotation or order confirmation. Danfoss cannot accept any responsibility for possible errors in catalogues, brochures, videos and other material. Danfoss reserves the right to alter its products without notice. This also applies to products ordered but not delivered provided that such alterations can be made without changes to form, fit or function of the product.

All trademarks in this material are property of Danfoss A/S or Danfoss group companies. Danfoss and the Danfoss logo are trademarks of Danfoss A/S. All rights reserved.