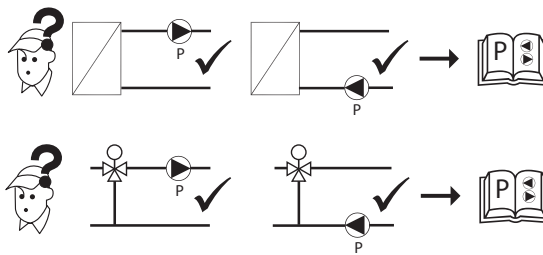
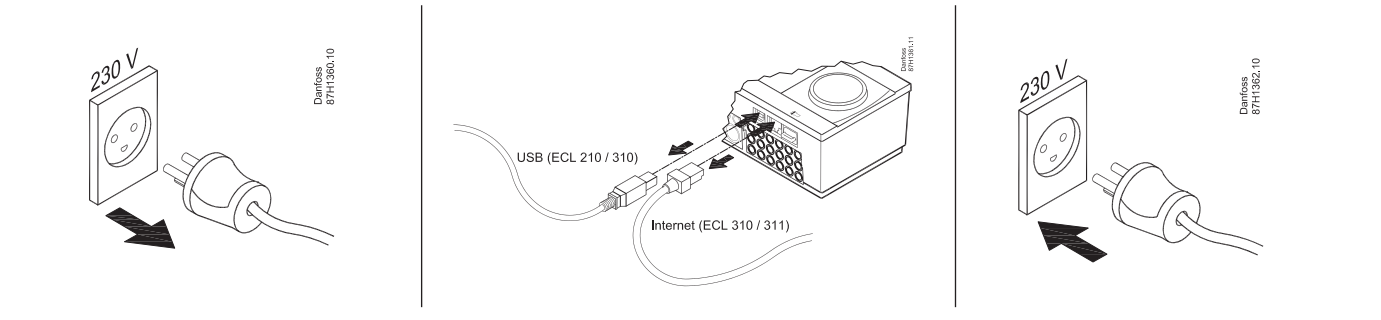
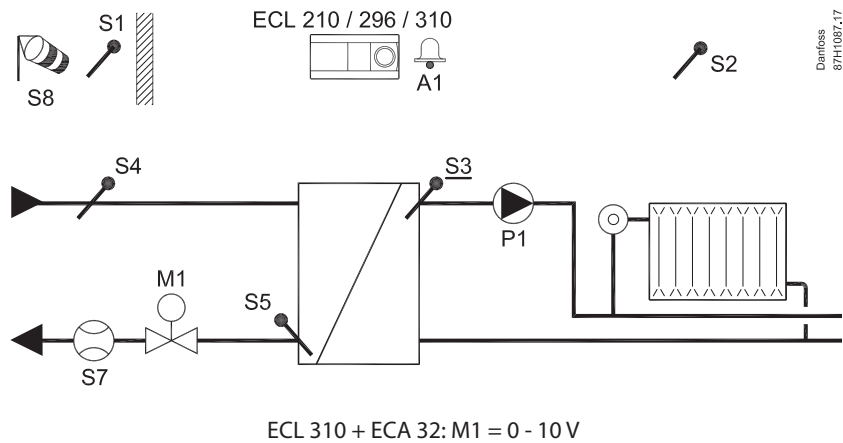


Installation Guide

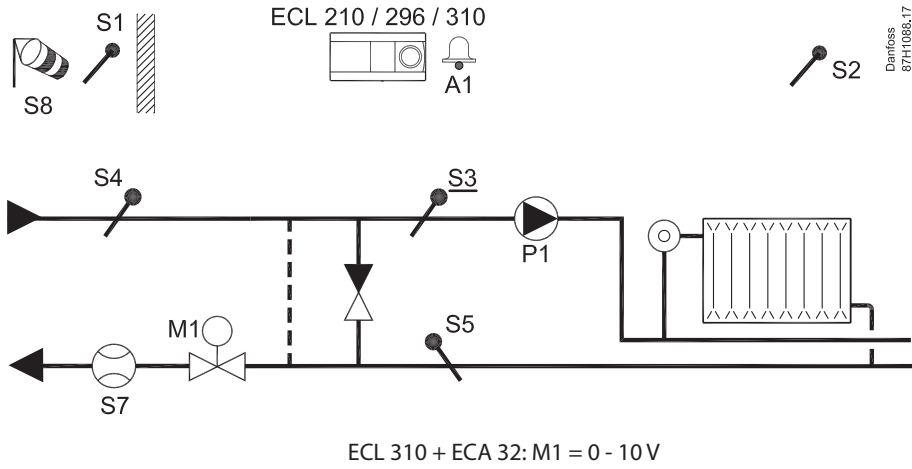
# ECL Comfort 210 / 296 / 310, A230 (code no. 087H3802) (A230.1, A230.2, A230.3, A230.4, A230.5)



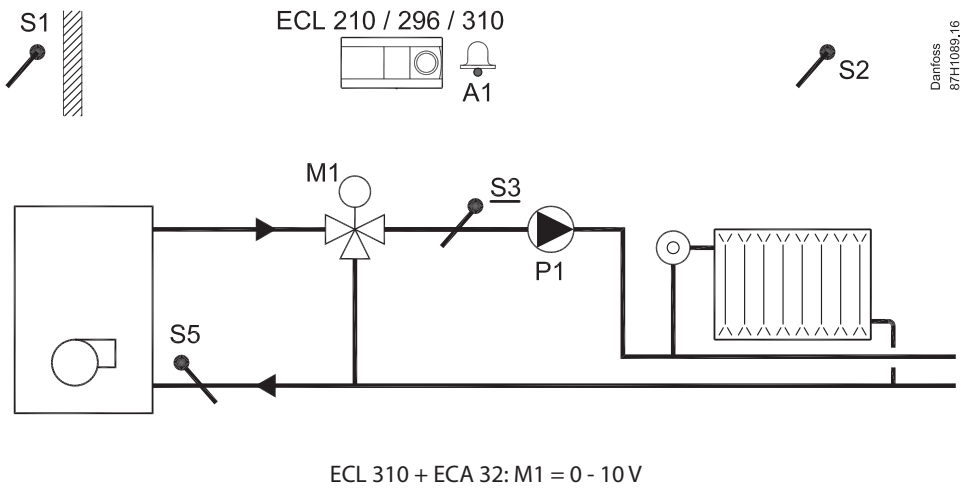
A230.1 ex. a



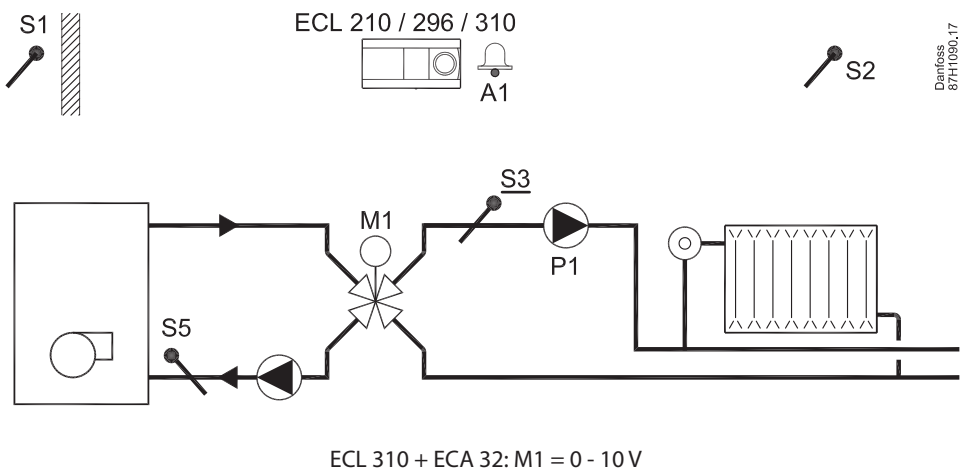
A230.1 ex. b:



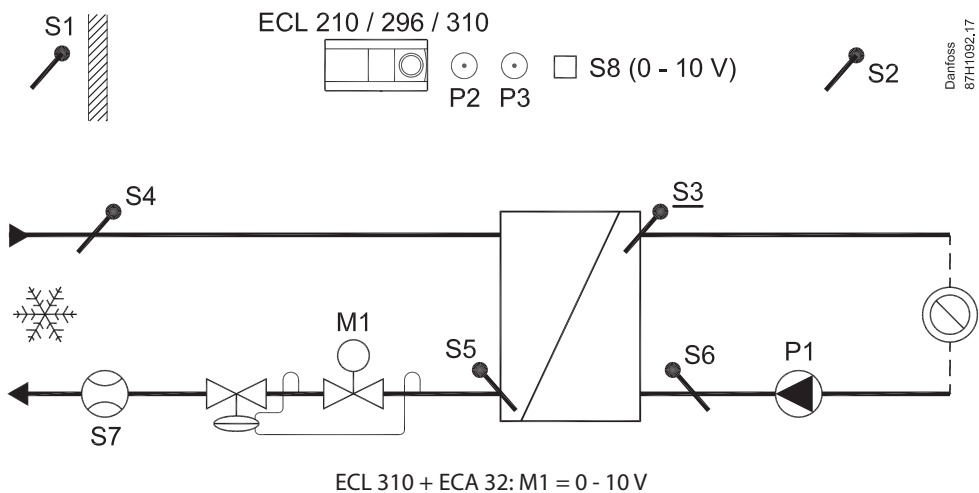
A230.1 ex. c:



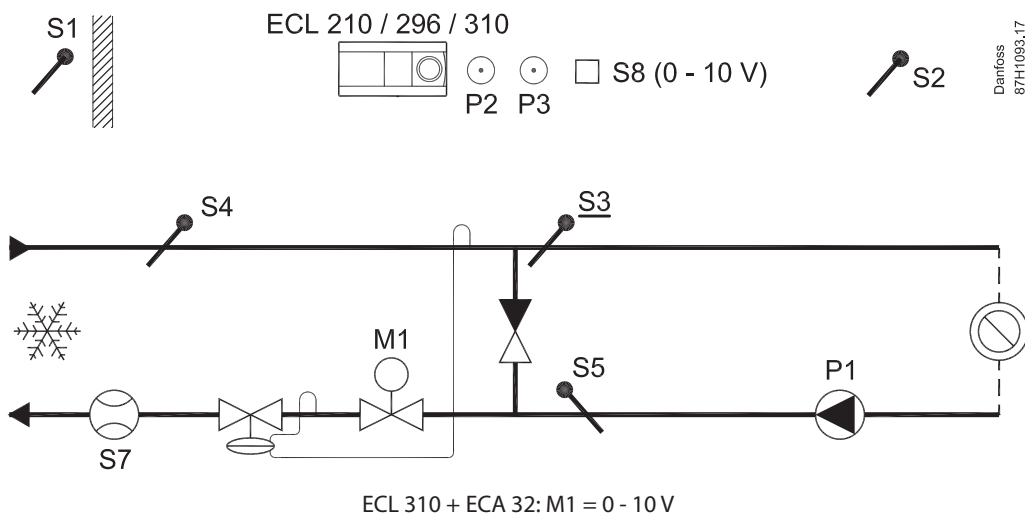
A230.1 ex. d:



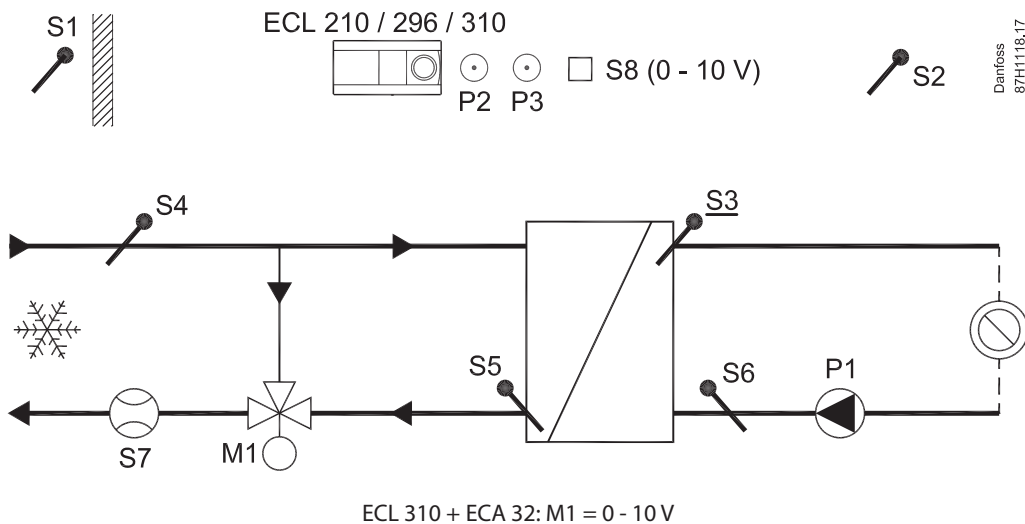
A230.2 ex. a:



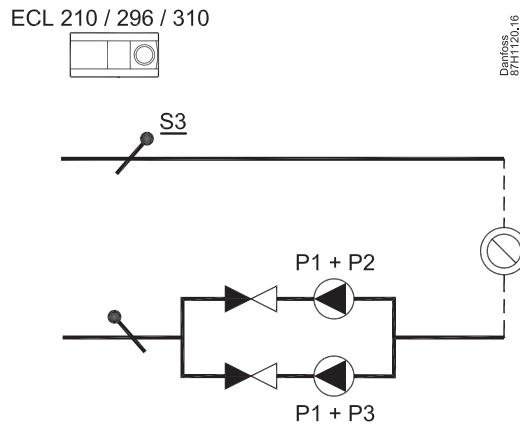
A230.2 ex. b:



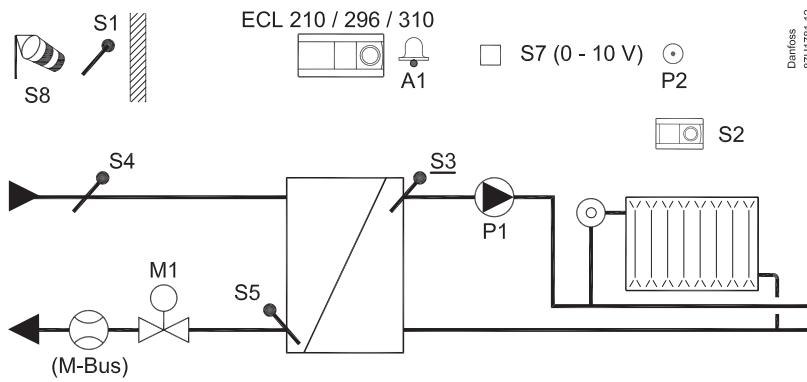
A230.2 ex. c:



A230.2 ex. d:

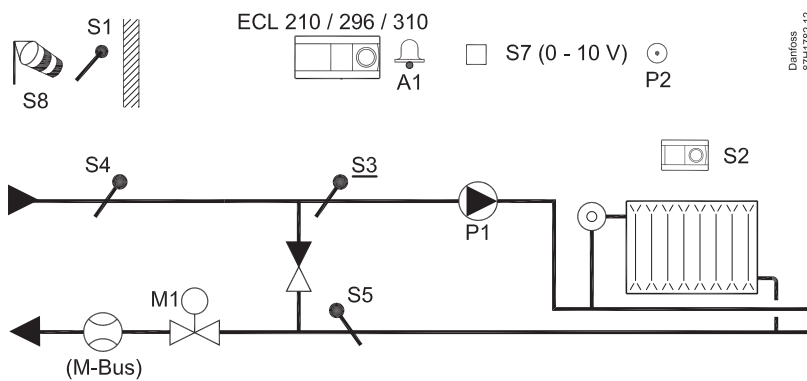


A230.3, ex. a



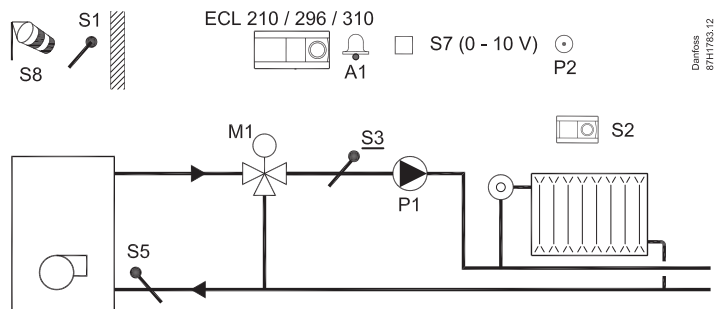
ECL 310 + ECA 32: M1 = 0 - 10 V

A230.3, ex. b



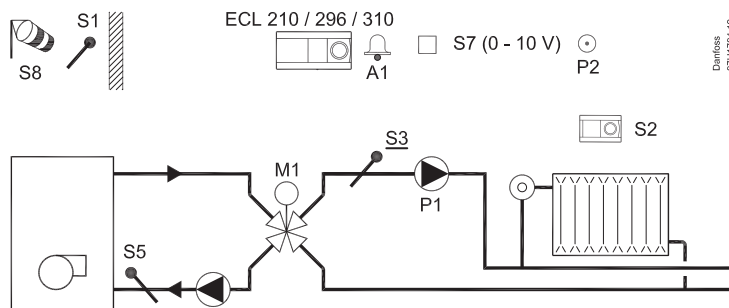
ECL 310 + ECA 32: M1 = 0 - 10 V

A230.3, ex. c



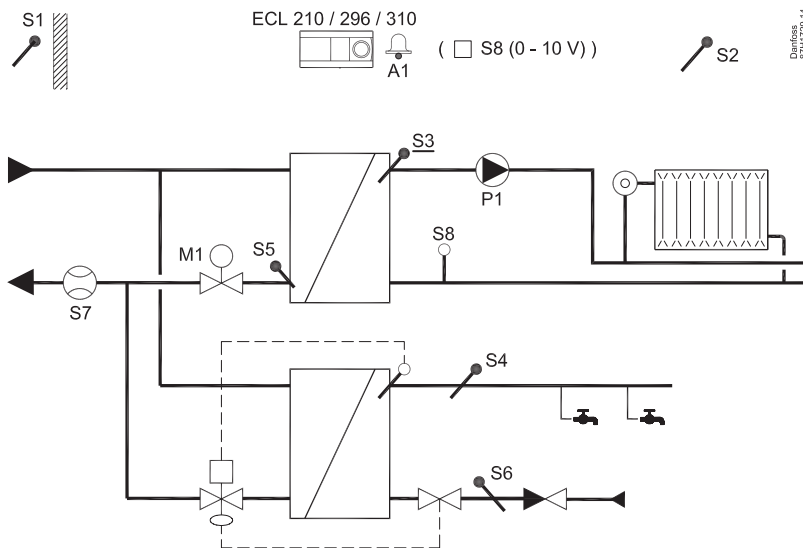
ECL 310 + ECA 32: M1 = 0 - 10 V

A230.3, ex. d



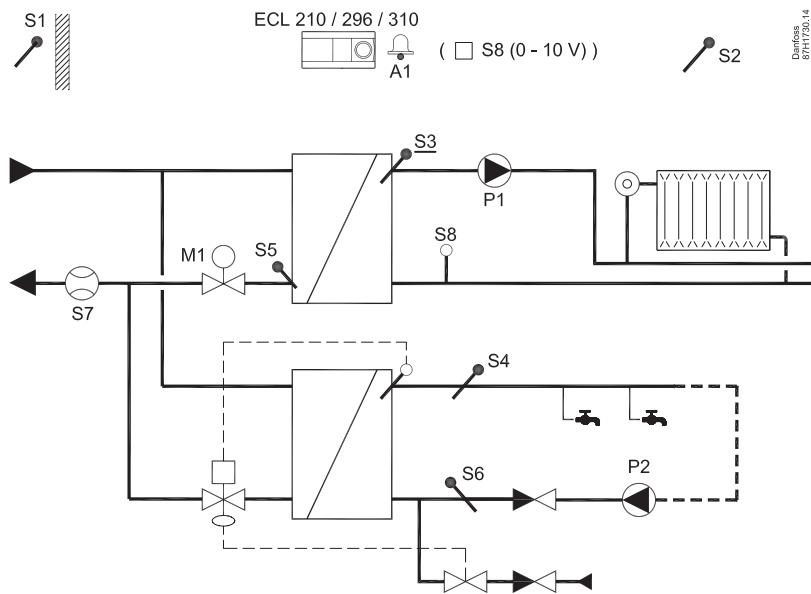
ECL 310 + ECA 32: M1 = 0 - 10 V

A230.4, ex. a



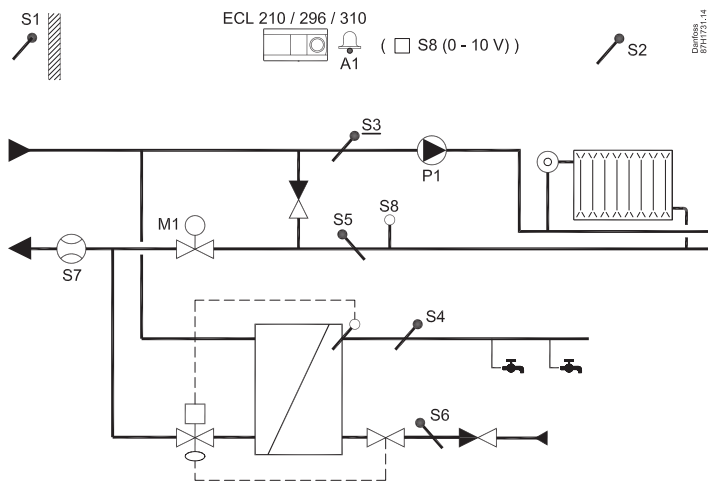
ECL 310 + ECA 32: M1 = 0 - 10 V

A230.4, ex. b



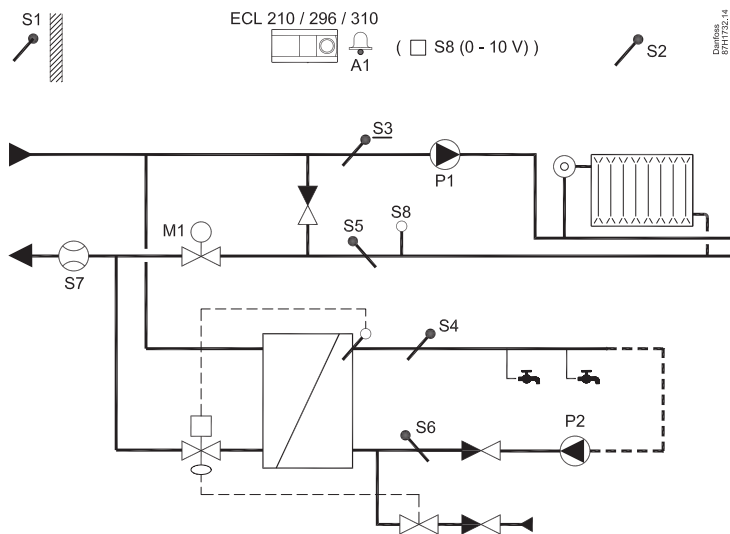
ECL 310 + ECA 32: M1 = 0 - 10 V

A230.4, ex. c



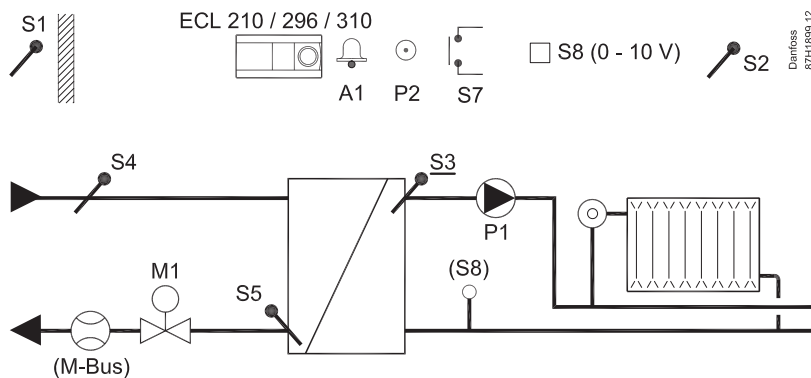
ECL 310 + ECA 32: M1 = 0 - 10 V

**A230.4, ex. d**



ECL 310 + ECA 32: M1 = 0 - 10 V

**A230.5, ex. a**



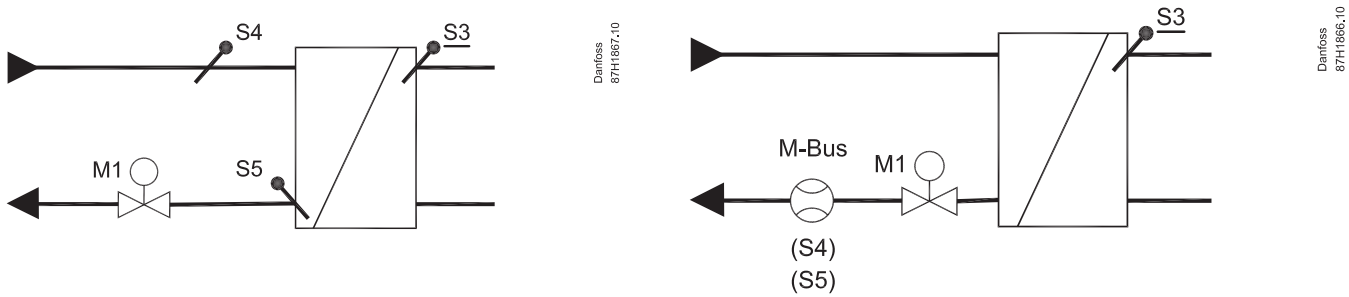
ECL 310 + ECA 32: M1 = 0 - 10 V

# Installation Guide, ECL Comfort 210 / 296 / 310, A230

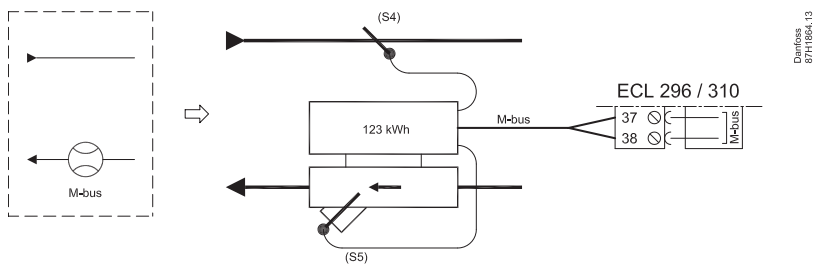
## A230.1, A230.3, A230.5 S4, S5



**A:**



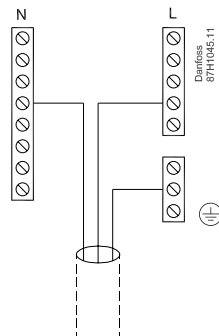
**B:**



## ECL Comfort 210 / 296 / 310: 230 V a.c.

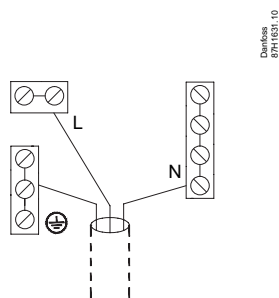
R		4 (2) A / 230 V a.c.
R		
Tr		0,2 A / 230 V a.c.

## ECL 210 / 310:



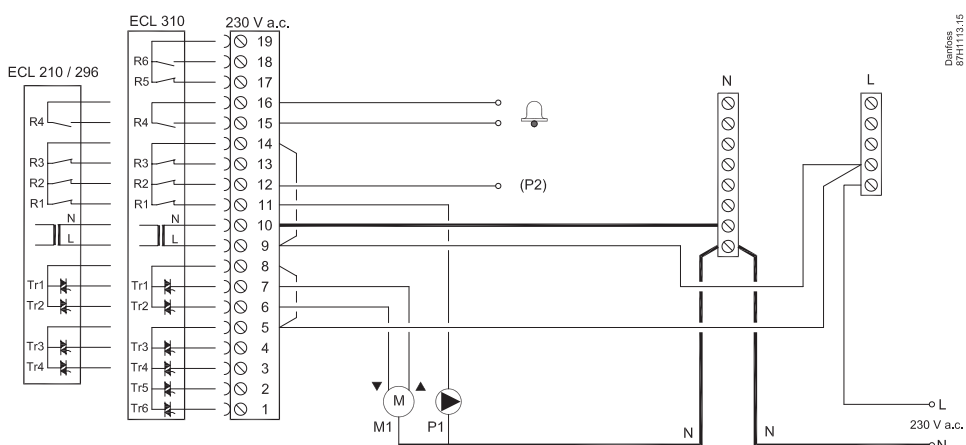


**ECL 296:**



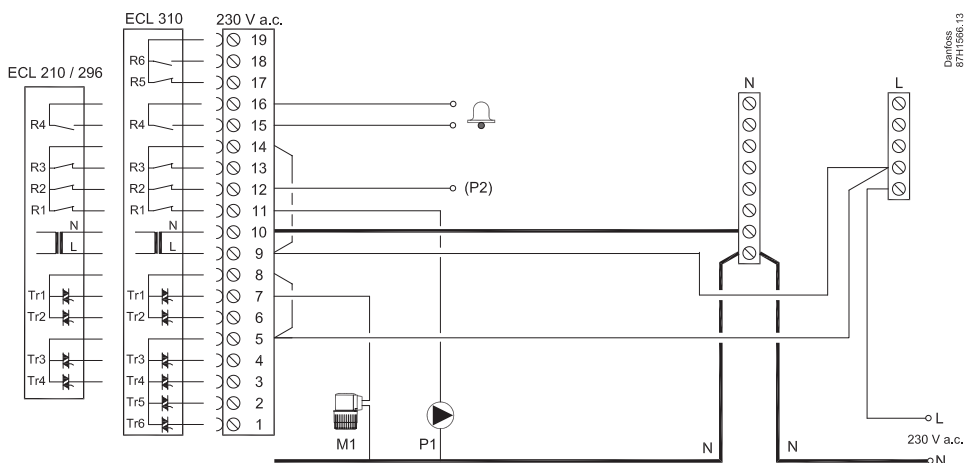
	R1	R2	R3	R4
<b>A230.1</b>	P1	(P2)		A1 (🔔)
<b>A230.2</b>	P1	(P2)	(P3)	
<b>A230.3</b>	P1	(P2)		A1 (🔔)
<b>A230.4</b>	P1	(P2)		A1 (🔔)
<b>A230.5</b>	P1	(P2)		A1 (🔔)

**230 V a.c.**

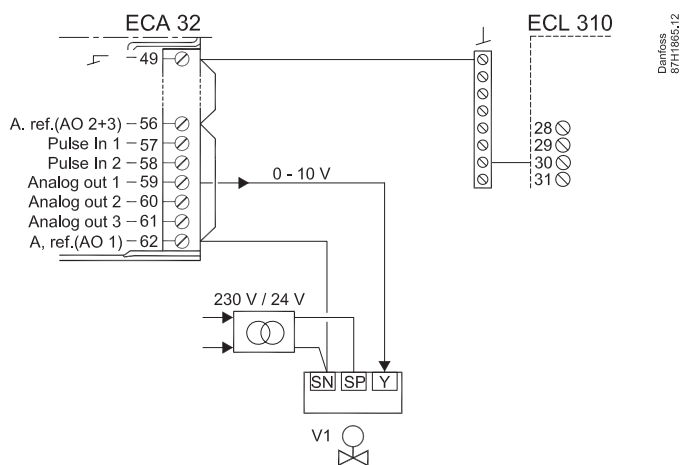


**230 V a.c.**

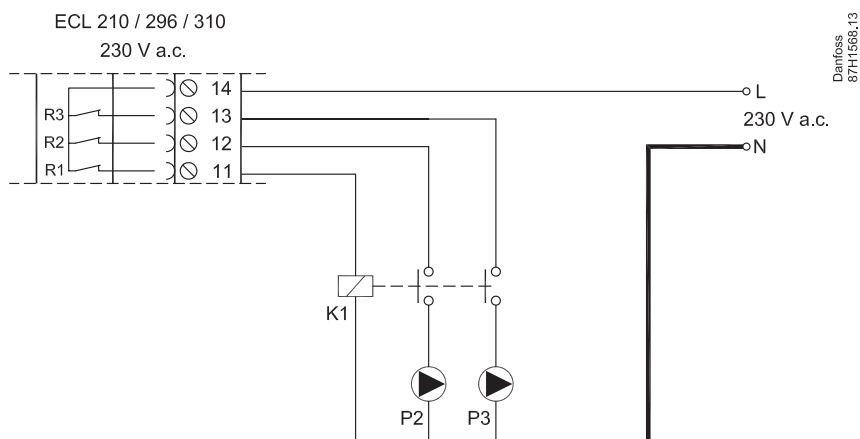
**(Danfoss thermo-actuator ABV)**



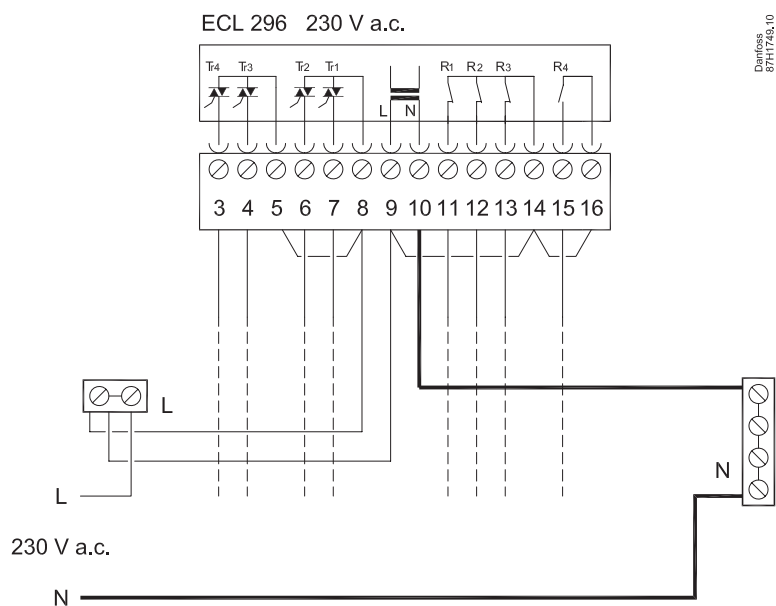
**ECL 310 + ECA 32**  
**M1 = V1 (0 - 10 V)**



**A230.2, P2 + P3**



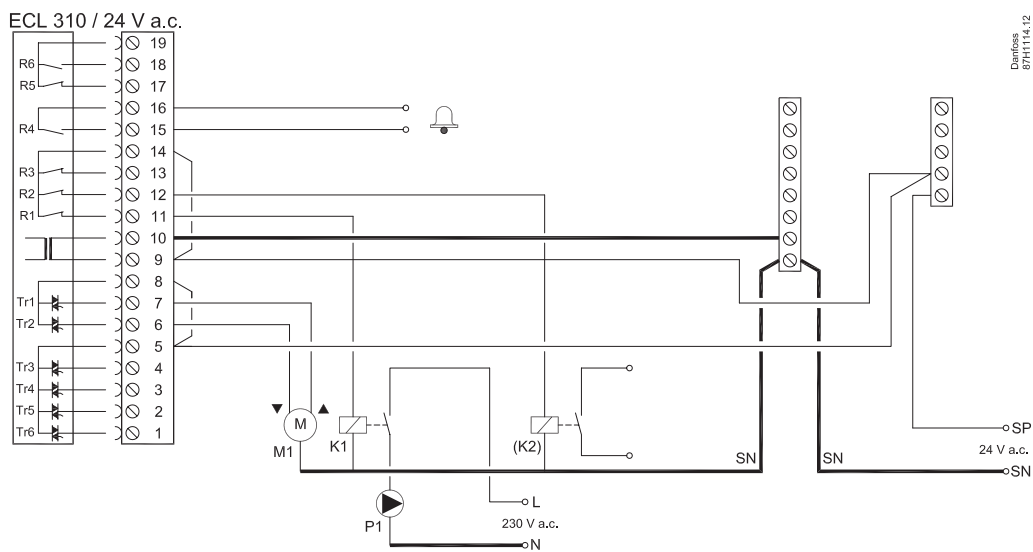
**ECL Comfort 296:  
230 V a.c.**



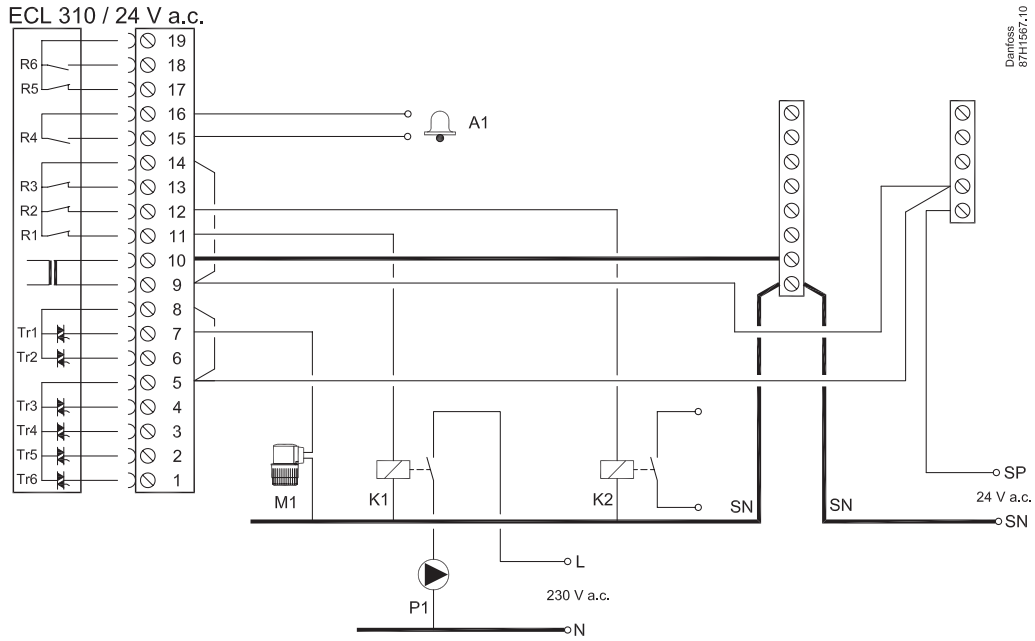
**ECL Comfort 310:  
24 V a.c.**

R	4 (2) A / 24 V a.c.
Tr	1 A / 24 V a.c.

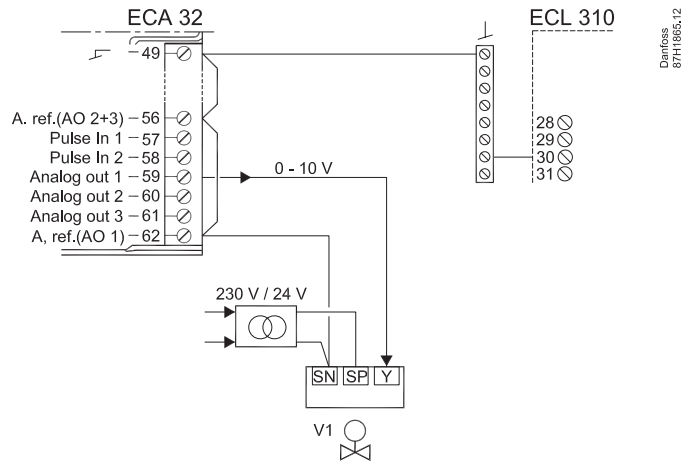
**24 V a.c.**



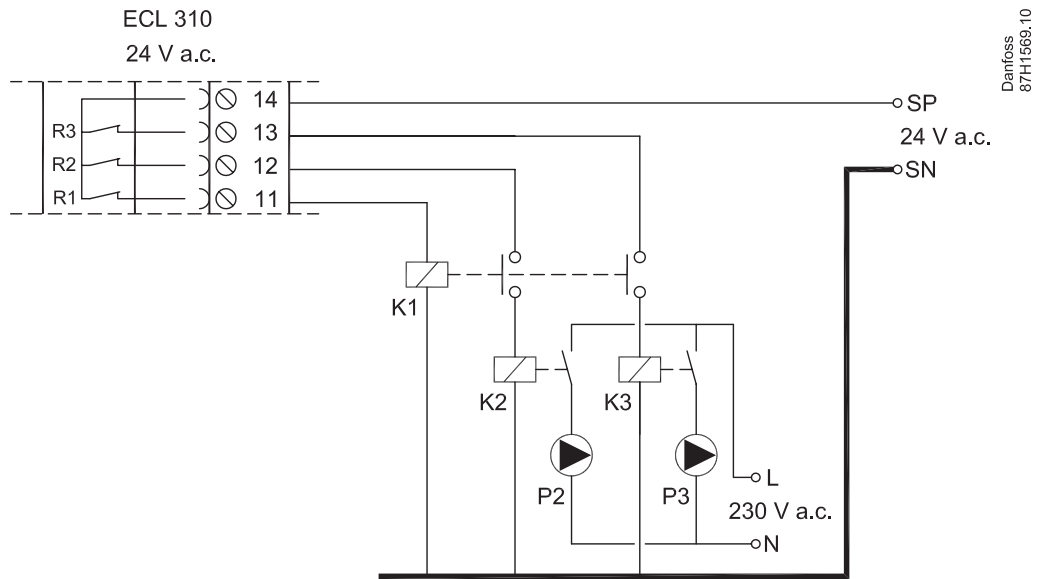
**24 V a.c.**  
**(Danfoss thermo-actuator ABV)**



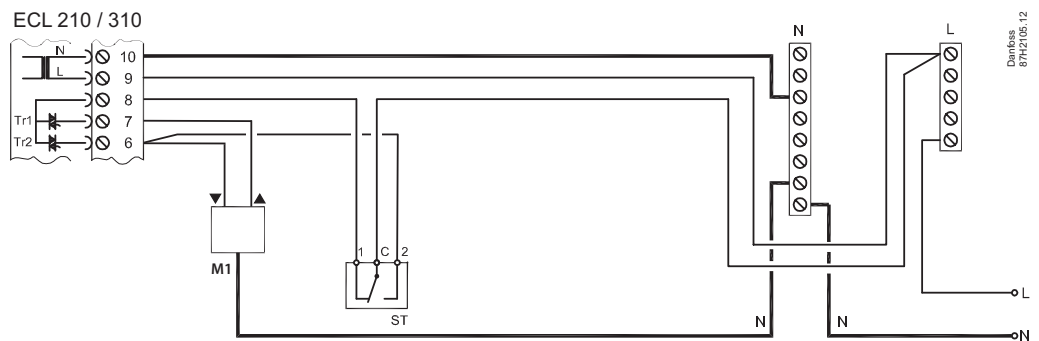
**ECL 310 + ECA 32**  
**M1 = V1 (0 - 10 V)**



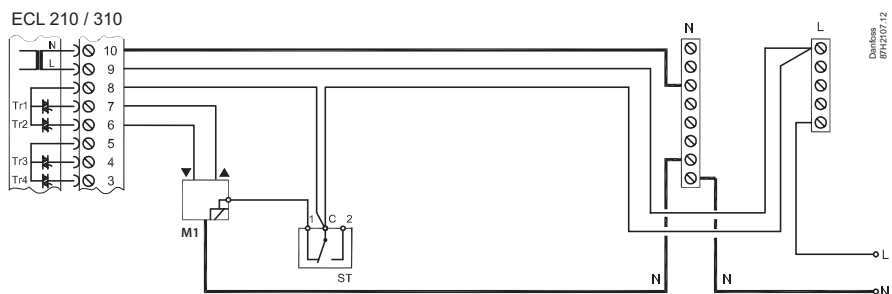
**A230.2, P2 + P3**



**230 V a.c. / 24 V a.c. , safety thermostat  
1-step closing**

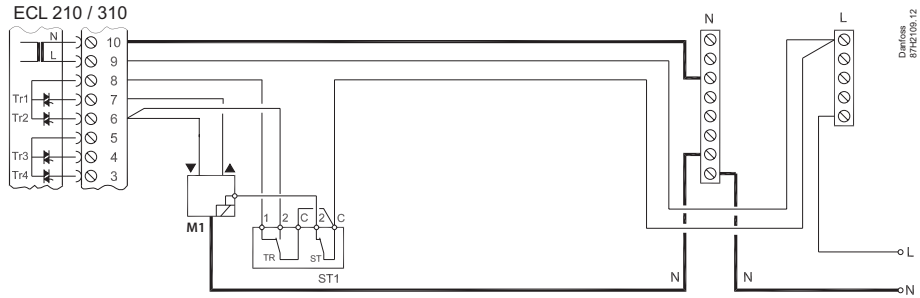


**230 V a.c. / 24 V a.c. , safety thermostat  
1-step closing**



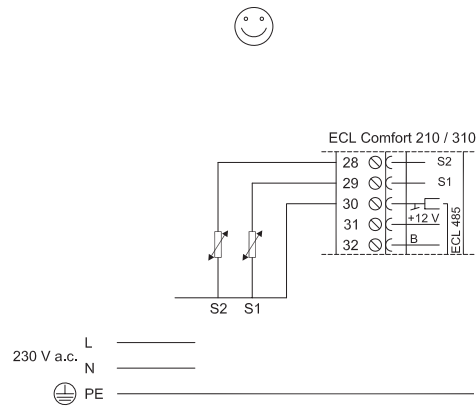
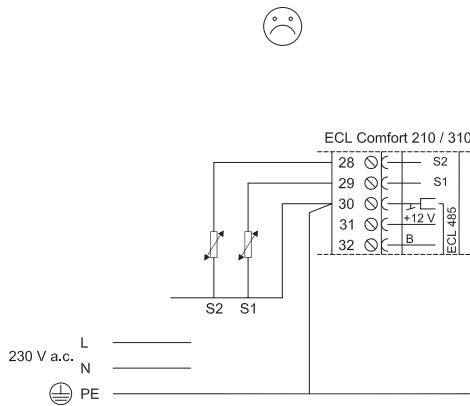
# Installation Guide, ECL Comfort 210 / 296 / 310, A230

## 230 V a.c. / 24 V a.c. , safety thermostat 2-step closing



Danfoss  
87H1457.12

## Pt 1000 (1000 Ω / 0 °C)



Danfoss  
87H1457.11

## Pt 1000 (1000 Ω / 0 °C) ECL 210 / 296 / 310

	S1	S2	S3	S4	S5	S6	S7	S8
A230.1	x	x	x	x	x			
A230.2	x	x	x	x	x	x		
A230.3	x	(x)	x	x	x			
A230.4	x	x	x	x	x	x		
A230.5	x	x	x	x	x			

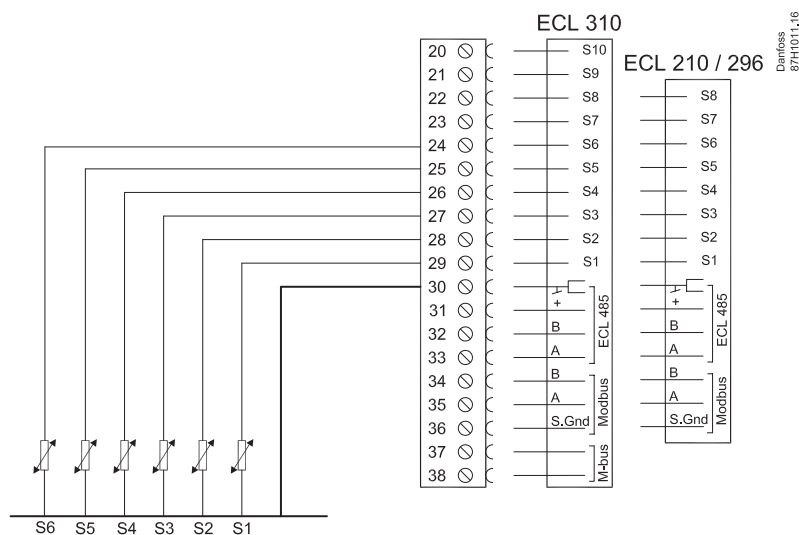
## Pulse

	S7
A230.1	x
A230.2	x
A230.3	
A230.4	x
A230.5	

0 - 10 V

	S7	S8
A230.1		0 - 10 V ⇒
A230.2		0 - 10 V ⇒
A230.3	0 - 10 V ⇒ % RH	0 - 10 V ⇒
A230.4		/ 0 - 10 V ⇒
A230.5		/ 0 - 10 V ⇒

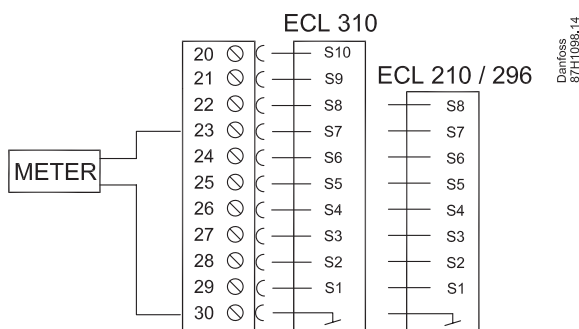
A230



A230.1, A230.2, A230.4



S7



A230.1, A230.2, A230.4

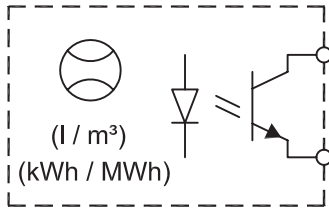


S7



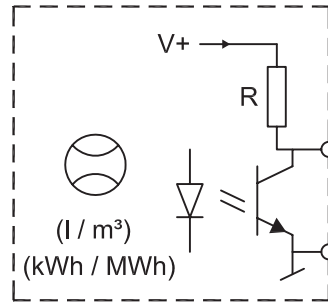
A / B ?

A:



Danfoss  
87H1457.10

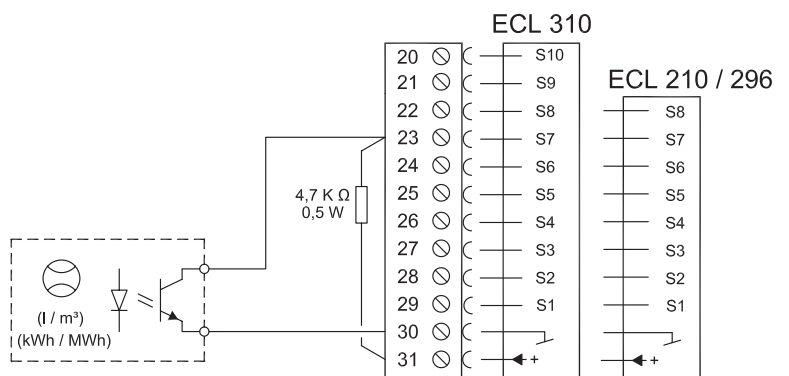
B:



Danfoss  
87H1458.10

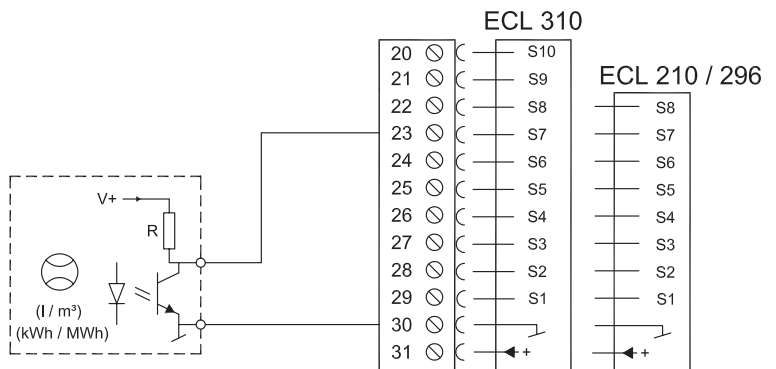


A:



Danfoss  
87H1459.13

B:

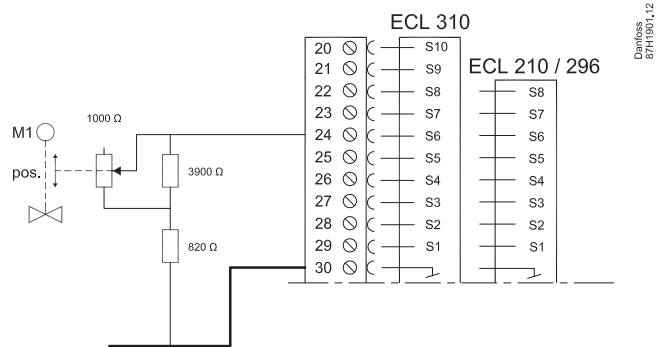


Danfoss  
87H1460.13



**A230.5**

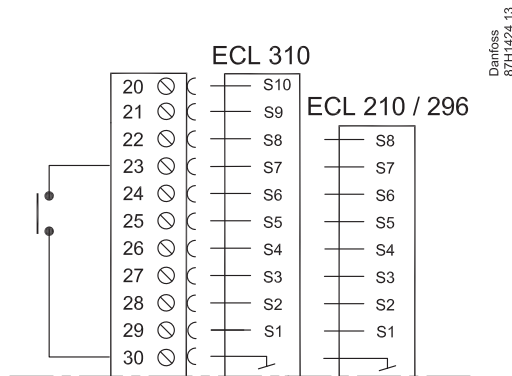
**S6**



**A230.5**



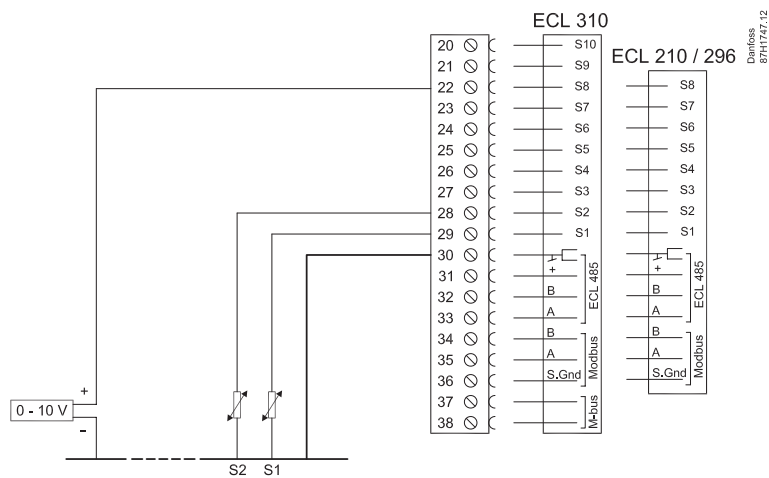
**S7**



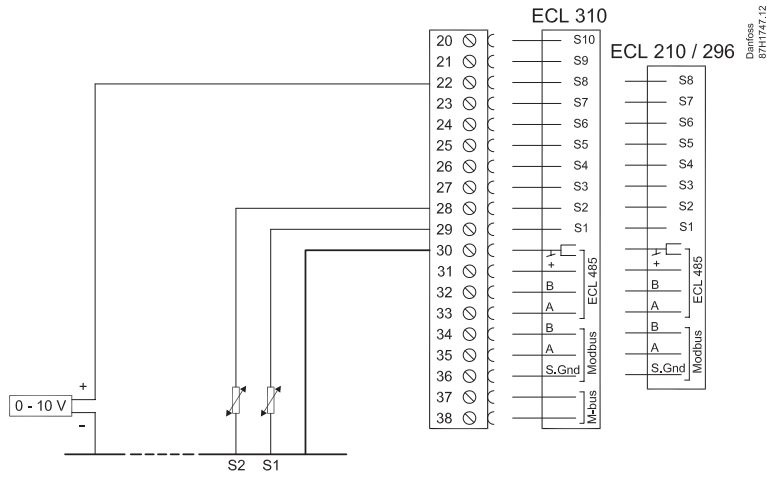
**A230.1, A230.3**



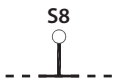
**S8**



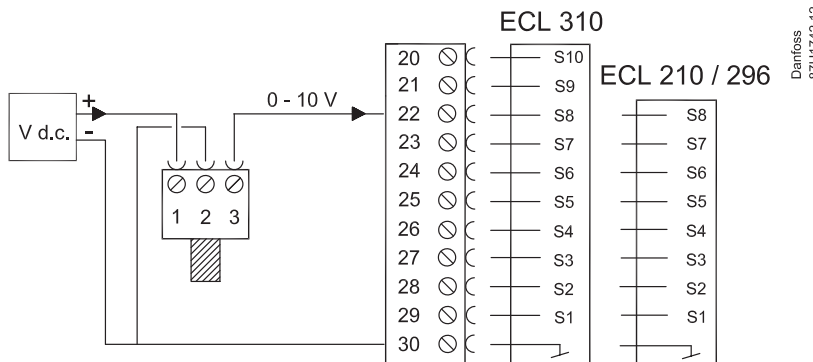
**A230.2**  
**0 - 10 V**



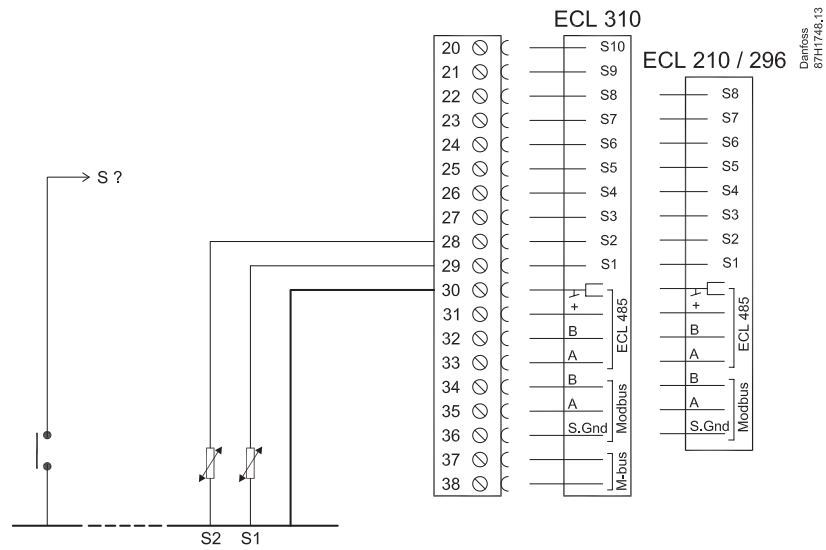
**A230.4, A230.5**



S8

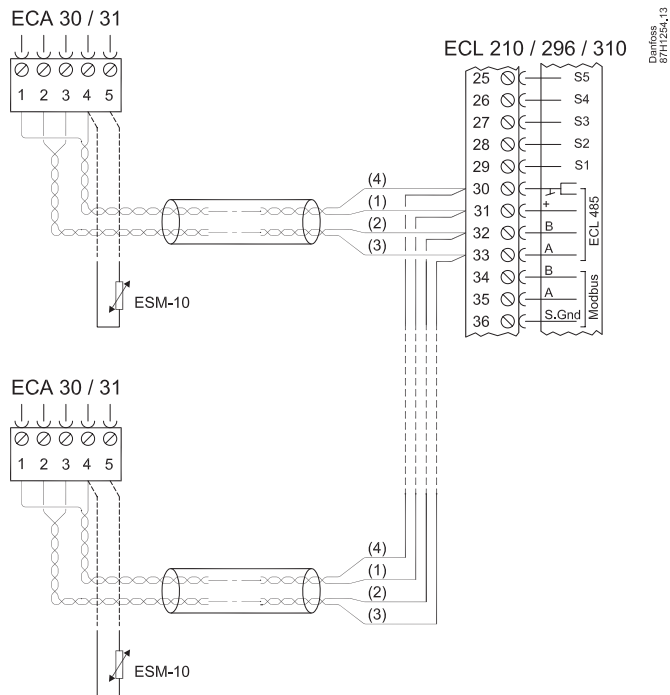


**A230.1, A230.2, A230.3, A230.4, A230.5**

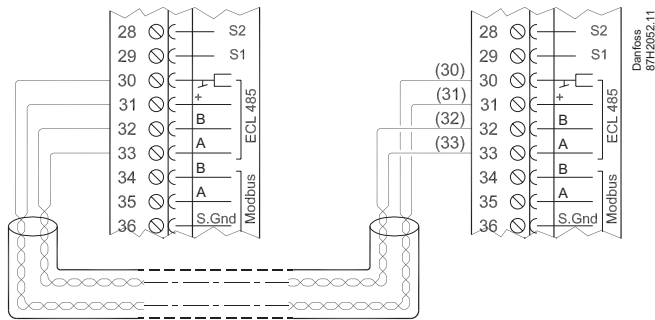


- ? ECL 210 / 296: S7 - S8
- ECL 310: S7 - S10
- ECL 310 + ECA 32: S7 - S16

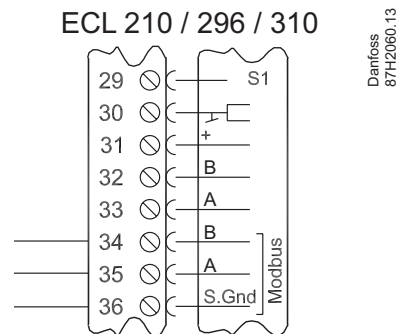
**ECA 30 / 31**



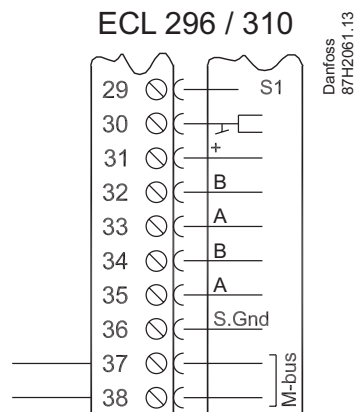
**Master / slave**



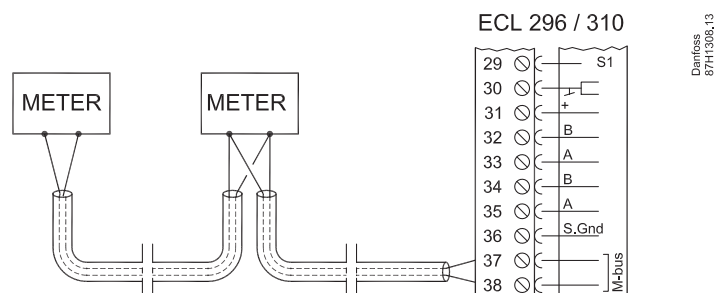
**Modbus**



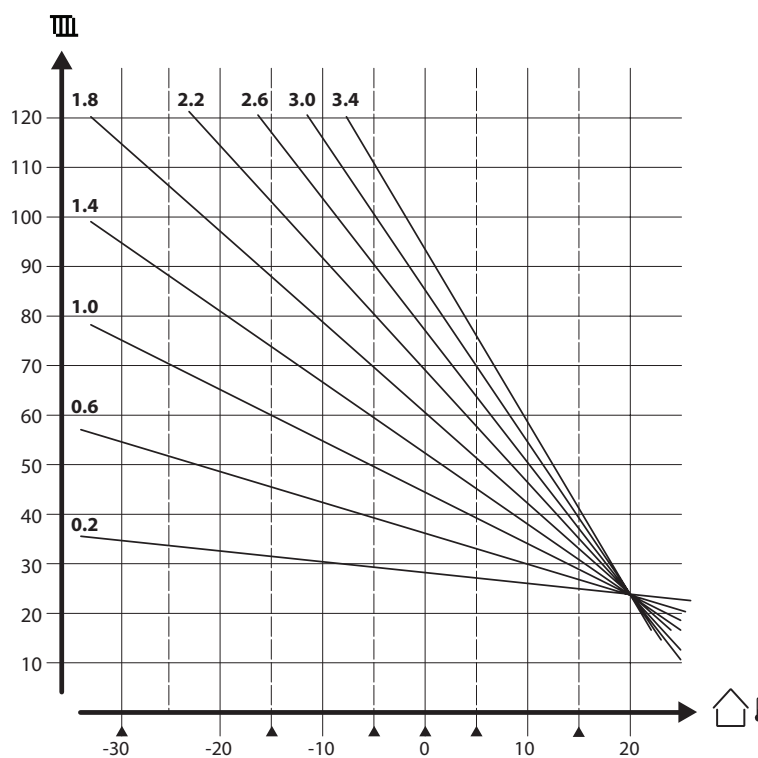
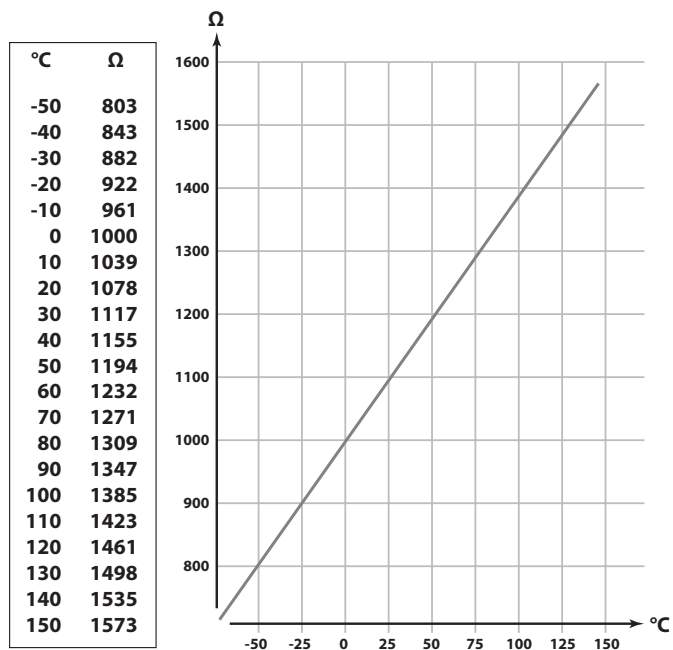
**M-bus**



**M-bus**

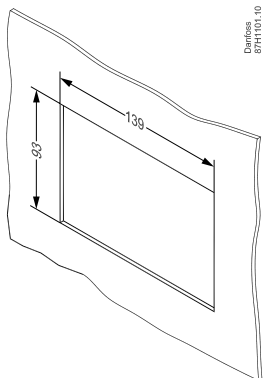


Pt 1000 (IEC 751B, 1000 Ω / 0 °C)

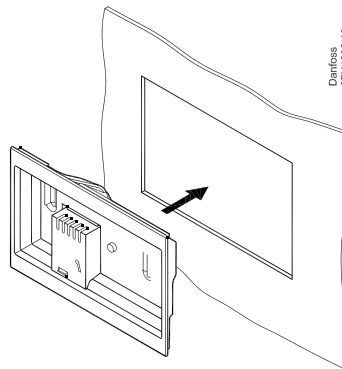


ECA 30

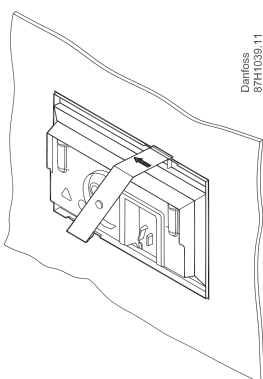
1



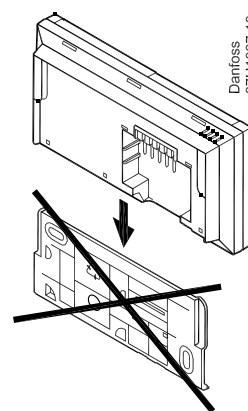
2



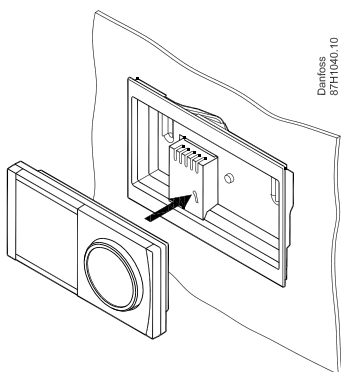
3



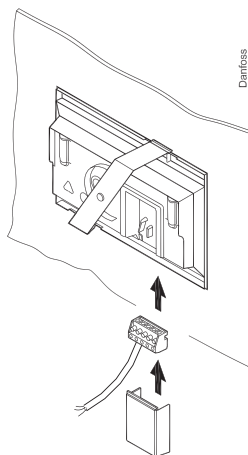
4



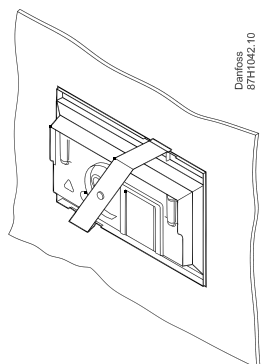
5



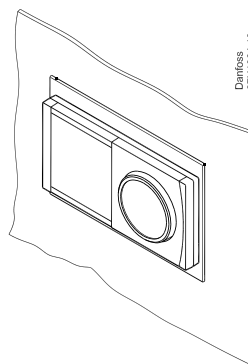
6



7

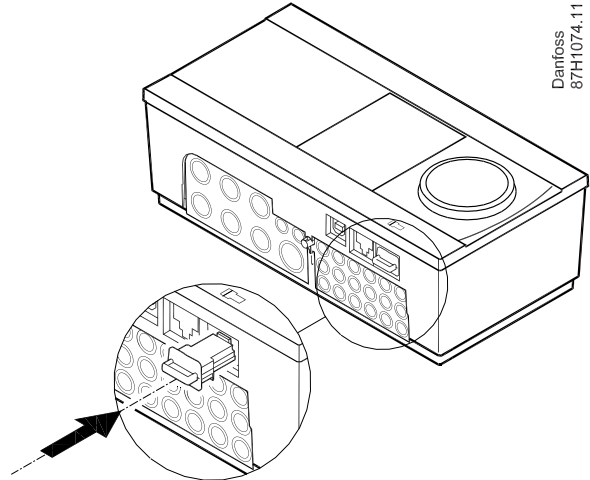
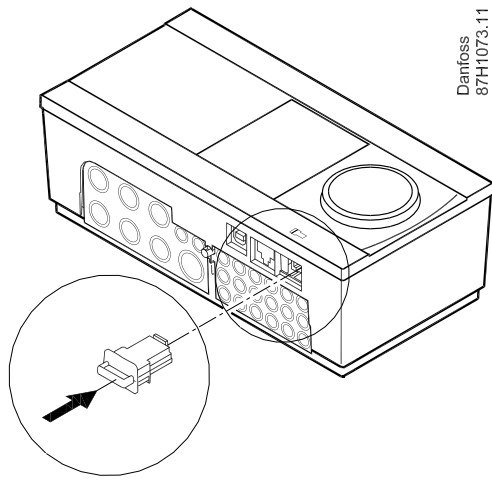
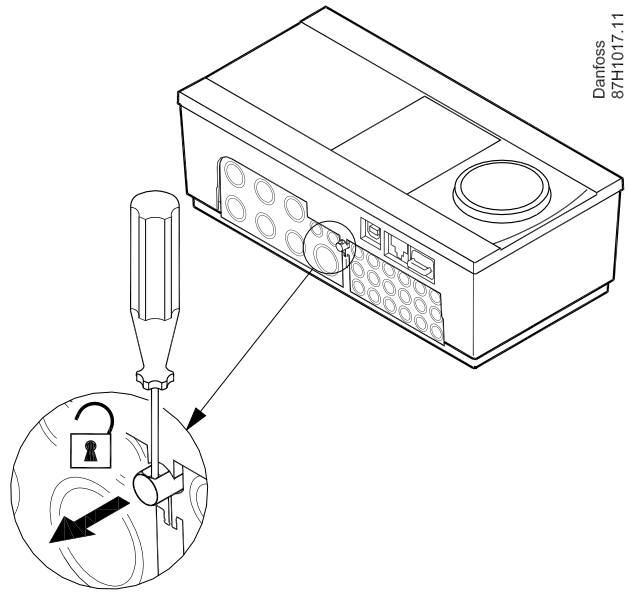
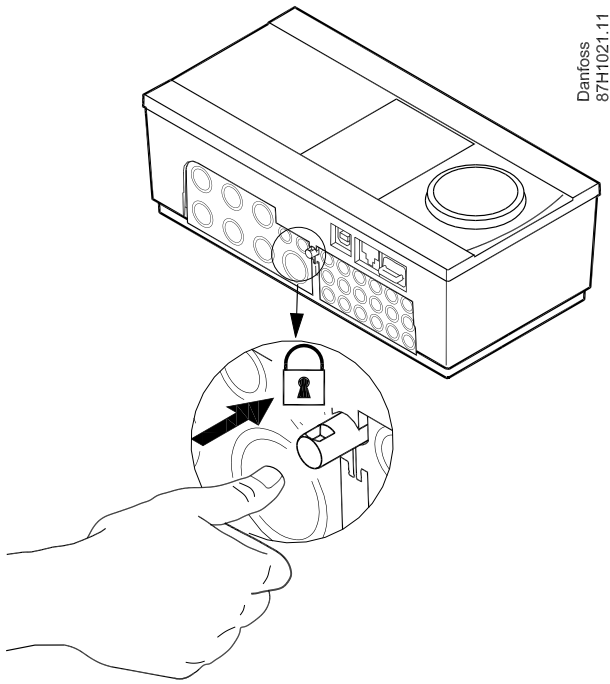


8





Installation Guide, ECL Comfort 210 / 296 / 310, A230



? **ECL Comfort 210 / 296 / 310, A230: [www.danfoss.com](http://www.danfoss.com) or [store.danfoss.com](http://store.danfoss.com)**

? **<https://www.youtube.com/user/DanfossHeating>  
-> Playlists -> How-to Videos -> District Energy installation videos**



**Danfoss A/S**  
Climate Solutions • [danfoss.com](http://danfoss.com) • +45 7488 2222



Any information, including, but not limited to information on selection of product, its application or use, product design, weight, dimensions, capacity or any other technical data in product manuals, catalogues descriptions, advertisements, etc. and whether made available in writing, orally, electronically, online or via download, shall be considered informative, and is only binding if and to the extent, explicit reference is made in a quotation or order confirmation. Danfoss cannot accept any responsibility for possible errors in catalogues, brochures, videos and other material. Danfoss reserves the right to alter its products without notice. This also applies to products ordered but not delivered provided that such alterations can be made without changes to form, fit or function of the product.  
All trademarks in this material are property of Danfoss A/S or Danfoss group companies. Danfoss and the Danfoss logo are trademarks of Danfoss A/S. All rights reserved.