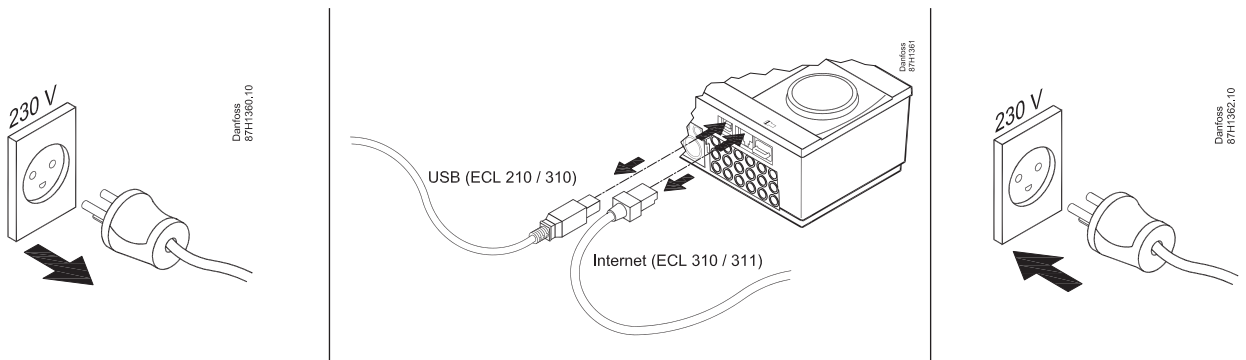
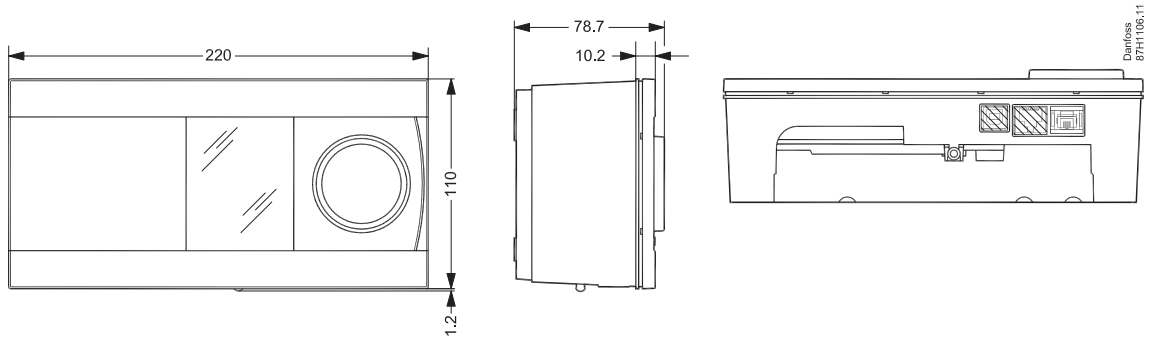


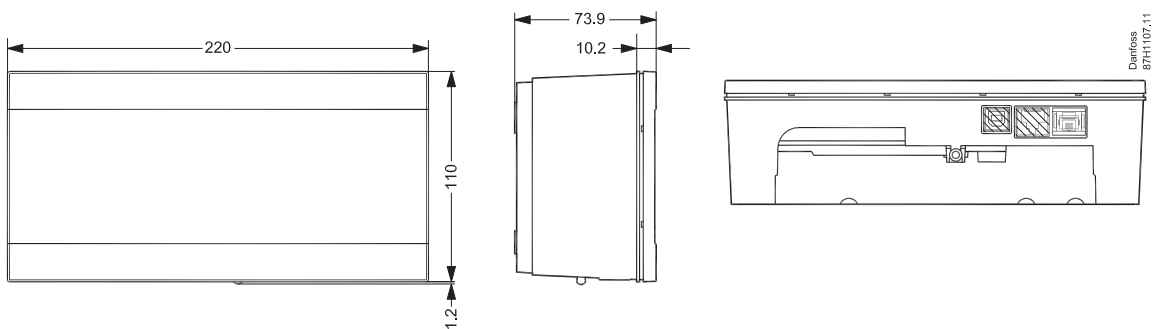
Installation Guide

ECL Comfort 310 / 310B

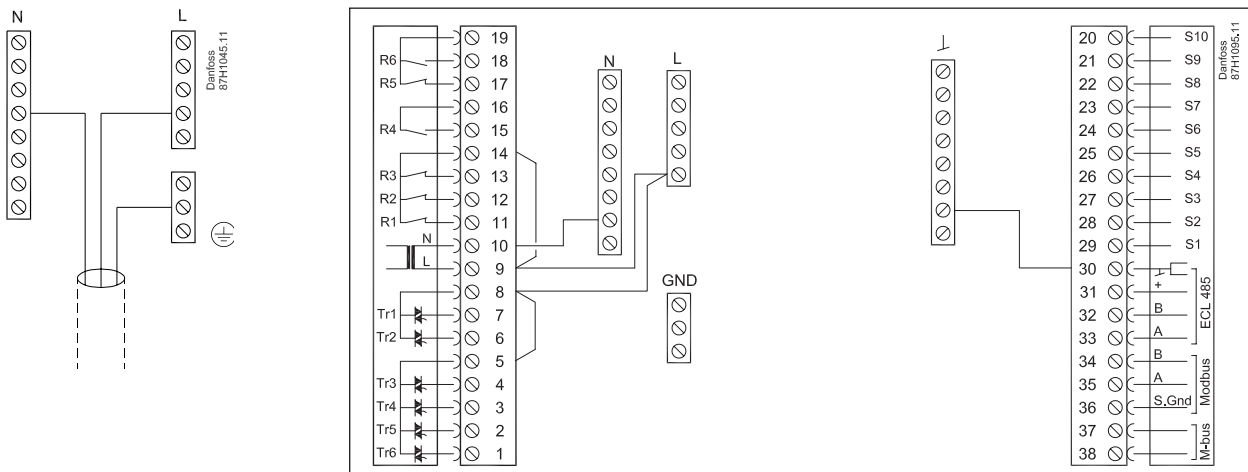
ECL Comfort 310 (code no. 087H3040 - 230 V a.c., code no. 087H3044 - 24 V a.c.):



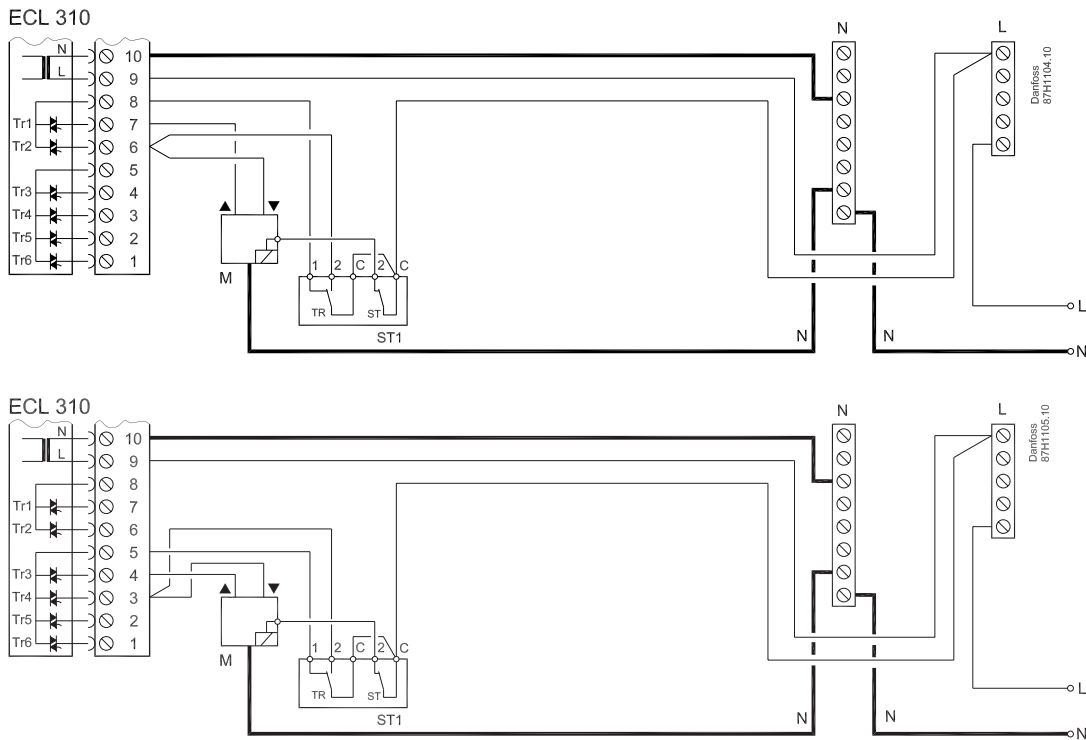
ECL Comfort 310B (code no. 087H3050 - 230 V a.c.):



Installation Guide, ECL Comfort 310 / 310B



24 V a.c. / 230 V a.c. safety thermostat



? **ECL Comfort 310: www.danfoss.com**
Leanheat® Monitor: [Leanheat® Monitor website](#)
Leanheat® Monitor - [5-step instructions](#)
Leanheat® Monitor - [087H3040 \(5-step instructions\)](#)
Leanheat® Monitor - [087H3044 \(5-step instructions\)](#)

? **<https://www.youtube.com/user/DanfossHeating>**
-> Playlists -> How-to Videos -> District Energy installation videos



ENGINEERING
TOMORROW



Danfoss A/S

6430 Nordborg
Denmark
CVR nr.: 20 16 57 15

Telephone: +45 7488 2222
Fax: +45 7449 0949

STATEMENT OF COMPLIANCE

Danfoss A/S
HydronicS Division

declares under our sole responsibility that the

Product category: Electronic Controller

Type designation(s):

ECL Comfort 310 (087H3040, 087H3044, 087H3050)
ECL Comfort 296 (087H3000)
Software: Leanheat Monitor

Covered by this declaration is in conformity with the following directive(s), regulations(s), standard(s) or other normative document(s), provided that the product is used in accordance with our instructions.

UK PSTI

Product Security and Telecommunications Infrastructure Act 2022 - Part 1

and



The Product Security and Telecommunications Infrastructure (Security Requirements for Relevant Connectable Products) Regulations 2023

ETSI EN 303 645 V2.1.1 (2020-06); Cyber Security for Consumer Internet of Things: Baseline Requirements, provision 5.1-1, 5.1-2, 5.2-1, 5.3-13

Defined support period for the product: Invoice date + 2 years

In case a security vulnerability is identified for a product, please fill in the following template:

<https://www.danfoss.com/en/service-and-support/report-security-vulnerability/>

Date: 07 November 2024	Issued by Signed by:  Name: Samo Krančan Title: Sustainability and Compliance Director	Date: 07 October 2024	Approved by DocuSigned by:  Name: Nanna Aage Lundsgaard Title: Vice President, Head of RD&E, HydronicS Division
Place of issue: Ljubljana	Place of issue: Nordborg		

Danfoss only vouches for the correctness of the English version of this document. In the event of the document being translated into any other language, the translator concerned must be liable for the correctness of the translation.

ID No: 240409EN0091101

Revision No: 2

Page 1 of 1

To find UK PSTI latest version: Click here: [Link](#)



Danfoss A/S

Climate Solutions • danfoss.com • +45 7488 2222



Any information, including, but not limited to information on selection of product, its application or use, product design, weight, dimensions, capacity or any other technical data in product manuals, catalogues descriptions, advertisements, etc. and whether made available in writing, orally, electronically, online or via download, shall be considered informative, and is only binding if and to the extent, explicit reference is made in a quotation or order confirmation. Danfoss cannot accept any responsibility for possible errors in catalogues, brochures, videos and other material. Danfoss reserves the right to alter its products without notice. This also applies to products ordered but not delivered provided that such alterations can be made without changes to form, fit or function of the product.

All trademarks in this material are property of Danfoss A/S or Danfoss group companies. Danfoss and the Danfoss logo are trademarks of Danfoss A/S. All rights reserved.