

ENGINEERING
TOMORROW

Danfoss

Installation Guide / Installationshandbuch / Guide d'installation / Guida di installazione /
Installatiehandleiding / 安装指南 / Guía de instalación / Руководство по установке / Kurulum
Kılavuzu / Guia de instalação / 설치 지침서 / Інструкція з монтажу

VLT® Frequency Converters, 90–400 kW

D1h–D8h (FC 102/FC 103/FC 202/FC 301/FC 302)



1 Installation

1.1 Qualified Personnel

Only qualified personnel are allowed to install, commission, and maintain Danfoss drives. Qualified personnel are trained individuals who are familiar with and authorized to mount and wire the drive in accordance with pertinent laws and regulations. Also, qualified personnel must be familiar with the instructions and safety measures described in this installation guide.

1.2 Safety Symbols

The following symbols are used in this guide:

DANGER

Indicates a hazardous situation which, if not avoided, will result in death or serious injury.

WARNING

Indicates a hazardous situation which, if not avoided, could result in death or serious injury.

CAUTION

Indicates a hazardous situation which, if not avoided, could result in minor or moderate injury.

NOTICE

Indicates information considered important, but not hazard-related (for example, messages relating to property damage).

1.3 Safety Precautions

WARNING



LACK OF SAFETY AWARENESS

Before starting installation, read all safety guidelines and precautions in this installation guide. Additional documentation such as the product-specific operating guide, design guide, and programming guide, as well as the functional safety guides can be accessed by scanning the QR code on the front cover. PC tools and MyDrive® ecoSmart™ can be downloaded at www.danfoss.com.

This guide gives important information on preventing injury and damage to the equipment or the system. Ignoring this information can lead to death, serious injury, or severe damage to the equipment.

- Make sure to fully understand the dangers and safety measures present in the application.
- Before performing any electrical work on the drive, lock out and tag out all power sources to the drive.

 **WARNING****LIFTING HEAVY LOAD**

The drive is heavy. Lifting heavy objects incorrectly can result in death, injury, or property damage.

- Follow local safety regulations on lifting.
- Check the weight of the drive. The weight is provided on the outside of the shipping box.
- If lifting equipment is used, ensure that it is in proper working condition and can safely lift the weight of the drive.
- Test lift the drive to verify the proper center of gravity. Reposition the lifting point if not level.

 **WARNING****HAZARDOUS VOLTAGE**

Drives contain hazardous voltage when connected to AC or DC supply. Failure to perform installation, startup, and maintenance by qualified personnel can result in death or serious injury.

- Only qualified personnel must perform installation, startup, and maintenance.

 **WARNING****DISCHARGE TIME**

The drive contains DC-link capacitors, which can remain charged even when the drive is not powered. High voltage can be present even when the warning indicator lights are off. Failure to wait the specified time after power has been removed before performing service or repair work can result in death or serious injury.

- Stop the motor
- Disconnect all power sources, including permanent magnet type motors.
- Wait for capacitors to discharge fully. The discharge time is specified on the drive product label.
- Measure the voltage level to verify full discharge.

 **WARNING****UNINTENDED START**

When the drive is connected to the AC mains or connected on the DC terminals, the motor may start at any time, causing risk of death, serious injury, and equipment or property damage.

- Stop the drive and motor before configuring parameters.
- Make sure that the drive cannot be started by external switch, a fieldbus command, an input reference signal from the control panel, or after a cleared fault condition.
- Disconnect the drive from the mains whenever safety considerations make it necessary to avoid unintended motor start.
- Check that the drive, motor, and any driven equipment are in operational readiness.

 **CAUTION**
INTERNAL FAILURE HAZARD

An internal failure in the drive can result in serious injury when the drive is not properly closed.

- Ensure that all safety covers are in place and securely fastened before applying power.

 **WARNING**
**ELECTRICAL SHOCK AND FIRE HAZARD**

The drive can cause a DC current in the ground conductor. Failure to use a Type B residual current-operated protective device (RCD) can lead to the RCD not providing the intended protection which can result in death, fire, or other serious hazard.

- Use an RCD device.
- When an RCD is used for protection against electrical shock or fire, use only a Type B device on the supply side.

 **WARNING**
**INDUCED VOLTAGE**

Induced voltage from output motor cables that run together can charge equipment capacitors, even with the equipment turned off and locked out/tagged out. Failure to run output motor cables separately, or to use shielded cables, could result in death or serious injury.

- Run output motor cables separately or use shielded cables.
- Simultaneously lock out/tag out all the drives.

 **WARNING**
**ELECTRICAL SHOCK HAZARD**

Due to the stray capacitance of the shielded motor cable, the leakage currents exceed 3.5 mA. Failure to properly ground the drive can result in death or serious injury.

- Ensure that minimum size of the ground conductor complies with the local safety regulations for high touch current equipment.
- Use a reinforced ground conductor according to IEC 60364-5-54 cl. 543.7 or local safety regulations for equipment with leakage current >3.5 mA.
- For reinforced grounding:
 - Use a ground conductor with a cross-section of at least 10 mm² (8 AWG) Cu or 16 mm² (6 AWG) Al, or an extra ground conductor of the same cross-sectional area as the original ground conductor as specified by IEC 60364-5-54, with a minimum cross-sectional area of 2.5 mm² (14 AWG) mechanically protected or 4 mm² (12 AWG) not mechanically protected.
 - Use a ground conductor inside an enclosure or otherwise protected throughout its length against mechanical damage.
 - Use a ground conductor that is part of a multi-conductor power cable with a minimum PE conductor cross-section of 2.5 mm² (14 AWG) that is permanently connected or plugged in by an industrial connector. The multi-conductor power cable must be installed with an appropriate strain relief.

 **CAUTION****THERMISTOR INSULATION**

Risk of personal injury or equipment damage.

- To meet the PELV insulation requirements, use only thermistors with reinforced or double insulation.

NOTICE**EXCESSIVE HEAT AND PROPERTY DAMAGE**

Overcurrent can generate excessive heat within the drive. Failure to provide overcurrent protection can result in risk of fire and property damage.

- Additional protective devices such as short-circuit protection or motor thermal protection between drive and motor is required for applications with multiple motors.
- Input fusing is required to provide short-circuit and overcurrent protection. If fuses are not factory-supplied, the installer must provide them. Refer to the product-specific documentation for fuse specifications.

NOTICE**PROPERTY DAMAGE**

Protection against motor overload is not active by default. Failure to set the ETR function means that motor overload protection is not provided and property damage can occur if the motor overheats.

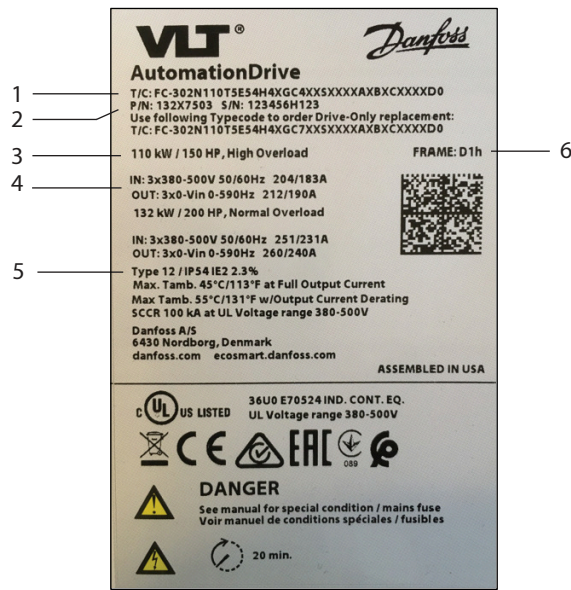
- To provide class 20 motor overload protection, enable the ETR function. See the programming guide for more information.

1.4 Required Tools

- Lifting aid
- Tape measure
- Drill with assorted bits
- Screwdrivers (Torx, Phillips, slotted)
- Wrench with 7–17 mm sockets
- Socket extensions
- Sheet metal punch and/or pliers
- Wire crimper

1.5 Verifying the Shipment and Its Contents

Verify the items supplied and the information on the product label match the order. The product label is on the exterior of the drive.



e30bb076.10

Figure 1: Example of a Product Label

1	Type code	2	Part number and serial number
3	Power rating	4	Input/output voltage, frequency, and current
5	Enclosure protection rating	6	Enclosure size

1.6 EMC-compliant Installation

For more information, refer to the operating or design guide.

- Use shielded cables for motor output (unshielded cables in metal conduit are acceptable), brake, DC, and control wiring.
- Ensure that motor, brake, and DC cables are as short as possible to reduce the interference level from the entire system. Provide a minimum space of 200 mm (7.9 in) between mains input, motor cables, and control cables.
- Convey the currents back to the drive using a metal mounting plate and proper EMC bonding clamps. Ensure good electrical contact from the mounting plate through the mounting screws to the metal frame of the enclosure.
- If the shield connection points have a voltage potential difference, connect a low impedance equalizing wire parallel to the shielded cable.
- When using relays, control cables, a signal interface, fieldbus, or brake, connect the shield to the enclosure at both ends. If the ground path has high impedance, is noisy, or is carrying current, break the shield connection on one end to avoid ground current loops.

1.7 Installing the Drive

WARNING

SHOCK HAZARD

Touching an uncovered motor, mains, or DC connection plug or terminal can result in death or serious injury.

- All plugs and terminal protection covers for the motor, mains, and DC connections must be installed within the IP20 enclosure to provide an IP20 protection rating. If plug and terminal covers are not installed, the protection rating is considered IP00.

The installation location is important. Full output current is available when the following installation conditions are met. For temperatures and altitudes outside this range, consult the Derating sections in the product-specific design guide.

- Maximum ambient temperature: 45 °C (113 °F) average over 24 hours and 50 °C (122 °F) for 1 hour.
- Minimum ambient temperature: 0 °C (32 °F).
- Altitude < 1000 m (3280 ft) above sea level.

1. Identify the enclosure size. See Illustration 1.
2. Identify any options that need extra wiring and setup by using the type code. See step 1 in the Illustrations section.

Scanning the QR code on the cover opens the documentation search page. Use the option number to search for related documentation. For example, use MCA 120 to search for VLT® PROFINET MCA 120 documentation.

3. Make sure that the operating environment and electrical installation meet the following standards.
 - a. Indoor unconditioned/pollution degree 2.
 - b. Overvoltage category 3.
4. Review the wiring diagram. See step 2 in the Illustrations section.

All wiring must comply with local and national regulations regarding cross-section and ambient temperature requirements. Loose connections can cause equipment faults or reduced performance. Tighten the terminals according to the proper torque value shown in step 9 in the Illustrations section.

5. Review the fuse specifications. See step 3 in the Illustrations section.

The drive can be suitable for use on a circuit capable of delivering up to 100 kA short circuit current rating (SCCR) at 480/600 V. For circuit breaker and switch SCCR ratings, see the product-specific design guide.

6. Review the power cable specifications. See step 4 in the Illustrations section.

Use copper wire with a minimum 70 °C (158 °F) rating. For aluminum wire, see the product-specific design guide.

7. Install the drive following the numbered steps in the Illustrations section. Certain illustrations/steps pertain to specific enclosure sizes and are marked as such.
 - a. Attach accessory bag components to the drive. See step 5 in the Illustrations section.
 - b. Mount the drive on or against a solid, non-combustible mounting surface such as concrete or metal. Ensure proper cooling by providing minimum clearance above and below the drive. See step 6 in the Illustrations section.

D3h–D4h are wall mounted, D1h–D2h and D5h–D6h are wall or floor mounted, and D7h–D8h are floor mounted.

- c. Create cable openings in the cable entry plate. See step 7 in the Illustrations section.
 - d. Install the control wiring. See step 8 in the Illustrations section.
 - e. Install the motor, mains, and ground wiring. See step 9 in the Illustrations section.
 - f. Route the control cables towards the left side of the drive.
8. Securely fasten the cover to the drive.
 9. Perform initial drive and motor setup. Consult the product-specific programming guide.

Functional safety options require extra wiring and parameter configuration. See the specific functional safety operating guide, such as the Safe Torque Off Operating Guide, for more information on installing the safety option.

1.8 Fire/Emergency Mode

When running in fire/emergency mode, the frequency converter can be programmed to sacrifice itself so the applications (for example, ventilation or water pumps) continue to operate as long as possible.

Before activating the fire/emergency mode, ensure that all relevant parameters for the motor and application are configured correctly. Danfoss recommends running the application from minimum to maximum speed and then bringing the application to a complete stop to verify that it functions correctly without triggering any warnings or alarms on the local control panel. Failure to complete this step before enabling the fire/emergency mode can result in loss of warranty. For more instructions on configuring the fire/emergency mode, see *Parameter Group 24-** Application Functions 2* in the VLT programming guide, or contact your local Danfoss office.

1.9 Power Losses and Efficiency

For power loss data including part load losses, see <https://ecosmart.mydrive.danfoss.com>.

1 Installation

1.1 Qualifiziertes Personal

Nur qualifiziertes Personal darf Danfoss-Frequenzrichter installieren, in Betrieb nehmen und warten. Unter qualifiziertem Personal sind geschulte Personen zu verstehen, die mit der Montage und Verkabelung des Frequenzrichters gemäß den geltenden Gesetzen und Vorschriften vertraut sind und die dafür erforderliche Autorisierung besitzen. Darüber hinaus muss das qualifizierte Personal mit den in dieser Installationsanleitung enthaltenen Anweisungen und Sicherheitsmaßnahmen vertraut sein.

1.2 Sicherheitssymbole

Folgende Symbole kommen in diesem Handbuch zum Einsatz:

GEFÄHR

Kennzeichnet eine gefährliche Situation, die, wenn sie nicht vermieden wird, zum Tod oder zu schweren Verletzungen führen wird.

WARNUNG

Kennzeichnet eine gefährliche Situation, die, wenn sie nicht vermieden wird, zum Tod oder zu schweren Verletzungen führen kann.

VORSICHT

Kennzeichnet eine gefährliche Situation, die, wenn sie nicht vermieden wird, zu geringfügigen bis mittelschweren Verletzungen führen kann.

HINWEIS

Zeigt Informationen als wichtig, jedoch nicht gefahrenbezogen an (zum Beispiel Meldungen hinsichtlich Sachbeschädigungen).

1.3 Sicherheitsmaßnahmen

WARNUNG



MANGELNDES SICHERHEITSBEWUSSTSEIN

Lesen Sie vor Beginn der Installation alle Sicherheitsrichtlinien und Schutzmaßnahmen in dieser Installationsanleitung. Weitere Dokumente, wie die produktspezifische Bedienungsanleitung, das Projektierungshandbuch, das Programmierhandbuch und die Handbücher zur funktionalen Sicherheit können durch Scannen des QR-Codes an der Frontabdeckung aufgerufen werden. Die PC-Tools und MyDrive® ecoSmart™ können unter www.danfoss.com heruntergeladen werden.

Diese Installationsanleitung enthält wichtige Informationen zur Vermeidung von Verletzungen und Schäden am Gerät oder System. Die Nichtbeachtung der vorliegenden Informationen kann zum Tod, zu schweren Verletzungen oder schweren Schäden am Gerät führen.

- Stellen Sie sicher, dass Sie die in der Anwendung bestehenden Gefahren und die vorhandenen Sicherheitsmaßnahmen vollständig verstehen.
- Vor der Durchführung von Elektroarbeiten am Frequenzrichter sind alle Stromquellen vom Frequenzrichter zu trennen, abzusperrern und zu kennzeichnen (Lockout/Tagout).

 **WARNUNG****HEBEN SCHWERER LASTEN**

Der Frequenzumrichter ist schwer. Ein unsachgemäßes Anheben schwerer Gegenstände kann zum Tod, zu Verletzungen oder zu Sachschäden führen.

- Befolgen Sie die lokalen Sicherheitsvorschriften für Hebearbeiten.
- Überprüfen Sie das Gewicht des Frequenzumrichters. Das Gewicht ist auf der Außenseite der Versandkiste angegeben.
- Vergewissern Sie sich bei Verwendung von Hebezeugen, dass diese ordnungsgemäß funktionieren und das Gewicht des Frequenzumrichters sicher heben können.
- Heben Sie den Frequenzumrichter probeweise etwas an, um den richtigen Schwerpunkt zu finden. Ändern Sie den Hebepunkt, wenn der Frequenzumrichter nicht im Lot ist.

 **WARNUNG****GEFÄHRLICHE SPANNUNG**

Frequenzumrichter führen beim Anschluss an die AC- oder DC-Versorgung eine gefährliche Spannung. Erfolgen Installation, Inbetriebnahme und Wartung nicht durch qualifiziertes Personal, kann dies zum Tod oder zu schweren Verletzungen führen.

- Installation, Inbetriebnahme und Wartung dürfen ausschließlich von qualifiziertem Personal durchgeführt werden.

 **WARNUNG****ENTLADEZEIT**

Der Frequenzumrichter enthält DC-Zwischenkreiskondensatoren, die auch bei abgeschaltetem Frequenzumrichter geladen sein können. Auch wenn die Warn-Anzeigeleuchten nicht leuchten, kann Hochspannung vorliegen. Das Nichteinhalten der angegebenen Wartezeit nach dem Trennen der Stromversorgung vor Wartungs- oder Reparaturarbeiten kann zum Tod oder zu schweren Verletzungen führen.

- Stoppen Sie den Motor.
- Trennen Sie alle Stromquellen, einschließlich Permanentmagnetmotoren.
- Warten Sie, bis sich die Kondensatoren vollständig entladen haben. Die Entladezeit ist auf dem Typenschild des Frequenzumrichters angegeben.
- Messen Sie das Spannungsniveau, um sicherzugehen, dass die Kondensatoren vollständig entladen sind.

 **WARNUNG**
**UNERWARTETER ANLAUF**

Wenn der Frequenzumrichter an das Versorgungsnetz oder die DC-Klemmen angeschlossen ist, kann der Motor jederzeit anlaufen, was zum Tod oder zu schweren Verletzungen sowie zu Geräte- oder Sachschäden führen kann.

- Stoppen Sie den Frequenzumrichter und den Motor vor jeder Konfiguration von Parametern.
- Stellen Sie sicher, dass der Frequenzumrichter nicht über einen externen Schalter, einen Feldbusbefehl, ein Sollwerteingangssignal von der Bedieneinheit oder nach der Quittierung eines Fehlerzustandes gestartet werden kann.
- Ist ein unerwarteter Anlauf des Motors aus Sicherheitserwägungen unerwünscht, trennen Sie den Frequenzumrichter ggf. vom Netz.
- Prüfen Sie, ob der Frequenzumrichter, der Motor und alle angetriebenen Geräte betriebsbereit sind.

 **VORSICHT**
GEFAHR BEI EINEM INTERNEN FEHLER

Ein interner Fehler im Frequenzumrichter kann zu schweren Verletzungen führen, wenn der Frequenzumrichter nicht ordnungsgemäß geschlossen wird.

- Stellen Sie vor dem Anlegen von Netzspannung sicher, dass alle Sicherheitsabdeckungen angebracht und ordnungsgemäß befestigt sind.

 **WARNUNG**
**STROMSCHLAG- UND BRANDGEFAHR**

Der Frequenzumrichter kann einen Gleichstrom im Erdleiter verursachen. Wird es unterlassen, eine Fehlerstromschutzeinrichtung (Fehlerstromschutzschalter) des Typs B zu verwenden, kann der Fehlerstromschutzschalter möglicherweise nicht den vorgesehenen Schutz bieten. Dies kann zum Tod und zu schweren Verletzungen führen!

- Verwenden Sie einen Fehlerstromschutzschalter (RCD).
- Wird ein Fehlerstromschutzschalter zum Schutz vor Stromschlag oder zur Brandverhinderung verwendet, ist auf der Versorgungsseite nur eine Vorrichtung des Typs B zulässig.

 **WARNUNG**
**INDUZIERTER SPANNUNG**

Eine von nebeneinander verlegten Motorausgangskabeln induzierte Spannung kann die Gerätekapazitoren aufladen, selbst wenn das Gerät ausgeschaltet, gesperrt und verriegelt ist. Wenn Motorausgangskabel nicht separat verlegt oder keine abgeschirmten Kabel verwendet werden, kann dies zum Tod oder zu schweren Verletzungen führen!

- Verlegen Sie Motorkabel separat oder verwenden Sie abgeschirmte Kabel.
- Sperren/verriegeln Sie alle Frequenzumrichter gleichzeitig.

 **WARNUNG**
**GEFAHR EINES STROMSCHLAGS**

Aufgrund der Streukapazität des abgeschirmten Motorkabels überschreiten die Ableitströme 3,5 mA. Eine fehlende oder nicht vorschriftsgemäße Erdung des Frequenzumrichters kann zum Tod oder zu schweren Verletzungen führen!

- Stellen Sie sicher, dass der Mindestquerschnitt des Erdleiters den örtlichen Sicherheitsvorschriften für Geräte mit hohem Berührungsstrom entspricht.
- Verwenden Sie einen verstärkten Erdleiter gemäß IEC 60364-5-54 Kl. 543.7 oder gemäß den örtlichen Sicherheitsvorschriften für Geräte mit einem Ableitstrom >3,5 mA.
- Gehen Sie zur verstärkten Erdung wie folgt vor:
 - Verwenden Sie einen Erdleiter mit einem Querschnitt von mindestens 10 mm² (8 AWG) Cu, 16 mm² (6 AWG) Al oder einen zusätzlichen Erdleiter mit demselben Querschnitt wie der ursprüngliche Erdleiter gemäß IEC 60364-5-54, mit einem Mindestquerschnitt von 2,5 mm² (14 AWG) (mechanisch geschützt) bzw. 4 mm² (12 AWG) (mechanisch ungeschützt).
 - Verwenden Sie einen Erdleiter, der vollständig von einem Gehäuse umschlossen oder anderweitig über die gesamte Länge gegen mechanische Beschädigungen geschützt ist.
 - Verwenden Sie einen Erdleiter, der Teil eines mehradrigen Leistungskabels mit einem Mindest-Schutzleiterquerschnitt von 2,5 mm² (14 AWG) ist, das fest angeschlossen oder über einen Industriestecker eingesteckt ist. Das mehradrige Leistungskabel muss mit einer geeigneten Zugentlastung installiert werden.

 **VORSICHT**
THERMISTORISOLIERUNG

Gefahr von Verletzungen oder Sachschäden!

- Um die PELV-Isolieranforderungen zu erfüllen, verwenden Sie ausschließlich Thermistoren mit verstärkter oder doppelter Isolierung.

HINWEIS**ÜBERMÄSSIGE WÄRME UND SACHSCHÄDEN**

Ein Überstrom kann zu übermäßiger Wärme im Umrichter führen. Bei fehlendem Überstromschutz besteht die Gefahr von Feuer und Sachschäden.

- Bei Anwendungen mit mehreren Motoren benötigen Sie zwischen Frequenzumrichter und Motor zusätzliche Schutzgeräte, z. B. einen Kurzschlusschutz oder einen thermischen Motorschutz.
- Gewährleisten Sie den Kurzschluss- und Überstromschutz durch Sicherungen am Eingang. Wenn die Sicherungen nicht Bestandteil der Lieferung ab Werk sind, müssen sie vom Installateur als Bestandteil der Installation bereitgestellt werden. Angaben zu den Sicherungen finden Sie in der produktspezifischen Dokumentation.

HINWEIS**GEFAHR VON SACHSCHÄDEN**

Der Schutz vor Motorüberlastung ist standardmäßig nicht aktiv. Wird die ETR-Funktion nicht eingestellt, ist kein thermischer Motorüberlastschutz aktiviert und bei einer Motorüberhitzung kann es zu Sachschäden kommen.

- Aktivieren Sie die ETR-Funktion, um einen Motorüberlastschutz der Klasse 20 zu gewährleisten. Weitere Informationen finden Sie im Programmierhandbuch.

1.4 Erforderliche Werkzeuge

- Hubvorrichtung
- Maßband
- Bohrmaschine mit einer Auswahl von Bohreinsätzen
- Schraubendreher (Torx-, Kreuzschlitz- und Schlitzschraubendreher)
- Schraubenschlüssel mit Schlüsseleinsätzen (7–17 mm)
- Schlüsseleinsatzverlängerungen
- Blechstanze und/oder Zange
- Kabelcrimper

1.5 Überprüfen der Lieferung und ihres Inhalts

Überprüfen Sie, ob alle mitgelieferten Teile und die Angaben auf dem Typenschild mit der Bestellung übereinstimmen. Das Typenschild befindet sich an der Außenseite des Frequenzumrichters.



e30bb076.10

Abbildung 1: Beispiel für ein Produkttypenschild

1	Typencode	2	Teilenummer und Seriennummer
3	Nennleistung	4	Eingangs-/Ausgangsspannung, Frequenz und Strom
5	Schutzart	6	Baugröße

1.6 EMV-gerechte Installation

Weitere Informationen finden Sie in der Bedienungsanleitung oder im Projektierungshandbuch.

- Verwenden Sie für Motorausgangs-, Brems-, DC- und Steuerkabel abgeschirmte Kabel (ungeschirmte Kabel in Metallrohren sind ebenfalls zulässig).
- Stellen Sie sicher, dass die Motor-, Brems- und Gleichstromkabel so kurz wie möglich gehalten werden, um das Störungslevel des Gesamtsystems zu reduzieren. Halten Sie einen Mindestabstand von 200 mm (7,9 in) zwischen Netzanschluss, Motorkabeln sowie Steuerleitungen ein.

- Führen Sie die Ableitströme mithilfe einer Montageplatte aus Metall und ordnungsgemäßer EMV-Anschlussklemmen zum Frequenzumrichter zurück. Durch die Montageschrauben muss stets ein guter elektrischer Kontakt von der Montageplatte zum Metallrahmen des Gehäuses gewährleistet sein.
- Schließen Sie einen niederohmigen Ausgleichsdraht parallel zum abgeschirmten Kabel an, wenn die Anschlusspunkte des Schirmgeflechts eine Spannungspotenzialdifferenz aufweisen.
- Bei Verwendung von Relais, Steuerleitungen, Signalgeber, Feldbus oder Bremse verbinden Sie die Abschirmung an beiden Enden mit dem Gehäuse. Wenn die Erdung eine hohe Impedanz hat, rauscht oder Strom führt, unterbrechen Sie die Abschirmung an einem Ende, um Masseschleifen zu vermeiden.

1.7 Installation des Frequenzumrichters

WARNUNG



STROMSCHLAGGEFAHR

Das Berühren eines nicht abgedeckten Motor-, Netz- oder DC-Anschlusssteckers oder -anschlusses kann zum Tod oder zu schweren Verletzungen führen.

- Alle Stecker und Klemmschutzabdeckungen für die Motor-, Netz- und DC-Anschlüsse müssen innerhalb des IP20-Gehäuses installiert werden, um die Schutzart IP20 zu gewährleisten. Wenn Stecker und Klemmenabdeckungen nicht installiert sind, gilt die Schutzart IP00.

Der Einbauort ist wichtig. Der volle Ausgangsstrom steht zur Verfügung, wenn die folgenden Installationsbedingungen erfüllt sind. Für Temperaturen und Höhen außerhalb dieses Bereichs lesen Sie bitte die Abschnitte zur Leistungsreduzierung im produktspezifischen Projektierungshandbuch.

- Maximale Umgebungstemperatur: 45 °C im Mittel über 24 Stunden und 50 °C während 1 Stunde.
 - Minimale Umgebungstemperatur: 0 °C.
 - Höhe weniger als 1000 m über Meeresspiegel.
1. Ermitteln Sie die Gehäusegröße. siehe Abbildung 1.
 2. Identifizieren Sie mithilfe des Typencodes alle Optionen, die eine zusätzliche Verdrahtung und Einrichtung erfordern. Siehe Schritt 1 im Abschnitt Abbildungen.

Durch Scannen des QR-Codes auf der Abdeckung wird die Seite Dokumentationssuche geöffnet. Verwenden Sie die Optionsnummer, um nach der zugehörigen Dokumentation zu suchen. Verwenden Sie zum Beispiel „MCA 120“, um nach der Dokumentation für VLT PROFINET MCA 120 zu suchen.

3. Stellen Sie sicher, dass die Betriebsumgebung und die elektrische Installation den folgenden Normen entsprechen.
 - a. Innenräume nicht klimatisiert/Verschmutzungsgrad 2.
 - b. Überspannungskategorie 3.
4. Überprüfen Sie den Schaltplan. Siehe Schritt 2 im Abschnitt Abbildungen.

In Bezug auf Querschnitte und Umgebungstemperaturen müssen alle Leitungen lokale und nationale Vorschriften erfüllen. Lockere oder lose Anschlüsse können zu Gerätefehlern oder Leistungseinbußen führen. Ziehen Sie die Klemmen mit dem in Schritt 9 im Abschnitt Abbildungen angegebenen Drehmoment an.

5. Überprüfen Sie die Sicherungsspezifikationen. Siehe Schritt 3 im Abschnitt Abbildungen.

Der Frequenzumrichter kann für den Einsatz in einem Stromkreis mit einem Kurzschluss-Nennstrom (SCCR) von maximal 100 kA bei 480/600 V geeignet sein. Angaben zu den SCCR-Nennwerten des Hauptschalters und Schalters finden Sie im produktspezifischen Projektierungshandbuch.

6. Überprüfen Sie die Spezifikationen des Leistungskabels. Siehe Schritt 4 im Abschnitt Abbildungen.

Verwenden Sie Kupferdraht mit einem Nennwert von mindestens 70 °C. Angaben für Aluminiumdraht finden Sie im produktspezifischen Projektierungshandbuch.

7. Installieren Sie den Frequenzumrichter gemäß den nummerierten Schritten im Abschnitt Abbildungen. Beachten Sie, dass sich manche Abbildungen/Schritte auf bestimmte Gehäusegrößen beziehen und entsprechend gekennzeichnet sind.
- Befestigen Sie die Komponenten des Montagezubehörs am Frequenzumrichter (Schritt 5).
 - Montieren Sie den Frequenzumrichter auf oder an einer festen, nicht brennbaren Montagefläche wie Beton oder Metall (Schritt 6). Sorgen Sie für ausreichende Kühlung, indem Sie einen freien Mindestabstand über und unter dem Frequenzumrichter einhalten.

D3h–D4h sind für die Wandmontage vorgesehen, D1h–D2h und D5h–D6h sind für die Wand- oder Bodenmontage ausgelegt und D7h–D8h kommen auf dem Boden montiert zum Einsatz.

- Stellen Sie Kabelöffnungen in der Kabeleinführungsplatte her (Schritt 7).
 - Installieren Sie die Steuerleitungen (Schritt 8).
 - Installieren Sie die Motor-, Netz- und Erdungskabel (Schritt 9).
 - Verlegen Sie die Steuerleitungen auf der linken Seite des Frequenzumrichters.
8. Befestigen Sie die Abdeckung sicher am Frequenzumrichter.
9. Führen Sie die Ersteinrichtung von Frequenzumrichter und Motor durch. Schlagen Sie hierzu im produktspezifischen Programmierhandbuch nach.

Funktionale Sicherheitsoptionen erfordern eine zusätzliche Verdrahtung und Parameterkonfiguration. Weitere Informationen zur Installation der Sicherheitsoption finden Sie in der spezifischen Bedienungsanleitung zur funktionalen Sicherheit, wie z. B. in der Bedienungsanleitung zu „Safe Torque Off“.

1.8 Notfallbetrieb

Der Frequenzumrichter kann so programmiert werden, dass er sich im Notfallbetrieb selbst „opfert“, damit die Anwendungen (z. B. eine Lüftungsanlage oder Wasserpumpen) so lange wie möglich weiterlaufen.

Stellen Sie vor der Aktivierung des Notfallbetriebs sicher, dass alle relevanten Parameter für Motor und Anwendung korrekt konfiguriert sind. Danfoss empfiehlt, die Anwendung von minimaler auf maximale Drehzahl zu fahren und die Anwendung anschließend vollkommen anzuhalten. So kann die korrekte Funktion überprüft werden, ohne Warnungen oder Alarmer an der LCP-Bedieneinheit auszulösen. Die Nichtdurchführung dieses Schritts vor einer Aktivierung des Notfallbetriebs kann den Verlust des Garantieanspruchs zur Folge haben. Weitere Anweisungen zur Konfiguration des Notfallbetriebs finden Sie in **Parametergruppe 24-** Anwendungsfunktionen 2** im VLT-Programmierhandbuch. Wenden Sie sich ansonsten bitte an Ihre lokale Danfoss-Niederlassung.

1.9 Leistungsverluste und Wirkungsgrad

Informationen zu Leistungsverlusten, inklusive Teillastverlusten, finden Sie unter <https://ecosmart.mydrive.danfoss.com>.

1 Installation

1.1 Personnel qualifié

Seul le personnel qualifié est habilité à installer, mettre en service et entretenir les variateurs Danfoss. Le personnel qualifié désigne les personnes formées qui connaissent et sont habilitées à monter et à câbler le variateur conformément aux lois et réglementations en vigueur. Le personnel qualifié doit également être familiarisé avec les instructions et les mesures de sécurité décrites dans le présent guide d'installation.

1.2 Symboles de sécurité

Les symboles suivants sont utilisés dans ce manuel :

DANGER

Indique une situation dangereuse qui, si elle n'est pas évitée, entraînera des blessures graves, voire mortelles.

AVERTISSEMENT

Indique une situation dangereuse qui, si elle n'est pas évitée, peut entraîner des blessures graves, voire mortelles.

ATTENTION

Indique une situation dangereuse qui, si elle n'est pas évitée, peut entraîner des blessures superficielles à modérées.

REMARQUE

Donne des informations considérées comme importantes, mais ne présentant pas de danger (p. ex. messages concernant des dégâts matériels).

1.3 Précautions de sécurité

AVERTISSEMENT



ABSENCE DE SENSIBILISATION À LA SÉCURITÉ

Avant de commencer l'installation, lire toutes les consignes et précautions de sécurité figurant dans ce guide d'installation. Des documents supplémentaires comme le manuel d'utilisation spécifique au produit, le manuel de configuration et le guide de programmation, ainsi que les guides de sécurité fonctionnelle, sont accessibles via le QR code sur le capot avant. Les outils PC et MyDrive® ecoSmart™ peuvent être téléchargés sur www.danfoss.com.

Ce guide contient des informations importantes visant à éviter les blessures et les dommages causés à l'équipement ou au système. Si ces informations ne sont pas prises en compte, cela risque d'entraîner des blessures graves voire mortelles, ou de provoquer des dommages importants sur l'équipement.

- Veiller à bien comprendre les dangers et les mesures de sécurité liés à l'application concernée.
- Avant d'effectuer des travaux d'électricité sur le variateur, verrouiller et étiqueter toutes les sources d'alimentation du variateur.

 **AVERTISSEMENT****LEVAGE DE CHARGE LOURDE**

Le variateur est lourd. Le levage incorrect d'objets lourds peut entraîner la mort, des blessures ou des dommages matériels.

- Respecter les réglementations de sécurité locales concernant le levage.
- Vérifier le poids du variateur. Le poids est indiqué sur l'extérieur du carton d'expédition.
- En cas d'utilisation d'un équipement de levage, s'assurer qu'il est en bon état de fonctionnement et peut soulever en toute sécurité le poids du variateur.
- Tester le levage du variateur pour vérifier le centre de gravité. Repositionner le point de levage s'il n'est pas de niveau.

 **AVERTISSEMENT****TENSION DANGEREUSE**

Les variateurs contiennent une tension dangereuse lorsqu'ils sont connectés à l'alimentation CA ou CC. Le non-respect de la réalisation de l'installation, du démarrage et de la maintenance par du personnel qualifié peut entraîner la mort ou des blessures graves.

- L'installation, le démarrage et la maintenance doivent uniquement être effectués par du personnel qualifié.

 **AVERTISSEMENT****TEMPS DE DÉCHARGE**

Le variateur contient des condensateurs de bus CC qui peuvent rester chargés même lorsque le variateur n'est pas alimenté. Une haute tension peut être présente même lorsque les voyants d'avertissement sont éteints. Le non-respect du temps d'attente spécifié après la mise hors tension avant un entretien ou une réparation peut entraîner des blessures graves, voire mortelles.

- Arrêter le moteur.
- Débrancher toutes les sources d'alimentation, y compris les moteurs à magnétisation permanente.
- Attendre que les condensateurs soient complètement déchargés. Le temps de décharge est indiqué sur la plaque signalétique du variateur.
- Mesurer le niveau de tension pour garantir une décharge complète.

 **AVERTISSEMENT****DÉMARRAGE IMPRÉVU**

Lorsque le variateur est raccordé au réseau CA ou aux bornes CC, le moteur peut démarrer à tout moment, ce qui peut entraîner un risque de mort, de blessures graves ou de dégâts matériels.

- Arrêter le variateur et le moteur avant de configurer les paramètres.
- S'assurer que le variateur ne peut pas être démarré par un commutateur externe, une commande de bus de terrain, un signal de référence d'entrée provenant du panneau de commande, ou après la suppression d'une condition de défaut.
- Débrancher le variateur du réseau si la sécurité des personnes l'exige, afin d'éviter un démarrage imprévu du moteur.
- Vérifier que le variateur, le moteur et tout équipement entraîné sont prêts à fonctionner.

 **ATTENTION****DANGER DE PANNE INTERNE**

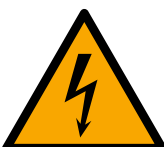
Une panne interne dans le variateur peut entraîner des blessures graves si le variateur n'est pas correctement fermé.

- Avant d'appliquer de la puissance, s'assurer que tous les caches de sécurité sont en place et fermement fixés.

 **AVERTISSEMENT****RISQUE DE CHOC ÉLECTRIQUE ET D'INCENDIE**

Le variateur peut entraîner un courant CC dans le conducteur de terre. Si un relais de protection différentielle (RCD) de type B n'est pas utilisé, il se peut que le RCD ne fournisse pas la protection prévue, ce qui peut entraîner la mort, des incendies ou d'autres dangers graves.

- Utiliser un RCD.
- Lorsqu'un RCD est utilisé comme protection contre les chocs électriques ou les incendies, utiliser uniquement un dispositif de type B du côté alimentation.

 **AVERTISSEMENT****TENSION INDUITE**

La tension induite des câbles moteur de sortie acheminés ensemble peut charger les condensateurs de l'équipement, même lorsque l'équipement est hors tension et verrouillé/étiqueté. Le fait de ne pas acheminer les câbles moteur de sortie séparément ou de ne pas utiliser de câbles blindés peut entraîner la mort ou des blessures graves.

- Acheminer séparément les câbles moteur de sortie ou utiliser des câbles blindés.
- Verrouiller/étiqueter tous les variateurs en même temps.

 **AVERTISSEMENT**
**RISQUE DE CHOC ÉLECTRIQUE**

En raison de la capacité parasite du câble moteur blindé, les courants de fuite sont supérieurs à 3,5 mA. Le fait de ne pas mettre correctement le variateur à la terre peut entraîner la mort ou des blessures graves.

- S'assurer que la taille minimale du conducteur de terre est conforme aux réglementations de sécurité locales relatives aux équipements à courant de contact élevé.
- Utiliser un conducteur de terre renforcé conformément à la norme CEI 60364-5-54 cl. 543.7 ou aux réglementations de sécurité locales relatives aux équipements avec un courant de fuite >3,5 mA.
- Pour une mise à la terre renforcée :

Utiliser un conducteur de terre d'une section minimale de 10 mm² (8 AWG) Cu ou 16 mm² (6 AWG) Al, ou un conducteur de terre supplémentaire de la même section que le conducteur de terre d'origine tel que spécifié par la norme CEI 60364-5-54, avec une section minimale de 2,5 mm² (14 AWG) à protection mécanique ou de 4 mm² (12 AWG) sans protection mécanique.

Utiliser un conducteur de terre à l'intérieur d'une protection ou protégé sur toute sa longueur contre les dommages mécaniques.

Utiliser un conducteur de terre qui fait partie d'un câble de puissance multiconducteur avec une section de conducteur PE minimale de 2,5 mm² (14 AWG) et qui est raccordé à demeure ou branché au moyen d'un connecteur industriel. Le câble de puissance multiconducteur doit être installé avec un serre-câble approprié.

 **ATTENTION**
ISOLATION THERMISTANCE

Risque de blessures ou d'endommagement de l'équipement.

- Pour répondre aux exigences d'isolation PELV, utiliser uniquement des thermistances à isolation renforcée ou double.

REMARQUE**CHALEUR EXCESSIVE ET DÉGÂTS MATÉRIELS**

Une surintensité peut produire une chaleur excessive dans le variateur. Si une protection contre les surintensités n'est pas prévue, cela peut entraîner un risque d'incendie et des dégâts matériels.

- Des dispositifs de protection supplémentaires, tels qu'une protection thermique du moteur ou une protection contre les courts-circuits entre le variateur de fréquence et le moteur, sont requis pour les applications multi-moteurs.
- Des fusibles d'entrée sont nécessaires pour assurer une protection contre les courts-circuits et les surcourants. S'ils ne sont pas installés en usine, les fusibles doivent être fournis par l'installateur. Se reporter à la documentation spécifique au produit pour les spécifications des fusibles.

REMARQUE**DÉGÂTS MATÉRIELS**

La protection contre les surcharges du moteur n'est pas activée par défaut. En l'absence de réglage de la fonction ETR, la protection du moteur contre la surcharge n'est pas assurée et des dommages matériels peuvent survenir en cas de surchauffe du moteur.

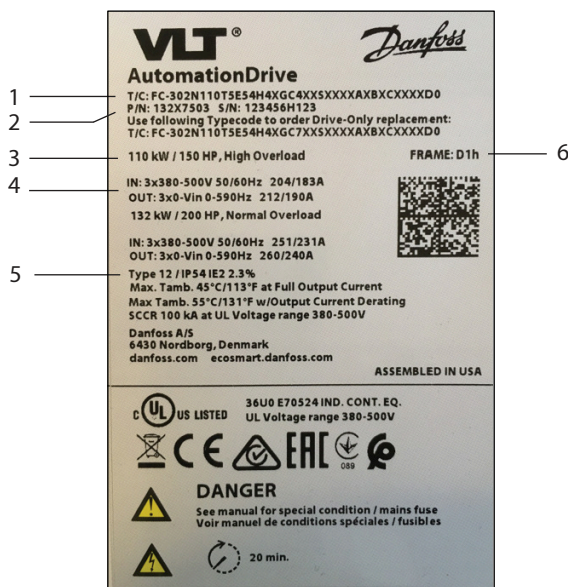
- Pour fournir une protection du moteur contre la surcharge de classe 20, activer la fonction ETR. Pour plus d'informations, se reporter au guide de programmation.

1.4 Outils nécessaires

- Aide au levage
- Ruban à mesurer
- Foret avec mèches assorties
- Tournevis (Torx, Phillips, à fente)
- Clé avec douilles de 7-17 mm
- Extensions de douille
- Poinçon pour tôle et/ou pince
- Pince à sertir

1.5 Vérification du paquet et de son contenu

Vérifier que les éléments fournis et les informations de l'étiquette du produit correspondent à la commande. L'étiquette du produit se trouve sur l'extérieur du variateur.



e30bb076.10

Français

Illustration 1: Exemple d'étiquette de produit

1	Code type	2	Référence et numéro de série
3	Dimensionnement puissance	4	Entrées/sorties Tension, fréquence et courant
5	Classe de protection du variateur	6	Taille du boîtier de protection

1.6 Installation conforme aux critères CEM

Pour plus d'informations, se reporter au manuel d'utilisation ou de configuration.

- Utiliser des câbles blindés pour la sortie du moteur (des câbles non blindés dans un conduit métallique sont acceptables), le frein, CC et le câblage de commande.
- Veiller à utiliser des câbles moteur, du frein et CC aussi courts que possible pour réduire le niveau d'interférences émises par le système dans son ensemble. Prévoir un espace d'au moins 200 mm (7,9 po) entre l'entrée réseau, les câbles moteur et les câbles de commande.

- Acheminer les courants vers le variateur à l'aide d'une plaque de montage métallique et de brides de raccordement CEM appropriées. Assurer un bon contact électrique entre la plaque de montage et le châssis métallique de la protection en passant par les vis de montage.
- Si les points de raccordement du blindage présentent une différence de potentiel de tension, connecter un fil d'égalisation à faible impédance parallèle au câble blindé.
- En cas d'utilisation de relais, de câbles de commande, d'une interface signal, d'un bus de terrain ou d'un frein, raccorder le blindage au coffret aux deux extrémités. Si le chemin de mise à la terre présente une impédance élevée, est bruyant ou est porteur de courant, rompre le raccordement du blindage à une extrémité pour éviter des boucles de courant à la terre.

1.7 Installation du variateur

AVERTISSEMENT



RISQUE DE CHOC

Tout contact avec un moteur non couvert, l'alimentation réseau, une fiche de raccordement CC ou une borne peut entraîner des blessures graves, voire mortelles.

- Tous les connecteurs et capots de protection des bornes pour les connexions du moteur, du réseau et CC doivent être installés dans la protection IP20 pour assurer une classe de protection IP20. Si la fiche et les caches du bornier ne sont pas installés, la classe de protection est considérée IP00.

L'emplacement d'installation est important. Le courant de sortie total est disponible lorsque les conditions d'installation suivantes sont remplies. Pour les températures et altitudes en dehors de cette plage, se reporter au chapitre Déclassement dans le manuel de configuration du produit.

- Température ambiante maximale : 45 °C (113 °F) en moyenne sur 24 heures et 50 °C (122 °F) pendant 1 heure.
- Température ambiante minimale : 0 °C (32 °F).
- Altitude < 1 000 m (3 280 ft) au-dessus du niveau de la mer.

1. Identifier la taille du boîtier de protection. Voir l'illustration 1.
2. Identifier toutes les options nécessitant un câblage et une configuration supplémentaires à l'aide du code type. Voir l'étape 1 de la section Illustrations.

Le code QR figurant sur le capot permet d'ouvrir la page de recherche de documentation. Utiliser le numéro d'option pour rechercher la documentation correspondante. Par exemple, utiliser MCA 120 pour rechercher la documentation sur le VLT® PROFINET MCA 120.

3. S'assurer que l'environnement de fonctionnement et l'installation électrique répondent aux normes suivantes.
 - a. Intérieur non climatisé/degré de pollution 2.
 - b. Catégorie de surtension 3.
4. Examiner le schéma de câblage. Voir l'étape 2 de la section Illustrations.

L'ensemble du câblage doit être conforme aux réglementations nationales et locales en matière de sections de câble et de température ambiante. Des raccordements desserrés peuvent être à l'origine de défauts de l'équipement ou d'une baisse des performances. Serrer les bornes en respectant le couple de serrage approprié indiqué à l'étape 9 de la section Illustrations.

5. Vérifier les spécifications des fusibles. Voir l'étape 3 de la section Illustrations.

L'utilisation du variateur convient sur un circuit capable de délivrer un courant nominal de court-circuit (SCCR) allant jusqu'à 100 kA à 480/600 V. Pour les caractéristiques nominales du disjoncteur et du commutateur SCCR, se reporter au manuel de configuration du produit.

6. Examiner les spécifications du câble de puissance. Voir l'étape 4 de la section Illustrations.

Utiliser un fil de cuivre d'une valeur nominale minimale de 70 °C (158 °F). Pour les câbles en aluminium, se reporter au manuel de configuration du produit.

7. Installer le variateur en suivant les étapes numérotées de la section Illustrations. Certaines illustrations/étapes concernent des tailles spécifiques de boîtier de protection et sont signalées comme telles.
 - a. Fixer les éléments du sac d'accessoires au variateur (étape 5).
 - b. Monter le variateur sur ou contre une surface de montage solide et non combustible, comme du béton ou du métal (étape 6). Assurer un refroidissement correct en laissant un dégagement minimum au-dessus et en dessous du variateur.

Les D3h-D4h sont montés sur le mur, les D1h-D2h et D5h-D6h sont montés sur le mur ou sur le sol et les D7h-D8h sont montés sur le sol.

- c. Créer des ouvertures de câble dans la plaque d'entrée des câbles (étape 7).
 - d. Installer le câblage de commande (étape 8).
 - e. Installer le câblage du moteur, du réseau et de terre (étape 9).
 - f. Acheminer les câbles de commande vers le côté gauche du variateur.
8. Fixer solidement le capot au variateur.
 9. Effectuer la configuration initiale du variateur et du moteur. Consulter le guide de programmation du produit concerné.

Les options de sécurité fonctionnelles nécessitent un câblage et un paramétrage supplémentaires. Voir le manuel d'utilisation de la sécurité fonctionnelle spécifique, tel que le manuel d'utilisation de la fonction Safe Torque Off, pour plus d'informations sur l'installation de l'option de sécurité.

1.8 Mode incendie/urgence

En cas de fonctionnement en mode incendie/urgence, le variateur de fréquence peut être programmé pour se sacrifier afin que les applications (par exemple, la ventilation ou les pompes à eau) continuent de fonctionner aussi longtemps que possible.

Avant d'activer le mode incendie/urgence, s'assurer que tous les paramètres pertinents pour le moteur et l'application sont correctement configurés. Danfoss recommande de faire fonctionner l'application de la vitesse minimale à la vitesse maximale, puis d'arrêter complètement l'application pour vérifier qu'elle fonctionne correctement sans déclencher d'avertissement ou d'alarme sur le panneau de commande local. Le non-respect de cette étape avant l'activation du mode incendie/urgence peut entraîner une perte de la garantie. Pour plus d'instructions concernant la configuration du mode incendie/urgence, voir le **groupe de paramètres 24-** Fonct. application 2** dans le guide de programmation du VLT ou contacter le bureau Danfoss local.

1.9 Pertes de puissance et rendement

Pour les données de perte de puissance, y compris les pertes à charge partielle, voir <https://ecosmart.mydrive.danfoss.com>.

1 Installazione

1.1 Personale qualificato

Solo il personale qualificato è autorizzato a installare, mettere in funzione e mantenere i convertitori di frequenza Danfoss. Con personale qualificato si intendono coloro che hanno familiarità con il convertitore di frequenza e sono autorizzati a montarlo e a cablarlo in conformità con le leggi e i regolamenti pertinenti. Inoltre, il personale qualificato deve avere dimestichezza con tutte le istruzioni e le misure di sicurezza descritte in questa guida di installazione.

1.2 Simboli di sicurezza

Nella presente guida vengono usati i seguenti simboli:

PERICOLO

Indica una situazione potenzialmente pericolosa che, se non evitata, causa morte o lesioni gravi.

AVVISO

Indica una situazione potenzialmente pericolosa che, se non evitata, può causare morte o lesioni gravi.

ATTENZIONE

Indica una situazione potenzialmente pericolosa che, se non evitata, può causare lesioni lievi o modeste.

NOTA

Indica informazioni considerate importanti, ma non inerenti al pericolo (ad esempio messaggi relativi a danni materiali).

1.3 Precauzioni di sicurezza

AVVISO



MANCANZA DI CONSAPEVOLEZZA IN MATERIA DI SICUREZZA

Prima di iniziare l'installazione, leggere tutte le linee guida di sicurezza e le precauzioni contenute nella presente guida di installazione. È possibile accedere alla documentazione aggiuntiva, come la guida operativa specifica del prodotto, la guida alla progettazione e la guida alla programmazione, nonché le guide alla sicurezza funzionale, scansionando il codice QR sulla copertina. Gli strumenti per PC e MyDrive® ecoSmart™ possono essere scaricati all'indirizzo www.danfoss.com.

Questa guida fornisce informazioni importanti sulla prevenzione di lesioni e danni all'apparecchiatura o al sistema. Ignorare queste informazioni può causare morte, lesioni gravi o danni gravi all'apparecchiatura.

- Assicurarsi di comprendere appieno i pericoli e le misure di sicurezza presenti nell'applicazione.
- Prima di eseguire qualsiasi lavoro elettrico sul convertitore di frequenza, bloccare e segnalare tutte le fonti di alimentazione al convertitore stesso.

 **AVVISO****SOLLEVAMENTO CARICO PESANTE**

Il convertitore di frequenza è pesante. Il sollevamento scorretto di oggetti pesanti può causare morte, lesioni o danni materiali.

- Attenersi alle norme di sicurezza locali in materia di sollevamento.
- Verificare il peso del convertitore di frequenza. Il peso è indicato all'esterno della scatola di spedizione.
- Se si utilizzano dispositivi di sollevamento, assicurarsi che siano in condizioni operative adeguate e che possano sollevare in sicurezza il peso del convertitore di frequenza.
- Sollevare il convertitore di frequenza per verificare il corretto baricentro. Riposizionare il punto di sollevamento se l'unità non è in piano.

 **AVVISO****TENSIONE PERICOLOSA**

I convertitori di frequenza contengono tensioni pericolose quando collegati alla rete CA o CC. Se l'installazione, l'avviamento e la manutenzione non vengono eseguiti da personale qualificato, potrebbero presentarsi rischi di lesioni gravi o mortali.

- L'installazione, l'avviamento e la manutenzione devono essere effettuati esclusivamente da personale qualificato.

 **AVVISO****TEMPO DI SCARICA**

Il convertitore di frequenza contiene condensatori del collegamento CC che possono rimanere carichi anche quando il convertitore non è alimentato. Dopo lo spegnimento delle spie luminose può essere ancora presente alta tensione. Il mancato rispetto del tempo di attesa indicato dopo il disinserimento dell'alimentazione e prima di effettuare lavori di manutenzione o di riparazione può causare lesioni gravi o mortali.

- Arrestare il motore
- Scollegare tutte le fonti di alimentazione, inclusi i motori del tipo a magneti permanenti.
- Attendere che i condensatori si scarichino completamente. Il tempo di scarica è indicato sulla targa del convertitore di frequenza.
- Misurare il livello di tensione per verificare che la scarica sia completa.

 **AVVISO****AVVIO INVOLONTARIO**

Quando il convertitore di frequenza è collegato alla rete CA o ai morsetti CC, il motore può avviarsi in qualsiasi momento, determinando il rischio di morte, lesioni gravi, danni all'apparecchiatura o alle cose.

- Arrestare il convertitore di frequenza e il motore prima di configurare i parametri.
- Assicurarsi che il convertitore di frequenza non possa essere avviato tramite un interruttore esterno, un comando bus di campo, un segnale di riferimento in ingresso dal pannello di controllo, né dopo il ripristino di una condizione di guasto.
- Scollegare il convertitore di frequenza dalla rete elettrica se per motivi di sicurezza è necessario evitare un avviamento del motore involontario.
- Controllare che il drive, il motore e ogni apparecchiatura azionata siano pronti per il funzionamento.

 **ATTENZIONE****RISCHIO DI GUASTO INTERNO**

Un guasto interno nel convertitore di frequenza può provocare gravi lesioni se il convertitore di frequenza non è chiuso correttamente.

- Prima di applicare corrente elettrica, assicurarsi che tutte le coperture di sicurezza siano al loro posto e fissate in modo sicuro.

 **AVVISO****PERICOLO DI SCOSSE ELETTRICHE E INCENDIO**

Il convertitore di frequenza può provocare una corrente CC nel conduttore di terra. In caso di mancato utilizzo di un dispositivo di protezione a corrente residua (RCD) di tipo B, l'RCD può non fornire la protezione prevista e pertanto comportare morte, incendio o altri gravi rischi.

- Utilizzare un dispositivo RCD.
- Se si utilizza un RCD come protezione da scosse elettriche o incendio, prevedere un solo dispositivo di tipo B sul lato di alimentazione.

 **AVVISO****TENSIONE INDOTTA**

La tensione indotta da cavi motore di uscita posati insieme può caricare i condensatori dell'apparecchiatura anche quando questa è spenta e disinserita. Il mancato rispetto della posa separata dei cavi di uscita del motore o dell'uso di cavi schermati può causare morte o lesioni gravi.

- Posare i cavi motore di uscita separatamente o usare cavi schermati.
- Disinserire simultaneamente tutti i convertitori di frequenza.

 **AVVISO**
**PERICOLO SCOSSE ELETTRICHE**

La capacità parassita del cavo motore schermato determina correnti di dispersione superiori a 3,5 mA. Una messa a terra non appropriata del convertitore di frequenza può causare morte o lesioni gravi.

- Assicurarsi che le dimensioni minime del conduttore di terra siano conformi alle norme di sicurezza locali per apparecchiature con considerevole corrente di dispersione.
- Utilizzare un conduttore di terra rinforzato in conformità con la norma IEC 60364-5-54 cl. 543.7 o con le norme di sicurezza locali per apparecchiature con corrente di dispersione >3,5 mA.
- Per la messa a terra rinforzata:

Utilizzare un conduttore di terra con una sezione trasversale di almeno 10 mm² (8 AWG) in rame o 16 mm² (6 AWG) in alluminio, oppure un conduttore di terra aggiuntivo della stessa area della sezione trasversale del conduttore di terra originale come specificato dalla norma IEC 60364-5-54, con una sezione trasversale minima di 2,5 mm² (14 AWG) protetto meccanicamente o 4 mm² (12 AWG) non protetto meccanicamente.

Utilizzare un conduttore di terra all'interno di un contenitore o comunque protetto per tutta la lunghezza da danni meccanici.

Utilizzare un conduttore di terra inserito in un cavo di potenza multiconduttore con una sezione trasversale minima del conduttore PE di 2,5 mm² (14 AWG) che sia permanentemente collegato o collegato da un connettore industriale. Il cavo di potenza a più conduttori deve essere installato con un pressacavo adeguato.

 **ATTENZIONE**
ISOLAMENTO TERMISTORE

Rischio di lesioni personali o di danni alle apparecchiature.

- Per soddisfare i requisiti di isolamento PELV, utilizzare solo termistori con isolamento rinforzato o doppio.

NOTA**CALORE ECCESSIVO E DANNI MATERIALI**

La sovracorrente può generare calore eccessivo all'interno del drive. La mancata applicazione di protezione da sovracorrente può provocare rischio di incendi e danni materiali.

- Dispositivi di protezione aggiuntivi come una protezione da cortocircuito o la protezione termica del motore tra il drive e il motore sono richiesti per applicazioni con motori multipli.
- Sono necessari fusibili di ingresso per fornire una protezione da cortocircuito e da sovracorrente. Se non sono stati installati in fabbrica, i fusibili devono comunque essere forniti dall'installatore. Fare riferimento alla documentazione specifica del prodotto per le specifiche dei fusibili.

NOTA**DANNI ALLE COSE**

La protezione da sovraccarico motore non è attiva per impostazione predefinita. La mancata impostazione della funzione ETR significa non proteggere i motori da sovraccarico, con possibili danni alle cose in caso di surriscaldamento del motore.

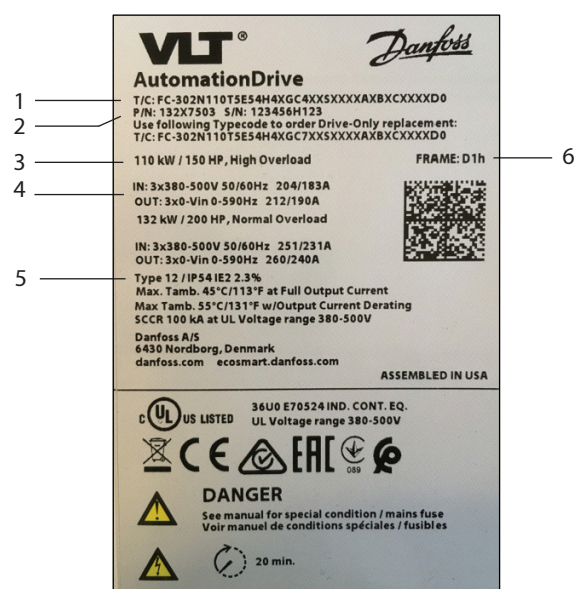
- Per fornire una protezione da sovraccarico motore classe 20, abilitare la funzione ETR. Per ulteriori informazioni vedere la Guida alla Programmazione.

1.4 Utensili richiesti

- Ausilio di sollevamento
- Metro a nastro
- Trapano con punte assortite
- Cacciaviti (torx, Phillips, a lama piatta)
- Brugola con bussole da 7–17 mm
- Estensioni prese
- Punzone e/o pinza per lamiera
- Crimpatrice per cavi

1.5 Verifica della spedizione e del suo contenuto

Assicurarsi che gli elementi forniti e le informazioni sull'etichetta corrispondano all'ordine. L'etichetta del prodotto si trova all'esterno del convertitore di frequenza.



e30bb076.10

Figura 1: Esempio di etichetta di un prodotto

1	Codice	2	Codice articolo e numero seriale
3	Potenza nominale	4	Tensione, frequenza e corrente di ingresso/uscita
5	Grado di protezione contenitore	6	Dimensioni meccaniche

1.6 Impianto conforme ai requisiti EMC

Per maggiori informazioni, consultare la guida operativa o la guida alla progettazione.

- Usare cavi schermati per l'uscita motore (sono ammessi cavi non schermati in canaline metalliche), il freno, i cavi CC e i cavi di controllo.
- Assicurarsi che i cavi motore, i cavi del freno e i cavi CC siano il più possibile corti per ridurre il livello di interferenza dell'intero sistema. Fornire uno spazio minimo di 200 mm (7,9 pollici) tra cavi di ingresso della rete, cavi motore e cavi di comando.

- Ricondurre le correnti al convertitore di frequenza utilizzando una piastra di montaggio metallica e appositi pressacavi di collegamento EMC. Assicurare un buon contatto elettrico dalla piastra di montaggio al frame metallico del contenitore per mezzo delle viti di montaggio.
- Se i punti di collegamento dello schermo presentano potenziali di tensione differenti, collegare un filo di equalizzazione a bassa impedenza parallelamente al cavo schermato.
- Se si utilizzano relè, cavi di comando, un'interfaccia di segnale, bus di campo o freno collegare lo schermo al contenitore su entrambe le estremità. Se il percorso a terra ha un'impedenza elevata, provoca disturbo o trasporta corrente, interrompere il collegamento dello schermo a una delle estremità per evitare correnti di terra ad anello.

1.7 Installazione del convertitore di frequenza

AVVISO



PERICOLO DI SCOSSE

Toccare un motore, una rete, una connettore di collegamento CC o un morsetto scoperto può causare la morte o lesioni gravi.

- Per ottenere un grado di protezione IP20, è necessario che tutti i tappi e i coprimorsetti di protezione per i collegamenti del motore, della rete e CC siano installati all'interno del contenitore IP20. Se il tappo e i coprimorsetti non sono installati, il grado di protezione è IP00.

La posizione di installazione è importante. La piena corrente di uscita è disponibile quando sono soddisfatte le seguenti condizioni di installazione. Per temperature e altitudini al di fuori di questo intervallo, consultare le sezioni Declassamento nella Guida alla Progettazione specifica del prodotto.

- Temperatura ambiente massima: 45 °C (113 °F) in media nelle 24 ore e 50 °C (122 °F) per 1 ora.
 - Temperatura ambiente minima: 0 °C (32 °F).
 - Altitudine <1.000 m (3.280 piedi) sopra il livello del mare.
1. Identificare le dimensioni del contenitore. Vedere la figura 1.
 2. Identificare eventuali opzioni che richiedono un cablaggio e una configurazione aggiuntivi utilizzando il codice tipo. Vedere il passaggio 1 nella sezione Illustrazioni.

Tramite la scansione del codice QR sulla copertina si apre la pagina di ricerca della documentazione. Utilizzare il numero dell'opzione per cercare la documentazione correlata. Ad esempio, utilizzare MCA 120 per cercare la documentazione relativa a VLT® PROFINET MCA 120.

3. Assicurarsi che l'ambiente operativo e l'installazione elettrica soddisfino i seguenti standard.
 - a. Interni non condizionati/grado di inquinamento 2.
 - b. Categoria di sovratensione 3.
4. Esaminare lo schema elettrico. Vedere il passaggio 2 nella sezione Illustrazioni.

Tutti i fili devono essere conformi alle norme locali e nazionali relative ai requisiti in termini di sezioni trasversali e temperature ambiente. Collegamenti allentati possono causare guasti all'apparecchiatura o prestazioni ridotte. Serrare i morsetti secondo il valore di coppia corretto mostrato nel passaggio 9 della sezione Illustrazioni.

5. Rivedere le specifiche dei fusibili. Vedere il passaggio 3 della sezione Illustrazioni.

Questo convertitore di frequenza può essere adatto per l'uso su un circuito in grado di fornire 100 kA di corrente nominale di cortocircuito (SCCR) a 480/600 V. Per i valori nominali dell'interruttore e dell'SCCR dell'interruttore, vedere la Guida alla Progettazione specifica del prodotto.

6. Rivedere le specifiche del cavo di potenza. Vedere il passaggio 4 della sezione Illustrazioni.

Utilizzare un filo di rame con una resistenza minima di 70 °C (158 °F). Per il filo di alluminio, consultare la Guida alla Progettazione specifica del prodotto.

7. Installare il convertitore di frequenza seguendo i passaggi numerati della sezione Illustrazioni. Alcune illustrazioni si riferiscono a dimensioni meccaniche specifiche e sono contrassegnate come tali.

- a. Fissare al convertitore di frequenza i componenti della busta per accessori (passaggio 5).
- b. Montare il convertitore di frequenza su o contro una superficie di montaggio solida e non combustibile, come cemento o metallo (passaggio 6). Assicurare un corretto raffreddamento fornendo uno spazio minimo sopra e sotto il convertitore di frequenza.

I modelli D3h-D4h sono montati a parete, i modelli D1h-D2h e D5h-D6h sono montati a parete o a pavimento, mentre i modelli D7h-D8h sono montati a pavimento.

- c. Praticare delle aperture per il cavo nella piastra ingresso cavo (passaggio 7).
 - d. Installare i cavi di controllo (passaggio 8).
 - e. Installare i cavi motore, di rete e di messa a terra (passaggio 9).
 - f. Posare i cavi di comando verso il lato sinistro del convertitore di frequenza.
8. Fissare saldamente il coperchio al convertitore di frequenza.
9. Eseguire l'impostazione iniziale del convertitore di frequenza e del motore. Consultare la Guida alla Programmazione specifica del prodotto.

Le opzioni di sicurezza funzionale richiedono un cablaggio supplementare e la configurazione dei parametri. Vedere la guida operativa specifica sulla sicurezza funzionale, come la Guida operativa Safe Torque Off, per maggiori informazioni sull'installazione dell'opzione di sicurezza.

1.8 Modalità incendio/emergenza

Durante il funzionamento in modalità incendio/emergenza, il convertitore di frequenza può essere programmato per sacrificarsi in modo che le applicazioni (ad esempio la ventilazione o le pompe dell'acqua) continuino a funzionare il più a lungo possibile.

Prima di attivare la modalità incendio/emergenza, assicurarsi che tutti i parametri rilevanti per il motore e l'applicazione siano configurati correttamente. Danfoss consiglia di far funzionare l'applicazione dalla velocità minima a quella massima e quindi di arrestarla completamente per verificare che funzioni correttamente senza attivare avvisi o allarmi sul pannello di controllo locale. Il mancato completamento di questo passaggio prima dell'attivazione della modalità incendio/emergenza può comportare la perdita della garanzia. Per ulteriori istruzioni sulla configurazione della modalità incendio/emergenza, vedere il **gruppo di parametri 24-** Funzioni dell'applicazione 2** Danfoss nella Guida alla Programmazione VLT o contattare l'ufficio locale.

1.9 Perdite di potenza ed efficienza

Per i dati sulle perdite di potenza, quali le perdite di carico parziali, vedere <https://ecosmart.mydrive.danfoss.com>.

1 Installatie

1.1 Gekwalificeerd personeel

De installatie, inbedrijfstelling en bediening van Danfoss frequentieregelaars mogen uitsluitend worden uitgevoerd door gekwalificeerd personeel. Gekwalificeerd personeel wordt gedefinieerd als opgeleide personen die vertrouwd zijn met en bevoegd zijn om de frequentieregelaar te monteren en te bedraden volgens de relevante wetten en voorschriften. Het gekwalificeerde personeel moet eveneens op de hoogte zijn van de instructies en veiligheidsmaatregelen die in deze installatiehandleiding staan beschreven.

1.2 Veiligheidssymbolen

In dit document worden de volgende symbolen gebruikt:

GEVAAR

Geeft een gevaarlijke situatie aan die, als die niet wordt vermeden, leidt tot ernstig of dodelijk letsel.

WAARSCHUWING

Geeft een gevaarlijke situatie aan die, als die niet wordt vermeden, kan leiden tot ernstig of dodelijk letsel.

WAARSCHUWING

Geeft een gevaarlijke situatie aan die, als die niet wordt vermeden, kan leiden tot licht of matig letsel.

LET OP

Geeft informatie aan die belangrijk wordt geacht maar niet verband houdt met gevaar (zoals meldingen in verband met materiële schade).

1.3 Veiligheidsmaatregelen

WAARSCHUWING



ONVOLDOENDE VEILIGHEIDSBEWUSTZIJN

Lees alle veiligheidsrichtlijnen en voorzorgsmaatregelen in deze installatiehandleiding door voordat u de installatie gaat uitvoeren. Aanvullende documentatie, zoals de productspecifieke bedieningshandleiding, design guide en programmeerhandleiding, en de handleidingen over functionele veiligheid, zijn toegankelijk door de QR-code op het frontpaneel te scannen. Pc-tools en MyDrive® ecoSmart™ kunnen worden gedownload op www.danfoss.com.

Deze handleiding bevat belangrijke informatie over het voorkomen van lichamelijk letsel en schade aan de apparatuur of het systeem. Het negeren van deze informatie kan leiden tot ernstig of dodelijk letsel of ernstige schade aan de apparatuur.

- Zorg ervoor dat u de gevaren en veiligheidsmaatregelen in de toepassing volledig begrijpt.
- Voordat u elektrische werkzaamheden aan de frequentieregelaar uitvoert, moet u alle voedingen naar de frequentieregelaar onderbreken volgens de lockout-tagout-procedure.

 **WAARSCHUWING****ZWARE LASTEN TILLEN**

De frequentieregelaar is zwaar. Verkeerd tillen van zware voorwerpen kan leiden tot lichamelijk letsel, de dood of materiële schade.

- Volg de lokale veiligheidsvoorschriften voor tillen op.
- Controleer het gewicht van de frequentieregelaar. Het gewicht wordt aangegeven op de buitenzijde van de verzenddoos.
- Als u hijsapparatuur gebruikt, moet u ervoor zorgen dat die in goede staat verkeert en het gewicht van de frequentieregelaar veilig kan hijsen.
- Hijs de frequentieregelaar bij wijze van test iets omhoog om het juiste zwaartepunt te bepalen. Verplaats het hijspunt als de frequentieregelaar niet waterpas is.

 **WAARSCHUWING****GEVAARLIJKE SPANNING**

Frequentieregelaars bevatten gevaarlijke spanning wanneer ze zijn aangesloten op gelijk- of wisselstroom. Als installatie, opstarten en onderhoud niet worden uitgevoerd door gekwalificeerd personeel, kan dat leiden tot ernstig of dodelijk letsel.

- Installatie, opstarten en onderhoud mogen uitsluitend worden uitgevoerd door gekwalificeerd personeel.

 **WAARSCHUWING****ONTLADINGSTIJD**

De frequentieregelaar bevat DC-tussenkringcondensatoren die geladen kunnen blijven, ook wanneer de frequentieregelaar niet van spanning wordt voorzien. Er kan hoge spanning aanwezig zijn, ook als de waarschuwingslampjes niet branden. Als u de aangegeven wachttijd na afschakeling niet in acht neemt voordat u onderhouds- of reparatiewerkzaamheden uitvoert, kan dat leiden tot ernstig of dodelijk letsel.

- Stop de motor
- Koppel alle voedingsbronnen los, inclusief die van permanentmagneetmotoren.
- Wacht tot de condensatoren volledig ontladen zijn. De ontladingstijd is vermeld op het typeplaatje van de frequentieregelaar.
- Meet het spanningsniveau om te controleren op volledige ontlading.

 **WAARSCHUWING****ONBEDOELDE START**

Wanneer de frequentieregelaar is aangesloten op de DC-klemmen, kan de motor op elk moment starten, wat kan leiden tot ernstig of dodelijk letsel of tot schade aan apparatuur of eigendommen.

- Stop de frequentieregelaar en de motor voordat u parameters gaat configureren.
- Verzekert dat de motor niet kan worden gestart door een externe schakelaar, een veldbuscommando, een ingangsreferentiesignaal vanaf het bedieningspaneel of door het opheffen van een foutconditie.
- Onderbreek de netvoeding naar de frequentieregelaar altijd wanneer een onbedoelde motorstart moet worden voorkomen vanwege de veiligheid.
- Controleer of de frequentieregelaar, motor en alle aangedreven werktuigen bedrijfsklaar zijn.

 **WAARSCHUWING****GEVAAR BIJ INTERNE FOUT**

Een interne fout in de frequentieregelaar kan leiden tot ernstig letsel als de frequentieregelaar niet goed is gesloten.

- Controleer voordat u de spanning inschakelt of alle veiligheidsafdekkingen op hun plaats zitten en stevig zijn vastgezet.

 **WAARSCHUWING****GEVAAR VOOR ELEKTRISCHE SCHOKKEN EN BRAND**

De frequentieregelaar kan een DC-stroom veroorzaken in de aardgeleider. Als er geen reststroomapparaat (RCD) van type B wordt gebruikt als beveiliging tegen elektrische schokken, zal de RCD mogelijk niet de beoogde beveiliging bieden, wat kan leiden tot dodelijk letsel, brand of andere ernstige gevaren.

- Gebruik een RCD-apparaat.
- Bij gebruik van een RCD als beveiliging tegen elektrische schokken of brand mag aan de voedingszijde van dit product uitsluitend een RCD van type B worden gebruikt.

 **WAARSCHUWING****GEÏNDUCEERDE SPANNING**

Door geïnduceerde spanning vanuit motorkabels die bij elkaar in de buurt lopen, kunnen de condensatoren van de apparatuur worden opgeladen, ook wanneer die apparatuur is uitgeschakeld en vergrendeld (lockout-tagout). Wanneer u de motorkabels niet van elkaar gescheiden houdt en ook geen afgeschermd kabels gebruikt, kan dat leiden tot ernstig of dodelijk letsel.

- Houd motorkabels van elkaar gescheiden of gebruik afgeschermd kabels.
- Vergrendel alle frequentieregelaars tegelijk (lockout-tagout).

 **WAARSCHUWING**
**GEVAAR VOOR ELEKTRISCHE SCHOKKEN**

Vanwege de parasitaire capaciteit van de afgeschermdde motorkabels zijn de lekstromen groter dan 3,5 mA. Een onjuiste aarding van de frequentieregelaar kan leiden tot ernstig of dodelijk letsel.

- Zorg ervoor dat de minimumafmetingen van de aardgeleider voldoet aan de lokale veiligheidsvoorschriften voor apparatuur met hoge aanraakstroom.
- Gebruik een versterkte aardleiding overeenkomstig IEC 60364-5-54 bepaling 543.7 of lokale veiligheidsvoorschriften voor apparatuur met lekstroom > 3,5 mA.
- Voor versterkte aarding:

gebruik een aardleiding met een doorsnede van minimaal 10 mm² (8 AWG) Cu of 16 mm² (6 AWG) Al, of een extra aardgeleider met dezelfde doorsnede als de originele aardgeleider zoals gespecificeerd in IEC 60364-5-54, met een minimale doorsnede van 2,5 mm² (14 AWG) met mechanische beveiliging of 4 mm² (12 AWG) zonder mechanische beveiliging.

Gebruik een aardgeleider die omsloten is door een behuizing of op andere wijze over de gehele lengte beschermd is tegen mechanische schade.

Gebruik een aardleiding van een meeraderige voedingskabel met een minimale PE-geleiderdoorsnede van 2,5 mm² (14 AWG) die permanent of via een industriële connector is aangesloten. De meeraderige voedingskabel moet worden geïnstalleerd met een adequate trekcontasting.

 **WAARSCHUWING**
THERMISTORISOLATIE

Er bestaat een risico op lichamelijke letsel of schade aan apparatuur.

- Om te voldoen aan de PELV-isolatievereisten, moeten thermistors zijn voorzien van versterkte of dubbele isolatie.

LET OP**MATERIËLE SCHADE DOOR TE VEEL WARMTE**

Overstroom kan te veel warmte in de frequentieregelaar produceren. Als er geen overstroombeveiliging wordt geïnstalleerd, kan dat leiden tot brand en materiële schade.

- Aanvullende beschermende voorzieningen, zoals kortsluitbeveiliging of thermische motorbeveiliging tussen de frequentieregelaar en de motor, is vereist voor toepassingen met meerdere motoren.
- Ingangszekeringen zijn vereist om te voorzien in kortsluitbeveiliging en overstroombeveiliging. Als deze zekeringen niet in de fabriek zijn aangebracht, moet de installateur ze plaatsen. Zie de productspecifieke documentatie voor specificaties van zekeringen.

LET OP**SCHADE AAN EIGENDOMMEN**

Er wordt niet standaard voorzien in beveiliging tegen overbelasting van de motor. Als u de ETR-functie niet activeert, betekent dit dat de motor niet wordt beschermd tegen overbelasting en dat er materiële schade kan ontstaan als de motor oververhit raakt.

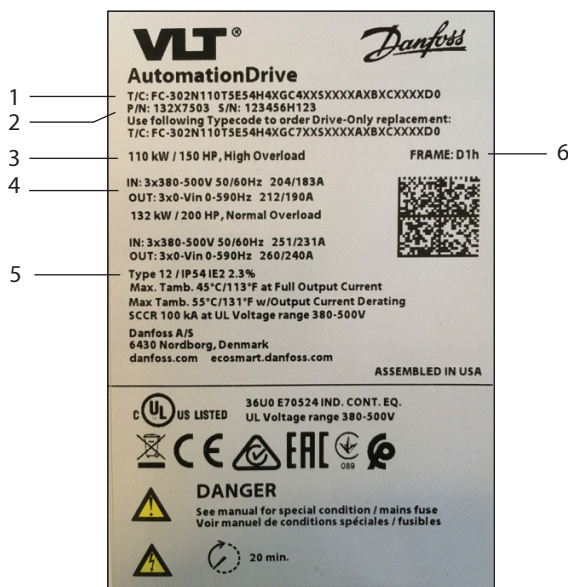
- Schakel de ETR-functie in om beschermingsklasse 20 voor motoroverbelasting te bereiken. Zie de programmeerhandleiding voor meer informatie.

1.4 Benodigd gereedschap

- Hijswerktuig
- Rolmaat
- Boor met verschillende bits
- Schroevendraaiers (torx, kruiskop, platkop)
- Dopsleutel met 7-17 mm doppen
- Verlengstukken voor dopsleutel
- Metaalpons en/of tang
- Striptang

1.5 De levering en de inhoud controleren

Controleer of de geleverde artikelen en de informatie op het productetiket overeenkomen met de bestelgegevens. Het productetiket is aangebracht op de buitenkant van de frequentieregelaar.



e30bb076.10

Nederlands

Afbeelding 1: Voorbeeld van een productetiket

1	Typecode	2	Onderdeelnummer en serienummer
3	Vermogensklasse	4	In/uitgangsspanning, -frequentie en -stroom
5	Beschermingsklasse behuizing	6	Behuizingsgrootte

1.6 EMC-correcte installatie

Zie de bedieningshandleiding of design guide voor meer informatie.

- Gebruik afgeschermdde kabels voor de motoruitgang (niet-afgeschermdde kabels in metalen kabelgoten zijn toegestaan), de rem-, DC- en kabels voor besturing.
- Zorg dat de motor-, rem- en DC-kabels zo kort mogelijk worden gehouden, om het interferentieniveau van het totale systeem te beperken. Houd een afstand van minimaal 200 mm (7,9 in) aan tussen netvoedingsingang, motorkabels en stuurkabels.

- Voer de stromen terug naar de frequentieregelaar met behulp van een metalen montageplaat en geschikte EMC-verbindingsteklemmen. Zorg voor een goed elektrisch contact van de montageplaat, via de montagebouten, naar het metalen frame van de behuizing.
- Als de aansluitpunten van de afscherming niet dezelfde potentiaal hebben, sluit dan een vereffendingsdraad met lage impedantie aan, parallel aan de afgeschermd kabel.
- Bij gebruik van afgeschermd kabels voor relais, stuurkabels, signaalinterface, veldbus of rem moet u de afscherming aan beide uiteinden op de behuizing aansluiten. Als het aardingspad een hoge impedantie heeft of stroomvoerend is, moet u de aansluiting van de afscherming aan één kant onderbreken om aardlussen te vermijden.

1.7 De frequentieregelaar installeren

WAARSCHUWING



GEVAAR VOOR ELEKTRISCHE SCHOKKEN

Het aanraken van een niet-afgedekte motor-, voedings- of DC-aansluitstekker of -klem kan leiden tot ernstig of dodelijk letsel.

- Alle stekker- en klemafdekkingen voor de motor-, voedings- en DC-aansluitingen moeten binnen de IP20-behuizing worden geïnstalleerd om een IP20-beschermingsklasse te bieden. Als de stekkers en de klemafdekkingen niet zijn geïnstalleerd, wordt de beschermingsklasse beschouwd als IP00.

De installatielocatie is belangrijk. De volledige uitgangsstroom is beschikbaar wanneer aan de volgende installatievoorwaarden is voldaan. Zie de sectie Derating in de productspecifieke design guide voor temperaturen en hoogtes buiten dit bereik.

- Maximale omgevingstemperatuur: gemiddeld 45 °C (113 °F) over 24 uur en 50 °C (122 °F) gedurende 1 uur.
 - Minimale omgevingstemperatuur: 0 °C (32 °F).
 - Hoogte < 1000 m (3280 ft) boven zeeniveau.
1. Identificeer de behuizingsgrootte. Zie afbeelding 1.
 2. Raadpleeg de typecodes om opties te identificeren die extra bedrading en configuratie vereisen. Zie stap 1 in de sectie Afbeeldingen.

Door de QR-code op het frontpaneel te scannen, wordt de zoekpagina voor documentatie geopend. Gebruik het optienummer om naar gerelateerde documentatie te zoeken. Gebruik bijvoorbeeld MCA 120 om te zoeken naar documentatie over VLT® PROFINET MCA 120.

3. Zorg ervoor dat de bedrijfsomgeving en de elektrische installatie aan de volgende normen voldoen.
 - a. Binnen zonder klimaatregeling/verontreinigingsgraad 2.
 - b. Overspanningscategorie 3.
4. Raadpleeg het bedradingsschema. Zie stap 2 in de sectie Afbeeldingen.

De volledige bedrading moet voldoen aan de nationale en lokale voorschriften ten aanzien van dwarsdoorsneden en omgevingstemperatuur. Losse aansluitingen kunnen leiden tot apparatuurfouten of verminderde prestaties. Zet de klemmen vast met het juiste aanhaalmoment zoals aangegeven in stap 9 in de sectie Afbeeldingen.

5. Raadpleeg de zekeringspecificaties. Zie stap 3 in de sectie Afbeeldingen.

De frequentieregelaar is geschikt voor gebruik in een circuit dat kan voorzien in een nominale kortsluitstroom (SCCR) van maximaal 100 kA bij 480/600 V. Zie de productspecifieke design guide voor de SCCR-waarden van circuitbreakers en schakelaars.

6. Raadpleeg de specificaties van de voedingskabels. Zie stap 4 in de sectie Afbeeldingen.

Gebruik koperdraad met een nominale temperatuur van minimaal 70 °C (158 °F). Zie de productspecifieke design guides voor aluminium draad.

7. Volg de genummerde stappen in de sectie Afbeeldingen om de frequentieregelaar te installeren. Bepaalde afbeeldingen hebben betrekking op specifieke behuizingsgroottes en zijn als zodanig gemarkeerd.
 - a. Bevestig de onderdelen uit de accessoiretas op de frequentieregelaar (stap 5).
 - b. Monteer de frequentieregelaar op of aan een massief, niet-brandbaar montageoppervlak zoals beton of metaal (stap 6). Zorg voor adequate koeling door een minimale vrije ruimte boven en onder de frequentieregelaar aan te houden.

D3h-D4h zijn voor wandmontage, D1h-D2h en D5h-D6h voor wand- of vloermontage en D7h-D8h voor vloermontage.
 - c. Maak openingen in de kabelinvoerplaat (stap 7).
 - d. Installeer de kabels voor besturing (stap 8).
 - e. Installeer de bedrading van motor, netvoeding en aarde (stap 9).
 - f. Leid de stuurkabels naar de linkerzijde van de frequentieregelaar.
8. Bevestig de afdekking stevig op de frequentieregelaar.
9. Voer de basisprogrammering voor de frequentieregelaar en de motor uit. Raadpleeg de productspecifieke programmeerhandleiding.

Voor functionele-veiligheidsopties is extra bedrading en parameterconfiguratie vereist. Zie de afzonderlijke bedieningshandleiding voor functionele veiligheid, zoals de Bedieningshandleiding Safe Torque Off, voor meer informatie over het installeren van de veiligheidsoptie.

1.8 Brand-/noodmodus

Wanneer de frequentieregelaar in de brand-/noodmodus werkt, kan deze worden geprogrammeerd om zichzelf op te offeren, zodat de applicaties (bijvoorbeeld ventilatie- of waterpompen) zo lang mogelijk blijven werken.

Voordat u de brandmodus/noodmodus activeert, moet u ervoor zorgen dat alle relevante parameters voor de motor en applicatie correct zijn geconfigureerd. Danfoss raadt aan om de applicatie van minimum- naar maximumtoerental te laten draaien en vervolgens de applicatie volledig te stoppen om te controleren of deze correct werkt zonder waarschuwingen of alarmen op het lokale bedieningspaneel te activeren. Het niet uitvoeren van deze stap voordat de brand-/noodmodus wordt geactiveerd, kan leiden tot het vervallen van de garantie. Zie **parametergroep 24-** Applicatiefuncties 2** in de VLT-programmeerhandleiding voor meer instructies over het configureren van de brand-/noodmodus of neem contact op met uw lokale Danfoss-leverancier.

1.9 Vermogensverliezen en rendement

Zie <https://ecosmart.mydrive.danfoss.com> voor gegevens over vermogensverliezen, inclusief verliezen door deelbelastingen.

1 安装

1.1 具备资质的人员

只有具备相应资质的人员才能安装、调试和维护丹佛斯变频器。具备相应资质的人员是指经过培训，熟悉并经授权按照相关法律和法规安装变频器并为其接线的人员。此外，具备资质的人员还必须熟悉本安装指南中所述的说明和安全措施。

1.2 安全符号

本指南使用了下述符号：



危险

表明某种危险情况，如果不避免该情况，将可能导致死亡或严重伤害。



警告

表明某种危险情况，如果不避免该情况，将可能导致死亡或严重伤害。



小心

表明某种危险情况，如果不避免该情况，将可能导致轻度或中度伤害。

注意

表明重要信息，但不涉及危险情况（例如，与财物损失相关的信息）。

1.3 安全预防措施



警告



缺少安全意识

在开始安装之前，请阅读本安装指南和操作指南中所有的安全准则和预防措施。通过扫描前盖上的二维码，可以访问产品专用的操作指南、设计指南、编程指南及功能安全文档等等。PC 工具和 MyDrive® ecoSmart™ 可从 www.danfoss.com 下载。

本指南提供了有关防止人身伤害和设备或系统损坏的重要信息。忽略此信息将会导致死亡、严重人身伤害或严重的设备损坏。

- 确保完全理解相关应用中存在的危险和应采取的安全措施。
- 在变频器上执行任何电气操作前，请对变频器的所有电源上锁挂牌。



警告



起吊重物

变频器很重。不正确地提升重物可能会导致死亡、受伤或财产损失。

- 请遵守有关起吊的地方安全法规。
- 查看变频器的重量。重量标记在运输箱外部。
- 如果使用起重设备，则确保设备处于正常工作状态，可以安全起吊变频器的重量。
- 试着吊起变频器，检查重心是否正确。如果不平稳，则重新确定起吊点。

警告**危险电压**

变频器在与交流或直流电源相连时带有危险电压。如果执行安装、启动和维护工作的人员缺乏资质，将可能导致死亡或严重伤害。

- 只有具备相应资质的人员才能执行安装、启动和维护工作。

警告**放电时间**

变频器包含直流回路电容器，即使变频器未通电，该电容器仍可能带电。即使警告指示灯熄灭，也可能存在高压。在切断电源后，如果在规定的结束之前就执行维护或修理作业，则可能导致死亡或严重伤害。

- 停止电机
- 断开所有电源，包括永磁电机。
- 等待电容器完全放电。放电时间在变频器铭牌上指定。
- 测量电压等级，确认已完全放电。

警告**意外启动**

当变频器连接到交流主电源或直流端子时，电机可能会随时启动，从而导致死亡、重伤以及设备或财产损失的风险。

- 配置参数之前停止变频器和电机。
- 确保变频器无法通过外部开关、现场总线命令、控制面板的输入参考值信号或消除故障状态后启动。
- 为安全起见而必须避免电机意外启动时，请将变频器与主电源断开。
- 检查变频器、电机和任何传动设备是否处于运行就绪状态。

小心**内部故障危险**

当驱动器未正确关闭时，驱动器内部故障可能会导致严重伤害。

- 在通电之前，确保所有安全盖均就位并牢固紧固。

警告**电击和火灾危险**

变频器可在接地导体中产生直流电流。未使用 B 型漏电保护器 (RCD) 可能会导致 RCD 无法提供预期的保护功能，从而可能导致死亡、火灾或其他严重危害。

- 使用 RCD 装置。
- 使用 RCD 提供保护防止电击或火灾时，只能在电源侧使用 B 型装置。

警告**感生电压**

如果将输出机电缆布置在一起，感生电压可能会对设备电容器进行充电，即使设备处于断电并上锁挂牌状态，也会如此。如果未单独布置电机输出电缆或使用屏蔽电缆，则可能导致死亡或严重伤害。

- 应单独布置输出机电缆或使用屏蔽电缆。
- 同时对所有变频器进行上锁挂牌。

警告**存在触电危险**

由于屏蔽机电缆上的杂散电容，泄漏电流超过 3.5 mA。如果变频器未正确接地，将可能导致死亡或严重伤害。

- 确保接地导线的最小尺寸符合当地有关大接触电流设备的安全法规要求。
- 对于漏电电流超过 3.5 mA 的设备，使用符合 IEC 60364-5-54 条款 543.7 或当地安全法规的加强型接地导线。
- 对于加强型接地：

使用横截面积至少为 10 mm² (8 AWG) 铜制或 16 mm² (6 AWG) 铝制接地导线，或者横截面积与 IEC

60364-5-54 指定的原始接地导线相同、最小横截面积为 2.5 mm² (14 AWG) 机械保护或 4 mm² (12 AWG) 未进行机械保护的额外接地导线。

在机箱内使用接地导线，或在整个长度范围内采取保护措施，防止机械损坏。

使用接地导线，该接地导线属于多芯电源线的一部分，最小 PE 导体横截面积为 2.5 mm² (14 AWG)，并且通过工业连接器永久连接或插入。多芯电源线必须安装有适合的应力消除装置。

小心**热敏电阻绝缘**

可能导致人身伤害或设备损坏。

- 为了符合 PELV 绝缘要求，只能在热敏电阻上使用加强绝缘或双重绝缘。

注意**过热和财产损失**

过电流会使变频器内部过热。如果不提供过电流保护，可能引发火灾和财产损失。

- 对于使用多个电机的应用，需要在变频器和电机之间使用诸如短路保护或电机热保护等附加保护装置。
- 需要使用输入熔断器来提供短路和过电流保护。如果出厂时没有配置熔断器，则应由安装方提供。有关熔断器的规格，请参阅产品专用文档。

注意**财产损失**

默认情况下，不启用防止电机过载的保护功能。未设置 ETR 功能意味着，在电机过热的情况下，将无法提供电机过载保护，进而可能导致财产受损。

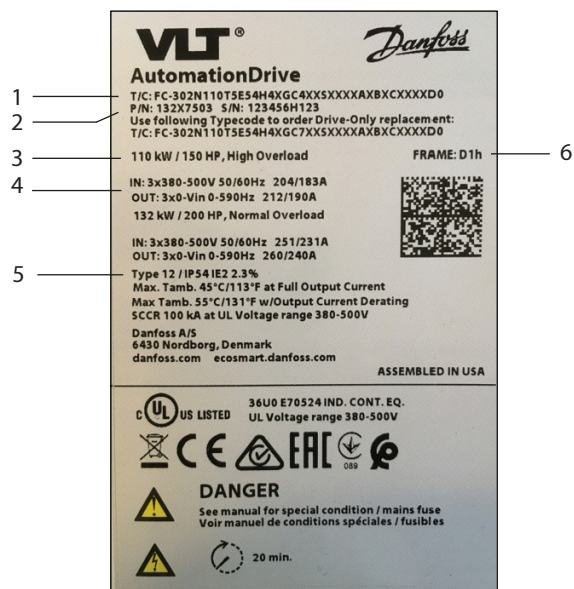
- 要提供 20 类电机过载保护，请启用 ETR 功能。有关详细信息，请参阅编程指南。

1.4 所需工具

- 起吊辅助装置
- 卷尺
- 配各种钻头的电钻
- 螺丝刀（梅花型、十字槽型、槽型）
- 带有 7-17 毫米套筒的扳手
- 套筒加长件
- 金属板冲头和/或钳子
- 压线钳

1.5 检验装运及交付物品

确保提供的物品和产品标签上的信息与订单一致。产品标签位于变频器外部。



e30bb076.10

简体中文

图 1: 产品标签示例

1	型号代码	2	部件号和序列号
3	额定功率	4	输入/输出电压、频率和电流
5	机箱防护等级	6	机箱规格

1.6 符合 EMC 规范的安装

有关详细信息，请参阅操作或设计指南。

- 对电机输出（可以使用位于金属导管中的非屏蔽电缆）、制动、直流和控制线路使用屏蔽电缆。
- 确保电机、制动和直流电缆尽可能短，以降低整个系统的干扰水平。在主电源输入、电机电缆和控制电缆之间至少提供 200 毫米（7.9 英寸）的间隙。
- 使用金属安装板和适当的 EMC 卡箍将电流传回变频器。确保从安装板到固定螺钉再到机箱的金属机架都保持良好的电气接触。
- 如果屏蔽连接点存在电压电位差，请将低阻抗均衡线与屏蔽电缆并行连接。

- 使用继电器、控制电缆、信号接口、现场总线或制动时，请将屏蔽丝网的两端都连接到机箱。如果接地通路的阻抗高、噪声高或带电，则在一端断开屏蔽丝网的连接，避免形成接地电流回路。

1.7 安装变频器

警告



触电危险

触摸未加盖的电机、主电源或直流连接插头或端子会导致严重伤亡。

- 所有用于电机、主电源和直流连接的插头和端子保护盖都必须安装在 IP20 机箱内，以提供 IP20 防护等级。如果未安装插头和端子盖，则防护等级为 IP00。

安装位置很重要。 满足以下安装条件时，将提供完全输出电流。如果温度和海拔高度超出以下范围，请参阅产品专用设计指南的“降容”一节。

- 最高环境温度：24 小时内平均气温为 45 °C (113 °F)，1 小时内气温为 50 °C (122 °F)。
- 最低环境温度：0 °C (32 °F)。
- 海拔不超过 1000 米 (3280 英尺)。

1. 确认机箱规格。参见图 1。
2. 通过类型代码确认需要额外接线和设置的选项。请见图表部分的第 1 步。

扫描封面的二维码可打开文档搜索页面。使用选项编号搜索相关文档。例如，使用 MCA 120 搜索 VLT® PROFINET MCA 120 文档。

3. 确保工作环境和电气安装符合以下标准。
 - a. 室内无空调 / 污染等级 2。
 - b. 过压类别 3。
4. 查看接线图。请见图表部分的第 2 步。

所有接线都必须符合国家和地方法规中关于横截面积和环境温度的要求。连接松动会导致设备故障或降低性能。按照图表部分第 9 步所示的正确扭矩值拧紧端子。

5. 查看保险丝规格。请见图表部分的第 3 步。

本变频器适用于 480/600 V 下最高可提供 100kA 额定短路电流 (SCCR) 的电路。有关断路器和开关 SCCR 额定值，请参阅产品专用设计指南。

6. 查看电源线规格。请见“图表”部分的第 4 步。

使用额定值至少为 70 °C (158 °F) 的铜线。如果是铝线，请参阅产品专用设计指南。

7. 按照图表部分所述的步骤安装变频器。一些图表/步骤与特定机箱规格有关，并进行了相应标记。

- a. 将附件包组件连接到变频器（第 5 步）。
- b. 将变频器安装在不可燃的实心安装表面上，比如混凝土或金属（第 6 步）。在变频器上方和下方留出最小间隙，确保能够进行冷却。

D3h-D4h 为壁挂式，D1h-D2h 和 D5h-D6h 为壁挂式或落地式，D7h-D8h 为落地式。

- c. 在电缆进线板中开口（第 7 步）。
- d. 安装控制线缆（第 8 步）。

- e. 安装电机线、主电源线和接地线（第 9 步）。
 - f. 将控制电缆敷设到变频器的左侧。
8. 将盖板牢靠固定在变频器上。
 9. 对变频器和电机进行初始设置。请参阅产品专用编程指南。

功能安全选件需要额外的接线和参数配置。有关如何安装安全选件的更多信息，请参阅专门的功能安全操作指南，如 Safe Torque Off 操作指南。

1.8 火灾/紧急模式

在火灾/紧急模式下运行时，可以对变频器进行编程以牺牲自身，从而使应用（例如通风或水泵）尽可能长时间地继续运行。

在激活火灾/紧急模式之前，确保正确配置了电机和应用的所有相关参数。Danfoss 建议从最低速度到最大速度运行应用程序，然后将应用程序完全停止，验证应用程序能够正常运行，且不会在本地控制面板上触发任何警告或报警。如果在启用火灾/紧急模式之前未完成此步骤，则可能导致保修失效。有关配置火灾/紧急模式的详细说明，请参阅 VLT 编程指南中的 **参数组 24-** 应用功能 2**，或联系当地的 Danfoss 办事处。

1.9 功率损耗和效率

有关功率损耗数据，包括部分负载损耗，请参阅 <https://ecosmart.mydrive.danfoss.com>。

1 Instalación

1.1 Personal cualificado

Solo el personal cualificado está autorizado a instalar, poner en marcha y realizar el mantenimiento de los convertidores de frecuencia Danfoss. El personal cualificado es personal formado que conoce y tiene autorización para montar y cablear el convertidor de frecuencia de acuerdo con la legislación y la normativa pertinentes. Asimismo, el personal cualificado debe estar familiarizado con las instrucciones y medidas de seguridad descritas en esta guía de instalación.

1.2 Símbolos de seguridad

En esta guía se han utilizado los siguientes símbolos:

PELIGRO

Indica situaciones peligrosas que, si no se evitan, producirán lesiones graves e incluso la muerte.

ADVERTENCIA

Indica situaciones peligrosas que, de no evitarse, pueden dar lugar a lesiones graves e incluso la muerte.

PRECAUCIÓN

Indica situaciones peligrosas que, de no evitarse, pueden dar lugar a lesiones leves o moderadas.

AVISO

Indica información importante pero no relativa a peligros (por ejemplo, mensajes relacionados con daños materiales).

1.3 Medidas de seguridad

ADVERTENCIA



FALTA DE PRECAUCIÓN RESPECTO A LAS CUESTIONES DE SEGURIDAD

Antes de comenzar con la instalación, lea todas las directrices y precauciones de seguridad de esta guía de instalación. Es posible acceder a documentación adicional, como la guía de funcionamiento, la guía de diseño y la guía de programación específicas del producto, así como a las guías de seguridad funcional, escaneando el código QR que aparece en la portada. Las herramientas para PC y MyDrive® ecoSmart™ se pueden descargar en www.danfoss.com.

Esta guía ofrece información importante sobre cómo evitar lesiones y daños a los equipos o al sistema. Si no se tiene en cuenta esta información, podrían producirse importantes desperfectos en los equipos, lesiones graves o incluso muertes.

- Asegúrese de comprender plenamente los peligros y las medidas de seguridad presentes en la aplicación.
- Antes de realizar cualquier trabajo eléctrico en el convertidor, bloquee y etiquete todas las fuentes de alimentación del convertidor.

 **ADVERTENCIA****ELEVACIÓN DE CARGAS PESADAS**

El convertidor de frecuencia es pesado. Elevar objetos pesados de forma incorrecta puede provocar la muerte, lesiones personales o daños materiales.

- Siga las normas de seguridad locales sobre elevación.
- Compruebe el peso del convertidor. El peso se indica en la parte exterior de la caja de envío.
- Si se utiliza un equipo de elevación, asegúrese de que esté en buenas condiciones de funcionamiento y que pueda levantar el peso del convertidor de frecuencia de forma segura.
- Pruebe a elevar el convertidor para verificar si el centro de gravedad es el adecuado. Si no está nivelado, vuelva a determinar el punto de elevación.

 **ADVERTENCIA****TENSIÓN PELIGROSA**

Los convertidores tienen una tensión peligrosa cuando están conectados a la red de CA o CC. Si la instalación, el arranque y el mantenimiento no son efectuados por personal cualificado, pueden causarse lesiones graves o incluso la muerte.

- Únicamente el personal cualificado deberá realizar la instalación, la puesta en marcha y el mantenimiento.

 **ADVERTENCIA****TIEMPO DE DESCARGA**

El convertidor contiene condensadores en el bus de CC que podrán seguir energizados aunque el convertidor esté apagado. Puede haber tensión alta presente aunque las luces del indicador de advertencia estén apagadas. Si, después de desconectar la alimentación, no espera el tiempo especificado antes de realizar cualquier trabajo de reparación o tarea de mantenimiento, pueden producirse lesiones graves o incluso la muerte.

- Parada del motor
- Desconecte todas las fuentes de alimentación, incluidos los motores de magnetización permanente.
- Espere a que los condensadores se descarguen por completo. El tiempo de descarga se especifica en la placa de características del convertidor.
- Mida el nivel de tensión para comprobar que se haya producido la descarga completa.

⚠ ADVERTENCIA**ARRANQUE ACCIDENTAL**

Cuando el convertidor de frecuencia se conecta a la red de CA o a los terminales de CC, el motor puede arrancar en cualquier momento, lo que generaría el riesgo de sufrir lesiones graves o incluso la muerte, así como daños al equipo u otros objetos.

- Detenga el convertidor y el motor antes de configurar los parámetros.
- Asegúrese de que el convertidor de frecuencia no pueda arrancarse mediante un conmutador externo, una orden de bus de campo, una señal de referencia de entrada desde el panel de control o por la eliminación de un estado de fallo.
- Desconecte el convertidor de la red de alimentación siempre que las consideraciones de seguridad lo requieran, para evitar un arranque accidental del motor.
- Compruebe que el convertidor, el motor y cualquier equipo accionado estén listos para funcionar.

⚠ PRECAUCIÓN**PELIGRO DE FALLO INTERNO**

Si el convertidor de frecuencia no está correctamente cerrado, un fallo interno en el mismo puede causar lesiones graves.

- Asegúrese de que todas las cubiertas de seguridad estén colocadas y fijadas de forma segura antes de suministrar electricidad.

⚠ ADVERTENCIA**RIESGO DE DESCARGA ELÉCTRICA E INCENDIO**

El convertidor puede generar una intensidad de CC en el conductor de tierra. Si no se utiliza un dispositivo de protección de intensidad residual de tipo B (RCD), es posible que el RCD no proporcione la protección prevista y, por lo tanto, pueda producirse la muerte, un incendio u otros peligros graves.

- Utilice un dispositivo RCD.
- Cuando se utilice un RCD para protección frente a descargas eléctricas o incendios, emplee únicamente un dispositivo de tipo B en la fuente de alimentación.

⚠ ADVERTENCIA**TENSIÓN INDUCIDA**

La tensión inducida desde los cables de motor de salida que están juntos puede cargar los condensadores del equipo, incluso si este está apagado y bloqueado/etiquetado. No colocar separados los cables de salida del motor o no utilizar cables apantallados puede provocar lesiones graves o incluso la muerte.

- Coloque los cables de motor de salida separados o utilice cables apantallados.
- Bloquee/etiquete todos los convertidores de frecuencia de forma simultánea.

 **ADVERTENCIA**
**RIESGO DE DESCARGA ELÉCTRICA**

Debido a las capacidades parásitas del cable de motor apantallado, las corrientes de fuga sobrepasan los 3,5 mA. No realizar una toma de tierra adecuada del convertidor de frecuencia puede provocar lesiones graves e incluso la muerte.

- Asegúrese de que el tamaño mínimo del conductor de tierra cumpla con las normas de seguridad locales para equipos con una alta corriente de contacto.
- Utilice un conductor de tierra reforzado según IEC 60364-5-54 cl. 543.7 o las normas de seguridad locales para equipos con corriente de fuga >3,5 mA.
- Para conexión a tierra reforzada:

Utilice un conductor de tierra con una sección transversal de al menos 10 mm² (8 AWG) Cu o 16 mm² (6 AWG) Al, o un conductor de tierra adicional con la misma área de sección transversal que el conductor de tierra original, según se especifica en la norma IEC 60364-5-54, con una área transversal mínima de 2,5 mm² (14 AWG) con protección mecánica o 4 mm² (12 AWG) sin protección mecánica.

Utilice un conductor de tierra dentro de una protección o bien protéjalo a lo largo de todo su recorrido para evitar daños mecánicos.

Utilice un conductor de tierra que forme parte de un cable de alimentación multiconductor con una sección transversal mínima de cable PE de 2,5 mm² (14 AWG) que se conecte de forma fija o se enchufe mediante un conector industrial. El cable de alimentación multiconductor debe instalarse con un protector contra tirones adecuado.

 **PRECAUCIÓN**
AISLAMIENTO DEL TERMISTOR

Riesgo de lesiones personales o daños al equipo.

- Para cumplir los requisitos de aislamiento PELV, utilice únicamente termistores con aislamiento reforzado o doble.

AVISO**EXCESO DE CALOR Y DAÑOS MATERIALES**

La sobreintensidad puede generar un exceso de calor en el interior del convertidor. Si no se proporciona una protección de sobreintensidad, podría producirse riesgo de incendio y daños materiales.

- Es necesario un dispositivo de protección adicional, como protección contra cortocircuitos o protección térmica del motor, entre el convertidor y el motor para aplicaciones con varios motores.
- Se necesita un fusible de entrada para proporcionar protección de sobreintensidad y contra cortocircuitos. Si no vienen instalados de fábrica, el instalador deberá suministrar los fusibles. Consulte la documentación específica del producto para conocer las especificaciones de los fusibles.

AVISO**DAÑOS MATERIALES**

La protección contra sobrecargas en el motor no está activada por defecto. Si no se ajusta la función de ETR, no se dispondrá de la protección de sobrecarga del motor y podrían producirse daños materiales en caso de sobrecalentamiento del motor.

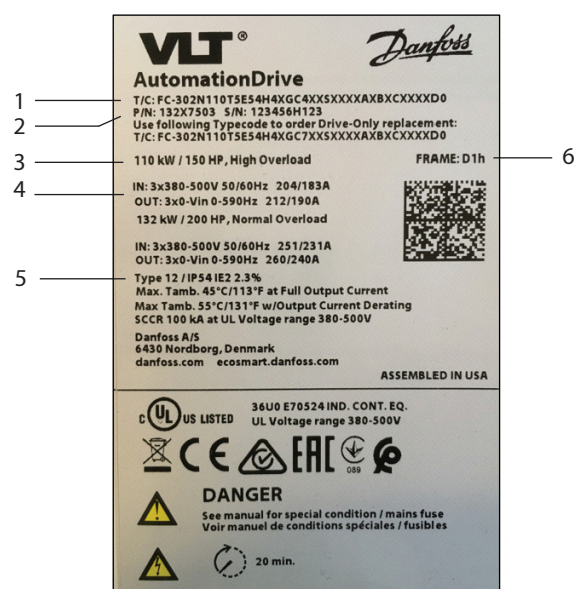
- Para proporcionar protección de sobrecarga del motor de clase 20, active la función ETR. Para obtener más información, consulte la Guía de programación.

1.4 Herramientas necesarias

- Elemento de elevación
- Metro
- Taladro con diferentes brocas
- Destornilladores (Torx, Phillips, ranurados)
- Llave de tubo con adaptadores de 7–17 mm
- Extensiones de llaves
- Punzón y/o alicates para chapa metálica
- Engastador de cables

1.5 Verificación del envío y del contenido

Compruebe que los elementos suministrados y la información de la etiqueta del producto coincidan con el pedido. La etiqueta del producto se encuentra en la parte externa del convertidor.



e30bb076.10

Figura 1: Ejemplo de una etiqueta de producto

1	Código tipo	2	Referencia y número de serie
3	Potencia nominal	4	Corriente, frecuencia y tensión de entrada/salida
5	Grado de protección de las protecciones	6	Tamaño del alojamiento

1.6 Instalación conforme a EMC

Si desea más información, consulte la guía de funcionamiento o la guía de diseño.

- Utilice cables apantallados para la salida del motor (se aceptan cables no apantallados en conductos de metal), el freno, la CC y el cableado de control.
- Asegúrese de que los cables del motor, el freno y la DC sean lo más cortos posible para reducir el nivel de interferencias de todo el sistema. Deje un espacio libre mínimo de 200 mm (7,9 in) entre los cables de entrada de alimentación, del motor y de control.

- Transfiera las intensidades de vuelta al convertidor de frecuencia utilizando una placa de montaje metálica y abrazaderas de conexión EMC adecuadas. Asegúrese de que la placa de montaje y el bastidor de metal de la protección hagan buen contacto eléctrico a través de los tornillos de montaje.
- Si los puntos de conexión de la pantalla tienen una diferencia de potencial de tensión, conecte un cable ecualizador de baja impedancia en paralelo al cable apantallado.
- Al usar relés, cables de control, interfaz de señales, bus de campo o freno, conecte la pantalla a la protección por ambos lados. Si la trayectoria de conexión a tierra tiene una alta impedancia, es ruidosa o está bajo tensión, interrumpa la conexión de la pantalla en un extremo para evitar los lazos de corriente a tierra.

1.7 Instalación del convertidor



ADVERTENCIA



RIESGO DE DESCARGA

Tocar un terminal o un enchufe de conexión de CC, red o motor no cubiertos puede provocar lesiones graves o incluso la muerte.

- Todas las cubiertas de protección de los conectores y terminales del motor, la alimentación de red y las conexiones de DC deben instalarse dentro de un alojamiento IP20 para así obtener una clasificación de protección IP20. Si las cubiertas de los conectores y terminales no están instaladas, la clasificación de protección se considera IP00.

La ubicación de la instalación es importante. La intensidad de salida máxima está disponible cuando se cumplen las siguientes condiciones de instalación. Para temperaturas y altitudes fuera de estos intervalos, consulte los apartados dedicados a la Reducción de potencia en la guía de diseño específica del producto.

- Temperatura ambiente máxima: 45 °C (113 °F) de media durante un periodo de 24 horas y 50 °C (122 °F) para un periodo de una hora.
- Temperatura ambiente mínima: 0 °C (32 °F).
- Altitud <1000 m (3280 pies) sobre el nivel del mar.

1. Identifique el tamaño de la protección. Véase la ilustración 1.
2. Identifique las opciones que necesiten cableado y ajustes adicionales utilizando el código descriptivo. Consulte el paso 1 de la sección Ilustraciones.

Al escanear el código QR de la portada se abre la página de búsqueda de documentación. Utilice el número de opción para buscar la documentación relacionada. Por ejemplo, utilice MCA 120 para buscar la documentación de VLT® PROFINET MCA 120.

3. Asegúrese de que el entorno de funcionamiento y la instalación eléctrica cumplan con las siguientes normas.
 - a. Grado 2 de contaminación/sin acondicionamiento en interiores.
 - b. Categoría de sobretensión 3.
4. Revise el diagrama de cableado. Consulte el paso 2 de la sección Ilustraciones.

Todos los cableados deben cumplir las normas nacionales y locales sobre requisitos de sección transversal y temperatura ambiente. Las conexiones flojas pueden provocar fallos o una reducción del rendimiento en el equipo. Apriete los terminales de acuerdo con el valor de par de apriete correcto que se muestra en el paso 9 de la sección Ilustraciones.

5. Revise las especificaciones de los fusibles. Consulte el paso 3 de la sección Ilustraciones.

El convertidor puede ser adecuado para su uso en un circuito capaz de proporcionar una intensidad nominal de cortocircuito (SCCR) máxima de 100 kA a 480/600 V. Para conocer la clasificación SCCR de magnetotérmicos y conmutadores, consulte la guía de diseño específica del producto.

6. Revise las especificaciones del cable de alimentación. Consulte el paso 4 de la sección Ilustraciones.

Utilice cable de cobre para una temperatura nominal mínima de 70 °C (158 °F). Para cables de aluminio, consulte la guía de diseño específica del producto.

7. Instale el convertidor de frecuencia siguiendo los pasos numerados en la sección Ilustraciones. Algunos pasos e ilustraciones corresponden a un tamaño de bastidor específico y están identificadas como tales.

- a. Fije las piezas de la bolsa de accesorios al convertidor (paso 5).
- b. Monte el convertidor sobre o contra una superficie de montaje sólida y no combustible como, por ejemplo, una superficie de hormigón o metal (paso 6). Asegúrese de que la refrigeración sea adecuada dejando un espacio mínimo por encima y por debajo del convertidor.

D3h-D4h son dispositivos para montaje en pared, D1h-D2h y D5h-D6h son dispositivos para montaje en pared o suelo, y D7h-D8h son dispositivos para montaje en suelo.

- c. Cree aberturas para cables en la placa de entrada de cables (paso 7).
 - d. Instale el cableado de control (paso 8).
 - e. Instale el cableado del motor, de alimentación de red y de conexión a tierra (paso 9).
 - f. Tienda los cables de control hacia el lado izquierdo del convertidor.
8. Fije firmemente la cubierta al convertidor.
9. Realice el primer accionamiento y ajuste el motor. Consulte la guía de programación específica del producto.

Las opciones de seguridad funcional requieren cableado adicional y la configuración de parámetros. Para obtener más información sobre la instalación de la opción de seguridad, consulte la guía de funcionamiento de seguridad funcional específica, como la guía de funcionamiento de Safe Torque Off.

1.8 Modo incendio/emergencia

Cuando funciona en modo incendio/emergencia, el convertidor de frecuencia puede programarse para sacrificarse a sí mismo, de modo que las aplicaciones (por ejemplo, la ventilación o las bombas de agua) sigan funcionando el mayor tiempo posible.

Antes de activar el modo incendio/emergencia, asegúrese de que todos los parámetros relevantes para el motor y la aplicación estén configurados correctamente. Danfoss recomienda hacer funcionar la aplicación desde la velocidad mínima hasta la máxima y, a continuación, detenerla por completo para verificar que funciona correctamente sin activar ninguna advertencia o alarma en el panel de control local. Si no se completa este paso antes de activar el modo incendio/emergencia, la garantía puede quedar anulada. Para obtener más instrucciones sobre la configuración del modo incendio/emergencia, consulte el **Grupo de parámetros 24-** Funciones de aplicaciones 2** en la guía de programación del VLT, o póngase en contacto con su oficina local de Danfoss.

1.9 Pérdidas de potencia y eficiencia

Para conocer los datos de pérdida de potencia, incluidas las pérdidas a carga parcial, consulte <https://ecosmart.mydrive.danfoss.com>.

1 Установка

1.1 Квалифицированный персонал

Установка, ввод в эксплуатацию и техническое обслуживание преобразователей частоты Danfoss должны выполняться только квалифицированным персоналом. Квалифицированным считается обученный персонал, хорошо знающий работу по установке и подключению преобразователя частоты и получивший допуск к выполнению таких работ в соответствии с применимыми законами и правилами. Кроме того, квалифицированный персонал должен хорошо знать инструкции и правила безопасности, описанные в этом руководстве по установке.

1.2 Символы безопасности

В этом руководстве используются следующие символы:

ОПАСНО

Указывает на опасную ситуацию; если не принять меры предосторожности, она приведет к летальному исходу или серьезным травмам.

ПРЕДУПРЕЖДЕНИЕ

Указывает на опасную ситуацию; если не принять меры предосторожности, она может привести к летальному исходу или серьезным травмам.

ВНИМАНИЕ

Указывает на опасную ситуацию; если не принять меры предосторожности, она может привести к незначительным травмам или травмам средней тяжести.

УВЕДОМЛЕНИЕ

Указывает на важную информацию, не связанную с предотвращением опасности для жизни или здоровья (например, сообщения о возможности повреждения имущества).

1.3 Меры предосторожности

ПРЕДУПРЕЖДЕНИЕ



НЕДОСТАТОЧНОЕ ЗНАНИЕ ТЕХНИКИ БЕЗОПАСНОСТИ

Перед началом установки ознакомьтесь со всеми указаниями по технике безопасности и мерами предосторожности, приведенными в данном руководстве по установке. Отсканировав QR-код на передней крышке, можно получить доступ к дополнительной документации, например руководству по эксплуатации конкретного изделия, руководству по проектированию и руководству по программированию или функциональным руководствам по технике безопасности. Инструменты для ПК и ПО MyDrive® ecoSmart™ можно загрузить по адресу www.danfoss.com.

В этом руководстве содержится важная информация о том, как предотвратить травмы персонала и повреждение оборудования или системы. Игнорирование этой информации может привести к летальному исходу, серьезной травме или серьезному повреждению оборудования.

- Обязательно полностью ознакомьтесь с информацией об опасностях и мерах безопасности, относящихся к вашей сфере применения.
- Перед выполнением любых электротехнических работ на преобразователе частоты заблокируйте подключения всех источников питания преобразователя частоты и установите предупредительные таблички.

ПРЕДУПРЕЖДЕНИЕ



ПОДЪЕМ ТЯЖЕЛЫХ ГРУЗОВ

Преобразователь частоты имеет большой вес. Неправильный подъем тяжелых предметов может привести к летальному исходу, травмированию персонала или повреждению оборудования.

- При подъеме соблюдайте местные нормы и правила техники безопасности.
- Проверьте массу преобразователя частоты. Масса указана на внешней поверхности транспортировочной коробки.
- Если используется подъемное оборудование, убедитесь в том, что оно находится в надлежащем рабочем состоянии и может безопасно поднять вес преобразователя частоты.
- Выполните пробный подъем преобразователя частоты, чтобы определить центр тяжести. Переместите точку подъема, если устройство не поднимается ровно.

ПРЕДУПРЕЖДЕНИЕ



ОПАСНОЕ НАПРЯЖЕНИЕ

При подключении к источнику питания переменного или постоянного тока преобразователи частоты находятся под опасным напряжением. Установка, пусконаладка и техобслуживание должны выполняться квалифицированным персоналом; несоблюдение этого требования может привести к летальному исходу или получению серьезных травм.

- Установка, запуск и техническое обслуживание оборудования должны выполняться только квалифицированным персоналом.

 **ПРЕДУПРЕЖДЕНИЕ**
**ВРЕМЯ РАЗРЯДКИ**

В цепи постоянного тока привода установлены конденсаторы, которые остаются заряженными даже после отключения питания. Высокое напряжение может присутствовать даже в том случае, если индикаторы предупреждений погасли. Несоблюдение указанного периода ожидания после отключения питания перед началом обслуживания или ремонтных работ может привести к летальному исходу или серьезным травмам.

- Остановите двигатель.
- Отключите все источники питания, в том числе двигатели с постоянными магнитами.
- Дождитесь полной разрядки конденсаторов. Время разрядки указано на паспортной табличке преобразователя частоты.
- Чтобы убедиться в полной разрядке, измерьте уровень напряжения.

 **ПРЕДУПРЕЖДЕНИЕ**
**НЕПРЕДНАМЕРЕННЫЙ (СЛУЧАЙНЫЙ) ПУСК**

Если преобразователь частоты подключен к сети переменного тока или клеммам источника постоянного тока, двигатель может запуститься в любой момент, что может привести к летальному исходу, получению серьезных травм или к повреждению оборудования или имущества.

- Перед настройкой параметров остановите преобразователь частоты и двигатель.
- Убедитесь в том, что преобразователь частоты невозможно запустить внешним переключателем, командой по промышленной шине, входным сигналом задания с панели управления или в результате сброса после устранения неисправности.
- Отсоединяйте преобразователь частоты от сети каждый раз, когда для обеспечения безопасности требуется предотвратить непреднамеренный пуск двигателя.
- Убедитесь в том, что преобразователь частоты, двигатель и все подключенное оборудование находятся в состоянии готовности к эксплуатации.

 **ВНИМАНИЕ**
ОПАСНОСТЬ В СЛУЧАЕ ВНУТРЕННЕГО ОТКАЗА

Если преобразователь частоты не закрыт должным образом, внутренняя неисправность в нем может привести к серьезным травмам.

- Перед подачей питания убедитесь в том, что все защитные крышки установлены на свои места и надежно закреплены.

 **ПРЕДУПРЕЖДЕНИЕ**
**ОПАСНОСТЬ ПОРАЖЕНИЯ ЭЛЕКТРИЧЕСКИМ ТОКОМ И ВОЗГОРАНИЯ**

Преобразователь частоты может вызвать появление постоянного тока в проводе заземления. Отсутствие датчика остаточного тока (RCD) типа В может привести к отсутствию необходимой защиты и, как следствие, стать причиной летального исхода, возгорания и других опасных ситуаций.

- Используйте датчик остаточного тока (RCD).
- Когда RCD используется для защиты от поражения электрическим током или возгорания, на стороне питания допускается использовать только устройство типа В.

 **ПРЕДУПРЕЖДЕНИЕ**
**ИНДУЦИРОВАННОЕ НАПРЯЖЕНИЕ**

Индуктированное напряжение от выходных кабелей двигателей, проложенных рядом друг с другом, может зарядить конденсаторы оборудования, даже когда оборудование выключено и заблокировано/вывешены предупредительные таблички. Несоблюдение требований к раздельной прокладке выходных кабелей двигателя или использованию экранированных кабелей может привести к летальному исходу или серьезным травмам.

- Прокладывайте выходные кабели двигателя по отдельности или используйте экранированные кабели.
- Выполняйте блокировку/вывешивание предупредительных табличек одновременно для всех преобразователей частоты.

 **ПРЕДУПРЕЖДЕНИЕ**
**ОПАСНОСТЬ ПОРАЖЕНИЯ ЭЛЕКТРИЧЕСТВОМ**

Из-за паразитной емкости экранированного кабеля двигателя токи утечки превышают 3,5 мА. Неправильно выполненное заземление преобразователя частоты может привести к летальному исходу или серьезным травмам.

- Убедитесь в том, что минимальный размер провода заземления соответствует местным нормам и правилам техники безопасности для оборудования с большим током прикосновения.
- Для оборудования с током утечки > 3,5 мА используйте усиленный провод заземления в соответствии с п. 543.7 IEC 60364-5-54 или местными нормами и правилами техники безопасности.
- Для создания усиленного заземления:

Используйте медный провод заземления с поперечным сечением не менее 10 мм² (8 AWG), алюминиевый провод заземления с поперечным сечением не менее 16 мм² (6 AWG) или дополнительный провод заземления того же поперечного сечения, что и оригинальный провод заземления, как указано в IEC 60364-5-54, с минимальным поперечным сечением 2,5 мм² (14 AWG) с защитой от механических повреждений или 4 мм² (12 AWG) без защиты от механических повреждений.

Используйте провод заземления, полностью закрытый корпусом или защищенный от механических повреждений иным способом по всей длине.

Используйте провод заземления с поперечным сечением минимум 2,5 мм² (14 AWG), входящий в состав многожильного силового кабеля и постоянно подсоединенный или подключаемый с помощью разъема промышленного класса. Многожильный силовой кабель должен быть оснащен надлежащей системой компенсации натяжения.

 **ВНИМАНИЕ**
ИЗОЛЯЦИЯ ТЕРМИСТОРА

Существует опасность травм персонала или повреждения оборудования.

- Для соответствия требованиям к цепям защитного сверхнизкого напряжения (PELV) используйте в термисторах усиленную или двойную изоляцию.

УВЕДОМЛЕНИЕ

ПЕРЕГРЕВ И ПОВРЕЖДЕНИЕ ИМУЩЕСТВА

Перегрузка по току может привести к чрезмерному нагреву компонентов внутри преобразователя частоты. Отсутствие защиты от перегрузки по току может привести к пожару и повреждению имущества.

- В системах с несколькими двигателями необходимо использовать дополнительные защитные устройства между преобразователем частоты и двигателем, например для защиты от короткого замыкания или для тепловой защиты двигателя.
- Для защиты от короткого замыкания и перегрузки по току должны быть установлены входные предохранители. Если предохранители отсутствуют в заводской комплектации, их должен предоставить специалист во время установки. Характеристики предохранителей см. в документации к конкретному изделию.

УВЕДОМЛЕНИЕ

ПОВРЕЖДЕНИЕ ИМУЩЕСТВА

Защита двигателя от перегрузки не активна по умолчанию. Если не настроить функцию ETR, защита двигателя от перегрузки остается отключенной и перегрев двигателя может привести к повреждению оборудования.

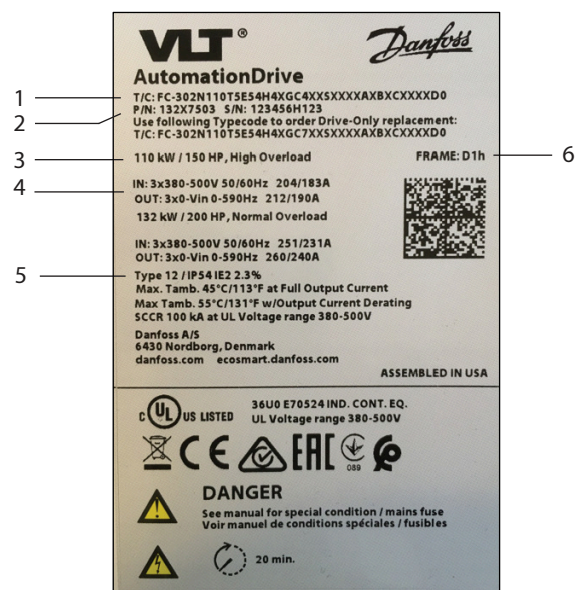
- Чтобы обеспечить защиту двигателя от перегрузки класса 20, включите функцию ETR. Подробнее см. в руководстве по программированию.

1.4 Необходимый инструмент

- Подъемное приспособление
- Рулетка
- Дрель с различными сверлами
- Отвертки (Torx, Phillips, шлицевые)
- Ключ с головками 7–17 мм
- Удлинители для ключей
- Пробойник и/или плоскогубцы для листового металла
- Обжимные щипцы

1.5 Проверка поставки и комплектности

Убедитесь в том, что поставляемое оборудование и указанные на табличке сведения соответствуют заказу. Паспортная табличка преобразователя частоты расположена на его внешней стороне.



e30bb076.10

Рисунок 1: Пример паспортной таблички

1	Код типа	2	Номер по каталогу и серийный номер
3	Номинальная мощность	4	Входное/выходное напряжение, частота и ток
5	Класс защиты корпуса	6	Размер корпуса

1.6 Установка с учетом требований ЭМС

Более подробная информация приведена в руководстве по эксплуатации или проектированию соответствующего изделия.

- Используйте экранированные кабели для выходной цепи двигателя (допустимо использовать неэкранированные кабели в металлических кабелепроводах), тормоза, цепей постоянного тока и подключения элементов управления.
- Используйте как можно более короткие кабели двигателя, тормоза и цепей постоянного тока, чтобы уменьшить уровень помех, создаваемых всей системой. Обеспечьте минимальное расстояние 200 мм (7,9 дюйма) между кабелями питания, кабелями двигателя и кабелями управления.
- Необходимо обеспечить возврат тока в преобразователь частоты с помощью металлической монтажной пластины и соответствующих соединительных зажимов ЭМС. Следует обеспечить хороший электрический контакт монтажной пластины с металлической рамой корпуса преобразователя частоты через крепежные винты.
- При наличии разности потенциалов между точками подключения экрана для выравнивания потенциалов подключите провод с низким импедансом параллельно экранированному кабелю.
- В кабелях подключения реле, кабелях управления, а также в кабелях сигнального интерфейса, промышленной шины и тормозного резистора экран следует присоединять к корпусу на обоих концах. Если контур заземления имеет высокий импеданс, если на нем присутствуют шумы или по нему протекает ток, разорвите подключение экрана с одного конца, чтобы исключить протекание тока через контур заземления.

1.7 Установка преобразователя частоты

 **ПРЕДУПРЕЖДЕНИЕ**
**ОПАСНОСТЬ ПОРАЖЕНИЯ ЭЛЕКТРИЧЕСКИМ ТОКОМ**

Прикосновение к открытому электродвигателю, кабелю питания, вилке или клемме постоянного тока может привести к летальному исходу или серьезной травме.

- Чтобы обеспечить соответствие классу защиты IP20, все разъемы и защитные клеммные крышки двигателя, сети электропитания и подключений постоянного тока следует устанавливать в корпус IP20. При отсутствии разъемных и клеммных крышек действует класс защиты IP00.

Место установки имеет большое значение. Полный выходной ток доступен при соблюдении следующих условий установки. Если температура и высота над уровнем моря выходят за пределы этих диапазонов, см. раздел «Снижение номинальных характеристик» в руководстве по проектированию соответствующего изделия.

- Макс. температура окружающей среды: 45 °C (113 °F) в среднем в течение 24 ч и 50 °C (122 °F) в течение 1 ч.
 - Мин. температура окружающей среды: 0 °C (32 °F).
 - Высота < 1000 м (3280 футов) над уровнем моря.
1. Определите размер корпуса. См. рис. 1.
 2. Определите любые опции, требующие дополнительной проводки и настройки, используя код типа. См. шаг 1 в разделе «Иллюстрации».

При сканировании QR-кода на передней крышке открывается страница поиска документации. Используйте номер опции для поиска соответствующей документации. Например, MCA 120 для поиска документации по VLT® PROFINET MCA 120.

3. Убедитесь, что условия эксплуатации и электрическая установка соответствуют следующим стандартам.
 - a. Помещение без кондиционирования/степень загрязнения 2.
 - b. Категория по перенапряжению 3.
4. Ознакомьтесь со схемой электрических соединений. См. шаг 2 в разделе «Иллюстрации».

Вся проводка должна соответствовать государственным и местным нормам и правилам в отношении сечения проводов и температуры окружающей среды. Ослабленные соединения могут привести к отказам в работе оборудования или ухудшению рабочих характеристик. Затяните клеммы, используя значения момента затяжки из шага 9 раздела «Иллюстрации».

5. Проверьте характеристики предохранителей. См. шаг 3 в разделе «Иллюстрации».

Преобразователь частоты подходит для использования в схеме, способной при напряжении 480/600 В выдавать номинальный ток короткого замыкания (SCCR) не более 100 кА. Номинальные характеристики автоматических выключателей и переключателей SCCR см. в руководстве по проектированию соответствующего изделия.

6. Проверьте технические характеристики силового кабеля. См. шаг 4 в разделе «Иллюстрации».

Используйте медный провод с теплостойкостью не менее 70 °C (158 °F). Информацию о применении алюминиевых проводов см. в руководстве по проектированию соответствующего изделия.

7. Установите преобразователь частоты, выполнив шаги, обозначенные цифрами в разделе «Иллюстрации». Некоторые иллюстрации/шаги относятся к определенным размерам корпусов и обозначены соответствующим образом.
 - a. Установите на преобразователь частоты компоненты из пакета с комплектом принадлежностей (шаг 5).

- b. Установите преобразователь частоты на твердой негорючей монтажной поверхности, например бетонной или металлической (шаг 6). Для надлежащего охлаждения оставьте зазор не меньше минимального над преобразователем частоты и под ним.

D3h–D4h предназначены для настенного монтажа, D1h–D2h и D5h–D6h могут монтироваться на стене или на полу, а D7h–D8h — на полу.

- c. Прodelайте отверстия для кабелей в пластине для ввода кабелей (шаг 7).
 - d. Установите проводку для подключения элементов управления (шаг 8).
 - e. Установите проводку двигателя, сети питания и заземления (шаг 9).
 - f. Проложите кабели управления к левой стороне преобразователя частоты.
8. Надежно закрепите крышку преобразователя частоты.
9. Выполните начальную настройку преобразователя частоты и двигателя. Подробнее см. в соответствующем руководстве по программированию.

При установке плат обеспечения безопасности необходимо проложить дополнительную проводку и настроить соответствующие параметры. Более подробную информацию об установке плат обеспечения безопасности см. в руководстве по эксплуатации конкретного устройства функциональной безопасности, например в руководстве по эксплуатации функции Safe Torque Off.

1.8 Пожарный/аварийный режим

В пожарном/аварийном режиме преобразователь частоты может быть настроен на самопроизвольное отключение, чтобы системы (например, вентиляция, водяные насосы) продолжали работать как можно дольше.

Перед включением пожарного/аварийного режима убедитесь в том, что все соответствующие параметры двигателя и системы настроены правильно. Danfoss рекомендует запустить систему на минимальной скорости с разгоном до максимальной, а затем полностью остановить ее, чтобы убедиться в том, что она работает надлежащим образом, не выдавая предупреждений и аварийных сигналов на панели местного управления. Невыполнение этой операции перед включением пожарного/аварийного режима может привести к аннулированию гарантии. Дополнительные указания по настройке пожарного/аварийного режима см. в *группе параметров 24-** Прикладные функции 2* в руководстве по программированию VLT. Также можно обратиться в местное представительство Danfoss.

1.9 Потери мощности и КПД

Данные о потерях мощности, в том числе потерях при частичной нагрузке, см. по адресу <https://ecosmart.mydrive.danfoss.com>.

1 Kurulum

1.1 Kalifiye Personel

Yalnızca kalifiye personelin Danfoss sürücülerini kurmasına, devreye almasına ve bakımını yapmasına izin verilir. Kalifiye personel, sürücüyü ilgili yasa ve yönetmeliklere uygun olarak monte etme ve kablolama konusunda bilgili ve yetkili eğitilmiş kişilerdir. Ayrıca kalifiye personel, bu kurulum kılavuzunda açıklanan talimatlara ve güvenlik önlemlerine aşina olmalıdır.

1.2 Güvenlik Sembolleri

Bu kılavuzda aşağıdaki semboller kullanılmıştır:

TEHLİKE

Önlenmediği takdirde ölüm veya ciddi yaralanma ile sonuçlanacak tehlikeli bir durumu belirtir.

UYARI

Önlenmediği takdirde ölüm veya ciddi yaralanma ile sonuçlanabilecek tehlikeli bir durumu belirtir.

DİKKAT

Önlenmediği takdirde küçük veya orta derecede yaralanmayla sonuçlanabilecek tehlikeli bir durumu belirtir.

BİLDİRİM

Önemli olarak kabul edilen ancak tehlikeyle ilgili olmayan bilgileri gösterir (örneğin, maddi hasarla ilgili mesajlar).

1.3 Güvenlik Önlemleri

UYARI



GÜVENLİK FARKINDALIĞI EKSİKLİĞİ

Kurulumla başlamadan önce, bu kurulum kılavuzundaki tüm güvenlik yönergelerini ve önlemlerini okuyun. Ürüne özel işletim, dizayn ve programlama kılavuzları gibi ek belgelere ve ayrıca işlevsel güvenlik kılavuzlarına ön kapaktaki QR kodu taranarak erişilebilir. PC araçları ve MyDrive® ecoSmart™ www.danfoss.com adresinden indirilebilir.

Bu kılavuz, yaralanmaları ve ekipmanın veya sistemin zarar görmesini önlemeyle ilgili önemli bilgiler verir. Bu bilgilerin göz ardı edilmesi can kaybına, ciddi yaralanmaya veya ekipmanda ciddi hasara yol açabilir.

- Uygulamada bulunan tehlikeleri ve güvenlik önlemlerini tam olarak anladığınızdan emin olun.
- Sürücü üzerinde herhangi bir elektrik çalışması yapmadan önce, sürücüye giden tüm güç kaynaklarını kilitleyin ve etiketleyin.

UYARI**AĞIR YÜK TAŞIMA**

Sürücü ağırdır. Ağır nesnelerin yanlış kaldırılması ölüme, yaralanmaya veya maddi hasara neden olabilir.

- Kaldırma ile ilgili yerel güvenlik yönetmeliklerine uyun.
- Sürücünün ağırlığını kontrol edin. Ağırlık, sevkiyat ambalajının dış kısmında belirtilmiştir.
- Kaldırma ekipmanı kullanılıyorsa ekipmanın uygun çalışma koşullarında olduğundan ve sürücünün ağırlığını güvenli bir şekilde kaldırabileceğinden emin olun.
- Uygun ağırlık merkezini doğrulamak için sürücüyü test kaldırmasına tabi tutun. Düz değilse kaldırma noktasını yeniden konumlandırın.

UYARI**TEHLİKELİ VOLTAJ**

Sürücüler, AC veya DC beslemesine bağlandığında tehlikeli voltaj içerir. Kurulum, başlatma ve bakımın kalifiye personel tarafından yapılması, ölüme veya ciddi yaralanmalara neden olabilir.

- Kurulum, çalıştırma ve bakım işlemlerini yalnızca kalifiye personel gerçekleştirmelidir.

UYARI**DEŞARJ SÜRESİ**

Sürücü, çalıştırılmadığında dahi yüklü kalmaya devam edebilen DC hattı kapasitörleri içerir. Uyarı gösterge ışıkları kapalıyken bile yüksek voltaj mevcut olabilir. Güç kesildikten sonra servis veya onarım işi yapmadan önce belirtilen süre kadar beklenmemesi ölüme veya ciddi yaralanmaya neden olabilir.

- Motoru durdurun
- Sabit mıknatıslı tipteki motorlar dahil tüm güç kaynaklarının bağlantısını kesin.
- Kapasitörlerin tamamen deşarj olmasını bekleyin. Deşarj süresi sürücü isim plakasında belirtilmiştir.
- Tam deşarjı doğrulamak için voltaj seviyesini ölçün.

UYARI**İSTENMEYEN BAŞLATMA**

Sürücü AC beslemesine veya DC terminallerine bağlandığında, motor herhangi bir zamanda çalışabilir ve ölüm, ciddi yaralanma ve ekipman veya mal hasarı riskine neden olabilir.

- Parametreleri yapılandırmadan önce sürücüyü ve motoru durdurun.
- Sürücünün harici anahtar, bir fieldbus komutu, kontrol panelinden bir giriş referans sinyali veya temizlenmiş bir hata koşulundan sonra başlatılamayacağından emin olun.
- Güvenlik koşulları, motorun istenmeden başlamasının önlenmesini gerektirdiğinde sürücünün şebekeyle bağlantısını kesin.
- Sürücü, motor ve sürülen ekipmanın işletime hazır durumda olup olmadığını kontrol edin.

⚠ DİKKAT**DAHİLİ ARIZA TEHLİKESİ**

Sürücü uygun şekilde kapatılmadığında, sürücüde oluşabilecek dahili arıza ciddi yaralanmalara yol açabilir.

- Güç vermeden önce tüm güvenlik kapaklarının yerinde olduğundan ve sıkıca kapatıldığından emin olun.

⚠ UYARI**ELEKTRİK ÇARPMASI VE YANGIN TEHLİKESİ**

Sürücü, topraklama iletkeninde DC akımına sebep olabilir. B Tipi artık akımla çalışan koruyucu aygıtın (RCD) kullanılmaması, ölüm, yangın veya diğer ciddi tehlikelerle sonuçlanabilecek şekilde RCD'nin amaçlanan korumayı sağlamamasına neden olabilir.

- RCD aygıtı kullanın.
- Elektrik çarpması veya yangına karşı koruma için bir RCD kullanırken besleme tarafında yalnızca B Tipi bir aygıt kullanın.

⚠ UYARI**ENDÜKLENMİŞ VOLTAJ**

Birlikte çalışan çıkış motor kablolarından gelen endüklenen voltaj, ekipman kapalı ve kilitli/etiketli olsa bile ekipman kapasitörlerini şarj edebilir. Çıkış motor kablolarının ayrı döşenmemesi veya blendajlı kablo kullanılmaması ölüme veya ciddi yaralanmalara yol açabilir.

- Çıkış motor kablolarını ayrı çalıştırın veya blendajlı kablolar kullanın.
- Tüm sürücülerini aynı anda devre dışı bırakarak kilitleyin ve etiketleyin.

⚠ UYARI**ELEKTRİK ÇARPMASI TEHLİKESİ**

Blendajlı motor kablosunun kaçak kapasitansı nedeniyle kaçak akımlar 3,5 mA'yı aşar. Sürücünün uygun şekilde topraklanmaması, ölüme veya ciddi yaralanmalara yol açabilir.

- Topraklama iletkeninin minimum boyutunun, yüksek temas akımı ekipmanı için yerel güvenlik yönetmeliklerine uygun olduğundan emin olun.
- IEC 60364-5-54 madde 543.7'ye veya yerel güvenlik yönetmeliklerine uygun olarak kaçak akımı >3,5 mA olan takviyeli bir topraklama iletkeni kullanın.
- Takviyeli topraklama için:
 - En az 10 mm² kesitli (8 AWG) Bakır veya 16 mm² kesitli (6 AWG) Alüminyum bir topraklama iletkeni veya IEC 60364-5-54'te tarif edildiği üzere orijinal topraklama iletkeni ile aynı kesit alanına sahip ek bir topraklama iletkeni kullanın. İletkenler mekanik olarak korunan 2,5 mm² (14 AWG) minimum kesit alanlı veya mekanik olarak korunmayan 4 mm² (12 AWG) kesit alanlı olmalıdır.
 - Muhafaza içinde bulunan veya uzunluğu boyunca mekanik hasara karşı korunmuş bir topraklama iletkeni kullanın.
 - Kalıcı olarak bağlanan veya sanayi tipi prizle takılan, minimum 2,5 mm² kesitli (14 AWG) PE iletken ile bir çok iletkenli güç kablosunun parçası olarak çalışan topraklama iletkeni kullanın. Çok iletkenli elektrik kablosu uygun bir gerginlik giderici kullanılarak takılmalıdır.

⚠ DİKKAT**TERMİSTÖR YALITIMI**

Kişisel yaralanma veya ekipman hasarı riski.

- PELV yalıtım gerekliliklerini karşılamak üzere yalnızca takviyeli veya çift yalıtımlı termistörler kullanın.

BİLDİRİM**AŞIRI ISI VE MADDİ HASAR**

Aşırı akım, sürücü içinde aşırı ısı oluşturabilir. Aşırı akım korumasının sağlanmaması, yangın ve maddi hasar riski doğurabilir.

- Çok motorlu uygulamalar için sürücü ile motor arasında kısa devre koruması ya da motor termal koruması gibi ek koruma aygıtları gereklidir.
- Giriş sigortası, kısa devre ve aşırı akım koruması için gereklidir. Sigortalar fabrika tarafından gönderilmiyorsa bunları montajcı temin etmelidir. Sigorta teknik özellikleri için ürüne özgü belgelere bakın.

BİLDİRİM**MADDİ HASAR**

Motor aşırı yüküne karşı koruma varsayılan olarak etkin değildir. ETR işlevinin ayarlanamaması, motor aşırı yük korumasının sağlanmadığı ve motorun aşırı ısınması durumunda maddi hasar meydana gelebileceği anlamına gelir.

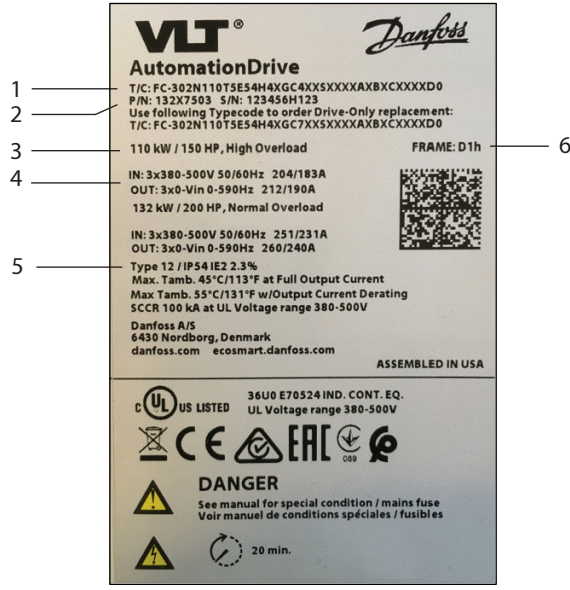
- Sınıf 20 motor aşırı yük koruması sağlamak için ETR işlevini etkinleştirin. Daha fazla bilgi için programlama kılavuzuna bakın.

1.4 Gerekli Aletler

- Kaldırma gereci
- Şerit metre
- Çeşitli matkap uçlarıyla delin
- Tornavidalar (Torx, Phillips, düz yarık)
- 7-17 mm lokmalı anahtar
- Lokma uzantıları
- Sac metal zımba ve/veya pense
- Kablo sıkıştırıcı

1.5 Sevkiyatın ve İçeriğinin Doğrulanması

Tedarik edilen öğelerin ve ürün etiketinin siparişle eşleştiğini doğrulayın. Ürün etiketi sürücünün dışındadır.



e30bb076.10

Şekil 1: Ürün Etiketİ Örneđi

1	Tür kodu	2	Parça numarası ve seri numarası
3	Güç değeri	4	Giriş/çıkış voltajı, frekansı ve akımı
5	Muhafaza koruma derecesi	6	Muhafaza boyutu

1.6 EMC Uyumlu Kurulum

Daha fazla bilgi için işletim veya dizayn kılavuzuna bakın.

- Motor çıkışı (metal kanalda blendajsız kablolar kabul edilebilir), fren, DC ve kontrol telleri için blendajlı kablolar kullanın.
- Tüm sistemden gelen parazit seviyesini azaltmak için motor, fren ve DC kablolarını mümkün olduğunca kısa tutun. Şebeke girişi, motor kabloları ve kontrol kabloları arasında minimum 200 mm (7,9 inç) boşluk bırakın.
- Akımları bir metal montaj plakası ve uygun EMC bağlama kelepçeleri kullanarak sürücüye geri yönlendirin. Montaj plakasından, montaj vidaları aracılığıyla muhafazanın metal kasasına elektrik temasının iyi olmasını sağlayın.
- Blendaj bağlantı noktalarında voltaj potansiyel farkı varsa blendajlı kabloya paralel olarak düşük empedans dengeleme teli bağlayın.
- Röleler, kontrol kabloları, sinyal arabirimi, fieldbus veya fren kullanılacağı zaman blendajı her iki uçtan muhafazaya bağlayın. Toprak yolunun empedansı yüksekse, gürültülüyse veya akım taşıyorsa, toprak akımı döngülerini önlemek için blendaj bağlantısını bir uçtan kesin.

1.7 Sürücünün Kurulumu

 **UYARI**
**ŞOK TEHLİKESİ**

Kapaksız bir motora, şebekeye veya DC bağlantı fişine ya da terminaline dokunmak ölüme veya ciddi yaralanmalara neden olabilir.

- Motor, şebeke ve DC bağlantıları için tüm fişler ve terminal koruma kapakları, IP20 koruma derecesi sağlamak üzere IP20 muhafazanın içine takılmalıdır. Fiş ve terminal kapakları takılı değilse, koruma derecesi IP00 olarak kabul edilir.

Kurulum yeri önemlidir. Aşağıdaki kurulum koşulları sağlandığında tam çıkış akımı kullanılabilir. Bu aralığın dışındaki sıcaklıklar ve rakımlar için, ürüne özel dizayn kılavuzundaki Azaltma bölümlerine bakın.

- Maksimum ortam sıcaklığı: 24 saat boyunca ortalama 45°C (113°F) ve 1 saat boyunca 50°C (122°F).
- Minimum ortam sıcaklığı: 0°C (32°F).
- Rakım deniz seviyesinden < 1000 m (3280 ft).

1. Muhafaza boyutunu belirleyin. Çizim 1'e bakın.
2. Tür kodunu kullanarak ekstra kablolu ve kurulum gerektiren seçenekleri belirleyin. Resimler bölümündeki adım 1'e bakın.

Kapaktaki QR kodunun taranması, dokümantasyon arama sayfasını açar. İlgili belgeleri aramak için seçenek numarasını kullanın. Örneğin, VLT® PROFINET MCA 120 belgelerini aramak için MCA 120'yi kullanın.

3. Çalışma ortamının ve elektrik kurulumunun aşağıdaki standartları karşıladığından emin olun.
 - a. İç mekan koşulsuz/kirlilik derecesi 2.
 - b. Aşırı Voltaj Kategorisi 3.
4. Kablo şemasını gözden geçirin. Resimler bölümündeki adım 2'ye bakın.

Tüm kablo tesisatı, kablo kesiti ve ortam sıcaklığı gereklilikleriyle ilgili ulusal ve yerel düzenlemelere uygun olmalıdır. Gevşek bağlantılar ekipman arızalarına veya düşük performansla neden olabilir. Terminalleri, Resimler bölümündeki adım 9'da gösterilen doğru tork değerine göre sıkın.

5. Sigorta teknik özelliklerini gözden geçirin. Resimler bölümündeki adım 3'e bakın.

Sürücü, 480/600 V'da 100 kA kısa devre akım değeri (SCCR) teslim etme kapasitesine sahip bir devrede kullanım için uygundur. Devre kesici ve anahtar SCCR değerleri için, ürüne özel dizayn kılavuzuna bakın.

6. Güç kablosu teknik özelliklerini inceleyin. Resimler bölümündeki adım 4'e bakın.

Minimum 70°C (158°F) dereceli bakır tel kullanın. Alüminyum tel için ürüne özel dizayn kılavuzuna bakın.

7. Sürücüyü Çizimler bölümünde numaralandırılmış adımları izleyerek kurun. Belirli çizimler/adımlar belirli muhafaza boyutlarına aittir ve bu şekilde işaretlenmiştir.

- a. Aksesuar çantası bileşenlerini sürücüye takın (adım 5).
- b. Sürücüyü beton veya metal gibi yanmaz, sağlam bir montaj yüzeyi üzerine veya üzerine monte edin (adım 6). Sürücünün üstünde ve altında minimum açıklık sağlayarak uygun soğutmayı sağlayın.

D3h-D4h duvara montajlı, D1h-D2h ve D5h-D6h duvara veya zemine montajlı, D7h-D8h ise zemine montajlıdır.

- c. Kablo giriş plakasında kablo açıklıkları oluşturun (adım 7).
- d. Kontrol tellerini takın (adım 8).

- e. Motoru, şebekeyi ve topraklama kablolarını takın (adım 9).
- f. Kontrol kablolarını sürücünün sol tarafına yönlendirin.
8. Kapağı güvenli bir şekilde sürücüye sabitleyin.
9. İlk sürücü ve motor kurulumunu gerçekleştirin. Ürüne özgü programlama kılavuzuna başvurun.

İşlevsel güvenlik opsiyonları ekstra kablo tesisatı ve parametre yapılandırması gerektirir. Güvenlik opsiyonunun kurulumu hakkında daha fazla bilgi için Safe Torque Off İşletim Kılavuzu gibi özel işlevsel güvenlik işletim kılavuzuna bakın.

1.8 Yangın/Acil Durum Modu

Yangın/acil durum modunda çalıştırırken, frekans konvertörü, uygulamaların (örneğin havalandırma veya su pompaları) mümkün olduğunca uzun süre çalışmaya devam edebilmesi için kendini feda edecek şekilde programlanabilir.

Yangın/acil durum modunu etkinleştirmeden önce, motor ve uygulama için ilgili tüm parametrelerin doğru yapılandırıldığından emin olun. Danfoss, uygulamanın minimum hızdan maksimum hıza çalıştırılmasını ve ardından lokal kontrol panelinde herhangi bir uyarı veya alarmı tetiklemeden doğru çalıştığını doğrulamak için uygulamanın tamamen durdurulmasını önerir. Yangın/acil durum modunu etkinleştirmeden önce bu adımın tamamlanmaması garantinin geçersiz olmasına neden olabilir. Yangın/acil durum modunun yapılandırılmasıyla ilgili daha fazla talimat için VLT programlama kılavuzundaki **24-** Uygulama İşlevleri 2 Parametre Grubuna** bakın veya yerel Danfoss ofisinizle iletişime geçin.

1.9 Güç Kayıpları ve Verimlilik

Parça yük kayıpları da dahil olmak üzere güç kaybı verileri için bkz. <https://ecosmart.mydrive.danfoss.com>.

1 Instalação

1.1 Pessoal qualificado

Somente pessoal qualificado tem permissão para instalar, colocar em funcionamento e manter os conversores Danfoss. Pessoal qualificado são pessoas treinadas que estão familiarizadas e autorizadas a montar e a conectar o conversor em conformidade com as leis e regulamentações pertinentes. Além disso, o pessoal qualificado precisa estar familiarizado com as instruções e medidas de segurança descritas neste guia de instalação.

1.2 Símbolos de Segurança

Os seguintes símbolos são usados neste guia:



Indica uma situação perigosa que, se não for prevenida, resultará em morte ou ferimentos graves.



Indica uma situação perigosa que, se não for prevenida, poderá resultar em morte ou ferimentos graves.



Indica uma situação perigosa que, se não for prevenida, poderá resultar em ferimentos leves ou moderados.

AVISO

Indica informações consideradas importantes, mas não relacionadas a riscos (por exemplo, mensagens relacionadas a danos materiais).

1.3 Precauções de segurança



FALTA DE CONSCIENTIZAÇÃO SOBRE SEGURANÇA

Antes de iniciar a instalação, leia todas as orientações de segurança e precauções contidas neste guia de instalação. Documentação adicional, como o guia de operação, o guia de design e o guia de programação específicos do produto, e os guias de segurança funcional, pode ser acessada com a leitura do código QR contido na tampa frontal. As ferramentas para PC e o MyDrive® ecoSmart™ podem ser baixados em www.danfoss.com.

Este guia fornece informações importantes sobre como evitar lesões e danos ao equipamento ou sistema. Ignorar estas informações pode levar à morte, a lesões graves ou a danos graves ao equipamento.

- Certifique-se de entender completamente os perigos e as medidas de segurança presentes na aplicação.
- Antes de realizar qualquer trabalho elétrico no conversor, bloqueie e sinalize todas as fontes de energia para o conversor.

 **ADVERTÊNCIA****IÇAMENTO DE CARGA PESADA**

O conversor é pesado. Levantar objetos pesados incorretamente pode resultar em morte, lesões ou danos materiais.

- Siga as normas de segurança locais sobre içamento.
- Verifique o peso do conversor. O peso é fornecido na parte externa da caixa de transporte.
- Se equipamento de içamento for usado, certifique-se de que ele esteja em condições de trabalho adequadas e tenha capacidade para levantar com segurança o peso do conversor.
- Tente içar o conversor para verificar o centro da gravidade correto. Reposicione o ponto de içamento se não estiver nivelado.

 **ADVERTÊNCIA****TENSÃO PERIGOSA**

Os conversores contêm tensão perigosa quando conectados à alimentação CA ou CC. Caso a instalação, inicialização e manutenção não sejam realizadas por pessoal qualificado, podem ocorrer mortes ou lesões graves.

- Somente pessoal qualificado deve realizar a instalação, inicialização e manutenção.

 **ADVERTÊNCIA****TEMPO DE DESCARGA**

O conversor contém capacitores no barramento CC, que podem permanecer carregados até mesmo quando o conversor não estiver ligado. Pode haver alta tensão presente mesmo quando as luzes indicadoras de advertência estiverem apagadas. Se o tempo especificado após a energia ter sido desligada não for aguardado para executar ou serviço de manutenção, isto pode resultar em morte ou ferimentos graves.

- Pare o motor
- Desconecte todas as fontes de alimentação, incluindo motores de ímã permanente.
- Aguarde os capacitores se descarregarem por completo. O tempo de descarga é especificado na plaqueta de identificação do conversor.
- Meça o nível de tensão para verificar a descarga completa.

 **ADVERTÊNCIA****PARTIDA ACIDENTAL**

Quando o conversor está conectado à rede elétrica CA, ou conectado aos terminais CC, o motor pode dar partida a qualquer momento, gerando risco de morte, ferimentos graves e danos à propriedade ou ao equipamento.

- Pare o conversor e o motor antes de configurar parâmetros.
- Certifique-se de que o conversor não possa ser iniciado por interruptor externo, um comando de fieldbus, um sinal de referência de entrada do painel de controle ou após uma condição de falha resolvida.
- Desconecte o conversor da rede elétrica sempre que houver necessidade por considerações de segurança, para evitar a partida involuntária do motor.
- Verifique se o conversor, o motor e qualquer equipamento acionado está pronto para ser operado.

 **CUIDADO****RISCO DE FALHA INTERNA**

Uma falha interna no conversor pode resultar em lesões graves quando o conversor não estiver fechado corretamente.

- Assegure que todas as tampas de segurança estão no lugar e bem presas antes de aplicar energia.

 **ADVERTÊNCIA****PERIGO DE CHOQUE ELÉTRICO E INCÊNDIO**

O conversor pode gerar uma corrente CC no condutor de aterramento. A não utilização de um dispositivo de proteção operado por corrente residual (RCD) Tipo B pode levar o RCD a não fornecer a proteção pretendida, o que pode resultar em morte, incêndio ou outros perigos graves.

- Use um dispositivo RCD.
- Quando um RCD for usado para proteção contra choque elétrico ou incêndio, use somente um dispositivo Tipo B no lado da alimentação.

 **ADVERTÊNCIA****TENSÃO INDUZIDA**

A tensão induzida dos cabos de motor de saída que correm juntos pode carregar os capacitores do equipamento, mesmo com o equipamento desligado e bloqueado/sinalizado. Não passar os cabos de motor de saída separadamente ou não usar cabos blindados pode resultar em morte ou ferimentos graves.

- Passe os cabos de motor de saída separadamente ou use cabos blindados.
- Bloqueie/sinalize simultaneamente todos os conversores.

 **ADVERTÊNCIA**
**RISCO DE CHOQUE ELÉTRICO**

Devido à capacitância parasita do cabo de motor blindado, as correntes de fuga excedem 3,5 mA. Não aterrar o conversor corretamente pode resultar em morte ou lesões graves.

- Certifique-se de que a dimensão mínima do condutor de aterramento está em conformidade com as normas de segurança locais para equipamentos de elevada corrente de fuga.
- Use um condutor de aterramento reforçado de acordo com a norma IEC 60364-5-54 cl. 543.7 ou as normas de segurança locais para equipamentos com corrente de fuga > 3,5 mA.
- Para aterramento reforçado:
 - Use um condutor de aterramento com uma seção transversal mínima de 10 mm² (8 AWG) Cu ou 16 mm² (6 AWG) Al, ou um condutor de aterramento adicional com a mesma seção transversal do condutor de aterramento original, conforme especificado na norma IEC 60364-5-54, com uma seção transversal mínima de 2,5 mm² (14 AWG) mecanicamente protegida ou de 4 mm² (12 AWG) não mecanicamente protegida.
 - Use um condutor de aterramento dentro de um gabinete metálico ou protegido em todo o seu comprimento contra danos mecânicos.
 - Use um condutor de aterramento que faça parte de um cabo de energia multicondutor com seção transversal mínima do condutor de PE de 2,5 mm² (14 AWG) conectado permanentemente ou por um conector industrial. O cabo de energia multicondutor deve ser instalado com um alívio de tensão adequado.

 **CUIDADO**
ISOLAMENTO DO TERMISTOR

Risco de lesões a pessoas ou danos ao equipamento.

- Para atender aos requisitos de isolamento PELV, use apenas termistores com isolamento reforçado ou duplo.

AVISO**CALOR EXCESSIVO E DANOS AO PATRIMÔNIO**

Sobrecorrente pode gerar calor excessivo dentro do conversor. Não fornecer uma proteção contra sobrecorrente pode resultar em riscos de incêndio e danos materiais.

- Dispositivos de proteção adicionais, como proteção contra curto-circuito ou proteção térmica do motor entre o conversor e o motor, são necessários para aplicações com vários motores.
- Proteção fusível na entrada é necessária para fornecer proteção contra curto-circuito e sobrecorrente. Se os fusíveis não forem fornecidos de fábrica, devem ser fornecidos pelo instalador. Consulte a documentação específica do produto para obter as especificações dos fusíveis.

AVISO**DANOS À PROPRIEDADE**

A proteção contra sobrecarga do motor não está ativa por padrão. A falha na configuração da função ETR significa que a proteção contra sobrecarga do motor não é fornecida e danos à propriedade podem ocorrer se o motor superaquecer.

- Para fornecer proteção de sobrecarga do motor classe 20, ative a função ETR. Para obter mais informações, consulte o guia de programação.

1.4 Ferramentas necessárias

- Auxílio de elevação
- Fita métrica
- Furadeira com brocas variadas
- Chaves de fenda (Torx, Phillips, fenda)
- Chave inglesa com soquetes de 7–17 mm
- Prolongamentos de soquetes
- Perfurador de chapa metálica e/ou alicate
- Crimpador de fios

1.5 Verificação de envio e do seu conteúdo

Verifique se os itens fornecidos e as informações na etiqueta do produto correspondem ao pedido. A etiqueta do produto está localizada na parte externa do conversor.



Figura 1: Exemplo de uma etiqueta de produto

1	Código do tipo	2	Número de peça e número de série
3	Valor nominal da potência	4	Tensão, frequência e corrente de entrada/saída
5	Características nominais de proteção do gabinete metálico	6	Tamanho do gabinete

1.6 Instalação compatível com EMC

Para obter mais informações, consulte o guia de design ou de operação.

- Use cabos blindados para a saída do motor (são aceitáveis cabos não blindados em conduítes metálicos), freio, CC e fiação de controle.
- Certifique-se de que os cabos de motor, freio e CC sejam o mais curto possível para reduzir o nível de interferência de todo o sistema. Forneça uma distância mínima de 200 mm (7,9 pol.) entre os cabos de entrada da rede elétrica, cabos do motor e cabos de controle.

- Faça a condução das correntes de volta para o conversor usando uma placa de montagem metálica e braçadeiras de ligação EMC adequada. Garanta um bom contato elétrico da placa de montagem com os parafusos de montagem até o chassi metálico do gabinete.
- Se houver uma diferença de potencial de tensão nos pontos de conexão da blindagem, conecte um fio de equalização de baixa impedância paralelo ao cabo blindado.
- Ao usar relés, cabos de controle, uma interface de sinal, fieldbus ou freio, conecte a blindagem ao gabinete metálico nas duas extremidades. Se o percurso de aterramento tiver uma alta impedância, for ruidoso ou estiver transportando corrente, interrompa a conexão da blindagem em uma extremidade para evitar loops de corrente de aterramento.

1.7 Instalação do drive

ADVERTÊNCIA



PERIGO DE CHOQUE

Tocar em um motor, rede elétrica ou plugue ou terminal de conexão CC descobertos pode resultar em morte ou lesões graves.

- Todos os plugues e tampas de proteção de terminal de motor, rede elétrica e conexões CC precisam ser instalados dentro do gabinete IP20 para fornecer características nominais de proteção IP20. Se o plugue e as tampas dos terminais não estiverem instalados, as características nominais de proteção serão consideradas como IP00.

O local de instalação é importante. A corrente de saída total estará disponível quando estas condições de instalação forem atendidas. Para temperaturas e altitudes fora dessa faixa, consulte as seções de derating no guia de design específico do produto.

- Temperatura ambiente máxima: média de 45 °C (113 °F) ao longo de 24 horas e de 50 °C (122 °F) por 1 hora.
 - Temperatura ambiente mínima: 0 °C (32 °F).
 - Altitude < 1.000 m (3.280 pés) acima do nível do mar.
1. Identifique o tamanho do gabinete. Veja a Ilustração 1.
 2. Identifique todos os opcionais que precisam de fiação e setup adicionais por meio do código do tipo. Consulte a etapa 1 na seção Ilustrações.

A leitura do código QR na tampa abre a página de pesquisa de documentação. Use o número do opcional para procurar documentação relacionada. Por exemplo, use MCA 120 para procurar a documentação do VLT® PROFINET MCA 120.

3. Certifique-se de que o ambiente operacional e a instalação elétrica atendam às seguintes normas.
 - a. Interno não condicionado/grau de poluição 2.
 - b. Categoria de sobretensão 3.
4. Revise o diagrama de fiação. Consulte a etapa 2 na seção Ilustrações.

Toda a fiação deverá estar em conformidade com as regulamentações locais e nacionais com relação à seção transversal e aos requisitos de temperatura ambiente. Conexões soltas podem causar falhas no equipamento ou menor desempenho. Aperte os terminais de acordo com o valor de torque adequado mostrado na etapa 9, na seção Ilustrações.

5. Revise as especificações do fusível. Consulte a etapa 3 na seção Ilustrações.

O conversor pode ser adequado para uso em um circuito capaz de fornecer características nominais da corrente de curto-circuito (SCCR) de até 100 kA a 480/600 V. Para saber as características nominais do disjuntor e da chave SCCR, consulte o guia de design específico do produto.

6. Revise as especificações do cabo de energia. Consulte a etapa 4 na seção Ilustrações.

Use fio de cobre com características nominais mínimas de 70 °C (158 °F). Para fio de alumínio, consulte o guia de design específico do produto.

7. Instale o conversor seguindo os passos enumerados na seção Ilustrações. Certas ilustrações/etapas se referem a tamanhos específicos de gabinete e são marcadas como tais.
 - a. Prenda os componentes da sacola de acessórios no conversor (etapa 5).
 - b. Monte o conversor sobre ou junto a uma superfície de montagem sólida e não inflamável, como concreto ou metal (etapa 6). Garanta uma refrigeração adequada fornecendo espaço livre mínimo acima e abaixo do conversor.

D3h–D4h são montados na parede, D1h–D2h e D5h–D6h são montados na parede ou no piso, e D7h–D8h são montados no piso.

- c. Crie aberturas para cabos na placa de entrada de cabos (etapa 7).
 - d. Instale a fiação de controle (etapa 8).
 - e. Instale a fiação do motor, da rede elétrica e de aterramento (etapa 9).
 - f. Passe os cabos de controle em direção ao lado esquerdo do conversor.
8. Fixe bem a tampa no conversor.
9. Faça a configuração inicial do conversor e do motor. Consulte o guia de programação específico do produto.

Os opcionais de segurança funcional exigem fiação adicional e configuração de parâmetros. Consulte o guia de operação de segurança funcional específico, como o Guia de Operação de Safe Torque Off, para obter mais informações sobre como instalar o opcional de segurança.

1.8 Fire Mode/Modo de emergência

Ao funcionar em Fire Mode/Modo de emergência, o conversor de frequência pode ser programado para se sacrificar para que a aplicação (por exemplo, ventilação ou bombas de água) continue funcionando pelo máximo de tempo possível.

Antes de ativar o Fire Mode/Modo de emergência, certifique-se de que todos os parâmetros relevantes para o motor e a aplicação estejam configurados corretamente. A Danfoss recomenda executar a aplicação da velocidade mínima à máxima e, em seguida, parar completamente a aplicação para verificar se ela funciona corretamente sem acionar quaisquer advertências ou alarmes no painel de controle local. Caso essa etapa não seja realizada antes de ativar o Fire Mode/Modo de emergência, pode ocorrer a perda da garantia. Para obter mais instruções sobre a configuração do Fire Mode/Modo de emergência, consulte o **Grupo do parâmetro 24-** Funções da Aplicação 2** no Guia de Programação do VLT ou entre em contato com o escritório local da Danfoss.

1.9 Perdas de energia e eficiência

Para obter dados de perda de energia, incluindo perdas de carga parcial, consulte <https://ecosmart.mydrive.danfoss.com>.

1 설치

1.1 공인 기사

덴포스 드라이브의 설치, 작동, 및 유지보수는 공인 기사에게만 허용됩니다. 공인 기사는 관련 법률 및 규정에 따라 드라이브의 장착 및 배선을 잘 알고 있으며 이를 수행하도록 허가 및 교육을 받은 사람을 말합니다. 공인 기사는 본 설치 지침서에 기술된 지침 및 안전 조치 역시 숙지해야 합니다.

1.2 안전 기호

본 지침서에 사용된 기호는 다음과 같습니다.



위험

피하지 않을 경우, 사망 또는 중상으로 이어지는 위험한 상황을 나타냅니다.



경고

피하지 않을 경우, 사망 또는 중상으로 이어질 수 있는 위험한 상황을 나타냅니다.



주의

피하지 않을 경우, 경상 또는 중등도 상해로 이어질 수 있는 위험한 상황을 나타냅니다.

참고

중요하다고 간주되나 위험과 관련이 없는 정보(예: 재산 손실과 관련된 메시지)를 나타냅니다.

1.3 안전 주의사항



경고



안전 인식의 부족

설치를 시작하기 전에 본 설치 지침서의 모든 안전 지침과 주의사항을 읽으십시오. 제품별 운전 지침서, 설계 지침서, 프로그래밍 지침서 및 기능 안전 지침서 등 추가 문서는 전면 덮개의 QR 코드를 스캔하여 열람할 수 있습니다. PC 도구 및 MyDrive® ecoSmart™는 www.danfoss.com에서 다운로드할 수 있습니다.

본 지침서는 신체 상해 및 장비 또는 시스템 파손 방지에 대한 중요한 정보를 제공합니다. 이 정보를 무시할 경우 사망, 중상 또는 심각한 장비 파손으로 이어질 수 있습니다.

- 애플리케이션에 존재하는 위험 및 안전 조치를 완전히 이해하도록 하십시오.
- 드라이브에서 전기 작업을 수행하기 전에 드라이브에 연결된 모든 전원을 차단 및 태그아웃하십시오.

경고**과도한 하중물 리프팅**

이 드라이브는 무겁습니다. 무거운 물체를 잘못 리프팅하면 사망, 신체 상해 또는 재산 손실로 이어질 수 있습니다.

- 리프팅에 대한 현지 안전 규정을 준수하십시오.
- 드라이브의 중량을 점검하십시오. 중량은 배송 박스 겉면에 표시되어 있습니다.
- 리프팅 장비를 사용하는 경우, 리프팅 장비가 올바른 작동 상태이며, 드라이브 중량을 안전하게 들어 올릴 수 있는지 확인하십시오.
- 드라이브 리프팅을 시험하여 올바른 무게 중심을 확인하십시오. 수평이 아닌 경우 리프팅 지점을 다시 배치합니다.

경고**위험 전압**

드라이브는 AC 또는 DC 전원에 연결할 때 위험한 전압을 포함하고 있습니다. 공인 기사가 설치, 기동 및 유지보수를 수행하지 않으면 사망 또는 중상으로 이어질 수 있습니다.

- 오직 공인 기사만이 설치, 기동 및 유지보수를 수행해야 합니다.

경고**방전 시간**

드라이브에는 드라이브에 전원이 공급되지 않더라도 충전 상태를 유지할 수 있는 DC 링크 컨덴서가 포함되어 있습니다. 경고 표시등이 꺼져 있더라도 고전압이 있을 수 있습니다. 전원을 분리한 후 서비스 또는 수리 작업을 진행하기 전까지 지정된 시간 동안 기다리지 않으면 사망 또는 중상으로 이어질 수 있습니다.

- 모터를 정지하십시오.
- 영구 자석형 모터 등 모든 전원을 차단하십시오.
- 컨덴서가 완전히 방전될 때까지 기다리십시오. 방전 시간은 드라이브 명판에 명시되어 있습니다.
- 전압 수치를 측정하여 완전 방전 여부를 확인하십시오.

경고**의도하지 않은 기동**

드라이브가 AC 주전원에 연결되어 있거나 DC 단자에 연결되어 있는 경우, 모터가 아무 때나 기동하여 사망, 중상, 그리고 장비 또는 재산 손실의 위험을 야기할 수 있습니다.

- 파라미터를 구성하기 전에 드라이브와 모터를 정지시키십시오.
- 외부 스위치, 필드버스 명령이나 제어 패널의 입력 지령 신호를 통해 또는 결함 조건이 해결된 후에 드라이브를 기동할 수 없는지 확인하십시오.
- 안전을 고려하여 의도하지 않은 모터 기동을 방지하고자 하는 경우에는 주전원에서 드라이브를 분리하십시오.
- 드라이브, 모터 및 일체의 구동 장비가 운전할 준비가 되어 있는지 확인하십시오.

⚠ 주의

내부 결함 위험

드라이브가 올바르게 닫혀 있지 않으면 드라이브의 내부 결함 시 중상으로 이어질 수 있습니다.

- 전원을 공급하기 전에 모든 안전 덮개가 제자리에 안전하게 고정되어 있는지 확인해야 합니다.

⚠ 경고



감전 및 화재 위험

이 드라이브는 접지 도체에서 DC 전류를 발생시킬 수 있습니다. B형 잔류 전류 작동 보호 장치(RCD)를 사용하지 않으면 RCD가 본래의 보호 기능을 제공하지 못하여 사망, 화재 또는 기타 심각한 위험을 초래할 수 있습니다.

- RCD 장치를 사용하십시오.
- 감전이나 화재로부터 보호하기 위해 RCD를 사용하는 경우 공급장치 측에 있는 B형 장치만 사용하십시오.

⚠ 경고



유도 전압

나란히 배선된 출력 모터 케이블의 유도 전압은 장비가 꺼져 있거나 잠금 상태(락아웃/태그아웃)라도 장비 컨덴서를 충전할 수 있습니다. 출력 모터 케이블을 별도로 구동하지 않거나 차폐 케이블을 사용하지 않으면 사망 또는 중상으로 이어질 수 있습니다.

- 출력 모터 케이블을 별도로 구동하거나 차폐 케이블을 사용하십시오.
- 모든 드라이브를 동시에 잠그십시오(락아웃/태그아웃).

⚠ 경고



감전 위험

차폐 모터 케이블의 부유 용량(stray capacitance)으로 인해 누설 전류가 3.5mA를 초과합니다. 드라이브를 올바르게 접지하지 않으면 사망 또는 중상으로 이어질 수 있습니다.

- 접지 도체의 최소 크기가 접촉이 많은 전류 장비에 대한 현지 안전 규정을 준수하는지 확인하십시오.
- IEC 60364-5-54 543.7항 또는 누설 전류가 >3.5mA인 장비에 대한 현지 안전 규정에 따라 보강된 접지 도체를 사용하십시오.
- 보강된 접지의 경우:
 단면적이 최소 10mm²(8AWG) Cu 또는 16mm²(6AWG) Al 이상인 접지 도체 또는 IEC 60364-5-54에 명시된 원래의 접지 도체와 동일한 단면적의 추가 접지 도체(기계적으로 보호되는 최소 단면적 2.5mm²(14AWG) 또는 기계적으로 보호되지 않는 4mm²(12AWG))를 사용하십시오.
 외함 내부에 있거나 기타 형태로 전체 길이가 기계적인 손상으로부터 보호되는 접지 도체를 사용하십시오.
 산업용 커넥터를 통해 영구적으로 연결되거나 플러그로 꽂히는 PE 도체의 최소 단면적이 2.5mm²(14AWG)인 다중 도체 전원 케이블의 일부인 접지 도체를 사용하십시오. 다중 도체 전원 케이블은 적절한 스트레인 릴리프와 함께 설치해야 합니다.

⚠ 주의

써미스터 절연

신체 상해 또는 장비 파손의 위험이 있습니다.

- PELV 절연 요구사항을 충족하려면 보강 또는 이중 절연을 갖춘 써미스터만 사용합니다.

참고

과도한 열 및 재산 손실

과전류는 드라이브 내에 과도한 열을 발생시킬 수 있습니다. 과전류 보호 기능을 제공하지 않으면 화재 및 재산 손실 위험을 초래할 수 있습니다.

- 모터를 여러 개 사용하는 어플리케이션의 경우 드라이브와 모터 사이에 단락 회로 보호 또는 모터 써멀 보호와 같은 보호 장비가 추가로 필요합니다.
- 입력 퓨즈는 단락 회로 및 과전류 보호 기능을 제공하는 데 필요합니다. 퓨즈가 출고 시 설치되어 있지 않은 경우 반드시 설치업자가 퓨즈를 설치해야 합니다. 퓨즈 규격은 제품별 문서를 참조하십시오.

참고

재산 손실

모터 과부하 보호 기능은 기본적으로 활성화되어 있지 않습니다. ETR 기능을 설정하지 않으면 모터 과부하 보호 기능이 제공되지 않으며, 모터가 과열되는 경우 재산 손실이 발생할 수 있습니다.

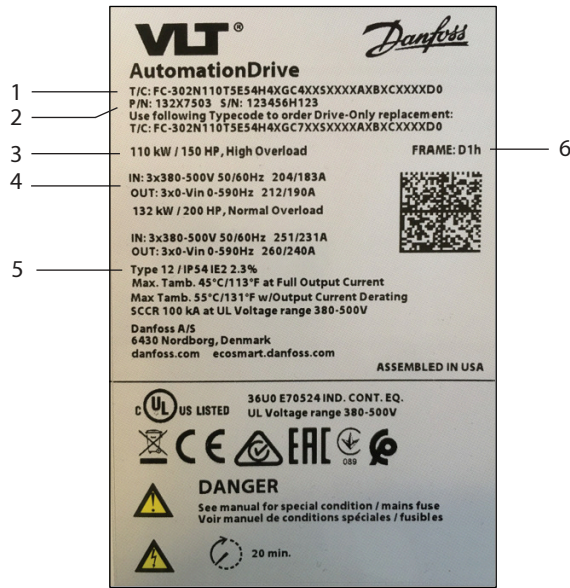
- 클래스 20 모터 과부하 보호 기능을 제공하려면 ETR 기능을 활성화합니다. 자세한 정보는 프로그래밍 지침서를 참조하십시오.

1.4 필요한 공구

- 리프팅 보조 장비
- 줄자
- 다양한 비트를 이용한 드릴
- 스크류드라이버(Torx, Phillips, 슬롯형)
- 7~17mm 소켓이 있는 렌치
- 확장형 소켓
- 판금 펀치 및/또는 펜치
- 와이어 크림퍼

1.5 배송물 및 그 내용물 확인

제공된 품목과 제품 라벨의 정보가 주문과 일치하는지 확인합니다. 제품 라벨은 드라이브 외부에 있습니다.



e30bb076.10

그림 1: 제품 라벨의 예

1	유형 코드	2	제품 번호 및 일련 번호
3	정격 용량	4	입력/출력 전압, 주파수 및 전류
5	외함 보호 등급	6	외함 사이즈

1.6 EMC 적합 설치

자세한 정보는 운전 또는 설계 지침서를 참조하십시오.

- 모터 출력(금속 도관의 비차폐 케이블 허용 가능), 제동 장치, DC 및 제어 배선에는 차폐 케이블을 사용합니다.
- 모터, 제동 장치 및 DC 케이블을 가능한 한 짧게 하여 전체 시스템의 간섭 수준을 낮추어야 합니다. 주전원 입력, 모터 케이블 및 제어 케이블 간에 200mm(7.9인치)의 최소 공간을 제공합니다.
- 금속 마운팅 플레이트와 적절한 EMC 본딩 클램프를 사용하여 전류를 드라이브로 다시 돌려보냅니다. 마운팅 플레이트에서 외함의 금속 프레임까지 높은 전기적 접촉을 얻기 위해 마운팅 나사로 고정시켜야 합니다.
- 차폐 연결 지점에 전압 전위차가 있는 경우, 낮은 임피던스 등화 와이어를 차폐 케이블과 병렬로 연결합니다.
- 릴레이, 제어 케이블, 신호 인터페이스, 필드버스 또는 제동 장치를 사용하는 경우, 차폐선의 양쪽 끝을 외함에 연결합니다. 접지 경로에 임피던스가 높거나, 소음이 심하거나, 전류가 흐르고 있을 때는 접지 전류 루프를 피하기 위해 한쪽 끝의 차폐선 연결을 차단합니다.

1.7 드라이브 설치

경고

감전 위험

덮개가 없는 모터, 주전원 또는 직류 연결 플러그 또는 단자를 만지면 사망 또는 중상으로 이어질 수 있습니다.

- 모터, 주전원 및 직류 연결부에 대한 모든 플러그 및 단자 보호 덮개는 IP20 보호 등급을 제공하기 위해 IP20 외함 내에 설치해야 합니다. 플러그와 단자 덮개가 설치되지 않은 경우, 보호 등급은 IP00으로 간주됩니다.

설치 위치는 중요합니다. 다음 설치 조건을 충족하면 최대 출력 전류를 사용할 수 있습니다. 이 범위를 벗어나는 온도 및 고도는 제품별 설계 지침서의 "Derating" 섹션을 참조하십시오.

- 최대 주위 온도: 24시간 이상인 경우 평균 온도 45°C(113°F), 1시간 동안인 경우 50°C(122°F).
- 최소 주위 온도: 0°C(32°F).
- 해발 고도 < 1000m(3280피트).

1. 외함 용량을 확인하십시오. 그림 1을 참조하십시오.
2. 유형 코드를 사용하여 추가 배선 및 설정이 필요한 옵션을 확인하십시오. 그림 섹션의 1단계를 참조하십시오.

뒷개의 QR 코드를 스캔하면 문서 검색 페이지가 열립니다. 옵션 번호를 사용하여 관련 문서를 검색하십시오. 예를 들어, MCA 120을 사용하여 VLT® PROFINET MCA 120 문서를 검색합니다.

3. 운전 환경 및 전기 설치가 다음 표준을 충족하는지 확인하십시오.

- a. 실내 공기 미조절/오염 정도 2단계.
- b. 과전압 3단계.

4. 배선도를 검토하십시오. 그림 섹션의 2단계를 참조하십시오.

모든 배선은 단면적 및 주변 온도 요건에 관한 지역 및 국가 규정을 준수해야 합니다. 연결부가 느슨해지면 장비에 결함이 발생하거나 성능이 저하될 수 있습니다. 그림 섹션의 9단계에 표시된 올바른 토크 값에 따라 단자를 조이십시오.

5. 퓨즈 사양을 검토하십시오. 그림 섹션의 3단계를 참조하십시오.

드라이브는 480/600V에서 최대 100kA의 단락 전류 정격(SCCR)을 제공할 수 있는 회로에서 적합하게 사용할 수 있습니다. 회로 차단기 및 스위치 SCCR 정격은 제품별 설계 지침서를 참조하십시오.

6. 전원 케이블 사양을 검토하십시오. 그림 섹션의 4단계를 참조하십시오.

최소 70°C(158°F) 정격의 구리 와이어를 사용하십시오. 알루미늄 와이어는 제품별 설계 지침서를 참조하십시오.

7. 그림 섹션의 번호가 매겨진 단계에 따라 드라이브를 설치하십시오. 특정 그림/단계는 특정 외함 용량과 관련이 있으며 그에 맞게 표시되어 있습니다.

- a. 액세서리 백 구성품을 드라이브에 부착하십시오(5단계).
- b. 콘크리트 또는 금속과 같이 단단하고 비가연성인 장착 표면에 드라이브를 장착하십시오(6단계). 드라이브 상단과 하단에 최소 여유 공간을 제공하여 냉각이 제대로 이루어지는지 확인하십시오.

D3h-D4h는 벽면 설치형이고, D1h-D2h 및 D5h-D6h는 벽면 또는 바닥 설치형이며, D7h-D8h는 바닥 설치형입니다.

- c. 케이블 삽입 플레이트에 케이블 개방부를 만드십시오(7단계).
 - d. 제어 배선을 설치하십시오(8단계).
 - e. 모터, 주전원 및 접지 배선을 설치하십시오(9단계).
 - f. 제어 케이블을 드라이브의 왼쪽으로 배선합니다.
8. 덮개를 드라이브에 단단히 고정하십시오.
 9. 최초 드라이브 및 모터 설정을 수행하십시오. 제품별 프로그래밍 지침서를 참조하십시오.

기능 안전 옵션에는 추가 배선 및 파라미터 구성이 필요합니다. 안전 옵션 설치에 관한 자세한 정보는 특정 기능 안전 운전 지침서(예: Safe Torque Off 운전 지침서)를 참조하십시오.

1.8 화재/비상 모드

화재/비상 모드에서 작동하는 경우 주파수 변환기가 스스로 희생하도록 프로그래밍하여 애플리케이션(예: 환기 또는 워터 펌프)이 가능한 한 오랫동안 계속 작동하도록 할 수 있습니다.

화재/비상 모드를 활성화하기 전에 모터 및 애플리케이션의 모든 관련 파라미터가 올바르게 구성되었는지 확인하십시오. Danfoss는 애플리케이션을 최소 속도에서 최대 속도로 실행한 다음 애플리케이션을 완전히 정지하여 현장 제어 패널에서 경고나 알람을 트리거하지 않고 올바르게 작동하는지 확인할 것을 권장합니다. 화재/긴급 모드를 활성화하기 전에 이 단계를 완료하지 않으면 보증이 손실될 수 있습니다. 화재/비상 모드 구성에 대한 자세한 지침은 VLT 프로그래밍 지침서의 **파라미터 그룹 24-** 애플리케이션 기능 2**를 참조하거나 현지 Danfoss 사무소에 문의하십시오.

1.9 전력 손실 및 효율

부분 부하 손실을 비롯한 전력 손실 데이터는 <https://ecosmart.mydrive.danfoss.com>을 참조하십시오.

1 Монтаж

1.1 Кваліфікований персонал

Монтаж, введення в експлуатацію й технічне обслуговування приводів Danfoss дозволяється виконувати лише кваліфікованому персоналу. Кваліфікованим персоналом і підготовленими фахівцями вважається кваліфікований персонал, який пройшов навчання, добре знайомий з процедурами й уповноважений монтувати та водити в експлуатацію привод відповідно до чинних законів і нормативних актів. Крім того, персонал має бути ознайомлений з інструкціями та правилами з безпеки, описаними в цьому посібнику з монтажу.

1.2 Символи безпеки

У цьому документі використовуються наведені нижче символи.

НЕБЕЗПЕКА

Позначає небезпечну ситуацію, яка, якщо не уникати її, призведе до летальних наслідків або серйозних травм.

ПОПЕРЕДЖЕННЯ

Позначає небезпечну ситуацію, яка, якщо не уникати її, може призвести до летальних наслідків або серйозних травм.

УВАГА!

Позначає небезпечну ситуацію, яка, якщо не уникати її, може призвести до легких травм або травм середньої тяжкості.

ПРИМІТКА

Указує на інформацію, яка вважається важливою, але не пов'язана з небезпекою (наприклад, повідомлення щодо пошкодження майна).

1.3 Заходи з безпеки

ПОПЕРЕДЖЕННЯ



НЕОБІЗНАНІСТЬ ЩОДО ЗАХОДІВ БЕЗПЕКИ

Перед початком монтажу ознайомтеся з усіма правилами техніки безпеки й заходами безпеки, наведеними в цьому посібнику з монтажу. Додаткова документація, наприклад посібник з експлуатації, посібник з проектування та посібник з програмування, а також посібники з функціональної безпеки можна отримати за допомогою сканування QR-коду на передній кришці. Програмні засоби для ПК та MyDrive® ecoSmart™ можна завантажити за адресою www.danfoss.com.

Цей посібник містить важливу інформацію щодо запобігання травмам і пошкодженню обладнання або системи. Ігнорування цієї інформації може призвести до летальних наслідків, важкої травми чи серйозного пошкодження обладнання.

- Ви повинні повністю розуміти небезпеки, пов'язані із застосуванням, і заходи безпеки, яких необхідно вжити.
- Перед виконанням електромонтажних робіт на приводі заблокуйте його та відзначте усі джерела живлення на приводі.

 ПОПЕРЕДЖЕННЯ**ПІДНІМАННЯ ВАЖКОГО ВАНТАЖУ**

Привод важкий. Неправильне піднімання важких предметів може призвести до летальних наслідків, травм або пошкодження майна.

- Дотримуйтеся місцевих правил безпеки під час піднімання.
- Перевірте вагу привода. Вага вказана на зовнішньому боці транспортної коробки.
- Якщо використовується підймальне обладнання, переконайтеся, що воно в належному робочому стані та може безпечно піднімати вагу привода.
- Припідніміть пристрій, щоб упевнитися в належному центрі ваги. У разі перекосу змініть положення точки підйому.

 ПОПЕРЕДЖЕННЯ**НЕБЕЗПЕЧНА НАПРУГА**

Приводи містять небезпечну напругу, коли підключені до електромережі змінного або постійного струму. Недотримання наведених нижче вимог може призвести до летальних наслідків або серйозних травм.

- Виконувати монтаж, пуск і обслуговування обладнання має лише кваліфікований персонал.

 ПОПЕРЕДЖЕННЯ**ЧАС РОЗРЯДЖАННЯ**

У приводі встановлені конденсатори постійного струму, які залишаються зарядженими навіть після відключення від мережі живлення. Висока напруга може бути присутня навіть після згасання попереджувальних індикаторів. Недотримання визначеного періоду очікування після вимкнення живлення перед початком обслуговування може призвести до летальних наслідків або серйозних травм.

- Зупиніть двигун.
- Від'єднайте всі джерела живлення, у тому числі двигуни з постійними магнітами.
- Дочекайтеся повного розрядження конденсаторів. Час розрядження зазначено в паспортній таблиці привода.
- Виміряйте рівень напруги, щоби переконатись у повному розряджанні.

 **ПОПЕРЕДЖЕННЯ****НЕПЕРЕДБАЧЕНИЙ ПУСК**

Якщо привод під'єднано до мережі живлення змінного струму або джерела живлення постійного струму, двигун може ввімкнутись у будь-який момент, що може призвести до летальних наслідків, серйозної травми, а також пошкодження обладнання або іншого майна.

- Перед налаштуванням параметрів зупиніть привод і двигун.
- Переконайтеся, що привод не може бути запущено зовнішнім перемикачем, командою через шину послідовного зв'язку, вхідним сигналом завдання від панелі або після усунення несправності.
- Від'єднуйте привод від джерела живлення щоразу, коли цього потребують вимоги забезпечення безпеки, аби уникнути непередбаченого пуску двигуна.
- Переконайтеся, що привод, двигун і будь-яке додаткове обладнання перебувають у стані робочої готовності.

 **УВАГА!****НЕБЕЗПЕКА ВНУТРІШНЬОЇ ЗБОЇ**

Внутрішня несправність дисководу може призвести до серйозних травм, якщо дисковод закритий неправильно.

- Перед подачею живлення переконайтеся, що всі захисні кришки на місці та надійно закріплені.

 **ПОПЕРЕДЖЕННЯ****НЕБЕЗПЕКА УРАЖЕННЯ ЕЛЕКТРИЧНИМ СТРУМОМ І ВИНИКНЕННЯ ПОЖЕЖІ**

Привод може спричиняти появу постійного струму в провіднику захисного заземлення. Недотримання вимог щодо використання захисного пристрою диференційного захисту (RCD) Типу В може призвести до того, що RCD не забезпечуватиме очікуваного захисту, що може завершитися летальними наслідками, пожежею або іншою серйозною небезпекою.

- Використовуйте пристрій RCD.
- Якщо RCD використовується для захисту від ураження електричним струмом або пожежі, це має бути тільки пристрій Типу В на боці живлення.

 **ПОПЕРЕДЖЕННЯ****ІНДУКОВАНА НАПРУГА**

Індукована напруга від вихідних кабелів двигунів, прокладених поруч, може зарядити конденсатори обладнання, навіть якщо обладнання буде вимкнено та ізольовано/позначено. Недотримання вимог щодо роздільного прокладання кабелів двигуна може призвести до летальних наслідків або серйозної травми.

- Прокладайте вихідні кабелі від двигуна роздільно або використовуйте екрановані кабелі.
- Одночасно блокуйте/позначайте всі приводи.

⚠ ПОПЕРЕДЖЕННЯ**НЕБЕЗПЕКА УРАЖЕННЯ ЕЛЕКТРИЧНИМ СТРУМОМ**

Через конструктивну ємність екранованого кабелю двигуна струми витoku перевищують 3,5 мА.

Неналежне виконане заземлення привода може призвести до летальних наслідків або серйозних травм.

- Переконайтеся, що мінімальний розмір провідника заземлення відповідає місцевим правилам безпеки для обладнання з високим струмом витoku на доступну частину.
- Використовуйте армований провід заземлення відповідно до стандарту IEC 60364-5-54, пункт 543.7 або місцевих правил техніки безпеки для обладнання зі струмом витoku > 3,5 мА.
- Для армованого заземлення:

Використовуйте дрiт заземлення з поперечним перерізом не менше ніж 10 мм² (8 AWG) із міді або 16 мм² (6 AWG) з алюмінію, або заземлювальний провідник із такою самою площею поперечного перерізу, що й оригінальний дрiт заземлення, що відповідає стандарту IEC 60364-5-54, з мінімальною площею поперечного перерізу 2,5 мм² (14 AWG) із механічним захистом або 4 мм² (12 AWG) без механічного захисту. Використовуйте дрiт заземлення всередині корпусу або захищений від механічних пошкоджень іншим чином по всій його довжині.

Використовуйте дрiт заземлення, який є частиною багатожильного силового кабелю з мінімальним поперечним перерізом PE 2,5 мм² (14 AWG), підключений фіксованим способом або який підключається за допомогою промислового роз'єма. Багатожильний силовий кабель має бути встановлений із відповідним кабельним затискачем.

⚠ УВАГА!**ІЗОЛЯЦІЯ ТЕРМІСТОРА**

Існує ризик травм або пошкодження обладнання.

- Із метою дотримання вимог щодо ізоляції PELV використовуйте лише термістори з підсиленою чи подвійною ізоляцією.

ПРИМІТКА**ПЕРЕГРІВАННЯ Й ПОШКОДЖЕННЯ МАЙНА**

Надмірний струм може спричинити перегрівання всередині привода. Якщо не забезпечити захист від надлишкового струму, існує ризик виникнення пожежі та пошкодження майна.

- У застосуваннях із кількома двигунами між приводом і двигунами потрібно використовувати додаткове захисне обладнання, як-от пристрій захисту від короткого замикання або тепловий захист двигуна.
- Для захисту від короткого замикання та надлишкового струму потрібно встановити вхідні запобіжники. Якщо запобіжники не постачає виробник, їх має встановити спеціаліст під час монтажу. Технічні характеристики запобіжників див. у документації до конкретного виробу.

ПРИМІТКА**ПОШКОДЖЕННЯ МАЙНА**

Захист від перевантаження двигуна за замовчуванням не активний. За відсутності налаштування функції ETP не буде забезпечено захист від перевантаження двигуна, і перегрівання двигуна може призвести до пошкодження майна.

- Щоб забезпечити захист двигуна від перевантаження класу 20, увімкніть функцію ETR. Докладнішу інформацію див. у посібнику з програмування.

1.4 Необхідні інструменти

- Підіймальний пристрій
- Вимірювальна рулетка
- Дриль із долотами різного калібру
- Викрутки (Torx, Phillips, шліцьові)
- Гайковий ключ із головками на 7–17 мм
- Роз'єм розширення
- Металевий пробійник та/або плоскогубці
- Обтискач дроту

1.5 Перевірка відправлення та його вмісту

Переконайтеся, що обладнання з комплекту постачання й відомості на етикетці виробу відповідають замовленню. Етикетка виробу розташована на зовнішньому боці привода.



Рисунок 1: Приклад етикетки виробу

1	Типовий код	2	Номер за каталогом і серійний номер
3	Номінальна потужність	4	Вхідна/вихідна напруга, частота й струм
5	Клас захисту корпусу	6	Тип корпусу

1.6 Монтаж з урахуванням вимог EMC

Для отримання додаткової інформації зверніться до посібника з експлуатації або проектування.

- Використовуйте екрановані кабелі для вихідної потужності двигуна (допускаються неекрановані кабелі в металевому кабелепроводі), гальм, постійного струму та кола управління.
- Кабелі двигуна, гальм і постійного струму мають бути якомога коротшими, щоб знизити рівень завад від усієї системи. Забезпечте відстань щонайменше 200 мм (7,9 дюймів) між кабелями вхідного живлення, двигуна й ланцюга живлення.

- Пропустіть струм назад до привода за допомогою металевої монтажної пластини та відповідних затискачів для з'єднання з дотриманням вимог щодо EMC. Забезпечте належний електричний контакт від монтажної пластини, надійно вкрутивши монтажні гвинти до металевої рами привода.
- Якщо точки підключення щитка мають різницю потенціалів напруги, підключіть вирівнювальний дріт із низьким імпедансом паралельно екранованому кабелю.
- У разі використання реле, кабелів керування, сигнального інтерфейсу, шини послідовного зв'язку або гальм під'єднайте екран до корпусу з обох боків. Якщо контур заземлення містить сильний опір, зашумлений або пропускає струм, розімкніть з'єднання екрана на одному кінці, щоб уникнути наявності струму в контурі заземлення.

1.7 Монтаж привода

ПОПЕРЕДЖЕННЯ



НЕБЕЗПЕКА УРАЖЕННЯ СТРУМОМ

Дотик до відкритого двигуна, мережі живлення, роз'єму постійного струму або клеми може призвести до летальних наслідків або серйозних травм.

- Усі штекери й захисні кришки клем для підключення двигуна, мережі живлення та постійного струму мають бути встановлені всередині корпусу IP20, щоб забезпечити ступінь захисту IP20. Якщо штекер і клемні кришки не встановлені, клас захисту вважається IP00.

Місце монтажу має важливе значення. Повний вихідний струм доступний за дотримання наведених нижче умов монтажу. Температура й висота над рівнем моря виходять за межі цього діапазону, див. розділи «Зниження номінальних характеристик» у посібнику з проектування конкретного виробу.

- Макс. температура середовища: 45 °C (113 °F) у середньому протягом 24 годин і 50 °C (122 °F) протягом 1 години.
 - Мін. температура середовища: 0 °C (32 °F)
 - Висота над рівнем моря < 1000 м (3280 футів).
1. Визначте розмір корпусу. Див. ілюстрацію 1.
 2. Визначте будь-які параметри, які потребують додаткової проводки й налаштування, використовуючи типовий код. Див. крок 1 у розділі «Ілюстрації».

Сканування QR-коду на обкладинці відкриває сторінку пошуку документації. Використовуйте номер опції для пошуку відповідної документації. Наприклад, використовуйте номер MCA 120 для пошуку документації для VLT® PROFINET MCA 120.

3. Переконайтеся, що робоче середовище й електромонтаж відповідають таким стандартам.
 - a. Ступінь забруднення повітря в приміщенні 2
 - b. Категорія перенапруги 3.
4. Перегляньте схему підключення. Див. крок 2 у розділі «Ілюстрації».

Уся проводка має відповідати національним і місцевим нормам і правилам щодо перерізу проводів і температури довкілля. Слабкий контакт може призвести до збоїв у роботі обладнання або зниження робочих характеристик. Затягніть клеми відповідно до належного значення крутного моменту, наведеного в кроці 9 у розділі «Ілюстрації».

5. Перевірте характеристики запобіжників. Див. крок 3 у розділі «Ілюстрації».

Привод може бути придатним для використання в схемі, здатній забезпечувати номінальний струм короткого замикання до 100 кА (SCCR) за напруги 480/600 В. Для автоматичного вимикача й перемикача номінальних значень SCCR див. посібник із проектування конкретного виробу.

6. Ознайомтеся з технічними характеристиками кабелю живлення. Див. крок 4 у розділі «Ілюстрації».

Використовуйте мідний дріт із номіналом щонайменше 70 °C (158 °F). Інформацію щодо алюмінієвого дроту див. у посібнику з проектування конкретного виробу.

7. Установіть привод відповідно до пронумерованих кроків у розділі «Ілюстрації». Певні ілюстрації/кроки стосуються конкретних розмірів корпусів і позначені відповідним чином.

- a. Прикріпіть компоненти сумки з аксесуарами до привода (крок 5).
- b. Установіть привод на твердій, незаймистій монтажній поверхні, наприклад бетоні або металі (крок 6). Забезпечте належне охолодження, забезпечивши мінімальну відстань над приводом і під ним.

D3h–D4h монтується на стіні, D1h–D2h і D5h–D6h монтується на стіні або на підлозі, а D7h–D8h монтується на підлозі

- c. Зробіть кабельні отвори в пластині для кабельних входів (крок 7).
 - d. Установіть коло управління (крок 8).
 - e. Установіть проводку двигуна, електромережі й заземлення (крок 9).
 - f. Прокладіть кабелі управління до лівого боку привода.
8. Надійно зафіксуйте кришку на приводі.
9. Виконайте початкове налаштування привода й двигуна. Зверніться до посібника з програмування для конкретного продукту.

Функціональні опції безпеки потребують додаткової проводки та конфігурації параметрів. Докладнішу інформацію щодо встановлення опції безпеки наведено в посібнику з експлуатації з експлуатації, наприклад посібнику з експлуатації функції Safe Torque Off.

1.8 Пожежний/аварійний режим

Під час роботи в пожежному/аварійному режимі перетворювач частоти можна запрограмувати на втрату робочих характеристик, щоб застосування (наприклад, вентиляція або водяні насоси) продовжували працювати якомога довше.

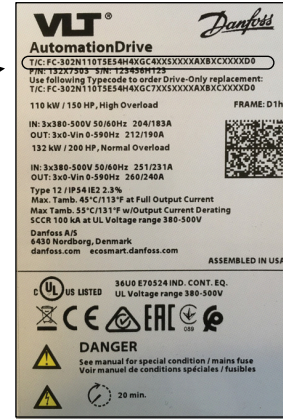
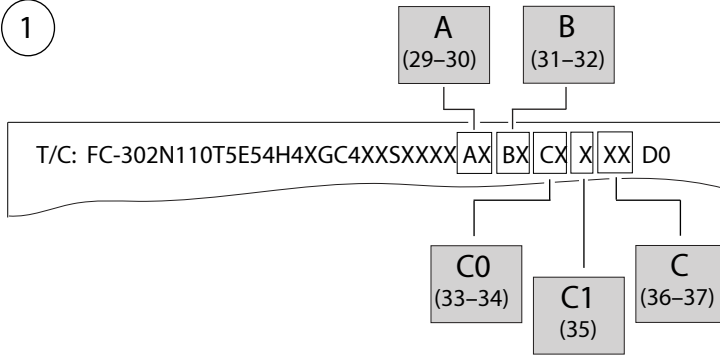
Перед активацією пожежного/аварійного режиму переконайтеся, що всі відповідні параметри двигуна та застосування налаштовані правильно. Danfoss рекомендує запустити застосування з мінімальної до максимальної швидкості, а потім повністю зупинити застосування, щоб переконатися, що воно працює належним чином, не викликаючи жодних попереджень або аварійних сигналів на панелі місцевого керування. Невиконання цього кроку перед активацією пожежного/аварійного режиму може призвести до втрати гарантії. Для отримання додаткових інструкцій щодо налаштування пожежного/аварійного режиму див. *групу параметрів 24-** Функції програмування 2* у посібнику з програмування VLT або зверніться до місцевого представництва Danfoss.

1.9 Втрати потужності та ефективність

Дані щодо втрати потужності, зокрема втрати часткового навантаження, див. <https://ecosmart.mydrive.danfoss.com>.

Illustrations / Abbildungen / Illustrations / Illustrazioni / Afbeeldingen / 示意图 / Ilustraciones / Иллюстрации / Çizimler / Ilustrações / 그림 / Ілюстрації

1



e30bb090.10

A (29–30)	
AX	–
A0	VLT® PROFIBUS DP V1 MCA 101
A4	VLT® DeviceNet MCA 104
A6	VLT® CANopen MCA 105
A8	VLT® EtherCAT/IP MCA 124
AG	VLT® LonWorks MCA 108
AJ	VLT® BACnet MCA 109
AK	VLT® BACnet/IP MCA 125
AL	VLT® PROFINET MCA 120
AN	VLT® EtherNet/IP MCA 121
AQ	VLT® POWERLINK MCA 122
AT	VLT® PROFIBUS Converter MCA 113
AU	VLT® PROFIBUS Converter MCA 114
AY	VLT® Powerlink MCA 123

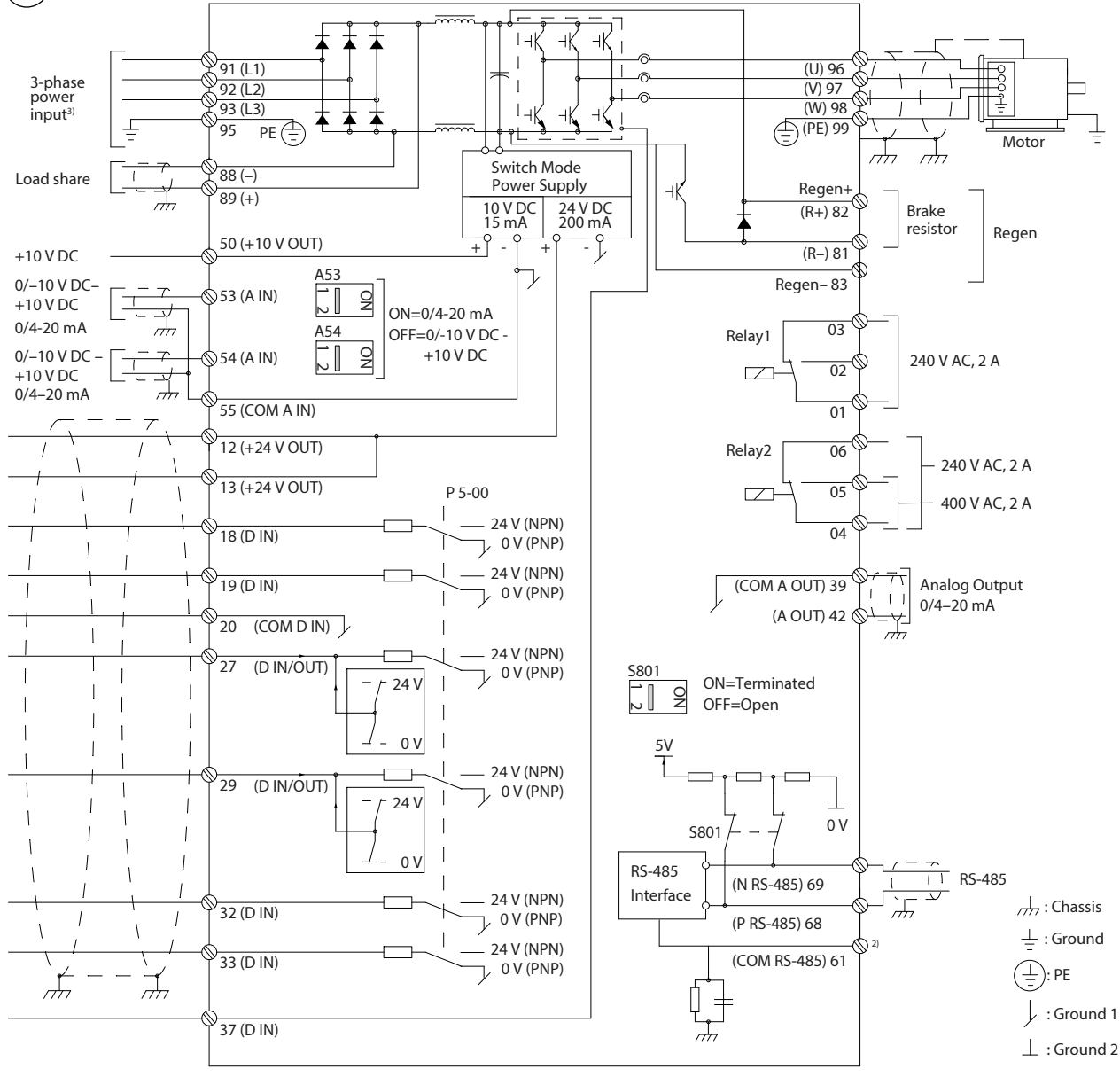
C1 (35)	
X	–
R	VLT® Extended Relay Card MCB 113
7	VLT® Sensorless Safety MCB 159

C0 (33–34) + C (36–37)	
CX_XX	–
C4_XX	VLT® Motion Control Option MCO 305
C4_10	VLT® Synchronizing Controller MCO 350
C4_11	VLT® Position Controller MCO 351

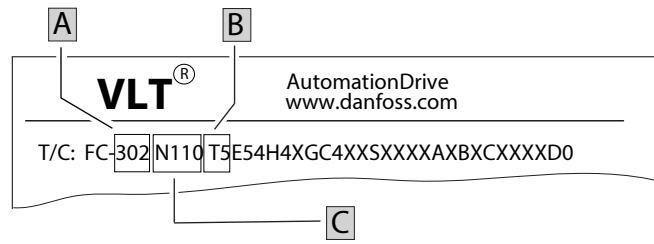
B (31–32)	
BX	–
B0	VLT® Analog I/O Option MCB 109
B2	VLT® PTC Thermistor Card MCB 112
B4	VLT® Sensor Input MCB 114
B6	VLT® Safety Option MCB 150
B7	VLT® Safety Option MCB 151
B8	VLT® Safety Option MCB 152
BK	VLT® General Purpose I/O MCB 101
BP	VLT® Relay Card MCB 105
BR	VLT® Encoder Input MCB 102
BU	VLT® Resolver Input MCB 103
BY	VLT® Extended Cascade Controller MCO 101
BZ	VLT® Safe PLC I/O MCB 108

2

e30bl578.10



3

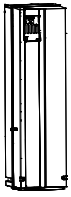
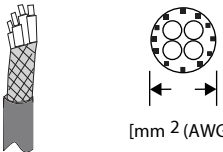


e30bb089.10

A	B	C		
			IEC	UL
			Bussmann P/N	Bussmann P/N
102/103/202	T2	N55K	170M2620	170M2620
102/103/202	T2	N75K	170M2621	170M2621
102/103/202	T2	N90K	170M4015	170M4015
102/103/202	T2	N110	170M4015	170M4015
102/103/202	T2	N150	170M4016	170M4016
102/103/202	T2	N160	170M4018	170M4018
<hr/>				
102/103/202	T4	N110	170M2619	170M2619
102/103/202	T4	N132	170M2620	170M2620
102/103/202	T4	N160	170M2621	170M2621
102/103/202	T4	N200	170M4015	170M4015
102/103/202	T4	N250	170M4016	170M4016
102/103/202	T4	N315	170M4018	170M4018
<hr/>				
102/103/202	T7	N75K	170M2616	170M2616
102/103/202	T7	N90K	170M2619	170M2619
102/103/202	T7	N110	170M2619	170M2619
102/103/202	T7	N132	170M2619	170M2619
102/103/202	T7	N160	170M2619	170M2619
102/103/202	T7	N200	170M4015	170M4015
102/103/202	T7	N250	170M4015	170M4015
102/103/202	T7	N315	170M4015	170M4015
102/103/202	T7	N400	170M4015	170M4015

A	B	C		
			IEC	UL
			Bussmann P/N	Bussmann P/N
302	T2	N45K	170M2620	170M2620
302	T2	N55K	170M2621	170M2621
302	T2	N75K	170M4015	170M4015
302	T2	N90K	170M4015	170M4015
302	T2	N110	170M4016	170M4016
302	T2	N150	170M4018	170M4018
<hr/>				
302	T5	N90K	170M2619	170M2619
302	T5	N110	170M2620	170M2620
302	T5	N132	170M2621	170M2621
302	T5	N160	170M4015	170M4015
302	T5	N200	170M4016	170M4016
302	T5	N250	170M4018	170M4018
<hr/>				
302	T7	N55K	170M2616	170M2616
302	T7	N75K	170M2619	170M2619
302	T7	N90K	170M2619	170M2619
302	T7	N110	170M2619	170M2619
302	T7	N132	170M2619	170M2619
302	T7	N160	170M4015	170M4015
302	T7	N200	170M4015	170M4015
302	T7	N250	170M4015	170M4015
302	T7	N315	170M4015	170M4015

4

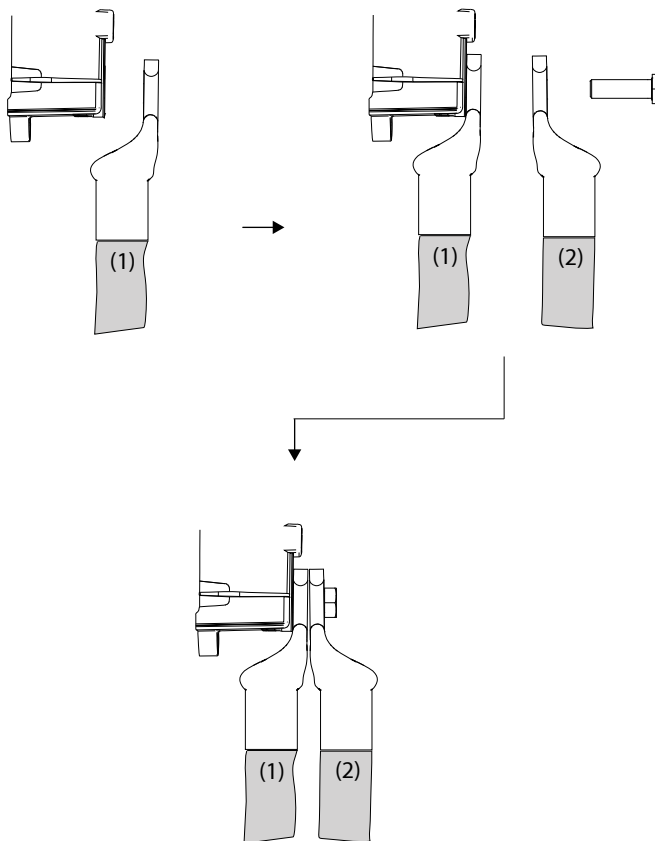
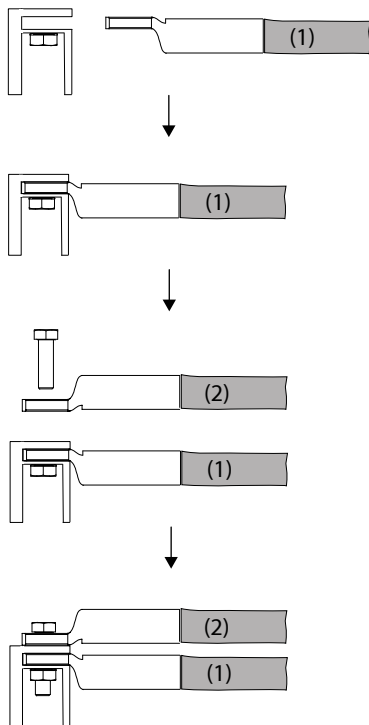
	 [mm ² (AWG)]			
	L1/L2/L3	U/V/W	-DC/+DC	R+/R-
D1h	2 x 95 (2 x 3/0)	2 x 95 (2 x 3/0)	2 x 95 (2 x 3/0)	2 x 95 (2 x 3/0)
D2h	2 x 185 (2 x 350 mcm)	2 x 185 (2 x 350 mcm)	2 x 185 (2 x 350 mcm)	2 x 185 (2 x 350 mcm)
D3h	2 x 95 (2 x 3/0)	2 x 95 (2 x 3/0)	2 x 95 (2 x 3/0)	2 x 95 (2 x 3/0)
D4h	2 x 185 (2 x 350 mcm)	2 x 185 (2 x 350 mcm)	2 x 185 (2 x 350 mcm)	2 x 185 (2 x 350 mcm)
D5h	2 x 95 (2 x 3/0)	2 x 95 (2 x 3/0)	2 x 95 (2 x 3/0)	2 x 95 (2 x 3/0)
D6h	2 x 95 (2 x 3/0)	2 x 95 (2 x 3/0)	2 x 95 (2 x 3/0)	2 x 95 (2 x 3/0)
D7h	2 x 185 (2 x 350 mcm)	2 x 185 (2 x 350 mcm)	2 x 185 (2 x 350 mcm)	2 x 185 (2 x 350 mcm)
D8h	2 x 185 (2 x 350 mcm)	2 x 185 (2 x 350 mcm)	2 x 185 (2 x 350 mcm)	2 x 185 (2 x 350 mcm)

e30bb091.10

D1h/D3h/D5h/D6h
(L1, L2, L3 / U, V, W)

D2h/D4h/D7h/D8h
(L1, L2, L3)

D2h/D4h/D7h/D8h
(U, V, W)



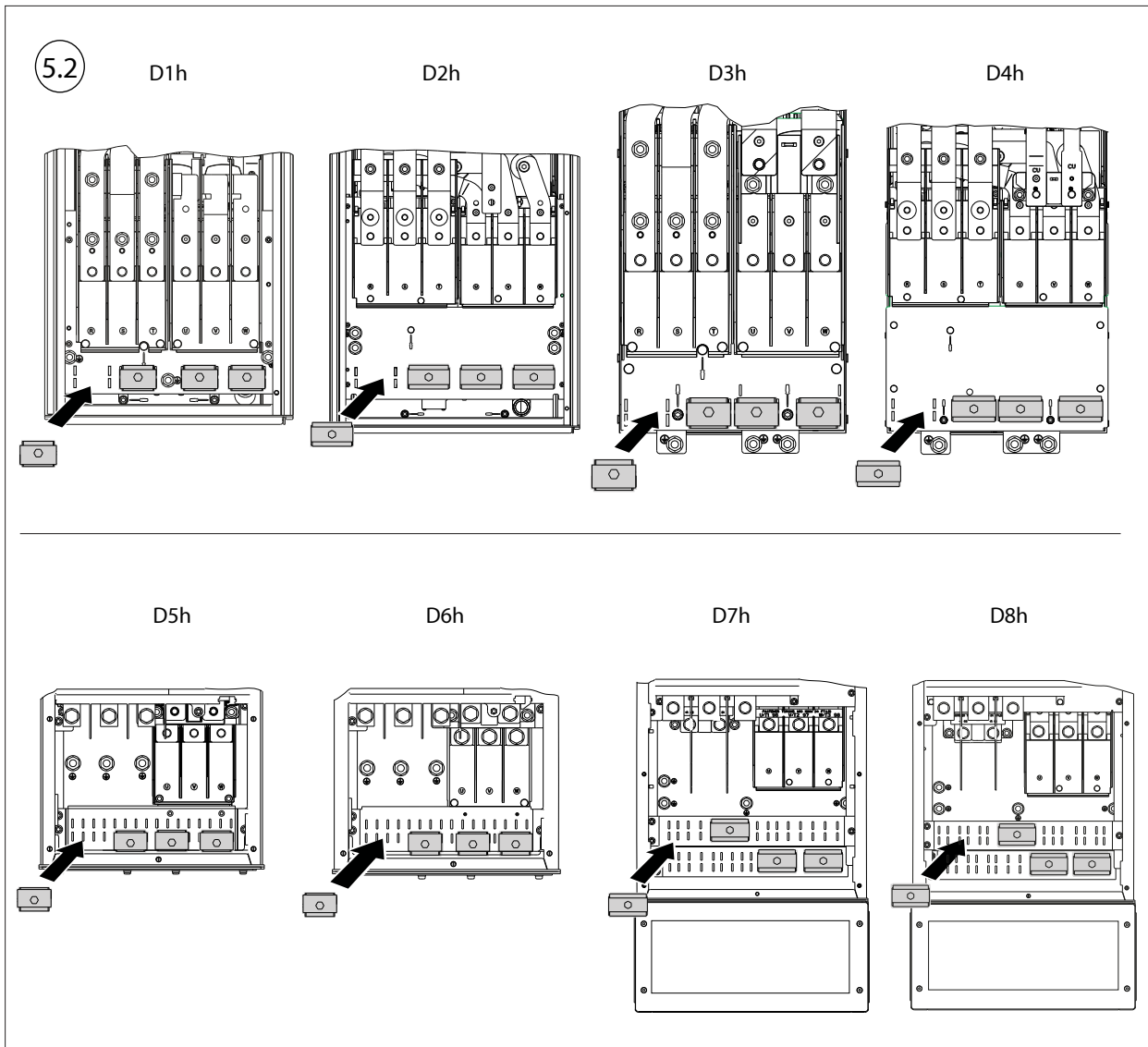
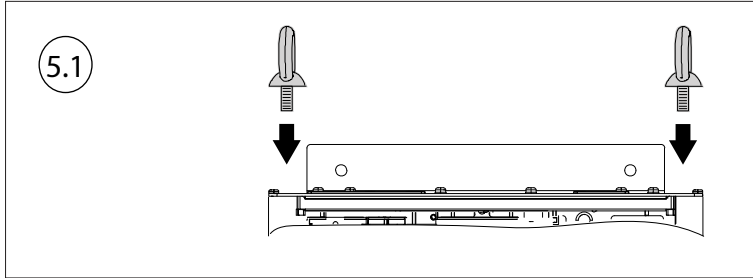
e30bb064.10

 **D1h–D8h**

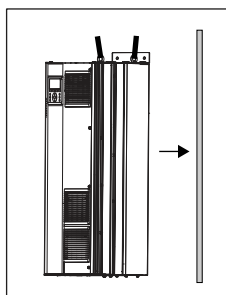


5 D1h–D8h


e30bu796.10



6 D1h–D6h



e30bb057.10

	A	A1	A2	B	B1	B2	C	C1	D	
D1h	844 (33.2)	25 (1.0)	20 (0.8)	180 (7.1)	33 (1.3)	–	200 (7.9)	63 (2.5)	225 (8.9)	4 x M10
D2h	1051 (41.4)	25 (1.0)	20 (0.8)	280 (7.1)	33 (1.3)	–	271 (10.7)	75 (2.9)	225 (8.9)	4 x M10
D3h	844 (33.2)	25 (1.0)	20 (0.8)	180 (7.1)	33 (1.3)	–	200 (7.9)	25 (1.0)	225 (8.9)	4 x M10
D4h	1051 (41.4)	25 (1.0)	20 (0.8)	280 (11.0)	33 (1.3)	–	271 (10.7)	40 (1.6)	225 (8.9)	4 x M10
D5h	1276 (50.2)	25 (1.0)	20 (0.8)	180 (7.1)	33 (1.3)	33 (1.3)	200 (7.9)	64 (2.5)	225 (8.9)	4 x M10
D6h	1615 (63.6)	25 (1.0)	20 (0.8)	280 (11.0)	33 (1.3)	33 (1.3)	271 (10.7)	40 (1.6)	225 (8.9)	4 x M10

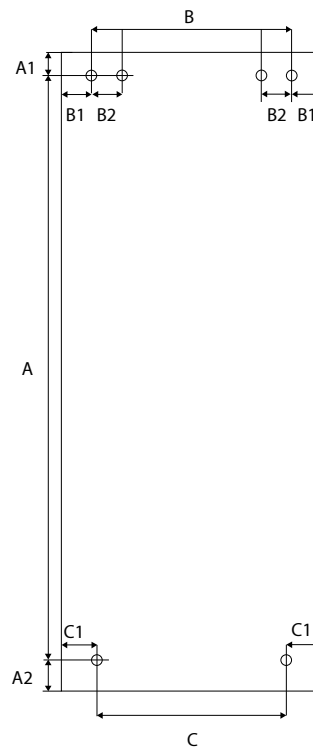
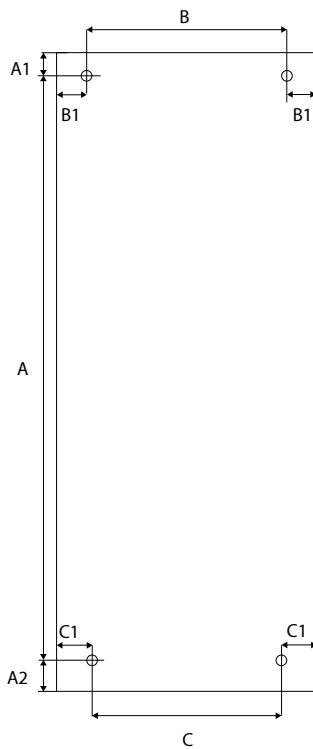
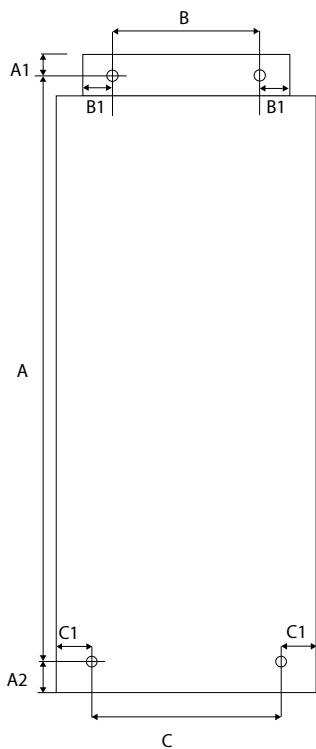
[mm (in)]

6.1

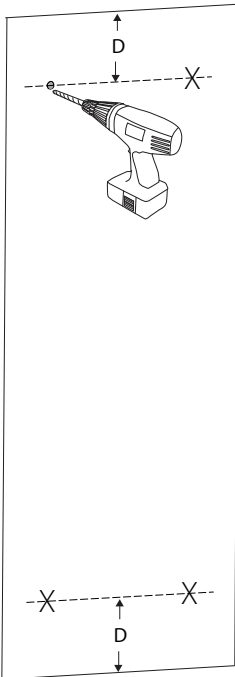
D1h/D2h

D3h/D4h

D5h/D6h



6.2

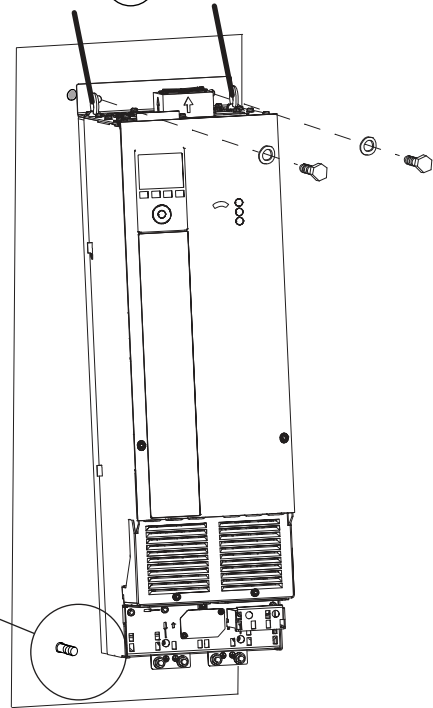


6.3



6.5

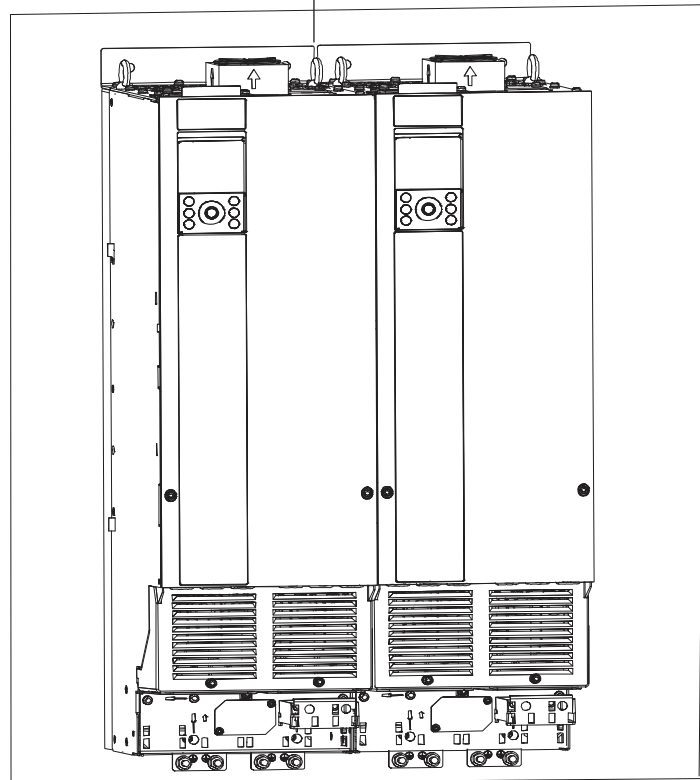
6.4



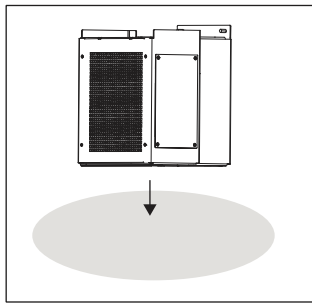
e30bb058.10

0 mm (0.0 in)

6.6



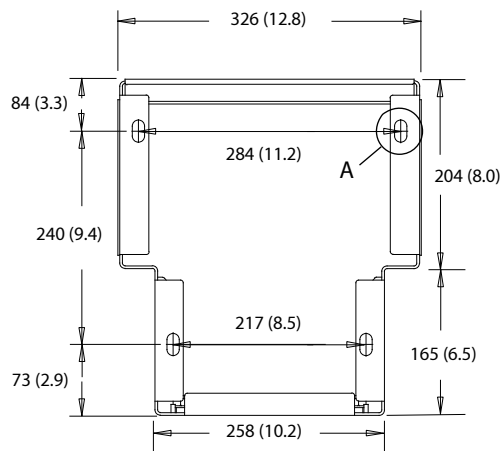
6 D1h–D2h



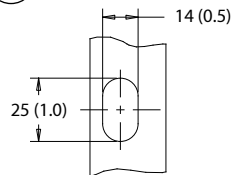
e30bb095.10

6.1

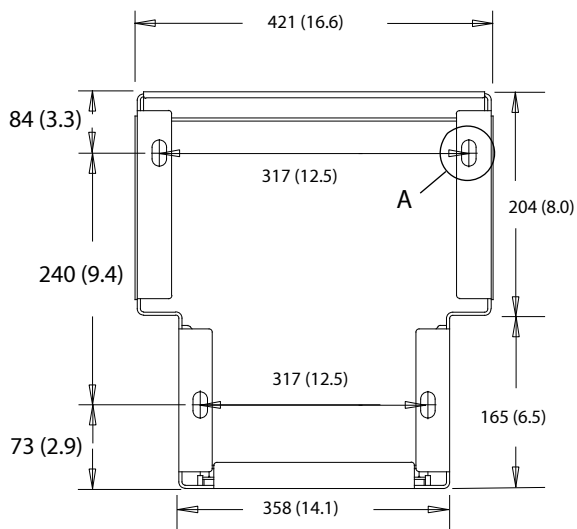
D1h



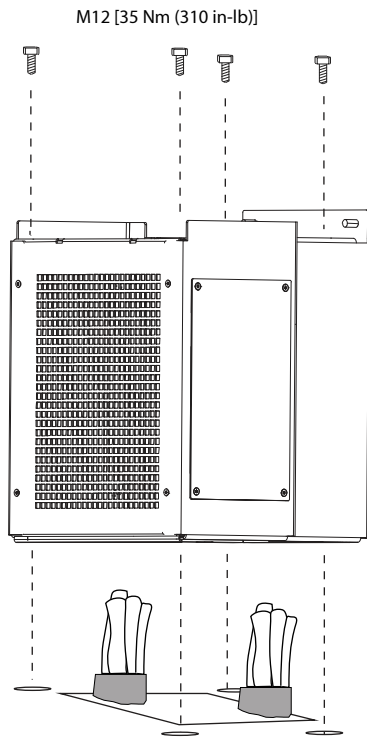
A



D2h

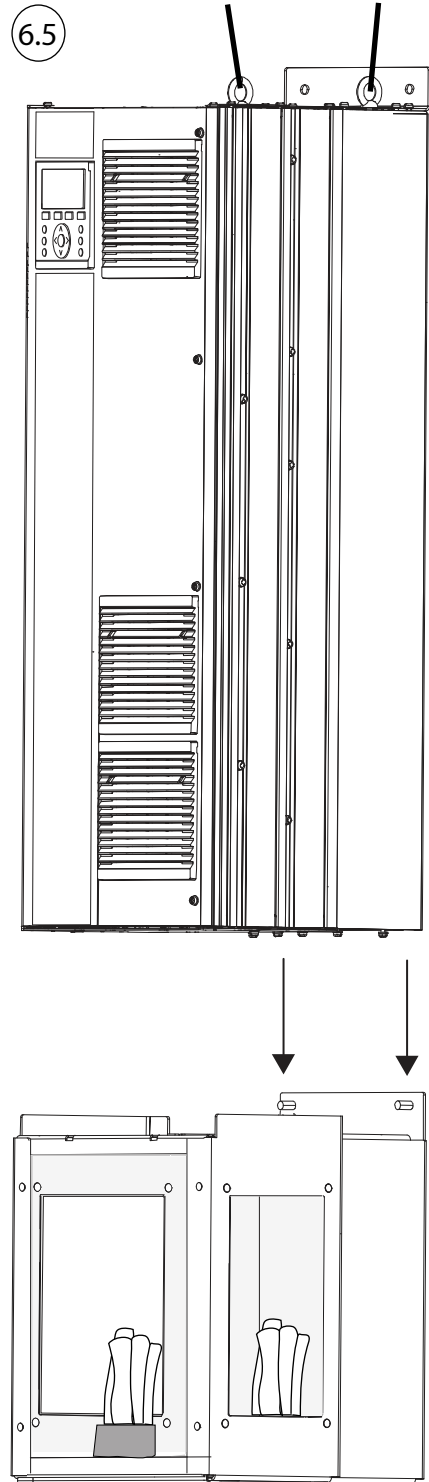


6.2

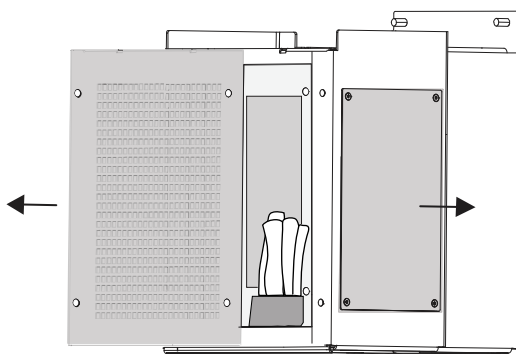


e30bb060.10

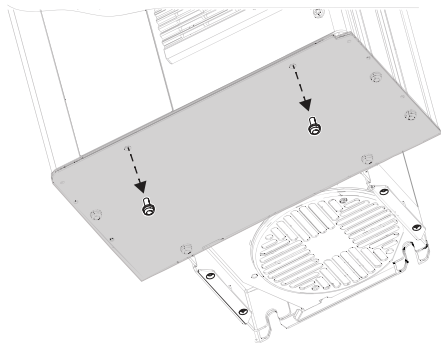
6.5



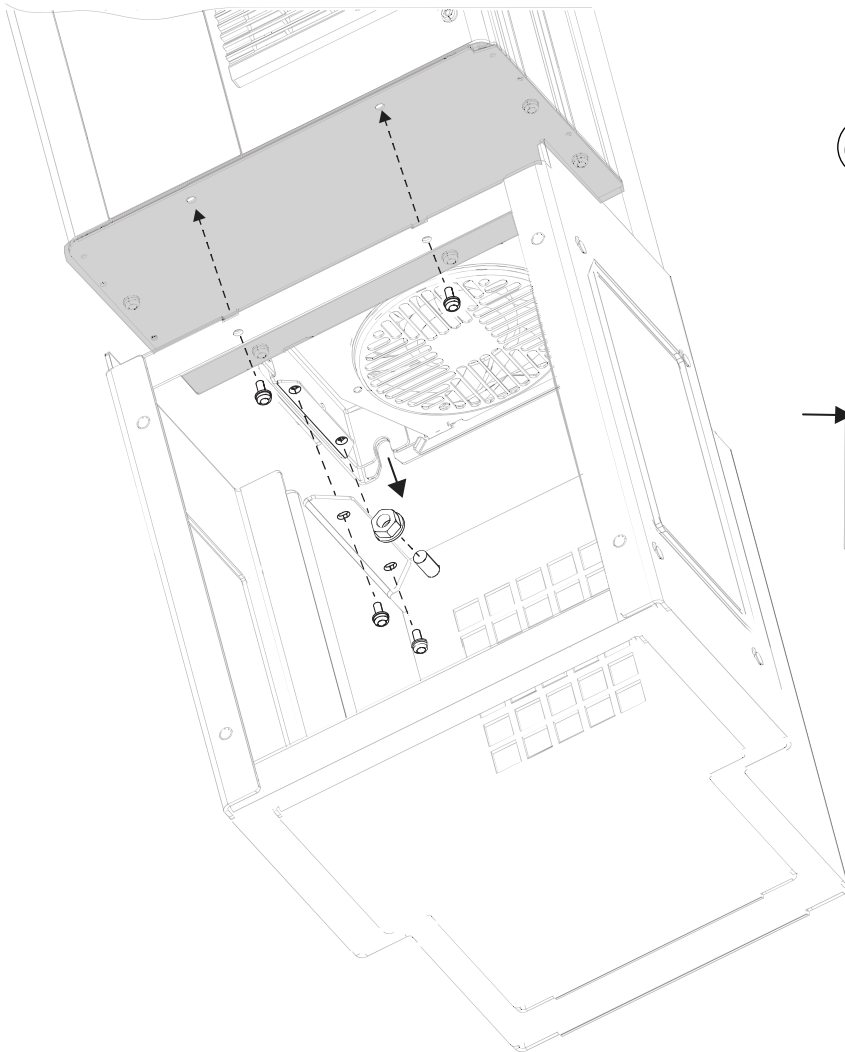
6.3



6.4

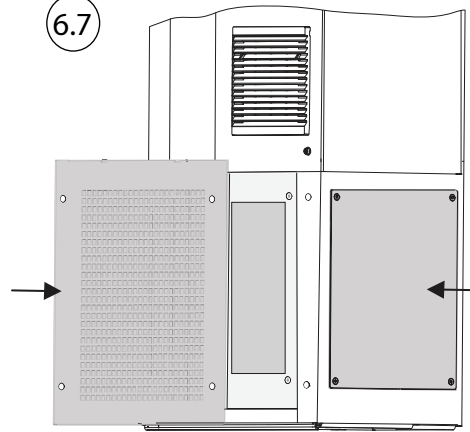


6.6



e30bb097.10

6.7



T25

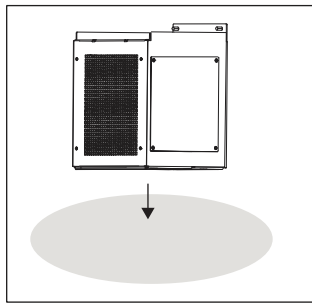


– [2.3 Nm (20 in-lb)]



– [19 Nm (168 in-lb)]

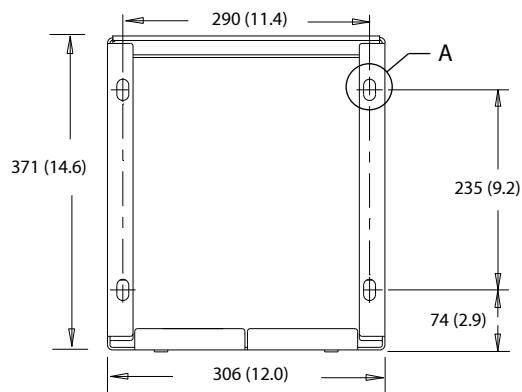
6 D5h–D8h



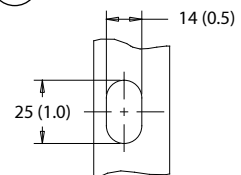
e30bb059.10

6.1

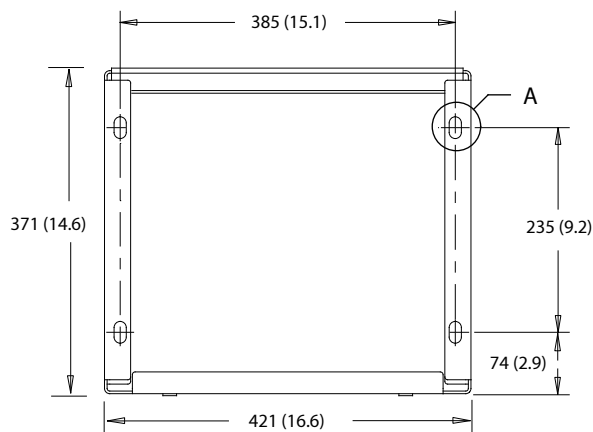
D5h–D6h



A

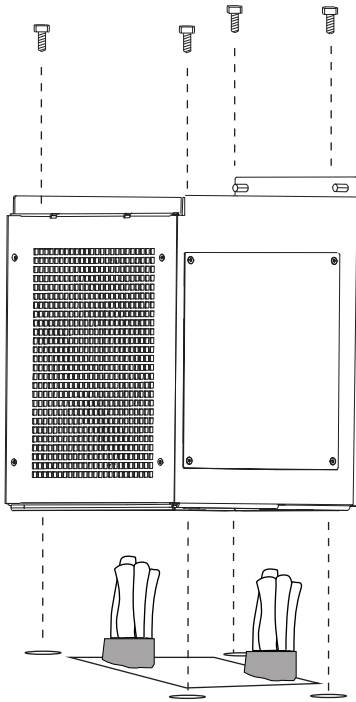


D7h–D8h

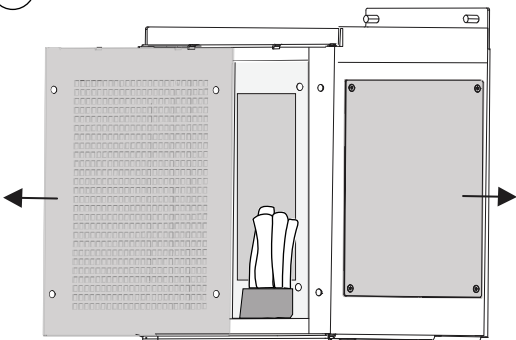


6.2

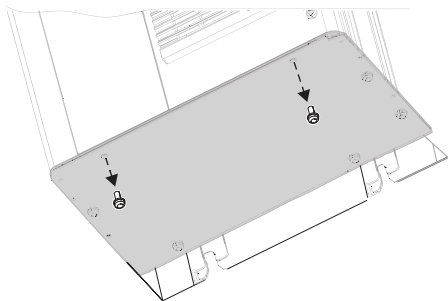
M12 [35 Nm (310 in-lb)]



6.3

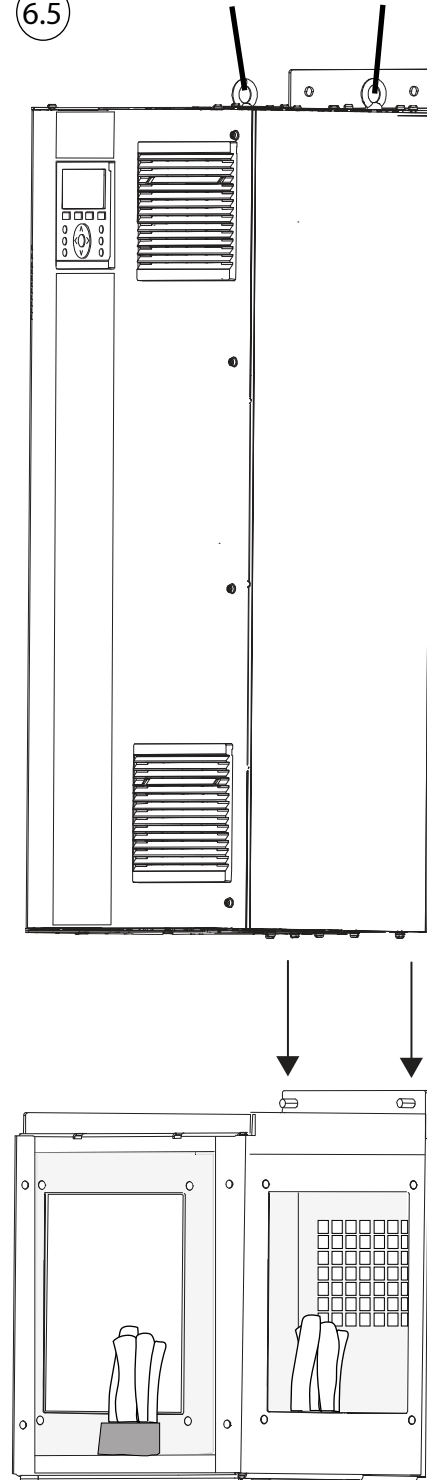


6.4

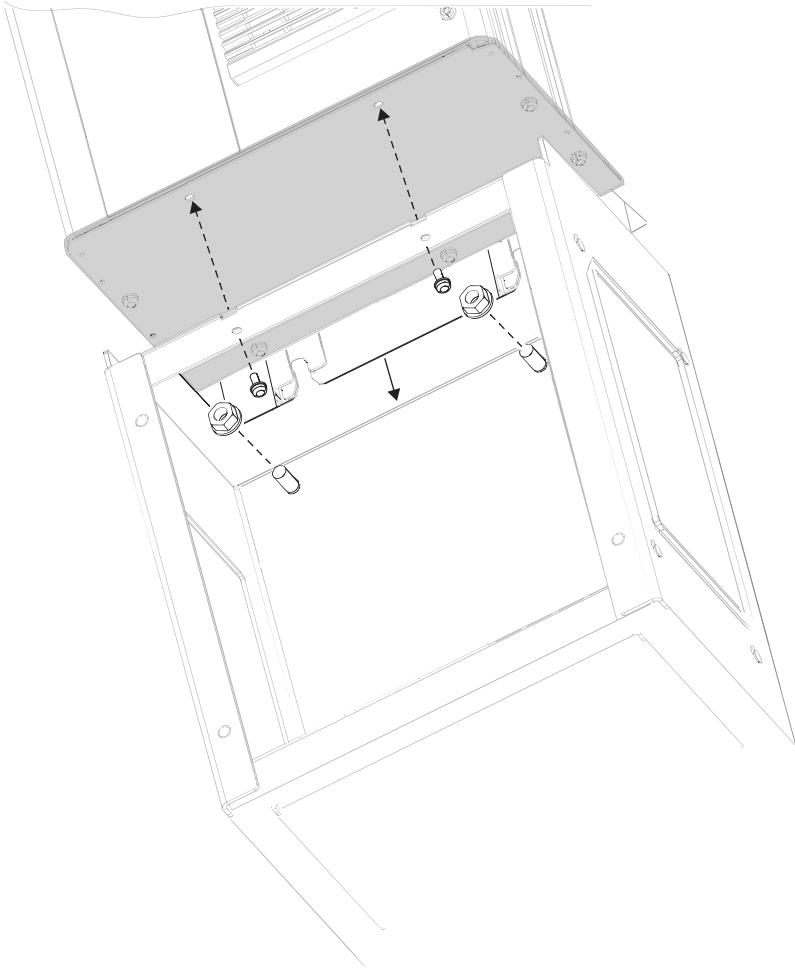


6.5

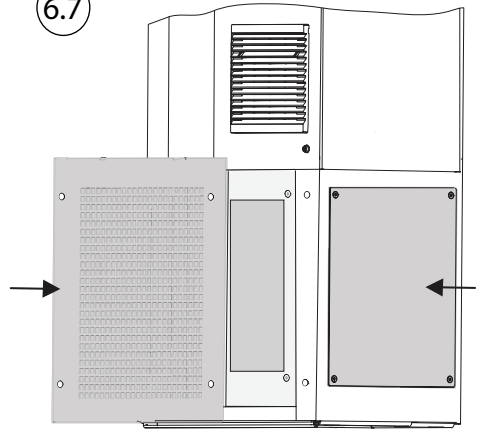
e30bb096.10



6.6



6.7



e30bb061.1.0

T25



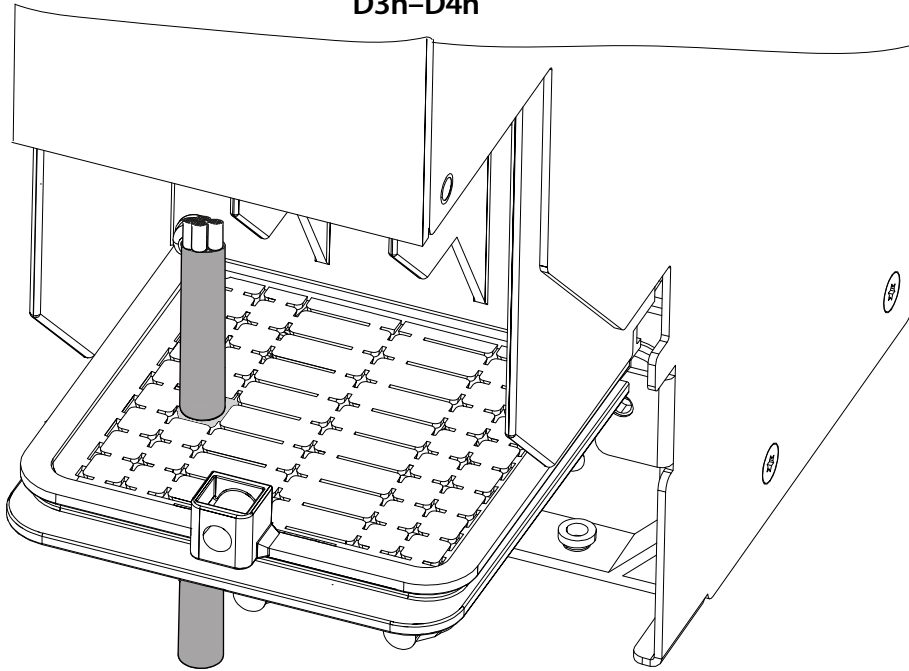
– [2.3 Nm (20 in-lb)]



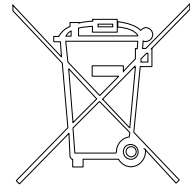
– [19 Nm (168 in-lb)]

7

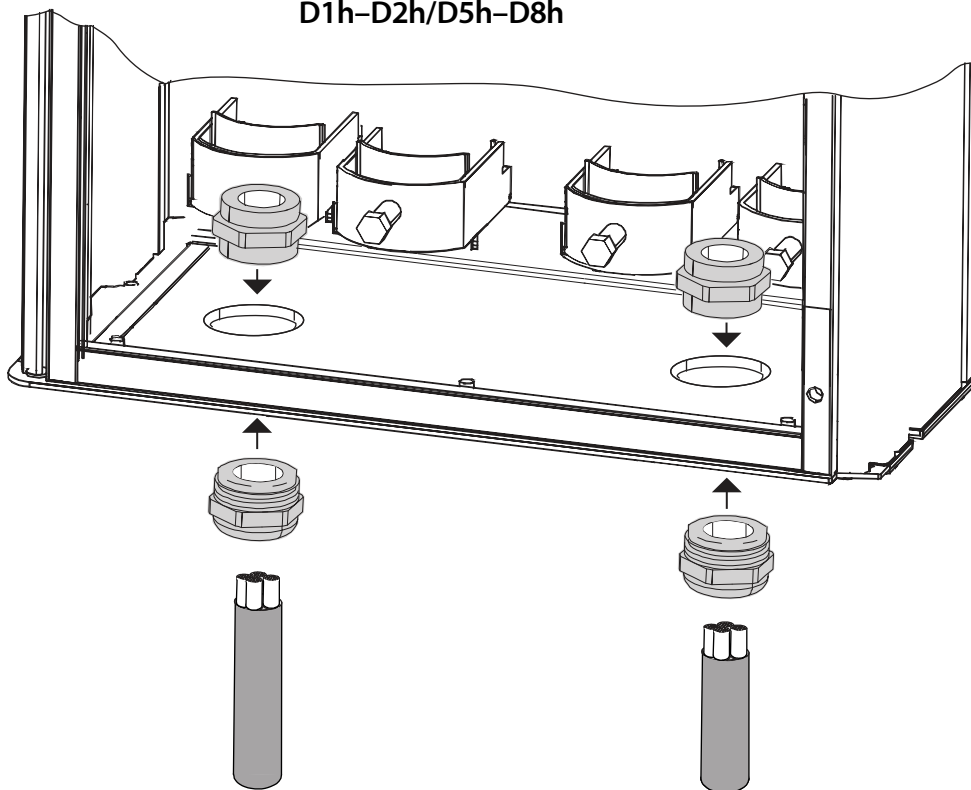
D3h–D4h



e30bb063.10

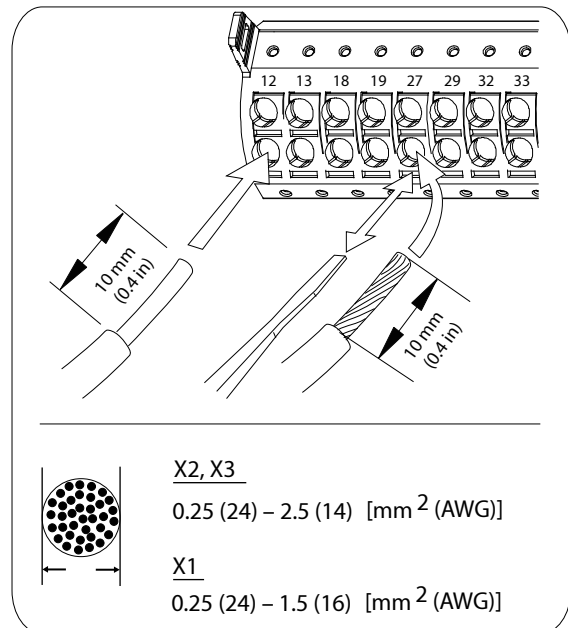
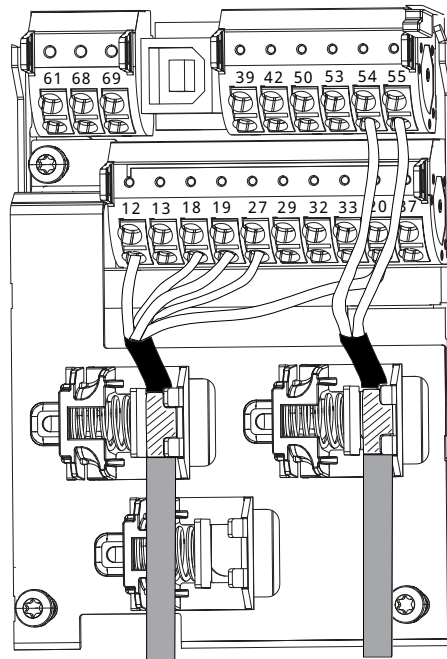
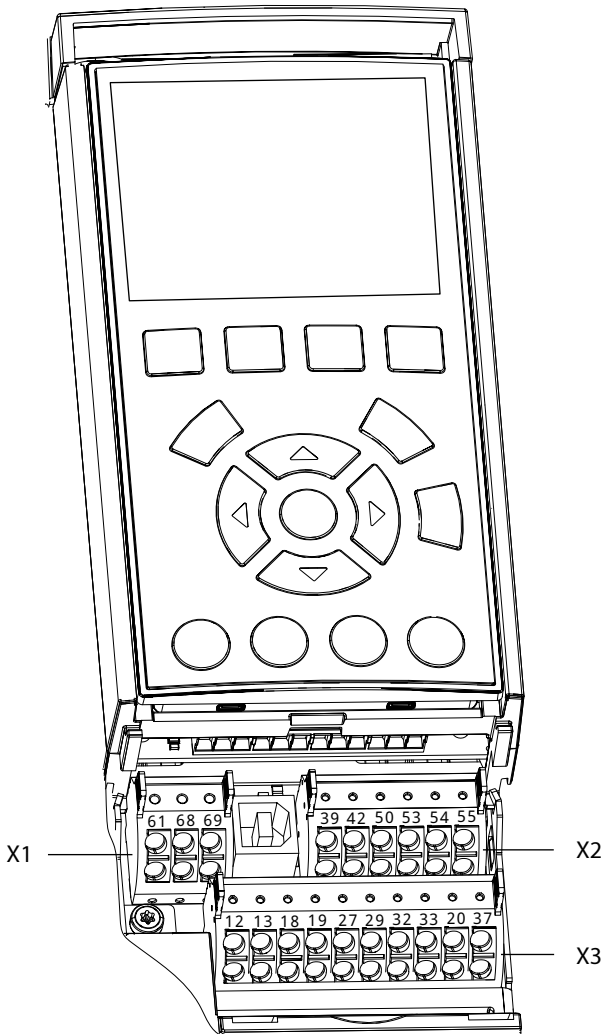


D1h–D2h/D5h–D8h



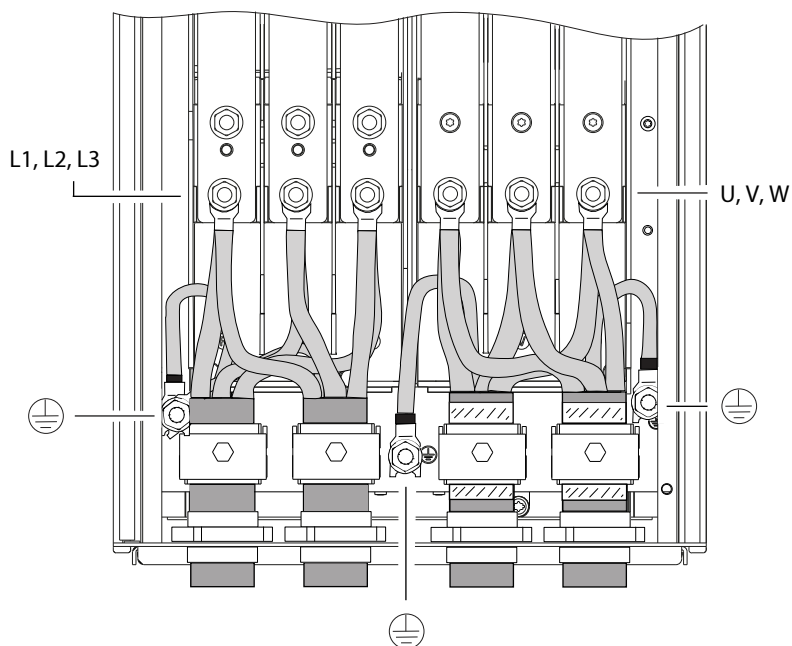
8 D1h–D8h

e30bb062.10



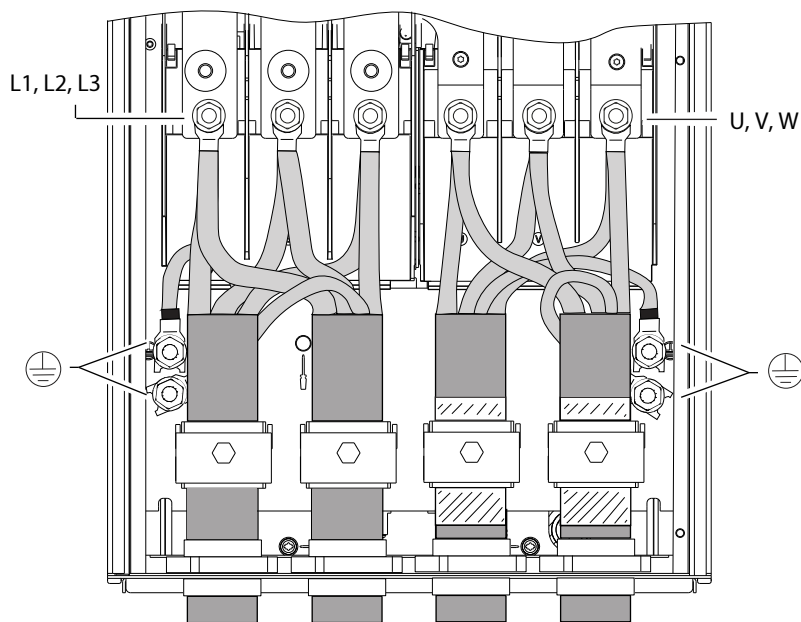
9 D1h

e30bb078.11



D1h	L1, L2, L3		M10 [19 Nm (168 in-lb)]
	U, V, W		M10 [19 Nm (168 in-lb)]
			M8 [9.6 Nm (84 in-lb)]

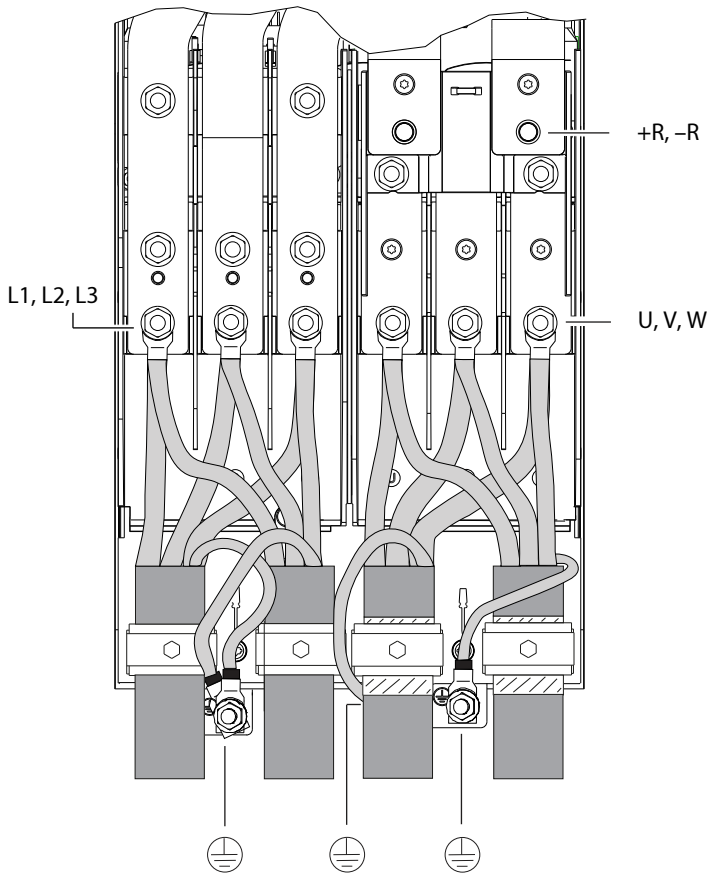
D2h



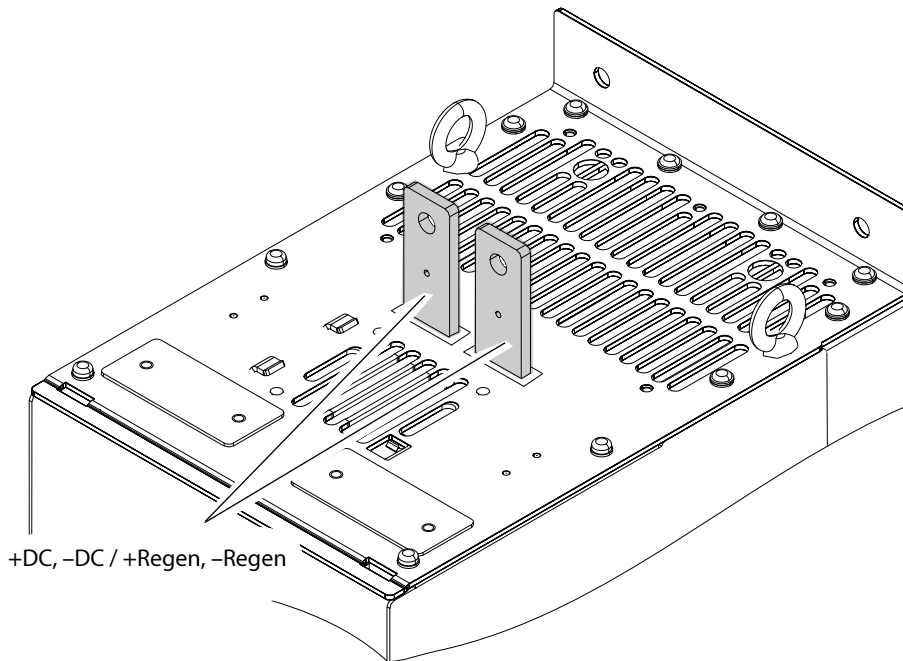
D2h	L1, L2, L3		M10 [19 Nm (168 in-lb)]
	U, V, W		M10 [19 Nm (168 in-lb)]
			M8 [9.6 Nm (84 in-lb)]

D3h

e30bb080.10

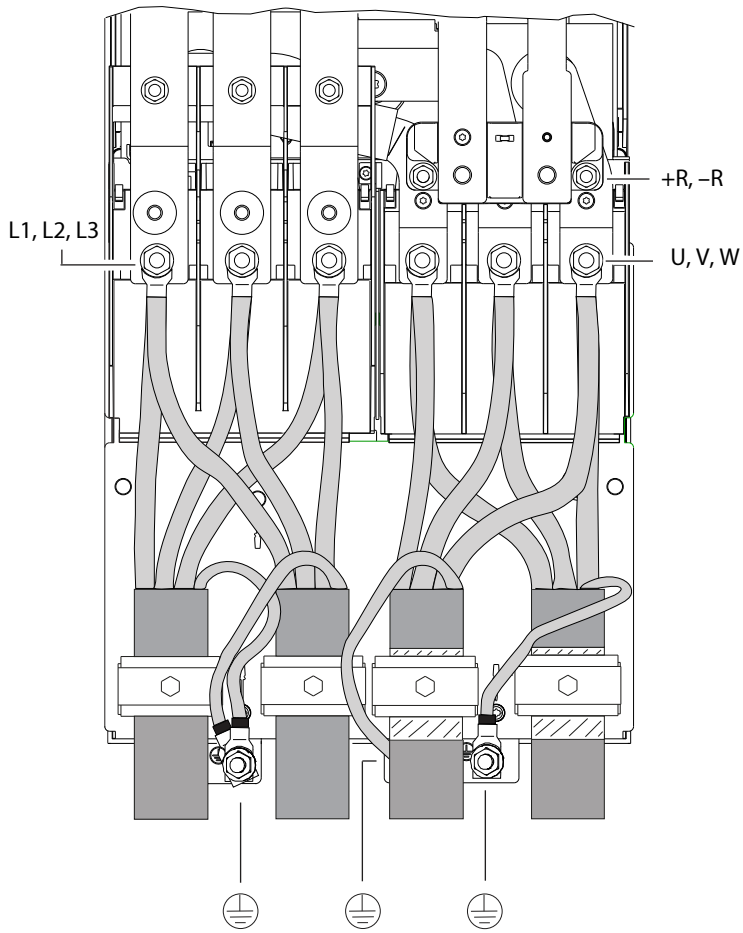


D3h	L1, L2, L3	M10 [19 Nm (168 in-lb)]
	U, V, W	M10 [19 Nm (168 in-lb)]
	+R -R	M10 [19 Nm (168 in-lb)]
	+Regen -Regen	M10 [19 Nm (168 in-lb)]
	+DC -DC	M10 [19 Nm (168 in-lb)]
		M8 [9.6 Nm (84 in-lb)]

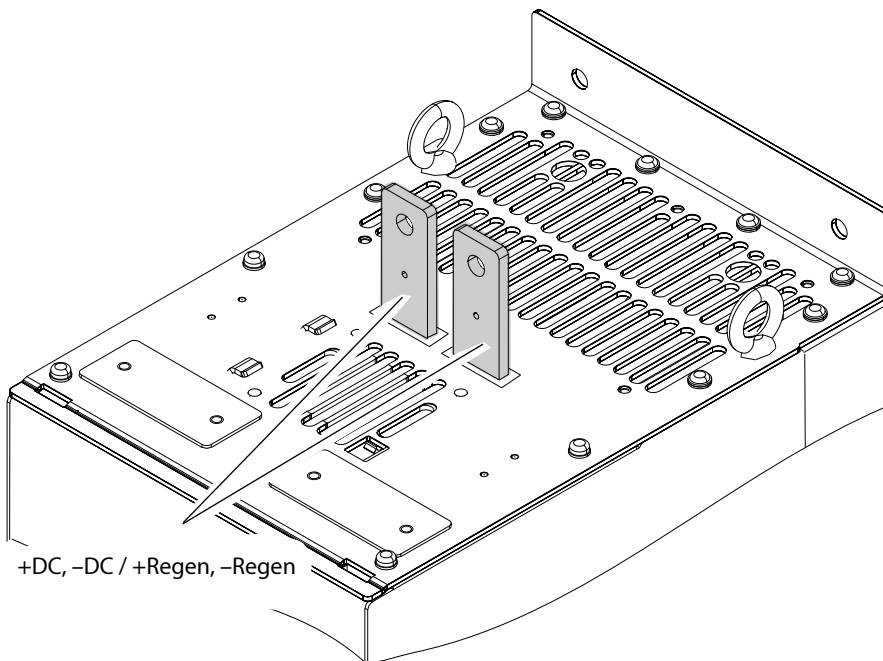


D4h

e30bb083.10

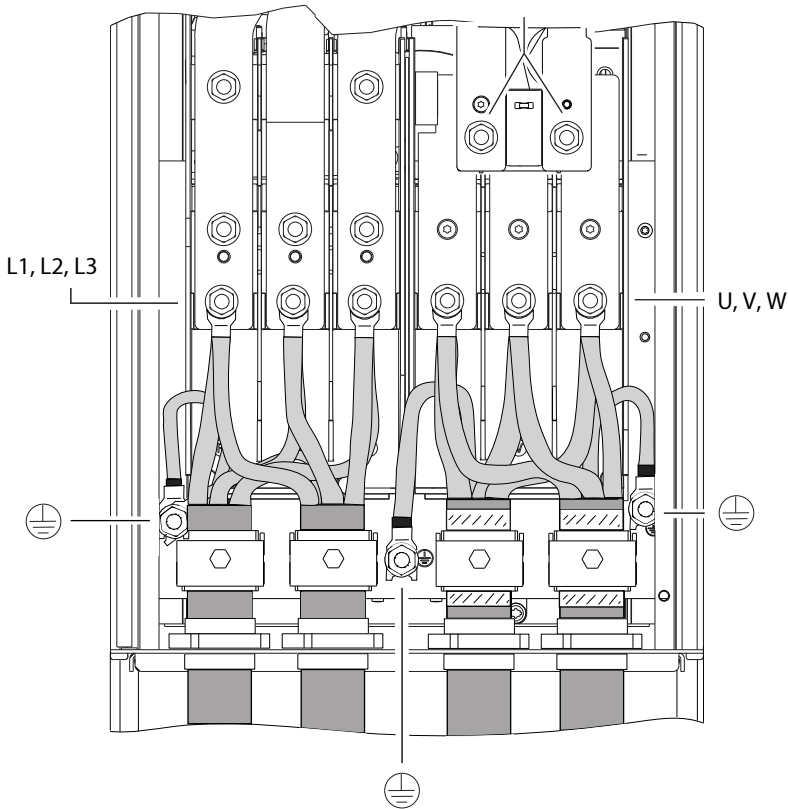


D4h	L1, L2, L3		M10 [19 Nm (168 in-lb)]
	U, V, W		M10 [19 Nm (168 in-lb)]
	+R -R		M10 [19 Nm (168 in-lb)]
	+Regen -Regen		M10 [19 Nm (168 in-lb)]
	+DC -DC		M10 [19 Nm (168 in-lb)]



D5h

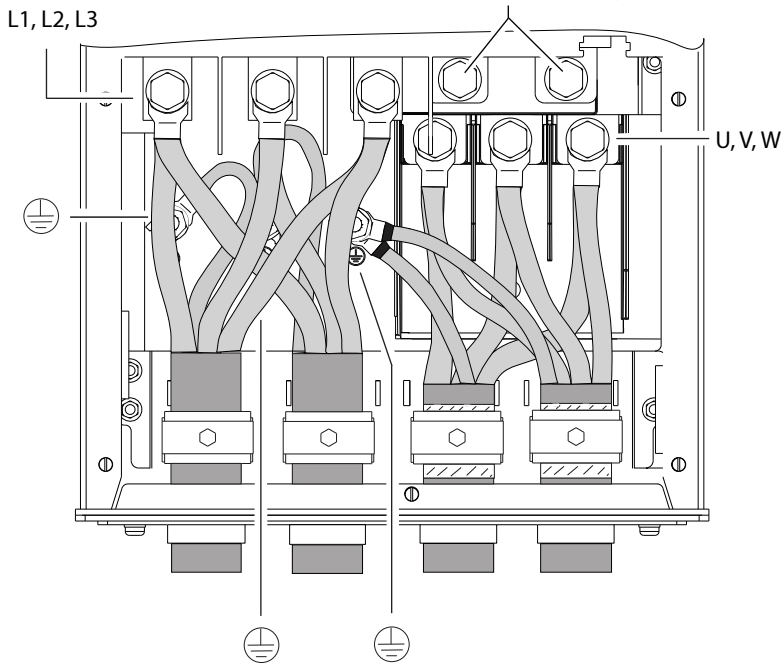
+R, -R / +Regen, -Regen



e-30bb082.10

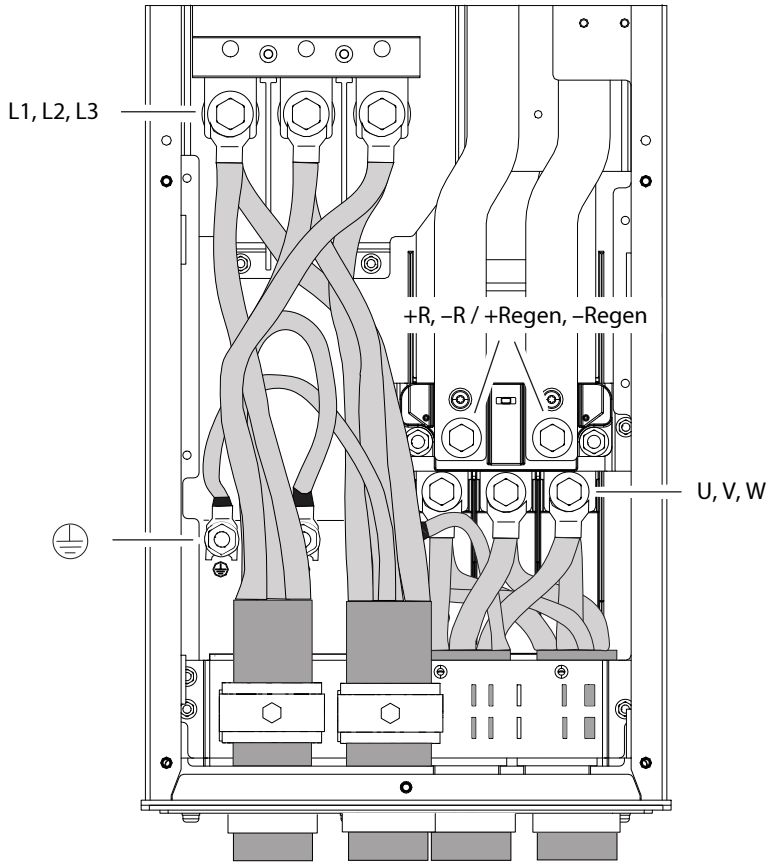
D5h	L1, L2, L3		M10 [19 Nm (168 in-lb)]
	U, V, W		M10 [19 Nm (168 in-lb)]
	+R -R		M10 [19 Nm (168 in-lb)]
	+Regen -Regen		M10 [19 Nm (168 in-lb)]

+R, -R / +Regen, -Regen



D6h

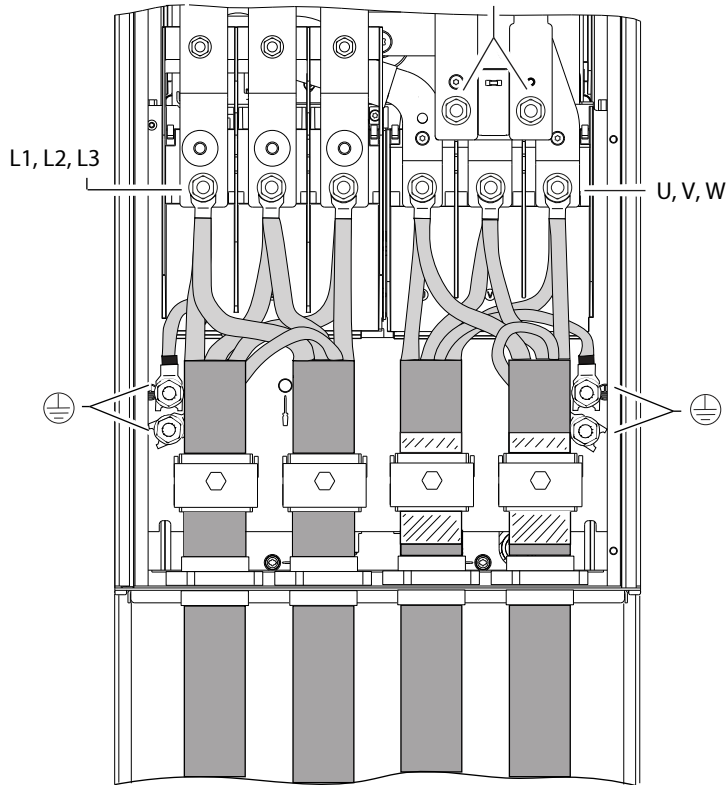
e30bl948.10



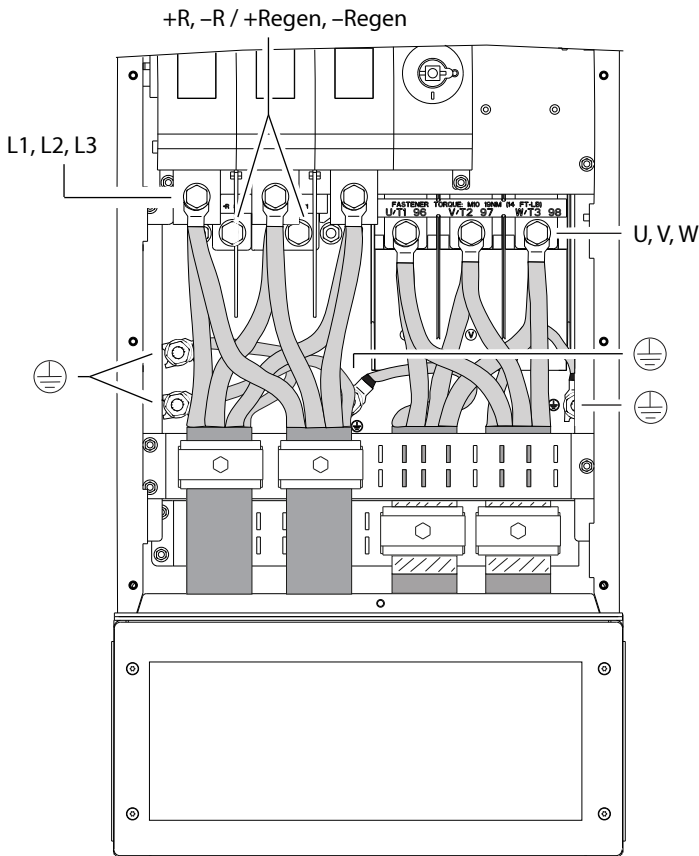
D6h	L1, L2, L3		M10 [19 Nm (168 in-lb)]
	U, V, W		M10 [19 Nm (168 in-lb)]
	+R -R		M10 [19 Nm (168 in-lb)]
	+Regen -Regen		M10 [19 Nm (168 in-lb)]
			M8 [9.6 Nm (84 in-lb)]

D7h

+R, -R / +Regen, -Regen

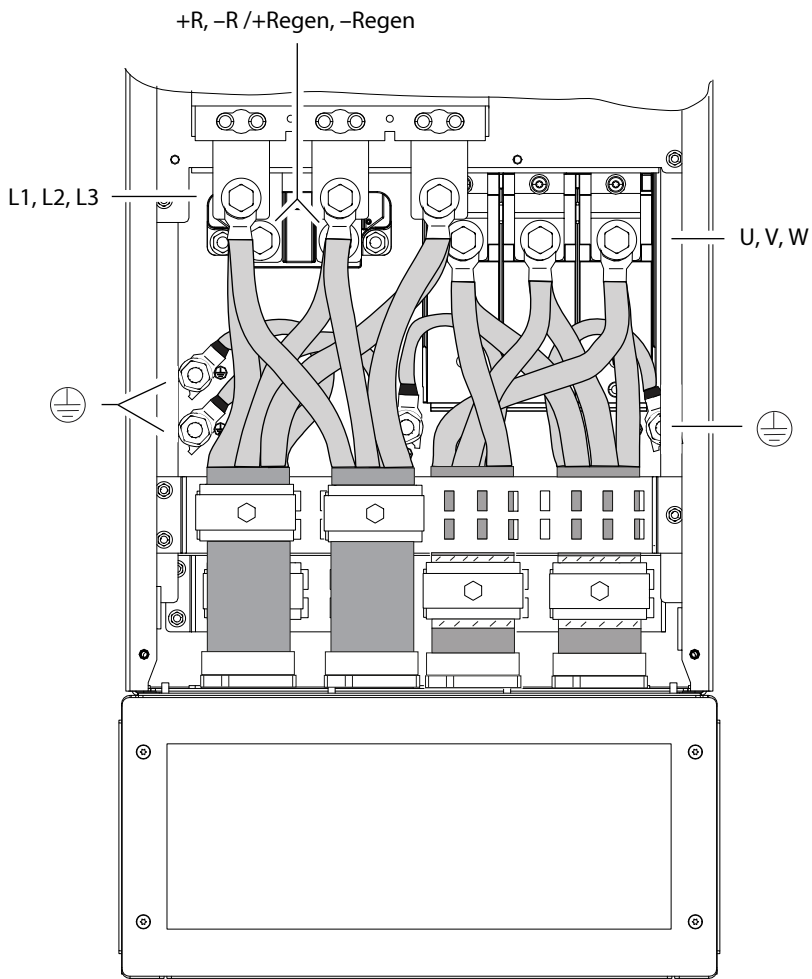


e30bb085.10



D7h	L1, L2, L3		M10 [19 Nm (168 in-lb)]
	U, V, W		M10 [19 Nm (168 in-lb)]
	+R -R		M10 [19 Nm (168 in-lb)]
	+Regen -Regen		M10 [19 Nm (168 in-lb)]

D8h



D8h	L1, L2, L3		M10 [19 Nm (168 in-lb)]
	U, V, W		M10 [19 Nm (168 in-lb)]
	+R -R		M10 [19 Nm (168 in-lb)]
	+Regen -Regen		M10 [19 Nm (168 in-lb)]
		 	M8 [9.6 Nm (84 in-lb)]





Danfoss A/S
Ulsnaes 1
DK-6300 Graasten

Any information, including, but not limited to information on selection of product, its application or use, product design, weight, dimensions, capacity or any other technical data in product manuals, catalog descriptions, advertisements, etc. and whether made available in writing, orally, electronically, online or via download, shall be considered informative, and is only binding if and to the extent, explicit reference is made in a quotation or order confirmation. Danfoss cannot accept any responsibility for possible errors in catalogs, brochures, videos and other material. Danfoss reserves the right to alter its products without notice. This also applies to products ordered but not delivered provided that such alterations can be made without changes to form, fit or function of the product. All trademarks in this material are property of Danfoss A/S or Danfoss group companies. Danfoss and the Danfoss logo are trademarks of Danfoss A/S. All rights reserved.

M00369

