

ENGINEERING  
TOMORROW

*Danfoss*

Installation Guide / Installation Guide / Instrukcja instalacji / Installationsguide / Priročnik za  
namestitev / Asennusopas / Telepítési útmutató / Instalační příručka / Ghid de instalare

# VLT® Frequency Converters, 90–400 kW

D1h–D8h (FC 102/FC 103/FC 202/FC 301/FC 302)





# 1 Installation

## 1.1 Qualified Personnel

Only qualified personnel are allowed to install, commission, and maintain Danfoss drives. Qualified personnel are trained individuals who are familiar with and authorized to mount and wire the drive in accordance with pertinent laws and regulations. Also, qualified personnel must be familiar with the instructions and safety measures described in this installation guide.

## 1.2 Safety Symbols

The following symbols are used in this guide:

### DANGER

Indicates a hazardous situation which, if not avoided, will result in death or serious injury.

### WARNING

Indicates a hazardous situation which, if not avoided, could result in death or serious injury.

### CAUTION

Indicates a hazardous situation which, if not avoided, could result in minor or moderate injury.

### NOTICE

Indicates information considered important, but not hazard-related (for example, messages relating to property damage).

## 1.3 Safety Precautions

### WARNING



#### LACK OF SAFETY AWARENESS

Before starting installation, read all safety guidelines and precautions in this installation guide. Additional documentation such as the product-specific operating guide, design guide, and programming guide, as well as the functional safety guides can be accessed by scanning the QR code on the front cover. PC tools and MyDrive® ecoSmart™ can be downloaded at [www.danfoss.com](http://www.danfoss.com).

This guide gives important information on preventing injury and damage to the equipment or the system. Ignoring this information can lead to death, serious injury, or severe damage to the equipment.

- Make sure to fully understand the dangers and safety measures present in the application.
- Before performing any electrical work on the drive, lock out and tag out all power sources to the drive.

 **WARNING****LIFTING HEAVY LOAD**

The drive is heavy. Lifting heavy objects incorrectly can result in death, injury, or property damage.

- Follow local safety regulations on lifting.
- Check the weight of the drive. The weight is provided on the outside of the shipping box.
- If lifting equipment is used, ensure that it is in proper working condition and can safely lift the weight of the drive.
- Test lift the drive to verify the proper center of gravity. Reposition the lifting point if not level.

 **WARNING****HAZARDOUS VOLTAGE**

Drives contain hazardous voltage when connected to AC or DC supply. Failure to perform installation, startup, and maintenance by qualified personnel can result in death or serious injury.

- Only qualified personnel must perform installation, startup, and maintenance.

 **WARNING****DISCHARGE TIME**

The drive contains DC-link capacitors, which can remain charged even when the drive is not powered. High voltage can be present even when the warning indicator lights are off. Failure to wait the specified time after power has been removed before performing service or repair work can result in death or serious injury.

- Stop the motor
- Disconnect all power sources, including permanent magnet type motors.
- Wait for capacitors to discharge fully. The discharge time is specified on the drive product label.
- Measure the voltage level to verify full discharge.

 **WARNING****UNINTENDED START**

When the drive is connected to the AC mains or connected on the DC terminals, the motor may start at any time, causing risk of death, serious injury, and equipment or property damage.

- Stop the drive and motor before configuring parameters.
- Make sure that the drive cannot be started by external switch, a fieldbus command, an input reference signal from the control panel, or after a cleared fault condition.
- Disconnect the drive from the mains whenever safety considerations make it necessary to avoid unintended motor start.
- Check that the drive, motor, and any driven equipment are in operational readiness.

 **CAUTION**
**INTERNAL FAILURE HAZARD**

An internal failure in the drive can result in serious injury when the drive is not properly closed.

- Ensure that all safety covers are in place and securely fastened before applying power.

 **WARNING**
**ELECTRICAL SHOCK AND FIRE HAZARD**

The drive can cause a DC current in the ground conductor. Failure to use a Type B residual current-operated protective device (RCD) can lead to the RCD not providing the intended protection which can result in death, fire, or other serious hazard.

- Use an RCD device.
- When an RCD is used for protection against electrical shock or fire, use only a Type B device on the supply side.

 **WARNING**
**INDUCED VOLTAGE**

Induced voltage from output motor cables that run together can charge equipment capacitors, even with the equipment turned off and locked out/tagged out. Failure to run output motor cables separately, or to use shielded cables, could result in death or serious injury.

- Run output motor cables separately or use shielded cables.
- Simultaneously lock out/tag out all the drives.

 **WARNING**
**ELECTRICAL SHOCK HAZARD**

Due to the stray capacitance of the shielded motor cable, the leakage currents exceed 3.5 mA. Failure to properly ground the drive can result in death or serious injury.

- Ensure that minimum size of the ground conductor complies with the local safety regulations for high touch current equipment.
- Use a reinforced ground conductor according to IEC 60364-5-54 cl. 543.7 or local safety regulations for equipment with leakage current >3.5 mA.
- For reinforced grounding:
  - Use a ground conductor with a cross-section of at least 10 mm<sup>2</sup> (8 AWG) Cu or 16 mm<sup>2</sup> (6 AWG) Al, or an extra ground conductor of the same cross-sectional area as the original ground conductor as specified by IEC 60364-5-54, with a minimum cross-sectional area of 2.5 mm<sup>2</sup> (14 AWG) mechanically protected or 4 mm<sup>2</sup> (12 AWG) not mechanically protected.
  - Use a ground conductor inside an enclosure or otherwise protected throughout its length against mechanical damage.
  - Use a ground conductor that is part of a multi-conductor power cable with a minimum PE conductor cross-section of 2.5 mm<sup>2</sup> (14 AWG) that is permanently connected or plugged in by an industrial connector. The multi-conductor power cable must be installed with an appropriate strain relief.

 **CAUTION****THERMISTOR INSULATION**

Risk of personal injury or equipment damage.

- To meet the PELV insulation requirements, use only thermistors with reinforced or double insulation.

**NOTICE****EXCESSIVE HEAT AND PROPERTY DAMAGE**

Overcurrent can generate excessive heat within the drive. Failure to provide overcurrent protection can result in risk of fire and property damage.

- Additional protective devices such as short-circuit protection or motor thermal protection between drive and motor is required for applications with multiple motors.
- Input fusing is required to provide short-circuit and overcurrent protection. If fuses are not factory-supplied, the installer must provide them. Refer to the product-specific documentation for fuse specifications.

**NOTICE****PROPERTY DAMAGE**

Protection against motor overload is not active by default. Failure to set the ETR function means that motor overload protection is not provided and property damage can occur if the motor overheats.

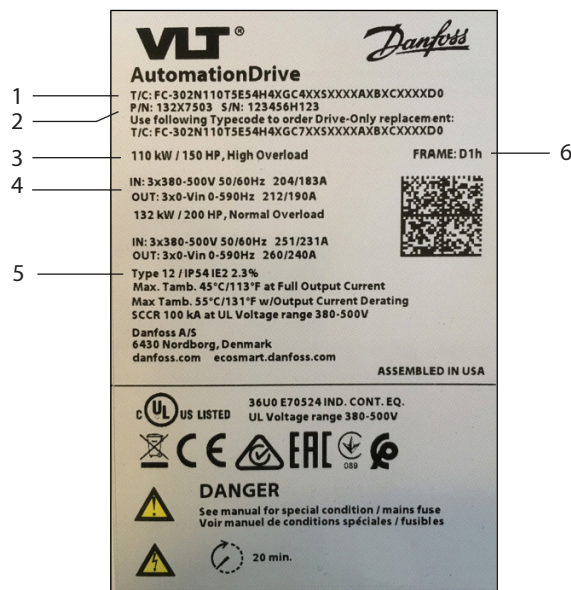
- To provide class 20 motor overload protection, enable the ETR function. See the programming guide for more information.

## 1.4 Required Tools

- Lifting aid
- Tape measure
- Drill with assorted bits
- Screwdrivers (Torx, Phillips, slotted)
- Wrench with 7–17 mm sockets
- Socket extensions
- Sheet metal punch and/or pliers
- Wire crimper

## 1.5 Verifying the Shipment and Its Contents

Verify the items supplied and the information on the product label match the order. The product label is on the exterior of the drive.



e30bb076.10

Figure 1: Example of a Product Label

1	Type code	2	Part number and serial number
3	Power rating	4	Input/output voltage, frequency, and current
5	Enclosure protection rating	6	Enclosure size

## 1.6 EMC-compliant Installation

For more information, refer to the operating or design guide.

- Use shielded cables for motor output (unshielded cables in metal conduit are acceptable), brake, DC, and control wiring.
- Ensure that motor, brake, and DC cables are as short as possible to reduce the interference level from the entire system. Provide a minimum space of 200 mm (7.9 in) between mains input, motor cables, and control cables.
- Convey the currents back to the drive using a metal mounting plate and proper EMC bonding clamps. Ensure good electrical contact from the mounting plate through the mounting screws to the metal frame of the enclosure.
- If the shield connection points have a voltage potential difference, connect a low impedance equalizing wire parallel to the shielded cable.
- When using relays, control cables, a signal interface, fieldbus, or brake, connect the shield to the enclosure at both ends. If the ground path has high impedance, is noisy, or is carrying current, break the shield connection on one end to avoid ground current loops.

## 1.7 Installing the Drive

**WARNING**

**SHOCK HAZARD**

Touching an uncovered motor, mains, or DC connection plug or terminal can result in death or serious injury.

- All plugs and terminal protection covers for the motor, mains, and DC connections must be installed within the IP20 enclosure to provide an IP20 protection rating. If plug and terminal covers are not installed, the protection rating is considered IP00.

**The installation location is important.** Full output current is available when the following installation conditions are met. For temperatures and altitudes outside this range, consult the Derating sections in the product-specific design guide.

- Maximum ambient temperature: 45 °C (113 °F) average over 24 hours and 50 °C (122 °F) for 1 hour.
- Minimum ambient temperature: 0 °C (32 °F).
- Altitude < 1000 m (3280 ft) above sea level.

1. Identify the enclosure size. See Illustration 1.
2. Identify any options that need extra wiring and setup by using the type code. See step 1 in the Illustrations section.

Scanning the QR code on the cover opens the documentation search page. Use the option number to search for related documentation. For example, use MCA 120 to search for VLT® PROFINET MCA 120 documentation.

3. Make sure that the operating environment and electrical installation meet the following standards.
  - a. Indoor unconditioned/pollution degree 2.
  - b. Overvoltage category 3.
4. Review the wiring diagram. See step 2 in the Illustrations section.

All wiring must comply with local and national regulations regarding cross-section and ambient temperature requirements. Loose connections can cause equipment faults or reduced performance. Tighten the terminals according to the proper torque value shown in step 9 in the Illustrations section.

5. Review the fuse specifications. See step 3 in the Illustrations section.

The drive can be suitable for use on a circuit capable of delivering up to 100 kA short circuit current rating (SCCR) at 480/600 V. For circuit breaker and switch SCCR ratings, see the product-specific design guide.

6. Review the power cable specifications. See step 4 in the Illustrations section.

Use copper wire with a minimum 70 °C (158 °F) rating. For aluminum wire, see the product-specific design guide.

7. Install the drive following the numbered steps in the Illustrations section. Certain illustrations/steps pertain to specific enclosure sizes and are marked as such.
  - a. Attach accessory bag components to the drive. See step 5 in the Illustrations section.
  - b. Mount the drive on or against a solid, non-combustible mounting surface such as concrete or metal. Ensure proper cooling by providing minimum clearance above and below the drive. See step 6 in the Illustrations section.

D3h–D4h are wall mounted, D1h–D2h and D5h–D6h are wall or floor mounted, and D7h–D8h are floor mounted.

- c. Create cable openings in the cable entry plate. See step 7 in the Illustrations section.
  - d. Install the control wiring. See step 8 in the Illustrations section.
  - e. Install the motor, mains, and ground wiring. See step 9 in the Illustrations section.
  - f. Route the control cables towards the left side of the drive.
8. Securely fasten the cover to the drive.
  9. Perform initial drive and motor setup. Consult the product-specific programming guide.

Functional safety options require extra wiring and parameter configuration. See the specific functional safety operating guide, such as the Safe Torque Off Operating Guide, for more information on installing the safety option.



## 1.8 Fire/Emergency Mode

When running in fire/emergency mode, the frequency converter can be programmed to sacrifice itself so the applications (for example, ventilation or water pumps) continue to operate as long as possible.

Before activating the fire/emergency mode, ensure that all relevant parameters for the motor and application are configured correctly. Danfoss recommends running the application from minimum to maximum speed and then bringing the application to a complete stop to verify that it functions correctly without triggering any warnings or alarms on the local control panel. Failure to complete this step before enabling the fire/emergency mode can result in loss of warranty. For more instructions on configuring the fire/emergency mode, see *Parameter Group 24-\*\* Application Functions 2* in the VLT programming guide, or contact your local Danfoss office.

## 1.9 Power Losses and Efficiency

For power loss data including part load losses, see <https://ecosmart.mydrive.danfoss.com>.

# 1 Installation

## 1.1 Uddannet personale

Kun uddannet personale må installere, idriftsætte og vedligeholde frekvensomformere fra Danfoss. Uddannet personale er uddannede personer, der er fortrolige med og autoriseret til at montere og tilslutte frekvensomformeren i overensstemmelse med gældende love og bestemmelser. Derudover skal det uddannede personale være bekendt med de instruktioner og sikkerhedsforanstaltninger, der er beskrevet i denne Installation Guide.

## 1.2 Sikkerhedssymboler

Følgende symboler anvendes i denne vejledning:



Angiver en farlig situation, som, hvis den ikke undgås, vil medføre dødsfald eller alvorlig personskade.



Angiver en farlig situation, som, hvis den ikke undgås, kan medføre dødsfald eller alvorlig personskade.



Angiver en farlig situation, som, hvis den ikke undgås, kan medføre mindre eller moderat personskade.

**BEMÆRK**

Angiver information, der betragtes som værende vigtig, men som ikke er relateret til fare (for eksempel meddelelser om beskadigelse af ejendom).

## 1.3 Sikkerhedsforanstaltninger

**MANGLENDE SIKKERHEDSBEVÅGENHED**

Læs alle sikkerhedsretningslinjer og forholdsregler i denne installationsvejledning, inden installationen påbegyndes. Yderligere dokumentation som f.eks. den produktspecifikke betjeningsvejledning, Design Guide og programmeringsvejledning samt funktionssikkerhedsvejledningerne kan tilgås ved at scanne QR-koden på frontdækslet. PC-værktøjer og MyDrive® ecoSmart™ kan downloades på [www.danfoss.com](http://www.danfoss.com).

Denne Installation Guide indeholder vigtige oplysninger om, hvordan personskade og skader på udstyret eller systemet undgås. Hvis disse oplysninger ignoreres, kan det medføre dødsfald, alvorlig personskade eller alvorlig beskadigelse af udstyret.

- Sørg for fuldt ud at forstå de farer og sikkerhedsforanstaltninger, der er forbundet med applikationen.
- Før der udføres elektrisk arbejde på frekvensomformeren, skal alle strømkilder fra frekvensomformeren aflåses og afmærkes.

 **ADVARSEL****LØFT AF TUNG BELASTNING**

Frekvensomformerer er tung. Forkert løft af tunge genstande kan medføre dødsfald, personskade eller materiel skade.

- Følg de lokale sikkerhedsforskrifter for løft.
- Kontrollér frekvensomformerens vægt. Vægten er angivet på ydersiden af forsendelseskassen.
- Hvis der anvendes løfteudstyr, skal det sikres, at det er i korrekt driftstilstand og kan løfte frekvensomformerens vægt på sikker vis.
- Testløft frekvensomformerer for at bekræfte det korrekte tyngdepunkt for løft. Flyt løftepunktet, hvis det ikke er vandret.

 **ADVARSEL****FARLIG SPÆNDING**

Frekvensomformere har farlig spænding, når de er tilsluttet AC- eller DC-forsyningen. Hvis montering, opstart og vedligeholdelse ikke udføres af uddannet personale, kan det resultere i død eller alvorlig personskade.

- Montering, opstart og vedligeholdelse må kun udføres af uddannet personale.

 **ADVARSEL****AFLADNINGSTID**

Frekvensomformerer indeholder DC-link-kondensatorer, der kan forblive opladede, selv når frekvensomformerer ikke er forsynet med strøm. Der kan være højspænding til stede, selv når advarselsindikatorlysene er slukkede. Det kan resultere i død eller alvorlig personskade, hvis der ikke ventes det angivne tidsrum, efter at strømmen er slået fra, før der udføres service- eller reparationsarbejde.

- Stop motoren.
- Afbryd alle strømkilder, herunder permanente magnetmotorer.
- Vent, indtil kondensatorerne er helt afladede. Afladningstiden er angivet på frekvensomformerens typeskilt.
- Mål spændingsniveauet for at bekræfte fuld afladning.

 **ADVARSEL****UTILSIGTET START**

Når frekvensomformerer er tilsluttet netspændingen eller DC-klemmer, er der risiko for, at motoren kan starte når som helst, hvilket kan resultere i død, alvorlig personskade, materiel skade eller beskadigelse af udstyr.

- Stop frekvensomformerer og motoren, før parametrene konfigureres.
- Sørg for, at frekvensomformerer ikke kan startes med en ekstern kontakt, en fieldbus-kommando, et indgangsreferencesignal fra betjeningspanelet eller efter en slettet fejltilstand.
- Afbryd netforsyningen til frekvensomformerer, når det af sikkerhedsmæssige årsager er nødvendigt at undgå utilsigtet motorstart.
- Kontrollér, at frekvensomformerer, motoren og det drevne udstyr er driftsklart.

 **FORSIGTIG****FARE PGA. INTERN FEJL**

En intern fejl i frekvensomformereren kan resultere i alvorlig personskade, når frekvensomformereren ikke er lukket korrekt.

- Sørg for, at alle dæksler er på plads og fastgjort sikkert, inden apparatet forsynes med strøm.

 **ADVARSEL****RISIKO FOR ELEKTRISK STØD OG BRAND**

Frekvensomformereren kan forårsage en jævnstrøm i jordlederen. Hvis der ikke anvendes en fejlstrømsafbryder (RCD) af type B, kan det medføre, at fejlstrømsafbryderen ikke yder den tilsigtede beskyttelse, hvilket kan medføre dødsfald, brand eller andre alvorlige farer.

- Brug en RCD-enhed.
- Når der anvendes en RCD som beskyttelse mod elektrisk stød eller brand, må der kun anvendes en fejlstrømsafbryder af type B på forsyningsiden.

 **ADVARSEL****INDUCERET SPÆNDING**

Induceret spænding fra udgangsmotorkabler, der løber sammen, kan oplade apparatets kondensatorer, selv når apparatet er aflåst og afmærket. Hvis udgangsmotorkablerne ikke føres hver for sig, eller hvis der ikke bruges skærmede kabler, kan det resultere i død eller alvorlig personskade.

- Motorkablerne skal føres hver for sig, eller brug skærmede kabler.
- Aflås og afmærk alle frekvensomformere samtidigt.

 **ADVARSEL****RISIKO FOR ELEKTRISK STØD**

På grund af det afskærmede motorkabels parasitkapacitans overstiger lækstrømmen 3,5 mA. Hvis frekvensomformereren ikke jordes korrekt, kan det resultere i død eller alvorlig personskade.

- Sørg for, at jordlederens minimumsstørrelse overholder de lokale sikkerhedsforskrifter for udstyr med høj berøringsstrøm.
- Brug en forstærket jordleder i henhold til IEC 60364-5-54 afsnit 543.7 eller lokale sikkerhedsforskrifter for udstyr med en lækstrøm >3,5 mA.
- For forstærket jording:

Brug en jordleder med et tværsnit på mindst 10 mm<sup>2</sup> (8 AWG) Cu eller 16 mm<sup>2</sup> (6 AWG) Al eller en ekstra jordleder med samme tværsnitsflade som den oprindelige jordleder, som angivet i IEC 60364-5-54, med en minimum tværsnitsflade på 2,5 mm<sup>2</sup> (14 AWG) mekanisk beskyttet, eller 4 mm<sup>2</sup> (12 AWG) ikke mekanisk beskyttet.

Brug en jordleder inden i en kapsling, eller som på anden måde er beskyttet i hele dens længde mod mekanisk beskadigelse.

Brug en jordleder, der er en del af et flerlederstrømkabel med et minimum PE-ledertværsnit på 2,5 mm<sup>2</sup> (14 AWG), som er permanent tilsluttet eller forbundet via et industristik. Flerlederstrømkablet skal installeres med en passende trækafstning.

 **FORSIGTIG****TERMISTORISOLERING**

Risiko for personskade eller skade på udstyret.

- For at overholde PELV-isoleringskravene må der kun anvendes termistorer med forstærket eller dobbelt isolering.

**BEMÆRK****FOR HØJ VARME OG MATERIEL SKADE**

Overstrøm kan generere for høj varme i frekvensomformeren. Manglende overstrømsbeskyttelse kan medføre risiko for brand og materiel skade.

- Der kræves yderligere beskyttende udstyr, f.eks. kortslutningsbeskyttelse eller termisk motorbeskyttelse, mellem frekvensomformeren og motoren i applikationer med flere motorer.
- Der kræves indgangssikringer for at beskytte mod kortslutninger og overstrøm. Hvis sikringer ikke medfølger fra fabrikken, skal montøren levere dem. Se den produktspecifikke dokumentation for sikringspecifikationer.

**BEMÆRK****MATERIEL SKADE**

Beskyttelse mod overbelastning af motoren er ikke aktiv som standard. Hvis ETR-funktionen ikke indstilles, ydes der ikke overbelastningsbeskyttelse af motor, og der kan opstå materiel skade, hvis motoren overophedes.

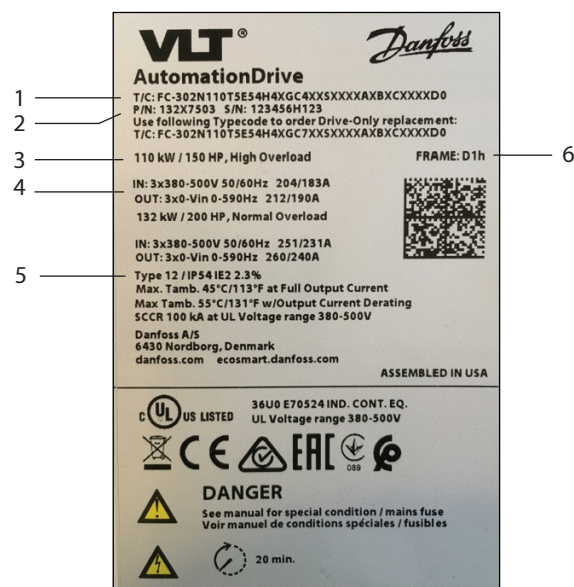
- Aktivér ETR-funktionen for at opnå overbelastningsbeskyttelse af motoren i klasse 20. Yderligere oplysninger findes i programmeringsvejledningen.

## 1.4 Nødvendigt værktøj

- Løfteanordning
- Målebånd
- Bor med diverse bits
- Skruetrækkere (Torx, Phillips, ligekærv)
- Skruenøgle med 7-17 mm toppe
- Forlængerstykker
- Metalpladeudstanser og/eller tænger
- Crimp-tang

## 1.5 Kontrol af forsendelsen og indholdet

Kontrollér, at de leverede varer og oplysningerne på produktmærkaten svarer til ordrebekræftelsen. Produktmærkaten sidder på frekvensomformerens yderside.



e30bb076.10

Figur 1: Eksempel på produktmærkat

1	Typekode	2	Varenummer og serienummer
3	Nominel effekt	4	Indgangs-/udgangsspænding, frekvens og strøm
5	Kapslingsbeskyttelsesklassificering	6	Kapslingsstørrelse

## 1.6 EMC-korrekt installation

Yderligere oplysninger findes i den produktspecifikke Design Guide.

- Anvend skærmede kabler til motorudgangen (uskærmede kabler i metalledningsrør kan accepteres), bremse, DC og styreledningsføring.
- Sørg for, at motor-, bremse- og DC-kabler er så korte som muligt for at reducere forstyrrelsesniveauet fra hele systemet. Sørg for en afstand på mindst 200 mm (7,9 tommer) mellem netforsyning, motorkabler og styreledninger.
- Før strømmene tilbage til frekvensomformeren ved hjælp af en monteringsplade af metal og passende EMC-jordingsbøjler. Sørg for god elektrisk kontakt fra monteringspladen gennem monteringskruerne til frekvensomformerens kapsling.
- Hvis skærmens tilslutningspunkter har en spændingspotentialeforskel, skal der tilsluttes en ledning med lav impedansudligning parallelt med det afskærmede kabel.
- Til brug sammen med relæer, styreledninger, signalinterface, fieldbus eller bremse skal skærmen tilsluttes kapslingen i begge ender. Hvis jordstien har en høj impedans, støj eller er strømbærende, skal skærmtilslutningen brydes i den ene ende for at undgå jordsløjfer.

## 1.7 Installation af frekvensomformeren

 **ADVARSEL**
**FARE FOR STØD**

Berøring af et uafdækket motor-, netforsynings- eller DC-tilslutningsstik eller en klemme kan medføre dødsfald eller alvorlig personskade.

- Alle stik og klemmebeskyttelsesafdækninger til motor-, netforsynings- og DC-tilslutninger skal installeres i IP20-kapslingen for at opnå en IP20-beskyttelsesklassificering. Hvis stik- og klemmeafdækninger ikke er installeret, betragtes beskyttelsesklassificeringen som IP00.

**Installationsstedet er vigtigt.** Fuld udgangsstrøm er tilgængelig, når følgende installationsbetingelser er opfyldt. Se afsnittet Derating i den produktspecifikke Design Guide for temperaturer og højder uden for dette område.

- Maks. omgivelsestemperatur: 45 °C (113 °F) i gennemsnit over 24 timer og 50 °C (122 °F) i 1 time.
  - Min. omgivelsestemperatur: 0 °C (32 °F).
  - Højde < 1.000 m over havets overflade.
1. Identificer kapslingsstørrelsen. Se illustration 1.
  2. Identificer eventuelle optioner, der kræver ekstra ledningsføring og opsætning, ved hjælp af typekoden. Se trin 1 i afsnittet Illustrationer.

Scanning af QR-koden på frontdækslet åbner siden til dokumentationssøgning. Brug optionsnummeret til at søge efter relateret dokumentation. Brug for eksempel MCA 120 til at søge efter VLT PROFINET MCA 120-dokumentation.

3. Sørg for, at driftsmiljøet og den elektriske installation overholder følgende standarder.
  - a. Indendørs ukonditioneret/forureningsgrad 2.
  - b. Overspændingskategori 3.
4. Gennemgå ledningsdiagrammet. Se trin 2 i afsnittet Illustrationer.

Al ledningsføring skal overholde lokale og nationale bestemmelser om krav til tværsnit og omgivelsestemperatur. Løse forbindelser kan forårsage fejl på udstyret eller nedsat ydeevne. Spænd klemmerne i henhold til den korrekte tilspændingsværdi, der er vist i trin 9 i afsnittet Illustrationer.

5. Gennemgå sikringspecifikationerne. Se trin 3 i afsnittet Illustrationer.

Frekvensomformerer egner sig til brug i et kredsløb, der kan levere op til 100 kA kortslutningsstrømklassificering (SCCR) ved 480/600 V. Se den produktspecifikke Design Guide vedrørende afbryder- og kontakt-SCCR-klassificeringer.

6. Gennemgå specifikationerne for strømkablet. Se trin 4 i afsnittet Illustrationer.

Anvend kobbertråd med en klassificering på mindst 70 °C (158 °F). Se den produktspecifikke Design Guide vedrørende aluminiumstråd.

7. Installer frekvensomformerer ved at følge de nummererede trin i afsnittet Illustrationer. Bemærk, at visse illustrationer/trin vedrører specifikke kapslingsstørrelser og er markeret som sådanne.
  - a. Fastgør tilbehørsposens komponenter til frekvensomformerer (trin 5).
  - b. Montér frekvensomformerer på eller imod en solid, ikke-brændbar monteringsoverflade, såsom beton eller metal (trin 6). Sørg for korrekt køling ved at tillade en minimumafstand over og under frekvensomformerer.

D3h–D4h er vægmonterede, D1h–D2h og D5h–D6h er væg- eller gulvmonterede, og D7h–D8h er gulvmonterede.

- c. Lav åbninger til kabler i kabelindgangspladen (trin 7).

- d. Monter styreledningsføringen (trin 8).
  - e. Installer motor-, netforsynings- og jordledningerne (trin 9).
  - f. Før styreledningerne mod venstre side af frekvensomformerens.
8. Fastgør dækslet forsvarligt til frekvensomformerens.
  9. Udfør den indledende opsætning af frekvensomformer og motor. Se den produktspecifikke programmeringsvejledning for yderligere oplysninger.

Funktionelle sikkerhedsoptioner kræver ekstra ledningsføring og parameterkonfiguration. Se den specifikke betjeningsvejledning for funktionel sikkerhed, f.eks. Safe Torque Off Betjeningsvejledning, for at få flere oplysninger om installation af sikkerhedsoptionen.

## 1.8 Brand-/nødtilstand

Når frekvensomformerens kører i brand-/nødtilstand, kan den programmeres til at ofre sig selv, så applikationerne (f.eks. ventilation eller vandpumper) fortsætter med at køre så længe som muligt.

Før aktivering af brand-/nødtilstand skal det sikres, at alle relevante parametre for motoren og applikationen er konfigureret korrekt. Danfoss anbefaler, at applikationen køres fra minimum- til maksimumhastighed og derefter bringes til et komplet stop for at kontrollere, at den fungerer korrekt uden at udløse advarsler eller alarmer på LCP-betjeningspanelet. Hvis dette trin ikke udføres, før brand-/nødtilstand aktiveres, kan det medføre, at garantien bortfalder. Se *parametergruppe 24-\*\* Applikationsfunktioner 2* i VLT-programmeringsvejledningen, eller kontakt det lokale Danfoss-kontor for at få flere oplysninger om konfiguration af brand-/nødtilstand.

## 1.9 Effekttab og effektivitet

Se <https://ecosmart.mydrive.danfoss.com> vedrørende effekttabsdata, herunder delbelastningstab.



# 1 Instalacja

## 1.1 Wykwalifikowany personel

Tylko wykwalifikowany personel może instalować, uruchamiać i konserwować przetwornice częstotliwości Danfoss. Wykwalifikowany personel to osoby przeszkolone, które znają zasady i są upoważnione do montażu i okablowania przetwornicy częstotliwości zgodnie ze stosownymi przepisami prawa. Ponadto wykwalifikowany personel musi znać instrukcje i środki bezpieczeństwa opisane w niniejszej instrukcji instalacji.

## 1.2 Symbole bezpieczeństwa

W niniejszej instrukcji używane są następujące symbole:

### NIEBEZPIECZEŃSTWO

Oznacza niebezpieczną sytuację, która, jeśli się do niej dopuści, będzie skutkować śmiercią lub poważnymi obrażeniami.

### OSTRZEŻENIE

Oznacza niebezpieczną sytuację, która, jeśli się do niej dopuści, może skutkować śmiercią lub poważnymi obrażeniami.

### OSTRZEŻENIE

Oznacza niebezpieczną sytuację, która, jeśli się do niej dopuści, może skutkować niewielkimi lub umiarkowanymi obrażeniami.

### UWAGA

Oznacza informacje traktowane jako ważne, ale niezwiązane z zagrożeniem (na przykład komunikaty dotyczące uszkodzenia mienia).

## 1.3 Środki ostrożności

### OSTRZEŻENIE



#### BRAK ŚWIADOMOŚCI BEZPIECZEŃSTWA

Przed rozpoczęciem instalacji należy zapoznać się ze wszystkimi wytycznymi i środkami ostrożności opisanymi w niniejszej instrukcji instalacji. Dodatkowe dokumenty, takie jak instrukcje obsługi konkretnego produktu, zalecenia projektowe, przewodniki programowania, a także instrukcje bezpieczeństwa funkcjonalnego, można uzyskać, skanując kod QR znajdujący się na przedniej pokrywie. Narzędzia PC i MyDrive® ecoSmart™ można pobrać ze strony [www.danfoss.com](http://www.danfoss.com).

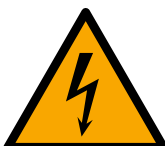
Niniejszy przewodnik zawiera ważne informacje na temat zapobiegania obrażeniom ciała i uszkodzeniom sprzętu lub systemu. Zignorowanie tej informacji może doprowadzić do śmierci, poważnych obrażeń lub poważnego uszkodzenia sprzętu.

- Upewnij się, że w pełni rozumiesz zagrożenia i środki bezpieczeństwa występujące w danym zastosowaniu.
- Przed wykonaniem jakichkolwiek prac elektrycznych na przetwornicy częstotliwości należy zablokować i oznaczyć wszystkie źródła zasilania przetwornicy częstotliwości.

 **OSTRZEŻENIE****PODNOSENIE CIĘŻKIEGO ŁADUNKU**

Przetwornica częstotliwości jest ciężka. Nieprawidłowe podnoszenie ciężkich przedmiotów może skutkować śmiercią, obrażeniami ciała lub uszkodzeniem mienia.

- Należy przestrzegać lokalnych przepisów bezpieczeństwa dotyczących podnoszenia.
- Sprawdzić ciężar przetwornicy częstotliwości. Masa znajduje się po zewnętrznej stronie opakowania transportowego.
- W przypadku korzystania ze sprzętu dźwigowego należy upewnić się, że jest on w dobrym stanie technicznym i może bezpiecznie unieść ciężar przetwornicy.
- Podnieść przetwornicę częstotliwości, aby sprawdzić, czy jej środek ciężkości jest prawidłowo ustawiony. Przesunąć punkt podnoszenia, jeśli przetwornica nie jest wypoziomowana.

 **OSTRZEŻENIE****NIEBEZPIECZNE NAPIĘCIE**

Po podłączeniu zasilania AC lub DC w przetwornicach częstotliwości występuje niebezpieczne napięcie. Wykonywanie instalacji, rozruchu i konserwacji przez osoby inne niż wykwalifikowany personel grozi śmiercią lub poważnymi obrażeniami.

- Instalację, rozruch i konserwację powinien wykonywać wyłącznie wykwalifikowany personel.

 **OSTRZEŻENIE****CZAS WYŁADOWANIA**

Przetwornica częstotliwości zawiera kondensatory obwodu pośredniego DC, które pozostają naładowane nawet po odłączeniu zasilania od przetwornicy. Wysokie napięcie może występować nawet wtedy, gdy ostrzegawcze lampki sygnalizacyjne nie świecą. Serwisowanie lub naprawy urządzenia przed upływem określonego czasu od odłączenia zasilania w razie nierozładowania kondensatorów mogą skutkować śmiercią lub poważnymi obrażeniami.

- Zatrzymać silnik
- Odłączyć wszystkie źródła zasilania, w tym silniki z magnesami trwałymi.
- Zaczekać, aż kondensatory całkowicie się wyładują. Czas wyładowania podano na tabliczce znamionowej przetwornicy częstotliwości.
- Zmierzyć poziom napięcia w celu zweryfikowania pełnego wyładowania.

**⚠ OSTRZEŻENIE****PRZYPADKOWY ROZRUCH**

Gdy przetwornica jest podłączona do zasilania AC lub podłączona do zacisków DC, silnik może uruchomić się w dowolnym momencie, powodując ryzyko śmierci, poważnych obrażeń oraz uszkodzenia sprzętu lub mienia.

- Przed skonfigurowaniem parametrów należy zatrzymać przetwornicę częstotliwości i silnik.
- Upewnić się, że przetwornica częstotliwości nie może zostać uruchomiona za pomocą przełącznika zewnętrznego, polecenia przesłanego przez magistralę komunikacyjną, sygnału wejściowego wartości zadanej z panelu sterowania lub poprzez usunięcie błędu.
- Zawsze, gdy wymaga tego bezpieczeństwa, należy odłączać napęd od sieci zasilającej, aby zapobiec przypadkowemu rozruchowi silnika.
- Upewnić się, że przetwornica częstotliwości, silnik i wszelkie urządzenia napędzane są w stanie gotowości do pracy.

**⚠ OSTRZEŻENIE****ZAGROŻENIE W PRZYPADKU WEWNĘTRZNEJ AWARII**

Wewnętrzna awaria przetwornicy częstotliwości może skutkować poważnymi obrażeniami, jeśli przetwornica częstotliwości nie jest poprawnie zamknięta.

- Przed podłączeniem zasilania należy się upewnić, że wszystkie pokrywy bezpieczeństwa znajdują się na miejscu i są dobrze przymocowane, aby nie istniało niebezpieczeństwo ich przypadkowego otwarcia.

**⚠ OSTRZEŻENIE****NIEBEZPIECZEŃSTWO PORAŻENIA PRĄDEM ELEKTRYCZNYM I POŻARU**

Przetwornica może generować prąd DC w przewodzie uziomowym. Nieużywanie wyłącznika różnicowoprądowego (RCD) typu B może spowodować, że wyłącznik różnicowoprądowy RCD nie zapewni zamierzonej ochrony, co może doprowadzić do śmierci, pożaru lub innego poważnego zagrożenia.

- Użyj wyłącznika różnicowoprądowego RCD.
- Jeżeli wyłącznik różnicowoprądowy RCD jest używany jako zabezpieczenie przed porażeniem prądem elektrycznym lub ogniem, po stronie zasilania zastosuj urządzenie typu B.

**⚠ OSTRZEŻENIE****NAPIĘCIE INDUKOWANE**

Napięcie indukowane z wyjściowych kabli silnika prowadzonych razem może spowodować naładowanie kondensatorów w sprzęcie nawet wtedy, gdy jest on wyłączony i zabezpieczony przed włączeniem.

Niepoprowadzenie wyjściowych kabli silnika osobno lub nieużycie kabli ekranowanych może skutkować śmiercią lub poważnymi obrażeniami.

- Wyjściowe kable silnika należy poprowadzić osobno lub użyć kabli ekranowanych.
- Zablokować/zabezpieczyć wszystkie przetwornice częstotliwości równocześnie.

 **OSTRZEŻENIE**
**ZAGROŻENIE PORAŻENIEM ELEKTRYCZNYM**

Z powodu pojemności rozproszonej ekranowanego kabla silnika prądy upływowe przekraczają 3,5 mA.

Niewykonanie poprawnego uziemienia przetwornicy może skutkować śmiercią lub poważnymi obrażeniami.

- Należy upewnić się, że minimalny rozmiar przewodu uziomowego jest zgodny z lokalnymi przepisami bezpieczeństwa dotyczącymi urządzeń o wysokim prądzie rażeniowym.
- Należy użyć wzmocnionego przewodu uziomowego zgodnie z normą IEC 60364-5-54 cl. 543.7 lub lokalnymi przepisami bezpieczeństwa dla urządzeń o prądzie upływowym > 3,5 mA.
- Dla wzmocnionego uziemienia:

Należy użyć przewodu uziomowego o polu przekroju poprzecznego co najmniej 10 mm<sup>2</sup> (8 AWG) Cu lub 16 mm<sup>2</sup> (6 AWG) Al lub dodatkowego przewodu uziomowego o takim samym przekroju poprzecznym jak oryginalny przewód uziomowy określony przez IEC 60364-5-54, o minimalnym przekroju poprzecznym 2,5 mm<sup>2</sup> (14 AWG) z zabezpieczeniem mechanicznym lub 4 mm<sup>2</sup> (12 AWG) bez zabezpieczenia mechanicznego.

Należy użyć przewodu uziomowego wewnątrz obudowy lub w inny sposób zabezpieczonego na całej jej długości przed uszkodzeniami mechanicznymi.

Należy użyć przewodu uziomowego, który jest częścią wielożyłowego kabla zasilającego o minimalnym przekroju poprzecznym przewodu PE 2,5 mm<sup>2</sup> (14 AWG) podłączonego na stałe lub podłączonego za pomocą złącza przemysłowego. Przewód zasilający wielożyłowy należy zamontować z odpowiednim zabezpieczeniem wtyku.

 **OSTRZEŻENIE**
**IZOLACJA TERMISTORA**

Istnieje ryzyko wystąpienia obrażeń ciała lub uszkodzeń sprzętu.

- Aby zapewnić zgodność z wymaganiami izolacji PELV, należy używać tylko termistorów ze wzmocnioną lub podwójną izolacją.

**UWAGA****NADMIERNA TEMPERATURA I USZKODZENIE MIENIA**

Nadmierne natężenie prądu (przetężenie) może generować nadmierne ciepło wewnątrz przetwornicy częstotliwości. Brak ochrony przed przetężeniem może spowodować ryzyko pożaru i uszkodzenia mienia.

- W przypadku aplikacji wykorzystujących wiele silników wymagane jest stosowanie dodatkowych urządzeń ochronnych, takich jak zabezpieczenie przeciwzwarciowe lub zabezpieczenie termiczne silnika, umieszczanych pomiędzy przetwornicą a silnikiem.
- Zabezpieczenie przed zwarciami i ochrona przed przetężeniem wymagają zabezpieczenia wejścia przy użyciu bezpieczników. W przypadku braku fabrycznych bezpieczników musi je zapewnić instalator. W celu uzyskania informacji dotyczących specyfikacji bezpieczników zachęcamy do zapoznania się z dokumentacją danego produktu.

**UWAGA****USZKODZENIE MIENIA**

Zabezpieczenie silnika przed przeciążeniem jest domyślnie nieaktywne. Nieustawienie funkcji ETR oznacza, że zabezpieczenie silnika przed przeciążeniem nie jest zapewnione i w razie przegrzania silnika może dojść do uszkodzenia mienia.

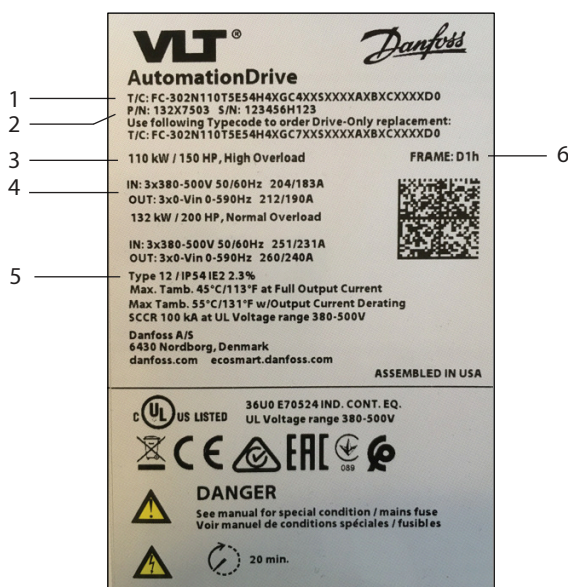
- Aby zapewnić klasę 20 zabezpieczenia silnika przed przeciążeniem, należy włączyć funkcję ETR. Więcej informacji znajduje się w Przewodniku programowania.

## 1.4 Wymagane narzędzia

- Przyrząd do podnoszenia
- Miarka
- Wiertarka z różnymi wiertłami
- Wkrętaki (Torx, Phillips, płaskie)
- Klucz nasadowy 7-17 mm
- Końcówki nasadowe
- Przebijak do blachy i/lub szczypce
- Zaciskarka do przewodów

## 1.5 Weryfikacja przesyłki i jej zawartości

Należy sprawdzić, czy dostarczone elementy oraz informacje na etykiecie produktu odpowiadają zamówieniu. Etykieta produktu znajduje się na zewnętrznej stronie przetwornicy częstotliwości.



e30bb076.10

Polski

Rysunek 1: Przykładowa etykieta produktu

1	Kod typu	2	Numer katalogowy i numer seryjny
3	Moc znamionowa	4	Napięcie wejściowe/wyjściowe, częstotliwość oraz prąd
5	Klasa ochrony obudowy	6	Rozmiar obudowy

## 1.6 Instalacja zgodna z wymogami kompatybilności elektromagnetycznej (EMC)

Więcej informacji znajduje się w instrukcji obsługi lub zaleceniach projektowych.

- Używać kabli ekranowanych do okablowania wyjścia silnikowego z przetwornicy (dopuszczalne są kable nieekranowane w metalowych kanałach kablowych), hamulca, DC i sterowania.
- Kable silnika, hamulca i DC powinny być jak najkrótsze, aby ograniczyć poziom zakłóceń z całego systemu. Należy pozostawić co najmniej 200 mm (7,9 cala) odstęp między przewodami zasilania, silnika i sterowniczymi.

- Użyć metalowej płyty montażowej i odpowiednich zacisków EMC do odprowadzenia prądów z powrotem do przetwornicy częstotliwości. Należy zapewnić dobry styk elektryczny między płytą montażową a ramą metalową obudowy poprzez wkręty montażowe.
- Jeśli punkty połączeń ekranu mają różnicę potencjałów napięcia, podłączyć przewód wyrównawczy o niskiej impedancji równoległe do kabla ekranowanego.
- W przypadku używania ekranu dla przekaźników, przewodów sterowniczych, interfejsu sygnałowego, magistrali komunikacyjnej lub hamulca obie końcówki ekranu należy podłączyć do obudowy. Jeśli przewód uziemienia ma wysoką impedancję, jest szumiący lub przenosi prąd, należy przerwać połączenie ekranu na jednym końcu, aby uniknąć pętli prądu uziemienia.

## 1.7 Montaż przetwornicy

### OSTRZEŻENIE



#### RYZIKO PORAŻENIA PRĄDEM

Dotknięcie odsłoniętej wtyczki lub zacisku silnika, zasilania lub szyny DC może skutkować śmiercią lub doznaniem poważnych obrażeń ciała.

- W celu zapewnienia klasy ochrony IP20 wszystkie wtyczki i osłony zacisków silnika, zasilania i DC muszą pozostawać zainstalowane wewnątrz obudowy IP20. Brak zainstalowanych wtyczki i osłon zacisków będzie równoznaczny z klasą ochrony IP00.

**Lokalizacja instalacji jest ważna.** Praca ze znamionowym prądem wyjściowym jest możliwa jedynie wówczas, gdy spełnione są poniższe warunki instalacji. W przypadku temperatur i wysokości poza tym zakresem należy zapoznać się z rozdziałami Obniżanie wartości znamionowych w zaleceniach projektowych konkretnego produktu.

- Maksymalna temperatura otoczenia: 45°C (113°F) średnio przez 24 godziny oraz 50°C (122°F) przez 1 godzinę.
  - Minimalna temperatura otoczenia: 0°C (32°F).
  - Wysokość < 1000 m (3280 stóp) n.p.m.
1. Określić rozmiar obudowy. Patrz ilustracja 1.
  2. Korzystając z kodu typu, określ wszystkie opcje, które wymagają dodatkowego okablowania oraz konfiguracji. Patrz krok 1 na rysunkach.

Zeskanowanie kodu QR na okładce otwiera stronę wyszukiwania dokumentacji. Użyj numeru opcji, aby wyszukać powiązaną dokumentację. Na przykład za pomocą MCA 120 można wyszukać dokumentację VLT® PROFINET MCA 120.

3. Upewnić się, że środowisko pracy oraz instalacja elektryczna są zgodne z następującymi normami.
  - a. Wewnątrz budynku, bez klimatyzacji/stożenie zanieczyszczenia 2.
  - b. Kategoria przepięcia 3.
4. Zapoznać się ze schematem elektrycznym. Patrz krok 2 na rysunkach.

Całe okablowanie musi być zgodne z międzynarodowymi oraz lokalnymi przepisami dotyczącymi przekrojów poprzecznych kabli oraz temperatury otoczenia. Luźne połączenia mogą spowodować usterkę urządzenia lub obniżenie wydajności. Dokręcić zaciski zgodnie z wartością momentu obrotowego podaną w punkcie 9 na rysunkach.

5. Sprawdź specyfikacje bezpieczników. Patrz krok 3 na rysunkach.

Przetwornicę częstotliwości można stosować w obwodzie zdolnym dostarczać maksymalnie 100 kA wartości znamionowej prądu zwarciovego (SCCR) przy 480/600 V. Parametry znamionowe wyłączników automatycznych i wyłączników SCCR podano w zaleceniach projektowych konkretnego produktu.

6. Sprawdź specyfikacje kabli zasilających. Patrz krok 4 na rysunkach.

Należy używać przewodu miedzianego o wartości znamionowej co najmniej 70°C (158°F). Przewody aluminiowe — patrz zalecenia projektowe konkretnego produktu.

7. Zainstalować przetwornicę częstotliwości, wykonując czynności opisane numerami w rozdziale Ilustracje. Niektóre ilustracje odnoszą się do konkretnych rozmiarów obudów i są odpowiednio oznaczone.
  - a. Przymocować elementy torby z wyposażeniem dodatkowym do przetwornicy (krok 5).
  - b. Przetwornicę częstotliwości należy zamontować do lub na solidnej, niepalnej powierzchni montażowej, takiej jak beton lub metal (krok 6). Zapewnić odpowiednie chłodzenie, zostawiając minimalny odstęp nad i pod przetwornicą częstotliwości.

D3h-D4h są montowane na ścianie, D1h-D2h i D5h-D6h są montowane na ścianie lub na podłodze, D7h-D8h są montowane na podłodze.
  - c. Wykonać otwory w płycie wejściowej kabli (krok 7).
  - d. Zamontować okablowanie sterowania (krok 8).
  - e. Zainstalować okablowanie silnika, zasilania i uziemienia (krok 9).
  - f. Poprowadzić przewody sterownicze w kierunku lewej strony przetwornicy częstotliwości.
8. Dokładnie przymocować osłonę do przetwornicy.
9. Przeprowadzić wstępną konfigurację przetwornicy oraz silnika. Dodatkowe informacje można znaleźć w przewodniku programowania dla konkretnego produktu.

Opcje bezpieczeństwa funkcjonalnego wymagają dodatkowego okablowania oraz konfiguracji parametrów. Więcej informacji na temat instalacji opcji bezpieczeństwa zawiera np. Instrukcja obsługi funkcji Safe Torque Off.

## 1.8 Tryb pożarowy/awaryjny

Przetwornicę częstotliwości można zaprogramować tak, aby podczas pracy w trybie pożarowym/awaryjnym działała samoczynnie, tak aby aplikacje (np. wentylacja lub pompy wodne) kontynuowały pracę tak długo, jak to możliwe.

Przed aktywowaniem trybu pożarowego/awaryjnego należy upewnić się, że wszystkie istotne parametry silnika i aplikacji są prawidłowo skonfigurowane. Danfoss zaleca uruchomienie aplikacji z prędkością minimalną, zwiększenie prędkości do maksymalnej, a następnie całkowite zatrzymanie aplikacji w celu sprawdzenia, czy działa prawidłowo bez wyzwalania jakichkolwiek ostrzeżeń lub alarmów na lokalnym panelu sterowania. Niewykonanie tego kroku przed włączeniem trybu pożarowego/awaryjnego może spowodować utratę gwarancji. Więcej instrukcji dotyczących konfiguracji trybu pożarowego/awaryjnego można znaleźć w **Grupie parametrów 24-\*\* Funkcje aplikacji 2** w Przewodniku programowania VLT lub kontaktując się z lokalnym oddziałem Danfoss.

## 1.9 Straty mocy i wydajność

Dane dotyczące strat mocy, w tym strat przy obciążeniu częściowym, można znaleźć na stronie <https://ecosmart.mydrive.danfoss.com>.

# 1 Installation

## 1.1 Behörig personal

Endast behörig personal får installera, driftsätta och använda den här utrustningen. Behörig personal är personer som har utbildning i och behörighet att montera och ansluta frekvensomriktaren i enlighet med gällande lagar och bestämmelser. Behörig personal måste även vara införstådd med de instruktioner och säkerhetsåtgärder som beskrivs i den här installationsguiden.

## 1.2 Säkerhetssymboler

Följande symboler används i denna handbok:



Indikerar en farlig situation som leder till dödsfall eller allvarliga personskador om den inte undviks.



Indikerar en farlig situation som kan leda till dödsfall eller allvarliga personskador om den inte undviks.



Indikerar en farlig situation som kan leda till lindriga eller måttliga personskador om den inte undviks.

**OBS!**

Indikerar viktig information som inte är riskrelaterad (till exempel meddelanden om materialskador).

## 1.3 Säkerhetsåtgärder



### BRIST PÅ SÄKERHETSMEDVETENHET

Innan du påbörjar installationen måste du läsa igenom alla säkerhetsföreskrifter och försiktighetsåtgärder i den här installationsguiden. Ytterligare dokumentation, som produktspecifik handbok, Design Guide och programmeringshandbok, samt säkerhetshandböcker för funktioner kan du komma åt genom att läsa av QR-koden på framsidan. Datorverktyg och MyDrive® ecoSmart™ kan laddas ned från [www.danfoss.com](http://www.danfoss.com).

Denna guide innehåller viktig information om hur man förebygger personskador och skador på utrustningen eller systemet. Om denna information ignoreras kan det leda till dödsfall, allvarliga personskador eller allvarliga skador på utrustningen.

- Säkerställ att alla faror och säkerhetsåtgärder som är kopplade till tillämpningen har förståtts fullt ut.
- Innan något elektriskt arbete utförs på frekvensomriktaren ska alla strömkällor till frekvensomriktaren låsas och märkas.



 **VARNING****LYFT AV TUNG LAST**

Frekvensomriktaren är tung. Om tunga föremål lyfts på ett felaktigt sätt kan det leda till dödsfall, personskador eller egendomsskador.

- Följ lokala säkerhetsföreskrifter för lyftning.
- Kontrollera frekvensomriktarens vikt. Vikten anges på utsidan av transportlådan.
- Om lyftutrustning används, se till att den är i gott skick och kan lyfta omriktarens vikt på ett säkert sätt.
- Testa att lyfta frekvensomriktaren för att verifiera korrekt tyngdpunkt. Ompositionera lyftpunkten om den inte hålls rak.

 **VARNING****FARLIG SPÄNNING**

Omformare innehåller hög spänning när de är anslutna till växelströms- eller likströmsnätet. Om installation, start och underhåll inte utförs av behörig personal kan det leda till dödsfall eller allvarliga personskador.

- Endast behörig personal får utföra installation, start och underhåll.

 **VARNING****URLADDNINGSTID**

Frekvensomriktaren har DC-busskondensatorer som kan behålla sin spänning även när frekvensomriktaren inte matas med spänning. Hög spänning kan finnas kvar även om varningslamporna är släckta. Om du inte väntar den angivna tiden efter att strömmen bryts innan underhålls- eller reparationsarbete utförs, kan det leda till dödsfall eller allvarliga personskador.

- Stanna motorn
- Koppla från alla strömkällor, inklusive motorer av permanentmagnettyp.
- Vänta tills kondensatorerna laddats ur. Urladdningstiden visas på frekvensomformarens märkskylt.
- Mät spänningsnivån för att verifiera full urladdning.

 **VARNING****OAVSIKTLIG START**

När frekvensomriktaren är ansluten till växelströmsnätet eller till likströmsplintarna kan motorn starta när som helst vilket medför risk för dödsfall, allvarliga personskador eller materiella skador.

- Stoppa frekvensomriktaren och motorn innan du konfigurerar parametrar.
- Säkerställ att frekvensomriktaren inte kan startas med en extern brytare, ett fältbuss-kommando, en ingångsreferenssignal från manöverpanelen eller efter ett uppkärlat feltillstånd.
- Bryt nätspänningen när det av säkerhetsskäl är viktigt att enheten inte startas av misstag.
- Kontrollera att frekvensomriktaren, motorn och annan utrustning är klar för drift.

 **FÖRSIKTIGHET**
**FARA VID INTERNT FEL**

Ett internt fel leda till allvarliga personskador om enheten inte stängs ordentligt.

- Innan du kopplar på strömmen ska du säkerställa att alla skyddskåpor sitter på plats och är säkrade.

 **VARNING**
**RISK FÖR ELSTÖT OCH BRAND**

Frekvensomriktaren kan ge upphov till likström i jordledaren. Underlåtenhet att använda en jordfelsbrytare av typ B kan leda till att jordfelsbrytaren inte ger avsett skydd, vilket kan resultera i dödsfall, brand eller annan allvarlig fara.

- Använd en jordfelsbrytare.
- När jordfelsbrytare används som skydd mot elstötar eller brand ska endast enheter av typ B användas på försörjningssidan.

 **VARNING**
**INDUCERAD SPÄNNING**

Inducerad spänning från utgående motorkablar som är dragna tillsammans kan ladda upp utrustningens kondensatorer, även om utrustningen är avstängd och låst/märkt. Om du inte använder skärmade motorkablar eller drar motorkablarna separat, kan det leda till dödsfall eller allvarliga personskador.

- Dra utgående motorkablar separat, eller använd skärmade kablar.
- Lås och märk alla frekvensomriktare samtidigt.

 **VARNING**
**RISK FÖR ELEKTRISKA STÖTAR**

På grund av den skärmade motorkabelns strökapacitans överstiger läckströmmen 3,5 mA. Om jordningen av frekvensomriktaren inte genomförs korrekt kan det leda till dödsfall eller allvarliga personskador.

- Säkerställ att skyddsjordledarens minimistorlek överensstämmer med lokala säkerhetsföreskrifter för utrustning med hög beröringsström.
- Använd en förstärkt skyddsjordledare i enlighet med IEC 60364-5-54 cl. 543.7 eller lokala säkerhetsföreskrifter för utrustning med läckström >3,5 mA.
- För förstärkt jordning:

Använd en skyddsjordledare med ett tvärsnitt på minst 10 mm<sup>2</sup> (8 AWG) Cu eller 16 mm<sup>2</sup> (6 AWG) Al, eller en extra jordledare med samma tvärsnittsarea som den ursprungliga jordledaren i enlighet med IEC 60364-5-54, med en minsta tvärsnittsarea på 2,5 mm<sup>2</sup> (14 AWG) med mekaniskt skydd eller 4 mm<sup>2</sup> (12 AWG) utan mekaniskt skydd.

Använd en skyddsjordledare inne i en kapsling eller skydda den på annat sätt genom hela dess längd mot mekanisk skada.

Använd en skyddsjordledare som är en del av en flerledarkraftkabel med en skyddsjordledare med en minsta tvärsnittsarea på 2,5 mm<sup>2</sup> (14 AWG) och som är permanent ansluten eller ansluten med en industriell kontakt. Flerledarkraftkabeln måste installeras med lämplig dragavlastning.

**⚠ FÖRSIKTIGHET****TERMISTORISOLERING**

Risk för personskador eller materiella skador.

- För att möta isoleringskraven för PELV ska endast termistorer med förstärkt eller dubbel isolering användas.

**OBS!****ÖVERDRIVEN VÄRME OCH SKADA PÅ EGENDOM**

Överström kan generera hög värme i frekvensomriktaren. Underlåtenhet att tillhandahålla överströmsskydd kan leda till brandrisk och skador på egendom.

- Ytterligare skyddsutrustning som till exempel kortslutningsskydd eller termiskt motorskydd mellan frekvensomformaren och motorn, krävs för tillämpningar med flera motorer.
- Ingångssäkringar krävs för skydd mot kortslutning och överströmsskydd. Om säkringarna inte fabriksmonteras måste de tillhandahållas av installatören. Se den produktspecifika dokumentationen för specifikationer av säkringar.

**OBS!****MATERIALSKADA**

Som standard är skyddet mot motoröverbelastning inte aktivt. Om ETR-funktionen inte ställs in finns inget överbelastningsskydd för motorn, vilket kan leda till materiella skador om motorn blir överhettad.

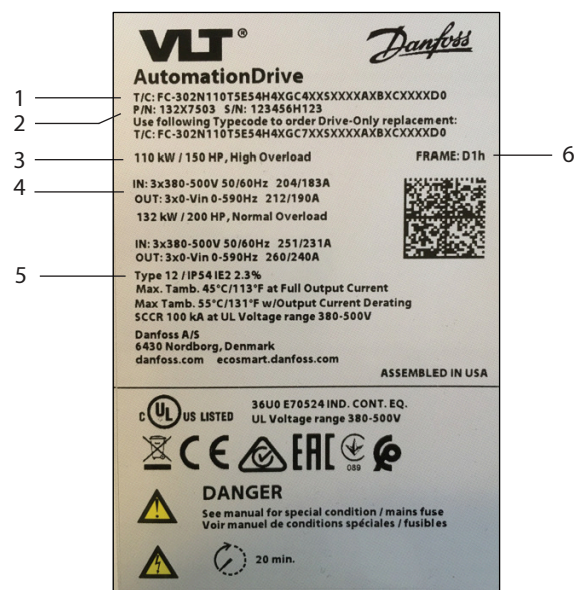
- Aktivera ETR-funktionen för överbelastningsskydd klass 20 för motorn. Mer information finns i programmeringshandboken.

## 1.4 Verktyg som behövs

- Lyfthjälpmedel
- Måttband
- Borr med olika bits
- Skruvmejslar (Torx, Phillips, spårskruvmejsel)
- Skiftnyckel med hylsor på 7–17 mm
- Hylsförlängningar
- Plåtstans och/eller tång
- Crimptång

## 1.5 Verifiera leveransen och innehållet

Verifiera att de levererade artiklarna och informationen på produktetiketten överensstämmer med ordern. Produktetiketten sitter på omriktarens utsida.



e30bb076.10

Bild 1: Exempel på produktetikett

1	Typkod	2	Artikelnummer och serienummer
3	Märkeffekt	4	Inspänning/utspänning, frekvens och strömstyrka
5	Kapslingsens skyddsklassificering	6	Kapslingsstorlek

## 1.6 EMC-korrekt installation

Mer information finns i driftshandboken eller designguiden.

- Använd skärmade kablar för motoreffekt-, (oskärmad kabel i skyddsror av metall är acceptabelt), broms-, likströms- och styrkablar.
- Säkerställ att motor-, broms- och likströmskablar är så korta som möjligt för att störningsnivån från hela systemet ska minskas. Ett avstånd på minst 200 mm (7,9 tum) måste finnas mellan nätingång, motorkablar och styrkablar.
- Skicka strömmen tillbaka till frekvensomriktaren med hjälp av en monteringsplatta av metall samt lämpliga EMC-förbindningsklämmor. Säkerställ god elektrisk kontakt från monteringsplattan via monteringskruvarna till kapslingens metallchassi.
- Om anslutningspunkterna för skärmen har en spänningspotentialskillnad ska en ledning för utjämning med låg impedans anslutas parallellt med den skärmade kabeln.
- Vid användning av reläer, styrkablar, ett signalgränssnitt, fältbuss eller broms ska skärmen anslutas till kapslingen vid båda ändar. Om jorddragningen har hög impedans, låter mycket eller matar ström ska skärmanlutningen brytas i en ände för att jordströmsslingor ska undvikas.

## 1.7 Installera frekvensomriktaren

 **VARNING**
**RISK FÖR ELSTÖT**

Om man vidrör en oskyddad motor-, nät- eller likströmsanslutningskontakt eller -plint kan dödsfall eller allvarliga personskador inträffa.

- Alla kontakter och plintskydd för motor-, nät- och likströmsanslutningar måste installeras i IP20-kapslingen för att IP20-skyddsklassificering ska tillhandahållas. Om kontakt- och plintskydd inte är installerade betraktas skyddsklassificeringen som IP00.

**Installationsplatsen är viktig.** Full utström är tillgänglig när följande installationsvillkor är uppfyllda: För temperaturer och höjder utanför detta intervall, läs avsnitten om nedstämpling i den produktspecifika designguiden.

- Maximal omgivningstemperatur: 45 °C (113 °F) i genomsnitt under 24 timmar och 50 °C (122 °F) under en timme.
  - Lägsta omgivande temperatur: 0 °C (32 °F).
  - Höjd över havet <1 000 m (3 280 fot).
1. Identifiera kapslingsstorleken. Se bild 1.
  2. Använd typkoden för att identifiera eventuella tillval som kräver extra kabeldragning och inställning. Se steg 1 i avsnittet Bilder.

När du läser av QR-koden på omslaget öppnas sidan för dokumentationssökning. Använd tillvalsnumret för att söka efter relaterad dokumentation. Använd till exempel MCA 120 för att söka efter dokumentation för VLT® PROFINET MCA 120.

3. Kontrollera att driftmiljön och den elektriska installationen uppfyller följande standarder.
  - a. Föreningar inomhus/föreningensgrad 2.
  - b. Överspänningskategori III.
4. Granska kopplingsschemat. Se steg 2 i avsnittet Bilder.

Alla kablar måste uppfylla nationella och lokala krav på ledarareor och omgivningstemperaturer. Lösa kopplingar kan orsaka utrustningsfel eller försämrade prestanda. Dra åt plintarna enligt det moment som anges i steg 9 i avsnittet Bilder.

5. Granska säkringsspecifikationerna. Se steg 3 i avsnittet Bilder.

Frekvensomriktaren kan användas i en krets med kapacitet att leverera upp till 100 kA kortslutningsström (SCCR) vid 480/600 V. Mer information om skyddsbrytare och SCCR-klassificeringar finns i den produktspecifika designguiden.

6. Granska specifikationerna för kraftkabeln. Se steg 4 i avsnittet Bilder.

Använd kabel med kopparledare med en klassificering på minst 70 °C (158 °F). För kabel med aluminiumledare, se den produktspecifika designguiden.

7. Installera frekvensomriktaren enligt de numrerade stegen i avsnittet Bilder. Vissa bilder/steg avser specifika kapslingsstorlekar vilket tydligt framgår.
  - a. Montera tillbehörspåsens delar på frekvensomriktaren (steg 5).
  - b. Montera frekvensomriktaren på eller mot en solid, icke brännbar monteringsyta som betong eller metall (steg 6). Se till att kylningen är korrekt genom att säkerställa att det finns ett minsta avstånd ovanför och under frekvensomriktaren.

D3h-D4h är väggmonterad, D1h-D2h och D5h-D6h är vägg- eller golvmonterade och D7h-D8h är golvmonterad.

- c. Gör hål i kabelgenomföringsplåten (steg 7).
- d. Installera styrkablarna (steg 8).

- e. Installera motor- och nätkablarna och jordanslutningarna (steg 9).
- f. Dra styrkablarna mot omriktarens vänstra sida.
8. Fäst kåpan ordentligt på frekvensomriktaren.
9. Utför inledande inställning av frekvensomriktare och motor. Se den produktspecifika programmeringshandboken.

Funktionella säkerhetstillval kräver extra kabeldragning och parameterkonfigurering. Mer information om hur du installerar säkerhetstillvalet finns i den specifika funktionssäkerhetshandboken, till exempel handboken för Safe Torque Off.

## 1.8 Brandfunktion/nödläge

När frekvensomriktaren körs i brandfunktion/nödläge kan den programmeras att "offra" sig själv så att tillämpningarna (t.ex. ventilation eller vattenpumpar) fortsätter att fungera så länge som möjligt.

Kontrollera att alla relevanta parametrar för motorn och applikationen är korrekt konfigurerade innan brandfunktionen/nödläget aktiveras. Danfoss rekommenderar att applikationen körs från lägsta till högsta varvtal och sedan stoppas helt för att man ska kunna verifiera att den fungerar korrekt utan att några varningar eller larm utlöses på den lokala manöverpanelen. Om detta steg inte utförs innan brandfunktionen/nödläget aktiveras kan det leda till att garantin upphöra att gälla. Mer information om konfigurering av brandfunktion/nödläge finns i **parametergrupp 24-\*\*\* Applikationsfunktioner 2** i VLT-programmeringshandboken. Du kan även kontakta ditt lokala Danfoss-kontor för mer information.

## 1.9 Effektförluster och effektivitet

För information om effektförluster, inklusive förluster vid delbelastning, se <https://ecosmart.mydrive.danfoss.com>.

# 1 Namestitev

## 1.1 Ustrezno usposobljeno osebje

Frekvenčne pretvornike Danfoss lahko namesti, parametrira in vzdržuje samo ustrezno usposobljeno osebje. Ustrezno usposobljeno osebje pomeni usposobljene posameznike, ki so seznanjeni z montažo ter so pooblaščen za montažo in povezovanje frekvenčnega pretvornika v skladu z ustreznimi zakoni in predpisi. Poleg tega mora biti ustrezno usposobljeno osebje seznanjeno z navodili in varnostnimi ukrepi, opisanimi v tem namestitvenem priročniku.

## 1.2 Varnostni simboli

V teh navodilih so uporabljeni naslednji simboli:

### NEVARNOST

Označuje nevarno situacijo, ki bo povzročila smrt ali resne telesne poškodbe, če se ji ne izognete.

### OPOZORILO

Označuje nevarno situacijo, ki lahko povzroči smrt ali resne telesne poškodbe, če se ji ne izognete.

### PREVIDNO

Označuje nevarno situacijo, ki lahko povzroči lažjo ali zmerno telesno poškodbo, če se ji ne izognete.

### OBVESTILO

Označuje informacije, ki veljajo za pomembne, vendar niso povezane z nevarnostmi (na primer sporočila v zvezi z materialno škodo).

## 1.3 Varnostni ukrepi

### OPOZORILO



#### POMANJKANJE ZAVEDANJA O VARNOSTI

Pred namestitvijo preberite vse varnostne smernice in varnostne ukrepe v tem namestitvenem priročniku. Za dostop do dodatne dokumentacije, kot so navodila za uporabo specifičnega izdelka, navodila za projektiranje in priročnik za programiranje pa tudi funkcionalni varnostni priročniki, lahko optično preberete kodo QR na naslovnici. Orodja za PC in MyDrive® ecoSmart™ lahko prenesete s spletne strani [www.danfoss.com](http://www.danfoss.com).

V tem priročniku so pomembne informacije o preprečevanju poškodb in škode opreme ali sistema. Neupoštevanje teh informacij lahko vodi v smrt, resne telesne poškodbe ali resne poškodbe opreme.

- Prepričajte se, da v celoti razumete nevarnosti in varnostne ukrepe pri uporabi izdelka.
- Pred izvajanjem kakršnih koli električnih del na frekvenčnem pretvorniku zaklenite in označite vse vire napetosti na frekvenčnem pretvorniku.

**! OPOZORILO****DVIGOVANJE TEŽKIH BREMEN**

Frekvenčni pretvornik je težak. Nepravilno dviganje težkih predmetov lahko privede do smrti, telesnih poškodb ali materialne škode.

- Upoštevajte lokalne varnostne predpise za dvigovanje.
- Preverite težo frekvenčnega pretvornika. Teža je zapisana na zunanji strani škatle za pošiljanje.
- Če uporabljate opremo za dvigovanje, se prepričajte, da je ta v ustreznem delovnem stanju in lahko varno dvigne frekvenčni pretvornik.
- Poskusno dvignite frekvenčni pretvornik, da preverite ustrezen težiščni položaj. Če dvizna točka ni vodoravna, jo ponovno namestite.

**! OPOZORILO****NEVARNA NAPETOST**

Frekvenčni pretvorniki so pod nevarno napetostjo, ko so priključeni v napajanje AC ali DC. Če namestitve, zagona in vzdrževanja ne opravi ustrezno usposobljeno osebje, lahko pride do smrti ali resne poškodbe.

- Namestitvev, zagon in vzdrževanje lahko izvaja samo ustrezno usposobljeno osebje.

**! OPOZORILO****ČAS RAZELEKTRITVE**

Frekvenčni pretvornik vsebuje kondenzatorje z DC-členom, ki lahko ostanejo pod napetostjo tudi po izključitvi frekvenčnega pretvornika. Visoka napetost je lahko prisotna, tudi če so opozorilne lučke izključene. Če pred servisiranjem ali popravili ne počakate, da se kondenzatorji povsem izpraznijo, lahko to povzroči smrt ali resne poškodbe.

- Zaustavite motor.
- Odklopite vse vire napajanja, vključno z motorji s trajnim magnetom.
- Počakajte, da se kondenzatorji popolnoma razelektrijo. Čas razelektritve je prikazan na napisni ploščici.
- Izmerite nivo napetosti, da preverite popolno razelektritev.

**! OPOZORILO****NEŽELENI START**

Ko je frekvenčni pretvornik povezan v izmenično omrežno napajanje ali s sponkami DC, se motor lahko kadar koli zažene, zaradi česar lahko pride do smrti, resnih telesnih poškodb in poškodb opreme ali lastnine.

- Pred konfiguracijo parametrov ustavite frekvenčni pretvornik in motor.
- Prepričajte se, da se frekvenčni pretvornik ne more zagnati z zunanjim stikalom, ukazom prek komunikacijskega vodila, vhodnim referenčnim signalom iz krmilne plošče ali po odpravljeni napaki.
- Frekvenčni pretvornik izključite iz električnega omrežja vedno, kadar je to potrebno za zagotavljanje varnosti zaradi nevarnosti neželenega zagona motorja.
- Preverite, ali so frekvenčni pretvornik, motor in vsa gnana oprema v pripravljenosti za delovanje.



 **PREVIDNO**
**NEVARNOST NOTRANJE OKVARE**

Če frekvenčni pretvornik ni ustrezno zaprt, lahko notranja okvara frekvenčnega pretvornika povzroči resne poškodbe.

- Pred vklopom napajanja zagotovite, da so vsi varnostni pokrovi pravilno nameščeni in pritrjeni.

 **OPOZORILO**
**NEVARNOST ELEKTRIČNEGA UDARA IN POŽARA**

Frekvenčni pretvornik lahko povzroči enosmerni tok v ozemljitvenem prevodniku. Če ne uporabite zaščitne naprave na preostali tok tipa B (RCD), se lahko zgodi, da RCD ne zagotovi predvidene zaščite, kar lahko privede do smrti, požara ali druge resne nevarnosti.

- Uporabite napravo RCD.
- Če se RCD uporablja za zaščito pred električnim udarom ali požarom, na napajalni strani uporabite le napravo tipa B.

 **OPOZORILO**
**INDUCIRANA NAPETOST**

Inducirana napetost iz izhodnih, skupaj napeljanih kablov motorja lahko napaja kondenzatorje opreme, tudi če je oprema izklopljena in zaklenjena/označena. Če izhodnih kablov motorja ne napeljete ločeno ali ne uporabite oklopljenih kablov, obstaja nevarnost resne telesne poškodbe ali celo smrti.

- Izhodne kable motorja napeljite ločeno ali uporabite oklopljene kable.
- Hkrati zaklenite/označite vse frekvenčne pretvornike.

 **OPOZORILO**
**NEVARNOST ELEKTRIČNEGA UDARA**

Zaradi odstopne kapacitete oklopljenih kablov motorja uhajavi tok presega 3,5 mA. Neustrezna ozemljitev frekvenčnega pretvornika lahko povzroči smrt ali resne telesne poškodbe.

- Zagotovite, da najmanjša velikost ozemljitvenega prevodnika ustreza lokalnim varnostnim predpisom za opremo, ki ima ob dotiku visok tok.
- Uporabite ojačan ozemljitveni prevodnik v skladu z IEC 60364-5-54 cl. 543.7 ali lokalnimi varnostnimi predpisi za opremo z uhajavim tokom > 3,5 mA.
- Za ojačano ozemljitev:

Uporabite ozemljitveni prevodnik s presekom vsaj 10 mm<sup>2</sup> (8 AWG) Cu ali 16 mm<sup>2</sup> (6 AWG) Al ali dodaten ozemljitveni prevodnik z enakim presečnim območjem kot originalni ozemljitveni prevodnik, kot je določeno s standardom IEC 60364-5-54, z najmanjšim presečnim območjem 2,5 mm<sup>2</sup> (14 AWG) z mehansko zaščito ali 4 mm<sup>2</sup> (12 AWG) brez mehanske zaščite.

Ozemljitveni prevodnik uporabite v ohišju ali ga po dolžini drugače zaščitite pred mehanskimi poškodbami.

Uporabite ozemljitveni prevodnik, ki je del večprevodnega napajalnega kabla z najmanjšim presekom prevodnika PE 2,5 mm<sup>2</sup> (14 AWG), ki je stalno povezan ali priklopljen z industrijskim priključkom. Večprevodni napajalni kabel mora biti nameščen s primerno sprostivijo pritiska.

 **PREVIDNO**
**IZOLACIJA TERMISTORJA**

Tveganje telesne poškodbe ali poškodbe opreme.

- Za izpolnjevanje zahtev PELV za izolacijo uporabljajte le termistorje z ojačano ali dvojno izolacijo.

**OBVESTILO****PREVISOKA TEMPERATURA IN MATERIALNA ŠKODA**

V frekvenčnem pretvorniku lahko prevelik tok ustvarja previsoko temperaturo. Če ni zagotovljene zaščite pred prevelikim tokom, lahko pride do požara ali materialne škode.

- Pri aplikacijah z več motorji so potrebne dodatne zaščitne naprave, npr. kratkostična zaščita ali termična zaščita motorja med frekvenčnim pretvornikom in motorjem.
- Za kratkostično zaščito in zaščito pred prevelikim tokom potrebujete vhodne varovalke. Če varovalke niso tovarniško priložene, jih mora zagotoviti inštalater. Za tehnične podatke varovalk glejte dokumentacijo izdelka.

**OBVESTILO****POŠKODBA LASTNINE**

Zaščita pred preobremenitvijo motorja ni privzeto aktivirana. Če ne nastavite funkcije ETR, pomeni, da zaščita motorja pred obremenitvijo ni zagotovljena, in lahko pride do materialne škode, če se motor pregreje.

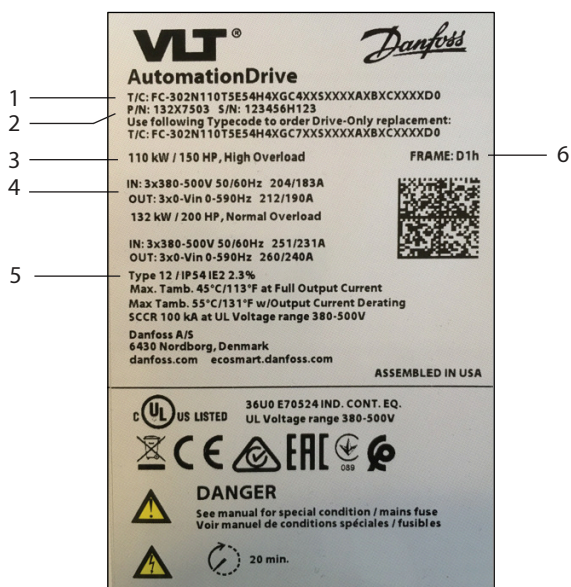
- Če želite zagotoviti zaščito pred preobremenitvijo motorja razreda 20, omogočite funkcijo ETR. Za več informacij glejte priročnik za programiranje.

**1.4 Potrebna orodja**

- Pripomoček za dviganje
- Merilni trak
- Vrtalnik z izborom nastavkov
- Izvijači (torx, križni, ploščati)
- Ključ z nastavki (7–17 mm)
- Podaljški nastavkov
- Luknjalniki za kovino in/ali klešče
- Klešče za stiskanje žice

**1.5 Preverjanje pošiljke in njene vsebine**

Prepričajte se, da se dobavljeni predmeti in informacije na oznaki izdelka ujemajo z naročilom. Oznaka izdelka je na zunanji strani frekvenčnega pretvornika.



e30bb076.10

Slika 1: Primer oznake izdelka

1	Koda tipa	2	Številka dela in serijska številka
3	Nazivna moč	4	Vhodna/izhodna napetost, frekvenca in tok
5	Stopnja zaščite ohišja	6	Velikost ohišja

## 1.6 Namestitev, ki je skladna z EMC

Za več informacij glejte navodila za uporabo ali navodila za projektiranje specifičnega izdelka.

- Uporabite oklopljene kable za izhod motorja (neoklopljeni kabli so sprejemljivi v kovinskem vodu), zavoro, DC in krmilno ožičenje.
- Prepričajte se, da so kabli motorja, zavore in kabli DC čim krajši, da zmanjšate stopnjo motenj s strani celotnega sistema. Zagotovite vsaj 200 mm (7,9 in) prostora med glavnim napajanjem, kabli motorja in krmilnimi kabli.
- Prenesite tokove nazaj v frekvenčni pretvornik s kovinsko montažno ploščo in ustreznimi pritrditvenimi objemkami EMC. Zagotovite dober električni stik med montažno ploščo s pomočjo namestitvenih vijakov na kovinskem okvirju ohišja.
- Če imajo točke povezave oklopa razliko v napetostnem potencialu, povežite izenačevalno žico z nizko impedanco vzporedno z oklopljenim kablom.
- Ko uporabljate releje, krmilne kable, signalni vmesnik, komunikacijsko vodilo ali zavoro, namestite oklop na obeh koncih ohišja. Če ima pot ozemljitve visoko impedanco, je hrupna ali prevaja tok, prekinite povezavo oklopa na enem koncu, da preprečite zanke ozemljitvenega toka.

## 1.7 Namestitev frekvenčnega pretvornika

 **OPOZORILO**
**NEVARNOST ELEKTRIČNEGA UDARA**

Če se dotaknete odprtega vtiča ali sponke motorja, električnega omrežja ali enosmernega toka, lahko pride do smrti ali resnih poškodb.

- Vsi vtiči in zaščitni pokrovi sponk za priključke motorja, omrežja in enosmernega toka morajo biti nameščeni znotraj ohišja IP20, da se zagotovi stopnja zaščite IP20. Če vtič in pokrovi sponk niso nameščeni, velja stopnja zaščite IP00.

**Lokacija namestitve je pomembna.** Celoten izhodni tok je na voljo, ko so izpolnjeni naslednji namestitveni pogoji. Za temperature in nadmorske višine zunaj tega območja glejte poglavja o zmanjšanju zmogljivosti v priročniku za projektiranje specifičnega izdelka.

- Najvišja temperatura okolja: povprečno 45 °C (113 °F) v 24 urah in povprečno 50 °C (122 °F) za 1 uro.
- Najnižja temperatura okolja: 0 °C (32 °F).
- Nadmorska višina < 1000 m (3280 ft).

1. Določite velikost ohišja. Glejte ilustracijo 1.
2. S pomočjo kode tipa opredelite vse možnosti, ki potrebujejo dodatno ožičenje in namestitev. Glejte 1. korak v poglavju Ilustracije.

Če optično preberete kodo QR na naslovnici, se odpre iskalnik po dokumentaciji. Uporabite številko možnosti, da poiščete zadevno dokumentacijo. Če na primer vpišete MCA 120, boste poiskali dokumentacijo za VLT® PROFINET MCA 120.

3. Prepričajte se, da delovno okolje in električna napeljava ustrezata naslednjim standardom.
  - a. Notranji neklimatiziran prostor/stopnja onesnaženja 2.
  - b. Prenapetost 3. kategorije.
4. Preglejte diagram ožičenja. Glejte 2. korak v poglavju Ilustracije.

Celotno ožičenje mora biti v skladu z državnimi in lokalnimi predpisi o preseku kablov ter zahtevami za temperaturo okolja. Zrahljane povezave lahko povzročijo napake ali zmanjšano učinkovitost opreme. Sponke privijte v skladu s pravimi vrednostmi navora, prikazanimi v 9. koraku v poglavju Ilustracije.

5. Preglejte tehnične podatke varovalk. Glejte 3. korak v poglavju Ilustracije.

Frekvenčni pretvornik je lahko primeren za uporabo na tokokrogu, ki je zmožen zagotavljati do 100 kA nazivnega toka kratkega stika (SCCR) pri 480/600 V. Za nazivne toke kratkega stika (SCCR) odklopnika in stikala glejte navodila za projektiranje specifičnega izdelka.

6. Preglejte tehnične podatke napajalnega kabla. Glejte 4. korak v poglavju Ilustracije.

Uporabite bakreno žico z ratingom najmanj 70 °C (158 °F). Za aluminijasto žico glejte priročnik za projektiranje specifičnega izdelka.

7. Frekvenčni pretvornik namestite tako, da sledite oštevilčenim korakom v poglavju Ilustracije. Nekatere ilustracije/koraki veljajo za določene velikosti ohišja in so tako tudi označeni.
  - a. Na frekvenčni pretvornik pritrdite komplet dodatkov (5. korak).
  - b. Frekvenčni pretvornik namestite na ali ob trdno, nevljivo površino, kot je beton ali kovina (6. korak). Zagotovite pravilno ohlajanje, tako da okoli frekvenčnega pretvornika pustite minimalni prazen prostor.

D3h–D4h so primerne za montažo na zid, D1h–D2h in D5h–D6h so primerne za montažo na zid ali talno montažo, D7h–D8h so primerne za talno montažo.

- c. Ustvarite odprtine za kable v plošči za dostop do kablov (7. korak).
  - d. Namestite krmilno ožičenje (8. korak).
  - e. Namestite motor, napajalno omrežje in ozemljitev (9. korak).
  - f. Krmilne kable napeljite proti levi strani frekvenčnega pretvornika.
8. Varno namestite pokrov na frekvenčni pretvornik.
  9. Opravite začetno nastavitve frekvenčnega pretvornika in motorja. Glejte priročnik za programiranje specifičnega izdelka.

Funkcionalne varnostne opcije zahtevajo dodatno konfiguracijo ožičenja in parametrov. Za več informacij o namestitvi varnostne opcije glejte specifična navodila za uporabo za funkcionalno varnost, kot so navodila za uporabo funkcije Safe Torque Off.

## 1.8 Požarni/zasilni način

Med delovanjem v požarnem/zasilnem načinu se lahko frekvenčni pretvornik programira tako, da se sam žrtvuje, tako da aplikacije (npr. prezračevanje ali vodne črpalke) delujejo čim dlje.

Preden aktivirate požarni/zasilni način, se prepričajte, da so vsi relevantni parametri za motor in aplikacijo pravilno konfigurirani. Danfoss priporoča, da aplikacijo zaženete od najmanjše do največje hitrosti in jo nato popolnoma zaustavite, da preverite, ali deluje pravilno, ne da bi sprožili opozorila ali alarmov na lokalnem krmilnem panelu (LCP). Neupoštevanje tega koraka pred vklopom požarnega/zasilnega načina lahko izniči garancijo. Za več navodil o konfiguriranju požarnega/zasilnega načina glejte **skupino parametrov 24-\*\* Aplikacijske funkcije 2** v priročniku za programiranje VLT ali se obrnite na lokalno pisarno Danfoss.

## 1.9 Izgubna moč in učinkovitost

Za informacije o izgubni moči, vključno z izgubo delne obremenitve, glejte <https://ecosmart.mydrive.danfoss.com>.

# 1 Asentaminen

## 1.1 Pätevä henkilöstö

Vain pätevä henkilöstö saa asentaa, ottaa käyttöön ja huoltaa Danfossin taajuusmuuttajia. Pätevällä henkilöstöllä viitataan koulutettuihin henkilöihin, jotka tuntevat taajuusmuuttajan ja joilla on valtuudet asentaa ja johdottaa sitä voimassa olevien lakien ja määräysten mukaisesti. Pätevän henkilöstön on lisäksi tunnettava tässä asennusoppaassa kuvatut ohjeet ja turvallisuustoimet.

## 1.2 Turvallisuussymbolit

Tässä oppaassa käytetään seuraavia symboleja:



Viittaa vaaralliseen tilanteeseen, joka estämättä johtaa kuolemaan tai vakavaan loukkaantumiseen.



Viittaa vaaralliseen tilanteeseen, joka voi estämättä johtaa kuolemaan tai vakavaan loukkaantumiseen.



Viittaa vaaralliseen tilanteeseen, joka voi estämättä johtaa vähäiseen tai kohtalaiseen loukkaantumiseen.

### HUOMAUTUS

Viittaa tärkeisiin tietoihin, jotka eivät kuitenkaan muodosta vaaraa (esimerkiksi omaisuusvahinkoihin liittyvät viestit).

## 1.3 Turvallisuusvarotoimet



### TURVALLISUUSTIETOISUUDEN PUUTE

Lue ennen asennuksen aloittamista kaikki tämän asennusoppaan turvallisuusohjeet ja varotoimet.

Lisädokumentaatio, kuten tuotekohtainen käyttöopas, suunnitteluopas ja ohjelmointiopas, sekä toiminnalliset turvaoppaat ovat käytettävissä skannaamalla etukannen QR-koodin. PC-työkalut ja MyDrive® ecoSmart™ voidaan ladata osoitteesta [www.danfoss.com](http://www.danfoss.com).

Tässä oppaassa annetaan tärkeitä tietoja henkilövahinkojen ja laitteiston tai järjestelmän vaurioitumisen estämisestä. Näiden tietojen huomiotta jättäminen voi johtaa kuolemaan, vakavaan loukkaantumiseen tai vakavaan laitevaurioon.

- Varmista, että käyttökohteessa ilmenevät vaarat ja turvatoimet on täysin sisäistetty.
- Ennen minkään sähkötöiden tekemistä taajuusmuuttajalle, lukitse ja merkitse kaikki virtalähteet taajuusmuuttajaan.

**VAROITUS****RASKAAN KUORMAN NOSTAMINEN**

Taajuusmuuttaja on painava. Raskaiden esineiden virheellinen nostaminen voi johtaa kuolemaan, loukkaantumiseen tai omaisuusvahinkoihin.

- Noudata paikallisia nostoa koskevia turvallisuusmääräyksiä.
- Tarkista taajuusmuuttajan paino. Paino on merkitty kuljetuslaatikon ulkopuolelle.
- Jos käytät nostolaitetta, varmista, että se on asianmukaisessa käyttökunnossa ja pystyy turvallisesti nostamaan taajuusmuuttajan painon.
- Nosta taajuusmuuttajaa testimielessä varmistaaksesi oikean painopisteen. Siirrä nostokohtaa, jos se ei ole suorassa.

**VAROITUS****VAARALLINEN JÄNNITE**

Taajuusmuuttajissa esiintyy vaarallisia jännitteitä, kun ne ovat kytkettyinä vaihto- tai tasavirtaan. Jos asennus-, käynnistys- ja huoltotöitä ei teetetä pätevällä henkilöstöllä, seurauksena voi olla kuolema tai vakava loukkaantuminen.

- Ainoastaan pätevä henkilöstö saa tehdä asennus-, käynnistys- ja ylläpitotöitä.

**VAROITUS****PURKAUSAIKA**

Taajuusmuuttajassa on tasajännitevälipiirin kondensaattoreita, joihin voi jäädä varaus, vaikka taajuusmuuttajaan ei tule virtaa. Suurta jännitettä voi esiintyä silloinkin, kun merkkivalot eivät pala. Jos virran katkaisun jälkeen ei odoteta määritettyä aikaa ennen huoltoa tai korjausta, seurauksena voi olla kuolema tai vakava loukkaantuminen.

- Sammuta moottori
- Kytke irti kaikki virtalähteet, mukaan lukien kestoplaneettimoottorit.
- Odota, että kondensaattorien varaus purkautuu kokonaan. Purkaus aika näkyy tyyppikilvessä.
- Mittaa jännitetaso täyden purkautumisen varmistamiseksi.

**VAROITUS****TAHATON KÄYNNISTYS**

Kun taajuusmuuttaja kytketään verkon vaihtovirtaan tai tasavirtaliittimiin, moottori saattaa käynnistyä milloin tahansa, jolloin aiheutuu kuoleman, vakavan loukkaantumisen sekä laitteisto- tai omaisuusvahinkojen riski.

- Pysäytä taajuusmuuttaja ja moottori ennen parametrien määrittämistä.
- Varmista, että taajuusmuuttajaa ei voi käynnistää ulkoisella kytkimellä, kenttäväyläkomennolla, tulon ohjearvosignaaleilla ohjauspaneelistai tai vikatilän kuittauksen jälkeen.
- Irrota taajuusmuuttaja sähköverkosta aina, kun turvallisuus edellyttää moottorin tahattoman käynnistymisen välttämistä.
- Varmista, että taajuusmuuttaja, moottori ja kaikki käytettävät laitteistot ovat käyttövalmiina.

 **HUOMAUTUS**
**SISÄISEN VIAN AIHEUTTAMA VAARA**

Taajuusmuuttajan sisäinen vika voi aiheuttaa vakavan loukkaantumisen, jos taajuusmuuttajaa ei ole suljettu oikein.

- Varmista ennen virran kytkemistä, että kaikki turvakannet on suljettu ja kiinnitetty oikein.

 **VAROITUS**
**SÄHKÖISKUN JA TULIPALON VAARA**

Taajuusmuuttaja voi aiheuttaa maadoitusjohtimeen tasavirran. Jos tyyppin B vikavirtasuojakytkintä (RCD) ei käytetä, vikavirtasuojakytkin ei suojaa tarkoitetulla tavalla, mikä voi aiheuttaa kuoleman, tulipalon tai muun vakavan vaaran.

- Käytä vikavirtasuojakytkintä.
- Kun vikavirtasuojakytkintä käytetään suojautumiseen sähköiskulta tai tulipalolta, käytä syöttöpuolella vain tyyppin B laitetta.

 **VAROITUS**
**INDUSOITUNUT JÄNNITE**

Lähellä kulkevista moottorin lähtökaapeista indusoitunut jännite voi ladata laitteiston kondensaattoreita silloinkin, kun laitteistosta on katkaistu virta ja se on lukittu ja merkitty. Jos moottorin lähtökaapeleita ei ole kuljetettu erillään tai ei käytetä suojattua kaapelia, seurauksena voi olla kuolema tai vakava loukkaantuminen.

- Vedä moottorikaapelit erikseen tai käytä suojattuja kaapeleita.
- Lukitse ja merkitse kaikki taajuusmuuttajat samanaikaisesti.

 **VAROITUS**
**SÄHKÖISKUVAARA**

Suojatun moottorikaapelin loiskapasitanssin vuoksi vuotovirrat ylittävät 3,5 mA. Ellei taajuusmuuttajaa maadoiteta oikein, seurauksena voi olla kuolema tai vakava loukkaantuminen.

- Varmista, että maadoitusjohtimen vähimmäiskoko vastaa paikallisia korkean kosketusvirran laitteita koskevia turvallisuusmääräyksiä.
- Käytä standardin IEC 60364-5-54 cl 543.7 mukaista vahvistettua maadoitusjohdinta tai paikalliset turvallisuusmääräykset täyttävää maadoitusjohdinta laitteille, joiden vuotovirta >3,5 mA.
- Vahvistettuun maadoitukseen:

Käytä maadoitusjohdinta, jonka poikkipinta-ala on vähintään 10 mm<sup>2</sup> (8 AWG) Cu tai 16 mm<sup>2</sup> (6 AWG) Al, tai lisämaadoitusjohdinta, jonka poikkipinta-ala on sama kuin alkuperäisen maadoitusjohtimen standardissa IEC 60364-5-54 määritetyn mukaisesti ja jonka mekaanisesti suojattu poikkipinta-ala on vähintään 2,5 mm<sup>2</sup> (14 AWG) tai mekaanisesti suojaamaton 4 mm<sup>2</sup> (12 AWG).

Käytä koteloinnin sisällä maadoitusjohdinta tai suojaa se muulla tavoin koko pituudeltaan mekaanisilta vaurioilta.

Käytä maadoitusjohdinta, joka on osa monijohdinvirtakaapelia ja jonka PE-johtimen vähimmäispoikkipinta-ala on 2,5 mm<sup>2</sup> (14 AWG), ja joka on pysyvästi kytketty tai liitetty teollisuusliittimellä. Monijohdinvirtakaapeli on asennettava asianmukaisella vedonpoistajalla.



**! HUOMAUTUS****TERMISTORIN ERISTYS**

Loukkaantumisen tai laitteen vaurioitumisen vaara.

- Käytä PELV-erotusvaatimuksien täyttämiseksi ainoastaan termistoreita, joissa on vahvistettu tai kaksinkertainen erotus.

**HUOMAUTUS****LIALLINEN KUUMUUS JA OMAISUUSVAHINGOT**

Ylivirta voi aiheuttaa taajuusmuuttajaan liiallista lämpöä. Ylivirtasuojauksen laiminlyönti voi aiheuttaa tulipalo- ja omaisuusvahinkovaaran.

- Sovelluksissa, joissa on useita moottoreita, vaaditaan taajuusmuuttajan ja moottorin väliin lisäsuojalaitteita, kuten oikosulkusuojaus tai moottorin lämpösuojaus.
- Oikosulku- ja ylivirtasuojauksia varten on syötössä oltava sulakkeet. Jos sulakkeita ei ole asennettu tehtaalla, asentajan on hankittava ne. Katso sulakkeiden tekniset tiedot tuotekohtaisesta dokumentaatiosta.

**HUOMAUTUS****AINEELLISIA VAHINKOJA**

Moottorin ylikuormitussuojaus ei ole oletuksena aktiivinen. Jos ETR-toimintoa ei määritetä, moottorin ylikuormaussuojauksia ei ole ja moottorin ylikuumentuessa voi aiheutua aineellisia vahinkoja.

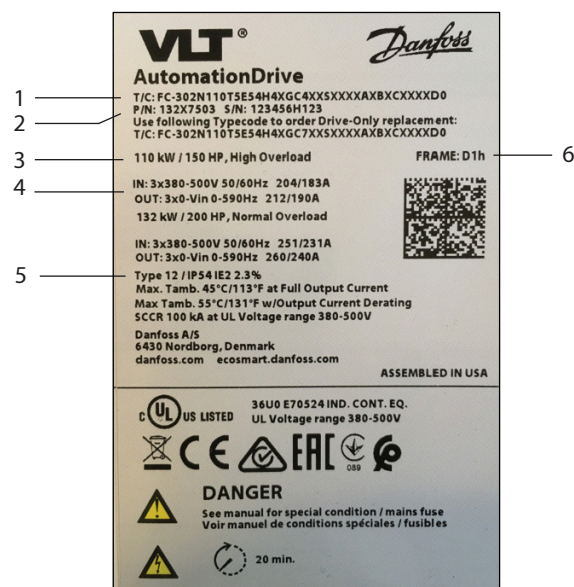
- Luokan 20 moottorin ylikuormitussuojaus saavutetaan ottamalla ETR-toiminto käyttöön. Katso lisätietoja ohjelmointioppaasta.

## 1.4 Tarvittavat työkalut

- Nostoapuväline
- Rullamitta
- Pora ja erilaisia teriä
- Ruuviavaimia (Torx, ristipää, urapää)
- Räikkävain ja 7–17 mm hylsy
- Hylsyjatkeet
- Levymetallituurna ja/tai pihdit
- Johtopihdit

## 1.5 Lähetyksen ja sisällön tarkistaminen

Varmista, että toimitetut tuotteet ja tyyppikilven tiedot vastaavat tilausta. Tyyppikilpi on taajuusmuuttajan ulkopuolella.



e30bb076.10

Kuva 1: Esimerkki tyypikilvestä

1	Tyypikoodi	2	Osanumero ja sarjanumero
3	Tehoalue	4	Syöttö-/lähtöjännite, taajuus ja virta
5	Koteloinnin suojausluokitus	6	Kokoluokka

## 1.6 EMC-direktiivin mukainen asennus

Katso lisätietoja käyttö- tai suunnitteluoppaasta.

- Käytä suojattuja kaapeleita moottorilähtöön, (suojaamattomat metalliset kaapeliputket ovat hyväksyttäviä) sekä jarru-, DC- ja ohjausliitännöissä.
- Varmista, että moottori-, jarru- ja DC-kaapelit ovat mahdollisimman lyhyitä, jotta koko järjestelmän häiriötaso saataisiin mahdollisimman alhaiseksi. Jätä vähintään 200 mm (7.9 tuumaa) tilaa verkko-, moottori- ja ohjauskaapelien väliin.
- Johda virrat takaisin taajuusmuuttajaan käyttämällä metallista asennuslevyä ja asianmukaisia EMC-maadoituksen kiristimiä. Varmista hyvin sähköä johtava kosketus asennuslevystä kiinnitysruuvien kautta koteloinnin metallirunkoon.
- Jos suojauskytkentäpisteissä on jännite-ero, kytke pieni-impedanssinen tasausjohto rinnakkain suojatun kaapelin kanssa.
- Kytke suojaus kotelointiin kummastakin päästään releiden, ohjauskaapeleiden, signaaliliittymän, kenttäväylän tai jarrun kanssa käyttämistä varten. Jos maadoitusreitillä on korkea impedanssi, siinä on kohinaa tai siinä on virtaa, estä maavirtasilmukoiden muodostuminen katkaisemalla suojauskytkentä toisesta päästä.

## 1.7 Taajuusmuuttajan asennus

 **VAROITUS**
**SÄHKÖISKUN VAARA**

Peittämättömän moottorin, verkkovirta- tai tasavirtapistokkeen tai liittimen koskettaminen voi johtaa kuolemaan tai vakavaan loukkaantumiseen.

- Kaikki pistokkeet ja liittimen suojakannet moottori-, verkkovirta- ja tasavirtaliitäntöjä varten on asennettava IP20-kotelointiin IP20-nimellistehon varmistamiseksi. Jos pistokkeen ja liittimien kansia ei ole asennettu, suojausluokitus on nimellisteho IP00.

**Asennuspaikka on tärkeä.** Täysi lähtövirta on käytettävissä, kun seuraavat asennusehdot täyttyvät. Katso lisätietoja tämän alueen ulkopuolella olevista lämpötiloista ja korkeuksista tuotekohtaisen suunnitteluoppaan Redusointi-osiosta.

- Ympäristön enimmäislämpötila: 45 °C (113 °F) keskimäärin 24 tunnin aikana ja 50 °C (122 °F) yhden tunnin ajan.
- Ympäristön vähimmäislämpötila: 0 °C (32 °F).
- Korkeus < 1 000 m (3 280 jalkaa) merenpinnan yläpuolella.

1. Tunnista kotelon koko. Katso kuva 1.
2. Tunnista lisäjohtotusta ja asetuksia vaativat optiot tyyppikoodin avulla. Katso Kuvat-osion vaihe 1.

QR-koodin skannaaminen kannessa avaa asiakirjojen hakusivun. Voit etsiä asiaan liittyviä asiakirjoja option numeron avulla. Voit käyttää esimerkiksi hakeuetta "MCA 120" etsiäksesi VLT® PROFINET MCA 120 -asiakirjoja.

3. Varmista, että käyttöympäristö ja sähköasennus täyttävät seuraavien standardien vaatimukset.
  - a. Sisätiloissa ilmastoimaton/liikaantumisaste 2.
  - b. Ylijänniteluokka 3.
4. Tarkista kytkentäkaavio. Katso Kuvat-osion vaihe 2.

Kaikkien kaapelointien on oltava poikkipinta-alaa ja ympäristön lämpötilaa koskevien paikallisten ja kansallisten vaatimusten mukaisia. Löysät liitännät voivat aiheuttaa laitevikoja tai heikentää suorituskykyä. Kiristä liittimet Kuvat-osion vaiheessa 9 kuvattuun asianmukaiseen vääntömomenttiarvoon.

5. Tarkista sulakkeiden tekniset tiedot. Katso Kuvat-osion vaihe 3.

Taajuusmuuttaja sopii käytettäväksi verkossa, joka pystyy tuottamaan enintään 100 kA nimellisoikosulkuvirran (SCCR) 480/600 V jännitteellä. Katso virrankatkaisimen ja kytkimen SCCR-luokitukset tuotekohtaisesta suunnitteluoppaasta.

6. Tarkista virtakaapelin tekniset tiedot. Katso Kuvat-osion vaihe 4.

Käytä kuparilankaa, jonka luokitus on vähintään 70 °C (158 °F). Katso alumiinilangan luokitus tuotekohtaisesta suunnitteluoppaasta.

7. Asenna taajuusmuuttaja Kuvat-osion numeroitujen vaiheiden mukaisesti. Tietyt kuvat/vaiheet koskevat tiettyjä kokoluokkia ja ne on merkitty sellaisiksi.
  - a. Kiinnitä varustelaukun osat taajuusmuuttajaan (vaihe 5).
  - b. Asenna taajuusmuuttaja tukevalle, palamattomalle alustalle, kuten betonille tai metallille (vaihe 6). Varmista asianmukainen jäähdytys jättämällä vähimmäisväli taajuusmuuttajan ylä- ja alapuolelle.

Mallit D3h–D4h ovat seinälle asennettavia, D1h–D2h ja D5h–D6h seinälle tai lattialle asennettavia ja D7h–D8h lattialle asennettavia.

- c. Tee aukot kaapelien läpivientilevyyn (vaihe 7).

- d. Asenna ohjausliitännät (vaihe 8).
  - e. Asenna moottori-, verkkovirta- ja maadoitusjohtimet (vaihe 9).
  - f. Reititä ohjauskaapelit taajuusmuuttajan vasemmalle puolelle.
8. Kiinnitä kansi kunnolla taajuusmuuttajaan.
  9. Suorita taajuusmuuttajan ja moottorin alkuasetukset. Katso lisätietoja tuotekohtaisesta ohjelmointioppaasta.

Toiminnalliset turvaoptiot edellyttävät lisäohdotusta ja parametrien määrittystä. Katso lisätietoja turvaoption asentamisesta tuotekohtaisesta toiminnallisen turvallisuuden käyttöoppaasta, kuten Safe Torque Off -käyttöohjeesta.

## 1.8 Fire mode -tila/Hätäkäyttötila

Kun taajuusmuuttaja toimii Fire mode-/hätkäkäyttötilassa, se voidaan ohjelmoida uhraamaan itsensä, jotta sovellukset (esimerkiksi ilmanvaihto tai vesipumput) toimivat mahdollisimman pitkään.

Varmista ennen Fire Mode -tilan/hätkäkäyttötilan aktivointia, että kaikki moottorin ja sovelluksen kannalta oleelliset parametrit on määritetty oikein. Danfoss suosittelee sovelluksen käyttämistä miniminopeudesta maksiminopeuteen ja sen jälkeen sovelluksen pysäyttämistä kokonaan sen varmistamiseksi, että se toimii oikein ilman paikallisen ohjauspaneelin varoituksia tai hälytyksiä. Jos tätä vaihetta ei suoriteta ennen Fire mode-/hätkäkäyttötilan käyttöönottoa, seurauksena voi olla takuun raukeaminen. Lisätietoja Fire mode-/hätkäkäyttötilan määrittämisestä on VLT-ohjelmointioppaan *parametiryhmässä 24-\*\* Application Functions 2* (Sovellustoiminnot 2). Voit myös ottaa yhteyttä paikalliseen Danfoss toimistoon.

## 1.9 Tehohäviöt ja hyötysuhde

Katso tehohäviötiedot, mukaan lukien osakuormahäviöt, kohdasta <https://ecosmart.mydrive.danfoss.com>.

# 1 Telepítés

## 1.1 Képzett szakember

A Danfoss frekvenciaváltókat csak képzett szakember telepítheti, helyezheti üzembe és tarthatja karban. Az a szakképzett személy minősül képzett szakembernek, aki jól ismeri a frekvenciaváltót, és a vonatkozó jogszabályok és rendeletek értelmében jogosult annak szerelésére és vezetékezésére. A képzett szakembernek emellett behatóan kell ismernie a jelen telepítési útmutatóban foglalt utasításokat és biztonsági óvintézkedéseket.

## 1.2 Biztonsági jelzések

A kézikönyvben használt jelzések a következők:

### VESZÉLY!

Veszélyes helyzetet jelez, amelynek bekövetkezése halálhoz vagy súlyos sérüléshez vezet.

### FIGYELMEZTETÉS

Veszélyes helyzetet jelez, amelynek bekövetkezése halálhoz vagy súlyos sérüléshez vezethet.

### VIGYÁZAT!

Veszélyes helyzetet jelez, amelynek bekövetkezése kisebb vagy közepes súlyosságú sérüléshez vezethet.

### MEGJEGYZÉS

Fontosnak ítélt, de nem veszéllyel kapcsolatos információt jelez (például vagyoni kárral kapcsolatos tudnivalók).

## 1.3 Biztonsági óvintézkedések

### FIGYELMEZTETÉS



#### A BIZTONSÁGTUDATOSSÁG HIÁNYA

A telepítés megkezdése előtt olvassa el a jelen telepítési útmutatóban foglalt biztonsági irányelveket és óvintézkedéseket. További dokumentáció, például a termékspecifikus kezelési útmutató, a tervezői segédlet és a programozási útmutató, valamint a funkcionális biztonsági útmutatók az elülső borítón található QR-kód leolvasásával érhetők el. A számítógépes eszközök és a MyDrive® ecoSmart™ letölthető a [www.danfoss.com](http://www.danfoss.com) címről.

A jelen útmutató fontos információkat tartalmaz a sérülések, valamint a berendezés és a rendszer károsodásának megelőzéséről. Ezen információk figyelmen kívül hagyása halálhoz, súlyos sérüléshez vagy a berendezés súlyos károsodásához vezethet.

- Gondoskodjon az alkalmazáshoz kapcsolódó veszélyek és biztonsági intézkedések teljes körű megértéséről.
- A frekvenciaváltó minden energiaforrását zárja ki és táblázza ki, mielőtt villamossági munkát végezne a készüléken.

 **FIGYELMEZTETÉS****NEHÉZ TEHER EMELÉSE**

A frekvenciaváltó nehéz. A nehéz tárgyak helytelen emelése halálhoz, sérüléshez vagy anyagi kárhoz vezethet.

- Tartsa be az emelésre vonatkozó biztonsági előírásokat.
- Állapítsa meg a frekvenciaváltó tömegét. A tömeg fel van tüntetve a szállítódoboz külsején.
- Emelőberendezés használata esetén gondoskodjon róla, hogy az megfelelő állapotban legyen, és biztonságosan elbíra a frekvenciaváltó súlyát.
- Végezzen próbaemelést annak megállapítására, hogy hol van a berendezés tömegközéppontja. Helyezze át az emelési pontot, ha nem vízszintes.

 **FIGYELMEZTETÉS****VESZÉLYES FESZÜLTSG**

A váltakozó áramú vagy egyenáramú hálózathoz csatlakoztatott szűrőkben veszélyes feszültség van jelen. Ha a telepítést, feszültség alá helyezést és karbantartást nem képzett szakember végzi, az halált vagy súlyos sérülést okozhat.

- Telepítést, feszültség alá helyezést és karbantartást csak képzett szakember végezhet.

 **FIGYELMEZTETÉS****KISÜLÉSI IDŐ**

A frekvenciaváltó DC-köri kondenzátorainak töltése a frekvenciaváltó hálózati feszültségének lekapcsolása után is megmaradhat. Akkor is jelen lehet nagyfeszültség, ha egyetlen figyelmeztető jelzőfény sem világít. Ha a hálózati feszültség lekapcsolása után a megadott idő kivárása nélkül kezd szerviz- vagy javítási munkába, az halált vagy súlyos sérülést okozhat.

- Állítsa le a motort
- Válasszon le minden energiaforrást, ideértve az állandó mágneses motorokat is.
- Várja meg, amíg a kondenzátorok teljesen kisülnek. A kisülési idő fel van tüntetve az adattáblán.
- A feszültség szint megméréseivel ellenőrizze, hogy megtörtént-e a teljes kisülés.

 **FIGYELMEZTETÉS****VÉLETLEN INDÍTÁS**

Ha a frekvenciaváltó AC-hálózatra vagy DC-kapcsokra van kapcsolva, a motor bármikor elindulhat, ami halált, súlyos sérülést, illetve a berendezés károsodását vagy anyagi kárt okozhat.

- A paraméterek konfigurálása előtt állítsa le a frekvenciaváltót és a motort.
- Gondoskodjon róla, hogy a frekvenciaváltó ne indulhasson el külső kapcsoló, terepibusz-parancs vagy a kijelző- és kezelőegységről érkező bemeneti referenciajel hatására, illetve hibaállapot megszűnése után.
- Ha a biztonsági megfontolások indokolták teszik a véletlen motorindítás megelőzésének biztosítását, kapcsolja le a frekvenciaváltót az elektromos hálózatról.
- Ellenőrizze, hogy a frekvenciaváltó, a motor és valamennyi meghajtott berendezés működőképés állapotban van-e.

**⚠ VIGYÁZAT!****BELSŐ HIBA VESZÉLYE**

Ha a frekvenciaváltó nincs megfelelően lezárva, egy esetleges belső hiba súlyos sérülést okozhat.

- A feszültség alá helyezés előtt győződjön meg arról, hogy minden biztonsági burkolat megfelelően a helyére van-e rögzítve.

**⚠ FIGYELMEZTETÉS****ÁRAMÜTÉS ÉS TŰZ VESZÉLYE**

A frekvenciaváltó egyenáramot hozhat létre a földelővezetékben. A B típusú áramvédő kapcsoló (ÁVK) használatának elmulasztása ahhoz vezethet, hogy az RCD nem nyújtja a kívánt védelmet, ami halált, tüzet vagy egyéb súlyos veszélyt okozhat.

- Használjon ÁVK-készüléket.
- Ha ÁVK-t használ az áramütés vagy tűz elleni védelemre, az mindig B típusú készülék legyen a tápoldalon.

**⚠ FIGYELMEZTETÉS****INDUKÁLT FESZÜLTSG**

Az egymás mellett vezetett motorkábelek által létrehozott indukált feszültség a berendezés kikapcsolt és kizárt/kitáblázott állapotában is feltöltheti annak kondenzátorait. Ha nem egymástól elkülönítve vezet a motorkábeleket, vagy nem árnyékolt kábeleket használ, az halált vagy súlyos sérülést okozhat.

- Egymástól elkülönítve vezesse a motorkábeleket, vagy árnyékolt kábeleket használjon.
- Az összes frekvenciaváltót zárja ki/táblázza ki egyidejűleg.

**⚠ FIGYELMEZTETÉS****ÁRAMÜTÉS VESZÉLYE**

Az árnyékolt motorkábel szórt kapacitása miatt a szivárgó áramok meghaladják a 3,5 mA-t. A frekvenciaváltó megfelelő földelésének hiánya halált vagy súlyos sérülést okozhat.

- Gondoskodjon róla, hogy a földelővezeték minimális mérete megfeleljen a nagy érintési áramú berendezésekre vonatkozó helyi biztonsági előírásoknak.
- Használjon az IEC 60364-5-54 szabvány 543.7 pontja követelményeinek vagy a 3,5 mA-nél nagyobb szivárgó áramú berendezésekre vonatkozó helyi biztonsági előírásoknak megfelelő megerősített földelővezetékét.

- A megerősített földeléshez:

Legalább 10 mm<sup>2</sup> (8 AWG) keresztmetszetű réz vagy 16 mm<sup>2</sup> (6 AWG) keresztmetszetű alumínium földelővezeték, vagy pedig mechanikus védelem esetén 2,5 mm<sup>2</sup> (14 AWG), mechanikus védelem hiányában 4 mm<sup>2</sup> (12 AWG) minimális keresztmetszetű az (IEC 60364-5-54 által meghatározott) eredeti földelővezetékével azonos keresztmetszetű további földelővezetékét használjon.

A földelővezeték vagy készülékházban fusson, vagy más módon biztosítsa a mechanikai sérülés elleni védelmet a teljes hosszában.

Olyan földelővezetékét használjon, amely legalább 2,5 mm<sup>2</sup> (14 AWG) keresztmetszetű védővezetővel rendelkező, fixen bekötött vagy ipari csatlakozóba tartósan csatlakoztatott többvezetős erősáramú kábel része. A többvezetős erősáramú kábelt megfelelő feszültségmentesítéssel kell telepíteni.

**⚠ VIGYÁZAT!****TERMISZTOR SZIGETELÉSE**

Személyi sérülés és a berendezés károsodásának veszélye.

- A PELV szigetelési követelmények teljesítéséhez a termisztoroknak megerősített vagy dupla szigeteléssel kell rendelkezniük.

**MEGJEGYZÉS****TÚLZOTT HŐ ÉS ANYAGI KÁR**

A túláram túlzott hőt termelhet a frekvenciaváltóban. A túláram elleni védelem hiánya tűzveszélyt és anyagi kárt okozhat.

- Több motort használó alkalmazásnál további védőeszközökre, például rövidzárlat- vagy motorhővédelemre van szükség a frekvenciaváltó és a motor között.
- A rövidzárlat és túláram elleni védelem biztosításához bemeneti biztosító szükséges. Ha a szállított berendezés nem rendelkezik biztosítókkal, akkor erről a telepítőnek kell gondoskodnia. A biztosítékok specifikációit lásd a termékspecifikus dokumentációban.

**MEGJEGYZÉS****ANYAGI KÁR**

A motortúlterhelés elleni védelem alapértelmezés szerint nem aktív. Az ETR funkció beállításának elmulasztása esetén a motor túlterhelés elleni védelme nem működik, és a motor túlmelegedése anyagi kárhoz vezethet.

- A 20-as osztályú motor túlterhelés elleni védelme érdekében engedélyezze az ETR-funkciót. További információkért lásd a programozási útmutatót.

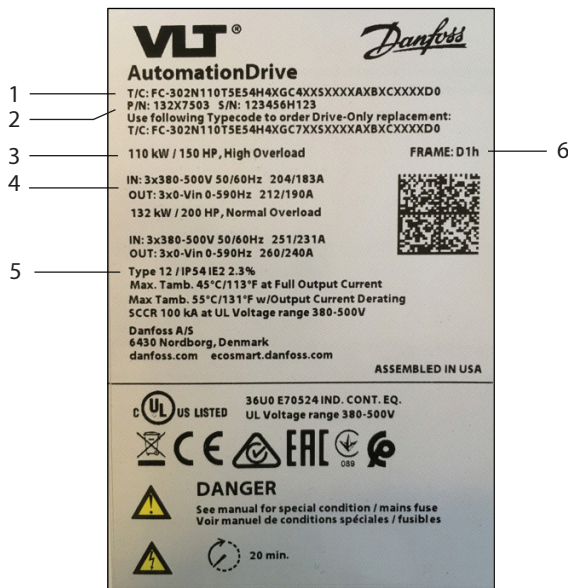
## 1.4 Szükséges szerszámok

- Emelőeszköz
- Mérőszalag
- Fúrógép különféle fúrószárral
- Csavarhúzó (Torx, csillag- és laposfejű)
- Nyomatékkulcs 7–17 mm-es dugókulcsokkal
- Csőkulchosszabbító toldatok
- Fémlemezlyukasztó és/vagy fogó
- Krimpelő

## 1.5 A szállítmány és tartalmának ellenőrzése

Ellenőrizze, hogy a leszállított tételek és az adattáblán szereplő adatok megfelelnek-e a rendelésnek. A termékcímke a frekvenciaváltó külső részén található.





e30bb076.10

Ábra 1: Példa a termék címkére

1	Típuskód	2	Cikkszám és sorozatszám
3	Névleges teljesítmény	4	Bemeneti/kimeneti feszültség, frekvencia és áram
5	Mechanikai védetség	6	Házméret

## 1.6 EMC-kompatibilis telepítés

További információkkal a Kezelési útmutató vagy a Tervezői segédlet szolgál.

- A motorkimenet, a fék-, a DC- és a vezérlőkábelek árnyékolt kábelek legyenek (a motor esetében fém védőcsőben vezetett árnyékoltatlan kábel is elfogadható).
- A teljes rendszer interferenciaszintjének csökkentése érdekében a motor-, a fék- és a DC-kábelek minél rövidebbek legyenek. A hálózati táp-, a motor- és vezérlőkábelek között legalább 200 mm (7,9 hüvelyk) távolság legyen.
- Fém szerelőlap és megfelelő EMC-csatlakozóbilincsek segítségével vezesse vissza az áramot a frekvenciaváltóhoz. Biztosítson jó elektromos érintkezést a szerelőlap és a készülékház fémkerete között a rögzítőcsavarokon keresztül.
- Ha az árnyékolás csatlakozási pontjain potenciálkülönbség van, akkor az árnyékolt kábellel párhuzamosan csatlakoztasson egy kis impedanciájú kiegyenlítővezeték.
- Relék, vezérlőkábelek, jelinterfész, terepi busz vagy fék használata esetén az árnyékolás mindkét végét csatlakoztassa a készülékházhoz. Ha a földelés útvonalának nagy az impedanciája, zajos, vagy áramot vezet, akkor a földzárlati hurkok kialakulásának megelőzése érdekében az árnyékolás egyik végén bontsa a csatlakozást.

## 1.7 A frekvenciaváltó telepítése

 **FIGYELMEZTETÉS**
**ÁRAMÜTÉS VESZÉLYE**

A burkolat nélküli motor-, hálózati vagy egyenáramú csatlakozódugó vagy csatlakozó megérintése halált vagy súlyos sérülést okozhat.

- A motor-, hálózati és egyenáramú csatlakozások valamennyi csatlakozódugóját és csatlakozó védőburkolatát az IP20 mechanikai védetség biztosítása érdekében az IP20 mechanikai védetségű készülékbe kell szerelni. Ha nincsenek felszerelve dugók és kivezetősapkák, akkor a védetség IP00.

**A telepítés helye lényeges.** A teljes kimeneti áram akkor áll rendelkezésre, ha teljesülnek az alábbi telepítési feltételek. Ha a hőmérséklet vagy a tengerszint feletti magasság kívül esik ezeken a tartományokon, akkor tekintse meg a termékre vonatkozó tervezői segédlet Leértékelés című részét.

- Maximális környezeti hőmérséklet: 24 órás átlagban 45 °C (113 °F), 1 órán át 50 °C (122 °F).
- Minimális környezeti hőmérséklet: 0 °C (32 °F).
- Tengerszint feletti magasság: < 1000 m (3280 láb).

1. Állapítsa meg a házméretet. Lásd az 1. ábrát.
2. A típuskód alapján határozza meg a külön vezetékeztést és beállítást igénylő opciókat. Lásd az 1. lépést az Illusztrációk című szakaszban.

A borítón található QR-kód leolvasásával megnyithatja a dokumentációkereső oldalt. A kapcsolódó dokumentációt az opció száma alapján keresse. Például a VLT® PROFINET MCA 120 dokumentációját az MCA 120 szám alapján keresheti.

3. Győződjön meg róla, hogy az üzemi környezet és az elektromos telepítés megfelel az alábbi szabványoknak.
  - a. Beltéri kondicionálatlan/2-es szennyezettségi fokozat.
  - b. 3. túlfeszültség-kategória.
4. Tekintse meg a kapcsolási rajzot. Lásd a 2. lépést az Illusztrációk című szakaszban.

Minden vezetéknek meg kell felelnie a keresztmetszetre és a környezeti hőmérsékletre vonatkozó helyi és nemzeti előírásoknak. Az érintkezési hibák a berendezés hibásan vagy csökkent teljesítménnyel történő működését okozhatják. Húzza meg a csatlakozókat az Illusztrációk című szakasz 9. lépésében szereplő megfelelő nyomatékértékkel.

5. Tekintse át a biztosítókra vonatkozó specifikációkat. Lásd a 3. lépést az Illusztrációk című szakaszban.

A frekvenciaváltó alkalmas lehet olyan áramkörön történő használatra, amely 480/600 V mellett legfeljebb 100 kA névleges rövidzárlati áram (SCCR) biztosítására képes. A megszakítók és a kapcsolók SCCR-értékeit illetően lapozza fel a termékre vonatkozó tervezői segédletet.

6. Tekintse át az erősáramú kábelekre vonatkozó specifikációkat. Lásd a 4. lépést az Illusztrációk című szakaszban.

Legalább 70 °C (158 °F) védetségű rézvezeték használjon. Alumíniumdrót esetén lásd a termékre vonatkozó tervezői segédletet.

7. Telepítse a frekvenciaváltót az Illusztrációk című szakasz számozott lépései alapján. Egyes ábrák, illetve lépések csak bizonyos házméretekre vonatkoznak, ami a megjelölésükből látható.
  - a. Csatlakoztassa a frekvenciaváltóhoz a tartozékos tasakban található komponenseket (5. lépés).
  - b. A frekvenciaváltót szilárd, nem éghető felületre, például betonra vagy fémre szerelje (6. lépés). A megfelelő hűtés érdekében legalább a minimálisan előírt távolságot hagyja szabadon a frekvenciaváltó alatt és felett.

A D3h–D4h falra, a D1h–D2h és a D5h–D6h falra vagy padlóra, a D7h–D8h pedig padlóra szerelhető.

- c. Alakítson ki kábelnyílásokat a kábelfogadó lemezen (7. lépés).
  - d. Telepítse a vezérlőkábeleket (8. lépés).
  - e. Telepítse a motor-, a hálózati és a földelővezetékeket (9. lépés).
  - f. Vezesse a vezérlőkábeleket a frekvenciaváltó bal oldala felé.
8. Szilárdan rögzítse a burkolatot a frekvenciaváltóra.
  9. Végezze el a frekvenciaváltó és a motor kezdeti beállítását. Lapozza fel az adott termékhez készült programozási útmutatót.

A funkcionális biztonsági opciók további vezetékezést és paraméterkonfigurációt igényelnek. A biztonsági opció telepítését illetően lapozza fel a speciális funkcionális biztonságra vonatkozó kezelési útmutatót, például a Safe Torque Off kezelési útmutatót.

## 1.8 Tűz/vészhelyzeti üzemmód

Tűz/vészhelyzeti üzemmódban a frekvenciaváltó beprogramozható úgy, hogy feláldozza magát, így az alkalmazások (pl. szellőztetés vagy vízszivattyúk) a lehető leghosszabb ideig működnek.

A tűz/vészhelyzeti üzemmód aktiválása előtt győződjön meg arról, hogy a motor és az alkalmazás valamennyi lényeges paramétere megfelelően van beállítva. A(z) Danfoss azt javasolja, hogy az alkalmazást a minimálistól a maximális fordulatszámig működtesse, majd állítsa le teljesen, ellenőrizve, hogy megfelelően működik-e anélkül, hogy figyelmeztetéseket vagy vészjelzéseket generálna a kijelző- és kezelőegységen. Ha ezt a lépést a tűz/vészhelyzeti üzemmód engedélyezése előtt figyelmen kívül hagyja, a garancia érvényét veszítheti. A tűz-/vészhelyzeti üzemmód konfigurálásával kapcsolatban további útmutatásért lásd a VLT programozási útmutató **24-\*\* Alkalmazásfunkciók 2 paramétercsoportját**, vagy forduljon a helyi Danfoss képviselőhöz.

## 1.9 Teljesítményveszteség és hatásfok

A teljesítményveszteség adatai – beleértve a részterhelési veszteségeket – itt található: <https://ecosmart.mydrive.danfoss.com>.

# 1 Instalace

## 1.1 Kvalifikovaný personál

Pouze kvalifikovaný personál smí instalovat frekvenční měniče Danfoss, uvádět je do provozu a provádět jejich údržbu. Kvalifikovaný personál představují vyškolení pracovníci, kteří jsou obeznámeni s instalací a mají oprávnění namontovat a připojit frekvenční měnič v souladu s příslušnými zákony a předpisy. Kvalifikovaný personál musí být rovněž důvěrně obeznámen s pokyny a bezpečnostními opatřeními popsány v této instalační příručce.

## 1.2 Bezpečnostní symboly

V této příručce jsou použity následující symboly:

### NEBEZPEČÍ

Označuje potenciálně nebezpečnou situaci, která bude mít za následek smrt nebo vážné zranění.

### VÝSTRAHA

Označuje potenciálně nebezpečnou situaci, která by mohla mít za následek smrt nebo vážné zranění.

### UPOZORNĚNÍ

Označuje potenciálně nebezpečnou situaci, která by mohla mít za následek lehký nebo středně těžký úraz.

### OZNÁMENÍ

Označuje důležité informace, které se však nevztahují k nebezpečí (například zprávy související s poškozením majetku).

## 1.3 Bezpečnostní opatření

### VÝSTRAHA



#### NEDOSTATEČNÉ POVĚDOMÍ O BEZPEČNOSTI

Před zahájením instalace si přečtěte všechny bezpečnostní pokyny a opatření v této instalační příručce. Další dokumentaci, jako je uživatelská příručka daného produktu, příručka projektanta a příručka programátora, a také příručky k funkční bezpečnosti, získáte po naskenování QR kódu na předním krytu. Počítačové nástroje a MyDrive® ecoSmart™ si můžete stáhnout na [www.danfoss.com](http://www.danfoss.com).

Tato příručka obsahuje důležité informace o prevenci úrazů a poškození zařízení a systému. Ignorování těchto informací může vést ke smrti, vážnému zranění nebo závažnému poškození zařízení.

- Ujistěte se, že plně rozumíte nebezpečím a bezpečnostním opatřením v aplikaci.
- Před prováděním jakýchkoliv prací na elektroinstalaci frekvenčního měniče zablokujte a označte všechny zdroje napájení měniče.

 **VÝSTRAHA**
**ZVEDÁNÍ TĚŽKÉHO BŘEMENE**

Měnič je těžký. Nesprávné zvedání těžkých předmětů může způsobit smrt, zranění nebo škody na majetku.

- Dodržujte místní bezpečnostní předpisy pro zvedání.
- Zkontrolujte hmotnost měniče. Hmotnost je uvedena na vnější straně přepravní krabice.
- Pokud používáte zvedací zařízení, ujistěte se, že je v řádném provozním stavu a může bezpečně zvednout hmotnost měniče.
- Vyzkoušejte zvednutí měniče, abyste ověřili správné těžiště. Pokud není měnič ve vodorovné poloze, přemístěte zvedací bod.

 **VÝSTRAHA**
**NEBEZPEČNÉ NAPĚTÍ**

Měniče obsahují při připojení k napájení nebezpečné napětí. Pokud by instalaci, spuštění a údržbu neprováděl kvalifikovaný personál, hrozí nebezpečí smrti nebo vážného úrazu.

- Instalaci, spuštění a údržbu smí provádět pouze kvalifikovaný personál.

 **VÝSTRAHA**
**DOBA VYBÍJENÍ**

Měnič obsahuje kondenzátory DC meziobvodu, které mohou zůstat nabité i když měnič není napájen. Vysoké napětí může být přítomno, i když varovné kontrolky nesvítí. Pokud byste před prováděním servisu nebo oprav nevyčkali po odpojení napájení požadovanou dobu, mohlo by to mít za následek smrt nebo vážný úraz.

- Zastavte motor.
- Odpojte všechny zdroje napájení, včetně motorů s permanentním magnetem.
- Počkejte, až se kondenzátory úplně vybijí. Doba vybíjení je uvedena na typovém štítku měniče.
- Změřte úroveň napětí pro ověření úplného vybití.

 **VÝSTRAHA**
**NEÚMYSLNÝ START**

Pokud je frekvenční měnič připojen k AC síti nebo k DC svorkám, motor se může kdykoli spustit a následkem může být riziko smrti, vážného poranění, poškození zařízení nebo majetku.

- Před konfigurací parametrů zastavte měnič a motor.
- Zajistěte, aby měnič nemohl být spuštěn externím vypínačem, příkazem komunikační sběrnice, přivedeným referenčním signálem z ovládacího panelu nebo po odstranění chybového stavu.
- Kdykoliv je potřeba z bezpečnostních důvodů zabránit neúmyslnému startu motoru, odpojte měnič od sítě.
- Měnič, motor a veškerá poháněná zařízení musí být připraveny k provozu.

## ⚠ UPOZORNĚNÍ

### RIZIKO VNITŘNÍ ZÁVADY

Vnitřní závada měniče může způsobit vážné poranění, když není měnič správně zavřený.

- Před zapnutím napájení zkontrolujte, zda jsou všechny bezpečnostní kryty na svém místě a řádně připevněny.

## ⚠ VÝSTRAHA



### NEBEZPEČÍ ÚRAZU ELEKTRICKÝM PROUDEM A NEBEZPEČÍ POŽÁRU

Měnič může v ochranném vodiči generovat stejnosměrný proud. Pokud nepoužijete proudový chránič typu B, může se stát, že proudový chránič nebude poskytovat předpokládanou ochranu, což může mít za následek smrt, požár nebo jiné vážné nebezpečí.

- Použijte proudový chránič.
- Pokud je proudový chránič použit jako ochrana proti úrazu elektrickým proudem nebo požáru, na straně napájení používejte pouze zařízení typu B.

## ⚠ VÝSTRAHA



### INDUKOVANÉ NAPĚTÍ

Indukované napětí z výstupních motorových kabelů vedených společně by mohlo nabít kondenzátory zařízení i při vypnutém a zablokovaném a označeném zařízení. Pokud by nebyly kabely vedeny samostatně, nebo by nebyly použity stíněné kabely, hrozí nebezpečí smrti nebo vážného úrazu.

- Vedte výstupní kabely motoru samostatně nebo použijte stíněné kabely.
- Zablokujte a označte všechny měniče současně.

## ⚠ VÝSTRAHA



### NEBEZPEČÍ ÚRAZU ELEKTRICKÝM PROUDEM

Vzhledem k rozptylové kapacitě stíněného motorového kabelu jsou svodové proudy vyšší než 3,5 mA. Nedostatečné uzemnění měniče může mít za následek smrt nebo vážný úraz.

- Ujistěte se, že minimální velikost ochranného vodiče odpovídá místním bezpečnostním předpisům pro zařízení s vysokým dotykovým proudem.
- Použijte zesílený ochranný vodič podle ČSN 33 2000-5-54 čl. 543.7 nebo podle místních bezpečnostních předpisů pro zařízení se svodovým proudem > 3,5 mA.
- Pro zesílené uzemnění:

Použijte ochranný vodič s průřezem nejméně 10 mm<sup>2</sup> (8 AWG) Cu nebo 16 mm<sup>2</sup> (6 AWG) Al, nebo dodatečný ochranný vodič stejného průřezu jako originální ochranný vodič dle normy ČSN 33 2000-5-54, s minimální plochou průřezu 2,5 mm<sup>2</sup> (14 AWG) mechanicky chráněnou nebo 4 mm<sup>2</sup> (12 AWG) mechanicky nechráněnou. Uvnitř konstrukce použijte ochranný vodič nebo ho po celé jeho délce chraňte před mechanickým poškozením. Použijte ochranný vodič, který je součástí vícežilového napájecího kabelu s minimálním průřezem ochranného vodiče 2,5 mm<sup>2</sup> (14 AWG), který je trvale připojen průmyslovým konektorem. Vícežilový napájecí kabel musí být instalován s odpovídajícím odlehčením tahu.

**⚠ UPOZORNĚNÍ****IZOLACE TERMISTORU**

Riziko úrazu nebo poškození zařízení.

- Termistory musí mít zesílenou či dvojitou izolaci, aby vyhověly požadavkům na izolaci PELV.

**OZNÁMENÍ****NADMĚRNÉ TEPLA A ŠKODY NA MAJETKU**

Nadproud může v měničích generovat nadměrné teplo. Pokud nezajistíte ochranu proti nadproudu, hrozí nebezpečí požáru a poškození majetku.

- Při použití s více motory jsou zapotřebí další ochranná zařízení, například ochrana proti zkratu nebo tepelná ochrana motoru mezi frekvenčním měničem a motorem.
- K zajištění ochrany proti zkratu a nadproudu jsou zapotřebí pojistky na vstupu. Jestliže filtr není opatřen pojistkami z výroby, musí je zajistit montážní firma. Specifikace pojistek naleznete v dokumentaci ke konkrétnímu produktu.

**OZNÁMENÍ****POŠKOZENÍ MAJETKU**

Ochrana proti přetížení motoru není ve výchozím nastavení aktivní. Když nenastavíte funkci ETR, ochrana motoru proti přetížení není zajištěna a při přehřátí motoru může dojít ke škodě na majetku.

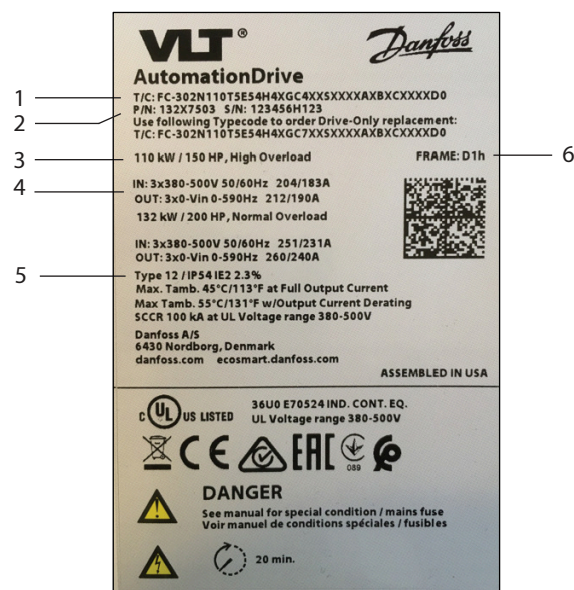
- Chcete-li zajistit ochranu motoru proti přetížení třídy 20, zapněte funkci ETR. Další informace naleznete v příručce programátora.

**1.4 Potřebné nářadí**

- Zvedací pomůcka
- Metr
- Vrtačka s různými vrtáky
- Šroubováky (Torx, křížový, plochý)
- Nástrčné klíče 7–17 mm
- Prodlužovací nástavce
- Průbojník na plech a/nebo kleště
- Krimpovací kleště

**1.5 Kontrola zásilky a jejího obsahu**

Zkontrolujte, zda obsah balení a informace na typovém štítku odpovídají objednávce. Typový štítek je umístěn na vnější straně měniče.



e30bb076.10

Obrázek 1: Příklad typového štítku

1	Typový kód	2	Objednací číslo a sériové číslo
3	Jmenovitý výkon	4	Vstupní/výstupní napětí, frekvence a proud
5	Krytí	6	Konstrukční velikost

## 1.6 Instalace vyhovující EMC

Další informace naleznete v uživatelské příručce nebo v příručce projektanta.

- Použijte stíněné kabely pro výstup motoru (nestíněné kabely v kovovém kabelovodu jsou přípustné), brzdu, meziobvod a řídicí kabely.
- Aby byla snížena úroveň rušení z celého systému, zkraťte co nejvíce kabely motoru, brzdy a meziobvodu. Mezi napájecími, motorovými a řídicími kabely musí být minimální vzdálenost 200 mm (7,9").
- Svedte proudy zpět do měniče pomocí kovové montážní desky a vhodných svorek EMC. Zajistěte dobrý elektrický kontakt z montážní desky na kovový rám konstrukce přes montážní šrouby.
- Pokud mají připojovací body stínění rozdíl napěťových potenciálů, připojte vyrovnávací vodič s nízkou impedancí paralelně ke stíněnému kabelu.
- Při použití s relé, řídicími kabely, signálovým rozhraním, komunikační sběrnici Fieldbus nebo brzdou připojte stínění ke konstrukci na obou koncích. Pokud má uzemnění vysokou impedanci, je hlučné nebo přenáší proud, stínění na jednom konci přerušte, abyste zamezili smyčkám zemního proudu.

## 1.7 Instalace měniče



 **VÝSTRAHA**
**NEBEZPEČÍ ÚRAZU ELEKTRICKÝM PROUDEM**

Pokud byste se dotkli nezakryté zástrčky nebo svorky připojení motoru, napájení nebo meziobvodu, hrozí smrt nebo vážný úraz.

- Všechny ochranné kryty zástrček a svorek pro připojení motoru, napájení nebo meziobvodu musí být nainstalovány uvnitř krytí IP20, aby byla zajištěna třída ochrany IP20. Bez nainstalovaných krytů zástrček a svorek platí třída ochrany IP00.

**Místo instalace je důležité.** Plný výstupní proud je k dispozici, když jsou splněny následující instalační podmínky. Informace o teplotách a nadmořských výškách mimo tento rozsah naleznete v části Odlehčení v příručce projektanta k danému produktu.

- Maximální okolní teplota: 45 °C (113 °F) průměr za 24 hodin a 50 °C (122 °F) za 1 hodinu.
- Minimální okolní teplota: 0 °C (32 °F).
- Nadmořská výška < 1 000 m (3 280 ft) nad mořem.

1. Identifikujte konstrukční velikost. Viz obrázek 1.
2. Pomocí typového kódu určete všechny doplňky, které vyžadují další zapojení a nastavení. Viz krok 1 v části Obrázky.

Naskenováním QR kódu na krytu otevřete stránku vyhledávání dokumentace. Pro vyhledání příslušné dokumentace použijte číslo doplňku. Například zadáním MCA 120 vyhledáte dokumentaci doplňku VLT® PROFINET MCA 120.

3. Zajistěte, aby provozní prostředí a elektrická instalace splňovaly následující standardy.
  - a. Vnitřní prostory bez klimatizace/stupeň znečištění 2.
  - b. Kategorie přepětí 3.
4. Zkontrolujte schéma zapojení. Viz krok 2 v části Obrázky.

Veškerá kabeláž musí vyhovovat platným národním a místním předpisům pro průřezy kabelů a okolní teplotu. Uvolněné spoje mohou způsobit závady zařízení nebo zhoršení výkonu. Utáhněte svorky správným momentem uvedeným v kroku 9 v části Obrázky.

5. Zkontrolujte specifikace pojistek. Viz krok 3 v části Obrázky.

Měnič je vhodný pro použití v obvodu dodávajícím zkratový proud (SCCR) maximálně 100 kA při napětí 480/600 V. Jmenovité hodnoty jističe a spínače SCCR naleznete v příručce projektanta k danému produktu.

6. Zkontrolujte specifikace napájecího kabelu. Viz krok 4 v části Obrázky.

Použijte měděný vodič s minimální charakteristikou 70 °C (158 °F). Informace pro hliníkový vodič naleznete v příručce projektanta k danému produktu.

7. Nainstalujte frekvenční měnič podle očíslovaných kroků v části Obrázky. Některé ilustrace/kroky se týkají konkrétních konstrukčních velikostí a jsou takto označeny.

- a. Připojte k měniči komponenty sady s příslušenstvím (krok 5).
- b. Měnič namontujte na pevný, nehořlavý montážní povrch, např. na beton nebo kov (krok 6). Zajistěte dostatečné chlazení tím, že dodržíte minimální volný prostor nad a pod měničem.

D3h–D4h se montují na stěnu, D1h–D2h a D5h–D6h se montují na stěnu nebo na podlahu a D7h–D8h se montují na podlahu.

- c. Vytvořte ve vstupní kabelové desce otvory pro kabely (krok 7).

- d. Nainstalujte řídicí kabely (krok 8).
  - e. Nainstalujte kabely motoru, napájení a uzemnění (krok 9).
  - f. Vedte řídicí kabely směrem k levé straně měniče.
8. Pevně upevněte kryt k měniči.
  9. Provedte počáteční nastavení měniče a motoru. Podívejte se do příručky programátora k danému produktu.

Doplňky funkční bezpečnosti vyžadují další zapojení a konfiguraci parametrů. Další informace o instalaci bezpečnostního doplňku naleznete v uživatelské příručce specifické funkční bezpečnosti, například v uživatelské příručce funkce Safe Torque Off.

## 1.8 Požární/nouzový režim

Při chodu v požárním/nouzovém režimu lze frekvenční měnič naprogramovat tak, aby obětoval vlastní funkci a zajistil, že aplikace (například větrání nebo vodní čerpadla) budou fungovat co nejdéle.

Před aktivací požárního/nouzového režimu se ujistěte, že jsou správně nakonfigurovány všechny relevantní parametry motoru a aplikace. Společnost Danfoss doporučuje spustit aplikaci z minimálních na maximální otáčky a poté ji úplně zastavit, aby se ověřilo, že funguje správně, aniž by došlo k aktivaci varování nebo poplachů na ovládacím panelu LCP. Nesprávné provedení tohoto kroku před aktivací požárního/nouzového režimu může mít za následek ztrátu záruky. Další pokyny ke konfiguraci požárního/nouzového režimu naleznete ve *skupině parametrů 24-\*\* Aplikční funkce 2* v příručce programátora měniče VLT, nebo se obraťte na místní zastoupení společnosti Danfoss.

## 1.9 Výkonové ztráty a účinnost

Údaje o výkonových ztrátách včetně ztrát při částečném zatížení naleznete na adrese <https://ecosmart.mydrive.danfoss.com>.

# 1 Instalarea

## 1.1 Personalul calificat

Numai personalul calificat are permisiunea de a instala, a pune în funcțiune și a întreține convertizoarele de frecvență Danfoss. Personalul calificat înseamnă persoanele instruite care cunosc și sunt autorizate pentru procedurile de montare și conectare a convertizorului de frecvență în conformitate cu legile și reglementările în vigoare. De asemenea, personalul calificat trebuie să cunoască instrucțiunile și măsurile de siguranță din acest ghid de instalare.

## 1.2 Simboluri referitoare la siguranță

În acest ghid sunt utilizate următoarele simboluri:

### PERICOL

Indică o situație periculoasă care, dacă nu este evitată, va duce la deces sau la răni grave.

### AVERTISMENT

Indică o situație periculoasă care, dacă nu este evitată, poate duce la deces sau la răni grave.

### ATENȚIE

Indică o situație periculoasă care, dacă nu este evitată, poate duce la răni minore sau moderate.

### NOTIFICARE

Indică informații considerate importante, dar care nu sunt asociate cu pericole (de exemplu, mesaje referitoare la deteriorarea obiectelor).

## 1.3 Măsurile de precauție legate de siguranță

### AVERTISMENT



#### LIPSA CUNOȘȚINȚELOR PRIVIND SIGURANȚA

Înainte de a începe instalarea, citiți toate instrucțiunile privind siguranța și măsurile de precauție din acest ghid de instalare. Documente suplimentare, cum ar fi ghidul de operare, ghidul de proiectare și ghidul de programare ale produsului, precum și ghidurile privind siguranța funcțională pot fi accesate prin scanarea codului QR de pe carcasa frontală. Instrumentele pentru PC și MyDrive® ecoSmart™ pot fi descărcate la [www.danfoss.com](http://www.danfoss.com).

Acest ghid oferă informații importante privind prevenirea vătămărilor corporale și a deteriorării echipamentelor sau a sistemului. Ignorarea acestor informații poate duce la deces, la vătămări corporale grave sau la deteriorarea gravă a echipamentelor.

- Asigurați-vă că înțelegeți pe deplin pericolele și măsurile de siguranță din aplicație.
- Înainte de a efectua lucrări electrice la convertizorul de frecvență, blocați și etichetați toate sursele de alimentare ale acestuia.

 **AVERTISMENT****RIDICAREA SARCINILOR GRELE**

Convertizorul de frecvență este greu. Ridicarea incorectă a obiectelor grele poate duce la deces, vătămări corporale sau pagube materiale.

- Respectați reglementările locale privind siguranța pentru ridicare.
- Aflați care este greutatea convertizorului de frecvență. Greutatea este indicată pe partea exterioară a cutiei de transport.
- Dacă utilizați echipamente de ridicare, asigurați-vă că sunt în stare bună de funcționare și că pot ridica în siguranță greutatea convertizorului de frecvență.
- Încercați să ridicați convertizorul de frecvență pentru a verifica centrul de greutate adecvat. Repoziționați punctul de ridicare dacă nu este la nivel.

 **AVERTISMENT****TENSIUNE PERICULOASĂ**

Convertizoarele de frecvență au tensiune periculoasă când sunt conectate la rețeaua de alimentare de c.a. sau de c.c. Dacă instalarea, pornirea și întreținerea nu sunt efectuate de personalul calificat, acest lucru poate duce la vătămări corporale grave sau la deces.

- Numai personalul calificat trebuie să efectueze instalarea, pornirea și întreținerea.

 **AVERTISMENT****TIMP DE DESCĂRCARE**

Convertizorul de frecvență include condensatoare în circuitul intermediar, care pot rămâne încărcate chiar și atunci când convertizorul de frecvență nu este alimentat. Poate exista tensiune înaltă chiar și atunci când indicatoarele luminoase de avertizare sunt stinse. Nerespectarea timpului de așteptare specificat după deconectare, înainte de a efectua lucrări de întreținere sau de reparație, poate avea ca rezultat decesul sau vătămări corporale grave.

- Opriți motorul.
- Deconectați toate sursele de alimentare, inclusiv motoarele cu magneți permanenți.
- Așteptați să se descarce complet condensatoarele. Timpul de descărcare este indicat pe plăcuța indicatoare a convertizorului de frecvență.
- Măsurați nivelul de tensiune pentru a verifica dacă descărcarea este completă.

 **AVERTISMENT****PORNIRE ACCIDENTALĂ**

În cazul în care convertizorul de frecvență este conectat la rețeaua de alimentare de c.a. sau la bornele de c.c., motorul poate porni în orice moment, cauzând apariția pericolului de moarte, vătămări corporale grave și deteriorarea echipamentelor sau pagube materiale.

- Opriți convertizorul de frecvență și motorul înainte de a configura parametrii.
- Asigurați-vă că nu poate fi pornit convertizorul de frecvență de la un comutator extern, de la o comandă prin magistrala de comunicație, de la un semnal de referință de intrare de la panoul de comandă sau după remediarea unei stări de defecțiune.
- Deconectați convertizorul de frecvență de la rețeaua de alimentare ori de câte ori motivele de siguranță fac necesară evitarea unei porniri accidentale a motorului.
- Convertizorul de frecvență, motorul și orice echipament antrenat trebuie să fie pregătite pentru funcționare.

 **ATENȚIE****PERICOL DE DEFECȚIUNE INTERNĂ**

O defecțiune internă în convertizorul de frecvență poate duce la vătămări grave când convertizorul de frecvență nu este închis corespunzător.

- Înainte de alimentare, asigurați-vă că toate capacele de protecție sunt fixate și strânse bine.

 **AVERTISMENT****PERICOL DE ȘOC ELECTRIC ȘI DE INCENDIU**

Convertizorul de frecvență poate produce un curent continuu în conductorul de împământare. Neutilizarea unui dispozitiv de protecție de curent rezidual (RCD) de tip B poate face ca dispozitivul RCD să nu asigure protecția dorită, ceea ce poate cauza deces, incendii sau alte pericole grave.

- Utilizați un dispozitiv RCD.
- Atunci când se utilizează un dispozitiv RCD pentru protecție împotriva electrocutării sau incendiului, utilizați numai un dispozitiv de tip B pe partea de alimentare.

 **AVERTISMENT****TENSIUNE INDUSĂ**

Tensiunea indusă de la cablurile de motor de ieșire care funcționează împreună poate duce la încărcarea condensatoarelor echipamentului, chiar dacă acesta este oprit și blocat/etichetat. Dacă nu se respectă funcționarea separată a cablurilor de motor de ieșire sau dacă nu se utilizează cabluri ecranate, se poate provoca decesul sau vătămarea corporală gravă.

- Trasați separat cabluri de motor de ieșire sau utilizați cabluri ecranate.
- Închideți/etichetați simultan toate convertizoarele de frecvență.

### ⚠️ AVERTISMENT



#### PERICOL DE ELECTROCUTARE

Din cauza capacității de dispersie a cablului de motor ecranat, curenții de dispersie depășesc 3,5 mA. Nelegarea la pământ a convertizorului de frecvență în mod corespunzător poate cauza decesul sau vătămarea corporală gravă.

- Asigurați-vă că dimensiunea minimă a conductorului de împământare este conformă cu reglementările locale privind siguranța pentru echipamentele cu curent de înaltă tensiune.
- Utilizați un conductor de împământare ranforsat conform IEC 60364-5-54 cl. 543.7 sau conform reglementărilor locale privind siguranța pentru echipamentele cu un curent de dispersie > 3,5 mA.

- Pentru împământarea ranforsată:

Utilizați un conductor de împământare cu o secțiune transversală de cel puțin 10 mm<sup>2</sup> (8 AWG) Cu sau de 16 mm<sup>2</sup> (6 AWG) Al sau un conductor de împământare suplimentar cu aceeași secțiune transversală ca și conductorul de împământare original specificat de IEC 60364-5-54, cu o secțiune transversală minimă de 2,5 mm<sup>2</sup> (14 AWG) cu protecție mecanică sau de 4 mm<sup>2</sup> (12 AWG) fără protecție mecanică.

Utilizați un conductor de împământare în interiorul unei carcase sau protejat în alt mod pe toată lungimea sa pentru a preveni deteriorarea mecanică.

Utilizați un conductor de împământare care face parte dintr-un cablu de alimentare cu mai mulți conductori, cu o secțiune transversală minimă a conductorului de împământare de 2,5 mm<sup>2</sup> (14 AWG), care este conectat permanent sau conectat de un conector industrial. Cablul de alimentare cu mai mulți conductori trebuie instalat cu un dispozitiv de detensionare corespunzător.

### ⚠️ ATENȚIE

#### IZOLAȚIA TERMISTORULUI

Există riscul de vătămări corporale sau de avariere a echipamentului.

- Pentru a respecta cerințele de izolație PELV, utilizați doar termistoare cu izolație întărită sau dublă.

### NOTIFICARE

#### CĂLDURA EXCESIVĂ ȘI PAGUBELE MATERIALE

Supracurentul poate genera căldură excesivă în interiorul convertizorului de frecvență. Dacă nu se asigură o protecție la supracurent, există riscul de incendiu și pagube materiale.

- Dispozitivele suplimentare de protecție, cum ar fi protecția la scurtcircuit sau protecția termică a motorului între convertizorul de frecvență și motor, sunt necesare pentru aplicațiile cu mai multe motoare.
- Pentru protecția la scurtcircuit și la supracurent, sunt necesare siguranțe fuzibile de intrare. Dacă siguranțele fuzibile nu sunt montate din fabrică, ele trebuie să fie furnizate de instalator. Consultați documentația specifică produsului pentru specificațiile siguranțelor fuzibile.

### NOTIFICARE

#### PAGUBE MATERIALE

Protecția la suprasarcină a motorului nu este activă în mod implicit. Dacă nu se poate configura funcția ETR, protecția la suprasarcină a motorului nu este asigurată, iar bunurile pot fi avariate dacă motorul se supraîncălzește.

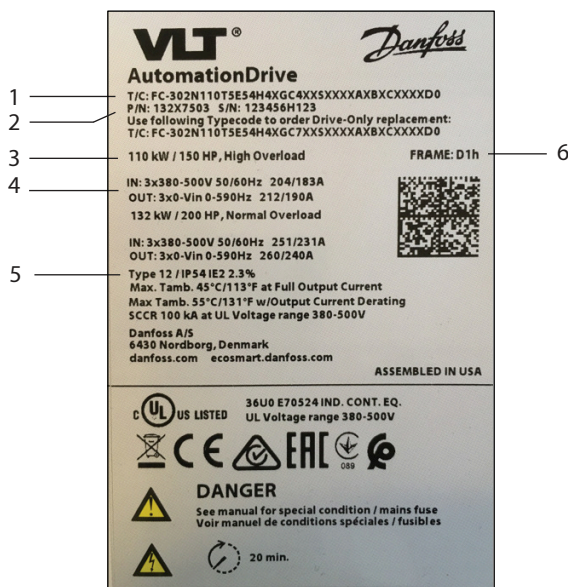
- Pentru a asigura clasa 20 de protecție la suprasarcină a motorului, activați funcția ETR. Pentru mai multe informații, consultați ghidul de programare.

## 1.4 Unelte necesare

- Instrument de ridicare
- Ruletă
- Mașină de găurit cu burghie asortate
- Șurubelnițe (Torx, Phillips, crestate)
- Cheie fixă cu ștuțuri de 7 – 17 mm
- Prelungitoare fișe
- Perforator și/sau clește pentru tablă
- Clește de sertizare

## 1.5 Verificarea pachetului livrat și a conținutului

Asigurați-vă că elementele furnizate și informațiile de pe eticheta produsului corespund comenzii. Eticheta produsului se află pe exteriorul convertizorului de frecvență.



e30bb076.10

Română

Figura 1: Exemplu de etichetă de produs

1	Cod de tip	2	Cod articol și număr de serie
3	Putere nominală	4	Tensiune, frecvență și curent de intrare/ieșire
5	Protecție nominală carcasă	6	Dimensiune carcasă

## 1.6 Instalarea în conformitate cu prevederile directivei privind compatibilitatea electromagnetică

Pentru mai multe informații, consultați ghidul de operare sau proiectare.

- Utilizați cabluri ecranate pentru ieșirea motorului (cablurile neecranate în conducte metalice sunt acceptate), de frână, de curent continuu și cabluri de control.

- Asigurați-vă că utilizați cabluri de motor, de frână și de curent continuu cât mai scurte pentru a reduce nivelul de interferență de la întregul sistem. Lăsați un spațiu liber de cel puțin 200 mm (7,9 in) între intrarea rețelei de alimentare, cablurile motorului și cablurile de control.
- Transportați curentii înapoi în convertizorul de frecvență utilizând o placă de montaj metalică și cleme de legare EMC adecvate. Asigurați un bun contact electric de la placa de montaj prin șuruburile de montare către cadrul metalic al carcasei.
- Dacă punctele de conectare ale cablului ecranat au o diferență de potențial de tensiune, conectați un cablu de egalizare cu impedanță scăzută paralel cu cablul ecranat.
- Dacă se utilizează cu relee, cabluri de control, interfață de semnal, magistrală de comunicație sau frână, cuplați cablul ecranat de carcasă în ambele capete. În cazul în care calea de împământare are o impedanță mare, face zgomot sau poartă curent, deconectați cablul ecranat la un capăt pentru a evita buclele de curent de scurgere în pământ.

## 1.7 Montarea convertizorului de frecvență

### AVERTISMENT



#### PERICOL DE ELECTROCUTARE

Atingerea unui motor, a rețelei de alimentare sau a fișei sau bornei de conectare la c.c. neacoperite poate cauza deces sau vătămări corporale grave.

- Toate capacele de protecție pentru fișe și borne pentru conexiunile motorului, rețelei de alimentare și conexiunile c.c. trebuie instalate în carcasa IP20 pentru a asigura protecția nominală IP20. Dacă nu sunt instalate capace de protecție pentru fișe și borne, se consideră că protecția nominală este IP00.

**Locul de montare este important.** Curentul de ieșire complet este disponibil atunci când sunt îndeplinite următoarele condiții de instalare. Pentru temperaturi și altitudini în afara acestui interval, consultați secțiunea Devaluarea din ghidul de proiectare al produsului.

- Temperatura maximă a mediului ambiant: 45 °C (113 °F) medie timp de 24 de ore și 50 °C (122 °F) timp de 1 oră.
- Temperatura minimă a mediului ambiant: 0 °C (32 °F).
- Altitudine < 1.000 m (3.280 ft) deasupra nivelului mării.

1. Identificați dimensiunea carcasei. Consultați ilustrația 1.
2. Identificați opțiunile care necesită cabluri și configurare suplimentare, utilizând codul de tip. Consultați pasul 1 din secțiunea Ilustrații.

Dacă scanați codul QR de pe carcasă, se deschide pagina de căutare a documentației. Utilizați numărul de opțiune pentru a căuta documentația aferentă. De exemplu, utilizați MCA 120 pentru a căuta documentația pentru VLT® PROFINET MCA 120.

3. Asigurați-vă că mediul de funcționare și instalația electrică respectă standardele următoare.
  - a. Interior fără aer condiționat/grad de poluare 2.
  - b. Supratensiune categoria 3.
4. Consultați diagrama de cablare. Consultați pasul 2 din secțiunea Ilustrații.

Toate cablurile trebuie să respecte reglementările locale și naționale cu privire la cerințele legate de secțiunea transversală și de temperatura mediului ambiant. Conexiunile slăbite pot cauza defecțiuni ale echipamentului sau performanțe reduse. Strângeți bornele conform valorii de cuplu corespunzătoare indicate la pasul 9 din secțiunea Ilustrații.

5. Consultați specificațiile legate de siguranțele fuzibile. Consultați pasul 3 din secțiunea Ilustrații.

Convertizorul de frecvență poate fi adecvat pentru utilizare în cadrul unui circuit capabil să livreze curent nominal de scurtcircuit (SCCR) de cel mult 100 kA la 480/600 V. Consultați ghidul de proiectare al produsului pentru a afla valorile nominale ale întrerupătorului de circuit și ale curentului SCCR de comutare.



6. Consultați specificațiile pentru cablul de alimentare. Consultați pasul 4 din secțiunea Ilustrații.

Utilizați un conductor din cupru cu o valoare nominală de minimum 70 °C (158 °F). Pentru conductorii din aluminiu, consultați ghidul de proiectare al produsului.

7. Instalați convertizorul de frecvență urmând pașii numerotați din secțiunea Ilustrații. Anumite ilustrații/anumiți pași se referă la dimensiuni de carcasă speciale și sunt marcate ca atare.
- Atașați componentele din geanta cu accesorii la convertizorul de frecvență (pasul 5).
  - Montați convertizorul de frecvență pe o suprafață de montare solidă, neinflamabilă, cum ar fi din beton sau metal (pasul 6). Asigurați răcirea corespunzătoare lăsând un spațiu liber minim deasupra și dedesubtul convertizorului de frecvență.

D3h – D4h sunt montate pe perete, D1h – D2h și D5h – D6h sunt montate pe perete sau pe podea, iar D7h – D8h sunt montate pe podea.

- Creați orificii pentru cablu în placa de intrare a cablului (pasul 7).
  - Instalați cablurile de control (pasul 8).
  - Instalați cablurile de motor, de alimentare și de împământare (pasul 9).
  - Direcționați cablurile de control spre partea stângă a convertizorului de frecvență.
8. Fixați carcasa pe convertizorul de frecvență.
9. Efectuați configurarea inițială a convertizorului de frecvență și a motorului. Consultați ghidul de programare al produsului.

Opțiunile de siguranță funcțională necesită cabluri suplimentare și configurarea parametrilor. Pentru informații suplimentare despre instalarea opțiunii de siguranță, consultați ghidul de operare privind siguranța funcțională, cum ar fi Ghidul de operare pentru funcția Safe Torque Off.

## 1.8 Mod incendiu/urgență

Când funcționează în modul incendiu/urgență, convertizorul de frecvență poate fi programat să se sacrifice, astfel încât aplicațiile (de exemplu, ventilația sau pompele de apă) să continue să funcționeze cât mai mult timp.

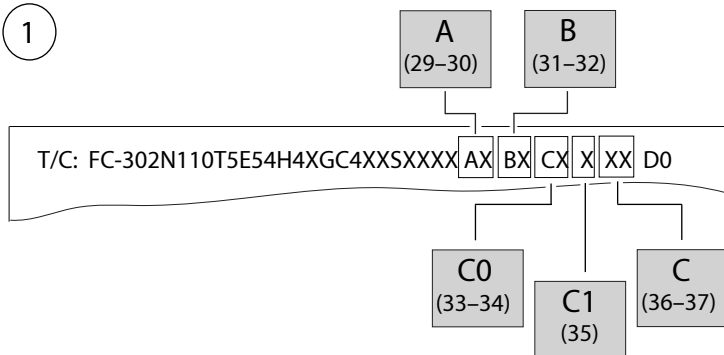
Înainte de activarea modului incendiu/urgență, asigurați-vă că toți parametrii relevanți pentru motor și aplicație sunt configurați corect. Danfoss recomandă rularea aplicației de la viteza minimă la cea maximă și apoi oprirea completă a aplicației pentru a se verifica dacă funcționează corect, fără a declanșa avertismente sau alarme pe panoul de comandă local. Neefectuarea acestui pas înainte de activarea modului incendiu/urgență poate duce la pierderea garanției. Pentru mai multe instrucțiuni privind configurarea modului incendiu/de urgență, consultați **Grupul de parametri 24-\*\* Funcții aplicație 2** din Ghidul de programare VLT sau contactați Danfoss centrul local.

## 1.9 Pierderile de putere și eficiența

Pentru date privind pierderile de putere, inclusiv pierderile de sarcină parțială, consultați <https://ecosmart.mydrive.danfoss.com>.

# Illustrations / Illustrationer / Ilustracije / Bilder / Ilustracije / Kuvat / Illusztrációk / Obrázky / Ilustrații

1



e30b090.10

A (29–30)	
AX	–
A0	VLT® PROFIBUS DP V1 MCA 101
A4	VLT® DeviceNet MCA 104
A6	VLT® CANopen MCA 105
A8	VLT® EtherCAT/IP MCA 124
AG	VLT® LonWorks MCA 108
AJ	VLT® BACnet MCA 109
AK	VLT® BACnet/IP MCA 125
AL	VLT® PROFINET MCA 120
AN	VLT® EtherNet/IP MCA 121
AQ	VLT® POWERLINK MCA 122
AT	VLT® PROFIBUS Converter MCA 113
AU	VLT® PROFIBUS Converter MCA 114
AY	VLT® Powerlink MCA 123

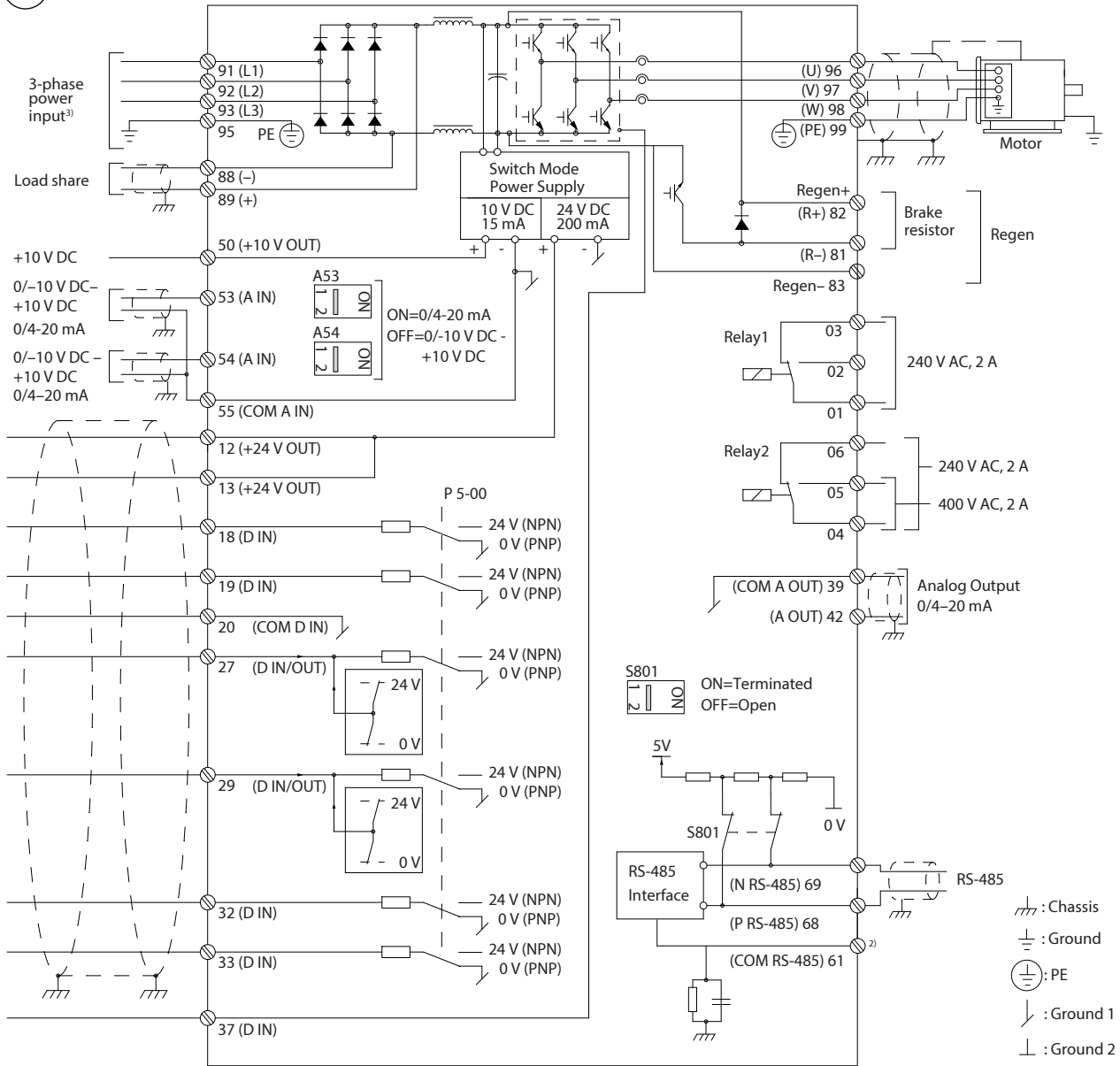
C1 (35)	
X	–
R	VLT® Extended Relay Card MCB 113
7	VLT® Sensorless Safety MCB 159

C0 (33–34) + C (36–37)	
CX_XX	–
C4_XX	VLT® Motion Control Option MCO 305
C4_10	VLT® Synchronizing Controller MCO 350
C4_11	VLT® Position Controller MCO 351

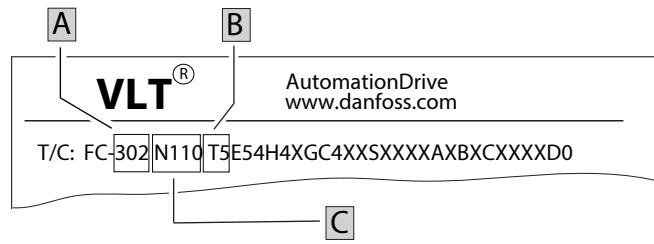
B (31–32)	
BX	–
B0	VLT® Analog I/O Option MCB 109
B2	VLT® PTC Thermistor Card MCB 112
B4	VLT® Sensor Input MCB 114
B6	VLT® Safety Option MCB 150
B7	VLT® Safety Option MCB 151
B8	VLT® Safety Option MCB 152
BK	VLT® General Purpose I/O MCB 101
BP	VLT® Relay Card MCB 105
BR	VLT® Encoder Input MCB 102
BU	VLT® Resolver Input MCB 103
BY	VLT® Extended Cascade Controller MCO 101
BZ	VLT® Safe PLC I/O MCB 108

2

e30bl578.10



3



e30bb089.10

A	B	C		
			IEC  Bussmann P/N	UL  Bussmann P/N
102/103/202	T2	N55K	170M2620	170M2620
102/103/202	T2	N75K	170M2621	170M2621
102/103/202	T2	N90K	170M4015	170M4015
102/103/202	T2	N110	170M4015	170M4015
102/103/202	T2	N150	170M4016	170M4016
102/103/202	T2	N160	170M4018	170M4018
<hr/>				
102/103/202	T4	N110	170M2619	170M2619
102/103/202	T4	N132	170M2620	170M2620
102/103/202	T4	N160	170M2621	170M2621
102/103/202	T4	N200	170M4015	170M4015
102/103/202	T4	N250	170M4016	170M4016
102/103/202	T4	N315	170M4018	170M4018
<hr/>				
102/103/202	T7	N75K	170M2616	170M2616
102/103/202	T7	N90K	170M2619	170M2619
102/103/202	T7	N110	170M2619	170M2619
102/103/202	T7	N132	170M2619	170M2619
102/103/202	T7	N160	170M2619	170M2619
102/103/202	T7	N200	170M4015	170M4015
102/103/202	T7	N250	170M4015	170M4015
102/103/202	T7	N315	170M4015	170M4015
102/103/202	T7	N400	170M4015	170M4015

A	B	C		
			IEC  Bussmann P/N	UL  Bussmann P/N
302	T2	N45K	170M2620	170M2620
302	T2	N55K	170M2621	170M2621
302	T2	N75K	170M4015	170M4015
302	T2	N90K	170M4015	170M4015
302	T2	N110	170M4016	170M4016
302	T2	N150	170M4018	170M4018
<hr/>				
302	T5	N90K	170M2619	170M2619
302	T5	N110	170M2620	170M2620
302	T5	N132	170M2621	170M2621
302	T5	N160	170M4015	170M4015
302	T5	N200	170M4016	170M4016
302	T5	N250	170M4018	170M4018
<hr/>				
302	T7	N55K	170M2616	170M2616
302	T7	N75K	170M2619	170M2619
302	T7	N90K	170M2619	170M2619
302	T7	N110	170M2619	170M2619
302	T7	N132	170M2619	170M2619
302	T7	N160	170M4015	170M4015
302	T7	N200	170M4015	170M4015
302	T7	N250	170M4015	170M4015
302	T7	N315	170M4015	170M4015

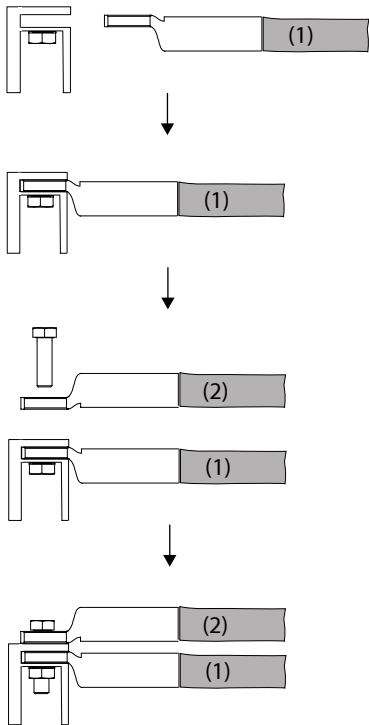
4

	[mm <sup>2</sup> (AWG)]			
	L1/L2/L3	U/V/W	-DC/+DC	R+/R-
D1h	2 x 95 (2 x 3/0)	2 x 95 (2 x 3/0)	2 x 95 (2 x 3/0)	2 x 95 (2 x 3/0)
D2h	2 x 185 (2 x 350 mcm)	2 x 185 (2 x 350 mcm)	2 x 185 (2 x 350 mcm)	2 x 185 (2 x 350 mcm)
D3h	2 x 95 (2 x 3/0)	2 x 95 (2 x 3/0)	2 x 95 (2 x 3/0)	2 x 95 (2 x 3/0)
D4h	2 x 185 (2 x 350 mcm)	2 x 185 (2 x 350 mcm)	2 x 185 (2 x 350 mcm)	2 x 185 (2 x 350 mcm)
D5h	2 x 95 (2 x 3/0)	2 x 95 (2 x 3/0)	2 x 95 (2 x 3/0)	2 x 95 (2 x 3/0)
D6h	2 x 95 (2 x 3/0)	2 x 95 (2 x 3/0)	2 x 95 (2 x 3/0)	2 x 95 (2 x 3/0)
D7h	2 x 185 (2 x 350 mcm)	2 x 185 (2 x 350 mcm)	2 x 185 (2 x 350 mcm)	2 x 185 (2 x 350 mcm)
D8h	2 x 185 (2 x 350 mcm)	2 x 185 (2 x 350 mcm)	2 x 185 (2 x 350 mcm)	2 x 185 (2 x 350 mcm)

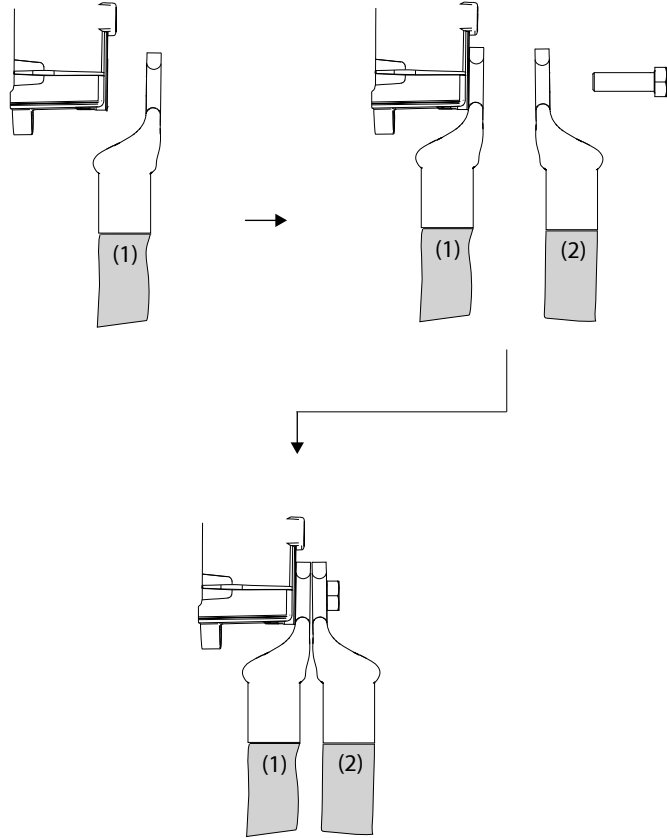
e30bb091.10

**D1h/D3h/D5h/D6h**  
(L1, L2, L3 / U, V, W)

**D2h/D4h/D7h/D8h**  
(L1, L2, L3)



**D2h/D4h/D7h/D8h**  
(U, V, W)



e30bb064.10

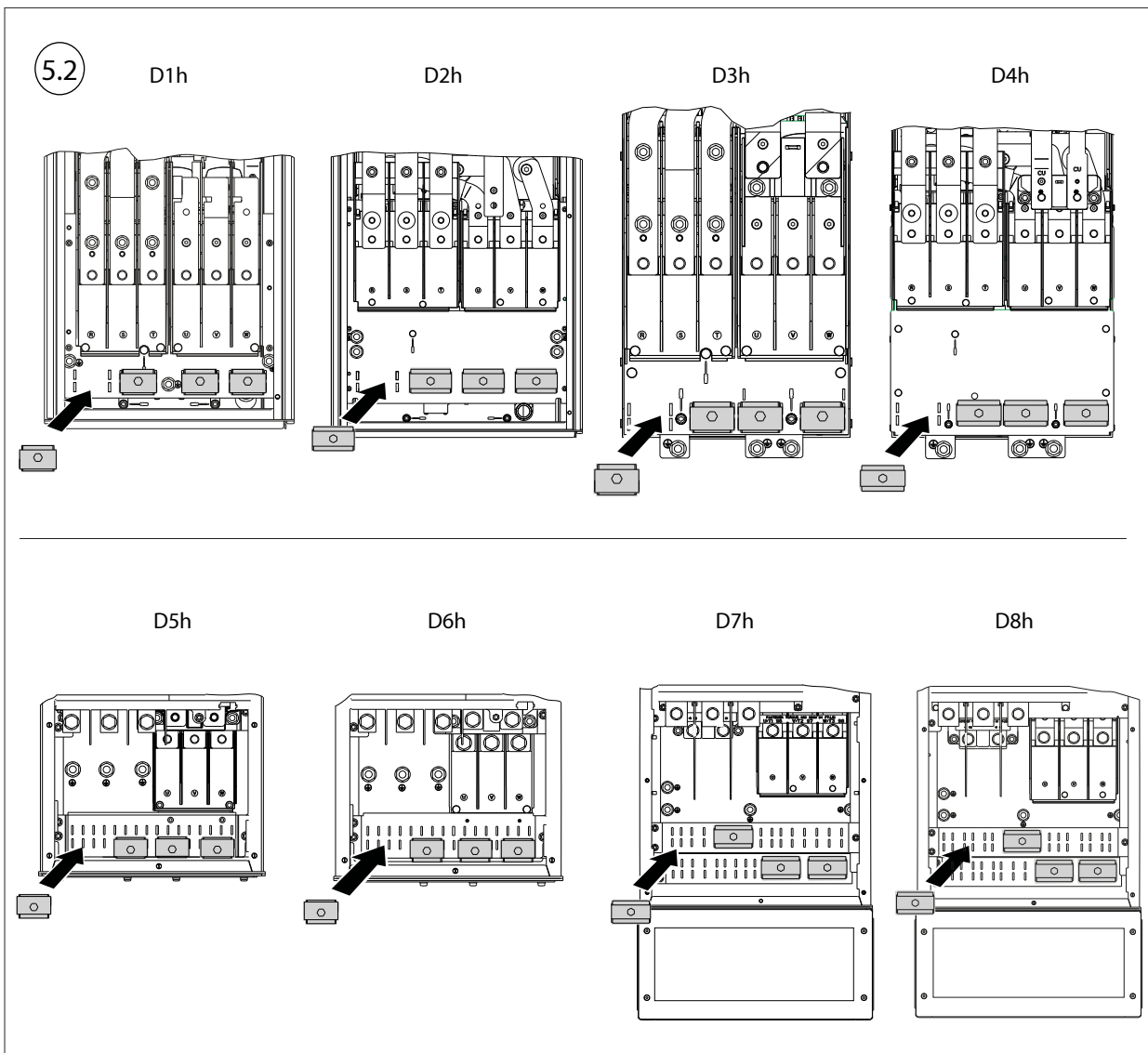
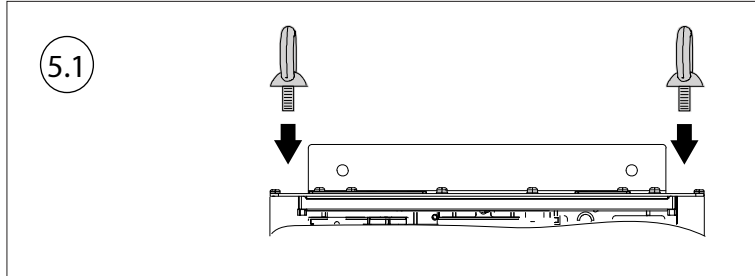


**D1h–D8h**

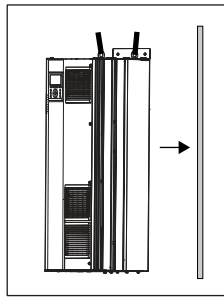


5 D1h–D8h

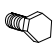
e30bu796.10



6 D1h–D6h

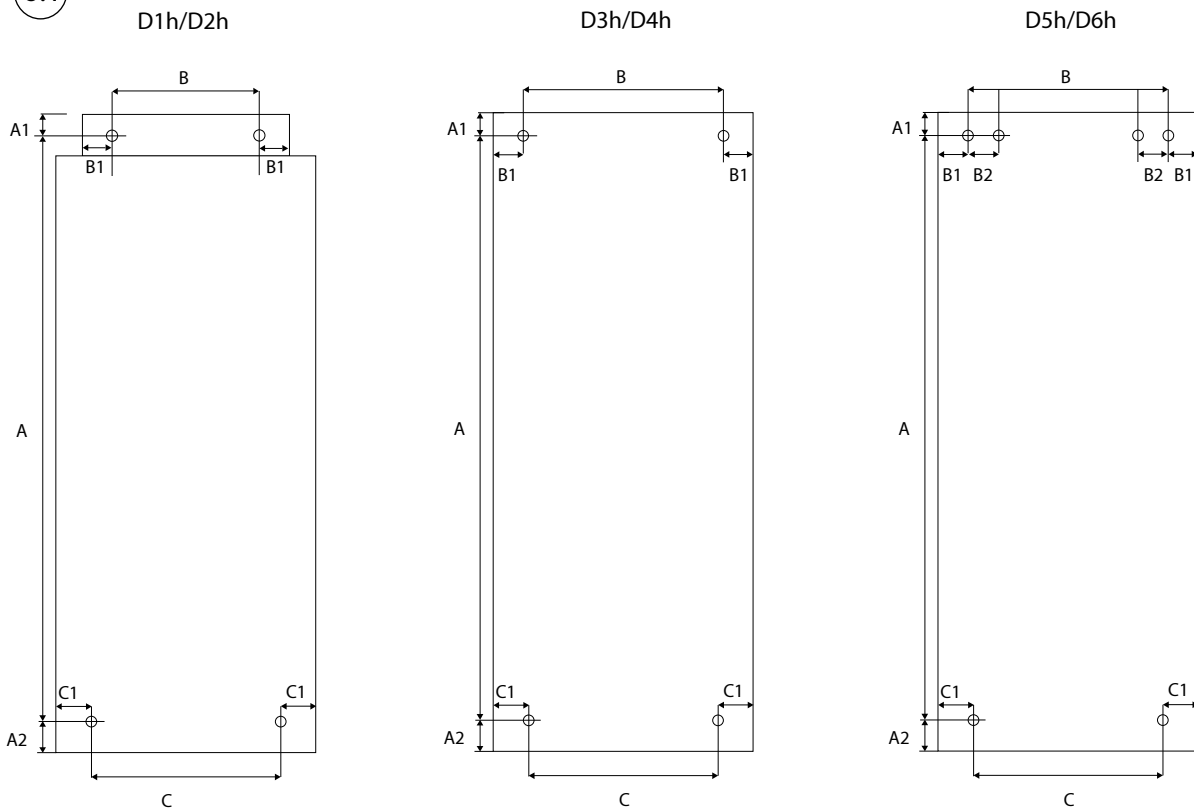


e30bb057.10

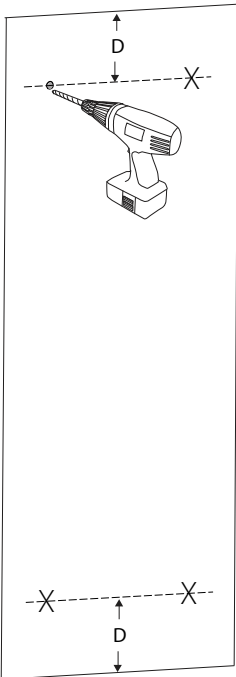
	A	A1	A2	B	B1	B2	C	C1	D	
D1h	844 (33.2)	25 (1.0)	20 (0.8)	180 (7.1)	33 (1.3)	–	200 (7.9)	63 (2.5)	225 (8.9)	4 x M10
D2h	1051 (41.4)	25 (1.0)	20 (0.8)	280 (7.1)	33 (1.3)	–	271 (10.7)	75 (2.9)	225 (8.9)	4 x M10
D3h	844 (33.2)	25 (1.0)	20 (0.8)	180 (7.1)	33 (1.3)	–	200 (7.9)	25 (1.0)	225 (8.9)	4 x M10
D4h	1051 (41.4)	25 (1.0)	20 (0.8)	280 (11.0)	33 (1.3)	–	271 (10.7)	40 (1.6)	225 (8.9)	4 x M10
D5h	1276 (50.2)	25 (1.0)	20 (0.8)	180 (7.1)	33 (1.3)	33 (1.3)	200 (7.9)	64 (2.5)	225 (8.9)	4 x M10
D6h	1615 (63.6)	25 (1.0)	20 (0.8)	280 (11.0)	33 (1.3)	33 (1.3)	271 (10.7)	40 (1.6)	225 (8.9)	4 x M10

[mm (in)]

6.1



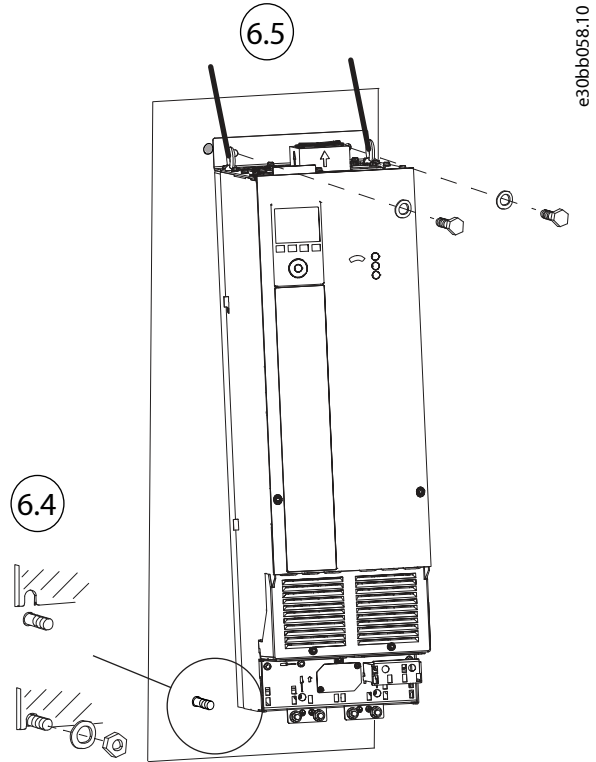
6.2



6.3



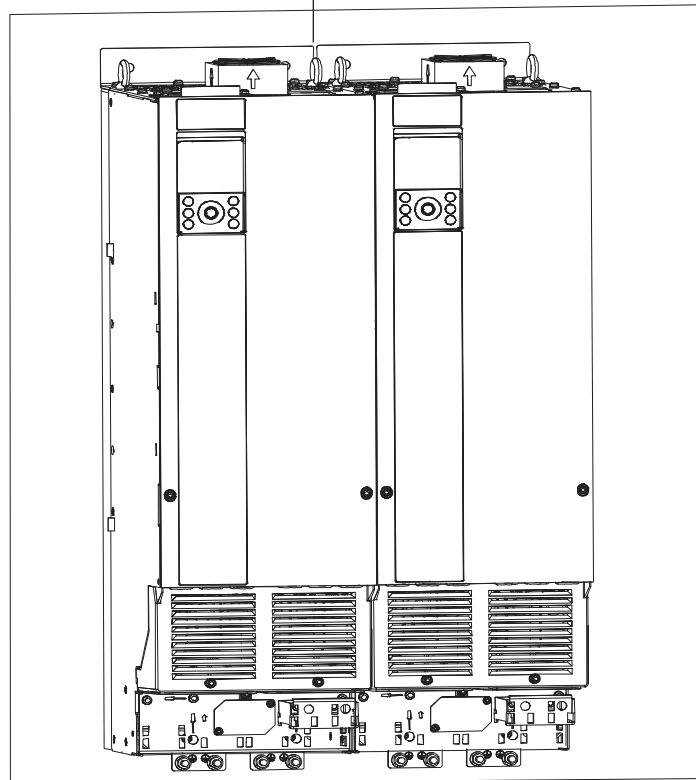
6.5



6.4

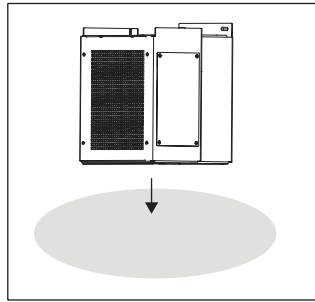
0 mm (0.0 in)

6.6





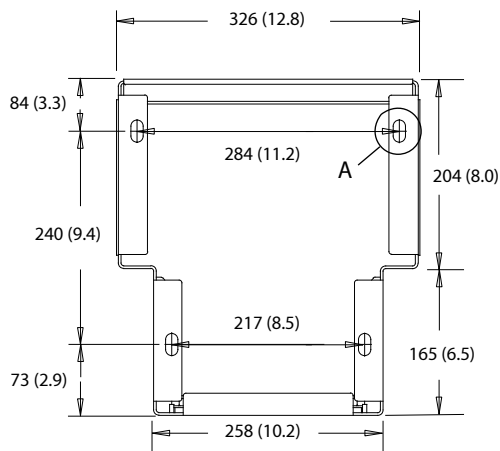
6 D1h–D2h



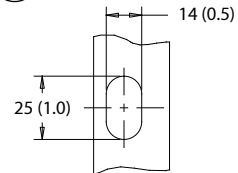
e30bb095.10

6.1

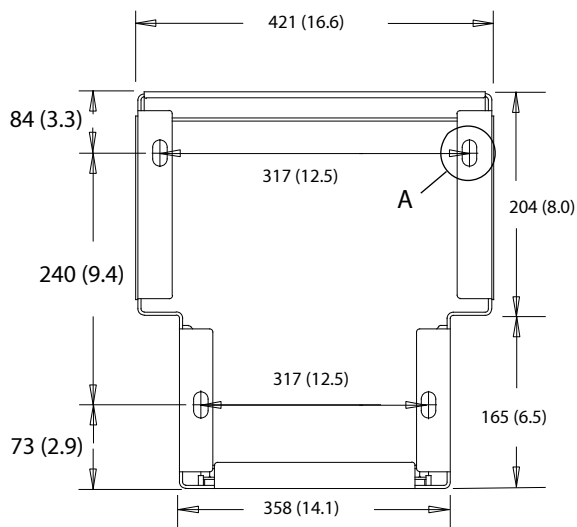
D1h



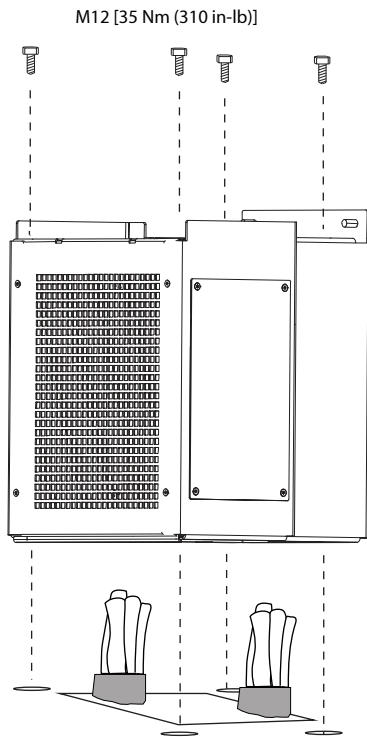
A



D2h

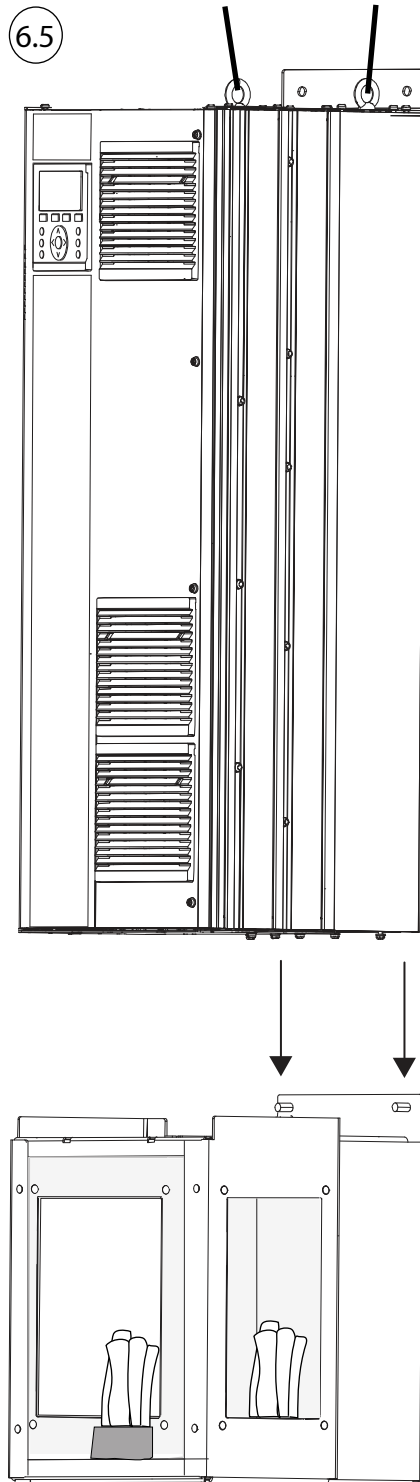


6.2

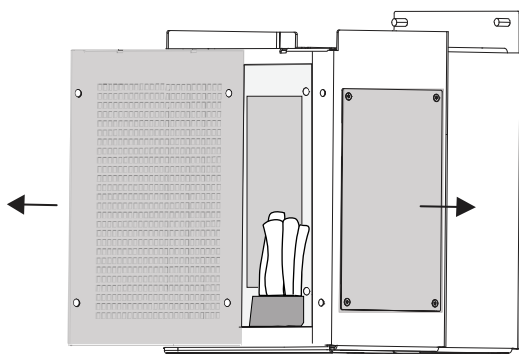


e30bb060.10

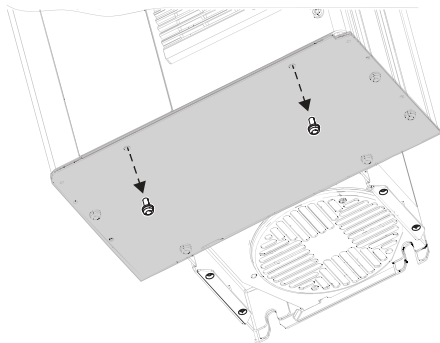
6.5



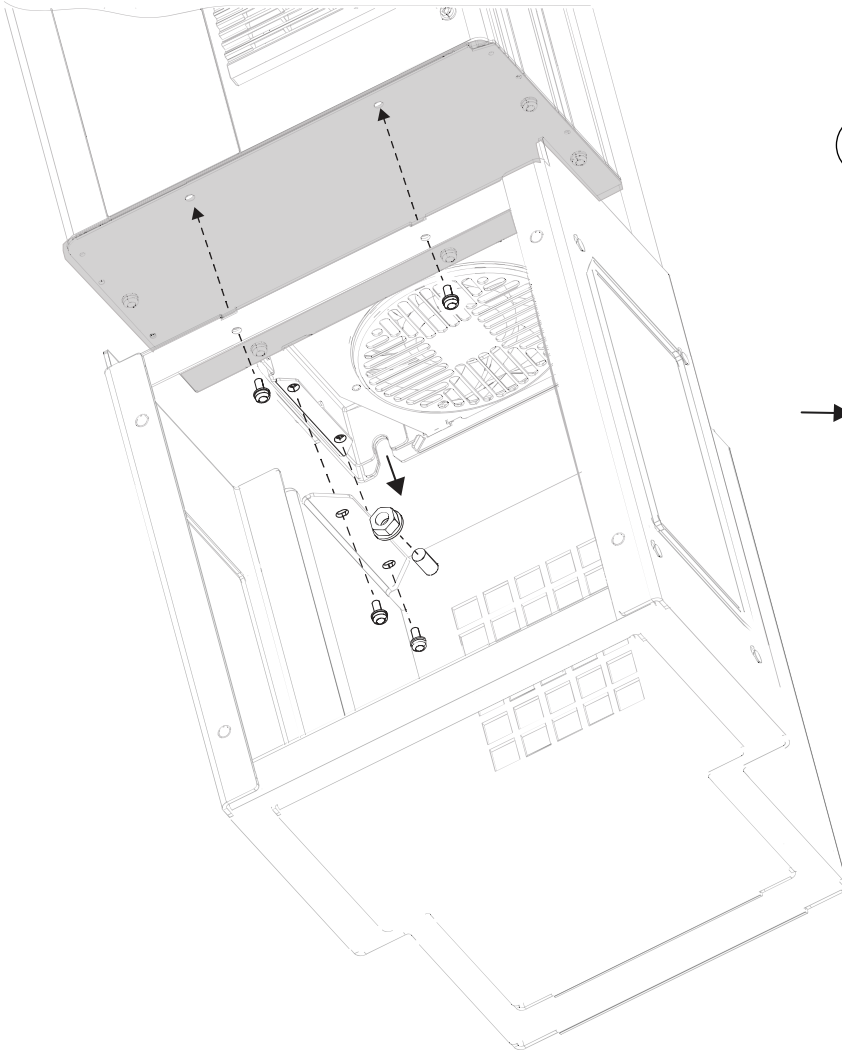
6.3



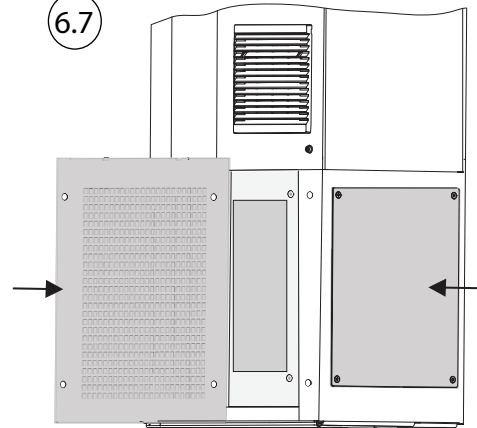
6.4



6.6



6.7



e-30bb097.10

T25

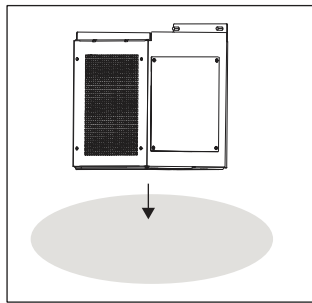


– [2.3 Nm (20 in-lb)]



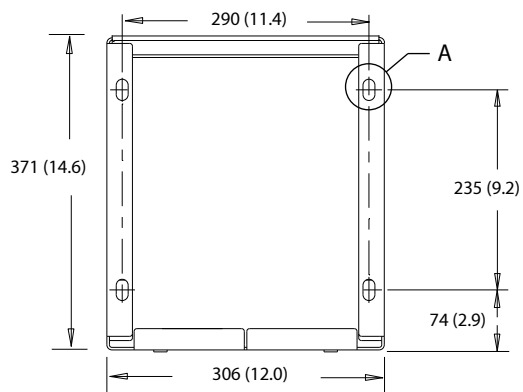
– [19 Nm (168 in-lb)]

6 D5h–D8h

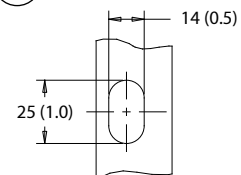


6.1

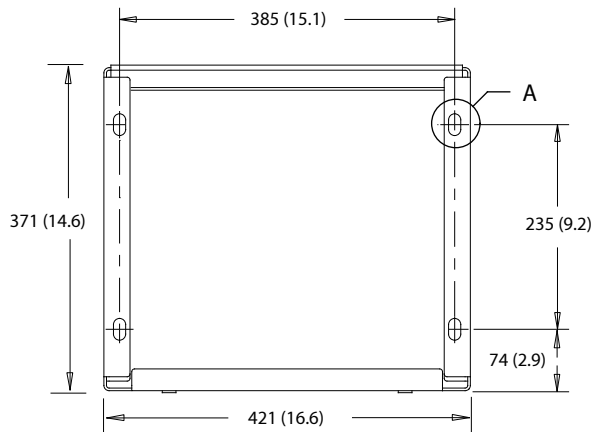
D5h–D6h



A

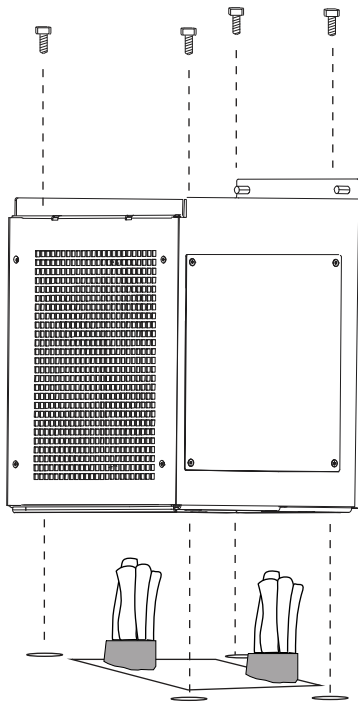


D7h–D8h

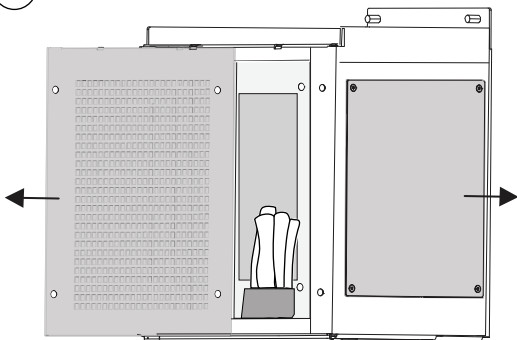


6.2

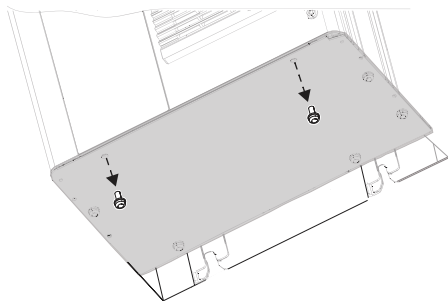
M12 [35 Nm (310 in-lb)]



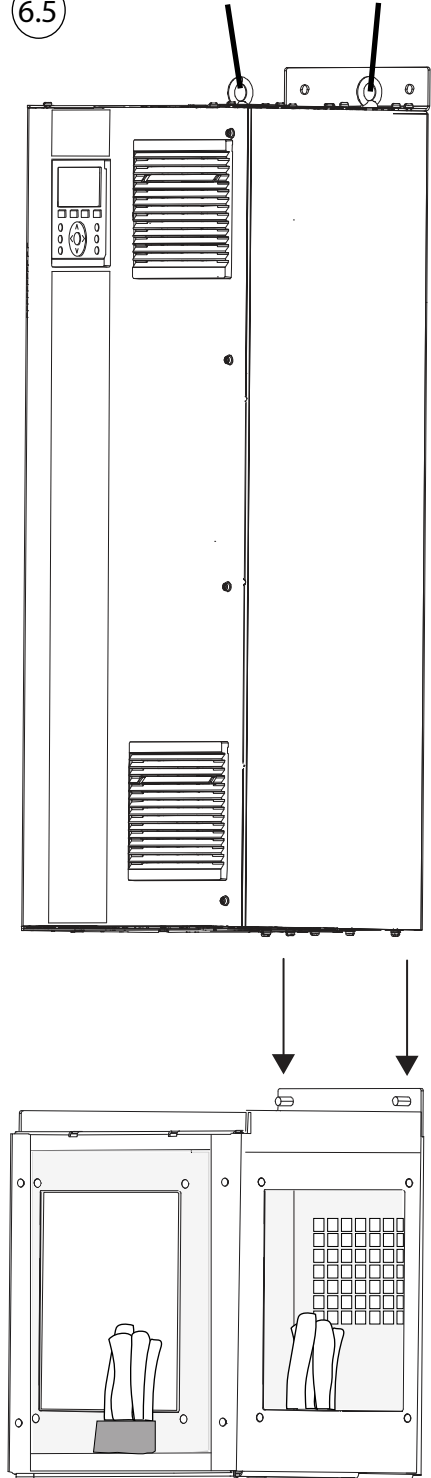
6.3



6.4

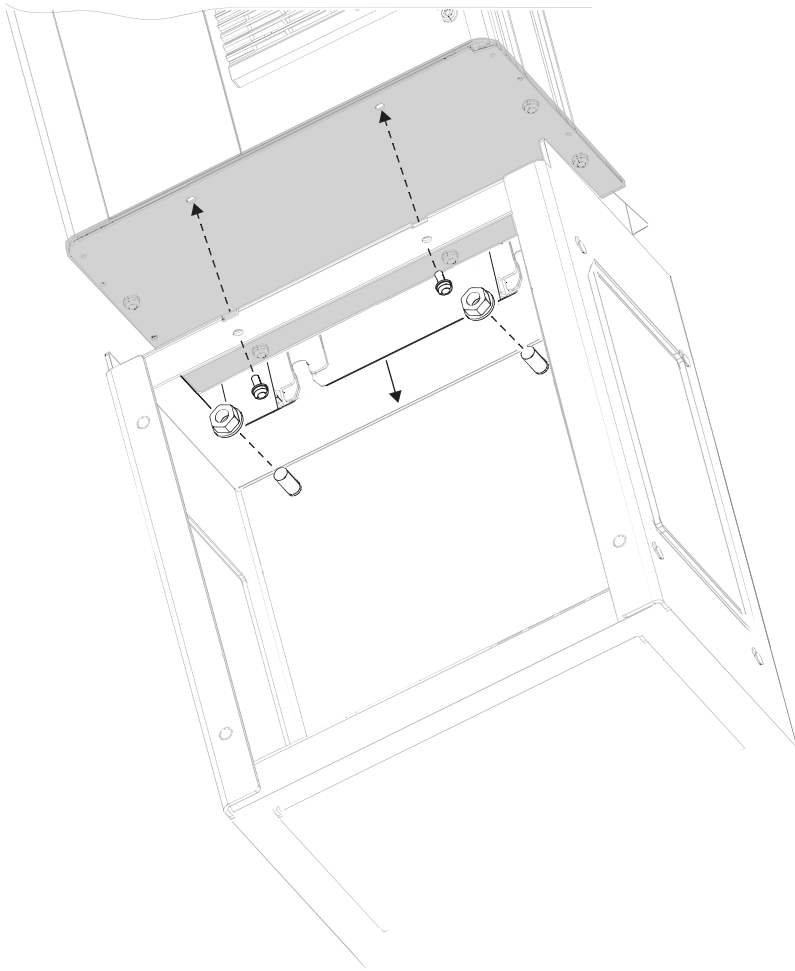


6.5

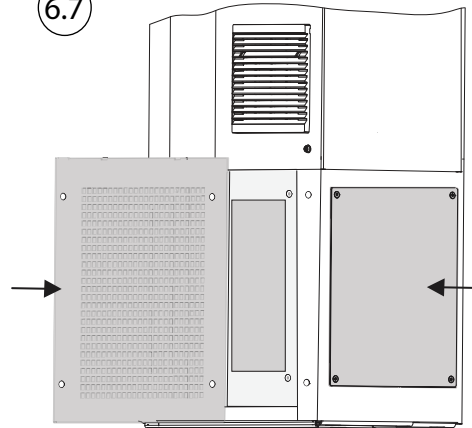


e30bb096.10

6.6



6.7



e30bb061.10

T25



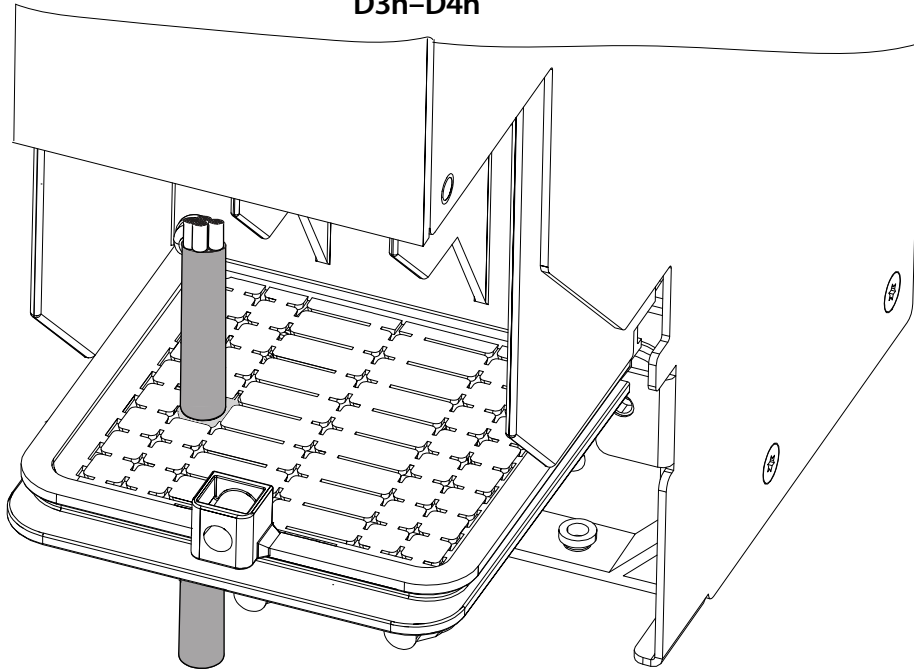
– [2.3 Nm (20 in-lb)]



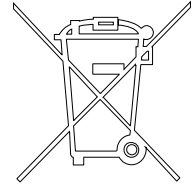
– [19 Nm (168 in-lb)]

7

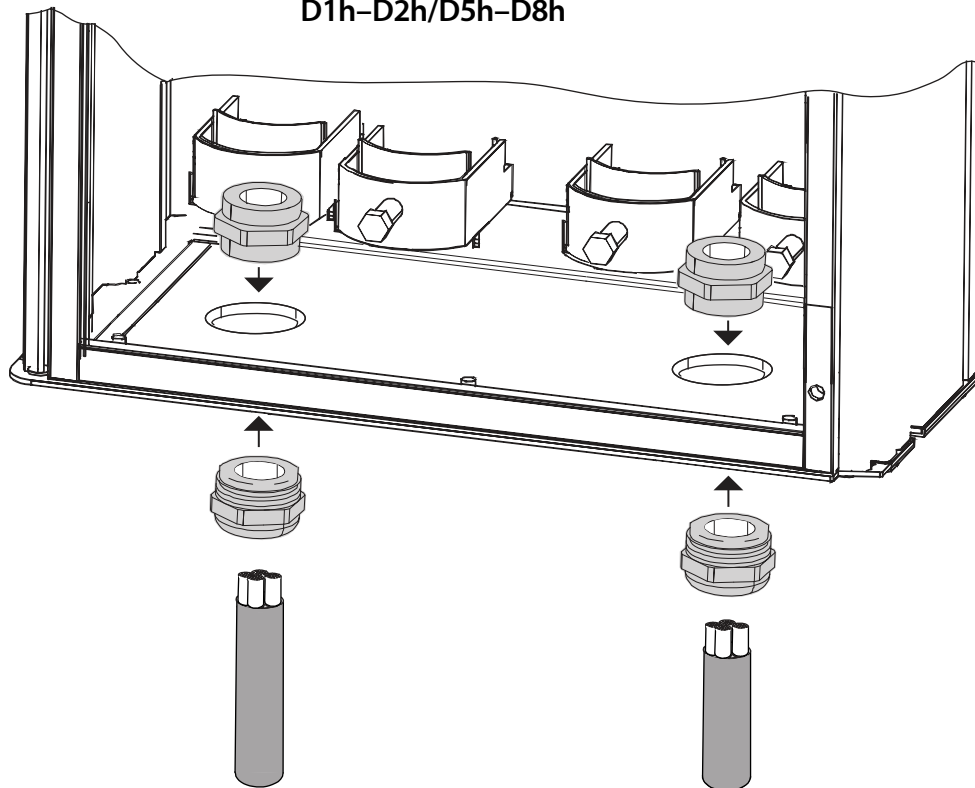
D3h–D4h



e30bb063.10

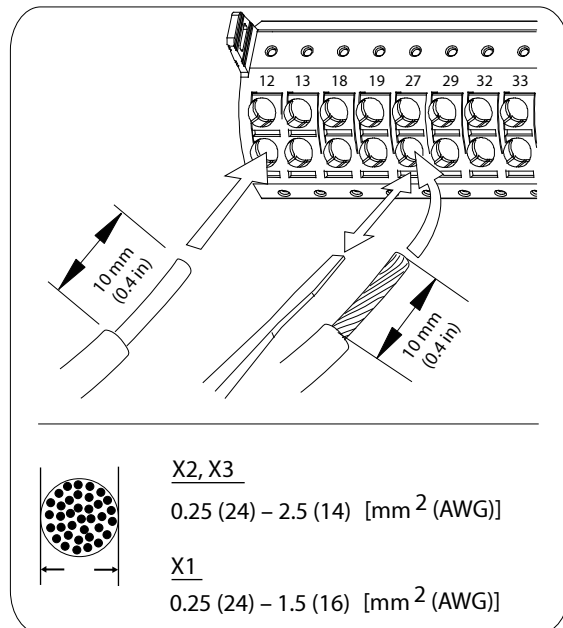
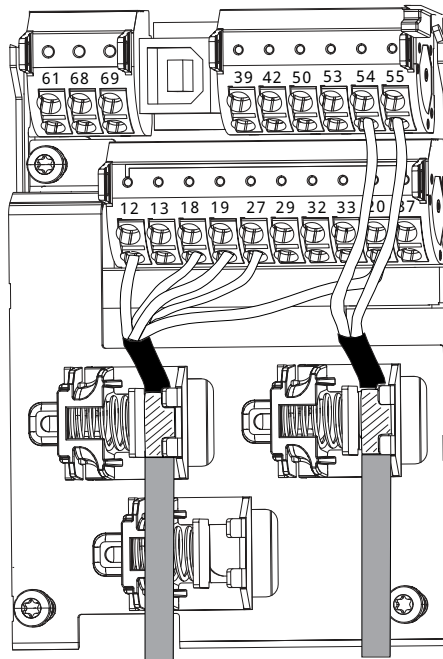
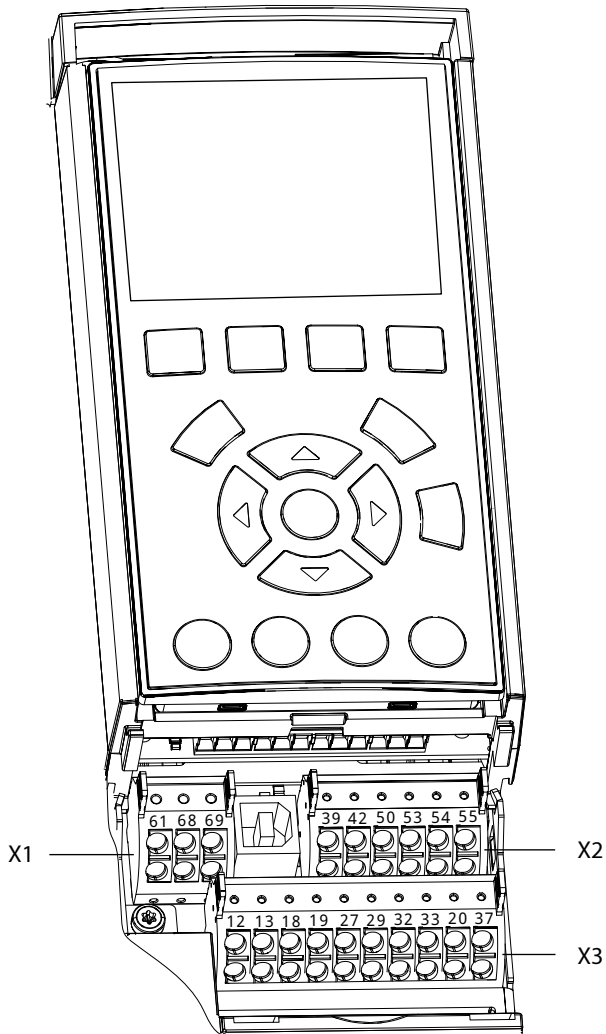


D1h–D2h/D5h–D8h



8 D1h–D8h

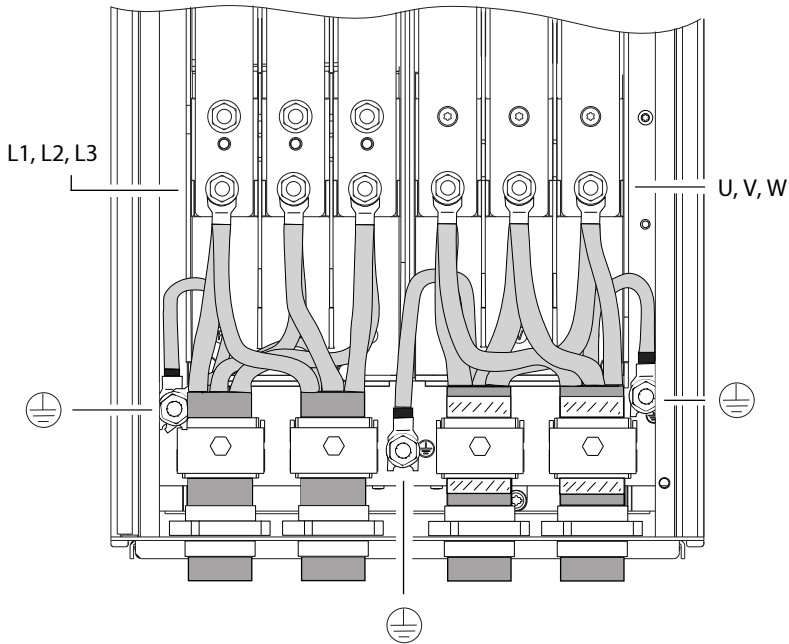
e30bb062.10





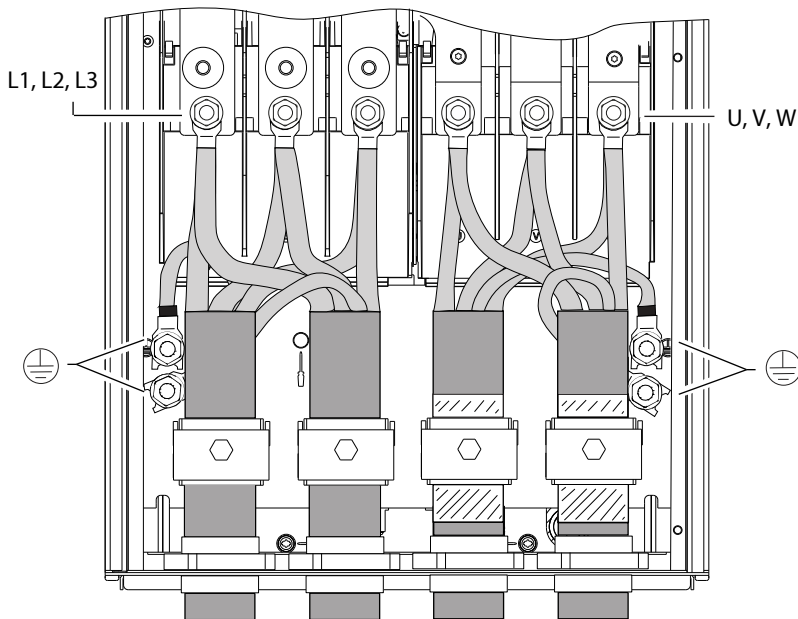
9 D1h

e30bb078.11



D1h	L1, L2, L3		M10 [19 Nm (168 in-lb)]
	U, V, W		M10 [19 Nm (168 in-lb)]
			M8 [9.6 Nm (84 in-lb)]

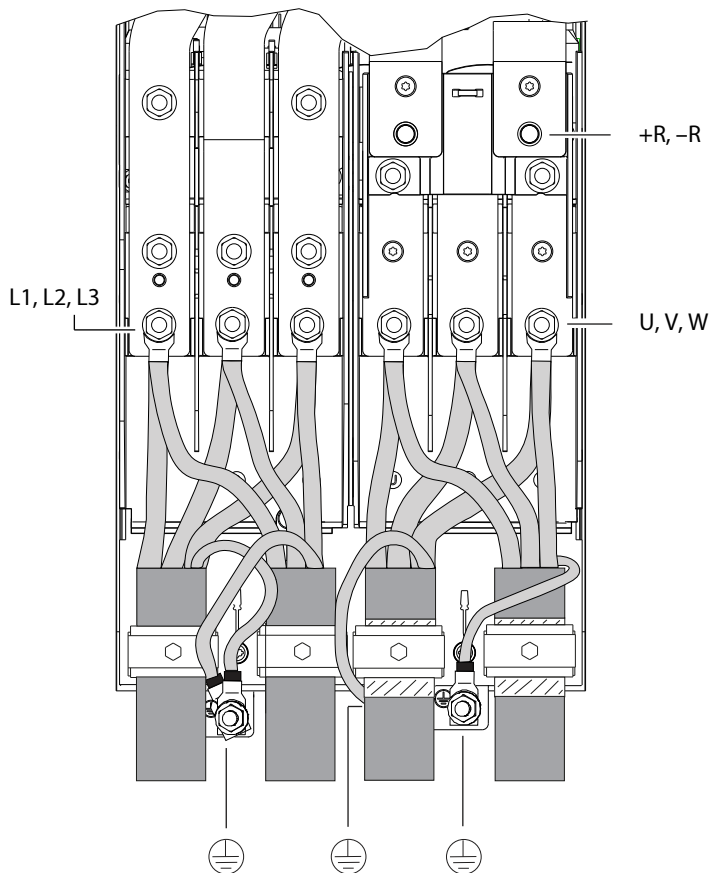
D2h



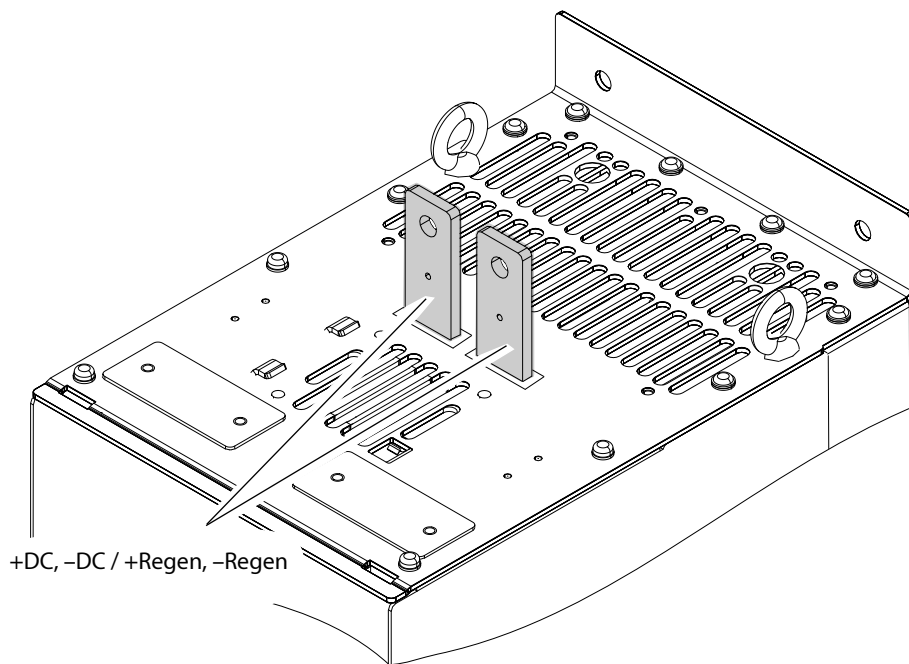
D2h	L1, L2, L3		M10 [19 Nm (168 in-lb)]
	U, V, W		M10 [19 Nm (168 in-lb)]
			M8 [9.6 Nm (84 in-lb)]

D3h

e30bb080.10

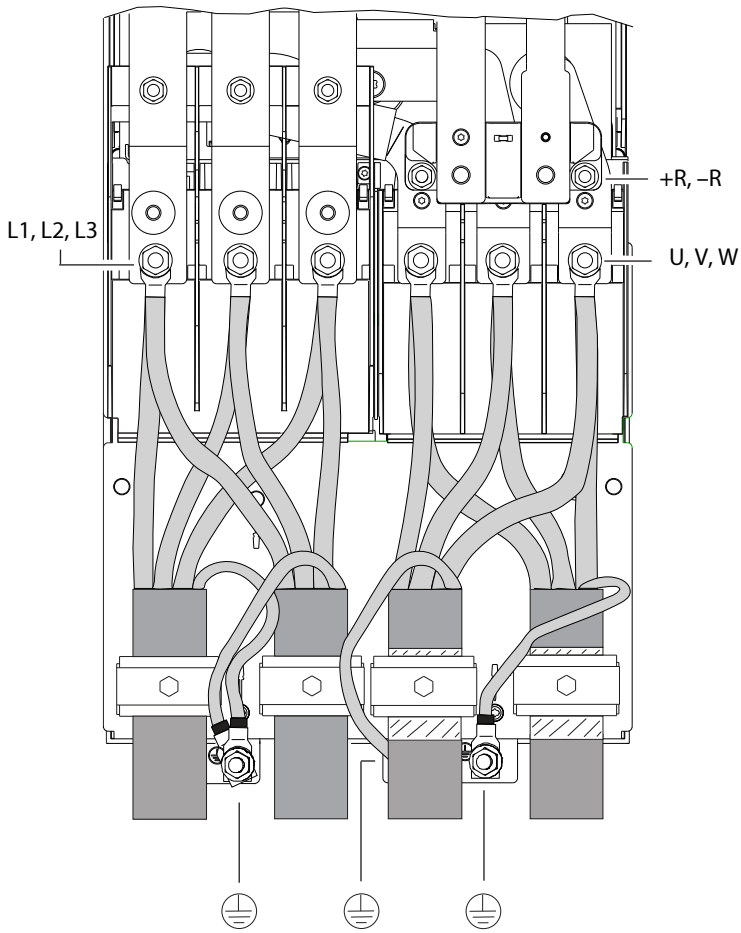


D3h	L1, L2, L3		M10 [19 Nm (168 in-lb)]
	U, V, W		M10 [19 Nm (168 in-lb)]
	+R -R		M10 [19 Nm (168 in-lb)]
	+Regen -Regen		M10 [19 Nm (168 in-lb)]
	+DC -DC		M10 [19 Nm (168 in-lb)]
			M8 [9.6 Nm (84 in-lb)]

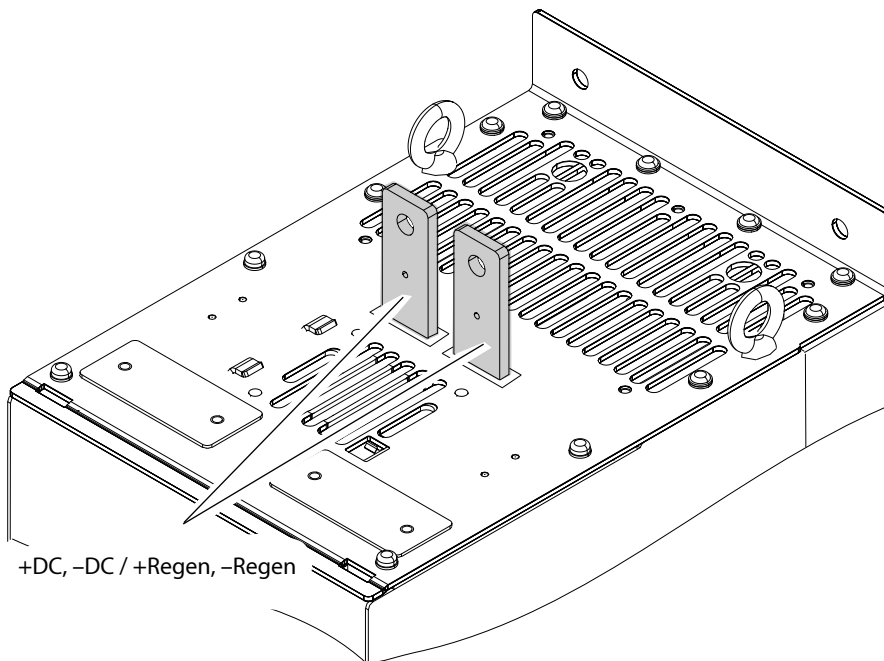


D4h

e30bb083.10



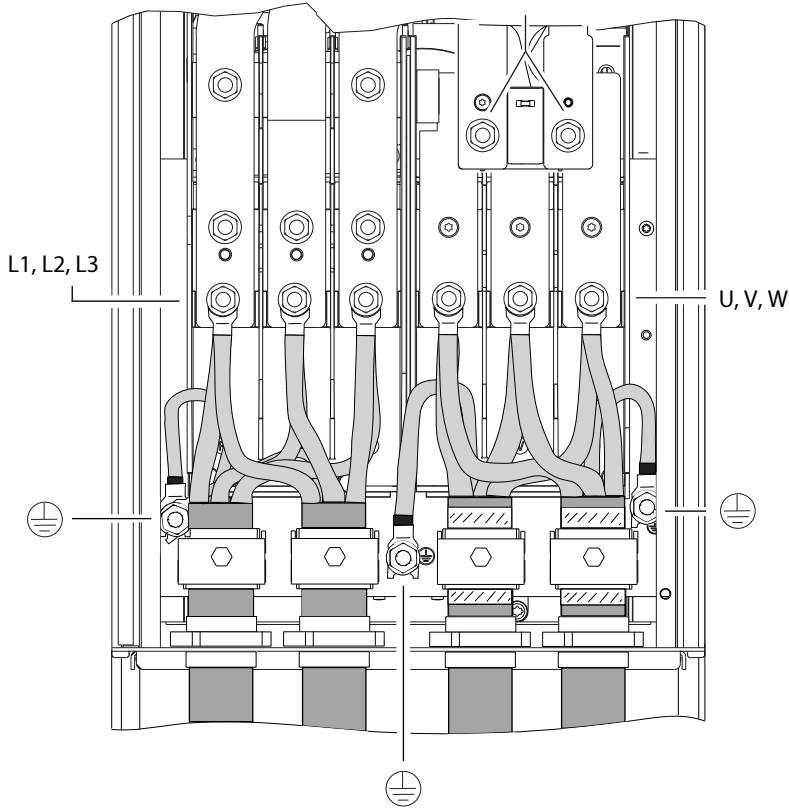
D4h	L1, L2, L3	M10 [19 Nm (168 in-lb)]
	U, V, W	M10 [19 Nm (168 in-lb)]
	+R -R	M10 [19 Nm (168 in-lb)]
	+Regen -Regen	M10 [19 Nm (168 in-lb)]
	+DC -DC	M10 [19 Nm (168 in-lb)]
		M8 [9.6 Nm (84 in-lb)]



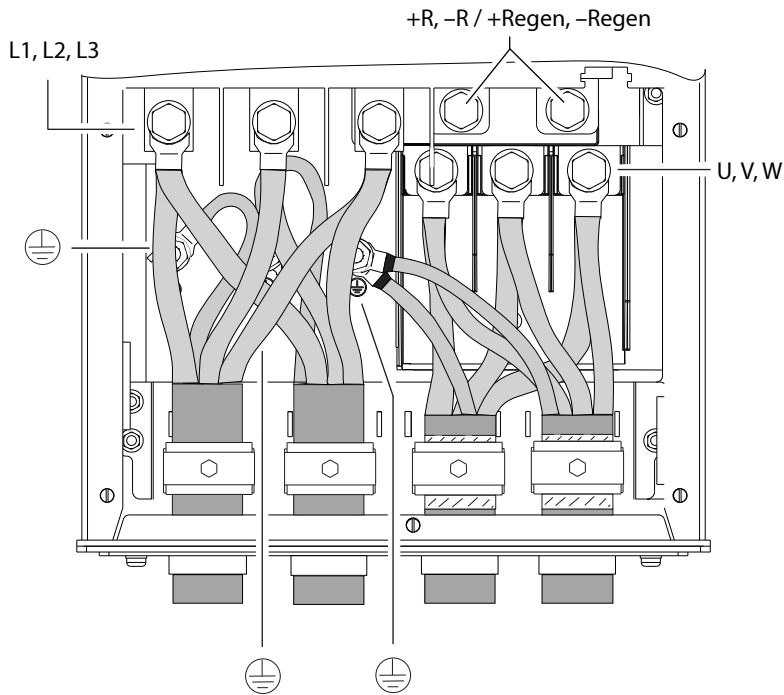
D5h

+R, -R / +Regen, -Regen

e:30bb082.10

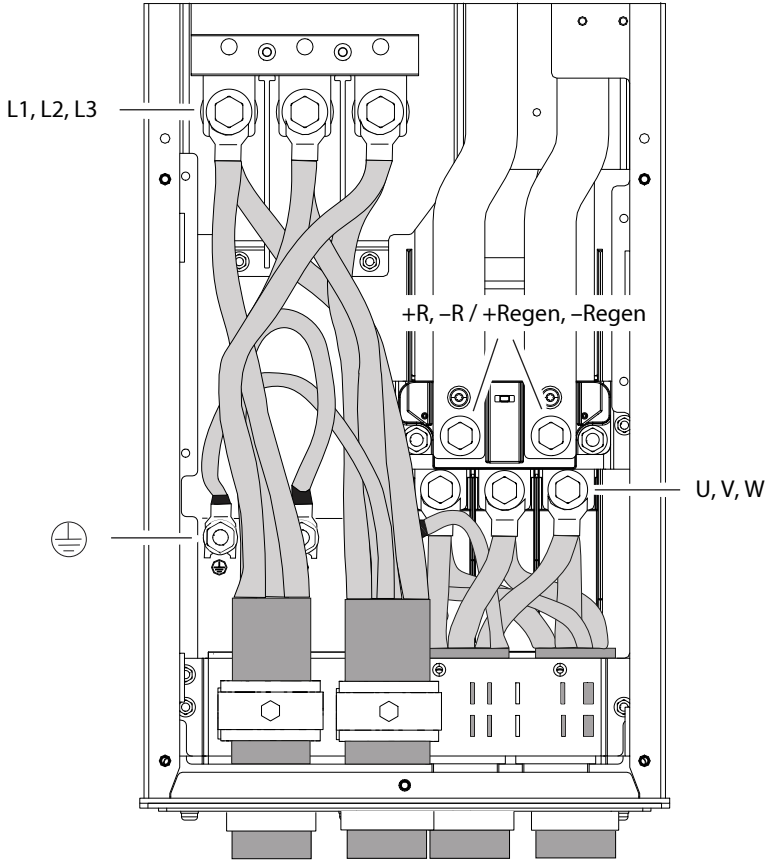


D5h	L1, L2, L3		M10 [19 Nm (168 in-lb)]
	U, V, W		M10 [19 Nm (168 in-lb)]
	+R -R		M10 [19 Nm (168 in-lb)]
	+Regen -Regen		M10 [19 Nm (168 in-lb)]
			M8 [9.6 Nm (84 in-lb)]



D6h

e30bl948.10

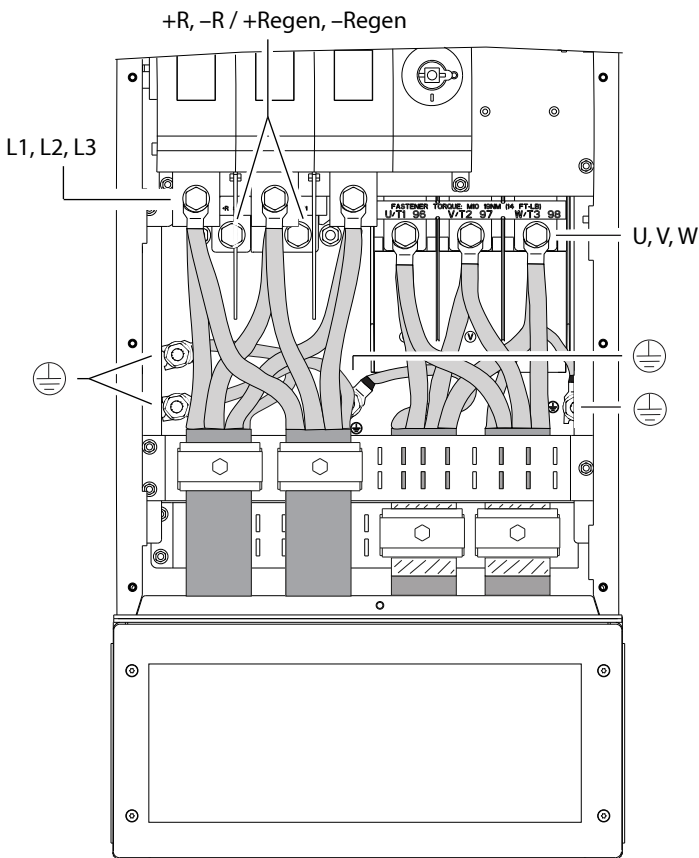
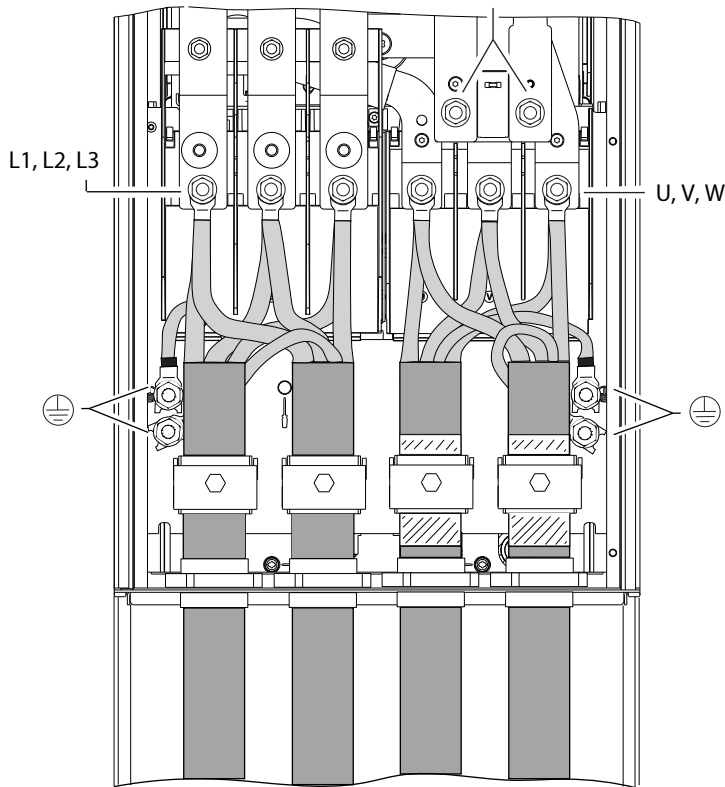


D6h	L1, L2, L3		M10 [19 Nm (168 in-lb)]
	U, V, W		M10 [19 Nm (168 in-lb)]
	+R -R		M10 [19 Nm (168 in-lb)]
	+Regen -Regen		M10 [19 Nm (168 in-lb)]

D7h

+R, -R / +Regen, -Regen

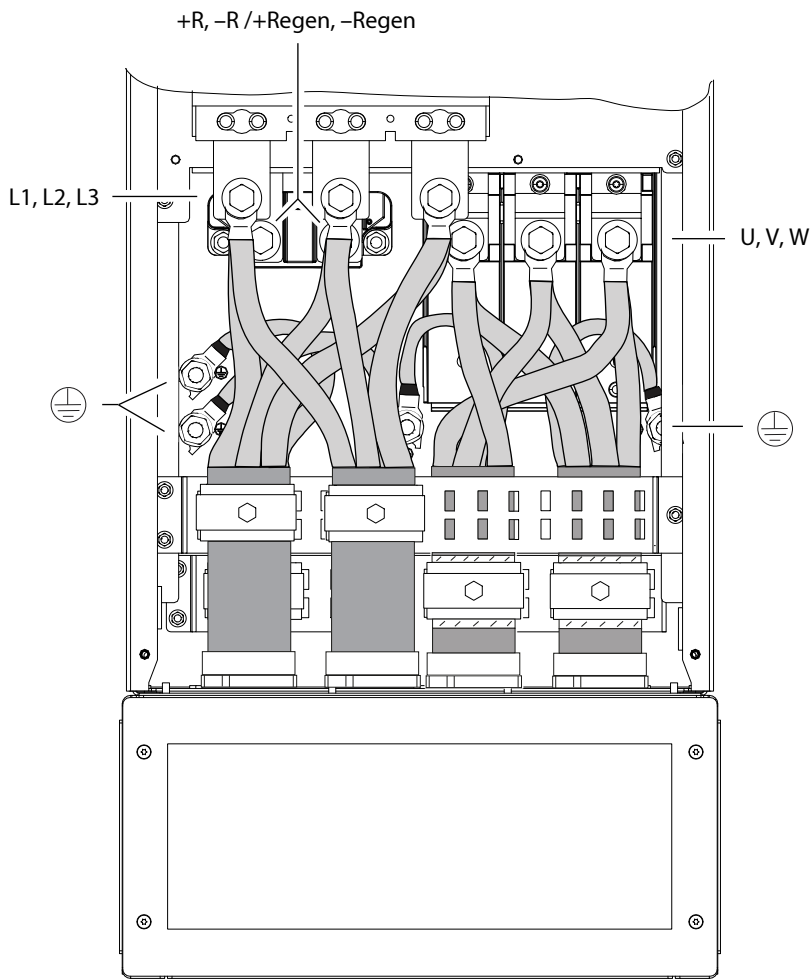
e30bb085.10



D7h	L1, L2, L3		M10 [19 Nm (168 in-lb)]
	U, V, W		M10 [19 Nm (168 in-lb)]
	+R -R		M10 [19 Nm (168 in-lb)]
	+Regen -Regen		M10 [19 Nm (168 in-lb)]

D8h

e30h577.10



D8h	L1, L2, L3		M10 [19 Nm (168 in-lb)]
	U, V, W		M10 [19 Nm (168 in-lb)]
	+R -R		M10 [19 Nm (168 in-lb)]
	+Regen -Regen		M10 [19 Nm (168 in-lb)]
			M8 [9.6 Nm (84 in-lb)]











Danfoss A/S  
Ulsnaes 1  
DK-6300 Graasten

Any information, including, but not limited to information on selection of product, its application or use, product design, weight, dimensions, capacity or any other technical data in product manuals, catalog descriptions, advertisements, etc. and whether made available in writing, orally, electronically, online or via download, shall be considered informative, and is only binding if and to the extent, explicit reference is made in a quotation or order confirmation. Danfoss cannot accept any responsibility for possible errors in catalogs, brochures, videos and other material. Danfoss reserves the right to alter its products without notice. This also applies to products ordered but not delivered provided that such alterations can be made without changes to form, fit or function of the product. All trademarks in this material are property of Danfoss A/S or Danfoss group companies. Danfoss and the Danfoss logo are trademarks of Danfoss A/S. All rights reserved.

M00369

