



General Information



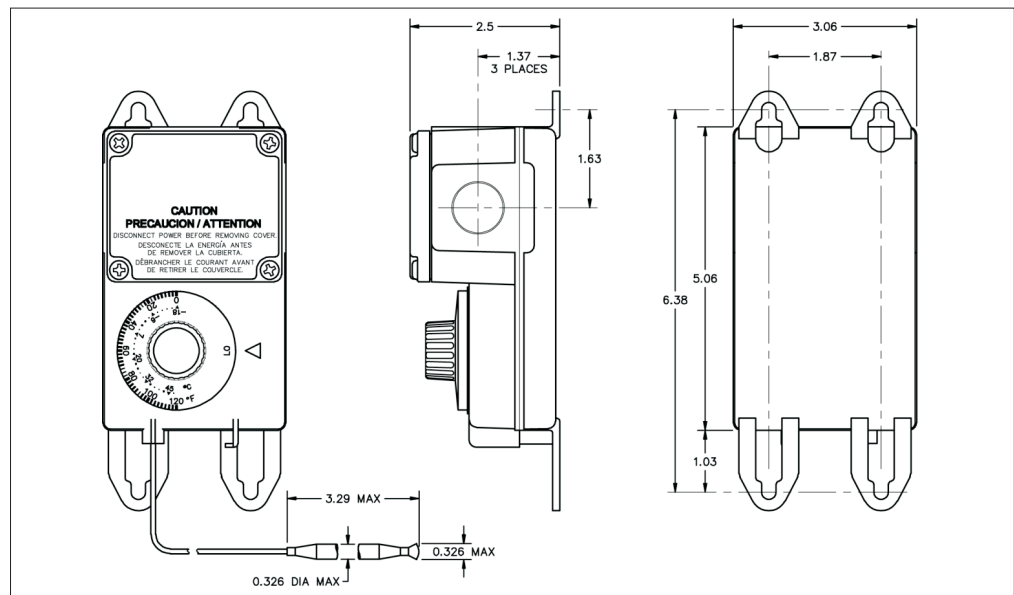
The PX thermostat is designed for temperature control applications (pipe freeze protection, roof & gutter de-icing or snow melting) in ordinary areas. The unit is housed in a weatherproof NEMA 4X enclosure. The PX thermostat can be used in an ambient-sensing mod, line sensing mode or used to control a contactor coil.

- Automatic activation-reduced operational costs
- Remote bulb temperature sensing
- Large, readily visible dial
- Rugged, weather-resistant, water-tight enclosure
- Built from corrosion-resistant materials

Technical Data

Supply:	120-277V
Max. Load:	25A @ 120-240V, 22A @ 277V, resistive
Temperature Range:	0°F to 120°F (-18°C to 49°C)
Max. Exposure Temp.:	140°F (60°F)
Enclosure Type:	NEMA 4X, NEC Article 547 Compliant
Mounting:	Wall mounted
Sensor:	10 ft. (3 m) stainless steel capillary/bulb
Dimensions (HxWxD):	6.38" x 3.06" x 2.5" (162mm x 78mm x 64mm)
Switch:	Single pole, double throw SPDT

Product Dimensions





Installation Notes

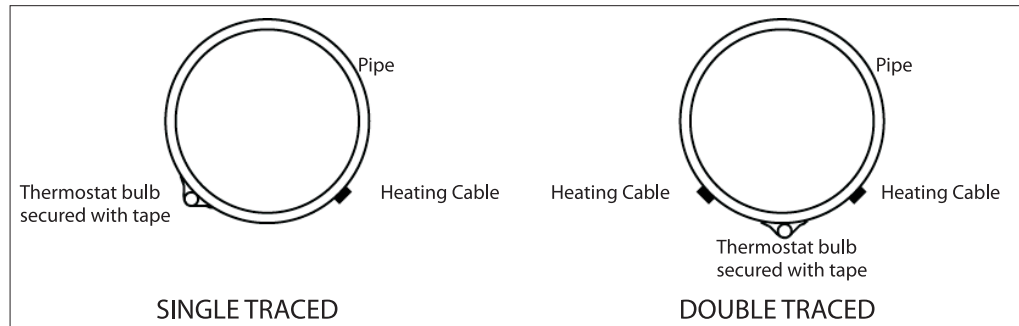
Installation must be made by a trained, qualified service person in accordance with the NEC and all applicable local codes and ordinances.

A drip loop should be provided to prevent water and other liquids from entering the thermostat housing. The cord or conduit connections to the enclosure must be water and dust-tight.

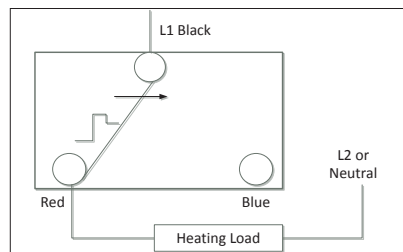
Positioning (Ambient)

Locate the thermostat for optimum temperature sensing. Thermostat operation will be affected by unusual heat or cold, such as direct sunlight, near windows or doors, etc.

Positioning (Line Sensing)



Wiring Connections Diagram



Ordering Information

Part No.	Description
088L3422	PX Weatherproof Thermostat With Water-Tight Enclosure

Applications

This product is for use with these Danfoss cables:

PX Pipe Freeze Protection Cables
RX and RX-C Roof & Gutter De-Icing Cables

Warranty

Danfoss offers a two year limited warranty covering defects in workmanship and materials.

Technical Services

For technical questions, please contact Danfoss Heating Division North America at **1-888-DANFOSS (326-3677)**. More information on Danfoss Electric Heating products is available at www.LX.Danfoss.com.

Danfoss can accept no responsibility for possible errors in catalogs, brochures, other printed materials, and website information. Danfoss reserves the right to alter its products without notice. This also applies to products already on order provided that such alteration can be made without subsequent changes being necessary in specifications already agreed upon. All trademarks in this material are property of the respective companies. Danfoss and Danfoss logotype are trademarks of Danfoss A/S. All rights reserved.



Danfoss
Toronto
 Tel: 1-888-DANFOSS (326-3677)
 Tel.: 905-285-2050
 Fax: 905-285-2055
www.LX.Danfoss.com

Danfoss PX
 BRINGING WARMTH TO LIFE