



General Information



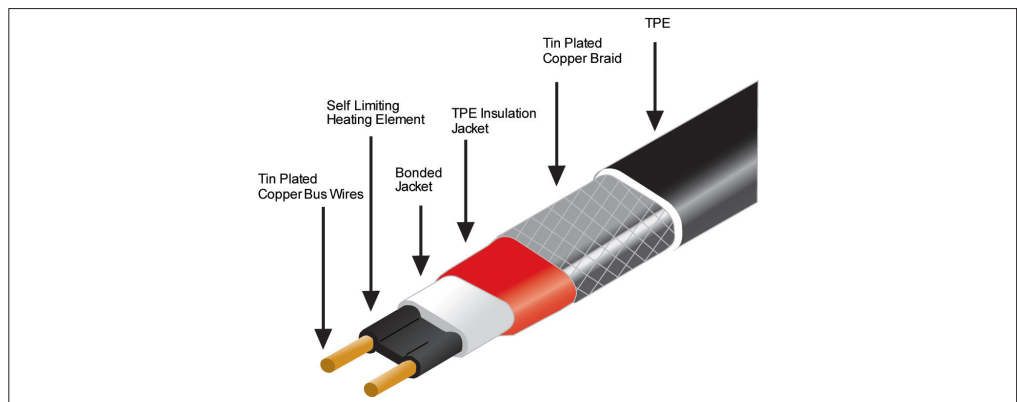
The Danfoss PX-F self-regulating heating cables provide the solution to basic freeze protection applications. The self-regulating Danfoss PX-F series ensure maximum energy efficiency by producing heat only when and where it is needed as it adjusts the power output to the varying conditions along the length of the pipe.

- Cable can be overlapped without creating hot spots or causing a burn out
- Can be cut and spliced in the field, simplifying the installation process and reducing waste
- Rugged 16 AWG bus cable with longer runs
- Wide variety of wattages
- Limited ten year warranty

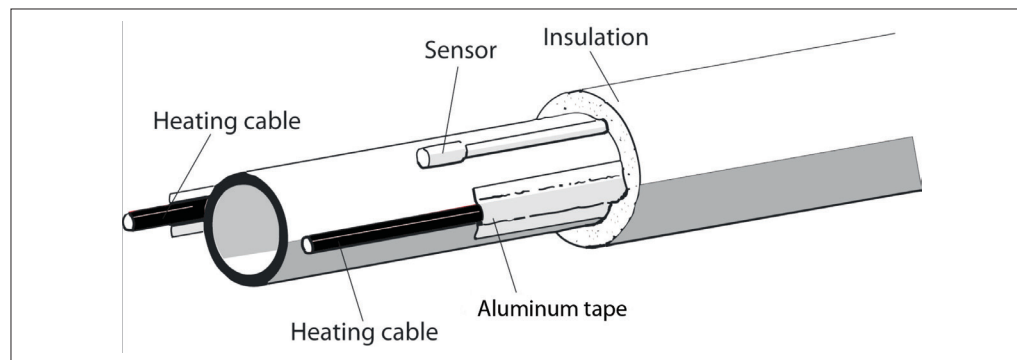
Technical Data

Available power outputs:	3, 5, 8, 10 W/ft. at 240 VAC and 120 VAC at 50°F (+10°C) (10, 15, 25, 33) W/m at 240 VAC and 120 VAC at 50°F (+10°C)
Cable Diameter:	0.45 x 0.216" (11.5 x 5.5 mm)
Rated voltage:	120V-277V
Minimum bending radius:	1" (25 mm) (radius to the inside of the tape)
Max. rated temperature:	150°F (65°C) Powered 185°F (85°C) Un-powered
Bus wire type:	16 AWG, (1.25 mm ²), Tinned Copper

Product Illustration - Cable Cross-Section



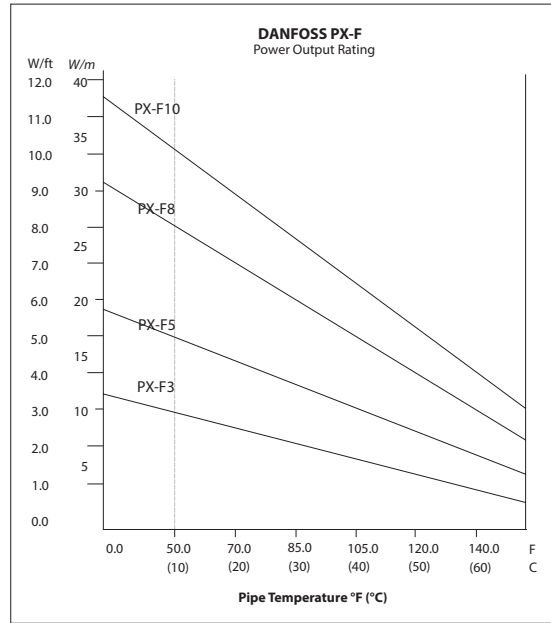
Typical Application





PX-F Cable Output Curves

Danfoss PX Output Curves



Voltage Conversion Table
W/ft. (W/m) @50°F (10°C)

Cable	208V	240V	277V
PX-F3	2.5 (8.5)	3.0 (10.0)	3.5 (12.5)
PX-F5	4.0 (13.5)	5 (15.0)	5.5 (17.5)
PX-F8	7.0 (23.0)	8 (25.5)	8.5 (27.5)
PX-F10	9.5 (31.5)	10.0 (33.0)	10.5 (35.0)

Maximum Total Cable Length (ft./m)

Breaker Size	Start-up Temp.	120V				240V			
		15A	20A	30A	40A	15A	20A	30A	40A
PX-F3 (3W/ft.)	50°F (10°C)	315 (95)	-	-	-	672 (205)	-	-	-
	5°F (-15°C)	266 (69)	295 (90)	312 (95)	-	460 (140)	610 (186)	640 (195)	-
	-15°F (-25°C)	197 (60)	266 (81)	312 (95)	-	400 (123)	541 (165)	640 (195)	-
PX-F5* (5W/ft.)	50°F (10°C)	197 (67)	262 (80)	-	-	475 (145)	532 (162)	-	-
	5°F (-15°C)	148 (45)	200 (61)	262 (80)	-	300 (93)	410 (125)	525 (160)	-
	-15°F (-25°C)	131 (40)	177 (54)	262 (80)	-	265 (82)	365 (111)	525 (160)	-
PX-F8* (8W/ft.)	50°F (10°C)	141 (43)	190 (58)	206 (63)	-	285 (88)	384 (117)	413 (126)	-
	5°F (-15°C)	96 (30)	128 (39)	190 (58)	203 (62)	197 (60)	246 (75)	384 (117)	410 (125)
	-15°F (-25°C)	88 (27)	108 (33)	167 (51)	203 (62)	164 (50)	230 (70)	345 (105)	410 (125)
PX-F10* (10W/ft.)	50°F (10°C)	108 (33)	148 (45)	177 (54)	-	230 (70)	295 (90)	354 (108)	-
	5°F (-15°C)	82 (25)	108 (33)	150 (46)	174 (53)	165 (50)	213 (65)	312 (95)	345 (105)
	-15°F (-25°C)	72 (22)	98 (30)	141 (43)	174 (53)	148 (45)	190 (58)	279 (85)	345 (105)

*RX-C Cable

Ordering Information PX Cables - Cut to Order (by the ft.)

Part No.	Output @ 50° F (10° C)	Voltage
088L1460*	3W/ft	120V
088L1461*	3W/ft	240V
088L1462*	5W/ft	120V
088L1463*	5W/ft	240V
088L1469*	8W/ft	120V
088L1468*	8W/ft	240V
088L1479*	10W/ft	120V
088L1478*	10W/ft	240V

*Minimum Order is 25 ft. (Non-Returnable)



**Ordering Information
PX Cables -
By the Spool**

Part No.	Voltage	Output @ 50°F (10° C)	Length (ft.)
088L1402	120V	3W/ft	250
088L1470	120V	3W/ft	1,000
088L1412	240V	3W/ft	250
088L1471	240V	3W/ft	1,000
088L1422	120V	5W/ft	250
088L1472	120V	5W/ft	1,000
088L1432	240V	5W/ft	250
088L1473	240V	5W/ft	1,000
088L1516	120V	8W/ft	250
088L1517	120V	8W/ft	1,000
088L1518	240V	8W/ft	250
088L1519	240V	8W/ft	1,000
088L1520	120V	10W/ft	250
088L1521	120V	10W/ft	1,000
088L1522	240V	10W/ft	250
088L1523	240V	10W/ft	1,000

**PX Cable Selection
Chart (120V/240V)**

Pipe Diameter (inches)	Insulation Thickness					
	1/2" Min.		1" Min.		2" Min.	
	Pipe Material					
	Metal	PVC	Metal	PVC	Metal	PVC
1/2	3W/ft.	5W/ft.	3W/ft.	3W/ft.	3W/ft.	3W/ft.
3/4	3W/ft.	5W/ft.	3W/ft.	3W/ft.	3W/ft.	3W/ft.
1	5W/ft.	5W/ft.	3W/ft.	3W/ft.	3W/ft.	3W/ft.
1-1/4	5W/ft.	8W/ft.	3W/ft.	5W/ft.	3W/ft.	3W/ft.
1-1/2	5W/ft.	8W/ft.	3W/ft.	5W/ft.	3W/ft.	3W/ft.
2	5W/ft.	8W/ft.	5W/ft.	5W/ft.	3W/ft.	3W/ft.
2-1/2	8W/ft.	Consult Factory	5W/ft.	5W/ft.	3W/ft.	3W/ft.
3	8W/ft.	Consult Factory	5W/ft.	5W/ft.	3W/ft.	5W/ft.
4	10W/ft.	Consult Factory	5W/ft.	8W/ft.	3W/ft.	5W/ft.
6	10W/ft.*	Consult Factory	8W/ft.	Consult Factory	5W/ft.	5W/ft.
8	-	Consult Factory	10W/ft.	Consult Factory	5W/ft.	8W/ft.

Chart based on minimum ambient temperature -22°F / -30°C

*Requires 2 runs



Controls

Part No.	Description
088L3422	Weatherproof Thermostat with Water-tight Enclosure, 120V-277V

Accessories

Part No.	Description
088L0006	Power Connection Kit - Cable to Power Lead, Includes One End Seal
088L0008	Splice/Tee Kit, Includes One End Seal
088L0023	Power Connection Kit - Cable to Box, Includes One End Seal
088L0409	Aluminum Application Tape (165 feet)
088L0412	Warning Labels, 10 pcs.
088L1457	End Seal Kit, includes 5 end seals

Warranty

Limited ten year warranty.

Technical Services

For technical questions, please contact Danfoss Heating Division North America at **1-888-DANFOSS (326-3677)**. More information on Danfoss Electric Heating products is available at www.LX.Danfoss.com.

A1000086449035en-US0103

Danfoss can accept no responsibility for possible errors in catalogs, brochures, other printed materials, and website information. Danfoss reserves the right to alter its products without notice. This also applies to products already on order provided that such alteration can be made without subsequent changes being necessary in specifications already agreed upon. All trademarks in this material are property of the respective companies. Danfoss and Danfoss logotype are trademarks of Danfoss A/S. All rights reserved.



Danfoss

Tel: 1-888-DANFOSS (326-3677)
Fax: 416-352-5981
www.LX.Danfoss.com
www.Heating.Danfoss.us

Danfoss PX
BRINGING WARMTH TO LIFE