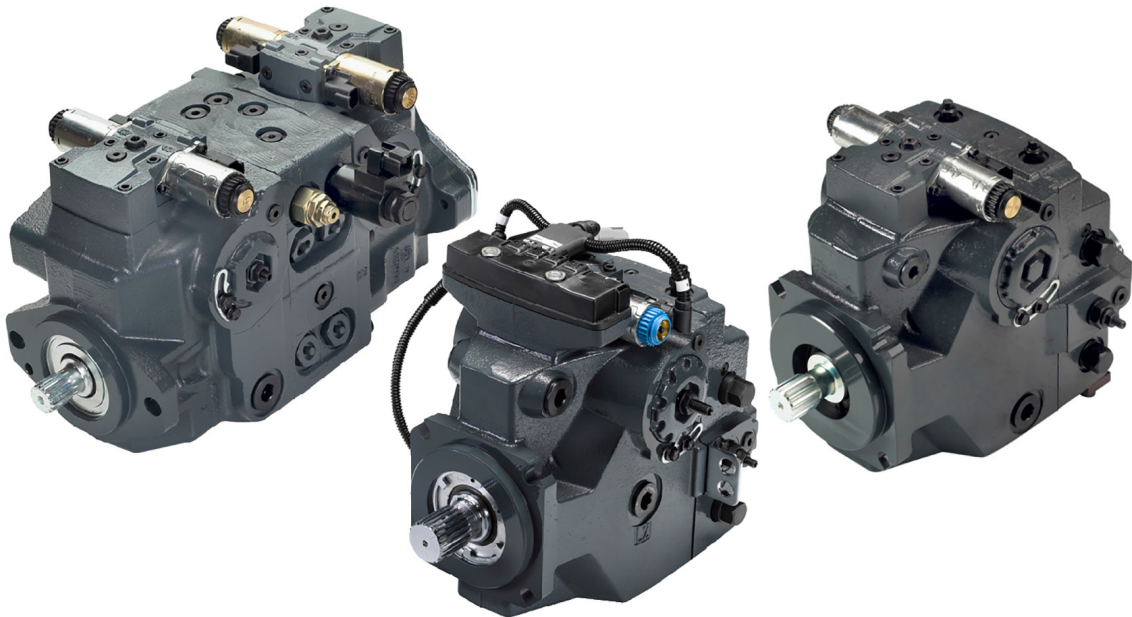


Product Line Overview

# H1 Axial Piston Pumps

## Single and Tandem



**Revision history***Table of revisions*

<b>Date</b>	<b>Changed</b>	<b>Rev</b>
November 2024	Added H1P180	1101
February 2022	Added HDC controls and updated control availability for all frames	1001
January 2021	Changed document number from 'AM00000001' and 'L1012919' to 'AM152886484212' and added 280cc information	0904
April 2017	Converted to DITA CMS.	0802
May 2002	First edition	AA

**Contents**

**Technical specifications**

Overview of H1 Pumps Technical Specifications.....4  
Control Options.....4  
H1 Pumps Literature Reference.....5

**Dimensions**

Frame size 045/053 (Single).....6  
Frame size 045/053 (Tandem).....6  
Frame size 060-280 (Single).....7  
H1 pumps dimensions.....7

## H1 Axial Piston Pumps, Single and Tandem

### Technical specifications

#### Overview of H1 Pumps Technical Specifications

The table shows the available range of H1 pumps as of this printing, with their respective speed, pressure, weight and mounting flange.

Feature	045	053	060	068	069	078	089	100	115	130	147	165	180	210	250	280
<b>Displacement cm<sup>3</sup> [in<sup>3</sup>]</b>	45.0 [2.75]	53.8 [3.28]	60.4 [3.69]	68.0 [4.15]	69.2 [4.22]	78.1 [4.77]	89.2 [5.44]	101.7 [6.21]	115.2 [7.03]	130.0 [7.93]	147.2 [8.98]	165.1 [10.08]	180.2 [11]	211.5 [12.91]	251.7 [15.36]	280.2 [17]
<b>Rated speed, min<sup>-1</sup> (rpm)</b>	3400	3400	3500	3500	3500	3500	3300	3300	3200	3200	3000	3000	3000	2600	2600	2600
<b>Max. speed, min<sup>-1</sup> (rpm)</b>	3500	3500	4000	4000	4000	4000	3800	3800	3400	3400	3100	3100	3100	2800	2800	2800
<b>Max. working pressure, bar [psi]<sup>1)</sup></b>	420 [6092]	380 [5511]	420 [6092]	380 [5511]	450 [6527]	450 [6527]	450 [6527]	450 [6527]	450 [6527]	450 [6527]	450 [6527]	450 [6527]	420 [6092]	450 [6527]	450 [6527]	420 [6092]
<b>Max pressure, bar [psi]</b>	450 [6527]	400 [5802]	450 [6527]	400 [5802]	480 [6962]	480 [6962]	480 [6962]	480 [6962]	480 [6962]	480 [6962]	480 [6962]	480 [6962]	450 [6527]	480 [6962]	480 [6962]	450 [6527]
<b>Weight dry, kg [lb] (without PTO/filter)</b>	single: 41 [90] tandem: 65 [143]		single: 50 [110] tandem: 96.2 [212]		56 [123]	56 [123]	62 [137]	62 [137]	83 [187]	83 [187]	96 [211]	96 [211]	96 [211]	163 [360]	163 [360]	163 [360]
<b>Mounting flange</b>	SAE B, 2-bolt		SAE C, 4-bolt					SAE D, 4-bolt					SAE E, 4-bolt			

<sup>1)</sup> Applied pressures above maximum working pressure requires Danfoss application approval.

### Control Options

#### Control availability

Control type	045/053 tandem	045/053 single	060/068	069/078	089/100	115/130	147/165/180	210/250/280
EDC	●	●	●	●	●	●	●	●
MDC	●	●	●	●	●	●	●	●
HDC	●	●	●	●	●	●	●	●
FNR	●	●	●	●	●	●	●	●
NFPE	●	●	●	●	●	●	●	●
FDC	●	●	●	●	●	●	●	●
AC	●	●	●	●	●	●	●	●

For more information, see <https://www.danfoss.com> or *H1 Pumps Literature Reference* on page 5.

**Technical specifications**

**H1 Pumps Literature Reference**

*Available literature for H1 Pumps*

<b>Title</b>	<b>Literature Type</b>	<b>Number</b>
H1 Axial Piston Pumps, Single and Tandem	Product Line Overview	AM152886484212
H1 Axial Piston Pumps, Single and Tandem	Basic Information	BC152886483968
H1T 045/053/060/068 Axial Piston Tandem Pumps	Technical Information	BC152886483958
H1P 045/053 Axial Piston Single Pumps	Technical Information	BC152886483105
H1P 060/068 Axial Piston Single Pumps	Technical Information	BC152886483241
H1P 069/078 Axial Piston Single Pumps	Technical Information	BC152886483133
H1P 089/100 Axial Piston Single Pumps	Technical Information	BC152886482765
H1P 115/130 Axial Piston Single Pumps	Technical Information	BC152886483053
H1P 147/165/180 Axial Piston Single Pumps	Technical Information	BC152886482989
H1P 210/25/280 Axial Piston Single Pumps	Technical Information	BC152986484463
H1P 045/053/060/068 Axial Piston Single Pumps	Service Manual	AX152886481964
H1T 045/053/060/068 Axial Piston Tandem Pumps	Service Manual	AX152886481761
H1P 069–280 Axial Piston Single Pumps	Service Manual	AX152886482551

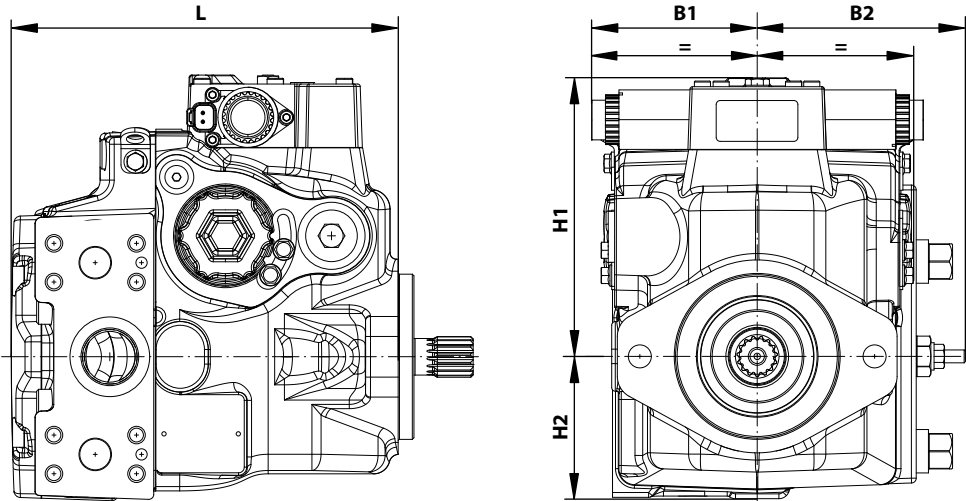
[Data sheets for all pump sizes are available.](#)

*Further available literature*

<b>Title</b>	<b>Literature Type</b>	<b>Number</b>
H1 Pump Electrical Displacement Control (EDC)	Electrical Installation	BC152886483648
H1 Pump 3-position Electric Control (FNR)	Electrical Installation	BC152886483708
H1 Pump Non-Feedback Prop. Electric Control (NFPE)	Electrical Installation	BC152886483538
H1 Pump Automotive Control (AC)	Technical Information	BC152986482596
H1 Automotive on PLUS+1 for MC024	Technical Information	BC152986484456
Speed and Temperature Sensor	Technical Information	BC152886482203
Pressure Sensor	Technical Information	BC152886484429
External Remote Charge Pressure Filter	Technical Information	BC152886484487
Design Guideline for Hydraulic Fluid Cleanliness	Technical Information	BC152886482150
Hydraulic Fluids and Lubricants	Technical Information	BC152886484524

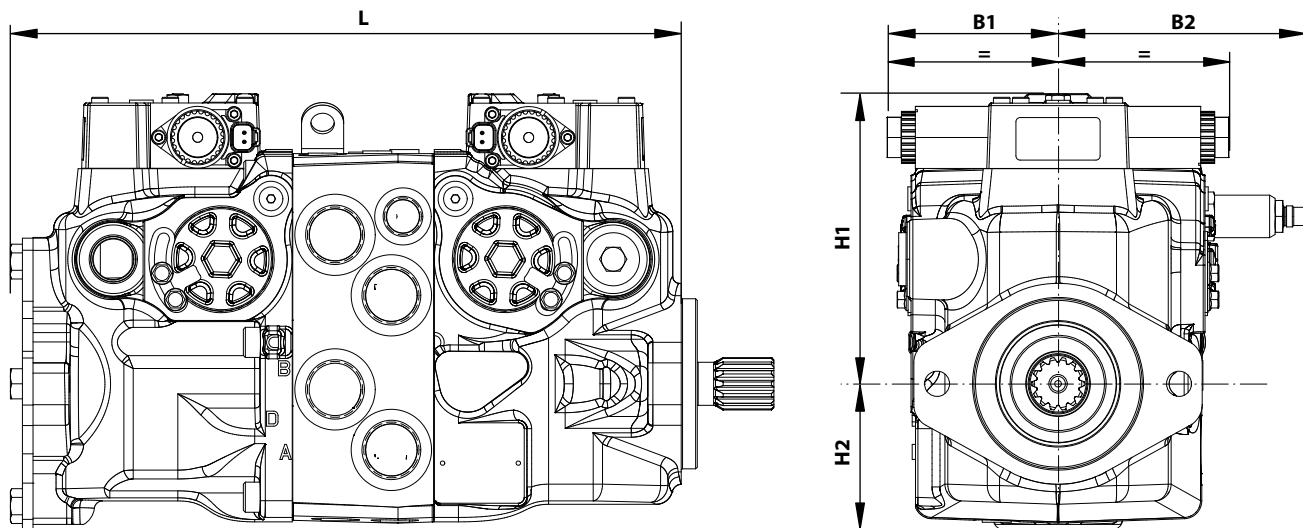
### Dimensions

#### Frame size 045/053 (Single)



P301 270

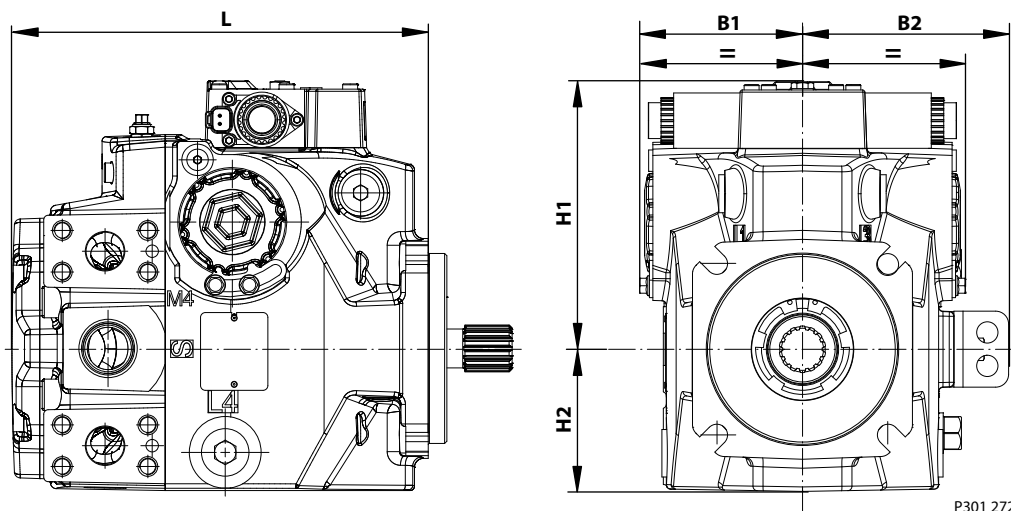
#### Frame size 045/053 (Tandem)



P301 271

**Dimensions**

**Frame size 060-280 (Single)**



P301 272

**H1 pumps dimensions**

*Dimensions (mm)*

Size	L	B1	B2	H1	H2
<b>045/053 Single</b>	238.2	103.0	129.7	173.3	88.5
<b>045/053 Tandem</b>	405.0	103.0	129.7	173.3	87.0
<b>060/068</b>	255.9	106.0	135.5	173.9	99.4
<b>069/078</b>	278.3	108.9	138.2	178.9	95.0
<b>089/100</b>	295.3	112.4	139.2	187.3	99.0
<b>115/130</b>	316.9	121.9	148.1	204.3	110.0
<b>147/165/180</b>	333.3	131.9	152.6	208.3	112.0
<b>210/250/280</b>	418.9	155.0	172.2	245.0	136.0

**Products we offer:**

- Cylinders
- Electric converters, machines, and systems
- Electronic controls, HMI, and IoT
- Hoses and fittings
- Hydraulic power units and packaged systems
- Hydraulic valves
- Industrial clutches and brakes
- Motors
- software
- Pumps
- Steering
- Transmissions

**Danfoss Power Solutions** designs and manufactures a complete range of engineered components and systems. From hydraulics and electrification to fluid conveyance, electronic controls, and software, our solutions are engineered with an uncompromising focus on quality, reliability, and safety.

Our innovative products makes increased productivity and reduced emissions a possibility, but it's our people who turn those possibilities into reality. Leveraging our unsurpassed application know-how, we partner with customers around the world to solve their greatest machine challenges. Our aspiration is to help our customers achieve their vision — and to earn our place as their preferred and trusted partner.

**Go to [www.danfoss.com](http://www.danfoss.com) or scan the QR code for further product information.**

**Hydro-Gear**

[www.hydro-gear.com](http://www.hydro-gear.com)

**Daikin-Sauer-Danfoss**

[www.daikin-sauer-danfoss.com](http://www.daikin-sauer-danfoss.com)

**Danfoss  
Power Solutions (US) Company**  
2800 East 13th Street  
Ames, IA 50010, USA  
Phone: +1 515 239 6000

**Danfoss  
Power Solutions GmbH & Co. OHG**  
Krokamp 35  
D-24539 Neumünster, Germany  
Phone: +49 4321 871 0

**Danfoss  
Power Solutions ApS**  
Nordborgvej 81  
DK-6430 Nordborg, Denmark  
Phone: +45 7488 2222

**Danfoss  
Power Solutions Trading  
(Shanghai) Co., Ltd.**  
Building #22, No. 1000 Jin Hai Rd  
Jin Qiao, Pudong New District  
Shanghai, China 201206  
Phone: +86 21 2080 6201

Danfoss can accept no responsibility for possible errors in catalogues, brochures and other printed material. Danfoss reserves the right to alter its products without notice. This also applies to products already on order provided that such alterations can be made without subsequent changes being necessary in specifications already agreed. All trademarks in this material are property of the respective companies. Danfoss and the Danfoss logotype are trademarks of Danfoss A/S. All rights reserved.