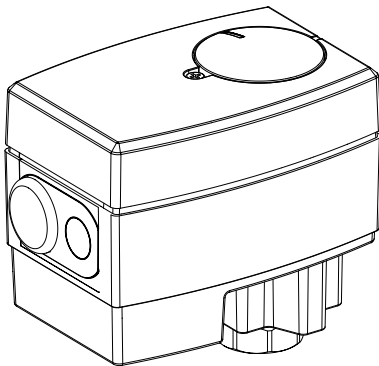


Actuator Submittal, Proportional/ 3-point Floating, AME 13 SU/SD- 1 Motor Actuator					
DATE:	SPECIFICATION SECTION:			PAGE:	of
PROJECT	ARCHITECT/ENGINEER	AGENCY	REPRESENTATIVE	DATE	NOTES
		ARCHITECT			
SUPPLIER	CONTRACTOR	ENGINEER			
		CONTRACTOR 1			
		CONTRACTOR 2			
		OTHER			
		NOTE	COMMENT		
ORDER NO.					



Model	Number	Unit Tag	Qty
AME 13 SU- 1			
AME 13 SD- 1			

\* Required adapter for the mounting of the actuator to the AB-QM valve body is included with the actuator packaging

**Specification**

The motor actuator shall be 24VAC powered and mount to the AB-QM valve body in sizes ranging from 1/2" to 1 1/4" valve sizes. The actuator shall be plenum rated according to UL2043 and shall utilize an input signal of either modulating control of 0(2)-10VDC or 0(4)-20mA or floating point that is selectable via internal DIP switch setting. The actuator shall have a feedback signal of 0(2)-10VDC for position indication. The actuator shall be capable of ensuring that excessive overload travel of actuator does not occur and have an integrated safety function to drive down or allow full open in the event of power failure.

**Description**

The AME 13 SU/SD-1 actuators are low voltage modulating or floating point actuators with safety function that are assembled to the AB-QM pressure independent control valve up to the size of 1 1/4". The safety function of the AME provides a safety full open or close of the valve in the event of power failure. Other features of the AME 13 SU/SD include:

- Force sensitive switch-off reducing overload to the actuator
- Plenum rated actuator
- Selectable input signal operation
- Visible exterior actuator operation

Actuator Type	AME 13 SU-1	AME 13 SD-1
<b>Code No.</b>	<b>082H5006</b>	<b>082H5007</b>
Power supply	24 VAC; +10...-15%	
Electrical connection	1/2" electrical conduit, wiring terminal block	
Power consumption	9 VA	
Frequency	50 Hz/60 Hz	
Control input	Modulating 0(2) -10VDC,0(4) -20mA / Floating point	
Output signal	0(2) - 10 VDC	
Close off force	300 N	
Max. actuator travel	5 mm	5.5 mm
Speed	14s/mm @ 50Hz, 11.75s/mm @ 60Hz	
Safety function speed	10 sec. from full open/close	
Max. medium temperature	266°F (130 °C)	
Ambient temperature	32 ... 131 °F (0 ... 55 °C)	
Humidity	5 to 95% RH, noncondensing	
Weight	1.76lb (0.8kg)	

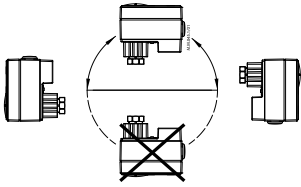
**Regulatory Compliance:**

	<b>USA</b>	UL Listed, CCN XABE, File E480529; to ANSI/UL 60730-1 and ANSI/UL 60730-2-14 Investigated and approved for plenum use in accordance with UL 2043
	<b>Canada</b>	UL Listed, CCN XABE7, FileE48029; to CAN/CSA-E60730-1:13 and CAN/CSA-E60730-2-14:13
	<b>Europe</b>	CE Mark - Danfoss declares that this product complies with all relevant CE-marking directives

# Submittal

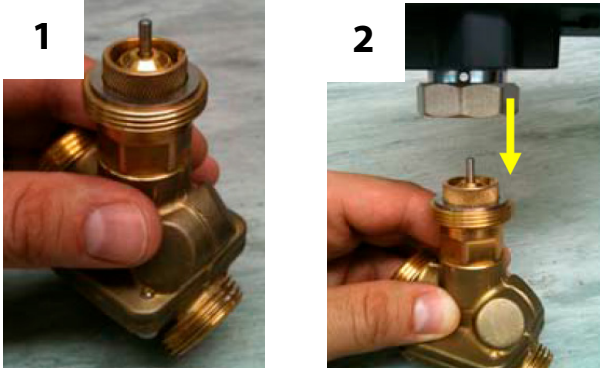
# AB-QM Pressure Independent Balance and Control Valve

### Orientation

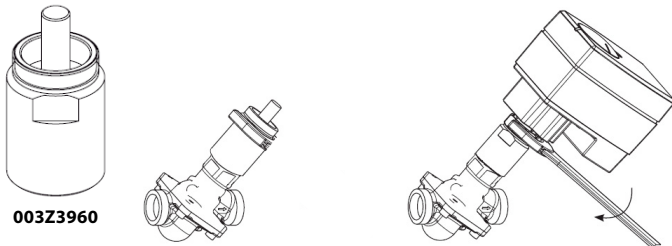


The actuator should be mounted with the valve stem in either horizontal position or pointing upwards. The actuator is fixed to the valve body by means of a threaded nut that is tightened to the brass adapter or valve body depending on the version selected. Mount the actuator prior to wiring the actuator with power.

### Mounting

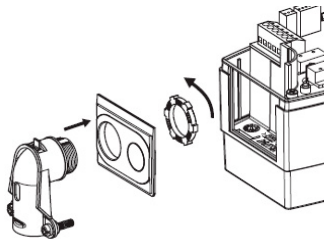


**AME 13 SD-1 (082H5006):**  
An included spacer with the actuator (prt# 003Z0257) is required to be placed between the AB-QM valve body and the motor actuator. Then the actuator is tightened to the valve. This spacer is included within the box.



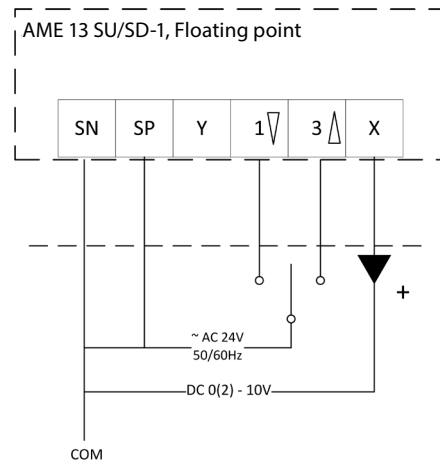
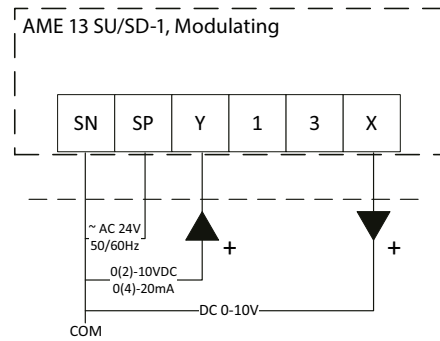
**AME 13 SU (082H5007):**  
The adapter (prt# 003Z3960) is installed by hand tightening it to the AB-QM valve followed by the installation of the actuator. This adapter is included within the box of the actuator.

### Wiring

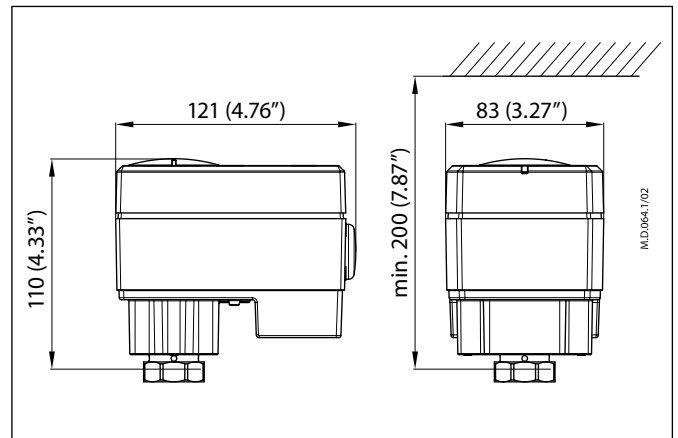


A field supplied 1/2" trade size electrician's fitting and lock nut can be mounted to the actuator enclosure. Insert wiring material through the removable plug or conduit fitting, and wire connection to the terminal block.

### Wiring, cont'd



### Dimensions



Danfoss can accept no responsibility for possible errors in printed materials and reserves the right to alter its products without notice. All trademarks in this material are property of the respective companies. Danfoss and Danfoss logotype are trademarks of Danfoss A/S. All rights reserved.



**Danfoss**  
Toronto, ON / Baltimore, MD  
Tel.: 888.326.3677, option 3  
Fax: 416-352-5981  
www.heating.danfoss.us