



General Information



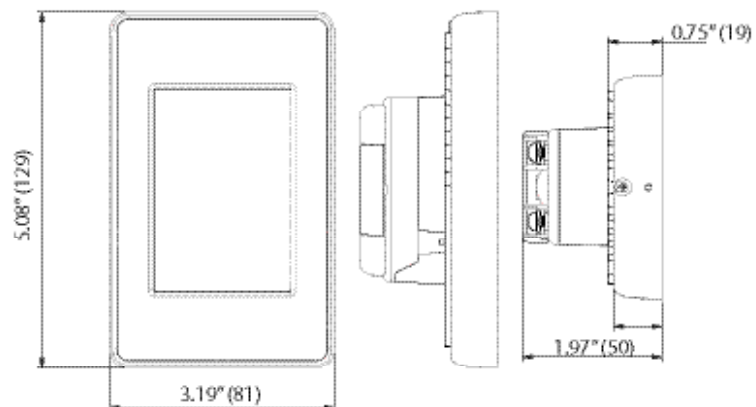
The LX205 Non Programmable thermostat is designed for electric floor heating applications. It features a new sleek design, intuitive control, & easy to install process. Benefits Include:

- Thermostat with integrated GFCI
- Track power consumption
- Embedded sensor for ambient temperature control
- Floor sensor & floor protection
- Temperature scale in Fahrenheit or Celsius
- Real time clock (12-hour or 24-hour format)
- Ability to control secondary relays
- Sleek design - Patent pending

Technical Data

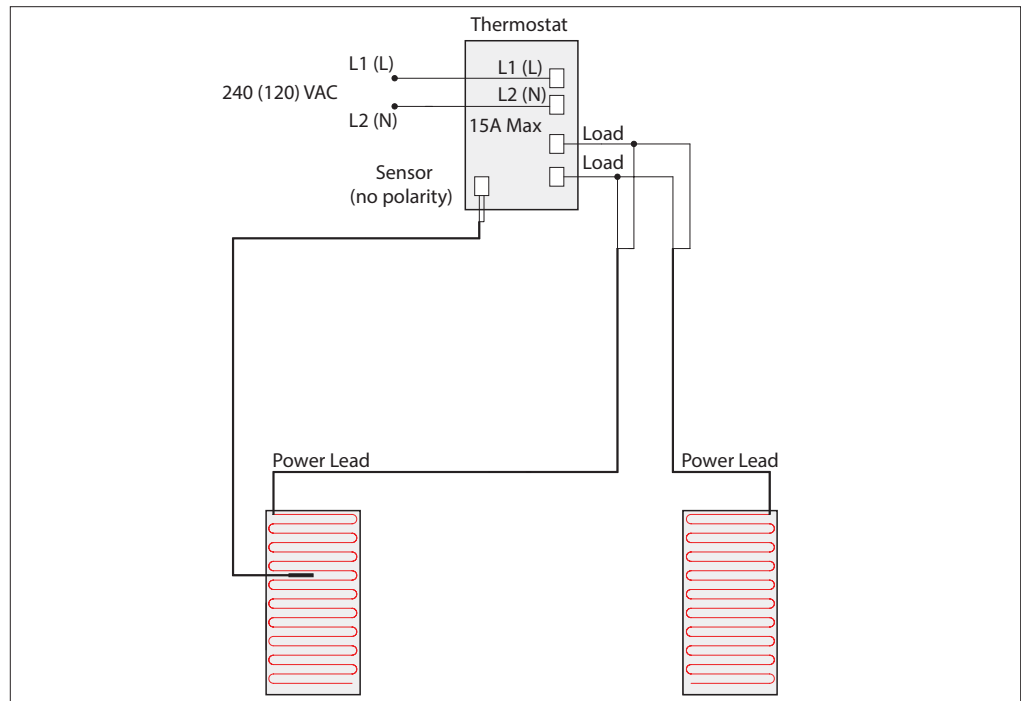
Supply:	120-240 VAC, 50/60 Hz
Max. Load:	15A maximum (resistive load)
Power:	1800W at 120 VAC / 3120W at 208 VAC / 3600W at 240 VAC
GFCI:	Class A (5 mA trip level)
Temperature Range:	41°F to 104°F (5°C to 40°C)
Floor Limit Range:	41°F to 104°F (5°C to 40°C)
Ambient Temp. Range:	32°F to 104°F (0°C to 40°C)
On/Off Differential:	0.7°F (0.4°C)
Regulation Principle:	PWM / PI
Housing:	NEMA 1 (IP20)
Floor Sensor Type:	NTC (10 KΩ) 15 ft. (4.5 m)
Dimensions (HxWxD):	5.1" x 3.2" x 0.8" (130mm x 82mm x 20mm)
Wall box (HxWxD):	3"x2"x2" (76mm x 51mm x 51mm)

Dimensions in (mm)





Typical Application



Ordering Information

Part No.	Description
088L5137	LX205 Non-Programmable Thermostat

Applications

Products in this data sheet are for use with these Danfoss mats and cables:

Danfoss Electric Heating Products
LX Electric Floor Heating Mats and Cables
TX-FH Floor Heating Cables
TX-SH Storage Heating Cables

Accessories

Part No.	Description
088L5135	Power Module with GFCI (15 Max. Amps)
088L3450	Single Contactor, 3P, 600V Max (120V Max Amps, 120V Coil Voltage)
088L3451	Single Contactor, 3P600V Max (120V Max Amps, 208V-240V Coil Voltage)
ETF-110/99C	Replacement Thin Floor Sensor (10K Ω)

Warranty

Danfoss offers a two year limited warranty covering defects in workmanship and materials.

Technical Services

For technical questions, please contact Danfoss Heating Division North America at **1-888-DANFOSS (326-3677)**. More information on Danfoss Electric Heating products is available at www.LX.Danfoss.com.

Danfoss can accept no responsibility for possible errors in catalogs, brochures, other printed materials, and website information. Danfoss reserves the right to alter its products without notice. This also applies to products already on order provided that such alteration can be made without subsequent changes being necessary in specifications already agreed upon. All trademarks in this material are property of the respective companies. Danfoss and Danfoss logotype are trademarks of Danfoss A/S. All rights reserved.



Danfoss
Toronto
 Tel: 1-888-DANFOSS (326-3677)
 Tel.: 905-285-2050
 Fax: 905-285-2055
www.LX.Danfoss.com

Danfoss LX
 BRINGING WARMTH TO LIFE