

Data Sheet

Strainer Type **FIA**

Easy to install, and ensures quick strainer inspection and cleaning



FIA strainers are a range of angleway and straightway strainers, which are carefully designed to give favourable flow conditions. The design makes the strainer easy to install, and ensures quick strainer inspection and cleaning.

FIA strainers are used ahead of automatic controls, pumps, compressors etc., for initial plant start-up and where permanent filtration of the refrigerant is required. The strainer reduces the risk of undesirable system breakdowns and reduces wear and tear on plant components.

FIA strainers are equipped with a screen of stainless steel, available in sizes 100, 150, 250 and 500 μ (microns).

Features

- Modular Concept:
 - Each valve housing is available with several different connection types and sizes.
 - Possible to convert FIA strainers to any other product in the Flexline™ SVL family (shut-off valve, hand operated regulating valve, check & stop valve or check valve) just by replacing the complete top part.
- Fast and easy overhaul service. It is easy to replace the top part and no welding is needed.
- Filter net of stainless steel mounted direct without extra gaskets means easy servicing.
- Two types of strainer inserts are available:
 - A plain insert of stainless steel.
 - A pleated insert (DN 15-200) with extra large surface, which ensures long intervals between cleaning and low pressure drop.
- FIA 15-40 (½ – 1 ½ in.): A special insert (50µ) can be used in combination with a standard version when cleaning a plant during commissioning.
- FIA 50-200 (2 - 8 in.): A large capacity filter bag (50µ) can be inserted for cleaning plant during commissioning.
- FIA 80-200 (3 - 8 in.) can be equipped with a magnetic insert for detention of iron particles and other magnetic particles.
- Each strainer clearly marked with type, size and performance range.
- Housing and bonnet of low temperature steel in accordance with the requirements of the Pressure Equipment Directive and those of other international classification authorities.
- Classification: DNV, CRN, BV, EAC etc. To get an updated list of certification on the products please contact your local Danfoss Sales Company.

Media

Refrigerants

Applicable to HCFC, HFC, R717 (Ammonia) and R744 (CO₂) and all flammable refrigerants. For further information refer to the product instruction for FIA.

New refrigerants

Danfoss products are continually evaluated for use with new refrigerants depending on market requirements.

When a refrigerant is approved for use by Danfoss, it is added to the relevant portfolio, and the R number of the refrigerant (e.g. R513A) will be added to the technical data of the code number. Therefore, products for specific refrigerants are best checked at store.danfoss.com/en/, or by contacting your local Danfoss representative.

Product specification

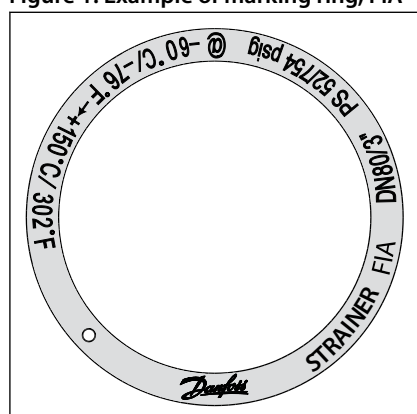
Pressure and temperature data

Table 1: Pressure and temperature data

Features	Description
Temperature range	-60 °C/+150 °C (-76 °F/+302 °F).
Max. working pressure	52 bar(g) (754 psig)

Design

Figure 1: Example of marking ring, FIA



Strainer Insert

A filter grid and filter net of stainless steel ensure long element life. The filter net offers a very high degree of cleanability.

Housing

The strainer housing is made of special, cold resistant steel.

Installation/Maintenance

The strainer is designed to resist high internal pressures. However, the piping system in general should be designed to avoid liquid traps and reduce the risk of hydraulic pressure caused by thermal expansion. Install the strainer with the cover in downward position.

Danfoss recommends replacement/cleaning of the strainer when the differential pressure loss >0.5 bar (7.3 psi) in the liquid line and >0.05 bar (0.7 psi) in the suction line. The max. permissible differential pressure is 1 bar (15 psi). For further information refer to installation instruction for FIA.

Selection of strainer size

Definition

Micron specification (μ) of the strainer must satisfy the requirements stated by the suppliers of the equipment to be protected. The following recommendations of aperture size apply in general to refrigeration installations:

All lines

First start up : Plain 50 μ (Use strainer element with removable insert for FIA DN15-40 or separate filter bag for FIA DN 50-200. 50 μ pleated strainers available for FIA DN 15-150. 50 μ inserts should normally be removed after the first 24 hours of operation).

Liquid Lines

Ahead of pumps: 500 μ
 After pumps: 150 μ / 250 μ
 In front of AKVA valves: 100 μ

Protection of automatic regulation equipment

Strainer, type FIA

Generally : 150 μ / 250 μ Sensitive equipment
 e.g. suction regulators with low temperature : 250 μ

Suction Lines

Ahead of screw compressor : 250 μ

Ahead of piston compressor : 150 μ

Table 2: Flow coefficient (DIN/ANSI)

Connection size (DN)	μ	wire	wire	free space	screen area			
		mm	in.	%	Plain elements		Pleated elements	
					cm ²	in ²	cm ²	in ²
15 - 20 (1/2"-3/4")	50	0.25	0.01	35	25	3.9	45	7
	100	0.068	0.003	35	25	3.9	45	7
	150	0.1	0.004	36	25	3.9	45	7
	250	0.1	0.004	51	25	3.9	45	7
	500	0.16	0.006	57.6	25	3.9	45	7
25 - 40 (1" - 1 1/2")	50	0.16	0.006	38	71	11	160	25
	100	0.068	0.003	35	71	11	160	25
	150	0.1	0.004	36	71	11	160	25
	250	0.1	0.004	51	71	11	160	25
	500	0.16	0.006	57.6	71	11	160	25
50 (2")	50	0.25	0.001	35	87	13.5	200	31.2
	100	0.068	0.003	35	71	11	200	31.2
	150	0.1	0.004	36	87	13.5	200	31.2
	250	0.1	0.004	51	87	13.5	200	31.2
	500	0.16	0.006	57.6	87	13.5	200	31.2
65 (2 1/2")	50	0.25	0.001	35	127	19.7	305	47.6
	150	0.1	0.004	36	127	19.7	305	47.6
	250	0.1	0.004	51	127	19.7	305	47.6
	500	0.16	0.006	57.6	127	19.7	305	47.6
80 (3")	50	0.25	0.001	35	205	31.8	450	70.2
	150	0.1	0.004	36	205	31.8	450	70.2
	250	0.1	0.004	51	205	31.8	450	70.2
	500	0.16	0.006	57.6	205	31.8	450	70.2
100 (4")	50	0.25	0.001	35	370	57.4	790	123.2
	150	0.1	0.004	36	370	57.4	790	123.2
	250	0.1	0.004	51	370	57.4	790	123.2
	500	0.16	0.006	57.6	370	57.4	790	123.2
125 (5")	50	0.25	0.001	35	510	79.1	1105	172.4
	150	0.1	0.004	36	510	79.1	1105	172.4
	250	0.1	0.004	51	510	79.1	1105	172.4
	500	0.16	0.006	57.6	510	79.1	1105	172.4
150 (6")	50	0.25	0.001	35	726	112.5	1600	249.6
	150	0.1	0.004	36	726	112.5	1600	249.6
	250	0.1	0.004	51	726	112.5	1600	249.6
	500	0.16	0.006	57.6	726	112.5	1600	249.6
200 (8")	150	0.1	0.004	36	1315	203.8	2900	453.1
	250	0.1	0.004	51	1315	203.8	2900	453.1
	500	0.16	0.006	57.6	1315	203.8	2900	453.1

Table 3: k_v values

DN	FIA angle - plain filter net				FIA angle - pleated filter net		
	μ 100	μ 150	μ 250	μ 500	μ 150	μ 250	μ 500
15	3.3	3.4	3.5	3.7	4.2		
20	6.9	7.1	7.3	7.7	8.8		
25	13.8	14	14.5	15.2	17.2	17.9	
32	23	23.8	24.7	25.5	29.2	30.5	
40	25.1	25.5	26.4	28.1	31.4	32.6	
50	45.1	45.9	47.6	50.2	56.7	58.8	62

Strainer, type FIA

DN	FIA angle - plain filter net				FIA angle - pleated filter net		
	μ100	μ150	μ250	μ500	μ150	μ250	μ500
65		56.1	57.8	60.4	69.3	71.4	74.6
80		104.6	108	113.1	129.2	133.4	139.7
100		162.4	167.5	176	200.6	206.9	217.4
125		275.4	283.9	298.4	340.2	350.7	368.6
150		362.1	373.2	391.9	447.3	462.9	
200		572.9	590.8	620.5	704.9	730.0	

Table 4: k_v values

DN	FIA straight - plain filter net				FIA straight - pleated filter net		
	μ100	μ150	μ250	μ500	μ150	μ250	μ500
15	2.5	2.6	2.7	2.8	3.3		
20	5.3	5.4	5.6	5.9	6.9		
25	10.5	10.7	11.1	11.6	13.8	14.5	
32	17.6	18.2	18.9	19.5	23.9	24.7	
40	19.2	19.5	20.2	21.5	25.5	26.4	
50	34.5	35.1	36.4	38.4	45.9	47.6	50.2
65		42.9	44.2	46.2	56.1	57.8	60.4
80		80	82.6	86.5	104.6	108	113.1
100		124.2	128.1	134.6	162.4	167.5	176
125		210.6	217.1	228.2	275.4	283.9	298.4
150		276.9	285.4	299.7	362.1	374.0	
200		438.1	451.8	474.5	570.8	587.3	

Material specification

Figure 2: FIA 15 - 40 (½ in. - 1½ in.)

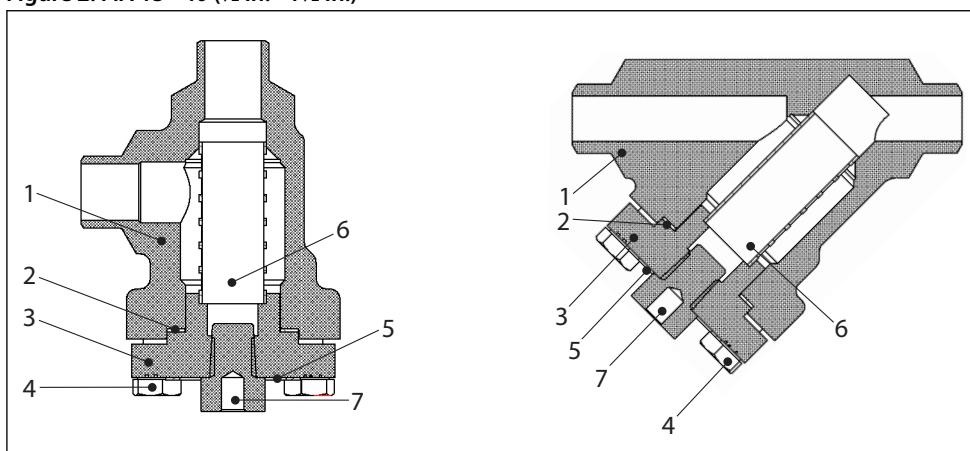


Table 5: FIA 15-40 (½ in. - 1½ in.)

No.	Part	Material	DIN	ISO	ASTM
1	Housing	Steel	G20Mn5QT, 10213-3		LCC, A352
			P285QH+QT, 10222-4		LF2, A350
2	Gasket	Fibre, Non-asbestos			
3	Cover	Steel	P285QH EN10222-4		LF2, A350
			P275NL1 or 2 EN10028-3		A, A662
4	Bolts	Stainless steel	A2-70	A2-70	Type 308
5	Marking label	Aluminium			
6	Strainer element	Stainless steel			
7	Pressure relief screw NPT ¼"	Stainless steel			

Strainer, type FIA

Table 6: FIA 50 - 200 (2 in. - 8 in.)

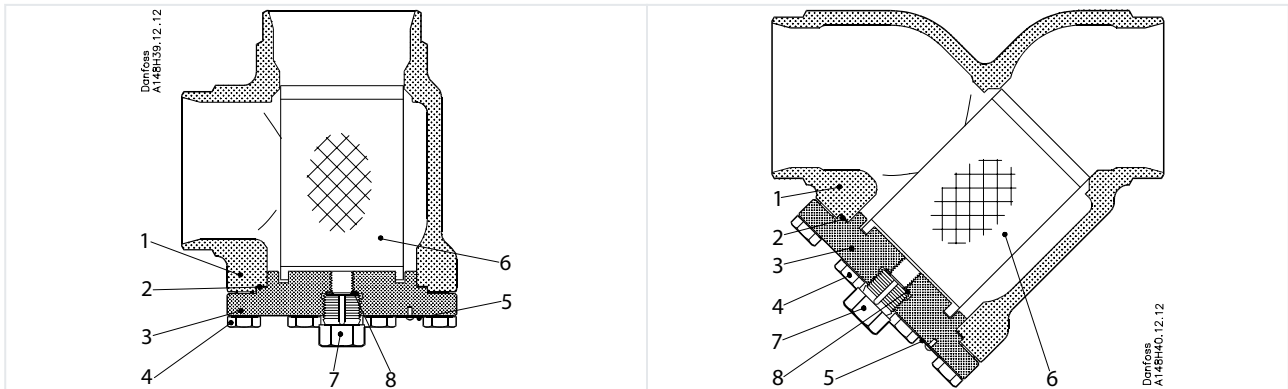


Table 7: FIA 50-200 (2 in. - 8 in.)

No.	Part	Material	DIN	ISO	ASTM
1	Housing	Steel	G20Mn5QT, 10213-3		LCC, A352
			P285QH+QT, 10222-4		LF2, A350
2	Gasket	Fibre, Non-asbestos			
3	Cover	Steel	P285QH EN10222-4		LF2, A350
			P275NL1 or 2 EN10028-3		A, A662
4	Bolts	Stainless steel	A2-70	A2-70	Type 308
5	Marking label	Aluminium			
6	Strainer element	Stainless steel			
7	Pressure relief screw G1/2"	Stainless steel			
8 ⁽¹⁾	Packing washer	Aluminium			

⁽¹⁾ pos 8 used in FIA 50-200

Connections

Available with the following connections:

- Butt-weld DIN (EN 10220):
 - DN 15 - 200 (½ - 8 in.)
- Butt-weld ANSI (B 36.10 Schedule 80):
 - DN 15 - 40 (½ - 1½ in.)
- Butt-weld ANSI (B 36.10 Schedule 40):
 - DN 50 - 200 (2 - 8 in.)
- Butt-weld GOST (8734-75 and 8732-78):
 - DN 15 - 150 (½ - 6 in.)
- Socket Weld (ANSI B 16.11):
 - DN 15 - 50 (½ - 2 in.)
- FPT Female Pipe Thread, NPT (ANSI/ASME B 1.20.1):
 - DN 15 - 32 (½ - 1¼ in.)

Figure 3: DIN

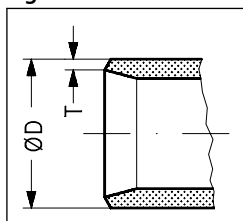


Table 8: Butt-weld DIN (EN 10220)

Size	Size	øD	T	øD	T
mm	in.	mm	mm	in.	in.
15	½	21.3	2.3	0.839	0.091
20	¾	26.9	2.3	1.059	0.091
25	1	33.7	2.6	1.327	0.103
32	1¼	42.4	2.6	1.669	0.102
40	1½	48.3	2.6	1.902	0.103
50	2	60.3	2.9	2.37	0.11
65	2½	76.1	2.9	3	0.11
80	3	88.9	3.2	3.50	0.13
100	4	114.3	3.6	4.50	0.14
125	5	139.7	4.0	5.50	0.16
150	6	168.3	4.5	6.63	0.18
200	8	219.1	6.3	8.63	0.25

Figure 4: GOST

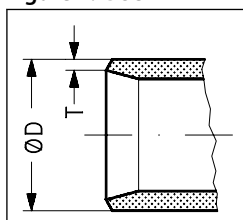


Table 9: Butt-weld GOST (8734-75 and 8732-78)

Size	Size	øD	T	øD	T
mm	in.	mm	mm	in.	in.
15	½	18	2	0.709	0.079
20	¾	25	2.5	0.984	0.098
25	1	32	3	1.260	0.118
32	1¼	38	3	1.496	0.118
40	1½	45	3	1.772	0.118
50	2	57	3.5	2.244	0.138

Strainer, type FIA

Size	Size	øD	T	øD	T
mm	in.	mm	mm	in.	in.
65	2½	76.1	2.9	3	0.11
80	3	88.9	3.2	3.50	0.13
100	4	108	4	4.252	0.157
125	5	133	4.0	5.236	0.157
150	6	159	4.5	6.260	0.177

Figure 5: ANSI

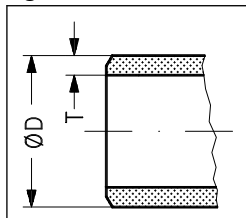


Table 10: Butt-weld ANSI (B 36.10 Schedule 80)

Size	Size	øD	T	øD	T
mm	in.	mm	mm	in.	in.
15	½	21.3	3.7	0.839	0.146
20	¾	26.9	4.0	1.059	0.158
25	1	33.7	4.6	1.327	0.181
32	1¼	42.4	4.9	1.669	0.193
40	1½	48.3	5.1	1.902	0.201

Table 11: Butt-weld ANSI (B 36.10 Schedule 40)

Size	Size	øD	T	øD	T
mm	in.	mm	mm	in.	in.
50	2	60.3	3.9	2.37	0.15
65	2½	73.0	5.2	2.87	0.20
80	3	88.9	5.5	3.50	0.22
100	4	114.3	6.0	4.50	0.24
125	5	141.3	6.6	5.56	0.26
150	6	168.3	7.1	6.63	0.28
200	8	219.1	8.2	8.63	0.32

Figure 6: SOC

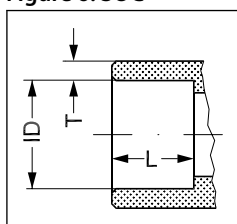


Table 12: Socket welding ANSI (B 16.11)

Size	Size	øD	T	øD	T
mm	in.	mm	mm	in.	in.
15	½	21.8	6.0	0.858	0.235
20	¾	27.2	4.6	1.071	0.181
25	1	33.9	7.2	1.335	0.284
32	1¼	42.7	6.1	1.743	0.240
40	1½	48.8	6.6	1.921	0.260
50	2	61.2	6.2	2.41	0.24

Strainer, type FIA

Figure 7: FPT

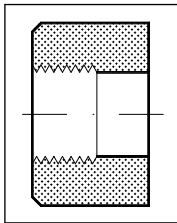


Table 13: FPT inside pipe thread, NPT (ANSI/ASME B 1.20.1)

Size	Size	Inside pipe thread
mm	in.	
15	½	(½ × 14 NPT)
20	¾	(¾ × 14 NPT)
25	1	(1 × 11.5 NPT)
32	1¼	(1¼ × 11.5 NPT)

Dimensions and weights

Table 14: FIA 15 - 65

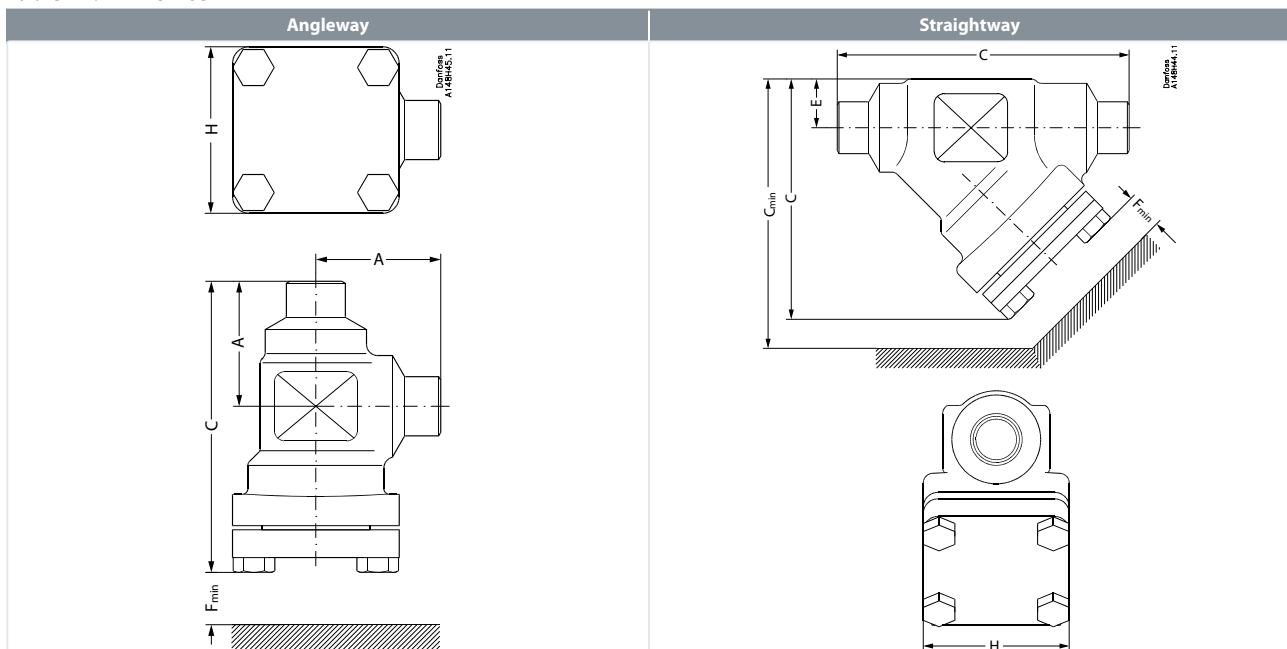


Table 15: Angleway

Strainer size		A	C	H	F _{min.}	Weight
FIA 15-20 (½" - ¾")	mm	45	105	60	68	1.1 kg
	in.	1.77	4.13	2.36	2.68	2.4 lbs
FIA 25-40 (1" - 1½")	mm	55	132	70	95	1.7 kg
	in.	2.17	5.20	2.76	3.74	3.7 lbs
FIA 50 (2")	mm	60	132	77	92	2.8 kg
	in.	2.36	5.20	3.03	3.62	6.2 lbs
FIA 65 (2½")	mm	70	152	90	107	3.8 kg
	in.	2.76	5.98	3.54	4.21	8.4 lbs

Table 16: Straightway

Strainer size		A	C	C _{min.}	H	E	F _{min.}	Weight
FIA 15-20 (½" - ¾")	mm	120	99	133	60	20	68	1.4 kg
	in.	4.72	3.9	5.24	2.36	0.79	2.68	3.1 lbs
FIA 25-40 (1" - 1½")	mm	155	129	177	70	26	95	2.4 kg
	in.	6.1	5.08	6.97	2.76	1.02	3.74	5.3 lbs

Strainer, type FIA

Strainer size		A	C	C _{min.}	H	E	F _{min.}	Weight
FIA 50 (2")	mm	148	138	184	77	32	92	3.5 kg
	in.	5.83	5.43	7.24	3.03	1.26	3.62	7.7 lbs
FIA 65 (2½")	mm	176	165	219	90	40	107	5.3 kg
	in.	6.93	6.5	8.62	3.54	1.57	4.21	11.7 lbs

Table 17: FIA 80 - 200

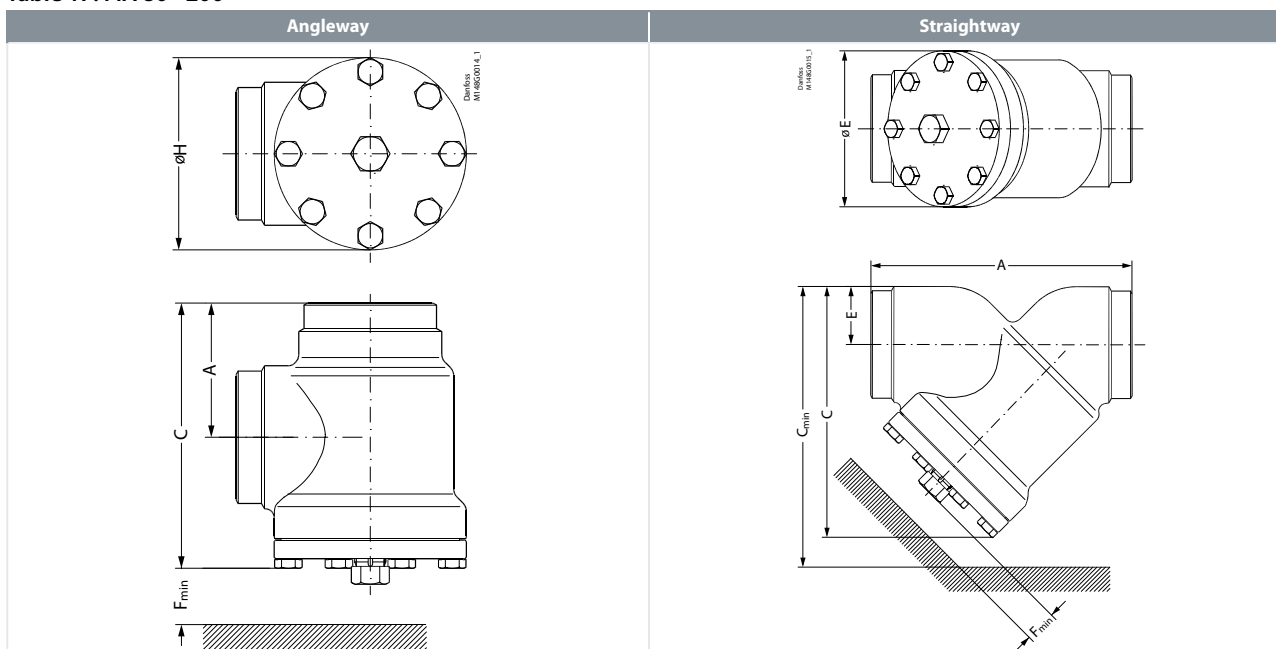


Table 18: Angleway

Strainer size		A	C	ØH	F _{min.}	Weight
FIA 80 (3")	mm	90	189	129	133	7.3 kg
	in.	3.54	7.44	5.08	5.24	16.1 lbs
FIA 100 (4")	mm	106	223	156	163	11.9 kg
	in.	4.17	8.78	6.14	6.42	26.2 lbs
FIA 125 (5")	mm	128	268	192	190	21.2 kg
	in.	5.04	10.6	7.56	7.48	46.7 lbs
FIA 150 (6")	mm	145	303	219	223	30.5 kg
	in.	5.71	11.93	8.62	8.78	67.2 lbs
FIA 200 (8")	mm	180	372	276	280	68 kg
	in.	7.09	14.65	10.87	11.02	150 lbs

Table 19: Straightway

Strainer size		A	C	C _{min.}	H	ØE	F _{min.}	Weight
FIA 80 (3")	mm	216	204	271	129	48	133	8.6 kg
	in.	8.5	8.03	10.67	5.08	1.89	5.24	19 lbs
FIA 100 (4")	mm	264	256	337	156	60	163	14.9 kg
	in.	10.39	10.08	13.27	6.14	2.36	6.42	32.8 lbs
FIA 125 (5")	mm	322	313	408	192	74	190	26.9 kg
	in.	12.68	12.32	16.06	7.56	2.91	7.48	59.3 lbs
FIA 150 (6")	mm	370	370	482	219	91	223	51 kg
	in.	14.57	14.57	18.98	8.62	3.58	8.78	112 lbs
FIA 200 (8")	mm	464	465	605	276	117	280	95 kg
	in.	18.27	18.31	23.82	10.87	4.61	11.02	209 lbs

NOTE:

Weight shown in tables 12-16 is approximated.

Ordering

The table below is used to identify the strainer required. Please note that you have to order **FIA strainer without insert, a strainer insert and accessories**.

Example:

FIA 50 D ANG + FIA-X 50 150µ Strainer insert + Filter Bag = **148B5912 + 148H3130 + 148H3150**

- **D** = Butt-weld DIN
- **ANG** = Angleway
- **A** = Butt-weld ANSI
- **STR** = Straightway
- **SOC** = Socket welding
- **FPT** = Inside pipe thread
- **G** = Butt-weld GOST
- **ANG** = Angleway
- **STR** = Straightway

Table 20: Butt-weld DIN (EN 10220) - Angleway

Size		Type	FIA Without strainer insert	FIA: Filter insert-plain				FIA: Filter insert-pleated			
mm	in.			100µ	150µ	250µ	500µ	50µ	150µ	250µ	500µ
15	½	FIA 15 D ANG	148B5242	148H3122	148H3124	148H3126	148H3128	148H3412	148H3303	148H3363	-
20	¾	FIA 20 D ANG	148B5342								-
25	1	FIA 25 D ANG	148B5442								-
32	1¼	FIA 32 D ANG	148B5543	148H3123	148H3125	148H3127	148H3129	148H3413	148H3304	148H3269	-
40	1½	FIA 40 D ANG	148B5624	148H3157	148H3130	148H3138	148H3144	148H3414	148H3179	148H3184	148H3189
50	2	FIA 50 D ANG	148B5712								-
65	2½	FIA 65 D ANG	148B5812								-
80	3	FIA 80 D ANG	148B5905	-	148H3119	148H3120	148H3121	148H3416	148H3181	148H3186	148H3191
100	4	FIA 100 D ANG	148B6006	-	148H3132	148H3140	148H3146	148H3417	148H3182	148H3187	148H3192
125	5	FIA 125 D ANG	148B6105	-	148H3133	148H3141	148H3147	148H3418	148H3183	148H3188	148H3193
150	6	FIA 150 D ANG	148B6202	-	148H3134	148H3142	148H3148	148H3419	148H3226	148H3293	-
200	8	FIA 200 D ANG	148B6302	-	148H3135	148H3143	148H3149	-	148H3297	148H3294	-

Table 21: Butt-weld DIN (EN 10220) - Straightway

Size		Type	FIA Without strainer insert	FIA: Filter insert-plain				FIA: Filter insert-pleated			
mm	in.			100µ	150µ	250µ	500µ	50µ	150µ	250µ	500µ
15	½	FIA 15 D STR	148B5243	148H3122	148H3124	148H3126	148H3128	148H3412	148H3303	148H3363	-
20	¾	FIA 20 D STR	148B5343								-
25	1	FIA 25 D STR	148B5443								-
32	1¼	FIA 32 D STR	148B5544	148H3123	148H3125	148H3127	148H3129	148H3413	148H3304	148H3269	-
40	1½	FIA 40 D STR	148B5625	148H3157	148H3130	148H3138	148H3144	148H3414	148H3179	148H3184	148H3189
50	2	FIA 50 D STR	148B5713								-
65	2½	FIA 65 D STR	148B5813								-
80	3	FIA 80 D STR	148B5906	-	148H3119	148H3120	148H3121	148H3416	148H3181	148H3186	148H3191
100	4	FIA 100 D STR	148B6007	-	148H3132	148H3140	148H3146	148H3417	148H3182	148H3187	148H3192
125	5	FIA 125 D STR	148B6106	-	148H3133	148H3141	148H3147	148H3418	148H3183	148H3188	148H3193
150	6	FIA 150 D STR	148B6203	-	148H3134	148H3142	148H3148	148H3419	148H3226	148H3293	-
200	8	FIA 200 D STR	148B6303	-	148H3135	148H3143	148H3149	-	148H3297	148H3294	-

Strainer, type FIA

Table 22: Butt-weld ANSI (B 36.10 Schedule 80) - Angleway

Size		Type	FIA Without strainer insert	FIA: Filter insert-plain				FIA: Filter insert-pleated			
mm	in.			100µ	150µ	250µ	500µ	150µ	50µ	250µ	500µ
15	½	FIA 15 A ANG	148B5244	148H3122	148H3124	148H3126	148H3128	148H3303	148H3412	148H3363	-
20	¾	FIA 20 A ANG	148B5344								
25	1	FIA 25 A ANG	148B5444	148H3123	148H3125	148H3127	148H3129	148H3304	148H3413	148H3269	-
32	1¼	FIA 32 A ANG	148B5545								
40	1½	FIA 40 A ANG	148B5642								

Table 23: Butt-weld ANSI (B 36.10 Schedule 80) - Straightway

Size		Type	FIA Without strainer insert	FIA: Filter insert-plain				FIA: Filter insert-pleated			
mm	in.			100µ	150µ	250µ	500µ	50µ	150µ	250µ	500µ
15	½	FIA 15 A STR	148B5247	148H3122	148H3124	148H3126	148H3128	148H3412	148H3303	148H3363	-
20	¾	FIA 20 A STR	148B5347								
25	1	FIA 25 A STR	148B5447	148H3123	148H3125	148H3127	148H3129	148H3413	148H3304	148H3269	-
32	1¼	FIA 32 A STR	148B5552								
40	1½	FIA 40 A STR	148B5644								

Table 24: Butt-weld ANSI (B 36.10 Schedule 40) - Angleway

Size		Type	FIA Without strainer insert	FIA: Filter insert-plain				FIA: Filter insert-pleated			
mm	in.			100µ	150µ	250µ	500µ	50µ	150µ	250µ	500µ
50	2	FIA 50 A ANG	148B5714	148H3157	148H3130	148H3138	148H3144	148H3414	148H3179	148H3184	148H3189
65	2½	FIA 65 A ANG	148B5814	-	148H3131	148H3139	148H3145	148H3415	148H3180	148H3185	148H3190
80	3	FIA 80 A ANG	148B5907	-	148H3119	148H3120	148H3121	148H3416	148H3181	148H3186	148H3191
100	4	FIA 100 A ANG	148B6008	-	148H3132	148H3140	148H3146	148H3417	148H3182	148H3187	148H3192
125	5	FIA 125 A ANG	148B6107	-	148H3133	148H3141	148H3147	148H3418	148H3183	148H3188	148H3193
150	6	FIA 150 A ANG	148B6204	-	148H3134	148H3142	148H3148	148H3419	148H3226	148H3293	-
200	8	FIA 200 A ANG	148B6304	-	148H3135	148H3143	148H3149	148H3297	148H3294	-	

Table 25: Butt-weld ANSI (B 36.10 Schedule 40) - Straightway

Size		Type	FIA Without strainer insert	FIA: Filter insert-plain				FIA: Filter insert-pleated			
mm	in.			100µ	150µ	250µ	500µ	50µ	150µ	250µ	500µ
50	2	FIA 50 A STR	148B5716	148H3157	148H3130	148H3138	148H3144	148H3414	148H3179	148H3184	148H3189
65	2½	FIA 65 A STR	148B5815	-	148H3131	148H3139	148H3145	148H3415	148H3180	148H3185	148H3190
80	3	FIA 80 A STR	148B5908	-	148H3119	148H3120	148H3121	148H3416	148H3181	148H3186	148H3191
100	4	FIA 100 A STR	148B6009	-	148H3132	148H3140	148H3146	148H3417	148H3182	148H3187	148H3192
125	5	FIA 125 A STR	148B6108	-	148H3133	148H3141	148H3147	148H3418	148H3183	148H3188	148H3193
150	6	FIA 150 A STR	148B6205	-	148H3134	148H3142	148H3148	148H3419	148H3226	148H3293	-
200	8	FIA 200 A STR	148B6305	-	148H3135	148H3143	148H3149	148H3297	148H3294	-	

Table 26: Butt-weld GOST - Angleway

Size		Type	FIA Without strainer insert	FIA: Filter insert-plain				FIA: Filter insert-pleated			
mm	in.			100µ	150µ	250µ	500µ	50µ	150µ	250µ	500µ
150	6	FIA 150 G ANG	148B6206	-	148H3134	148H3142	148H3148	148H3419	148H3226	148H3293	-

Table 27: Butt-weld GOST - Straightway

Size		Type	FIA Without strainer insert	FIA: Filter insert-plain				FIA: Filter insert-pleated			
mm	in.			100µ	150µ	250µ	500µ	50µ	150µ	250µ	500µ
150	6	FIA 150 G STR	148B6207	-	148H3134	148H3142	148H3148	148H3419	148H3226	148H3293	-

Table 28: FPT inside pipe thread, NPT (ANSI/ASME B 1.20.1) - Angleway

Size		Type	FIA Without strainer insert	FIA: Filter insert-plain				FIA: Filter insert-pleated			
mm	in.			100µ	150µ	250µ	500µ	50µ	150µ	250µ	500µ
15	½	FIA 15 FTP ANG	148B5246	148H3122	148H3124	148H3126	148H3128	148H3412	148H3303	148H3363	-
20	¾	FIA 20 FTP ANG	148B5346								
25	1	FIA 25 FTP ANG	148B5446	148H3123	148H3125	148H3127	148H3129	148H3413	148H3304	148H3269	-
32	1¼	FIA 32 FTP ANG	148B5547								

Strainer, type FIA

Table 29: FPT inside pipe thread, NPT (ANSI/ASME B 1.20.1) - Straightway

Size		Type	FIA Without strainer insert	FIA: Filter insert-plain				FIA: Filter insert-pleated			
mm	in.			100µ	150µ	250µ	500µ	50µ	150µ	250µ	500µ
15	½	FIA 15 FTP STR	148B5249	148H3122	148H3124	148H3126	148H3128	148H3412	148H3303	148H3363	-
20	¾	FIA 20 FTP STR	148B5349								
25	1	FIA 25 FTP STR	148B5449	148H3123	148H3125	148H3127	148H3129	148H3413	148H3304	148H3269	-
32	1¼	FIA 32 FTP STR	148B5549								

Table 30: Socket welding ANSI (B 16.11) - Angleway

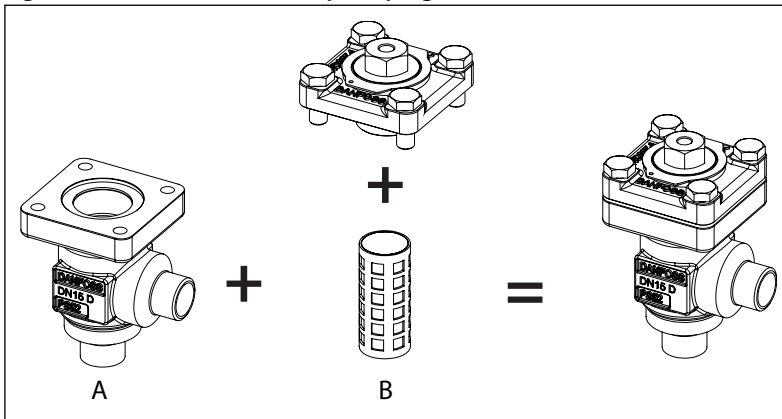
Size		Type	FIA Without strainer insert	FIA: Filter insert-plain				FIA: Filter insert-pleated			
mm	in.			100µ	150µ	250µ	500µ	50µ	150µ	250µ	500µ
15	½	FIA 15 SOC ANG	148B5245	148H3122	148H3124	148H3126	148H3128	148H3412	148H3303	148H3363	-
20	¾	FIA 20 SOC ANG	148B5345								
25	1	FIA 25 SOC ANG	148B5445	148H3123	148H3125	148H3127	148H3129	148H3413	148H3304	148H3269	-
32	1¼	FIA 32 SOC ANG	148B5546								
40	1½	FIA 40 SOC ANG	148B5643	148H3157	148H3130	148H3138	148H3144	148H3414	148H3179	148H3184	148H3189
50	2	FIA 50 SOC ANG	148B5715								

Table 31: Socket welding ANSI (B 16.11) - Straightway

Size		Type	FIA Without strainer insert	FIA: Filter insert-plain				FIA: Filter insert-pleated			
mm	in.			100µ	150µ	250µ	500µ	50µ	150µ	250µ	500µ
15	½	FIA 15 SOC STR	148B5248	148H3122	148H3124	148H3126	148H3128	148H3412	148H3303	148H3363	-
20	¾	FIA 20 SOC STR	148B5348								
25	1	FIA 25 SOC STR	148B5448	148H3123	148H3125	148H3127	148H3129	148H3413	148H3304	148H3269	-
32	1¼	FIA 32 SOC STR	148B5548								
40	1½	FIA 40 SOC STR	148B5645	148H3157	148H3130	148H3138	148H3144	148H3414	148H3179	148H3184	148H3189
50	2	FIA 50 SOC STR	148B5717								

Ordering FIA strainers from the parts programme

Figure 8: FIA strainers from the parts programme



Example

- A** Strainer Housing, size 25 (1 in.), butt weld F, angleway, **148B5452** Refer [Table 33: SVL valve housings w/ different connections](#)
- B** Top part, FIA, size 25 (1 in.) **148B5484** + Plain Strainer insert, 250µ, **148H3127** Refer [Table 35: FIA complete top part including gaskets and bolts](#)

Table 32: FIA strainer valve housings w/different connections

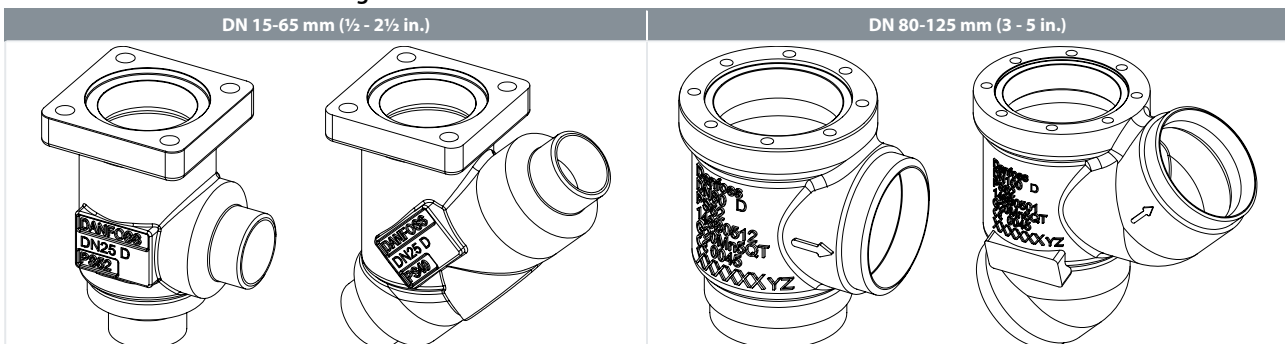


Table 33: SVL valve housings w/different connections

Sizes [DN]		Valve Housing SVL										
		DIN-Butt weld		ANSI-Butt weld		GOST-Butt-weld		SOC		FPT		T
mm	in.	ANG	STR	ANG	STR	ANG	STR	ANG	STR	ANG	STR	ANG
15	1/2	148B5252	148B5253	148B5254	148B5255	148B5391	148B5392	148B5256	148B5257	148B5258	148B5259	-
20	3/4	148B5352	148B5353	148B5354	148B5355	148B5393	148B5394	148B5356	148B5357	148B5358	148B5359	-
25	1	148B5452	148B5453	148B5454	148B5455	148B5498	148B5499	148B5456	148B5457	148B5458	148B5459	-
32	1 1/4	148B5576	148B5577	148B5578	148B5579	148B5593	148B5594	148B5580	148B5581	148B5582	148B5583	-
40	1 1/2	148B5652	148B5653	148B5654	148B5655	148B5681	148B5682	148B5656	148B5657	-	-	-
50	2	148B5741	148B5742	148B5743	148B5744	148B5759	148B5760	148B5745	148B5746	-	-	-
65	2 1/2	148B5816	148B5817	-	148B5819	148B5816	148B5817	-	-	-	-	-
80	3	148B5912	148B5913	148B5914	148B5915	148B5912	148B5913	-	-	-	-	-
100	4	148B6014	148B6015	148B6016	148B6017	148B6033	148B6034	-	-	-	-	-
125	5	148B6112	148B6113	148B6114	148B6115	148B6133	148B6134	-	-	-	-	-

Strainer, type FIA

Table 34: FIA complete top part including gaskets and bolts

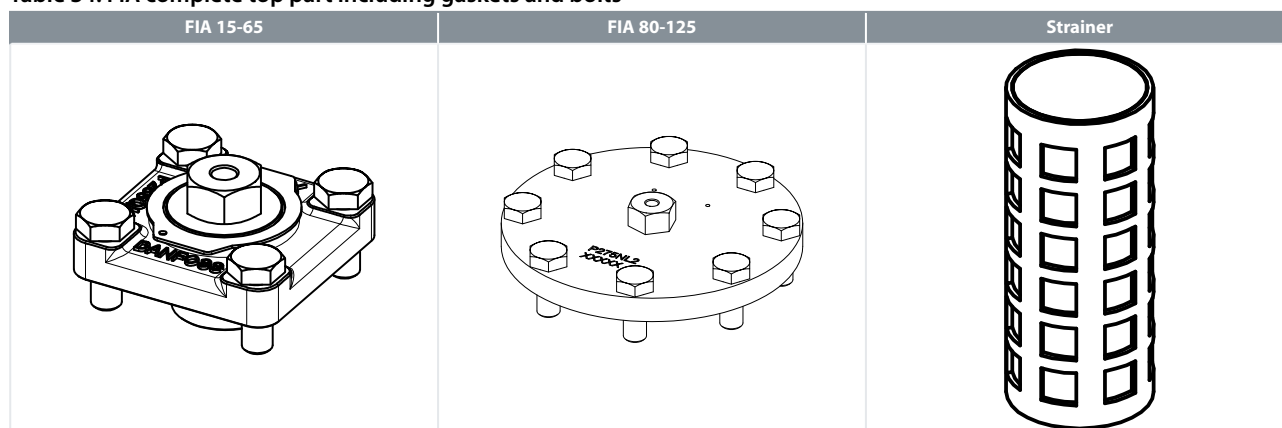


Table 35: FIA complete top part including gaskets and bolts

Sizes [DN]		Complete top part FIA	FIA: Filter insert-plain				FIA: Filter insert-pleated			
mm	in.		100μ	150μ	250μ	500μ	50μ	150μ	250μ	500μ
15	½	148B5284	148H3122	148H3124	148H3126	148H3128	148H3412	148H3303	-	-
20	¾									
25	1	148B5484	148H3123	148H3125	148H3127	148H3129	148H3413	148H3304	148H3269	-
32	1¼									
40	1½									
50	2	148B5748	148H3157	148H3130	148H3138	148H3144	148H3414	148H3179	148H3184	148H3189
65	2½	148B5832	-	148H3131	148H3139	148H3145	148H3415	148H3180	148H3185	148H3190
80	3	148B5922	-	148H3119	148H3120	148H3121	148H3416	148H3181	148H3186	148H3191
100	4	148B6024	-	148H3132	148H3140	148H3146	148H3417	148H3182	148H3187	148H3192
125	5	148B6122	-	148H3133	148H3141	148H3147	148H3418	148H3183	148H3188	148H3193

Accessories

Table 36: Accessories

Part	Accessory for	Code number
Magnet insert	FIA 80-100	148H3447
	FIA 125-200	148H3448
Strainer insert μ150 with removable insert μ50 for the first start up	FIA 15-20	148H3301
	FIA 25-40	148H3302
Filter bag	FIA 50	148H3150
	FIA 65	148H3151
	FIA 80	148H3152
	FIA 100	148H3153
	FIA 125	148H3154
	FIA 150	148H3155
	FIA 200	148H3156
Purge valve complete	FIA 50 - 300	148B3745
Blind nut with gasket		148H3450
Special strainer element permanent 50μ for CO ₂ applications	FIA 15-20	032F9113 ⁽¹⁾

⁽¹⁾ The 2 O-rings which come together with the strainer element should not be used for strainer installation in the FIA 15-20.

NOTE:

Please note that the 50μ strainer element can be filled up quite fast, so it is recommended to inspect and clean the strainer element at regular intervals based on experience at the installation site.

Certificates, declarations and approvals

The list contains all certificates, declarations, and approvals for this product type. Individual code number may have some or all of these approvals, and certain local approvals may not appear on the list.

Some approvals may change over time. You can check the most current status at danfoss.com or contact your local Danfoss representative if you have any questions.

Pressure Equipment Directive (PED)

FIA strainers are approved in accordance with the European standard specified in the Pressure Equipment Directive and are **CE** marked. For further details/restrictions - see [Installation guide](#).

Table 37: Pressure Equipment Directive (PED)


	Nominal bore	DN ≤ 25 (1 in.)	DN 32-80 mm (1¼ - 3 in.)	DN 100-200 mm (4-8 in.)
	Classified for	Fluid group I		
	Category	Article 3, paragraph 3	II	III

Table 38: Certificates, declarations and approvals

File name	Document type	Document topic	Approval Authority
19.10048.266	Marine - Safety Certificate		RMRS
RU Д-ДК.БЛ08.В.00828_19	EAC Declaration	Machinery & Equipment	EAC
0045 202 1204 Z 00354 19 D 001(00)	Pressure - Safety Certificate		TÜV
03709-F0 BV	Marine - Safety Certificate		BV
RU C-ДК.БЛ08.В.01095_20	Pressure - Safety Certificate	PED	EAC
TAP000000S Rev. 1	Marine - Safety Certificate		DNV GL
MD 033F0691.AE	Manufacturers Declaration	RoHS	Danfoss
0045 202 1204 Z 00355 19 D 001(00)	Pressure - Safety Certificate		TÜV
033F0453.AD	Manufacturers Declaration	ATEX	Danfoss
EU 033F0685.AK	EU Declaration	EMCD/PED	Danfoss
MD 033F0686.AH	Manufacturers Declaration	PED	Danfoss

Online support

Danfoss offers a wide range of support along with our products, including digital product information, software, mobile apps, and expert guidance. See the possibilities below.

The Danfoss Product Store



The Danfoss Product Store is your one-stop shop for everything product related—no matter where you are in the world or what area of the cooling industry you work in. Get quick access to essential information like product specs, code numbers, technical documentation, certifications, accessories, and more.

Start browsing at store.danfoss.com.

Find technical documentation



Find the technical documentation you need to get your project up and running. Get direct access to our official collection of data sheets, certificates and declarations, manuals and guides, 3D models and drawings, case stories, brochures, and much more.

Start searching now at www.danfoss.com/en/service-and-support/documentation.

Get local information and support



Local Danfoss websites are the main sources for help and information about our company and products. Find product availability, get the latest regional news, or connect with a nearby expert—all in your own language.

Find your local Danfoss website here: www.danfoss.com/en/choose-region.

Danfoss Learning



Danfoss Learning is a free online learning platform. It features courses and materials specifically designed to help engineers, installers, service technicians, and wholesalers better understand the products, applications, industry topics, and trends that will help you do your job better.

Create your Danfoss Learning account for free at www.danfoss.com/en/service-and-support/learning.

Spare Parts



Get access to the Danfoss spare parts and service kit catalog right from your smartphone. The app contains a wide range of components for air conditioning and refrigeration applications, such as valves, strainers, pressure switches, and sensors.

Download the Spare Parts app for free at www.danfoss.com/en/service-and-support/downloads.

Coolselector®2 - find the best components for you HVAC/R system



Coolselector®2 makes it easy for engineers, consultants, and designers to find and order the best components for refrigeration and air conditioning systems. Run calculations based on your operating conditions and then choose the best setup for your system design.

Download Coolselector®2 for free at coolselector.danfoss.com.

Danfoss A/S

Climate Solutions • danfoss.com • +45 7488 2222

Any information, including, but not limited to information on selection of product, its application or use, product design, weight, dimensions, capacity or any other technical data in product manuals, catalogues descriptions, advertisements, etc. and whether made available in writing, orally, electronically, online or via download, shall be considered informative, and is only binding if and to the extent, explicit reference is made in a quotation or order confirmation. Danfoss cannot accept any responsibility for possible errors in catalogues, brochures, videos and other material. Danfoss reserves the right to alter its products without notice. This also applies to products ordered but not delivered provided that such alterations can be made without changes to form, fit or function of the product.

All trademarks in this material are property of Danfoss A/S or Danfoss group companies. Danfoss and the Danfoss logo are trademarks of Danfoss A/S. All rights reserved.