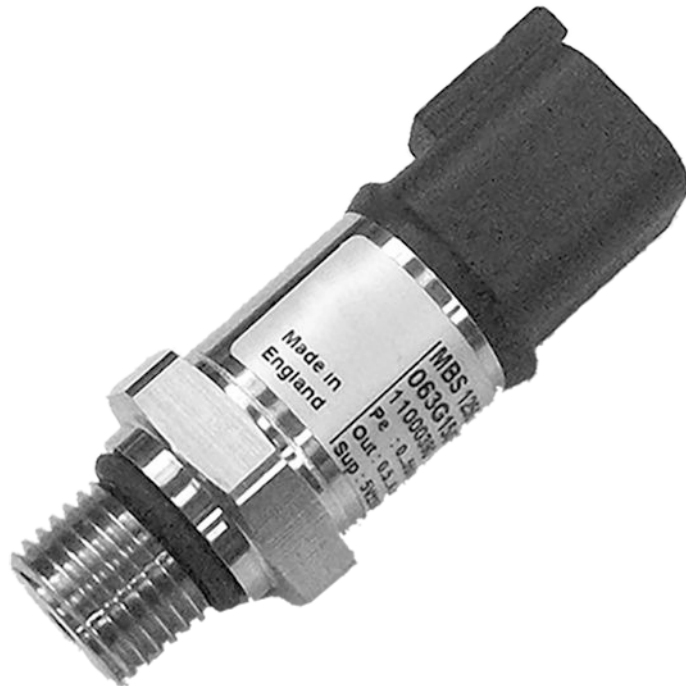


Technical Information

# H1 Axial Piston Pumps and Motors

## Pressure Sensor



**Revision history**

*Table of revisions*

<b>Date</b>	<b>Changed</b>	<b>Rev</b>
February 2025	Updated to most recent Danfoss template	0202
Sept 2015	Changed document number from L1007019 to & BC152886484429	0201
Jan 2014	Converted to Danfoss Layout - DITA CMS	BA
Nov 2010	First edition	AA

## Contents

### Product Overview

Description.....	4
Dimensions.....	4

### General Data

Pressure Sensor.....	5
----------------------	---

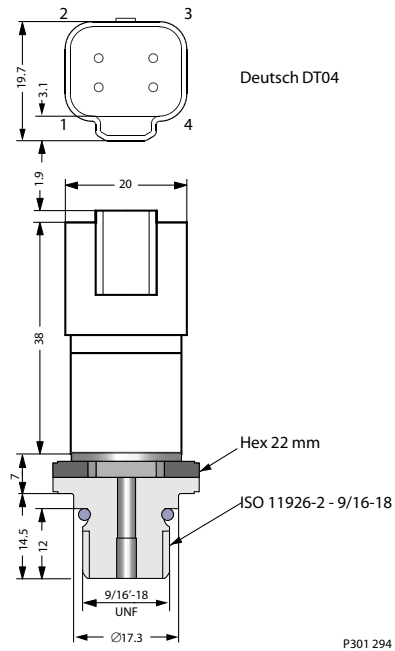
## Product Overview

### Description

The compact heavy duty OEM pressure transmitter MBS 1250 is designed for use in severe hydraulic applications.

The integrated pulse-snubber offers a high degree of protection against cavitations and liquid hammer, and the well thought out design results in excellent vibration stability and an exceptional robustness. The high degree of EMI protection equips the pressure transmitter to meet the most stringent industrial requirements.

### Dimensions



Deutsch DT04	Output signal 10-90% of supply
1	Supply -
2	Supply +
3	Not used
4	Output +

### Mating Connector Kit Order Number

Description	Quantity	Ordering number
Mating connector	1	Deutsch® DT06-4S
Wedge lock	1	Deutsch® W4S
Socket contact (16 and 20 AWG/0.5-1.3 mm <sup>2</sup> )	3	Deutsch® 0462-201-1631 (female)
Plug for not used pin 3	1	Plug Deutsch 114017
Danfoss mating connector kit	1	11084525

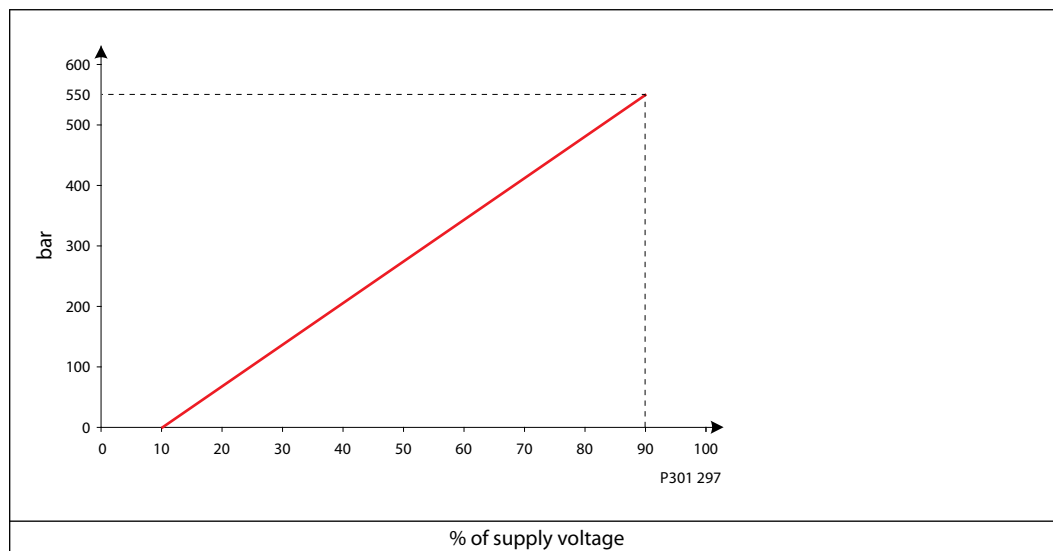
**General Data**

**Pressure Sensor**

*Technical Data*

	Min.	Nom.	Max.	Units	Comments
Pressure range charge pressure	0		55	bar	Part Number 11082093
Pressure range high pressure	0		550	bar	Part Number 11082094
Proof pressure	3x pressure range				
Burst pressure	7x pressure range				
Lifetime	>10 <sup>7</sup> pressure cycles				
	0 ... 100% FS				
Output signal range (see below graphic)	10	50	90	% Ratio metric output voltage	
Accuracy			±0.50	% FS	
Stability			±0.10	% /year	
Compensated temperature	-40		125	°C	
Thermal zero point shift			± 0.15	%FS/10K	
Thermal sensivity (span) shift			± 0.15	% FS/10K	
Hysteresis and repeatability			± 0.10	% FS	

*Pressure vs. Output Signal*



*Technical Data*

	Min.	Nom.	Max.	Units	Comments
Supply voltage	4.5	5.0	5.5	V DC	Regulated supply voltage must be provided. Sensor has reverse polarity protection and 35V over voltage protection.
Supply - current consumption			4.5	mA	
Load resistance [RL] (to 0V)	10			kΩ	
Output impedance			90	Ω	

**General Data**

*Technical Data (continued)*

		Min.	Nom.	Max.	Units	Comments
Wire fault detection		Short to supply				
Wire fault detection		Short to ground				
Protection code IP-class		IP67 and IP69K				IP67 w/o connector installed IP69k depends on mating connector
EMC-emission test levels		EN 61000-4-8, EN 61000-4-3, EN 61000-4-2, EN 61000-4-6, EN 61000-4-4, EN 61000-4-5, EN 55022, EN 61000-6-3				
EMC-immunity (EMI)	Standard	EN 61000-4-3				
	Strip line	100V/m, 80Mhz-1Ghz				
	Absorber lines chamber	30V/m, 1.4Ghz-2.7Ghz				
ESD	Standard	EN 61000-4-2:				
	Air discharge	15 kV				
	Contact discharge	8 kV				
Automotive electrical transients		Comply with ISO7637				
Operating fluids		Hydraulic fluids according to Manual BC152886484524				
Operating temperature range		-40		125	°C	
Ambient temperature range		-40		100	°C	
Storage/transport temperature		-40		125	°C	
Assembly torque		35		38	Nm	

**Products we offer:**

- Cylinders
- Electric converters, machines, and systems
- Electronic controls, HMI, and IoT
- Hoses and fittings
- Hydraulic power units and packaged systems
- Hydraulic valves
- Industrial clutches and brakes
- Motors
- PLUS+1® software
- Pumps
- Steering
- Transmissions

**Danfoss Power Solutions** designs and manufactures a complete range of engineered components and systems. From hydraulics and electrification to fluid conveyance, electronic controls, and software, our solutions are engineered with an uncompromising focus on quality, reliability, and safety.

Our innovative products makes increased productivity and reduced emissions a possibility, but it's our people who turn those possibilities into reality. Leveraging our unsurpassed application know-how, we partner with customers around the world to solve their greatest machine challenges. Our aspiration is to help our customers achieve their vision — and to earn our place as their preferred and trusted partner.

**Go to [www.danfoss.com](http://www.danfoss.com) or scan the QR code for further product information.**

**Hydro-Gear**

[www.hydro-gear.com](http://www.hydro-gear.com)

**Daikin-Sauer-Danfoss**

[www.daikin-sauer-danfoss.com](http://www.daikin-sauer-danfoss.com)

**Danfoss  
Power Solutions (US) Company**  
2800 East 13th Street  
Ames, IA 50010, USA  
Phone: +1 515 239 6000

**Danfoss  
Power Solutions GmbH & Co. OHG**  
Krokamp 35  
D-24539 Neumünster, Germany  
Phone: +49 4321 871 0

**Danfoss  
Power Solutions ApS**  
Nordborgvej 81  
DK-6430 Nordborg, Denmark  
Phone: +45 7488 2222

**Danfoss  
Power Solutions Trading  
(Shanghai) Co., Ltd.**  
Building #22, No. 1000 Jin Hai Rd  
Jin Qiao, Pudong New District  
Shanghai, China 201206  
Phone: +86 21 2080 6201

Danfoss can accept no responsibility for possible errors in catalogues, brochures and other printed material. Danfoss reserves the right to alter its products without notice. This also applies to products already on order provided that such alterations can be made without subsequent changes being necessary in specifications already agreed. All trademarks in this material are property of the respective companies. Danfoss and the Danfoss logotype are trademarks of Danfoss A/S. All rights reserved.