

Data Sheet

# Open Circuit Pumps

## X1P Frame C

Developed on the all-new X1 Platform, X1P is a family of mobile axial piston pumps designed to deliver the combined excellence of over 40 years of Danfoss industry experience in open circuit systems.

X1P elevates the standard of performance relative to existing open circuit pumps, creating a top-tier product in the mobile equipment market. It's patent-pending swashplate design and novel component integration deliver best-in-class 75cc length, increased efficiency, and ideal control performance.

Frame C is the first X1P frame size, which offers displacements from 60 to 75cc. Ratings vary based on selected configuration, reaching speeds up to 2600 rpm and pressures of 310 bar [4500 psi]. A broad selection of Load Sensing and Power Management control options such as Electronic Displacement Control deliver the flexibility you need to span diverse machine applications.

X1P is PLUS+1<sup>®</sup> Compliant. With robust designs and proven reliability in the test lab and the field, X1P sets the standard for market quality. Danfoss pumps are supported by a global network of authorized service centers.



### Features

#### Novel and Heavy-Duty Design

- Class-exclusive roller element cradle bearings
- Patent-pending swashplate installation technique
- Noise optimized interior housing ribbing
- Angled control mounting interface
- Optional Internal case drain

#### Performance Advantages

- Lower friction and leakage losses
- Higher temperature ratings
- Shortest overall length in 75cc class
- Ideally tuned frequency spectrum
- Eliminated construction passages
- Recycles natural kit losses

#### Application Benefits

- Higher efficiency and better controllability
- Less cooling power needed and smaller radiators
- Less installation space required
- Improved sound quality and operator comfort
- Fewer leak points
- Eliminates cost and leak points of case drain hoses

#### Planned Mechanical and Electronic Options

- Pressure Compensating
- Load Sensing
- Torque Control

- 12 / 24V Displacement Control (EDC)
- 12V Fan Drive Control (FDC)
- 12 / 24V Pressure Control (EPC)
- Load Sensing (ELS)
- Torque Limiting (ETL)

Contact your Danfoss Representative for option availability and timing

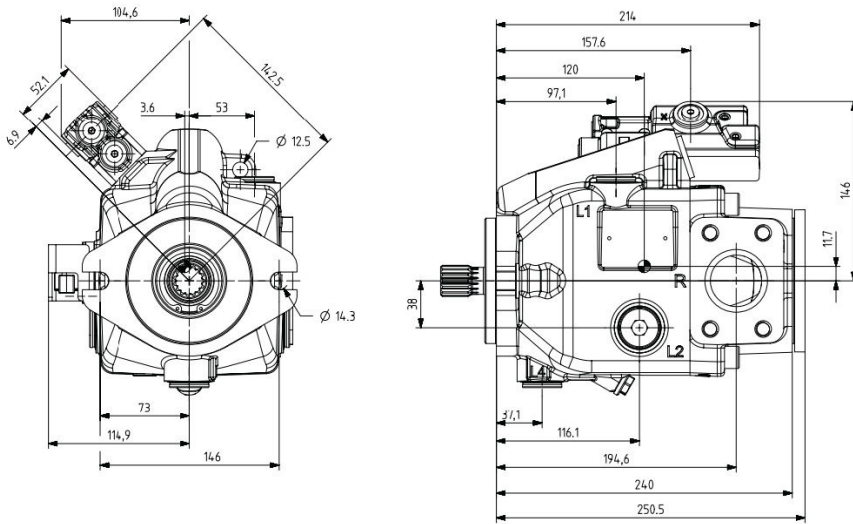
Comprehensive technical literature is online at [www.danfoss.com](http://www.danfoss.com)

X1P Frame C Specifications

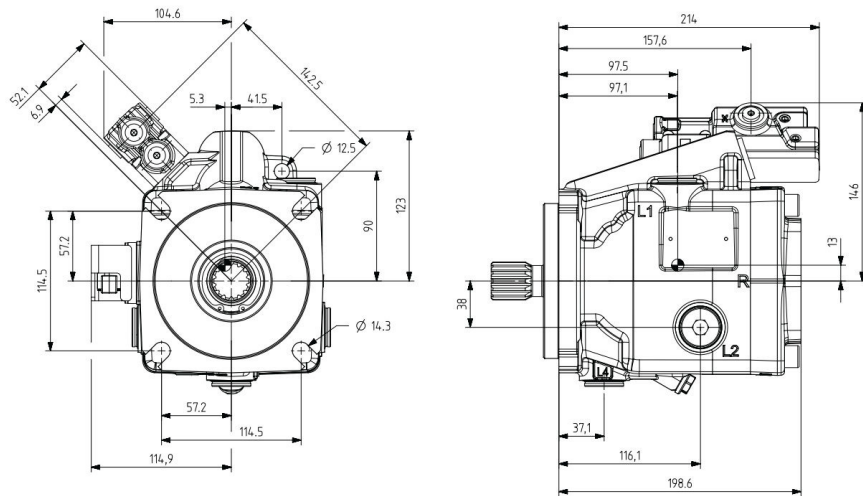
<b>Maximum displacement</b>	cm <sup>3</sup> [in <sup>3</sup> ]	60 [3]	75 [4]
<b>Cont. working pressure</b>	bar [psi]	310 [4500]	280 [4060]
<b>Max working pressure</b>		400 [5800]	350 [5075]
<b>Continuous input speed</b>	min <sup>-1</sup> (rpm)	2600	2400
<b>Theoretical flow</b>	l/min [US gal/min]	156 [41]	180 [47]
<b>Weight</b>	kg [lb]	28 [62]	28.5 [62]

**Dimensions**

*Radial 2 bolt C*



*Axial 4 bolt C*



Danfoss can accept no responsibility for possible errors in catalogues, brochures and other printed material. Danfoss reserves the right to alter its products without notice. This also applies to products already on order provided that such alterations can be made without subsequent changes being necessary in specifications already agreed. All trademarks in this material are property of the respective companies. Danfoss and the Danfoss logotype are trademarks of Danfoss A/S. All rights reserved.