



www.esbe.se

Mtrl.nr. 98 14 03 50 • Ritn.nr. 9177 utg. pA1 • Rev. 0904



SERIES VRG130



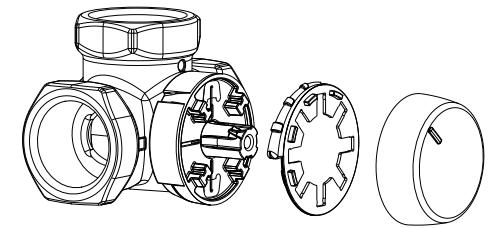
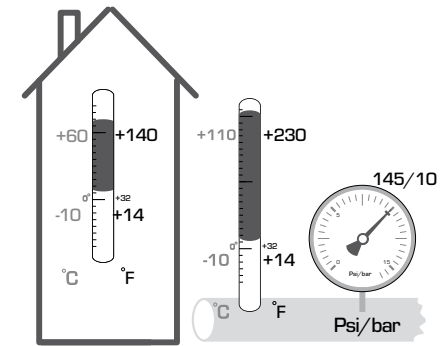
NO.1 IN HYDRONIC SYSTEM CONTROL



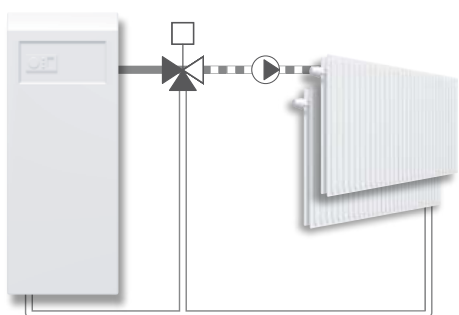
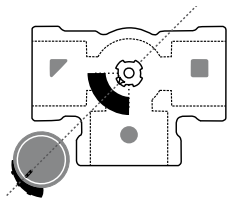
Series VRG131

CE

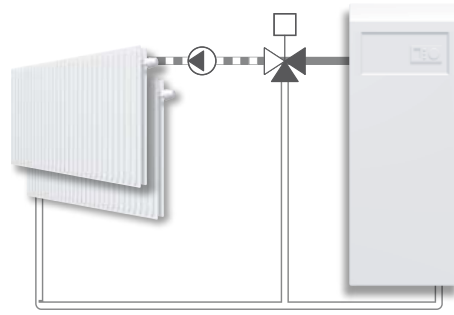
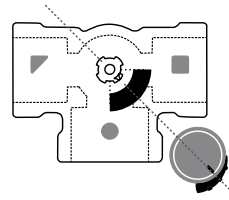
Pressure Equipment Directive 97/23/EC



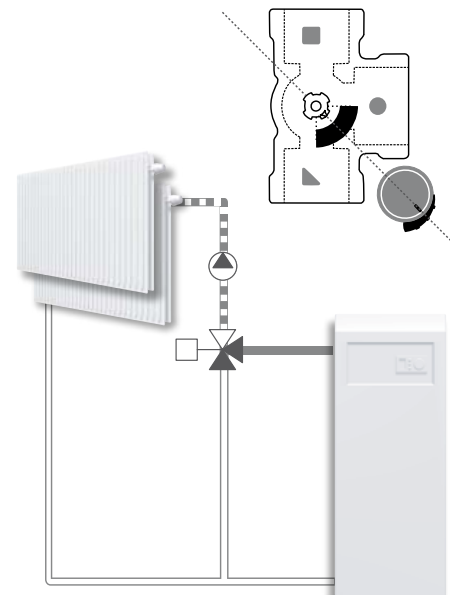
1a



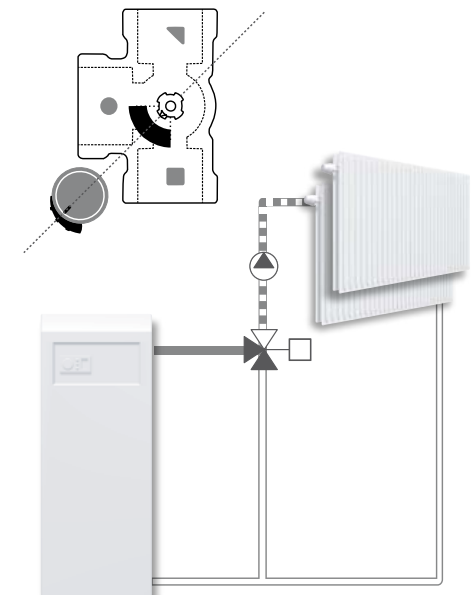
1b



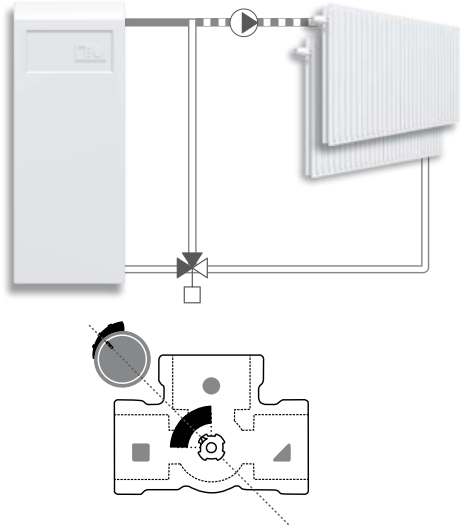
2a



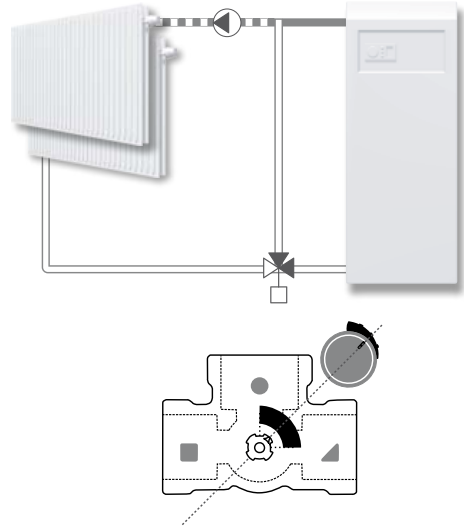
2b



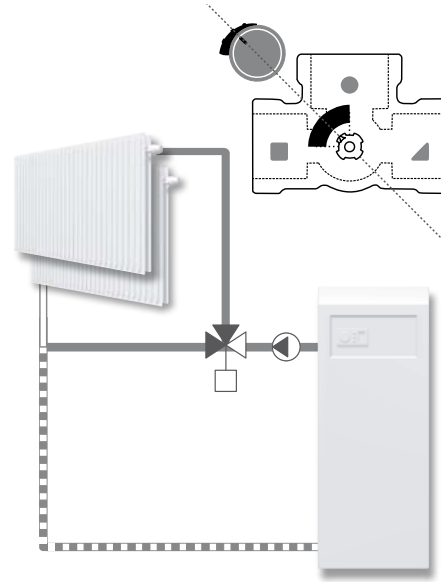
3a



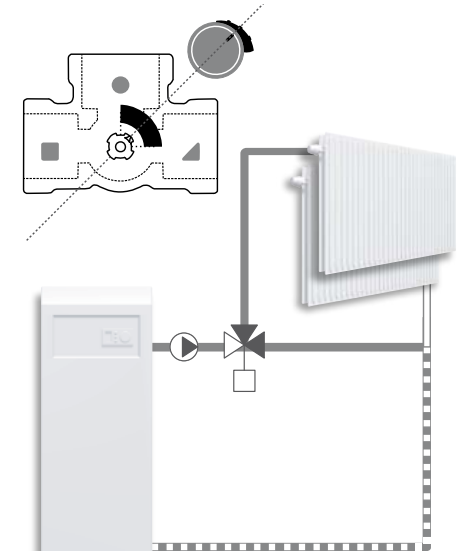
3b



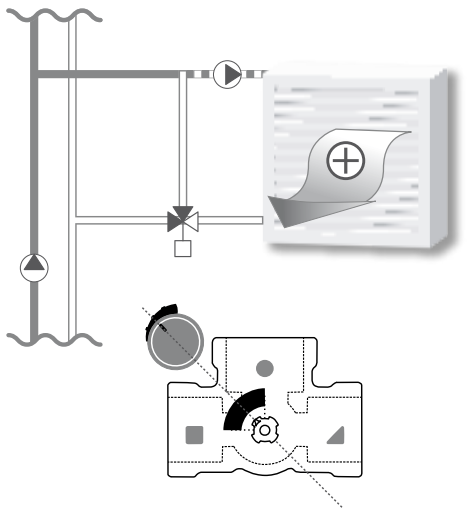
4a



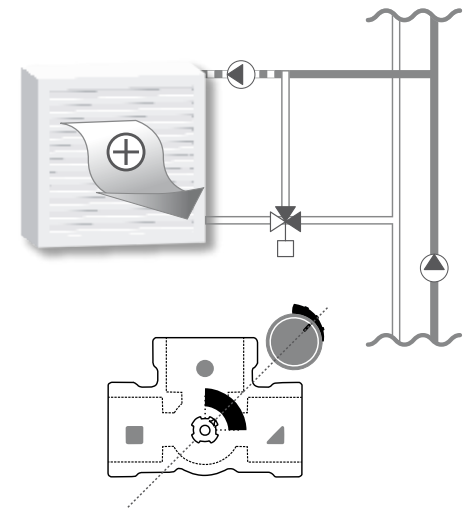
4b



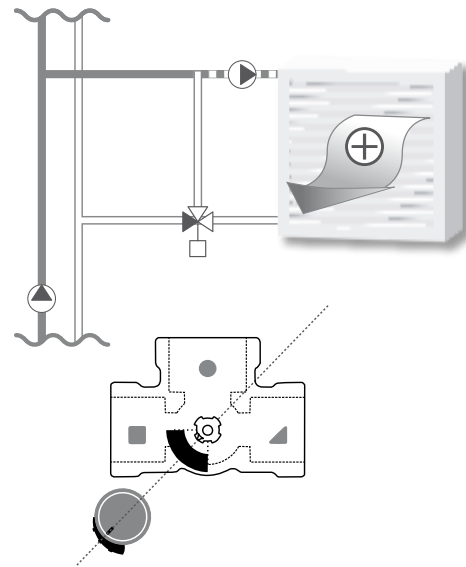
5a



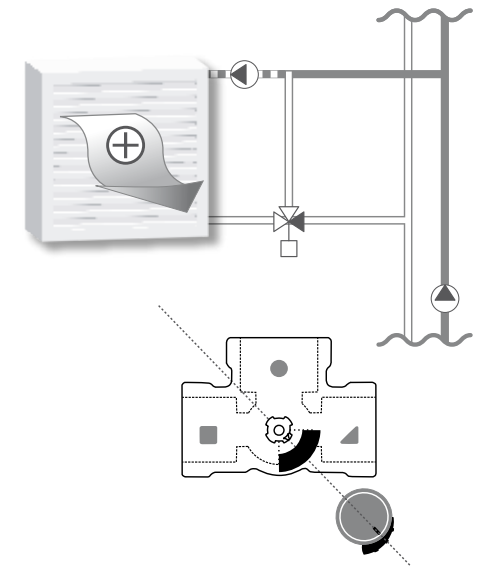
5b



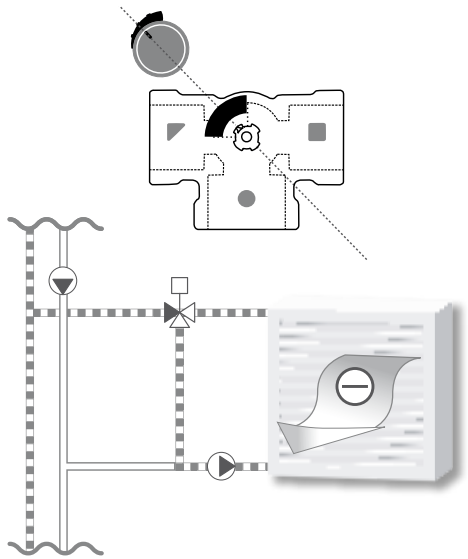
6a



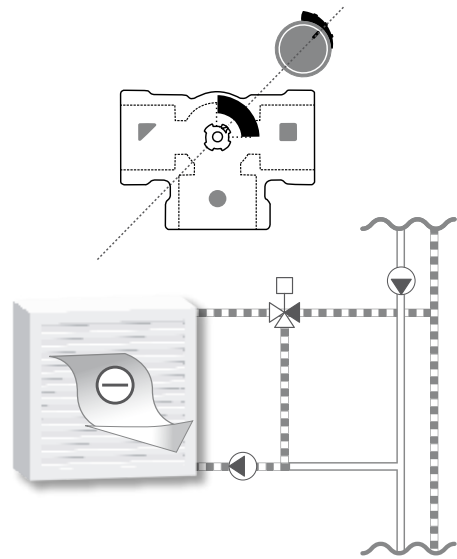
6b



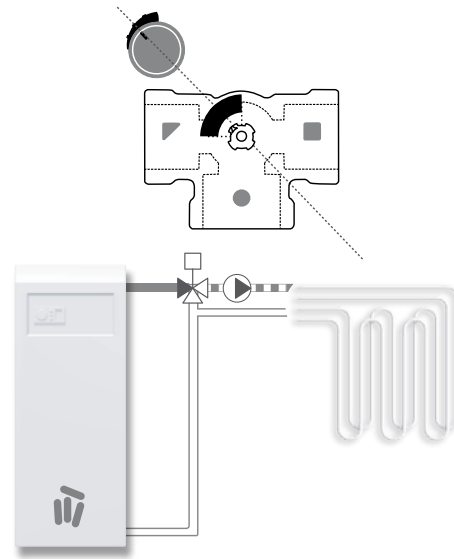
7a



7b



8a



8b

