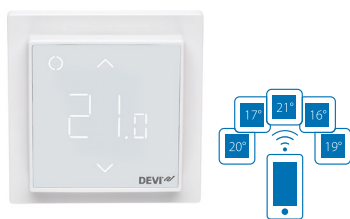


DEVireg™ Smart



The **DEVireg™ Smart** is an intuitive programmable timer thermostat to be connected to Wi-Fi and DEVIsmart™ App controllable from anywhere, at any time. The thermostat is primarily used for controlling electrical floor heating elements. The thermostat is designed for fixed installation only and due to the special designed 2-part

construction it fits a wide range of frames and sensors.

The DEVireg™ Smart is fast and intuitive to setup using the App wizard. It has an open window detector and energy-saving program including an optimum start/end control ensuring the desired temperature at the correct time and thereby reducing the heating costs.

Benefits:


- Wi-Fi Connectivity
- Remote Controllable via DEVIsmart™ App
- A single DEVireg™ Smart thermostat can be paired with up to 10 mobile devices using DEVIsmart™ App
- Can communicate with two mobile devices simultaneously
- Adaptive PWM function
- Fits many foreign single and multiple frames
- Fits many foreign competitive NTC sensors

Standard compliance:

- EN/IEC 60730-1 (general)
- EN/IEC 60730-2-9 (thermostat)
- EN 300 328 (Wi-Fi)

Compliance symbols:



Type	Value
Operation voltage	220 V- 240 V~ 50/60 Hz
Standby power consumption	max. 0,40 W
Relay: Resistive load Inductive load	16A / 3680 W @ 230 V 1A (Cos Φ = 0,3)
Sensing unit	NTC 15 kΩ @ 25 °C, 3 m. (default), NTC 6,8 kΩ @ 25 °C, NTC 10 kΩ @ 25 °C, NTC 12 kΩ @ 25 °C, NTC 33 kΩ @ 25 °C, NTC 47 kΩ @ 25 °C
Regulation	PWM - Pulse Width Modulation
Ambient temperature	0 °C to 30 °C
Frost protection	5 °C to 9 °C (default 5 °C)
Temperature range	5 °C to 35 °C (room) 5 °C to 35 °C (45°C with break out) (floor)
Storage temperature	-25 °C to 60 °C, 90% RH non-condensing
Cable specification for connector terminals	Max: 1 x 4 mm ² or 2 x 2,5 mm ²
Ball pressure test temperature	75 °C
Pollution degree	2 (domestic use)
Controller type	1 B
Software class	A
Expected Wi-Fi data use	125 kByte / 24h, 3,9 Mb / month
IP class	21
Protection class	Class II - 
Battery type or Name	Coin battery Manganese Lithium
Dimensions (H/W/D)	85 mm x 85 mm x 20-24 mm (in-wall depth: 22 mm)
Weight	127 g
DEVIsmart™ App	1 App can control up to 40 thermostats 10 Apps can be connected to 1 thermostat 2 Apps can control one thermostat at the same time

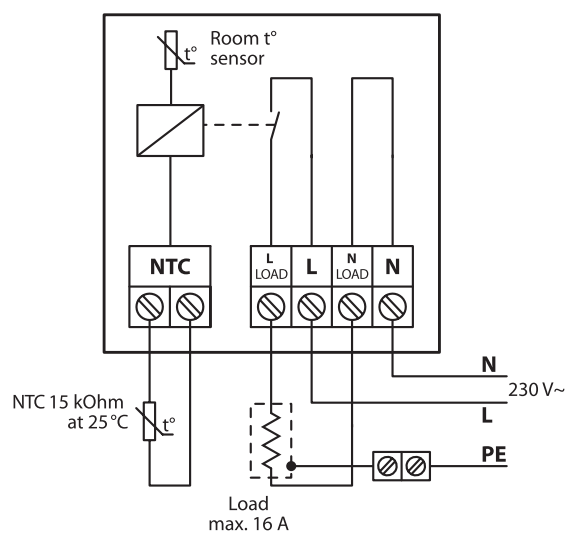
Types: DEVireg™ Smart

Item no.	Product name	Type	EAN no.
140F1140	DEVireg™ Smart - Polar White	RAL 9016	5703466239629
140F1141	DEVireg™ Smart - Pure White	RAL 9010	5703466239636
140F1142	DEVireg™ Smart - Ivory	RAL 1013	5703466239643
140F1143	DEVireg™ Smart - Pure Black	RAL 9005	5703466239650
140F1067	Frame for DEVireg™ Touch - Pure white	RAL 9010	5703466221983



Try it!
Download the
DEVIsmart™ App

Connection scheme



Pure White



Polar White



Ivory



Pure Black

