

DEVIreg™ Touch



The **DEVIreg™ Touch** is an intuitive programmable timer thermostat used for controlling electrical floor heating elements. The thermostat is designed for fixed installation only and due to the special designed 2-part construction it fits a wide range of frames and sensors.

The DEVIreg™ Touch is fast and intuitive to setup using the built-in wizard. It has an energy-saving program – including an optimum start/end control ensuring the desired temperature at the correct time and thereby reducing the heating costs.

Benefits:


- Big 2" touch screen
- Built-in setup wizard
- Easy and intuitive functionalities
- Adaptive PWM function
- Fits several single and multiple frames
- Fits several competitor NTC sensors
- Optional code setup
- Easy online troubleshooting

Standard compliance:

- EN/IEC 60730-1 (general)
- EN/IEC 60730-2-9 (thermostat)

Compliance symbols:



| Type | Value |
|---------------------------------------------|--------------------------------------------------------------------------------------------------------------------------------------------------|
| Operation voltage | 220 V- 240V~ 50/60 Hz |
| Standby power consumption | max. 0.40 W |
| Relay: Resistive load Inductive load | 16A / 3680W @ 230V Cos Φ = 0.3 max. 1A |
| Sensing unit | NTC 15 kΩ @ 25 °C, 3 m. (default), NTC 10 kΩ @ 25 °C, NTC 6.8 kΩ @ 25 °C, NTC 33 kΩ @ 25 °C, NTC 12 kΩ @ 25 °C, NTC 47 kΩ @ 25 °C |
| Regulation | PWM - Pulse Width Modulation |
| Ambient temperature | 0 °C to 30 °C |
| Frost protection | 5 °C to 9 °C (default 5 °C) |
| Temperature range | 5 °C to 35 °C (room) 5 °C to 35 °C (45 °C with break out) (floor) |
| Storage temperature | -25 °C to 60 °C, 90% RH non-condensing |
| Cable specification for connector terminals | Max: 1 x 4 mm ² or 2 x 2.5 mm ² |
| Ball pressure test temperature | 75 °C |
| Pollution degree | 2 (domestic use) |
| Controller type | 1 B |
| Software class | A |
| IP class | 21 |
| Battery type or Name | Coin battery Manganese Lithium |
| Protection class | Class II -  |
| Dimensions (H/W/D) | 85 mm x 85 mm x 20-24 mm (in-wall depth: 22 mm) |
| Weight | 115 g |

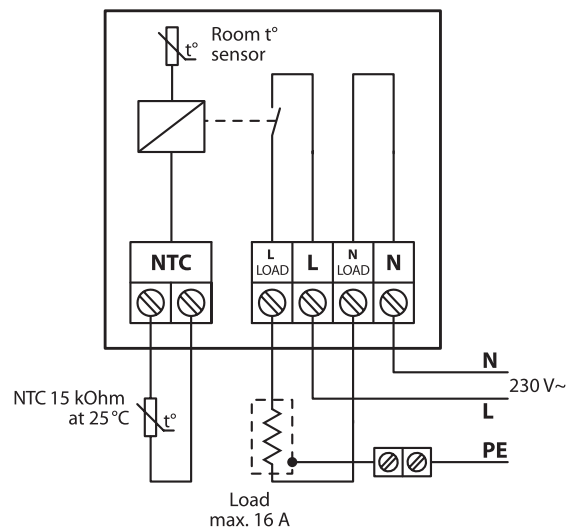
Types: DEVIreg™ Touch

| Item no. | Product name | Type | Language | EAN no. |
|----------|----------------------------------------------|----------------------------|----------|---------------|
| 140F1065 | DEVIreg™ Touch - Pure White | Frameless RAL 9010 | 1 | 5703466215142 |
| 140F1064 | DEVIreg™ Touch - Pure White | With design Frame RAL 9010 | 1 | 5703466215135 |
| 140F1068 | DEVIreg™ Touch - Pure White | With design Frame RAL 9010 | 2 | 5703466225592 |
| 140F1071 | DEVIreg™ Touch - Polar White | With design Frame RAL 9016 | 1 | 5703466225615 |
| 140F1069 | DEVIreg™ Touch - Pure Black | With design Frame RAL 9005 | 1 | 5703466225608 |
| 140F1078 | DEVIreg™ Touch - Ivory | With design Frame RAL 1013 | 1 | 5703466235492 |
| 140F1067 | Frame for DEVIreg™ Touch - Pure white | With design Frame RAL 9010 | | 5703466221983 |

1 - Contains languages: Bulgarian, Czech, Danish, English, Estonian, Finnish, French, German, Latvian, Lithuanian, Norwegian, Polish, Romanian, Russian, Slovenian, Slovak, Swedish, Ukranian.

2 - Contains languages: Chinese, Croatian, Dutch, English, Hungarian, Italian, Portuguese, Serbian, Spanish, Turkish.

Connection scheme



Polar White



Pure Black



Ivory



Pure White

