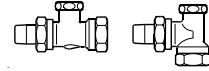




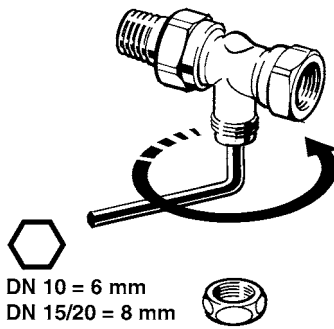
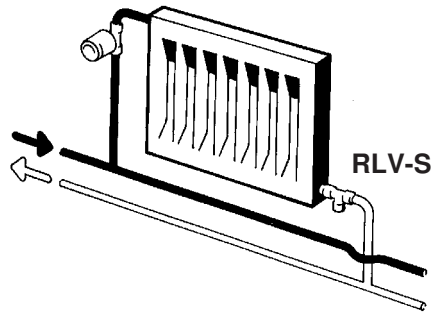
*Danfoss*

# INSTRUCTIONS RLV-S



013R9266

013R9266

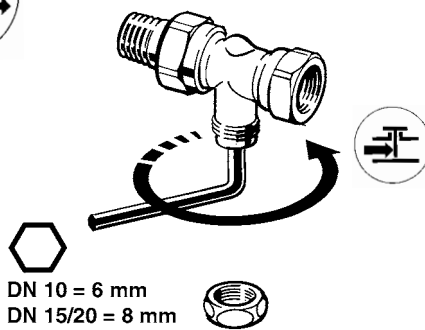


DN 10 = 6 mm  
DN 15/20 = 8 mm

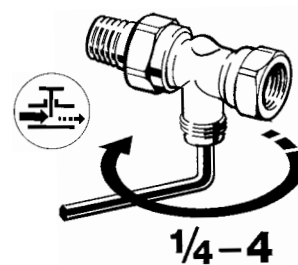


1)

2)



DN 10 = 6 mm  
DN 15/20 = 8 mm



1/4-4