

Data sheet

Oil Motor Pump type BFPM 61

Application

The BFPM range is a series of Danfoss oil pumps in combination with a highly efficient permanent magnet motor.

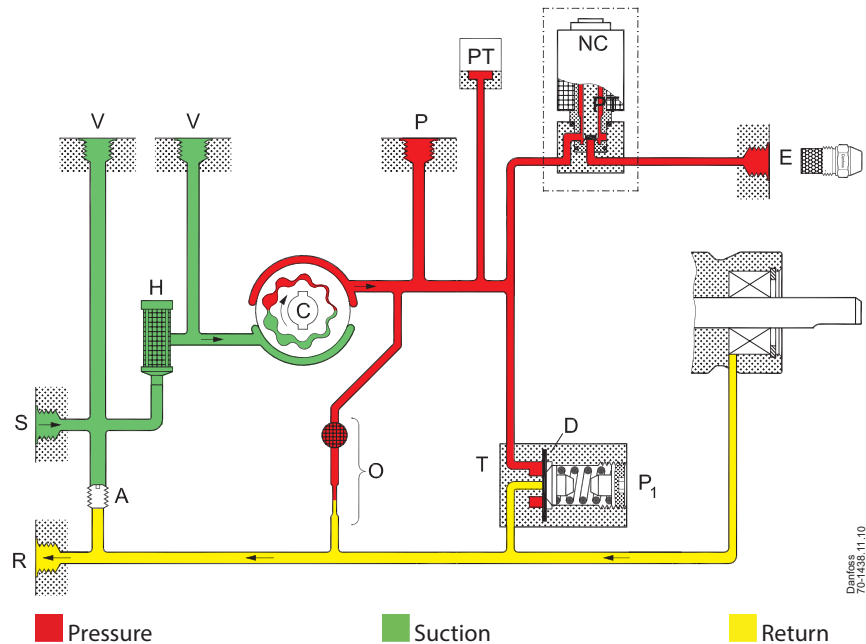
The BFPM Electronic Controller must be used for controlling BFPM motor pumps (see separate data sheet for BFPM Electronic Controller).

BFPM 61 is designed with a pressure transducer, which makes it ideal for small, modulating oil burners.

BFPM 61 features:

- Light oil and kerosene
- 1- or 2-pipe operation
- 1-stage modulating
- Built-in pressure regulator
- Solenoid valve cut-off
- Cartridge filter
- Pressure transducer
- Variable set points and up to 3 set-back periods per day

Function



From the suction inlet (S) oil is drawn through the filter (H) to the gear set, where the pressure is increased. When voltage is applied to the NC-valve, it opens and releases oil to the nozzle outlet.

The pressure transducer (PT) reports the achieved pressure and the control, in conjunction with the oil/air ratio control, regulates the motor speed. The built-in pressure regulator prevents overpressure. Default setting is 30 bar.

Cut-off function, solenoid valve

When the burner stops, the voltage to the NC-valve is cut off and the oil flow to the nozzle outlet is cut off immediately.

Bleeding

In 2-pipe systems the pump is self-priming, i.e. bleeding is performed via the constriction (O) to the return outlet (R).

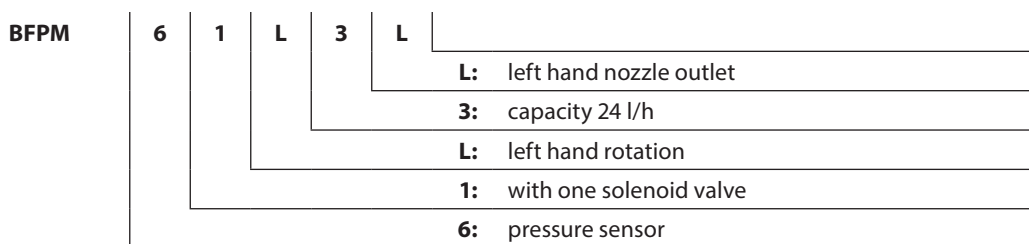
In 1-pipe systems with plugged return outlet (R), bleeding must be performed through the nozzle outlet (E) or the pressure gauge port (P).

Warranty

For pumps used outside the stated technical data and used with oil containing abrasive particles Danfoss cannot give any warranty.

Note! The solenoid valve must be replaced after 250.000 operations or 10 years (approved life expectancy).

Identification



Nozzle capacity at 4.3 cSt., 10 bar, 2800 min⁻¹

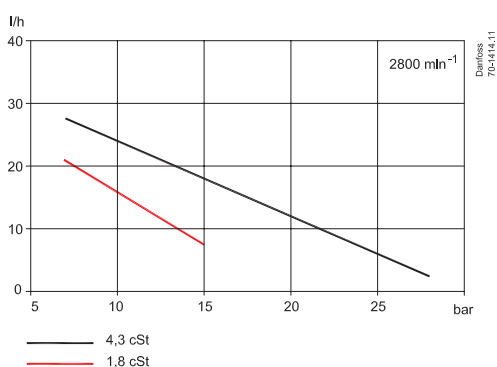
Technical Data

Oil types	Standard fuel gas oil and fuel gas oil acc. to DIN V 51603-6 EL A Bio-10 (max. 10% FAME)
Viscosity range (measured in suction inlet)	(1.3) 1.8 to 12.0 cSt. (mm ² /s)
Filter area/mesh	11/200 cm ² /µm
Pressure range ¹⁾	5 to 28 bar
Adjustable pressure, safety limitation	30 bar
Max. pressure in suction inlet/return outlet	2 bar
Speed	300 to 3400 min ⁻¹
Ambient/transport temperature	-20 to +70° C
Temperature of medium	0 to +70° C
Power supply/drive BFPM motor ²⁾	230 V switched from controller
Coil power consumption	9 W
Coil rated voltage (other voltages on request)	220/240 V, 50/60 Hz
Coil enclosure	IP 40

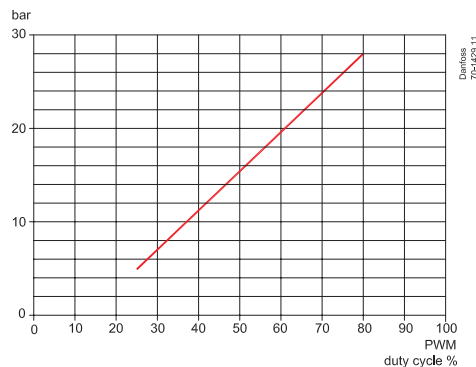
¹⁾ Max. 20 bar at 1.8 cSt.

²⁾ Warning: Do not connect BFPM motor directly to 230 V/50Hz power supply!

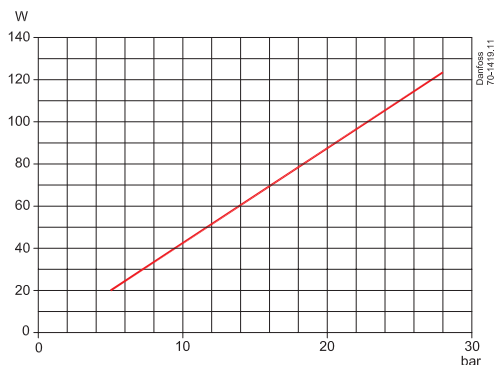
Nozzle capacity



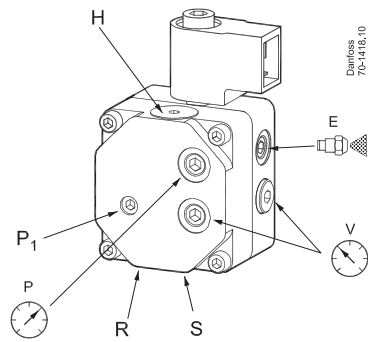
Modulation



Power consumption

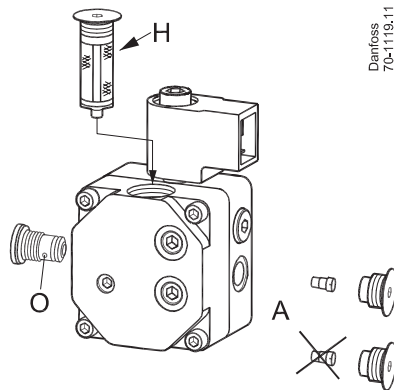


Connections



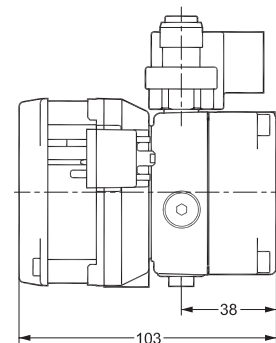
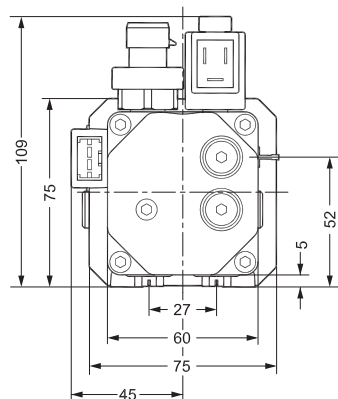
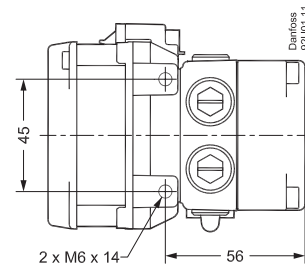
- P₁**: Pressure limiter
- S**: Suction inlet G1/4
- R**: Return outlet G1/4
- E**: Nozzle outlet G1/8
- P**: Pressure gauge port G1/8
- V**: Vacuum gauge port G1/8
- H**: Filter

Change-over and Filter Replacement

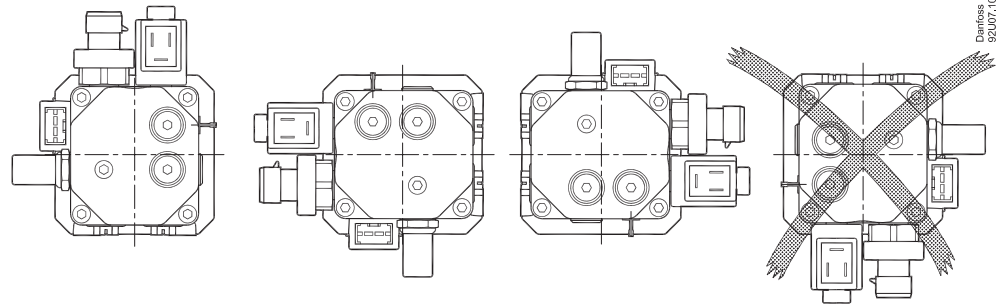


- H**: Filter
- A**: 2-pipe operation, with screw
1-pipe operation, without screw
- O**: Constriction with filter

Dimensions



Mounting



Additional documentation on burner components is available on <http://heating.danfoss.com/>

Danfoss A/S

Climate Solutions • danfoss.com • +45 7488 2222

Any information, including, but not limited to information on selection of product, its application or use, product design, weight, dimensions, capacity or any other technical data in product manuals, catalogues descriptions, advertisements, etc. and whether made available in writing, orally, electronically, online or via download, shall be considered informative, and is only binding if and to the extent, explicit reference is made in a quotation or order confirmation. Danfoss cannot accept any responsibility for possible errors in catalogues, brochures, videos and other material. Danfoss reserves the right to alter its products without notice. This also applies to products ordered but not delivered provided that such alterations can be made without changes to form, fit or function of the product.

All trademarks in this material are property of Danfoss A/S or Danfoss group companies. Danfoss and the Danfoss logo are trademarks of Danfoss A/S. All rights reserved.