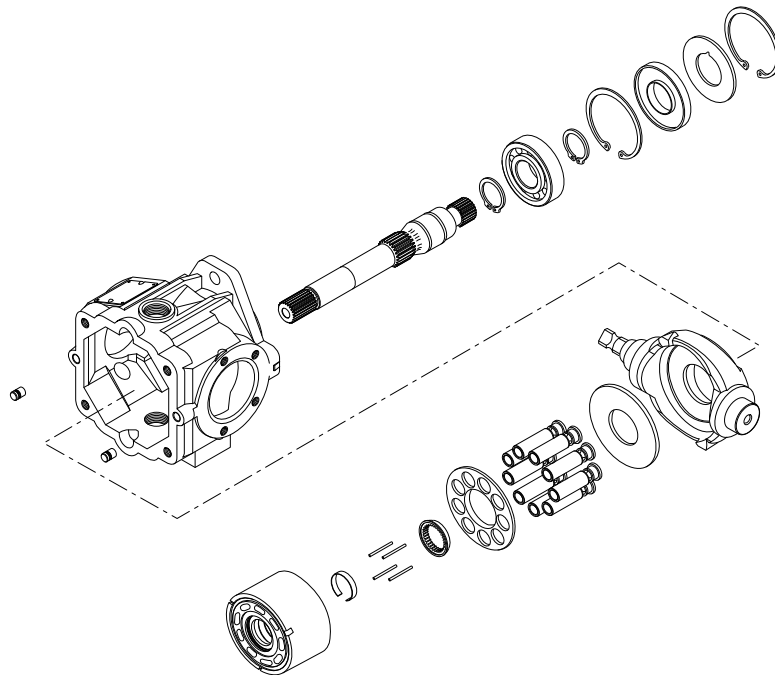


Parts Manual

Series 40 MPV035D and MPT035D Axial Piston Pumps



Revision history

Table of revisions

| Date | Changed | Rev |
|------------|--|------|
| March 2018 | Updated to Engineering Tomorrow design and added SB-2017-012 | 0301 |

Contents

General information

| | |
|---|----|
| Service Parts Identification..... | 5 |
| Nameplate..... | 5 |
| Date code..... | 6 |
| About service bulletins..... | 6 |
| Procedure to identify a part..... | 7 |
| Example of a part identification (MPV035D)..... | 7 |
| Adobe Acrobat 2-page viewing..... | 8 |
| Order code, variable displacement pump..... | 9 |
| Order code, tandem pump..... | 10 |

Variable displacement pump

| | |
|--|----|
| Common parts and special hardware..... | 12 |
| Swashplate..... | 14 |
| Shaft and shaft seal..... | 16 |
| Valve plate rotation..... | 18 |
| Charge pump..... | 20 |
| Charge pressure relief/setting..... | 22 |
| S40 MPV charge pressure relief valve C-..... | 22 |
| Charge pressure relief valve N-W..... | 24 |
| Filtration..... | 26 |
| System pressure protection..... | 28 |
| System pressure protection CCA-DAH..... | 28 |
| System pressure protection DAJ-EFF..... | 32 |
| Direct displacement control..... | 34 |
| Auxiliary mounting pad..... | 36 |
| Auxiliary mounting pad A-F..... | 36 |
| Aux mounting pad H-M..... | 40 |
| S40 MPV seal kit..... | 42 |
| Notes..... | 43 |

Variable displacement tandem pump

| | |
|---|-----|
| Common parts and special hardware..... | 44 |
| Common parts..... | 44 |
| Special hardware GNJ-GUG..... | 46 |
| Special hardware NGC-NVC..... | 48 |
| Swashplate..... | 50 |
| Shaft and shaft seal..... | 52 |
| Valve plate rotation..... | 54 |
| Charge pump..... | 58 |
| Charge pressure relief/setting..... | 60 |
| Charge pressure relief valve A-E..... | 60 |
| Charge pressure relief valve F-P..... | 62 |
| Filtration..... | 66 |
| System pressure protection..... | 68 |
| System pressure protection AAA-CBA..... | 68 |
| System pressure protection (front pump) CCA-DAH..... | 72 |
| System pressure protection (front pump) DAJ-ETT..... | 76 |
| S40 MPT system pressure protection (rear pump) AAA-CBA..... | 78 |
| System pressure protection (rear pump) CCA-ETT..... | 82 |
| Direct displacement control..... | 84 |
| DDC (front pump) DA-DR..... | 84 |
| DDC (front pump) DS-WN..... | 86 |
| DDC (rear pump) DA-DN..... | 88 |
| DDC (rear pump) DR-DW..... | 92 |
| DDC (rear pump) DX-WN..... | 94 |
| Auxiliary mounting pad..... | 96 |
| Auxiliary mounting pad 1-6..... | 96 |
| Auxiliary mounting pad A-G..... | 98 |
| Auxiliary mounting pad H-P..... | 102 |

Contents

S40 MPT overhaul seal kit..... 104

Service bulletin

SB-1996-014.....105
SB-1998-092.....107
SB-1999-040.....109
SB-2000-026A.....110
SB-2002-021.....111
SB-2003-018.....113
SB-2010-037.....114
SB-2013-002.....116
SB-2017-012.....117

General information

Service Parts Identification

The following information and procedure is used to identify the module group, item number, manufacture date, part number, and part name of the parts included in the

The parts listed include all parts which may be used when performing either "Minor Repairs", "Major Repairs" or "Conversions" on the.

Nameplate

Each unit will have a nameplate affixed to the housing. The nameplate will include the following information:

Model Code

The Danfoss model code completely defines the specific unit and must be used when ordering parts to service this product.

Model Number

The Danfoss model number is used by the factory in manufacturing. On repeat orders, a complete unit can be ordered by the model number.

Serial Number

The Danfoss serial number is used to identify the manufacture date and the unit sequence in the build. The serial number is also used to identify the units warranty time period.

The letter code indicates the location of original manufacture (assembly).

The first number (2 digits) indicates the year of manufacture. The second number (2 digits) indicates the calendar week of manufacture.

The third number (5 digits) is a sequential number used to identify a specific unit.



General information

Date code

The date code is defined as the year and week of manufacture. The same item number may list more than one part number. This indicates that there is more than one configuration for that item number. You will see that there are different date codes for the different part numbers. Find the date code of your unit from the nameplate to determine which service part number you need to order.

Example: The service part desired is item G30

| Order Code | Item | Date Begin | Date End | Part Number | Part Name | Qty. per Model/Kit |
|------------|------|------------|----------|-------------|------------------------------|--------------------|
| 80 | G30 | 89-17 | | 8000243 | End cap gasket | 1 |
| | G30 | | 89-16 | 8000151 | End cap gasket (SB-1995-006) | 1 |

All units using this order code with a date code prior to 89-17 must use part number "8000151." All units with a date code of 89-17 and newer must use part number "8000243."

About service bulletins

A Service Bulletin Number (SB-____-____) may follow the "Part Name" of the part you desire. You must read that Service Bulletin prior to ordering that part. The information contained in these Service Bulletins, as of the print date of this bulletin, are included at the end of this manual. Service Bulletins contain more detailed information such as interchangeability, what additional parts are involved, etc. It is suggested that you add additional Service Bulletins to this manual as you receive them.

General information

Procedure to identify a part

The modular design of this product results in a simplified service parts list and part number identification procedure.

The same item numbers are used for same part names on all units within a product type..

A part number that has another number following it in parentheses is done to make this a world wide manual. The first number is sold in Germany. The number in parentheses is sold in the United States (example: 314583 (9008000-0118), customers would order 9008000-0118 if ordering the part in the United States).

Example of a part identification (MPV035D)

The nameplate on a Series 40 pump has an Order Code of MPV-035-D-B-A-G-L-S-G-AA-A-A-BGG-DR-A-FF-C-NNN. Use the following steps to determine the part number of the drive shaft used on this pump.

1. Referring to the input shaft module in the *Order code, variable displacement pump*, the output shaft option for this motor is identified by the code **G**. (MPV-035-D-B-A-**G**-L-S-G-AA-A-A-BGG-DR-A-FF-C-NNN).
2. Referring to the Service Parts List, find the shaft group.
3. Find the order code that relates to this unit, which is **G**.
4. Use the shaft item string (E01) to find the part number.

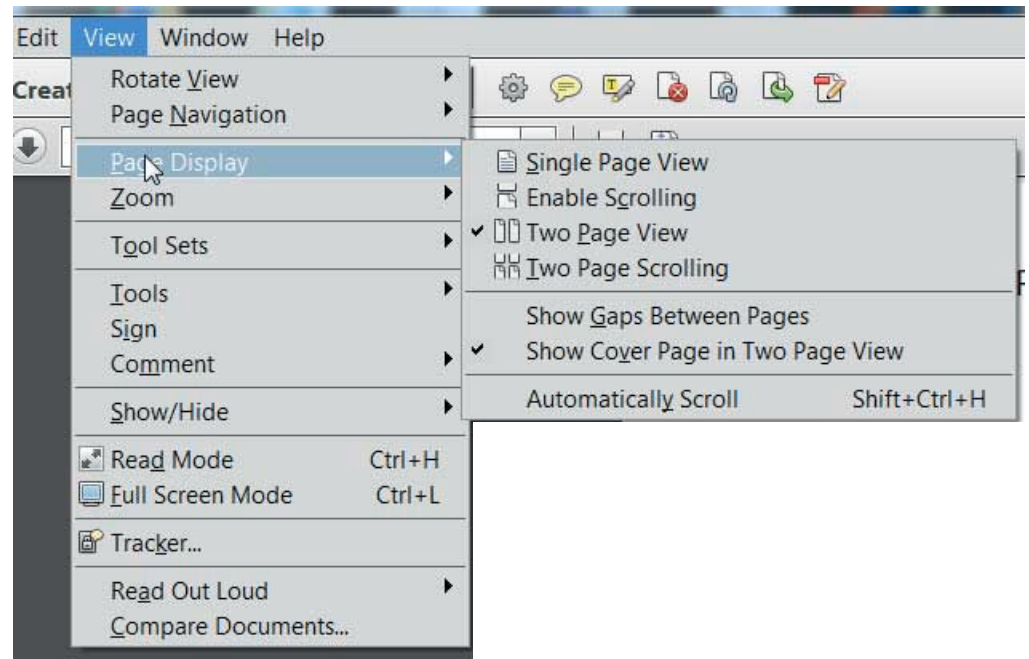
The part number found is 4350431.

General information

Adobe Acrobat 2-page viewing

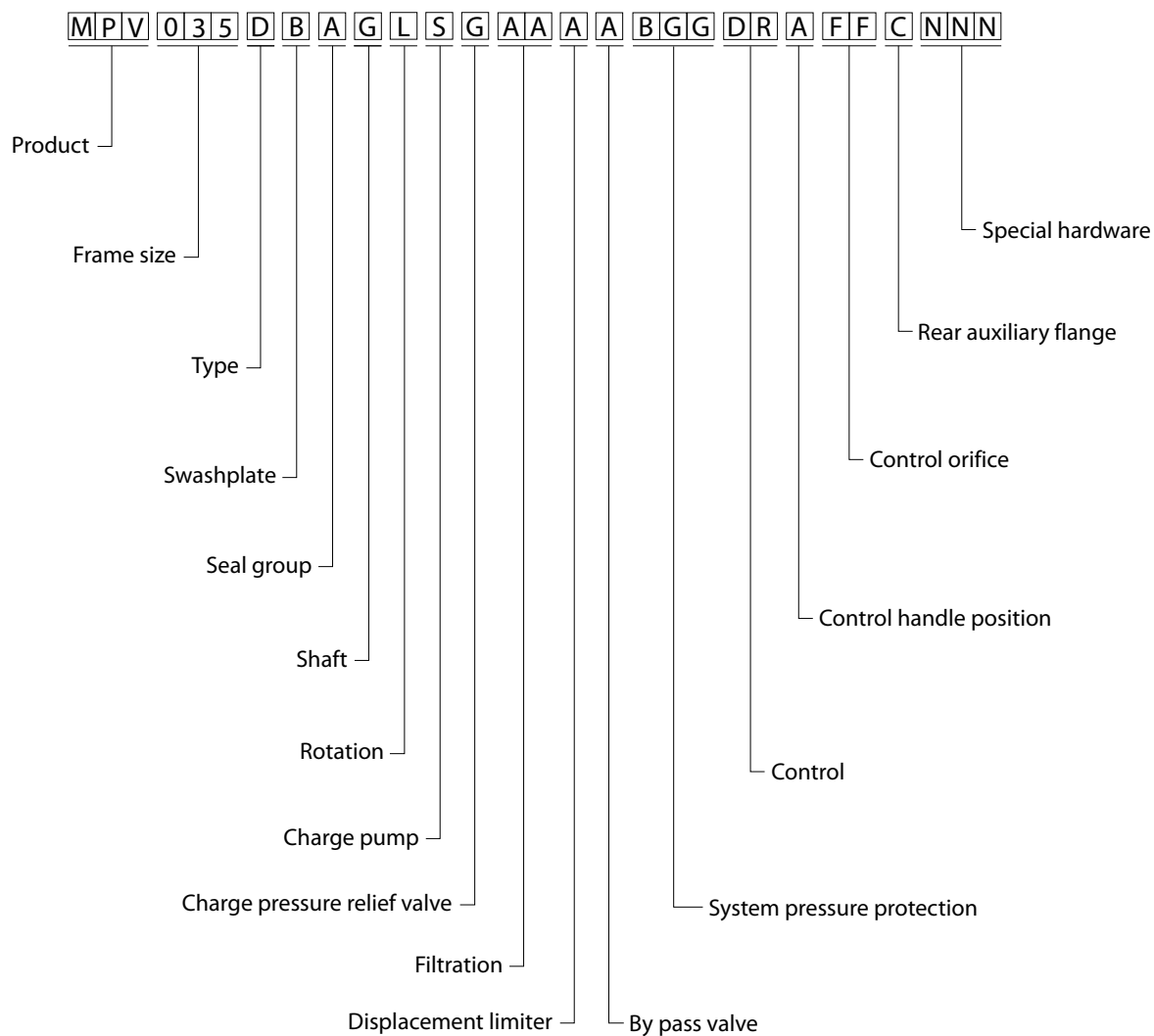
While viewing manual in Adobe Acrobat, the following settings need to be applied to ensure proper page display.

1. Select "View" → "Page Display" → "Two Page View"
2. Select "View" → "Page Display" → "Show Cover Page in Two Page View"



General information

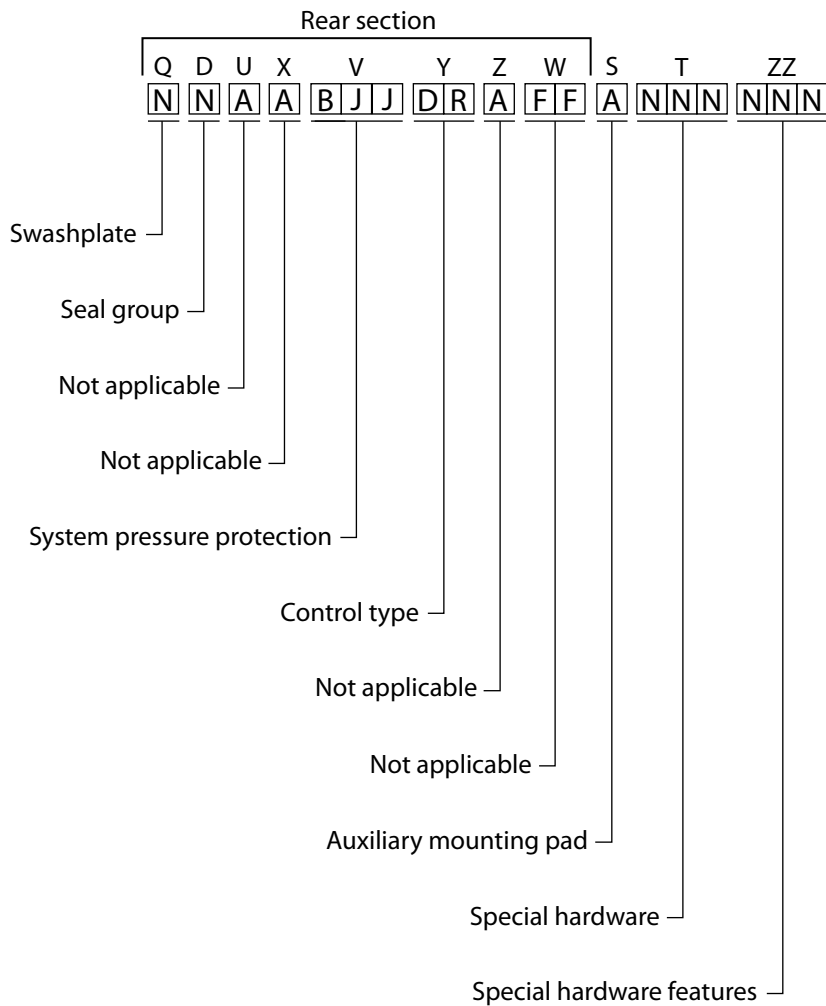
Order code



General information

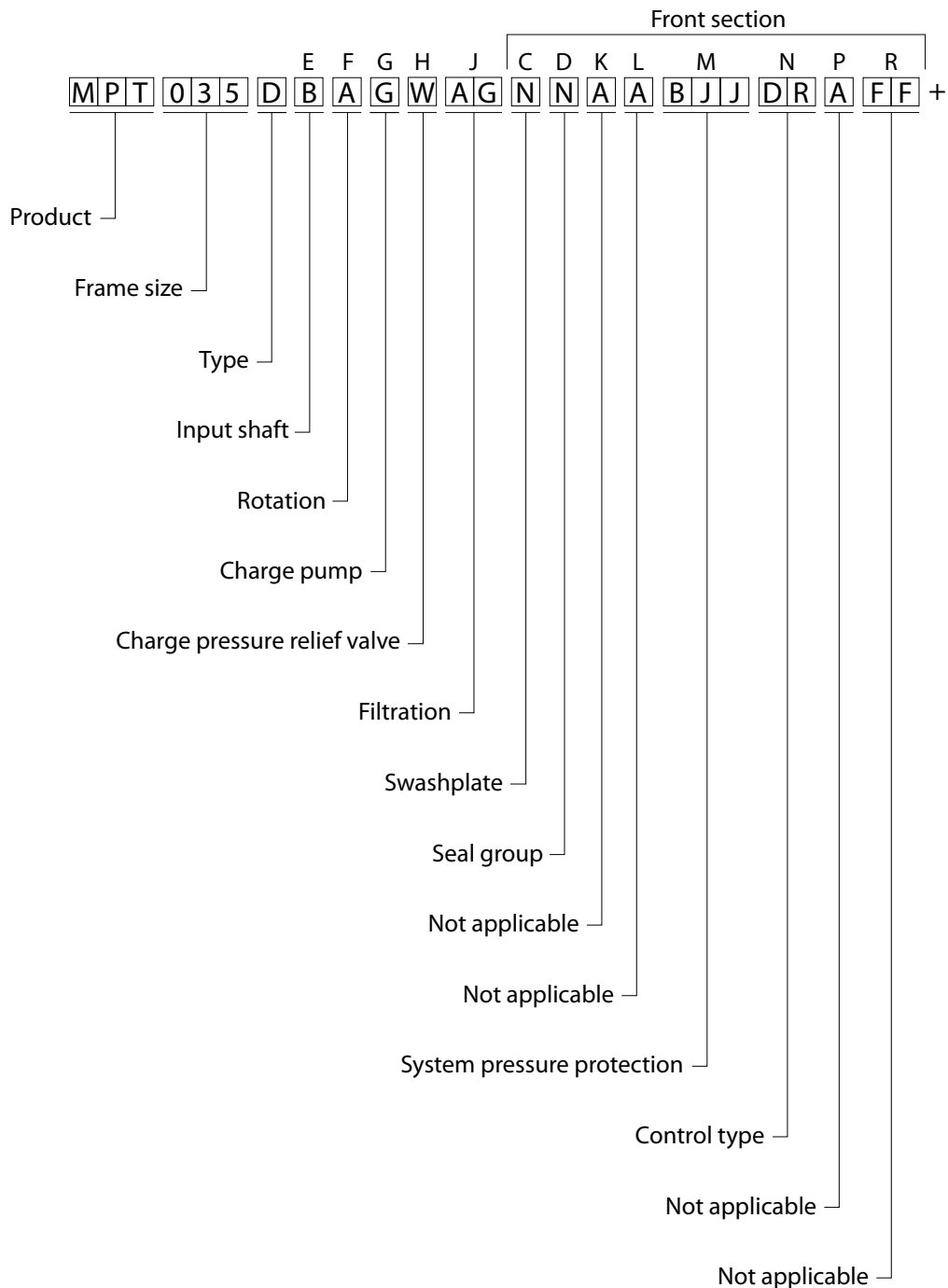
Order code, tandem pump

Rear tandem section



General information

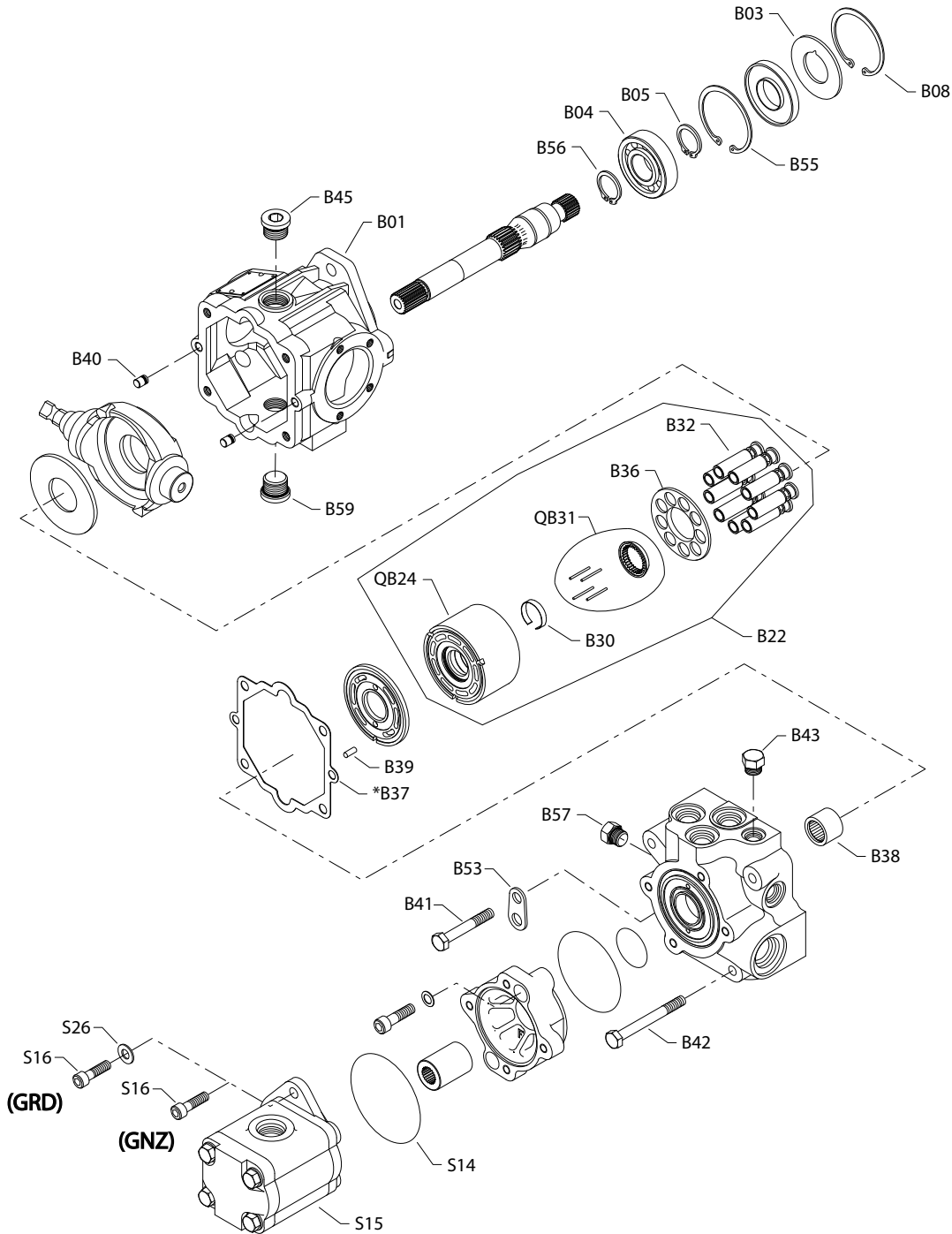
Front tandem section



Variable displacement pump

S40 MPV common parts and special hardware

Parts configuration



* Included in overhaul seal kit Q210

Variable displacement pump

Common parts

| Item | Date Begin | Date End | Part Number | Part Name | Qty. per Model/Kit |
|------|------------|----------|-----------------------|---|--------------------|
| B01 | 95-45 | | 4350350 | Housing | 1 |
| B03 | 95-45 | | 11083729 | Seal support washer | 1 |
| B04 | 95-45 | | 5000731 | Ball bearing | 1 |
| B05 | 95-45 | | 9006300-0137 | Retaining ring | 1 |
| B08 | 95-45 | | 9006200-0281 | Retaining ring | 1 |
| B22 | 95-45 | | 4350291 | Cylinder block kit | 1 |
| B30 | 95-45 | | 4350048 | Slipper holddown pin retainer | 1 |
| B32 | 95-45 | | 4350253 | Piston assembly | 9 |
| B36 | 95-45 | | 4350185 | Slipper retainer | 1 |
| B37 | 95-45 | | 4350145 | End cap gasket | 1 |
| B38 | 95-45 | | 9001465-0015 | Needle bearing | 1 |
| B39 | 95-45 | | 9004700-1910 | Slotted pin | 1 |
| B40 | 95-45 | | 5000529 | Pin (SB-1998-092 on page 107) | 2 |
| B41 | 95-45 | | 9007210-1014 | Screw, M10 x 65 | 2 |
| B42 | 95-45 | | 648444 (9007210-1018) | Screw, M10 x 90 | 2 |
| B43 | 95-45 | | 046151 (9005100-5600) | Plug assembly | 1 |
| B45 | 95-45 | | 664524 (9005110-9000) | Plug assembly | 1 |
| B53 | 95-45 | | 8800565 | Lifting bracket | 1 |
| B55 | 95-45 | | 9006200-0281 | Retaining ring | 1 |
| B56 | 95-45 | | 615245 (9006300-0137) | Retaining ring | 1 |
| B57 | 95-45 | | 046151 (9005100-5600) | Plug assembly | 1 |
| B59 | 95-45 | | 664524 (9005110-9000) | Plug assembly | 1 |
| QB24 | 95-45 | | 4350100 | Cylinder block assembly | 1 |
| QB31 | 17-12 | | 11178525 | SVC kit- ball guide and pins (SB-2017-012 on page 117) | 1 |

Special hardware

Order code: GNZ

| | | | | | |
|-----|-------|-------|--------------|-----------|---|
| S14 | 96-10 | 01-12 | 5000373 | O-ring | 1 |
| S15 | 96-10 | 01-12 | 550133511 | Gear pump | 1 |
| S16 | 96-10 | 01-12 | 9007300-3722 | Screw | 2 |

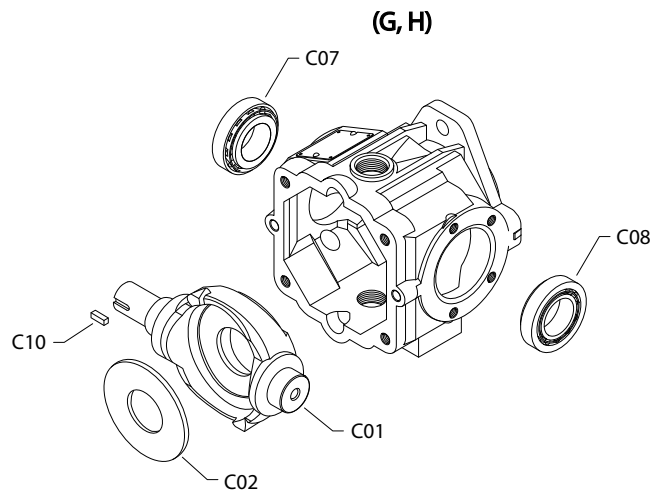
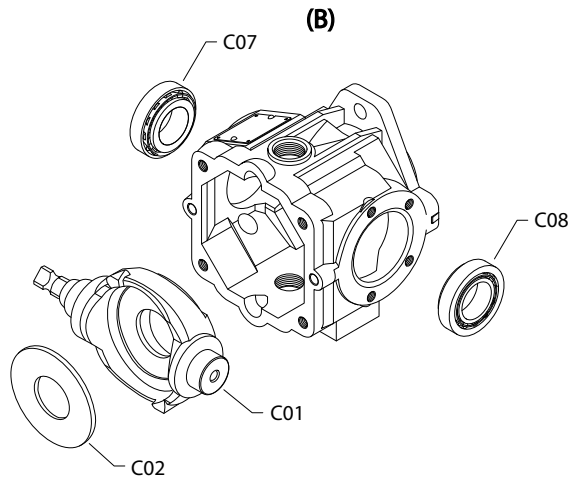
Order code: GRD

| | | | | | |
|-----|-------|-------|---------------|-----------|---|
| S14 | 98-31 | 01-12 | 5000373 | O-ring | 1 |
| S15 | 98-31 | 01-12 | 111.20.348.00 | Gear pump | 1 |
| S16 | 98-31 | 01-12 | 9007300-3722 | Screw | 2 |
| S26 | 98-31 | 01-12 | 9009610-4069 | Washer | 2 |

Variable displacement pump

S40 MPV swashplate B-H

Parts configuration



Swashplates shown controlled on right.

Variable displacement pump

Order code: B

| Item | Date Begin | Date End | Part Number | Part Name | Qty. per Model/Kit |
|------|------------|----------|-------------|--------------|--------------------|
| C01 | 95-45 | | 4350383 | Swashplate | 1 |
| C02 | 95-45 | | 4350148 | Thrust plate | 1 |
| C07 | 95-45 | | 4800470 | Bearing kit | 1 |
| C08 | 95-45 | | 4800470 | Bearing kit | 1 |

Order code: G

| | | | | | |
|-----|-------|--|---------|---|---|
| C01 | 03-07 | | 4350823 | Swashplate, 24 mm diameter keyed, 14.6° | 1 |
| C02 | 03-07 | | 4350148 | Thrust plate | 1 |
| C07 | 03-07 | | 4800470 | Bearing kit | 1 |
| C08 | 03-07 | | 4800470 | Bearing kit | 1 |
| C10 | 05-05 | | 1040275 | Key | 1 |

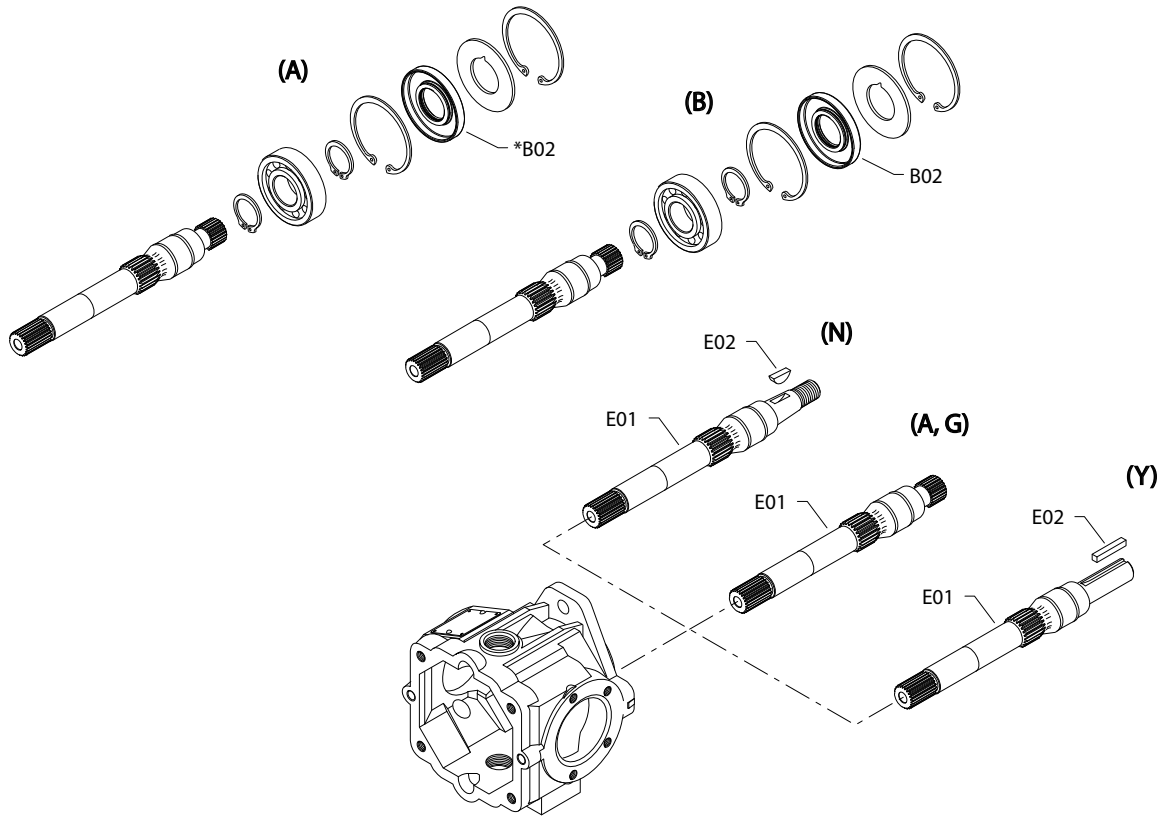
Order code: H

| | | | | | |
|-----|-------|--|---------|---------------------------------------|---|
| C01 | 03-07 | | 4350822 | Swashplate, 24 mm diameter keyed, 16° | 1 |
| C02 | 03-07 | | 4350148 | Thrust plate | 1 |
| C07 | 03-07 | | 4800470 | Bearing kit | 1 |
| C08 | 03-07 | | 4800470 | Bearing kit | 1 |
| C10 | 05-05 | | 1040275 | Key | 1 |

Variable displacement pump

S40 MPV shaft and shaft seal

Parts configuration



* Included in overhaul seal kit Q210

Variable displacement pump

Shaft seal

Order code: A

| Item | Date Begin | Date End | Part Number | Part Name | Qty. per Model/Kit |
|------|------------|----------|-------------|---|--------------------|
| B02 | 95-45 | | 5000689 | Lip seal (SB-2003-018 on page 113) | 1 |

Order code: B

| | | | | | |
|-----|-------|--|----------|----------|---|
| B02 | 13-03 | | 11103135 | Lip seal | 1 |
|-----|-------|--|----------|----------|---|

Shaft

Order code: A

| | | | | | |
|-----|-------|--|---------|------------------------|---|
| E01 | 95-45 | | 4350397 | Shaft, 13-tooth spline | 1 |
|-----|-------|--|---------|------------------------|---|

Order code: G

| | | | | | |
|-----|-------|--|---------|------------------------|---|
| E01 | 95-45 | | 4350431 | Shaft, 15-tooth spline | 1 |
|-----|-------|--|---------|------------------------|---|

Order code: N

| | | | | | |
|-----|-------|--|--------------|----------------|---|
| E01 | 95-45 | | 4350398 | Shaft, tapered | 1 |
| E02 | 95-45 | | 9003310-2514 | Key, woodruff | 1 |

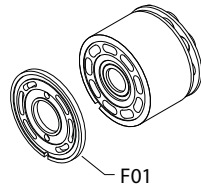
Order code: Y

| | | | | | |
|-----|-------|--|--------------|---------------------|---|
| E01 | 95-45 | | 4350399 | Shaft, straight key | 1 |
| E02 | 95-45 | | 9003261-2524 | Key, square | 1 |

Variable displacement pump

S40 MPV valve plate rotation

Parts configuration



Variable displacement pump

Order code: 2

| Item | Date Begin | Date End | Part Number | Part Name | Qty. per Model/Kit |
|------|------------|----------|-------------|----------------------------|--------------------|
| F01 | 98-12 | | 4350729 | Valve plate, CCW, 4° index | 1 |

Order code: 4

| | | | | | |
|-----|-------|--|---------|-----------------------------|---|
| F01 | 98-43 | | 4440076 | Valve plate, CCW, low force | 1 |
|-----|-------|--|---------|-----------------------------|---|

Order code: 5

| | | | | | |
|-----|-------|--|---------|----------------------------|---|
| F01 | 98-43 | | 4440075 | Valve plate, CW, low force | 1 |
|-----|-------|--|---------|----------------------------|---|

Order code: 7

| | | | | | |
|-----|-------|--|---------|---------------------------|---|
| F01 | 98-12 | | 4350728 | Valve plate, CW, 4° index | 1 |
|-----|-------|--|---------|---------------------------|---|

Order code: L

| | | | | | |
|-----|-------|--|---------|------------------|---|
| F01 | 95-45 | | 4350158 | Valve plate, CCW | 1 |
|-----|-------|--|---------|------------------|---|

Order code: R

| | | | | | |
|-----|-------|--|---------|-----------------|---|
| F01 | 95-45 | | 4350157 | Valve plate, CW | 1 |
|-----|-------|--|---------|-----------------|---|

Order code: W

| | | | | | |
|-----|-------|--|---------|------------------------|---|
| F01 | 95-45 | | 4350322 | Valve plate, CW, quiet | 1 |
|-----|-------|--|---------|------------------------|---|

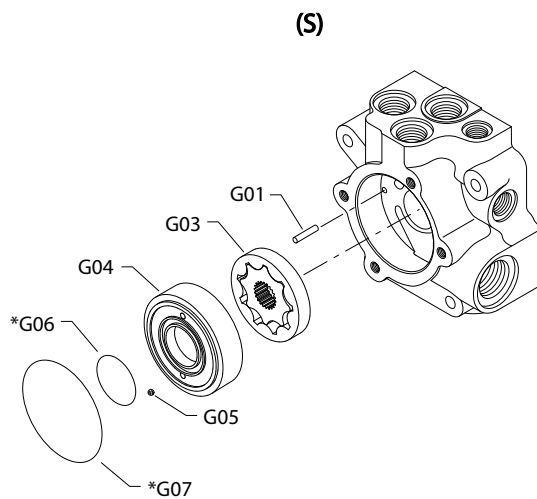
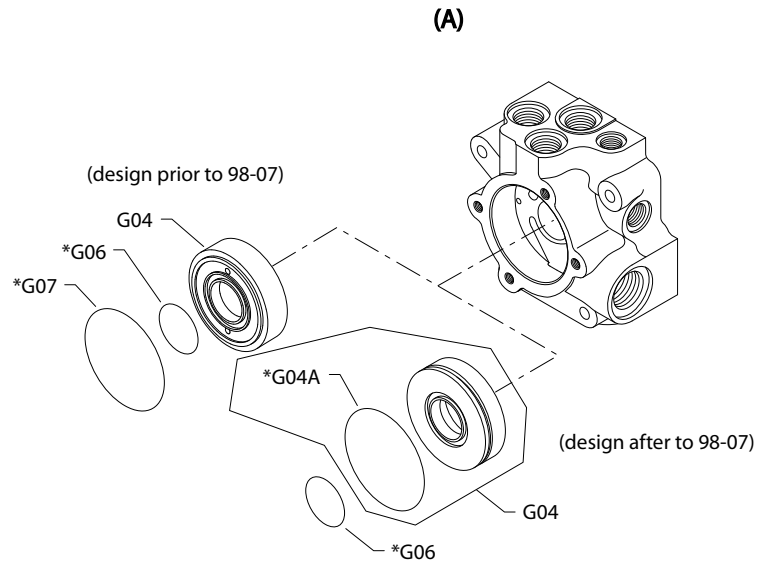
Order code: Y

| | | | | | |
|-----|-------|--|---------|-------------------------|---|
| F01 | 95-45 | | 4350323 | Valve plate, CCW, quiet | 1 |
|-----|-------|--|---------|-------------------------|---|

Variable displacement pump

S40 MPV charge pump

Parts configuration



* Included in overhaul seal kit Q210

Variable displacement pump

Order code: A

| Item | Date Begin | Date End | Part Number | Part Name | Qty. per Model/Kit |
|------|------------|----------|-------------|-----------------|--------------------|
| G04 | 98-07 | | 4800670 | Spacer assembly | 1 |
| G04 | 95-45 | 98-06 | 4800179 | Spacer | 1 |
| G04A | 98-07 | | 673533 | O-ring | 1 |
| G06 | 98-07 | | 5000352 | O-ring | 1 |
| G07 | 95-45 | 98-06 | 5000353 | O-ring | 1 |

Order code: S

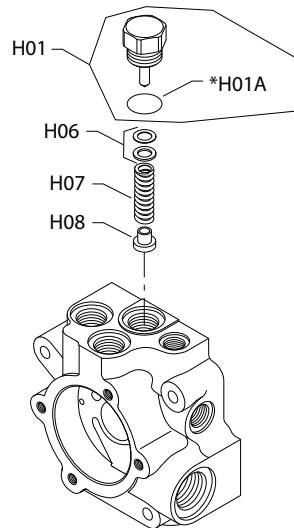
| | | | | | |
|-----|-------|--|-----------------------|------------------|---|
| G01 | 95-45 | | 9004800-1908 | Pin | 1 |
| G03 | 95-45 | | 4800170 | Gerotor assembly | 1 |
| G04 | 95-45 | | 4800179 | Spacer | 1 |
| G05 | 95-45 | | 018564 (9001210-1900) | Ball | 1 |
| G06 | 95-45 | | 5000352 | O-ring | 1 |
| G07 | 95-45 | | 5000353 | O-ring | 1 |

Variable displacement pump

Charge pressure relief/setting

S40 MPV charge pressure relief valve C-

Parts configuration



* Included in overhaul seal kit Q210

Variable displacement pump

Order code: C

| Item | Date Begin | Date End | Part Number | Part Name | Qty. per Model/Kit |
|------|------------|----------|-----------------------|--------------------------------|--------------------|
| H01 | 95-50 | | 4800308 | Plug assembly/18 bar [260 psi] | 1 |
| H01A | 95-50 | | 001149 (9004201-6200) | O-ring | 1 |
| H06 | 95-50 | | 4510027 | Shim kit | 1 |
| H07 | 95-50 | | 4800176 | Spring | 1 |
| H08 | 95-50 | | 4800134 | Poppet | 1 |

Order code: E

| | | | | | |
|------|-------|--|-----------------------|--------------------------------|---|
| H01 | 95-45 | | 4800308 | Plug assembly/11 bar [160 psi] | 1 |
| H01A | 95-45 | | 001149 (9004201-6200) | O-ring | 1 |
| H06 | 95-45 | | 4510027 | Shim kit | 1 |
| H07 | 95-45 | | 4800176 | Spring | 1 |
| H08 | 95-45 | | 4800134 | Poppet | 1 |

Order code: F

| | | | | | |
|------|-------|--|-----------------------|---------------------------------|---|
| H01 | 95-45 | | 4800308 | Plug assembly/7.5 bar [110 psi] | 1 |
| H01A | 95-45 | | 001149 (9004201-6200) | O-ring | 1 |
| H06 | 95-45 | | 4510027 | Shim kit | 1 |
| H07 | 95-45 | | 4800714 | Spring | 1 |
| H08 | 95-45 | | 4800134 | Poppet | 1 |

Order code: G

| | | | | | |
|------|-------|--|-----------------------|--------------------------------|---|
| H01 | 95-45 | | 4800308 | Plug assembly/14 bar [200 psi] | 1 |
| H01A | 95-45 | | 001149 (9004201-6200) | O-ring | 1 |
| H06 | 95-45 | | 4510027 | Shim kit | 1 |
| H07 | 95-45 | | 4800176 | Spring | 1 |
| H08 | 95-45 | | 4800134 | Poppet | 1 |

Order code: H

| | | | | | |
|------|-------|--|-----------------------|--------------------------------|---|
| H01 | 03-26 | | 4800308 | Plug assembly/24 bar [348 psi] | 1 |
| H01A | 03-26 | | 001149 (9004201-6200) | O-ring | 1 |
| H06 | 03-26 | | 4510027 | Shim kit | 1 |
| H07 | 03-26 | | 11022448 | Spring | 1 |
| H08 | 03-26 | | 4800134 | Poppet | 1 |

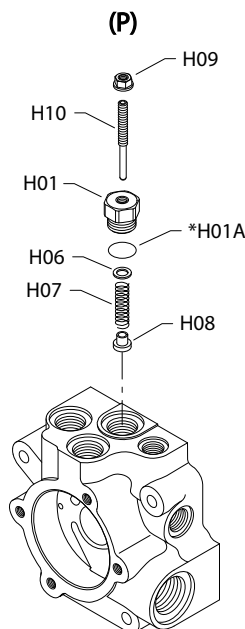
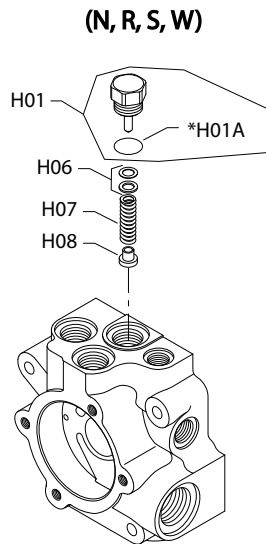
Order code: M

| | | | | | |
|------|-------|--|-----------------------|----------------------------------|---|
| H01 | 95-45 | | 4800308 | Plug assembly/28.3 bar [410 psi] | 1 |
| H01A | 95-45 | | 001149 (9004201-6200) | O-ring | 1 |
| H06 | 95-45 | | 4510027 | Shim kit | 1 |
| H07 | 95-45 | | 11022448 | Spring | 1 |
| H08 | 95-45 | | 4800134 | Poppet | 1 |

Variable displacement pump

MPV035D charge pressure relief valve N-W

Parts configuration



* Included in overhaul seal kit Q210

Variable displacement pump

Order code: N

| Item | Date Begin | Date End | Part Number | Part Name | Qty. per Model/Kit |
|------|------------|----------|-----------------------|-------------------------------|--------------------|
| H01 | 95-45 | | 4800308 | Plug assembly/9 bar [130 psi] | 1 |
| H01A | 95-45 | | 001149 (9004201-6200) | O-ring | 1 |
| H06 | 95-45 | | 4510027 | Shim kit | 1 |
| H07 | 95-45 | | 4800149 | Spring | 1 |
| H08 | 95-45 | | 4800134 | Poppet | 1 |

Order code: P

| | | | | | |
|------|-------|-------|-----------------------|------------------------|---|
| H01 | 95-45 | 00-40 | 4350305 | Plug, anti-stall | 1 |
| H01A | 95-45 | 00-40 | 001149 (9004201-6200) | O-ring | 1 |
| H06 | 95-45 | 00-40 | 356568 (9009625-0163) | Washer | 1 |
| H07 | 95-45 | 00-40 | 8800496 | Spring | 1 |
| H08 | 95-45 | 00-40 | 4350299 | Poppet | 1 |
| H09 | 95-45 | 00-40 | 076042 (9003509-0012) | Nut | 1 |
| H010 | 95-45 | 00-40 | 4350301 | Anti-stall guide screw | 1 |

Order code: R

| | | | | | |
|------|-------|--|-----------------------|--------------------------------|---|
| H01 | 98-40 | | 4800308 | Plug assembly/6.2 bar [90 psi] | 1 |
| H01A | 98-40 | | 001149 (9004201-6200) | O-ring | 1 |
| H06 | 98-40 | | 4510027 | Shim kit | 1 |
| H07 | 98-40 | | 4800714 | Spring | 1 |
| H08 | 98-40 | | 4800134 | Poppet | 1 |

Order code: S

| | | | | | |
|------|-------|--|-----------------------|---|---|
| H01 | 03-50 | | 4350846 | Plug assembly/18 bar [260 psi], low noise | 1 |
| H01A | 03-50 | | 001149 (9004201-6200) | O-ring | 1 |
| H06 | 03-50 | | 4510027 | Shim kit | 1 |
| H07 | 03-50 | | 4800176 | Spring | 1 |
| H08 | 03-50 | | 1732454 | Poppet | 1 |

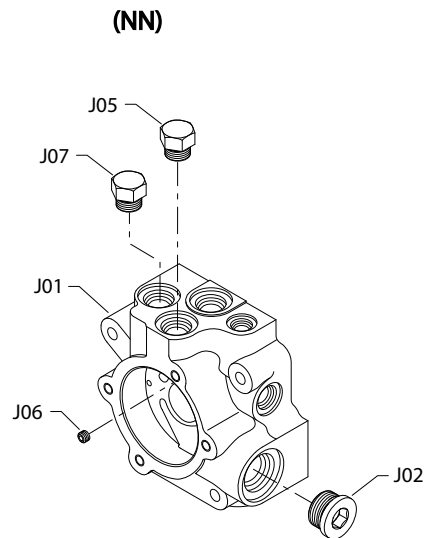
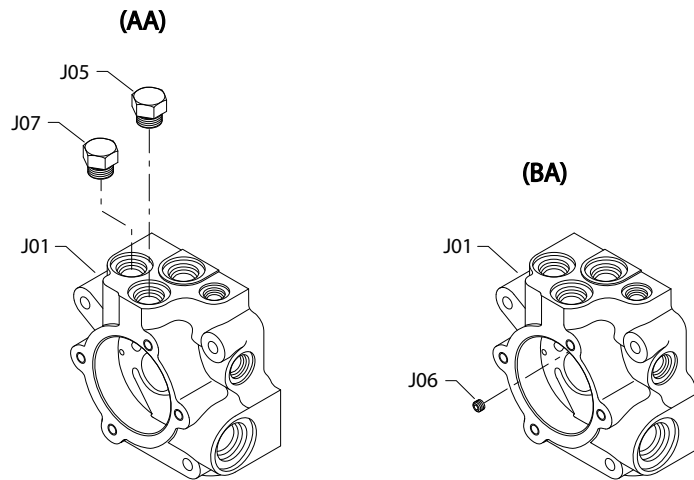
Order code: W

| | | | | | |
|------|-------|--|-----------------------|--------------------------------|---|
| H01 | 99-28 | | 4800308 | Plug assembly/20 bar [290 psi] | 1 |
| H01A | 99-28 | | 001149 (9004201-6200) | O-ring | 1 |
| H06 | 99-28 | | 4510027 | Shim kit | 1 |
| H07 | 99-28 | | 4800176 | Spring | 1 |
| H08 | 99-28 | | 4800134 | Poppet | 1 |

Variable displacement pump

S40 MPV Filtration

Parts configuration



Variable displacement pump

Order code: AA

| Item | Date Begin | Date End | Part Number | Part Name | Qty. per Model/Kit |
|------|------------|----------|-----------------------|---------------|--------------------|
| J01 | 95-45 | | 4350257 | End cap | 1 |
| J05 | 95-45 | | 001537 (9005100-8700) | Plug assembly | 1 |
| J07 | 95-45 | | 001537 (9005100-8700) | Plug assembly | 1 |

Order code: BA

| | | | | | |
|-----|-------|--|-----------------------|-----------|---|
| J01 | 95-45 | | 4350257 | End cap | 1 |
| J06 | 95-45 | | 001487 (9005001-2500) | Pipe plug | 1 |

Order code: NN

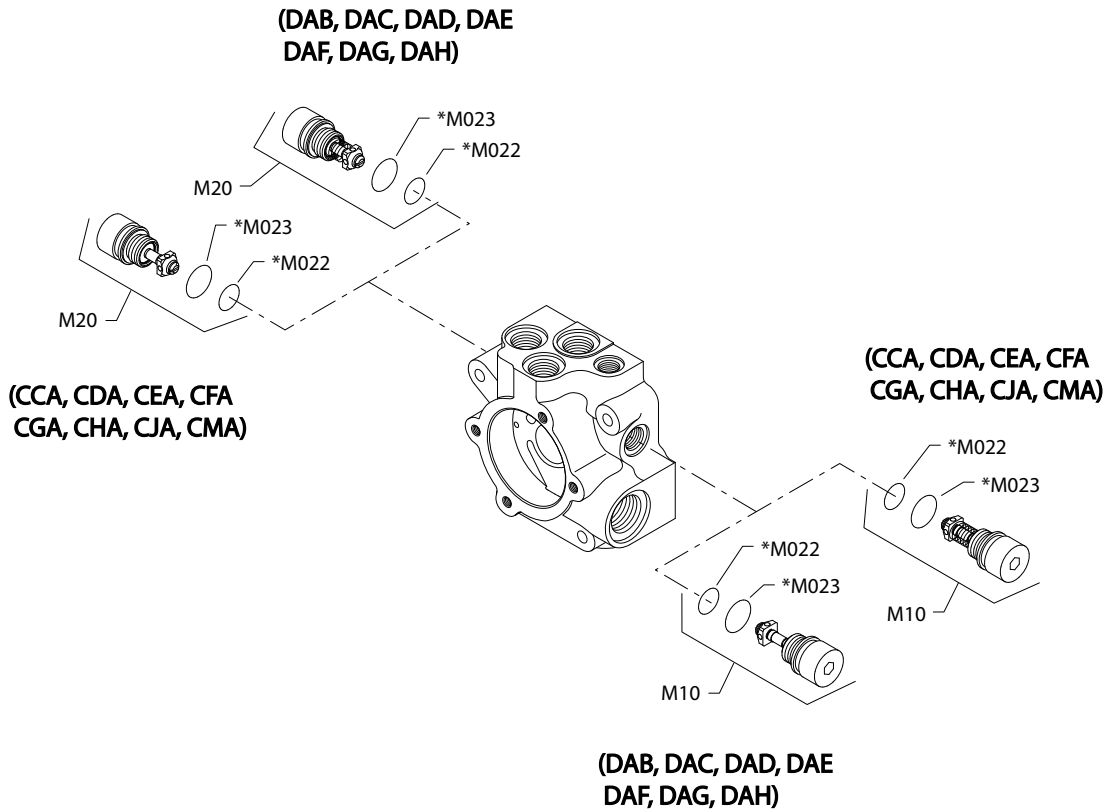
| | | | | | |
|-----|-------|--|-----------------------|---------------|---|
| J01 | 95-45 | | 4350257 | End cap | 1 |
| J02 | 95-45 | | 001537 (9005110-9200) | Plug assembly | 1 |
| J05 | 95-45 | | 001537 (9005100-8700) | Plug assembly | 1 |
| J06 | 95-45 | | 001487 (9005001-2500) | Pipe plug | 1 |
| J07 | 95-45 | | 001537 (9005100-8700) | Plug assembly | 1 |

Variable displacement pump

System pressure protection

MPV035D system pressure protection CCA-DAH

Parts configuration



* Included in overhaul seal kit Q210

Variable displacement pump
Common parts

| Item | Date Begin | Date End | Part Number | Part Name | Qty. per Model/Kit |
|------|------------|----------|--------------------------|-----------|--------------------|
| M022 | 95-45 | | 001131 (9004201-5000) | O-ring | 2 |
| M023 | 95-45 | | 9004100-2110 | O-ring | 2 |

Order code: CCA

| | | | | | |
|-----|-------|--|---------|---|---|
| M10 | 95-45 | | 4350642 | SCR valve assembly, 190 bar [2755 psi] (SB-1996-014 on page 105) | 1 |
| M20 | 95-45 | | 4350634 | Check valve poppet assembly (SB-1996-014 on page 105) | 1 |

Order code: CDA

| | | | | | |
|-----|-------|--|---------|---|---|
| M10 | 95-45 | | 4350641 | SCR valve assembly, 210 bar [3045 psi] (SB-1996-014 on page 105) | 1 |
| M20 | 95-45 | | 4350634 | Check valve poppet assembly (SB-1996-014 on page 105) | 1 |

Order code: CEA

| | | | | | |
|-----|-------|--|---------|---|---|
| M10 | 95-45 | | 4350640 | SCR valve assembly, 230 bar [3335 psi] (SB-1996-014 on page 105) | 1 |
| M20 | 95-45 | | 4350634 | Check valve poppet assembly (SB-1996-014 on page 105) | 1 |

Order code: CFA

| | | | | | |
|-----|-------|--|---------|---|---|
| M10 | 95-45 | | 4350639 | SCR valve assembly, 250 bar [3625 psi] (SB-1996-014 on page 105) | 1 |
| M20 | 95-45 | | 4350634 | Check valve poppet assembly (SB-1996-014 on page 105) | 1 |

Order code: CGA

| | | | | | |
|-----|-------|--|---------|---|---|
| M10 | 95-45 | | 4350638 | SCR valve assembly, 280 bar [4060 psi] (SB-1996-014 on page 105) | 1 |
| M20 | 95-45 | | 4350634 | Check valve poppet assembly (SB-1996-014 on page 105) | 1 |

Order code: CHA

| | | | | | |
|-----|-------|--|---------|---|---|
| M10 | 95-45 | | 4350637 | SCR valve assembly, 300 bar [4350 psi] (SB-1996-014 on page 105) | 1 |
| M20 | 95-45 | | 4350634 | Check valve poppet assembly (SB-1996-014 on page 105) | 1 |

Order code: CJA

| | | | | | |
|-----|-------|--|---------|---|---|
| M10 | 95-45 | | 4350636 | SCR valve assembly, 345 bar [5000 psi] (SB-1996-014 on page 105) | 1 |
| M20 | 95-45 | | 4350634 | Check valve poppet assembly (SB-1996-014 on page 105) | 1 |

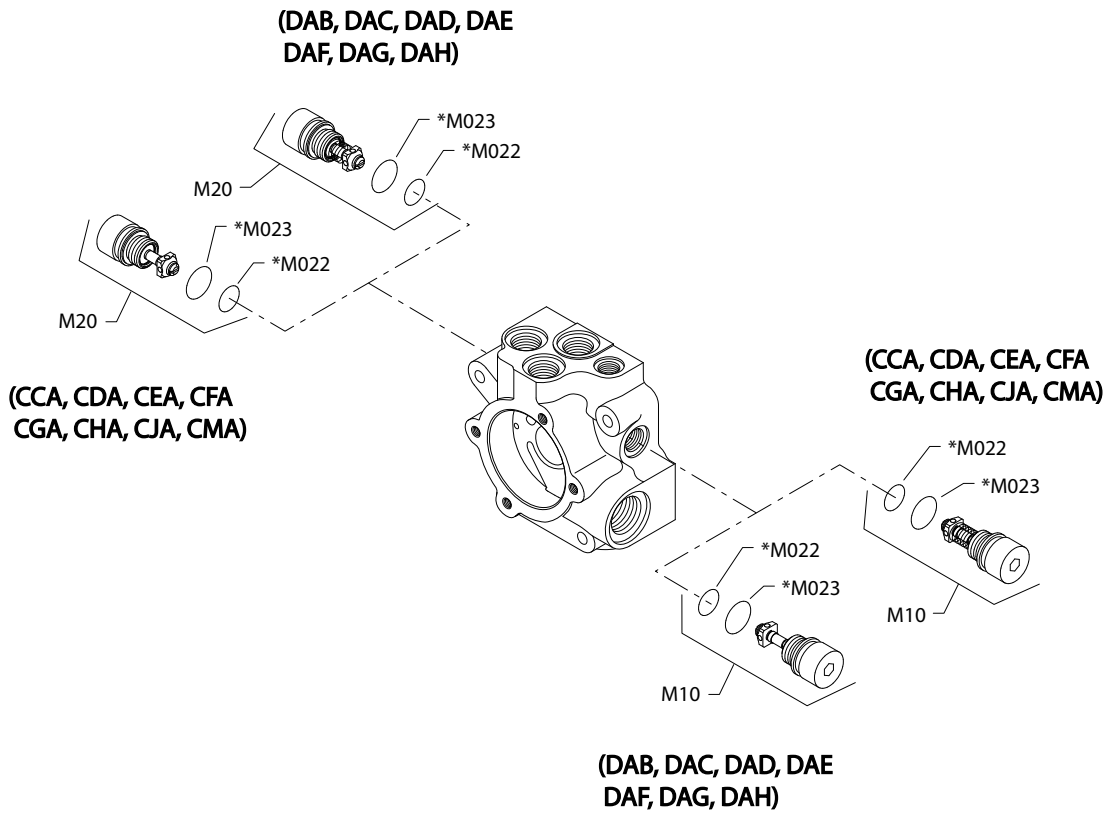
Order code: CMA

| | | | | | |
|-----|-------|--|---------|---|---|
| M10 | 95-45 | | 4350635 | SCR valve assembly, 140 bar [2030 psi] (SB-1996-014 on page 105) | 1 |
| M20 | 95-45 | | 4350634 | Check valve poppet assembly (SB-1996-014 on page 105) | 1 |

[Parts continue to the next 2 pages.](#)

Variable displacement pump

Parts configuration



* Included in overhaul seal kit Q210

Variable displacement pump

Common parts

| Item | Date Begin | Date End | Part Number | Part Name | Qty. per Model/Kit |
|------|------------|----------|--------------------------|-----------|--------------------|
| M022 | 95-45 | | 001131 (9004201-5000) | O-ring | 2 |
| M023 | 95-45 | | 9004100-2110 | O-ring | 2 |

Order code: DAB

| | | | | | |
|-----|-------|--|---------|---|---|
| M10 | 95-45 | | 4350634 | Check valve poppet assembly (SB-1996-014 on page 105) | 1 |
| M20 | 95-45 | | 4350643 | SCR valve assembly, 175 bar [2528 psi] (SB-1996-014 on page 105) | 1 |

Order code: DAD

| | | | | | |
|-----|-------|--|---------|---|---|
| M10 | 95-45 | | 4350634 | Check valve poppet assembly (SB-1996-014 on page 105) | 1 |
| M20 | 95-45 | | 4350641 | SCR valve assembly, 210 bar [3045 psi] (SB-1996-014 on page 105) | 1 |

Order code: DAE

| | | | | | |
|-----|-------|--|---------|---|---|
| M10 | 95-45 | | 4350634 | Check valve poppet assembly (SB-1996-014 on page 105) | 1 |
| M20 | 95-45 | | 4350640 | SCR valve assembly, 230 bar [3335 psi] (SB-1996-014 on page 105) | 1 |

Order code: DAF

| | | | | | |
|-----|-------|--|---------|---|---|
| M10 | 95-45 | | 4350634 | Check valve poppet assembly (SB-1996-014 on page 105) | 1 |
| M20 | 95-45 | | 4350639 | SCR valve assembly, 250 bar [3625 psi] (SB-1996-014 on page 105) | 1 |

Order code: DAG

| | | | | | |
|-----|-------|--|---------|---|---|
| M10 | 95-45 | | 4350634 | Check valve poppet assembly (SB-1996-014 on page 105) | 1 |
| M20 | 95-45 | | 4350638 | SCR valve assembly, 280 bar [4060 psi] (SB-1996-014 on page 105) | 1 |

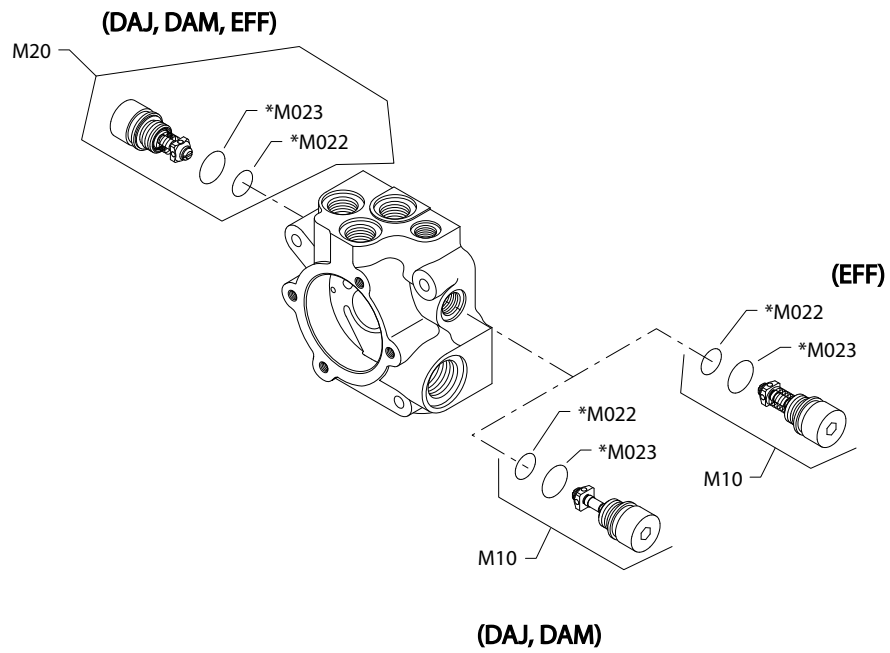
Order code: DAH

| | | | | | |
|-----|-------|--|---------|---|---|
| M10 | 95-45 | | 4350634 | Check valve poppet assembly (SB-1996-014 on page 105) | 1 |
| M20 | 95-45 | | 4350637 | SCR valve assembly, 300 bar [4350 psi] (SB-1996-014 on page 105) | 1 |

Variable displacement pump

MPV035D system pressure protection DAJ-EFF

Parts configuration



* Included in overhaul seal kit Q210

Variable displacement pump

Common parts

| Item | Date Begin | Date End | Part Number | Part Name | Qty. per Model/Kit |
|------|------------|----------|-----------------------|-----------|--------------------|
| M022 | 95-45 | | 001131 (9004201-5000) | O-ring | 2 |
| M023 | 95-45 | | 9004100-2110 | O-ring | 2 |

Order code: DAJ

| | | | | | |
|-----|-------|--|---------|---|---|
| M10 | 95-45 | | 4350634 | Check valve poppet assembly (SB-1996-014 on page 105) | 1 |
| M20 | 95-45 | | 4350636 | SCR valve assembly, 345 bar [5000 psi] (SB-1996-014 on page 105) | 1 |

Order code: DAM

| | | | | | |
|-----|-------|--|---------|---|---|
| M10 | 95-45 | | 4350634 | Check valve poppet assembly (SB-1996-014 on page 105) | 1 |
| M20 | 95-45 | | 4350635 | SCR valve assembly, 140 bar [2030 psi] (SB-1996-014 on page 105) | 1 |

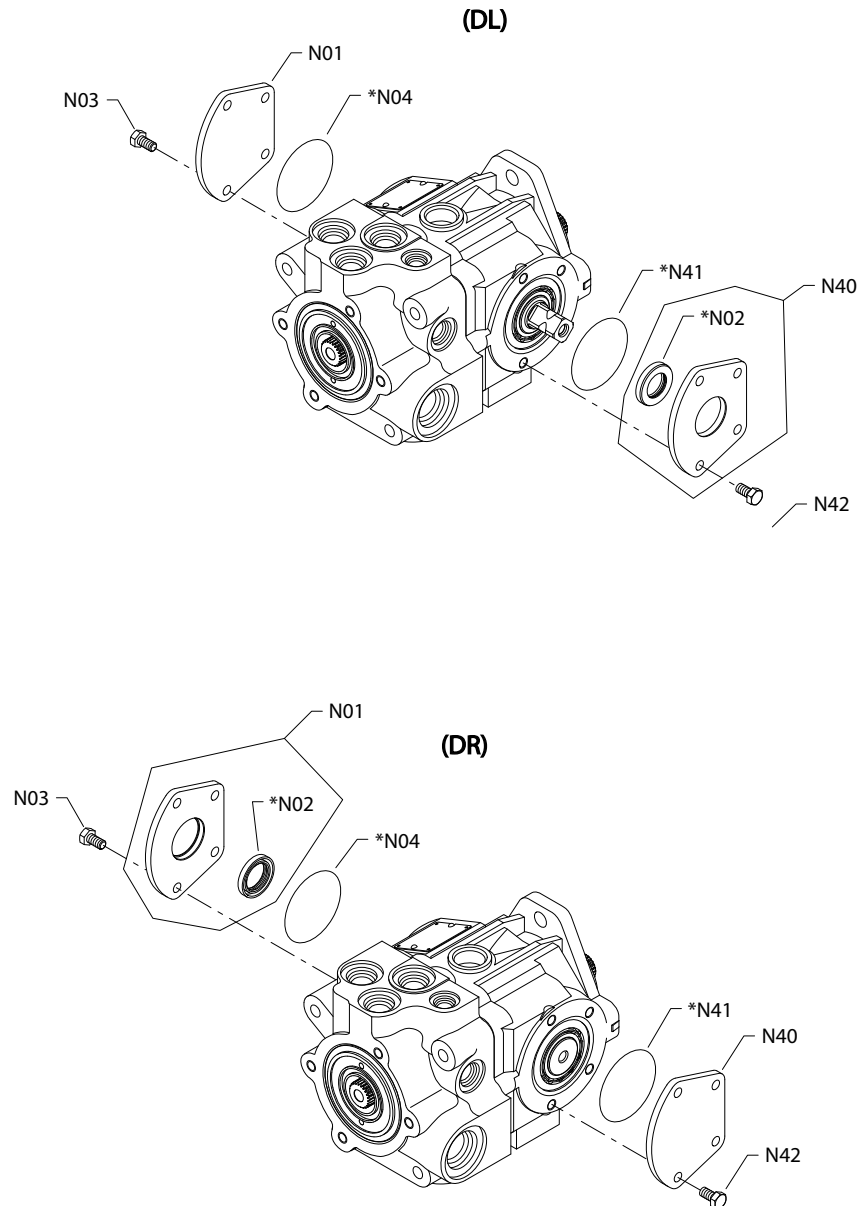
Order code: EFF

| | | | | | |
|-----|-------|--|---------|--|---|
| M10 | 98-47 | | 4250139 | SCR valve assembly, 250 bar [3625 psi] | 1 |
| M20 | 98-47 | | 4250139 | SCR valve assembly, 250 bar [3625 psi] | 1 |

Variable displacement pump

S40 MPV direct displacement control

Parts configuration



* Included in overhaul seal kit Q210

Variable displacement pump

Order code: DL

| Item | Date Begin | Date End | Part Number | Part Name | Qty. per Model/Kit |
|------|------------|----------|-----------------------|--|--------------------|
| N01 | 95-45 | | 4250027 | Trunnion cover | 1 |
| N02 | 95-45 | | 5000604 | Trunnion lip seal (SB-2000-026A on page 110) | 1 |
| N03 | 95-45 | | 378083 (9007210-0804) | Screw | 4 |
| N04 | 95-45 | | 9004300-1460 | O-ring | 1 |
| N40 | 95-45 | | 4350732 | Trunnion cover assembly, on left side (SB-1999-040 on page 109) | 1 |
| N41 | 95-45 | | 9004300-1460 | O-ring | 1 |
| N42 | 95-45 | | 378083 (9007210-0804) | Screw | 4 |

Order code: DR

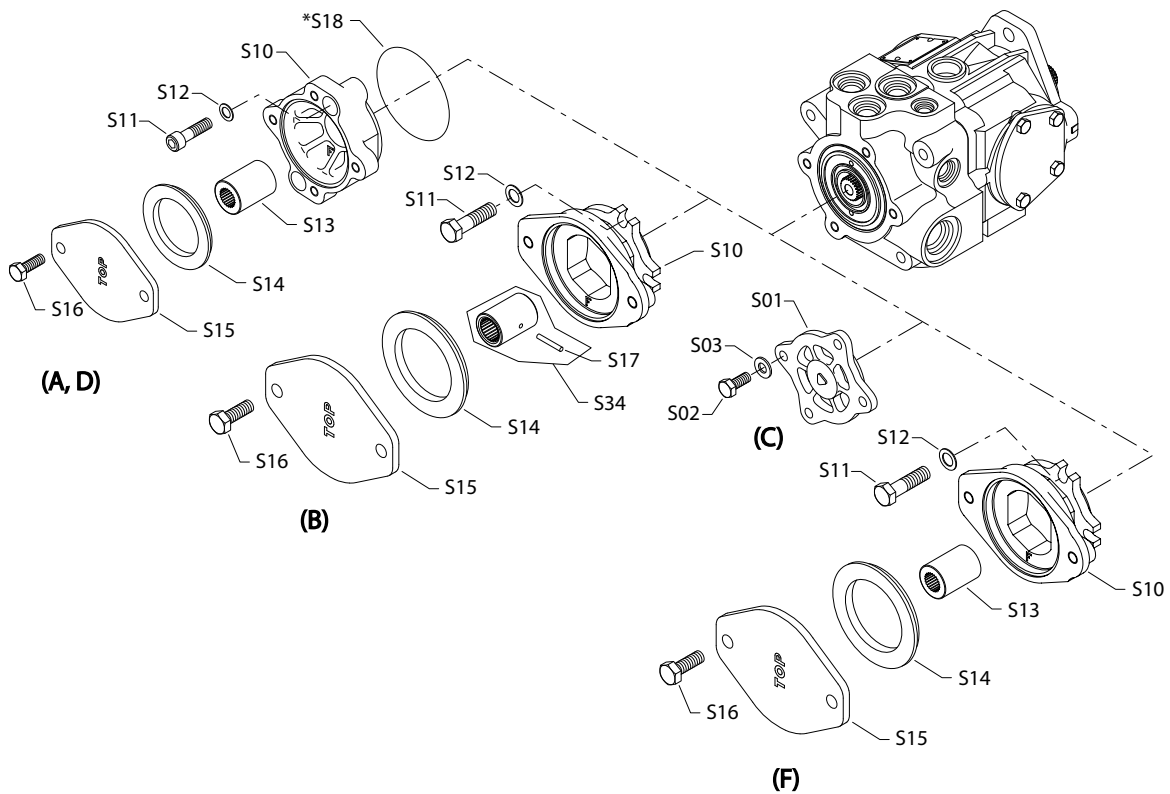
| | | | | | |
|-----|-------|--|-----------------------|---|---|
| N01 | 95-45 | | 4350732 | Trunnion cover assembly, on right side (SB-1999-040 on page 109) | 1 |
| N02 | 95-45 | | 5000604 | Trunnion lip seal (SB-2000-026A on page 110) | 1 |
| N03 | 95-45 | | 378083 (9007210-0804) | Screw | 4 |
| N04 | 95-45 | | 9004300-1460 | O-ring | 1 |
| N40 | 95-45 | | 4250027 | Trunnion cover | 1 |
| N41 | 95-45 | | 9004300-1460 | O-ring | 1 |
| N42 | 95-45 | | 378083 (9007210-0804) | Screw | 4 |

Variable displacement pump

Auxiliary mounting pad

S40 MPV auxiliary mounting pad A-

Parts configuration



* Included in overhaul seal kit Q210

Variable displacement pump

Order code: A

| Item | Date Begin | Date End | Part Number | Part Name | Qty. per Model/Kit |
|------|------------|----------|-----------------------|--------------------------|--------------------|
| S10 | 95-45 | | 4800156 | Adapter flange, SAE A | 1 |
| S11 | 95-45 | | 732982 (9007314-1009) | Screw, M10 x 40 | 2 |
| S12 | 95-45 | | 9009625-0154 | Washer | 2 |
| S13 | 95-45 | | 4350113 | Coupling, 9-tooth spline | 1 |
| S14 | 95-45 | | 4800482 | A pad seal | 1 |
| S15 | 95-45 | | 4460586 | Cover plate | 1 |
| S16 | 95-45 | | 9007200-3716 | Screw | 2 |
| S18 | 14-21 | | 9004101-1530 | O-ring | 1 |

Order code: B

| | | | | | |
|-----|-------|-------|--------------|------------------------------------|---|
| S10 | 95-45 | | 4800157 | Adapter flange, SAE B | 1 |
| S11 | 95-45 | | 9007210-1007 | Screw, M10 x 30 | 4 |
| S12 | 95-45 | | 9009600-4487 | Washer | 4 |
| S14 | 05-22 | | 8801061 | B pad seal | 1 |
| S14 | 95-45 | 05-21 | 9004100-1550 | O-ring | 1 |
| S15 | 05-22 | | 8801059 | Cover plate | 1 |
| S15 | 95-45 | 05-21 | 4460370 | Cover plate | 1 |
| S16 | 95-45 | | 9007200-5022 | Screw | 2 |
| S17 | 95-45 | | 9004700-1222 | Pin | 1 |
| S34 | 95-45 | | 4350691 | Coupling assembly, 13-tooth spline | 1 |

Order code: C

| | | | | | |
|-----|-------|--|--------------|-----------------|---|
| S01 | 95-45 | | 4800158 | Gerotor cover | 1 |
| S02 | 95-45 | | 9007210-1006 | Screw, M10 x 25 | 4 |
| S03 | 95-45 | | 9009600-4487 | Washer | 4 |

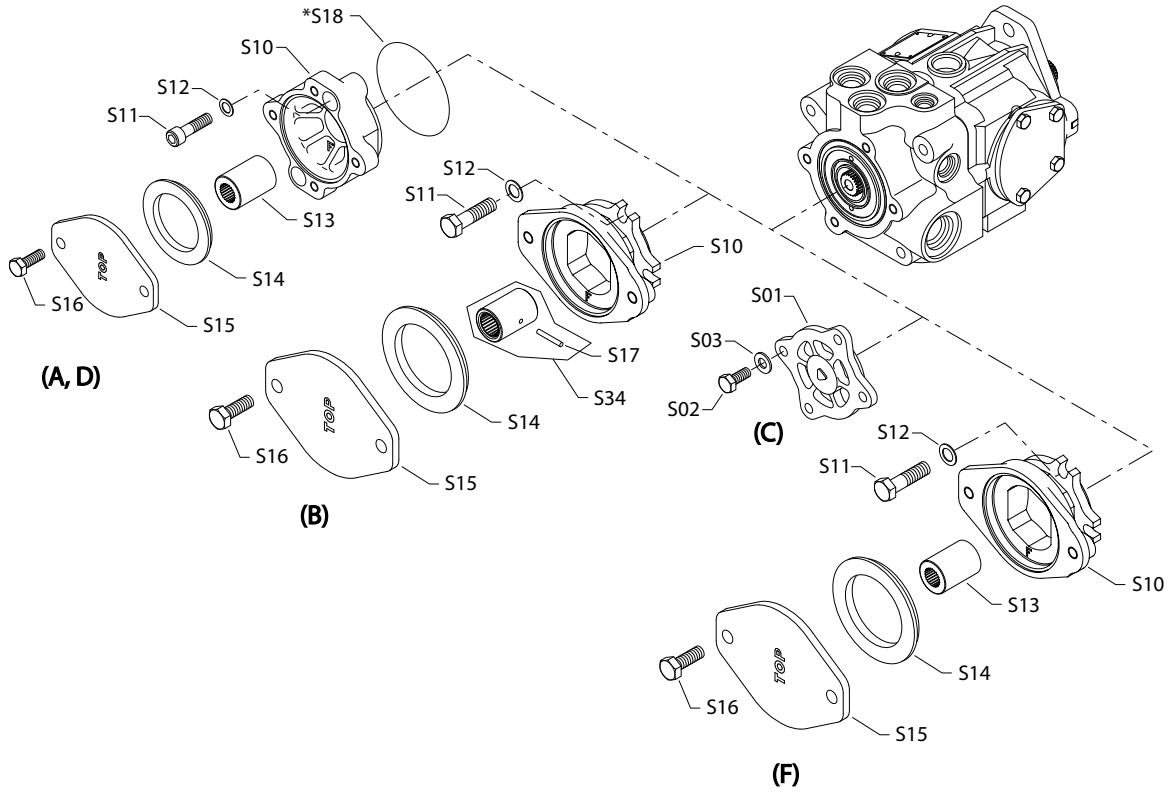
Order code: D

| | | | | | |
|-----|-------|--|-----------------------|---------------------------|---|
| S10 | 95-45 | | 4800182 | Adapter flange, SAE A | 1 |
| S11 | 95-45 | | 732982 (9007314-1009) | Screw, M10 x 40 | 2 |
| S12 | 95-45 | | 9009625-0154 | Washer | 2 |
| S13 | 95-45 | | 762534 (4350189) | Coupling, 11-tooth spline | 1 |
| S14 | 95-45 | | 4800482 | A pad seal | 1 |
| S15 | 95-45 | | 4460586 | Cover plate | 1 |
| S16 | 95-45 | | 9007200-3716 | Screw | 2 |
| S18 | 14-21 | | 9004101-1530 | O-ring | 1 |

[Parts continue to the next 2 pages.](#)

Variable displacement pump

Parts configuration



* Included in overhaul seal kit Q210

Variable displacement pump

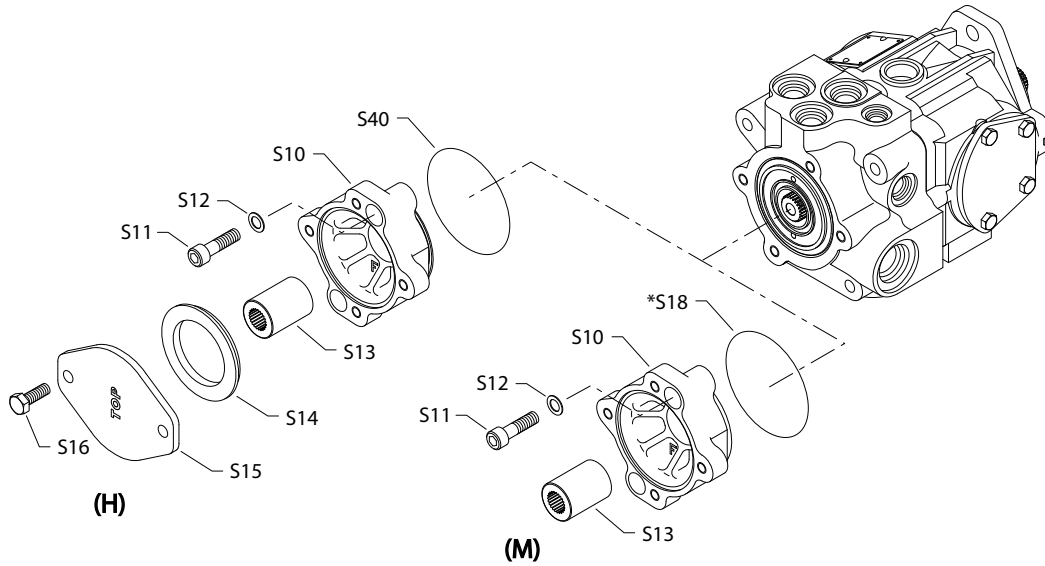
Order code: F

| Item | Date Begin | Date End | Part Number | Part Name | Qty. per Model/Kit |
|------|------------|----------|------------------|---------------------------|--------------------|
| S10 | 95-45 | | 4800157 | Adapter flange, SAE B | 1 |
| S11 | 95-45 | | 9007210-1007 | Screw, M10 x 30 | 4 |
| S12 | 95-45 | | 9009600-4487 | Washer | 4 |
| S13 | 95-45 | | 762534 (4350189) | Coupling, 11-tooth spline | 1 |
| S14 | 01-14 | | 8801061 | B pad seal | 1 |
| S14 | 95-45 | 01-13 | 9004100-1550 | O-ring | 1 |
| S15 | 01-14 | | 8801059 | Cover plate | 1 |
| S15 | 95-45 | 01-13 | 4460370 | Cover plate | 1 |
| S16 | 95-45 | | 9007200-5022 | Screw | 2 |

Variable displacement pump

MPV035D auxiliary mounting pad H-M

Parts configuration



* Included in overhaul seal kit Q210

Variable displacement pump

Order code: H

| Item | Date Begin | Date End | Part Number | Part Name | Qty. per Model/Kit |
|------|------------|----------|-----------------------|--------------------------|--------------------|
| S10 | 03-50 | | 1712494-01 | Adapter flange, SAE A | 1 |
| S11 | 03-50 | | 732982 (9007314-1009) | Screw, M10 x 40 | 2 |
| S12 | 03-50 | | 9009625-0154 | Washer | 2 |
| S13 | 03-50 | | 4350113 | Coupling, 9-tooth spline | 1 |
| S14 | 03-50 | | 4800482 | A pad seal | 1 |
| S15 | 03-50 | | 4460586 | Cover plate | 1 |
| S16 | 03-50 | | 9007200-3716 | Screw | 2 |
| S40 | 03-50 | | 9004100-2360 | O-ring | 1 |

Order code: M

| | | | | | |
|-----|-------|--|-----------------------|--------------------------|---|
| S10 | 96-08 | | 4800156 | Adapter flange, SAE A | 1 |
| S11 | 96-08 | | 732982 (9007314-1009) | Screw, M10 x 40 | 2 |
| S12 | 96-08 | | 9009625-0154 | Washer | 2 |
| S13 | 96-08 | | 4350113 | Coupling, 9-tooth spline | 1 |
| S18 | 14-21 | | 9004101-1530 | O-ring | 1 |

Variable displacement pump

S40 MPV seal kit

| Item | Date Begin | Date End | Part Number | Part Name | Qty. per Model/Kit |
|------|------------|----------|-----------------------|---|--------------------|
| Q210 | 95-45 | | 11181820 | Overhaul seal kit, MPV035/44D | 1 |
| B02 | 95-45 | | 5000689 | Lip seal (SB-2003-018 on page 113) | 1 |
| B37 | 95-45 | | 4350145 | End cap gasket | 1 |
| G04A | 98-07 | | 673533 | O-ring, .103 x 3.237, nitrile, 70D | 1 |
| G06 | 95-45 | | 5000352 | O-ring, .139 x 1.609, nitrile, 90D | 1 |
| G07 | 95-45 | | 5000353 | O-ring, .139 x 3.234, nitrile, 90D | 1 |
| H01A | 95-45 | | 001149 (9004201-6200) | O-ring, .097 x .755, nitrile, 90D | 1 |
| M022 | 95-45 | | 001131 (9004201-5000) | O-ring, .087 x .644, nitrile, 90D | 2 |
| M023 | 95-45 | | 9004100-2110 | O-ring, .139 x .796, nitrile, 70D | 2 |
| N02 | 95-45 | | 5000604 | Trunnion lip seal (SB-2000-026A on page 110) | 1 |
| N04 | 95-45 | | 9004300-1460 | O-ring, .099 x 2.612, nitrile, 70D | 1 |
| N41 | 95-45 | | 9004300-1460 | O-ring, .099 x 2.612, nitrile, 70D | 1 |
| S18 | 95-45 | | 9004101-1530 | O-ring, .103 x 3.487, nitrile, 90D | 1 |

Variable displacement pump

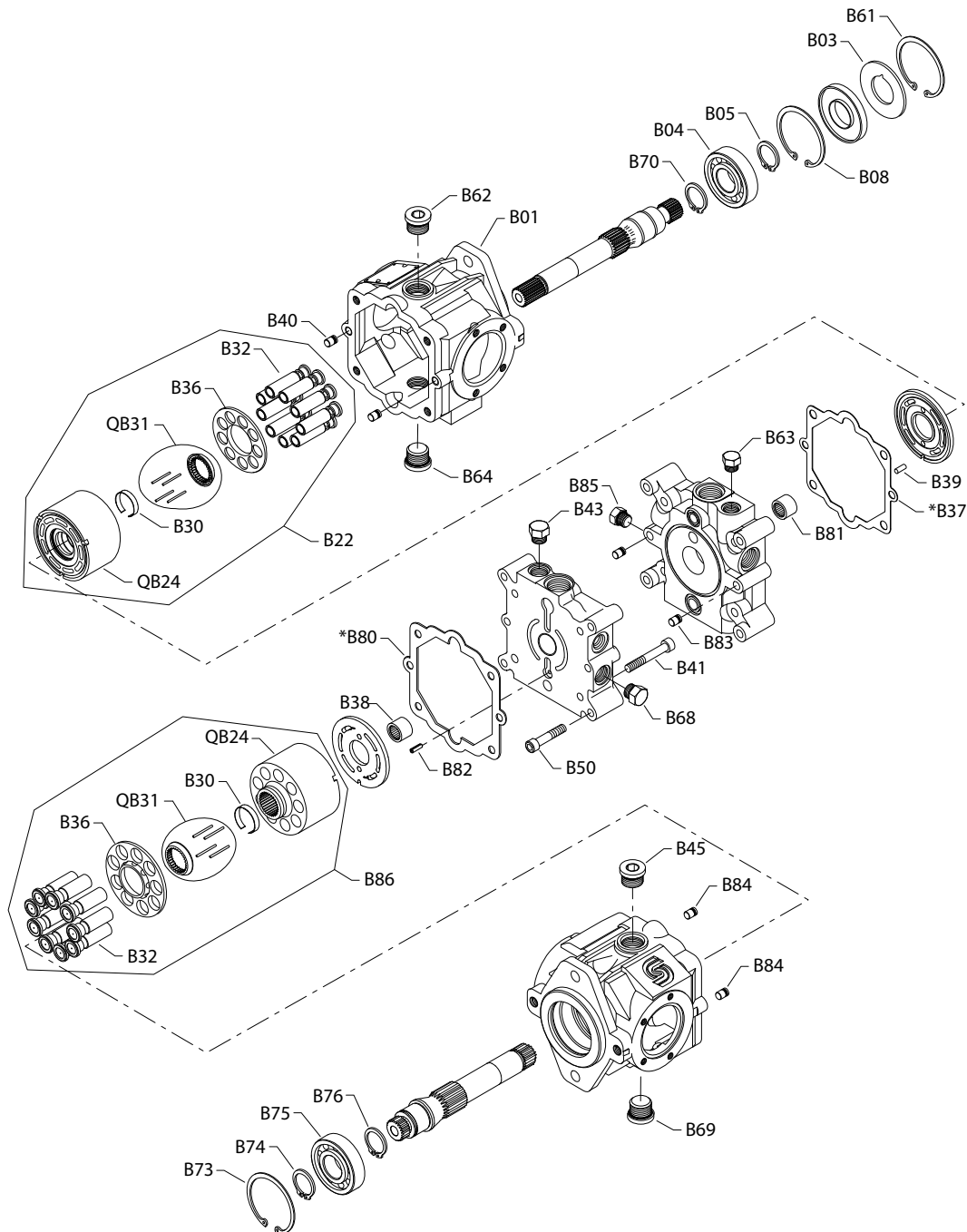
Notes

Variable displacement tandem pump

Common parts and special hardware

S40 MPT common parts

Parts configuration



* Included in overhaul seal kit Q210

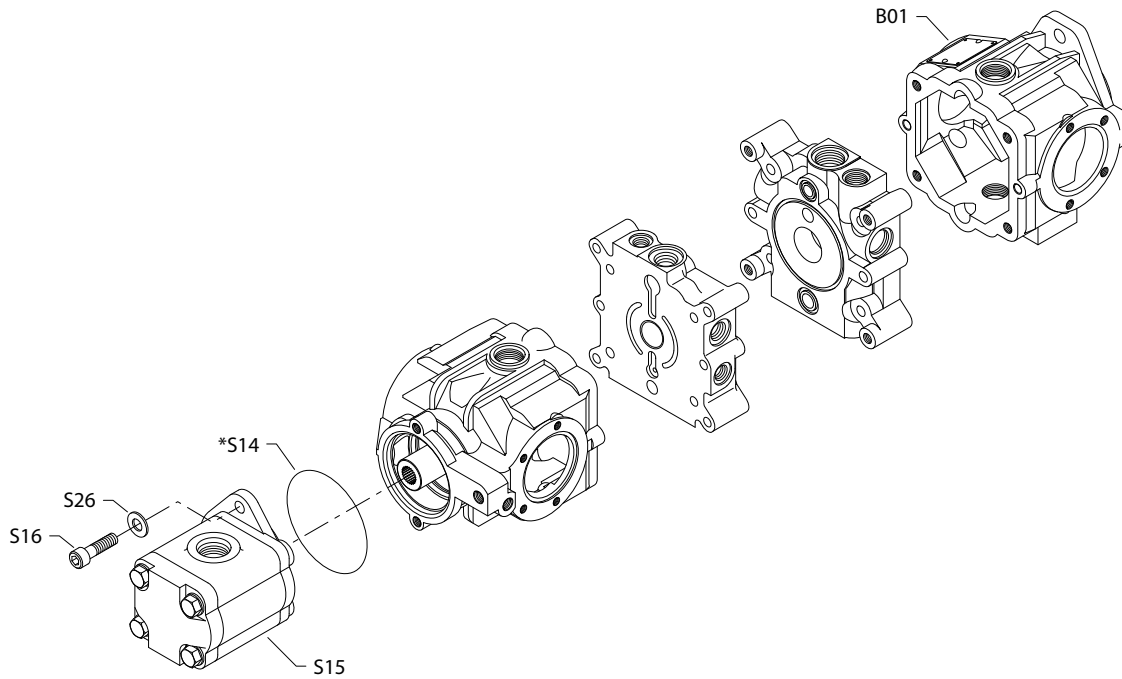
Variable displacement tandem pump

| Item | Date Begin | Date End | Part Number | Part Name | Qty. per Model/Kit |
|------|------------|----------|-----------------------|---|--------------------|
| B03 | 95-45 | | 11083729 | Seal support washer | 1 |
| B04 | 95-45 | | 5000731 | Ball bearing | 1 |
| B05 | 95-45 | | 9006300-0137 | Retaining ring | 1 |
| B08 | 95-45 | | 9006200-0281 | Retaining ring | 1 |
| B22 | 95-45 | | 4350291 | Cylinder block kit | 1 |
| B30 | 95-45 | | 4350048 | Holddown pin retainer | 2 |
| B32 | 95-45 | | 4350253 | Piston assembly | 18 |
| B36 | 95-45 | | 4350185 | Slipper retainer | 2 |
| B37 | 95-45 | | 4350145 | End cap gasket | 1 |
| B38 | 95-45 | | 510993 (9001465-0015) | Needle bearing | 1 |
| B39 | 95-45 | | 015701 (9004700-1910) | Slotted pin | 1 |
| B40 | 95-45 | | 5000529 | Dowel pin (SB-1998-092 on page 107) | 2 |
| B41 | 95-45 | | 654053 (9007314-1012) | Screw | 4 |
| B43 | 95-45 | | 046151 (9005100-5600) | Plug assembly | 1 |
| B45 | 95-45 | | 664524 (9005110-9000) | Plug assembly | 1 |
| B50 | 11-14 | | 5000122 | Screw, M10 x 70 | 4 |
| B50 | 95-45 | 11-13 | 9007314-1014 | Screw, M10 x 65 | 4 |
| B61 | 95-45 | | 9006200-0281 | Retaining ring | 1 |
| B62 | 95-45 | | 664524 (9005110-9000) | Plug assembly | 1 |
| B63 | 95-45 | | 046151 (9005100-5600) | Plug assembly | 1 |
| B64 | 95-45 | | 664524 (9005110-9000) | Plug assembly | 1 |
| B68 | 95-45 | | 046151 (9005100-5600) | Plug assembly | 1 |
| B69 | 95-45 | | 664524 (9005110-9000) | Plug assembly | 1 |
| B70 | 95-45 | | 615245 (9006300-0137) | Retaining ring | 1 |
| B73 | 95-45 | | 9006200-0281 | Retaining ring | 1 |
| B74 | 95-45 | | 615245 (9006300-0137) | Retaining ring | 1 |
| B75 | 95-45 | | 5000731 | Ball bearing | 1 |
| B76 | 95-45 | | 615245 (9006300-0137) | Retaining ring | 1 |
| B80 | 95-45 | | 4350145 | End cap gasket | 1 |
| B81 | 95-45 | | 510993 (9001465-0015) | Needle bearing | 1 |
| B82 | 95-45 | | 015701 (9004700-1910) | Slotted pin | 1 |
| B83 | 95-45 | | 5000529 | Dowel pin (SB-1998-092 on page 107) | 2 |
| B84 | 95-45 | | 5000529 | Dowel pin (SB-1998-092 on page 107) | 2 |
| B85 | 95-45 | | 046151 (9005100-5600) | Plug assembly | 1 |
| B86 | 95-45 | | 4350291 | Cylinder block kit | 1 |
| QB24 | 95-45 | | 4350100 | Cylinder block assembly | 2 |
| QB24 | 95-45 | | 11131906 | Cylinder block assembly | 1 |
| QB31 | 17-12 | | 11178525 | SVC kit- ball guide and pins (SB-2017-012 on page 117) | 2 |

Variable displacement tandem pump

MPT035D special hardware GNJ-GUG

Parts configuration



Generic gear pump shown.

* Included in overhaul seal kit Q210

Variable displacement tandem pump

Order code: GNJ

| Item | Date Begin | Date End | Part Number | Part Name | Qty. per Model/Kit |
|------|------------|----------|---------------|---------------------|--------------------|
| B01 | 95-45 | | 4350350 | Housing, front pump | 1 |
| S14 | 95-45 | | 5000373 | O-ring | 1 |
| S15 | 95-45 | | 111.20.132.00 | Gear pump | 1 |
| S16 | 95-45 | | 9007300-3722 | Screw | 2 |
| S26 | 95-45 | | 9009610-4069 | Washer | 2 |

Order code: GNK

| | | | | | |
|-----|-------|--|---------------|---------------------|---|
| B01 | 95-45 | | 4350350 | Housing, front pump | 1 |
| S14 | 95-45 | | 5000373 | O-ring | 1 |
| S15 | 95-45 | | 181.20.B06.00 | Gear pump | 1 |
| S16 | 95-45 | | 9007300-3722 | Screw | 2 |
| S26 | 95-45 | | 9009610-4069 | Washer | 2 |

Order code: GNS

| | | | | | |
|-----|-------|--|---------------|---------------------|---|
| B01 | 96-02 | | 4350350 | Housing, front pump | 1 |
| S14 | 96-02 | | 5000373 | O-ring | 1 |
| S15 | 96-02 | | 111.20.347.00 | Gear pump | 1 |
| S16 | 96-02 | | 9007300-3722 | Screw | 2 |
| S26 | 96-02 | | 9009610-4069 | Washer | 2 |

Order code: GSX

| | | | | | |
|-----|-------|--|---------------|---------------------|---|
| B01 | 00-45 | | 4350350 | Housing, front pump | 1 |
| S14 | 00-45 | | 5000373 | O-ring | 1 |
| S15 | 00-45 | | 111.20.134.00 | Gear pump | 1 |
| S16 | 00-45 | | 9007300-3722 | Screw | 2 |
| S26 | 00-45 | | 9009610-4069 | Washer | 2 |

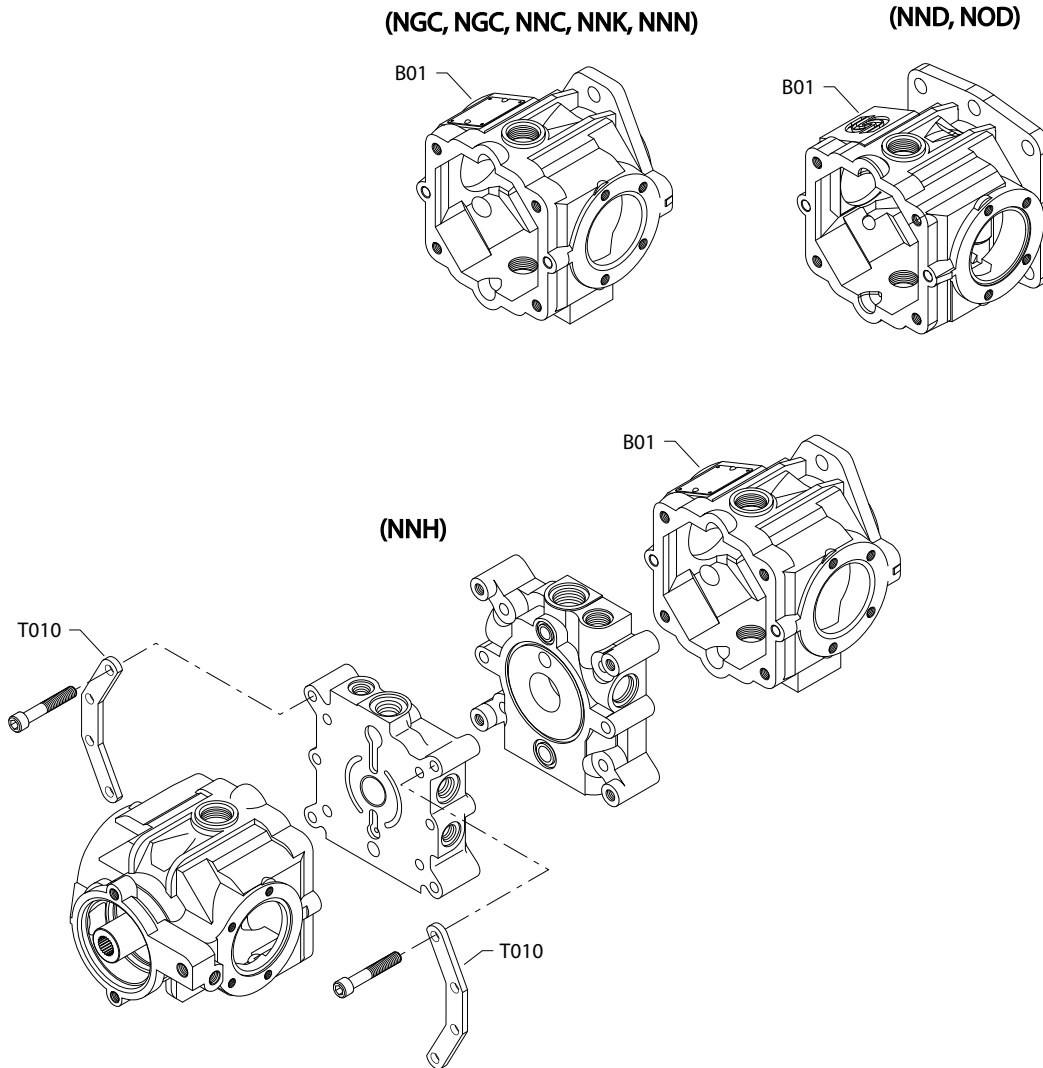
Order code: GUG

| | | | | | |
|-----|-------|--|--------------|---------------------|---|
| B01 | 04-18 | | 4350350 | Housing, front pump | 1 |
| S14 | 04-18 | | 5000373 | O-ring | 1 |
| S15 | 04-18 | | 163D71570 | Gear pump | 1 |
| S16 | 04-18 | | 9007300-3716 | Screw | 2 |

Variable displacement tandem pump

MPT035D special hardware NGC-NVC

Parts configuration



Variable displacement tandem pump

Order codes: NGC, NGV

| Item | Date Begin | Date End | Part Number | Part Name | Qty. per Model/Kit |
|------|------------|----------|-------------|---------------------|--------------------|
| B01 | 06-10 | | 4350350 | Housing, front pump | 1 |

Order code: NNC

| | | | | | |
|-----|-------|--|---------|---------------------|---|
| B01 | 06-10 | | 4350350 | Housing, front pump | 1 |
|-----|-------|--|---------|---------------------|---|

Order code: NND

| | | | | | |
|-----|-------|--|---------|-----------------------------|---|
| B01 | 06-10 | | 4350824 | Housing, front pump, 4 bolt | 1 |
|-----|-------|--|---------|-----------------------------|---|

Order code: NNH

| | | | | | |
|------|-------|--|----------|---------------------|---|
| B01 | 10-29 | | 4350350 | Housing, front pump | 1 |
| T010 | 10-29 | | 11082636 | Bracket | 2 |

Order codes: NNK, NNN

| | | | | | |
|-----|-------|--|---------|---------------------|---|
| B01 | 95-45 | | 4350350 | Housing, front pump | 1 |
|-----|-------|--|---------|---------------------|---|

Order code: NOD

| | | | | | |
|-----|-------|--|---------|-----------------------------|---|
| B01 | 06-10 | | 4350824 | Housing, front pump, 4 bolt | 1 |
|-----|-------|--|---------|-----------------------------|---|

Order codes: NOP, NQR

| | | | | | |
|-----|-------|--|---------|---------------------|---|
| B01 | 06-10 | | 4350350 | Housing, front pump | 1 |
|-----|-------|--|---------|---------------------|---|

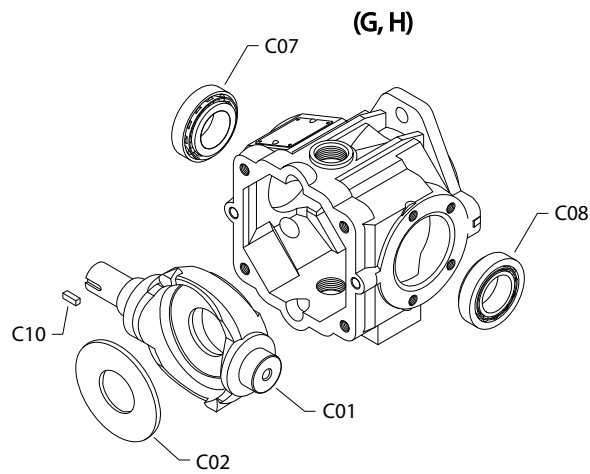
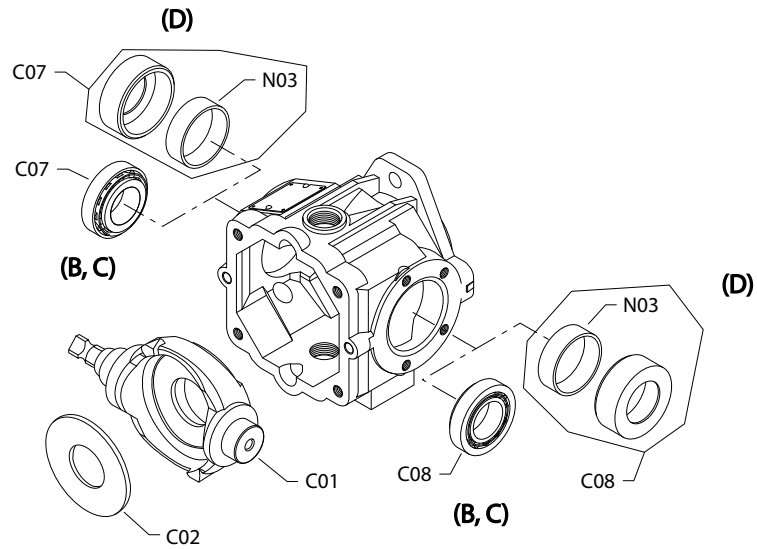
Order code: NVC

| | | | | | |
|-----|-------|--|---------|---------------------|---|
| B01 | 11-45 | | 4350350 | Housing, front pump | 1 |
|-----|-------|--|---------|---------------------|---|

Variable displacement tandem pump

S40 MPT swashplate B-H

Parts configuration



Variable displacement tandem pump
Order code: B

| Item | Date Begin | Date End | Part Number | Part Name | Qty. per Model/Kit |
|------|------------|----------|-------------|----------------------|--------------------|
| C01 | 95-45 | | 4350383 | Swashplate, standard | 1 |
| C02 | 95-45 | | 4350148 | Thrust plate | 1 |
| C07 | 95-45 | | 4800470 | Bearing kit | 1 |
| C08 | 95-45 | | 4800470 | Bearing kit | 1 |

Order code: C

| | | | | | |
|-----|-------|--|----------|--------------------|---|
| C01 | 95-45 | | 11166719 | Swashplate, tapped | 1 |
| C02 | 95-45 | | 4350148 | Thrust plate | 1 |
| C07 | 95-45 | | 4800470 | Bearing kit | 1 |
| C08 | 95-45 | | 4800470 | Bearing kit | 1 |

Order code: D

| | | | | | |
|-----|-------|-------|---------|--------------------------|---|
| C01 | 99-24 | 07-18 | 4350738 | Swashplate, DU bearing | 1 |
| C02 | 99-24 | 07-18 | 4350148 | Thrust plate | 1 |
| C07 | 99-24 | 07-18 | 4250039 | Bearing carrier assembly | 1 |
| C08 | 99-24 | 07-18 | 4250039 | Bearing carrier assembly | 1 |
| N03 | 99-24 | 07-18 | 4700010 | Journal bearing | 2 |

Order code: G

| | | | | | |
|-----|-------|--|---------|---|---|
| C01 | 03-07 | | 4350823 | Swashplate, 24 mm diameter keyed, 14.6° | 1 |
| C02 | 03-07 | | 4350148 | Thrust plate | 1 |
| C07 | 03-07 | | 4800470 | Bearing kit | 1 |
| C08 | 03-07 | | 4800470 | Bearing kit | 1 |
| C10 | 05-05 | | 1040275 | Key | 1 |

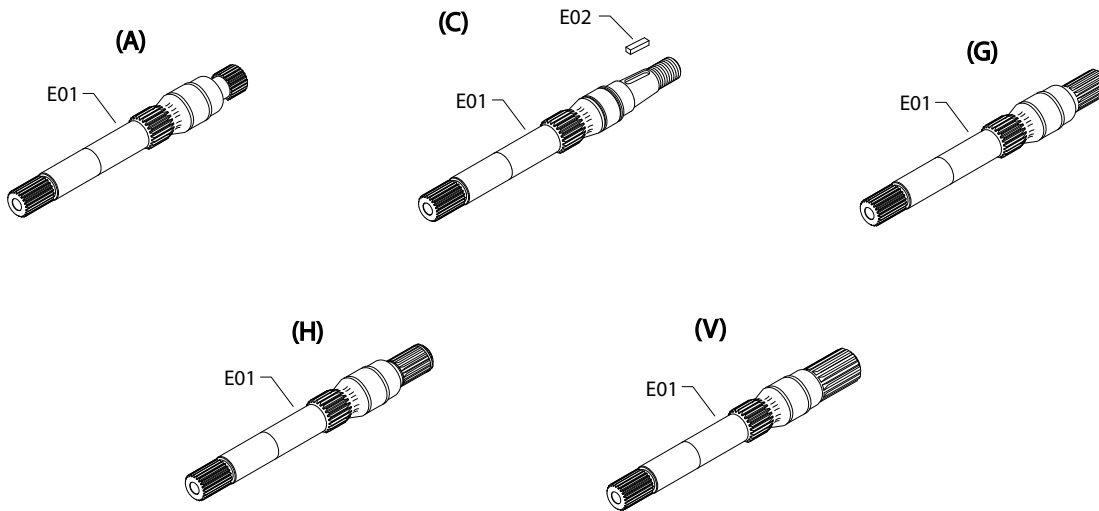
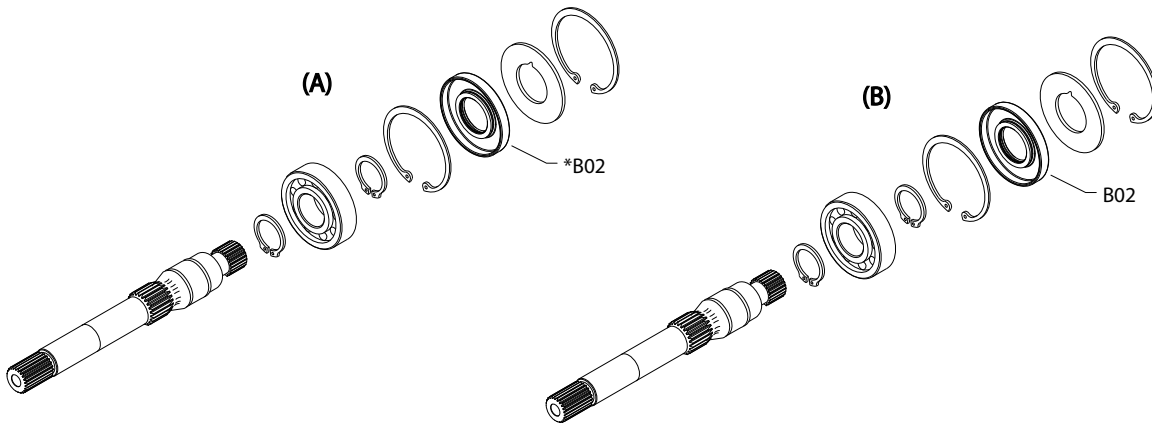
Order code: H

| | | | | | |
|-----|-------|--|---------|---------------------------------------|---|
| C01 | 03-07 | | 4350822 | Swashplate, 24 mm diameter keyed, 16° | 1 |
| C02 | 03-07 | | 4350148 | Thrust plate | 1 |
| C07 | 03-07 | | 4800470 | Bearing kit | 1 |
| C08 | 03-07 | | 4800470 | Bearing kit | 1 |
| C10 | 05-05 | | 1040275 | Key | 1 |

Variable displacement tandem pump

S40 MPT shaft and shaft seal

Parts configuration



* Included in overhaul seal kit Q210

Variable displacement tandem pump

Shaft seal

Order code: A

| Item | Date Begin | Date End | Part Number | Part Name | Qty. per Model/Kit |
|------|------------|----------|-------------|---|--------------------|
| B02 | 95-45 | | 5000689 | Lip seal (SB-2003-018 on page 113) | 1 |

Order code: B

| | | | | | |
|-----|-------|--|----------|----------|---|
| B02 | 13-03 | | 11103135 | Lip seal | 1 |
|-----|-------|--|----------|----------|---|

Order code: C

| | | | | | |
|----------|--|--|--|--|--|
| No parts | | | | | |
|----------|--|--|--|--|--|

Input shaft

Order code: A

| | | | | | |
|-----|-------|--|---------|------------------------|---|
| E01 | 95-45 | | 4350425 | Shaft, 15-tooth spline | 1 |
|-----|-------|--|---------|------------------------|---|

Order code: C

| | | | | | |
|-----|-------|-------|--------------|---|---|
| E01 | 95-45 | | 4350791 | Shaft, tapered (SB-2002-021 on page 111) | 1 |
| E02 | 02-27 | | 5000664 | Key, square (SB-2002-021 on page 111) | 1 |
| E02 | 95-45 | 02-26 | 9003310-2514 | Key, woodruff | 1 |

Order code: G

| | | | | | |
|-----|-------|--|---------|---------------------------------|---|
| E01 | 95-45 | | 4350433 | Shaft, 15-tooth spline, special | 1 |
|-----|-------|--|---------|---------------------------------|---|

Order code: H

| | | | | | |
|-----|-------|--|----------|---|---|
| E01 | 95-45 | | 11066019 | Shaft, 15-tooth spline, no undercut, snap ring groove | 1 |
|-----|-------|--|----------|---|---|

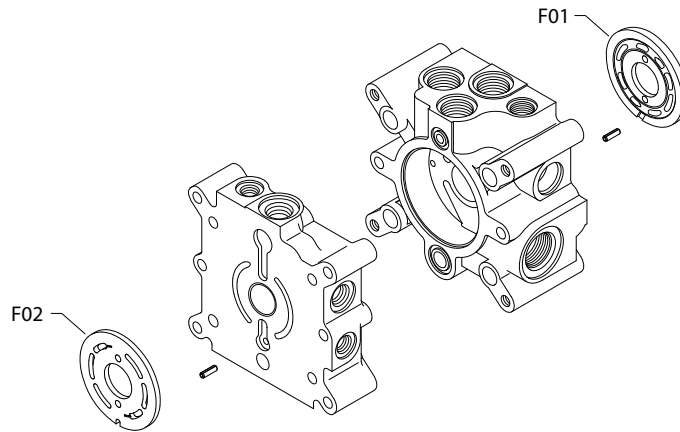
Order code: V

| | | | | | |
|-----|-------|--|---------|-----------------|---|
| E01 | 03-07 | | 1715573 | Shaft, 18-tooth | 1 |
|-----|-------|--|---------|-----------------|---|

Variable displacement tandem pump

S40 MPT valve plate rotation 2-9, B-Y

Parts configuration



Variable displacement tandem pump

Order code: 2

| Item | Date Begin | Date End | Part Number | Part Name | Qty. per Model/Kit |
|------|------------|----------|-------------|----------------------------|--------------------|
| F01 | 95-50 | 03-29 | 4350729 | Valve plate, CCW, 4° index | 1 |
| F02 | 95-50 | 03-29 | 4350728 | Valve plate, CW, 4° index | 1 |

Order code: 4

| | | | | | |
|-----|-------|--|---------|-----------------------------|---|
| F01 | 97-06 | | 4440076 | Valve plate, CCW, low force | 1 |
| F02 | 97-06 | | 4440075 | Valve plate, CW, low force | 1 |

Order code: 5

| | | | | | |
|-----|-------|--|---------|-----------------------------|---|
| F01 | 97-11 | | 4440075 | Valve plate, CW, low force | 1 |
| F02 | 97-11 | | 4440076 | Valve plate, CCW, low force | 1 |

Order code: 8

| | | | | | |
|-----|-------|--|---------|----------------------------|---|
| F01 | 03-34 | | 4350730 | Valve plate, CW, 6° index | 1 |
| F02 | 03-34 | | 4350731 | Valve plate, CCW, 6° index | 1 |

Order code: 9

| | | | | | |
|-----|-------|--|---------|----------------------------|---|
| F01 | 03-21 | | 4350728 | Valve plate, CW, 4° index | 1 |
| F02 | 03-21 | | 4350729 | Valve plate, CCW, 4° index | 1 |

Order code: B

| | | | | | |
|-----|-------|-------|---------|----------------------------|---|
| F01 | 95-45 | 03-29 | 4350728 | Valve plate, CW, 4° index | 1 |
| F02 | 95-45 | 03-29 | 4350729 | Valve plate, CCW, 4° index | 1 |

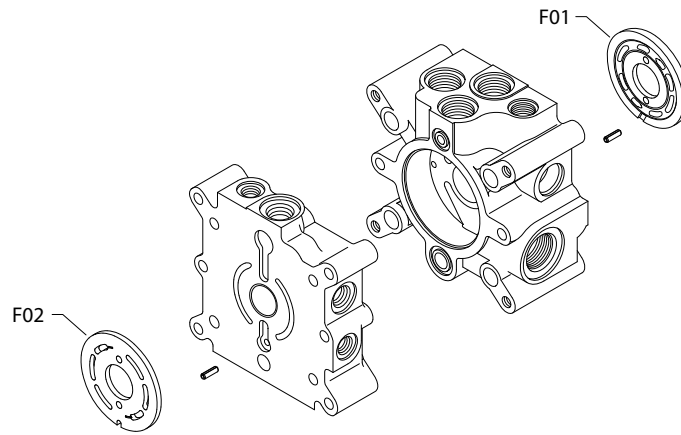
Order code: J

| | | | | | |
|-----|-------|--|----------|----------------------------|---|
| F01 | 14-38 | | 11155056 | Valve plate, CW, 5° index | 1 |
| F02 | 14-38 | | 11155058 | Valve plate, CCW, 5° index | 1 |

[Parts continue to the next 2 pages.](#)

Variable displacement tandem pump

Parts configuration



Variable displacement tandem pump

Order code: K

| Item | Date Begin | Date End | Part Number | Part Name | Qty. per Model/Kit |
|------|------------|----------|-------------|----------------------------|--------------------|
| F01 | 14-38 | | 11155058 | Valve plate, CCW, 5° index | 1 |
| F02 | 14-38 | | 11155056 | Valve plate, CW, 5° index | 1 |

Order code: L

| | | | | | |
|-----|-------|--|---------|-------------------|---|
| F01 | 95-45 | | 4350158 | Valve plate, CCW, | 1 |
| F02 | 95-45 | | 4350157 | Valve plate, CW | 1 |

Order code: M

| | | | | | |
|-----|-------|--|---------|----------------------------|---|
| F01 | 95-45 | | 4350285 | Valve plate, CW, 0° index | 1 |
| F02 | 95-45 | | 4350284 | Valve plate, CCW, 0° index | 1 |

Order code: N

| | | | | | |
|-----|-------|--|---------|----------------------------|---|
| F01 | 95-45 | | 4350284 | Valve plate, CCW, 0° index | 1 |
| F02 | 95-45 | | 4350285 | Valve plate, CW, 0° index | 1 |

Order code: R

| | | | | | |
|-----|-------|--|---------|------------------|---|
| F01 | 95-45 | | 4350157 | Valve plate, CW | 1 |
| F02 | 95-45 | | 4350158 | Valve plate, CCW | 1 |

Order code: W

| | | | | | |
|-----|-------|--|---------|-------------------------|---|
| F01 | 95-45 | | 4350322 | Valve plate, CW, quiet | 1 |
| F02 | 95-45 | | 4350323 | Valve plate, CCW, quiet | 1 |

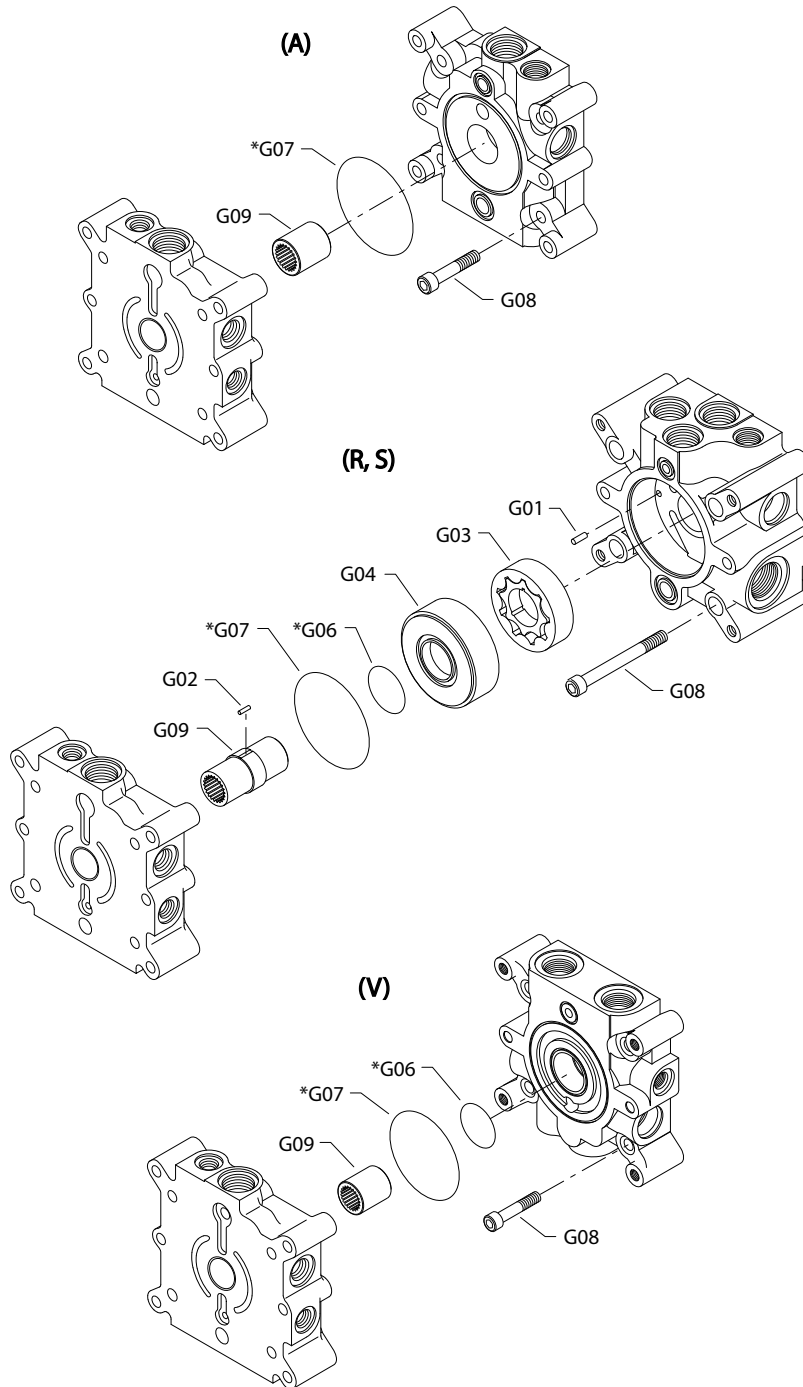
Order code: Y

| | | | | | |
|-----|-------|--|---------|-------------------------|---|
| F01 | 95-45 | | 4350323 | Valve plate, CCW, quiet | 1 |
| F02 | 95-45 | | 4350322 | Valve plate, CW, quiet | 1 |

Variable displacement tandem pump

S40 MPT charge pump A-V

Parts configuration



* Included in overhaul seal kit Q210

Variable displacement tandem pump

Order code: A

| Item | Date Begin | Date End | Part Number | Part Name | Qty. per Model/Kit |
|------|------------|----------|-----------------------|-----------------|--------------------|
| G07 | 95-45 | | 9004100-1530 | O-ring | 1 |
| G08 | 95-45 | | 654053 (9007314-1012) | Screw, M10 x 55 | 4 |
| G09 | 95-45 | | 4350046 | Coupling | 1 |

Order code: R

| | | | | | |
|-----|-------|--|--------------|---|---|
| G01 | 95-45 | | 9004800-1908 | Pin | 1 |
| G02 | 95-45 | | 9004800-1206 | Pin | 1 |
| G03 | 95-45 | | 4800128-0001 | Gerotor assembly, 16.4cc/rev | 1 |
| G04 | 95-45 | | 11111469 | Gerotor spacer (SB-2013-002 on page 116) | 1 |
| G06 | 95-45 | | 5000352 | O-ring | 1 |
| G07 | 95-45 | | 9004100-2370 | O-ring | 1 |
| G08 | 95-45 | | 9007314-1018 | Screw, M10 x 90 | 4 |
| G09 | 95-45 | | 11104848 | Coupling (SB-2013-002 on page 116) | 1 |

Order code: S

| | | | | | |
|-----|-------|--|--------------|---|---|
| G01 | 95-45 | | 9004800-1908 | Pin | 1 |
| G02 | 95-45 | | 9004800-1206 | Pin | 1 |
| G03 | 95-45 | | 4800128-0002 | Gerotor assembly, 19.7cc/rev | 1 |
| G04 | 95-45 | | 4800178 | Gerotor spacer | 1 |
| G06 | 95-45 | | 5000352 | O-ring | 1 |
| G07 | 95-45 | | 9004100-2370 | O-ring | 1 |
| G08 | 95-45 | | 9007314-1018 | Screw, M10 x 90 | 4 |
| G09 | 95-45 | | 11104848 | Coupling (SB-2013-002 on page 116) | 1 |

Order code: V

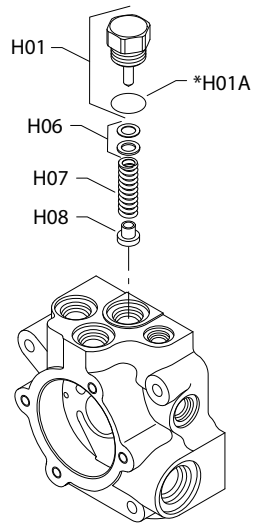
| | | | | | |
|-----|-------|--|-----------------------|-----------------|---|
| G06 | 03-05 | | 9004100-1310 | O-ring | 1 |
| G07 | 03-05 | | 9004100-1530 | O-ring | 1 |
| G08 | 03-05 | | 654053 (9007314-1012) | Screw, M10 x 55 | 4 |
| G09 | 03-05 | | 4350046 | Coupling | 1 |

Variable displacement tandem pump

Charge pressure relief/setting

MPT035D charge pressure relief valve A-E

Parts configuration



* Include in overhaul seal kit

Variable displacement tandem pump

Order code: A

| Item | Date Begin | Date End | Part Number | Part Name | Qty. per Model/Kit |
|------|------------|----------|-----------------------|--------------------------------|--------------------|
| H01 | 95-45 | | 4800308 | Plug assembly/16 bar [230 psi] | 1 |
| H01A | 95-45 | | 001149 (9004201-6200) | O-ring | 1 |
| H06 | 95-45 | | 4510027 | Shim kit | 1 |
| H07 | 95-45 | | 4800176 | Spring | 1 |
| H08 | 95-45 | | 4800134 | Poppet | 1 |

Order code: C

| | | | | | |
|------|-------|--|-----------------------|--------------------------------|---|
| H01 | 95-50 | | 4800308 | Plug assembly/18 bar [260 psi] | 1 |
| H01A | 95-50 | | 001149 (9004201-6200) | O-ring | 1 |
| H06 | 95-50 | | 4510027 | Shim kit | 1 |
| H07 | 95-50 | | 4800176 | Spring | 1 |
| H08 | 95-50 | | 4800134 | Poppet | 1 |

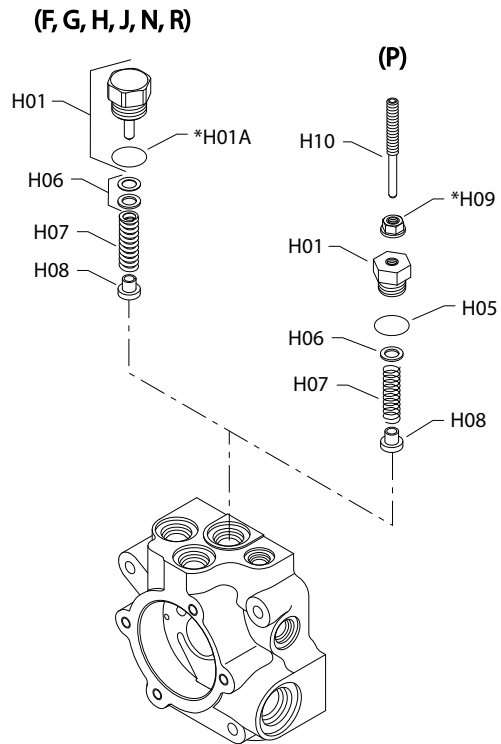
Order code: E

| | | | | | |
|------|-------|--|-----------------------|--------------------------------|---|
| H01 | 95-45 | | 4800308 | Plug assembly/11 bar [160 psi] | 1 |
| H01A | 95-45 | | 001149 (9004201-6200) | O-ring | 1 |
| H06 | 95-45 | | 4510027 | Shim kit | 1 |
| H07 | 95-45 | | 4800176 | Spring | 1 |
| H08 | 95-45 | | 4800134 | Poppet | 1 |

Variable displacement tandem pump

MPT035D charge pressure relief valve F-P

Parts configuration



* Included in overhaul seal kit Q210

Variable displacement tandem pump

Order code: F

| Item | Date Begin | Date End | Part Number | Part Name | Qty. per Model/Kit |
|------|------------|----------|-----------------------|---------------------------------|--------------------|
| H01 | 95-45 | | 4800308 | Plug assembly/7.5 bar [110 psi] | 1 |
| H01A | 95-45 | | 001149 (9004201-6200) | O-ring | 1 |
| H06 | 95-45 | | 4510027 | Shim kit | 1 |
| H07 | 95-45 | | 4800714 | Spring | 1 |
| H08 | 95-45 | | 4800134 | Poppet | 1 |

Order code: G

| | | | | | |
|------|-------|--|-----------------------|--------------------------------|---|
| H01 | 95-45 | | 4800308 | Plug assembly/14 bar [200 psi] | 1 |
| H01A | 95-45 | | 001149 (9004201-6200) | O-ring | 1 |
| H06 | 95-45 | | 4510027 | Shim kit | 1 |
| H07 | 95-45 | | 4800176 | Spring | 1 |
| H08 | 95-45 | | 4800134 | Poppet | 1 |

Order code: H

| | | | | | |
|------|-------|--|-----------------------|--------------------------------|---|
| H01 | 95-45 | | 4800308 | Plug assembly/24 bar [348 psi] | 1 |
| H01A | 95-45 | | 001149 (9004201-6200) | O-ring | 1 |
| H06 | 95-45 | | 4510027 | Shim kit | 1 |
| H07 | 95-45 | | 11022448 | Spring | 1 |
| H08 | 95-45 | | 4800134 | Poppet | 1 |

Order code: J

| | | | | | |
|------|-------|--|-----------------------|--------------------------------|---|
| H01 | 97-13 | | 4800308 | Plug assembly/22 bar [315 psi] | 1 |
| H01A | 97-13 | | 001149 (9004201-6200) | O-ring | 1 |
| H06 | 97-13 | | 4510027 | Shim kit | 1 |
| H07 | 97-13 | | 4800176 | Spring | 1 |
| H08 | 97-13 | | 4800134 | Poppet | 1 |

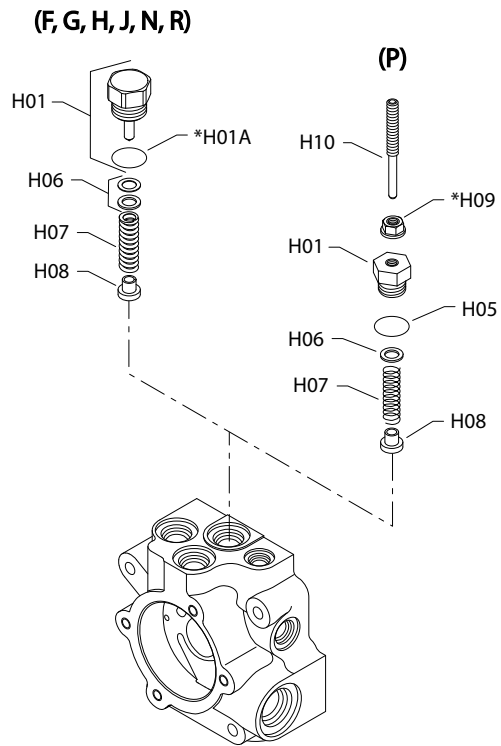
Order code: M

| | | | | | |
|------|-------|--|-----------------------|--------------------------------|---|
| H01 | 13-13 | | 4800308 | Plug assembly/24 bar [348 psi] | 1 |
| H01A | 13-13 | | 001149 (9004201-6200) | O-ring | 1 |
| H06 | 13-13 | | 4510027 | Shim kit | 1 |
| H07 | 13-13 | | 11022448 | Spring | 1 |
| H08 | 13-13 | | 4800134 | Poppet | 1 |

[Parts continue to the next 2 pages.](#)

Variable displacement tandem pump

Parts configuration



* Included in overhaul seal kit Q210

Variable displacement tandem pump

Order code: N

| Item | Date Begin | Date End | Part Number | Part Name | Qty. per Model/Kit |
|------|------------|----------|-----------------------|-------------------------------|--------------------|
| H01 | 95-45 | | 4800308 | Plug assembly/9 bar [130 psi] | 1 |
| H01A | 98-25 | | 001149 (9004201-6200) | O-ring | 1 |
| H06 | 98-25 | | 4510027 | Shim kit | 1 |
| H07 | 98-25 | | 4800149 | Spring | 1 |
| H08 | 98-25 | | 4800134 | Poppet | 1 |

Order code: P

| | | | | | |
|------|-------|-------|-----------------------|------------------------|---|
| H01 | 95-45 | 00-40 | 4350305 | Plug, anti-stall | 1 |
| H05 | 95-45 | 00-40 | 001149 (9004201-6200) | O-ring | 1 |
| H06 | 95-45 | 00-40 | 356568 (9009625-0163) | Washer | 1 |
| H07 | 95-45 | 00-40 | 8800496 | Spring | 1 |
| H08 | 95-45 | 00-40 | 4350299 | Poppet | 1 |
| H09 | 95-45 | 00-40 | 076042 (9003509-0012) | Nut | 1 |
| H010 | 95-45 | 00-40 | 4350301 | Anti-stall guide screw | 1 |

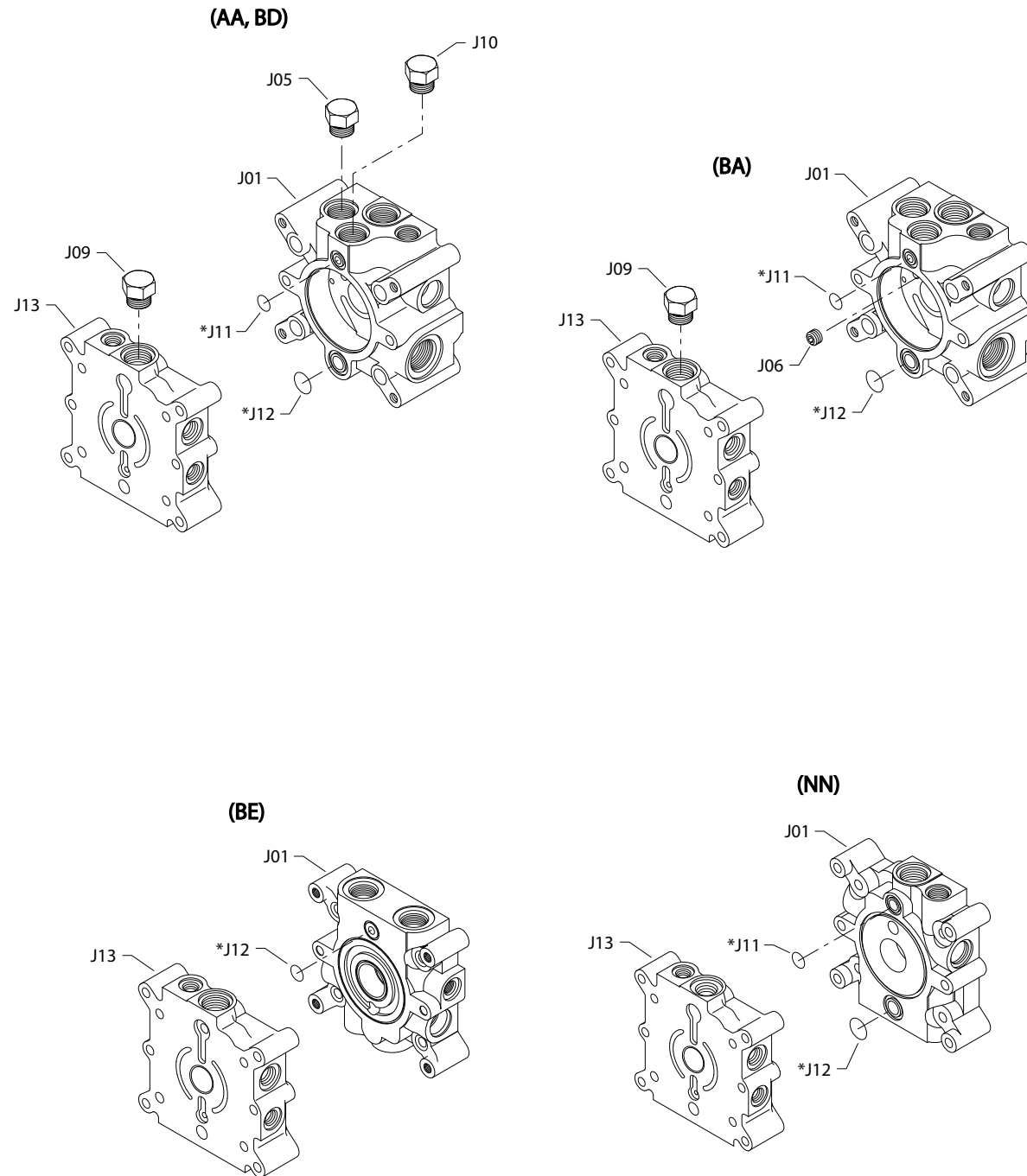
Order code: R

| | | | | | |
|------|-------|--|-----------------------|--------------------------------|---|
| H01 | 98-40 | | 4800308 | Plug assembly/6.2 bar [90 psi] | 1 |
| H01A | 98-40 | | 001149 (9004201-6200) | O-ring | 1 |
| H06 | 98-40 | | 4510027 | Shim kit | 1 |
| H07 | 98-40 | | 4800714 | Spring | 1 |
| H08 | 98-40 | | 4800134 | Poppet | 1 |

Variable displacement tandem pump

S40 MPT filtration

Parts configuration



* Included in overhaul seal kit Q210

Variable displacement tandem pump

Order code: AA

| Item | Date Begin | Date End | Part Number | Part Name | Qty. per Model/Kit |
|------|------------|----------|-----------------------|--|--------------------|
| J01 | 95-45 | | 11089077 | End cap (SB-2010-037 on page 114) | 1 |
| J05 | 95-45 | | 001537 (9005100-8700) | Plug assembly | 1 |
| J09 | 95-45 | | 001537 (9005100-8700) | Plug assembly | 1 |
| J10 | 95-45 | | 001537 (9005100-8700) | Plug assembly | 1 |
| J11 | 95-45 | | 9004100-1140 | O-ring | 1 |
| J12 | 95-45 | | 9004100-1180 | O-ring | 1 |
| J13 | 95-45 | | 4350405 | End cap | 1 |

Order code: BA

| | | | | | |
|-----|-------|--|-----------------------|--|---|
| J01 | 95-45 | | 11089077 | End cap (SB-2010-037 on page 114) | 1 |
| J06 | 95-45 | | 001487 (9005001-2500) | Pipe plug | 1 |
| J09 | 95-45 | | 001537 (9005100-8700) | Plug assembly | 1 |
| J11 | 95-45 | | 9004100-1140 | O-ring | 1 |
| J12 | 95-45 | | 9004100-1180 | O-ring | 1 |
| J13 | 95-45 | | 4350405 | End cap | 1 |

Order code: BD

| | | | | | |
|-----|-------|--|-----------------------|---------------|---|
| J01 | 01-22 | | 4350713 | End cap | 1 |
| J05 | 01-22 | | 001537 (9005100-8700) | Plug assembly | 1 |
| J09 | 01-22 | | 001537 (9005100-8700) | Plug assembly | 1 |
| J10 | 01-22 | | 001537 (9005100-8700) | Plug assembly | 1 |
| J11 | 01-22 | | 9004100-1140 | O-ring | 1 |
| J12 | 01-22 | | 9004100-1180 | O-ring | 1 |
| J13 | 01-22 | | 4350405 | End cap | 1 |

Order code: BE

| | | | | | |
|-----|-------|--|-----------------------|--|---|
| J01 | 03-05 | | 11083594 | End cap, opposing ports (SB-2010-037 on page 114) | 1 |
| J12 | 03-05 | | 511852 (9004100-1140) | O-ring | 1 |
| J13 | 03-05 | | 4440222 | End cap, opposing ports | 1 |

Order code: NN

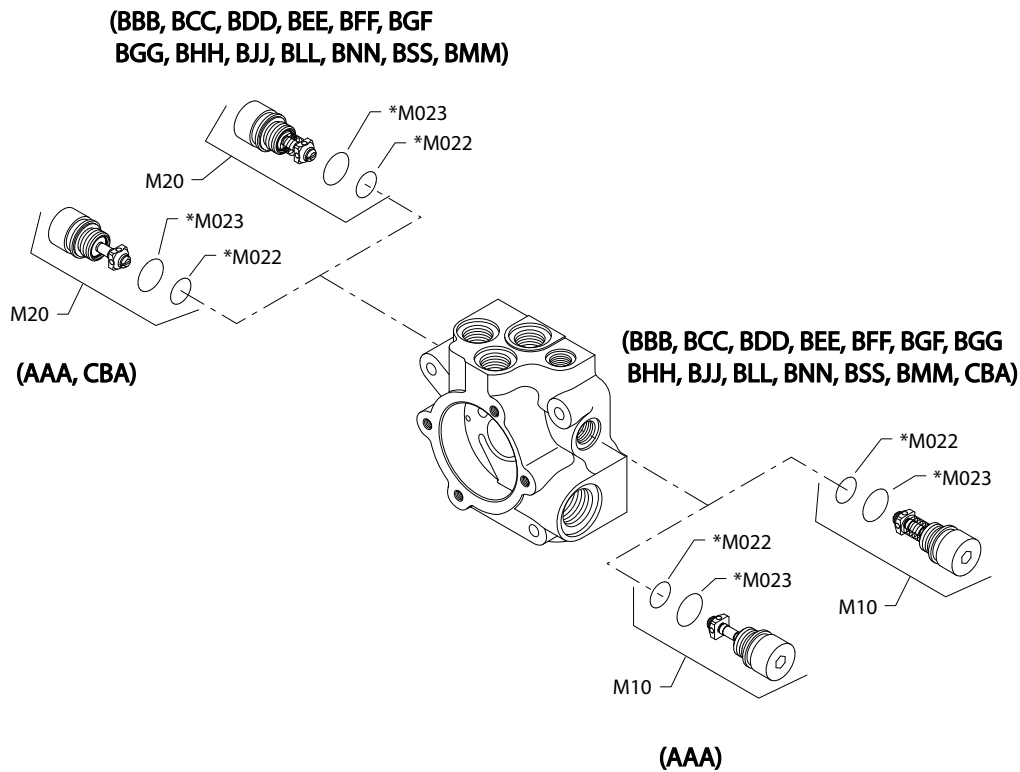
| | | | | | |
|-----|-------|--|--------------|--|---|
| J01 | 95-45 | | 11083596 | End cap (SB-2010-037 on page 114) | 1 |
| J11 | 95-45 | | 9004100-1140 | O-ring | 1 |
| J12 | 95-45 | | 9004100-1180 | O-ring | 1 |
| J13 | 95-45 | | 4350405 | End cap | 1 |

Variable displacement tandem pump

System pressure protection

S40 MPT system pressure protection (front pump) AAA-

Parts configuration



* Included in overhaul seal kit Q210

Variable displacement tandem pump

Common parts

| Item | Date Begin | Date End | Part Number | Part Name | Qty. per Model/Kit |
|------|------------|----------|-----------------------|-----------|--------------------|
| M022 | 95-45 | | 001131 (9004201-5000) | O-ring | 2 |
| M023 | 95-45 | | 9004100-2110 | O-ring | 2 |

Order code: AAA

| | | | | | |
|-----|-------|--|---------|--|---|
| M10 | 95-45 | | 4350634 | Check valve poppet assembly (SB-1996-014 on page 105) | 1 |
| M20 | 95-45 | | 4350634 | Check valve poppet assembly (SB-1996-014 on page 105) | 1 |

Order code: BBB

| | | | | | |
|-----|-------|--|---------|---|---|
| M10 | 95-45 | | 4350643 | SCR valve assembly, 175 bar [2528 psi] (SB-1996-014 on page 105) | 1 |
| M20 | 95-45 | | 4350643 | SCR valve assembly, 175 bar [2528 psi] (SB-1996-014 on page 105) | 1 |

Order code: BCC

| | | | | | |
|-----|-------|--|---------|---|---|
| M10 | 95-45 | | 4350642 | SCR valve assembly, 190 bar [2755 psi] (SB-1996-014 on page 105) | 1 |
| M20 | 95-45 | | 4350642 | SCR valve assembly, 190 bar [2755 psi] (SB-1996-014 on page 105) | 1 |

Order code: BDD

| | | | | | |
|-----|-------|--|---------|---|---|
| M10 | 95-45 | | 4350641 | SCR valve assembly, 210 bar [3045 psi] (SB-1996-014 on page 105) | 1 |
| M20 | 95-45 | | 4350641 | SCR valve assembly, 210 bar [3045 psi] (SB-1996-014 on page 105) | 1 |

Order code: BEE

| | | | | | |
|-----|-------|--|---------|---|---|
| M10 | 95-45 | | 4350640 | SCR valve assembly, 230 bar [3335 psi] (SB-1996-014 on page 105) | 1 |
| M20 | 95-45 | | 4350640 | SCR valve assembly, 230 bar [3335 psi] (SB-1996-014 on page 105) | 1 |

Order code: BFF

| | | | | | |
|-----|-------|--|---------|---|---|
| M10 | 95-45 | | 4350639 | SCR valve assembly, 250 bar [3625 psi] (SB-1996-014 on page 105) | 1 |
| M20 | 95-45 | | 4350639 | SCR valve assembly, 250 bar [3625psi] (SB-1996-014 on page 105) | 1 |

Order code: BGF

| | | | | | |
|-----|-------|--|---------|--|---|
| M10 | 96-28 | | 4350638 | SCR valve assembly, 280 bar [4060 psi] | 1 |
| M20 | 96-28 | | 4350639 | SCR valve assembly, 250 bar [3625 psi] | 1 |

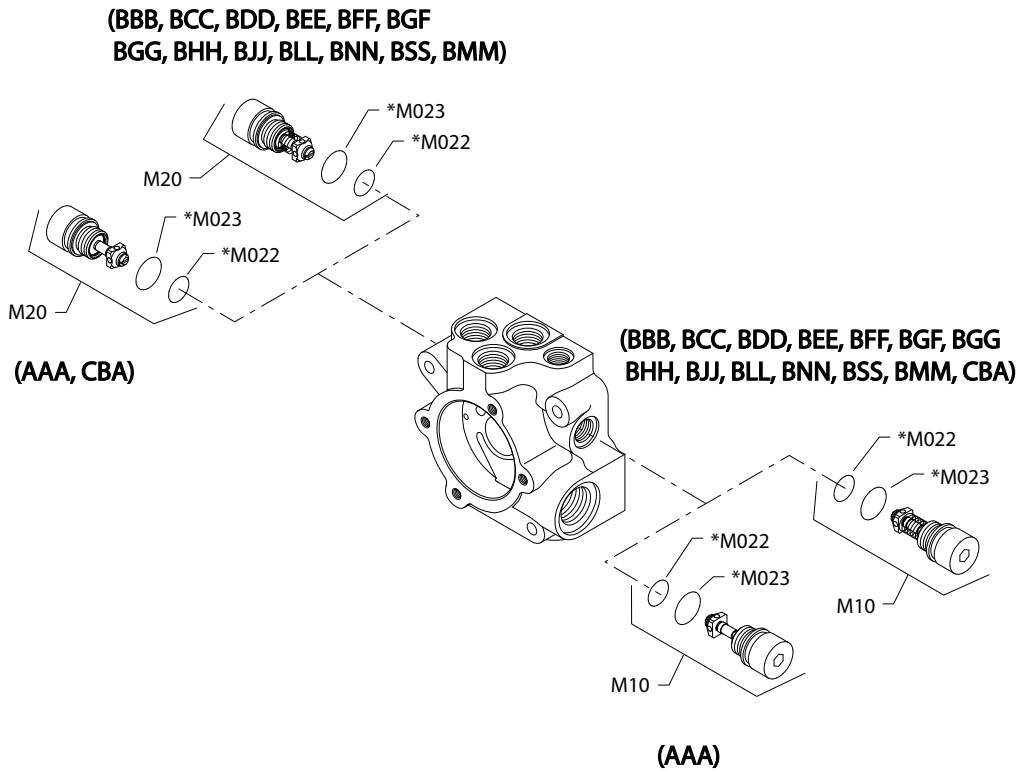
Order code: BGG

| | | | | | |
|-----|-------|--|---------|---|---|
| M10 | 95-45 | | 4350638 | SCR valve assembly, 280 bar [4060 psi] (SB-1996-014 on page 105) | 1 |
| M20 | 95-45 | | 4350638 | SCR valve assembly, 280 bar [4060 psi] (SB-1996-014 on page 105) | 1 |

[Parts continue to the next 2 pages.](#)

Variable displacement tandem pump

Parts configuration



* Included in overhaul seal kit Q210

Variable displacement tandem pump
Common parts

| Item | Date Begin | Date End | Part Number | Part Name | Qty. per Model/Kit |
|------|------------|----------|-----------------------|-----------|--------------------|
| M022 | 95-45 | | 001131 (9004201-5000) | O-ring | 2 |
| M023 | 95-45 | | 9004100-2110 | O-ring | 2 |

Order code: BHH

| | | | | | |
|-----|-------|--|---------|---|---|
| M10 | 95-45 | | 4350637 | SCR valve assembly, 300 bar [4350 psi] (SB-1996-014 on page 105) | 1 |
| M20 | 95-45 | | 4350637 | SCR valve assembly, 300 bar [4350 psi] (SB-1996-014 on page 105) | 1 |

Order code: BJJ

| | | | | | |
|-----|-------|--|---------|---|---|
| M10 | 95-45 | | 4350636 | SCR valve assembly, 345 bar [5000 psi] (SB-1996-014 on page 105) | 1 |
| M20 | 95-45 | | 4350636 | SCR valve assembly, 345 bar [5000 psi] (SB-1996-014 on page 105) | 1 |

Order code: BLL

| | | | | | |
|-----|-------|--|---------|---|---|
| M10 | 95-45 | | 4350646 | SCR valve assembly, 415 bar [6020 psi] (SB-1996-014 on page 105) | 1 |
| M20 | 95-45 | | 4350646 | SCR valve assembly, 415 bar [6020 psi] (SB-1996-014 on page 105) | 1 |

Order code: BMM

| | | | | | |
|-----|-------|--|---------|---|---|
| M10 | 95-45 | | 4350635 | SCR valve assembly, 140 bar [2030 psi] (SB-1996-014 on page 105) | 1 |
| M20 | 95-45 | | 4350635 | SCR valve assembly, 140 bar [2030 psi] (SB-1996-014 on page 105) | 1 |

Order code: BNN

| | | | | | |
|-----|-------|--|---------|---|---|
| M10 | 95-45 | | 4350644 | SCR valve assembly, 260 bar [3770 psi] (SB-1996-014 on page 105) | 1 |
| M20 | 95-45 | | 4350644 | SCR valve assembly, 260 bar [3770 psi] (SB-1996-014 on page 105) | 1 |

Order code: BSS

| | | | | | |
|-----|-------|--|---------|--|---|
| M10 | 95-45 | | 4350694 | SCR valve assembly, 385 bar [5580 psi] | 1 |
| M20 | 95-45 | | 4350694 | SCR valve assembly, 385 bar [5580 psi] | 1 |

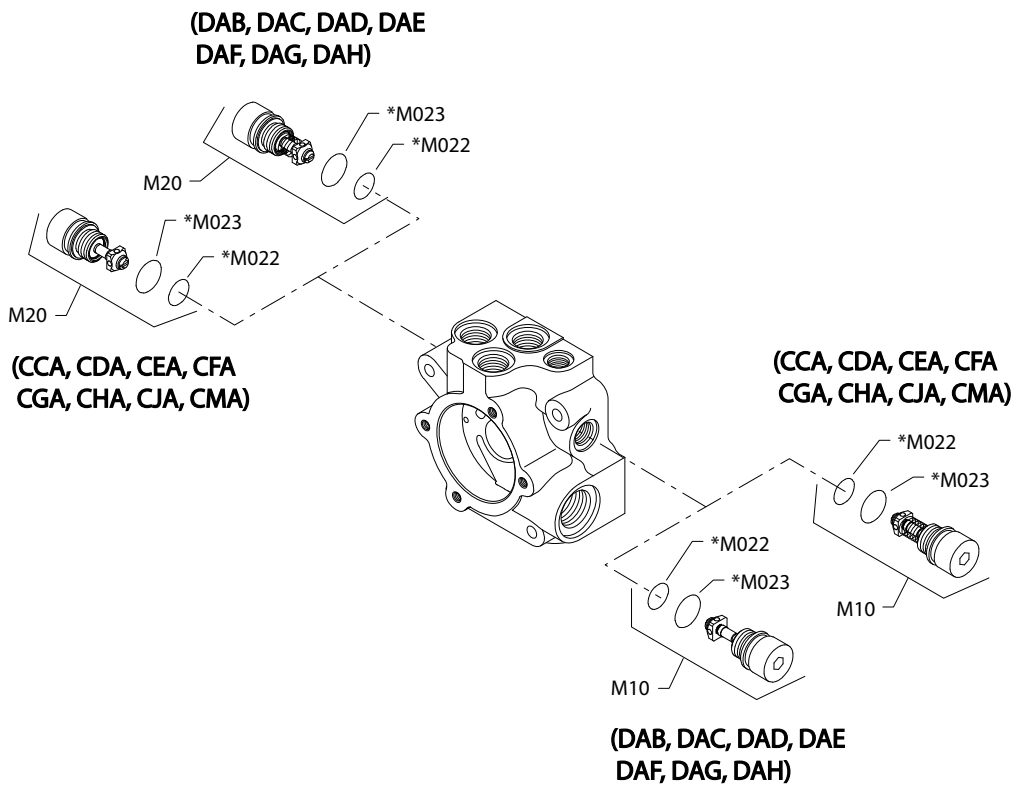
Order code: CBA

| | | | | | |
|-----|-------|--|---------|---|---|
| M10 | 95-45 | | 4350643 | SCR valve assembly, 175 bar [2528 psi] (SB-1996-014 on page 105) | 1 |
| M20 | 95-45 | | 4350634 | Check valve poppet assembly (SB-1996-014 on page 105) | 1 |

Variable displacement tandem pump

MPT035D system pressure protection (front pump) CCA-DAH

Parts configuration



* Included in overhaul seal kit Q210

Variable displacement tandem pump
Common parts

| Item | Date Begin | Date End | Part Number | Part Name | Qty. per Model/Kit |
|------|------------|----------|-----------------------|-----------|--------------------|
| M022 | 95-45 | | 001131 (9004201-5000) | O-ring | 2 |
| M023 | 95-45 | | 9004100-2110 | O-ring | 2 |

Order code: CCA

| | | | | | |
|-----|-------|--|---------|---|---|
| M10 | 95-45 | | 4350642 | SCR valve assembly, 190 bar [2755 psi] (SB-1996-014 on page 105) | 1 |
| M20 | 95-45 | | 4350634 | Check valve poppet assembly (SB-1996-014 on page 105) | 1 |

Order code: CDA

| | | | | | |
|-----|-------|--|---------|---|---|
| M10 | 95-45 | | 4350641 | SCR valve assembly, 210 bar [3045 psi] (SB-1996-014 on page 105) | 1 |
| M20 | 95-45 | | 4350634 | Check valve poppet assembly (SB-1996-014 on page 105) | 1 |

Order code: CEA

| | | | | | |
|-----|-------|--|---------|---|---|
| M10 | 95-45 | | 4350640 | SCR valve assembly, 230 bar [3335 psi] (SB-1996-014 on page 105) | 1 |
| M20 | 95-45 | | 4350634 | Check valve poppet assembly (SB-1996-014 on page 105) | 1 |

Order code: CFA

| | | | | | |
|-----|-------|--|---------|---|---|
| M10 | 95-45 | | 4350639 | SCR valve assembly, 250 bar [3625 psi] (SB-1996-014 on page 105) | 1 |
| M20 | 95-45 | | 4350634 | Check valve poppet assembly (SB-1996-014 on page 105) | 1 |

Order code: CGA

| | | | | | |
|-----|-------|--|---------|---|---|
| M10 | 95-45 | | 4350638 | SCR valve assembly, 280 bar [4060 psi] (SB-1996-014 on page 105) | 1 |
| M20 | 95-45 | | 4350634 | Check valve poppet assembly (SB-1996-014 on page 105) | 1 |

Order code: CHA

| | | | | | |
|-----|-------|--|---------|---|---|
| M10 | 95-45 | | 4350637 | SCR valve assembly, 300 bar [4350 psi] (SB-1996-014 on page 105) | 1 |
| M20 | 95-45 | | 4350634 | Check valve poppet assembly (SB-1996-014 on page 105) | 1 |

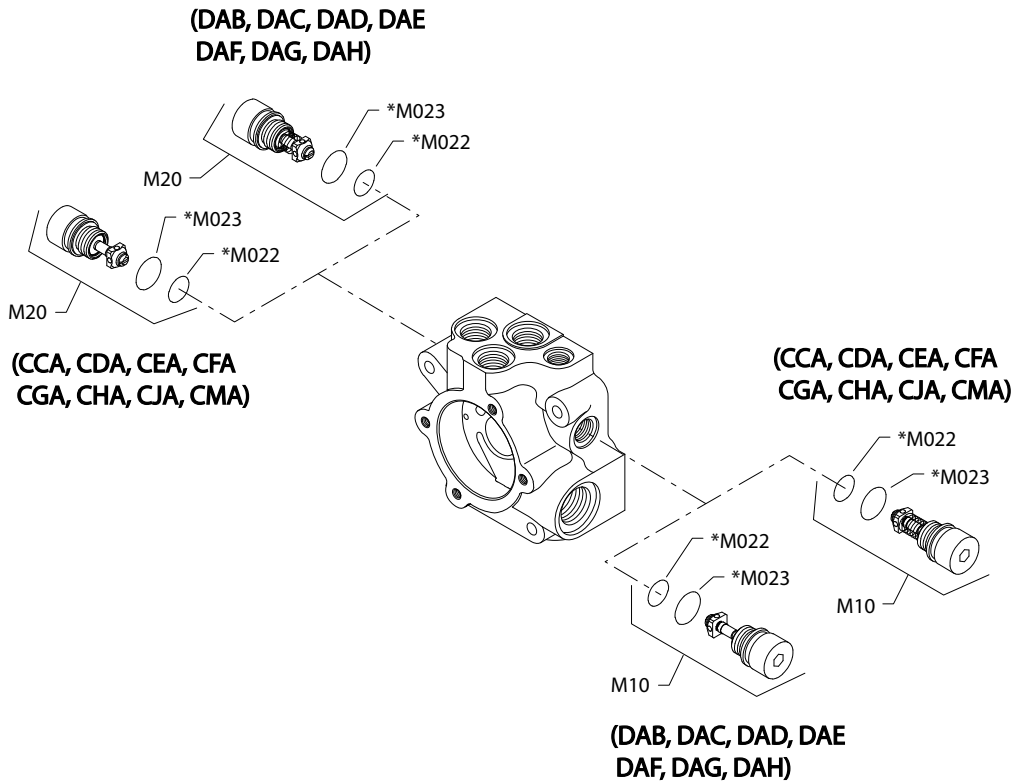
Order code: CJA

| | | | | | |
|-----|-------|--|---------|---|---|
| M10 | 95-45 | | 4350636 | SCR valve assembly, 345 bar [5000 psi] (SB-1996-014 on page 105) | 1 |
| M20 | 95-45 | | 4350634 | Check valve poppet assembly (SB-1996-014 on page 105) | 1 |

[Parts continue to the next 2 pages.](#)

Variable displacement tandem pump

Parts configuration



* Included in overhaul seal kit Q210

Variable displacement tandem pump
Common parts

| Item | Date Begin | Date End | Part Number | Part Name | Qty. per Model/Kit |
|------|------------|----------|-----------------------|-----------|--------------------|
| M022 | 95-45 | | 001131 (9004201-5000) | O-ring | 2 |
| M023 | 95-45 | | 9004100-2110 | O-ring | 2 |

Order code: CMA

| | | | | | |
|-----|-------|--|---------|---|---|
| M10 | 95-45 | | 4350635 | SCR valve assembly, 140 bar [2030 psi] (SB-1996-014 on page 105) | 1 |
| M20 | 95-45 | | 4350634 | Check valve poppet assembly (SB-1996-014 on page 105) | 1 |

Order code: DAB

| | | | | | |
|-----|-------|--|---------|---|---|
| M10 | 95-45 | | 4350634 | Check valve poppet assembly (SB-1996-014 on page 105) | 1 |
| M20 | 95-45 | | 4350643 | SCR valve assembly, 175 bar [2528 psi] (SB-1996-014 on page 105) | 1 |

Order code: DAC

| | | | | | |
|-----|-------|--|---------|---|---|
| M10 | 95-45 | | 4350634 | Check valve poppet assembly (SB-1996-014 on page 105) | 1 |
| M20 | 95-45 | | 4350642 | SCR valve assembly, 190 bar [2755 psi] (SB-1996-014 on page 105) | 1 |

Order code: DAD

| | | | | | |
|-----|-------|--|---------|---|---|
| M10 | 95-45 | | 4350634 | Check valve poppet assembly (SB-1996-014 on page 105) | 1 |
| M20 | 95-45 | | 4350641 | SCR valve assembly, 210 bar [3045 psi] (SB-1996-014 on page 105) | 1 |

Order code: DAE

| | | | | | |
|-----|-------|--|---------|---|---|
| M10 | 95-45 | | 4350634 | Check valve poppet assembly (SB-1996-014 on page 105) | 1 |
| M20 | 95-45 | | 4350640 | SCR valve assembly, 230 bar [3335 psi] (SB-1996-014 on page 105) | 1 |

Order code: DAF

| | | | | | |
|-----|-------|--|---------|---|---|
| M10 | 95-45 | | 4350634 | Check valve poppet assembly (SB-1996-014 on page 105) | 1 |
| M20 | 95-45 | | 4350639 | SCR valve assembly, 250 bar [3625 psi] (SB-1996-014 on page 105) | 1 |

Order code: DAG

| | | | | | |
|-----|-------|--|---------|---|---|
| M10 | 95-45 | | 4350634 | Check valve poppet assembly (SB-1996-014 on page 105) | 1 |
| M20 | 95-45 | | 4350638 | SCR valve assembly, 280 bar [4060 psi] (SB-1996-014 on page 105) | 1 |

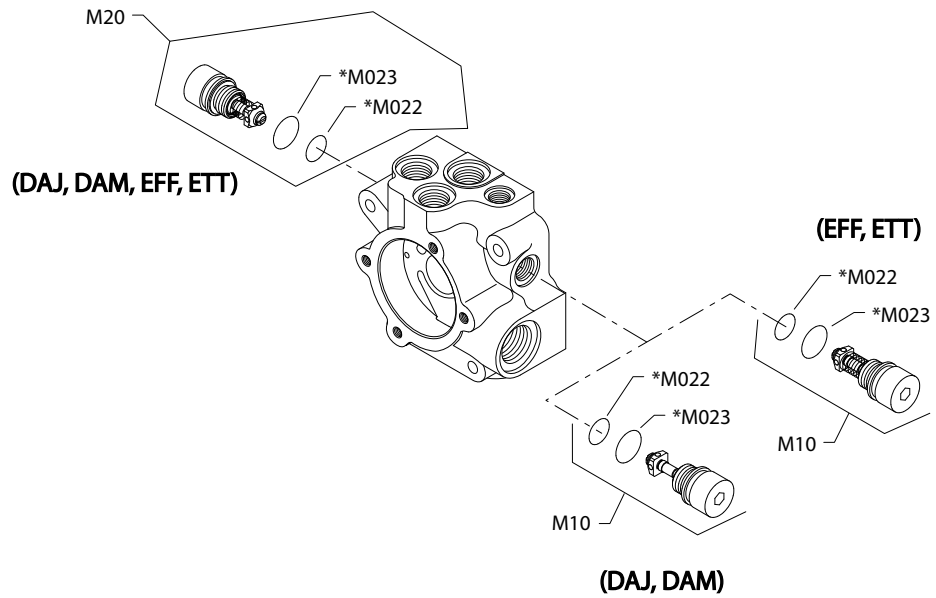
Order code: DAH

| | | | | | |
|-----|-------|--|---------|---|---|
| M10 | 95-45 | | 4350634 | Check valve poppet assembly (SB-1996-014 on page 105) | 1 |
| M20 | 95-45 | | 4350637 | SCR valve assembly, 300 bar [4350 psi] (SB-1996-014 on page 105) | 1 |

Variable displacement tandem pump

MPT035D system pressure protection (front pump) DAJ-ETT

Parts configuration



* Included in overhaul seal kit Q210

Variable displacement tandem pump

Common parts

| Item | Date Begin | Date End | Part Number | Part Name | Qty. per Model/Kit |
|------|------------|----------|-----------------------|-----------|--------------------|
| M022 | 95-45 | | 001131 (9004201-5000) | O-ring | 2 |
| M023 | 95-45 | | 9004100-2110 | O-ring | 2 |

Order code: DAJ

| | | | | | |
|-----|-------|--|---------|---|---|
| M10 | 95-45 | | 4350634 | Check valve poppet assembly (SB-1996-014 on page 105) | 1 |
| M20 | 95-45 | | 4350636 | SCR valve assembly, 345 bar [5000 psi] (SB-1996-014 on page 105) | 1 |

Order code: DAM

| | | | | | |
|-----|-------|--|---------|---|---|
| M10 | 95-45 | | 4350634 | Check valve poppet assembly (SB-1996-014 on page 105) | 1 |
| M20 | 95-45 | | 4350635 | SCR valve assembly, 140 bar [2030 psi] (SB-1996-014 on page 105) | 1 |

Order code: EFF

| | | | | | |
|-----|-------|--|---------|--|---|
| M10 | 98-47 | | 4250139 | SCR valve assembly, 250 bar [3625 psi] | 1 |
| M20 | 98-47 | | 4250139 | SCR valve assembly, 250 bar [3625 psi] | 1 |

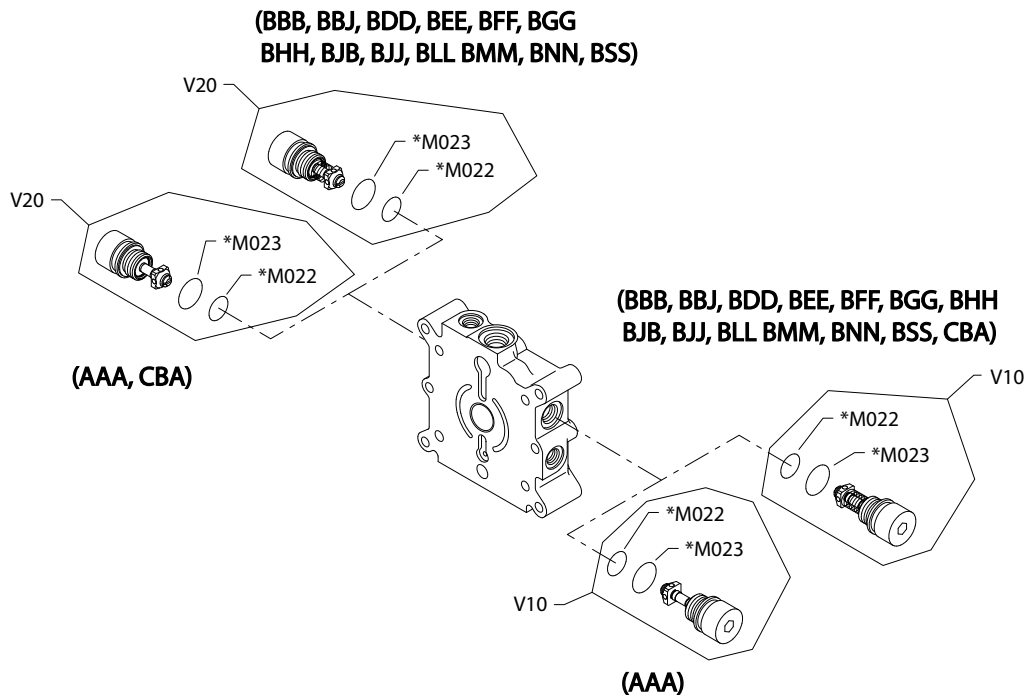
Order code: ETT

| | | | | | |
|-----|-------|--|---------|--|---|
| M10 | 98-31 | | 4350723 | SCR valve assembly, 345 bar [5000 psi] | 1 |
| M20 | 98-31 | | 4350723 | SCR valve assembly, 345 bar [5000 psi] | 1 |

Variable displacement tandem pump

S40 MPT system pressure protection (rear pump) AAA-CBA

Parts configuration



* Included in overhaul seal kit Q210

Variable displacement tandem pump

Common parts

| Item | Date Begin | Date End | Part Number | Part Name | Qty. per Model/Kit |
|------|------------|----------|-----------------------|-----------|--------------------|
| M022 | 95-45 | | 001131 (9004201-5000) | O-ring | 2 |
| M023 | 95-45 | | 9004100-2110 | O-ring | 2 |

Order code: AAA

| | | | | | |
|-----|-------|--|---------|--|---|
| V10 | 95-45 | | 4350634 | Check valve poppet assembly (SB-1996-014 on page 105) | 1 |
| V20 | 95-45 | | 4350634 | Check valve poppet assembly (SB-1996-014 on page 105) | 1 |

Order code: BBB

| | | | | | |
|-----|-------|--|---------|---|---|
| V10 | 95-45 | | 4350643 | SCR valve assembly, 175 bar [2528 psi] (SB-1996-014 on page 105) | 1 |
| V20 | 95-45 | | 4350643 | SCR valve assembly, 175 bar [2528 psi] (SB-1996-014 on page 105) | 1 |

Order code: BBJ

| | | | | | |
|-----|-------|--|---------|---|---|
| V10 | 95-45 | | 4350643 | SCR valve assembly, 175 bar [2528 psi] (SB-1996-014 on page 105) | 1 |
| V20 | 95-45 | | 4350636 | SCR valve assembly, 345 bar [5000 psi] (SB-1996-014 on page 105) | 1 |

Order code: BDD

| | | | | | |
|-----|-------|--|---------|---|---|
| V10 | 95-45 | | 4350641 | SCR valve assembly, 210 bar [3045 psi] (SB-1996-014 on page 105) | 1 |
| V20 | 95-45 | | 4350641 | SCR valve assembly, 210 bar [3045 psi] (SB-1996-014 on page 105) | 1 |

Order code: BEE

| | | | | | |
|-----|-------|--|---------|---|---|
| V10 | 95-45 | | 4350640 | SCR valve assembly, 230 bar [3335 psi] (SB-1996-014 on page 105) | 1 |
| V20 | 95-45 | | 4350640 | SCR valve assembly, 230 bar [3335 psi] (SB-1996-014 on page 105) | 1 |

Order code: BFF

| | | | | | |
|-----|-------|--|---------|---|---|
| V10 | 95-45 | | 4350639 | SCR valve assembly, 250 bar [3625 psi] (SB-1996-014 on page 105) | 1 |
| V20 | 95-45 | | 4350639 | SCR valve assembly, 250 bar [3625psi] (SB-1996-014 on page 105) | 1 |

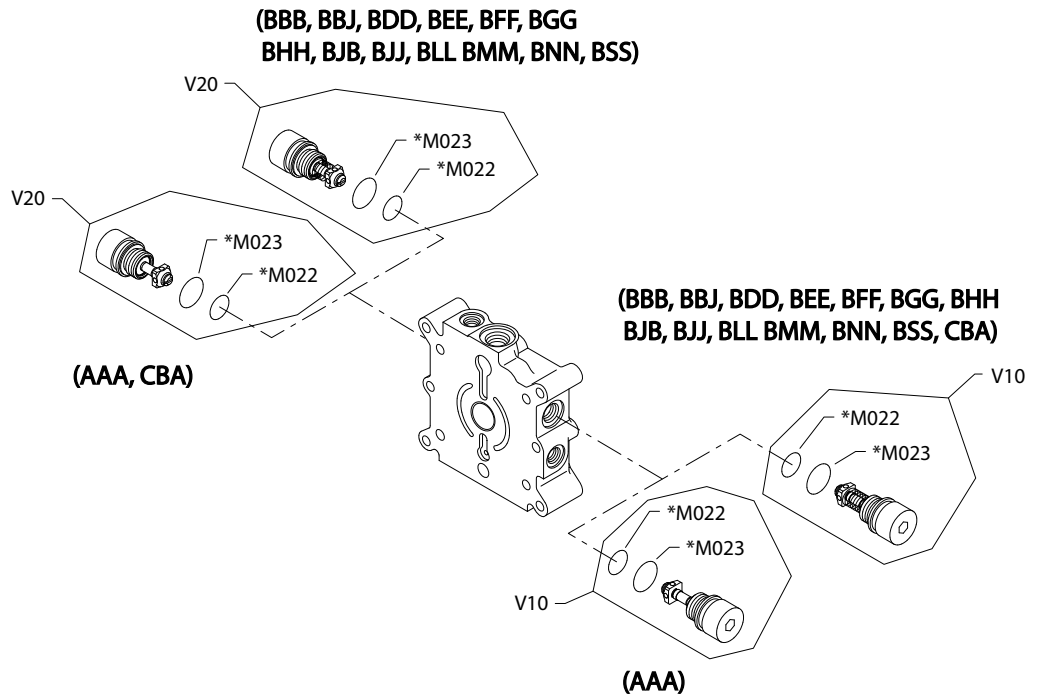
Order code: BGG

| | | | | | |
|-----|-------|--|---------|---|---|
| V10 | 95-45 | | 4350638 | SCR valve assembly, 280 bar [4060 psi] (SB-1996-014 on page 105) | 1 |
| V20 | 95-45 | | 4350638 | SCR valve assembly, 280 bar [4060 psi] (SB-1996-014 on page 105) | 1 |

[Parts continue to the next 2 pages.](#)

Variable displacement tandem pump

Parts configuration



* Included in overhaul seal kit Q210

Variable displacement tandem pump
Common parts

| Item | Date Begin | Date End | Part Number | Part Name | Qty. per Model/Kit |
|------|------------|----------|-----------------------|-----------|--------------------|
| M022 | 95-45 | | 001131 (9004201-5000) | O-ring | 2 |
| M023 | 95-45 | | 9004100-2110 | O-ring | 2 |

Order code: BHH

| | | | | | |
|-----|-------|--|---------|---|---|
| V10 | 95-45 | | 4350637 | SCR valve assembly, 300 bar [4350 psi] (SB-1996-014 on page 105) | 1 |
| V20 | 95-45 | | 4350637 | SCR valve assembly, 300 bar [4350 psi] (SB-1996-014 on page 105) | 1 |

Order code: BJB

| | | | | | |
|-----|-------|--|---------|---|---|
| V10 | 95-45 | | 4350636 | SCR valve assembly, 345 bar [5000 psi] (SB-1996-014 on page 105) | 1 |
| V20 | 95-45 | | 4350643 | SCR valve assembly, 175 bar [2528 psi] (SB-1996-014 on page 105) | 1 |

Order code: BJJ

| | | | | | |
|-----|-------|--|---------|---|---|
| V10 | 95-45 | | 4350636 | SCR valve assembly, 345 bar [5000 psi] (SB-1996-014 on page 105) | 1 |
| V20 | 95-45 | | 4350636 | SCR valve assembly, 345 bar [5000 psi] (SB-1996-014 on page 105) | 1 |

Order code: BLL

| | | | | | |
|-----|-------|--|---------|---|---|
| V10 | 95-45 | | 4350646 | SCR valve assembly, 415 bar [6020 psi] (SB-1996-014 on page 105) | 1 |
| V20 | 95-45 | | 4350646 | SCR valve assembly, 415 bar [6020 psi] (SB-1996-014 on page 105) | 1 |

Order code: BMM

| | | | | | |
|-----|-------|--|---------|---|---|
| V10 | 95-45 | | 4350635 | SCR valve assembly, 140 bar [2030 psi] (SB-1996-014 on page 105) | 1 |
| V20 | 95-45 | | 4350635 | SCR valve assembly, 140 bar [2030 psi] (SB-1996-014 on page 105) | 1 |

Order code: BNN

| | | | | | |
|-----|-------|--|---------|---|---|
| V10 | 95-45 | | 4350644 | SCR valve assembly, 260 bar [3770 psi] (SB-1996-014 on page 105) | 1 |
| V20 | 95-45 | | 4350644 | SCR valve assembly, 260 bar [3770 psi] (SB-1996-014 on page 105) | 1 |

Order code: BSS

| | | | | | |
|-----|-------|--|---------|--|---|
| V10 | 95-45 | | 4350694 | SCR valve assembly, 385 bar [5580 psi] | 1 |
| V20 | 95-45 | | 4350694 | SCR valve assembly, 385 bar [5580 psi] | 1 |

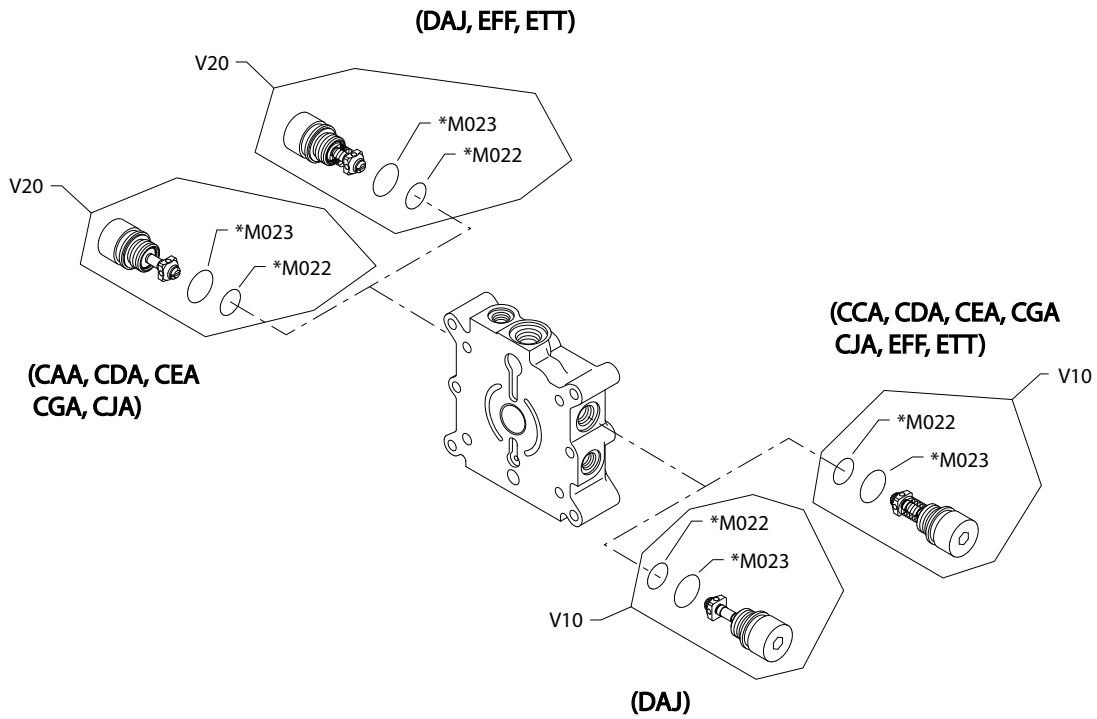
Order code: CBA

| | | | | | |
|-----|-------|--|---------|---|---|
| V10 | 95-45 | | 4350643 | SCR valve assembly, 175 bar [2528 psi] (SB-1996-014 on page 105) | 1 |
| V20 | 95-45 | | 4350634 | Check valve poppet assembly (SB-1996-014 on page 105) | 1 |

Variable displacement tandem pump

MPT035D system pressure protection (rear pump) CCA-ETT

Parts configuration



* Included in overhaul seal kit Q210

Variable displacement tandem pump
Common parts

| Item | Date Begin | Date End | Part Number | Part Name | Qty. per Model/Kit |
|------|------------|----------|-----------------------|-----------|--------------------|
| M022 | 95-45 | | 001131 (9004201-5000) | O-ring | 2 |
| M023 | 95-45 | | 9004100-2110 | O-ring | 2 |

Order code: CCA

| | | | | | |
|-----|-------|--|---------|---|---|
| V10 | 95-45 | | 4350642 | SCR valve assembly, 190 bar [2755 psi] (SB-1996-014 on page 105) | 1 |
| V20 | 95-45 | | 4350634 | Check valve poppet assembly (SB-1996-014 on page 105) | 1 |

Order code: CDA

| | | | | | |
|-----|-------|--|---------|---|---|
| V10 | 95-45 | | 4350641 | SCR valve assembly, 210 bar [3045 psi] (SB-1996-014 on page 105) | 1 |
| V20 | 95-45 | | 4350634 | Check valve poppet assembly (SB-1996-014 on page 105) | 1 |

Order code: CEA

| | | | | | |
|-----|-------|--|---------|--|---|
| V10 | 99-17 | | 4350640 | SCR valve assembly, 230 bar [3335 psi] | 1 |
| V20 | 99-17 | | 4350634 | Check valve poppet assembly | 1 |

Order code: CGA

| | | | | | |
|-----|-------|--|---------|--|---|
| V10 | 98-24 | | 4350638 | SCR valve assembly, 280 bar [4060 psi] | 1 |
| V20 | 98-24 | | 4350634 | Check valve poppet assembly | 1 |

Order code: CJA

| | | | | | |
|-----|-------|--|---------|---|---|
| V10 | 95-45 | | 4350636 | SCR valve assembly, 345 bar [5000 psi] (SB-1996-014 on page 105) | 1 |
| V20 | 95-45 | | 4350634 | Check valve poppet assembly (SB-1996-014 on page 105) | 1 |

Order code: DAJ

| | | | | | |
|-----|-------|--|---------|---|---|
| V10 | 95-45 | | 4350634 | Check valve poppet assembly (SB-1996-014 on page 105) | 1 |
| V20 | 95-45 | | 4350636 | SCR valve assembly, 345 bar [5000 psi] (SB-1996-014 on page 105) | 1 |

Order code: EFF

| | | | | | |
|-----|-------|--|---------|--|---|
| V10 | 98-47 | | 4250139 | SCR valve assembly, 250 bar [3625 psi] | 1 |
| V20 | 98-47 | | 4250139 | SCR valve assembly, 250 bar [3625 psi] | 1 |

Order code: ETT

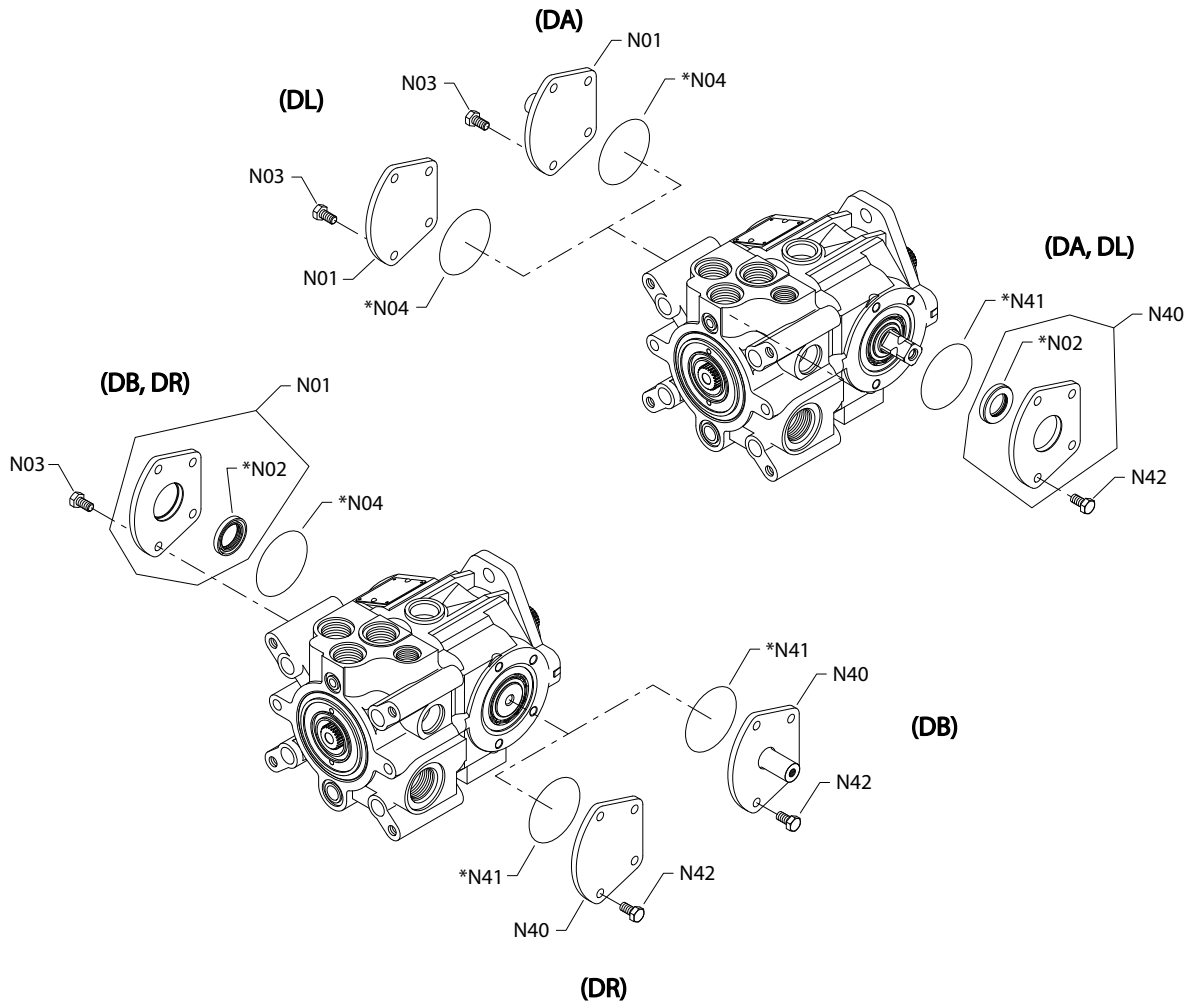
| | | | | | |
|-----|-------|--|---------|--|---|
| V10 | 98-31 | | 4350723 | SCR valve assembly, 345 bar [5000 psi] | 1 |
| V20 | 98-31 | | 4350723 | SCR valve assembly, 345 bar [5000 psi] | 1 |

Variable displacement tandem pump

Direct displacement control

S40 MPT DDC (front pump) DA-DR

Parts configuration



* Included in overhaul seal kit Q210

Variable displacement tandem pump

Order code: DA

| Item | Date Begin | Date End | Part Number | Part Name | Qty. per Model/Kit |
|------|------------|----------|-----------------------|---------------------------------------|--------------------|
| N01 | 03-07 | | 1732161-01 | Trunnion cover w/support | 1 |
| N02 | 03-07 | | 5000604 | Trunnion lip seal | 1 |
| N03 | 03-07 | | 378083 (9007210-0804) | Screw, M8 x 16 | 4 |
| N04 | 03-07 | | 9004300-1460 | O-ring | 1 |
| N40 | 03-07 | | 4350732 | Trunnion cover assembly, on left side | 1 |
| N41 | 03-07 | | 9004300-1460 | O-ring | 1 |
| N42 | 03-07 | | 378083 (9007210-0804) | Screw, M8 x 16 | 4 |

Order code: DB

| | | | | | |
|-----|-------|--|-----------------------|--|---|
| N01 | 03-07 | | 4350732 | Trunnion cover assembly, on right side | 1 |
| N02 | 03-07 | | 5000604 | Trunnion lip seal | 1 |
| N03 | 03-07 | | 378083 (9007210-0804) | Screw, M8 x 16 | 4 |
| N04 | 03-07 | | 9004300-1460 | O-ring | 1 |
| N40 | 03-07 | | 1732161-01 | Trunnion cover w/support | 1 |
| N41 | 03-07 | | 9004300-1460 | O-ring | 1 |
| N42 | 03-07 | | 378083 (9007210-0804) | Screw, M8 x 16 | 4 |

Order code: DL

| | | | | | |
|-----|-------|--|-----------------------|---|---|
| N01 | 95-45 | | 4250027 | Trunnion cover | 1 |
| N02 | 95-45 | | 5000604 | Trunnion lip seal (SB-2000-026A on page 110) | 1 |
| N03 | 95-45 | | 378083 (9007210-0804) | Screw, M8 x 16 | 4 |
| N04 | 95-45 | | 9004300-1460 | O-ring | 1 |
| N40 | 95-45 | | 4350732 | Trunnion cover assembly, on left side (SB-1999-040 on page 109) | 1 |
| N41 | 95-45 | | 9004300-1460 | O-ring | 1 |
| N42 | 95-45 | | 378083 (9007210-0804) | Screw, M8 x 16 | 4 |

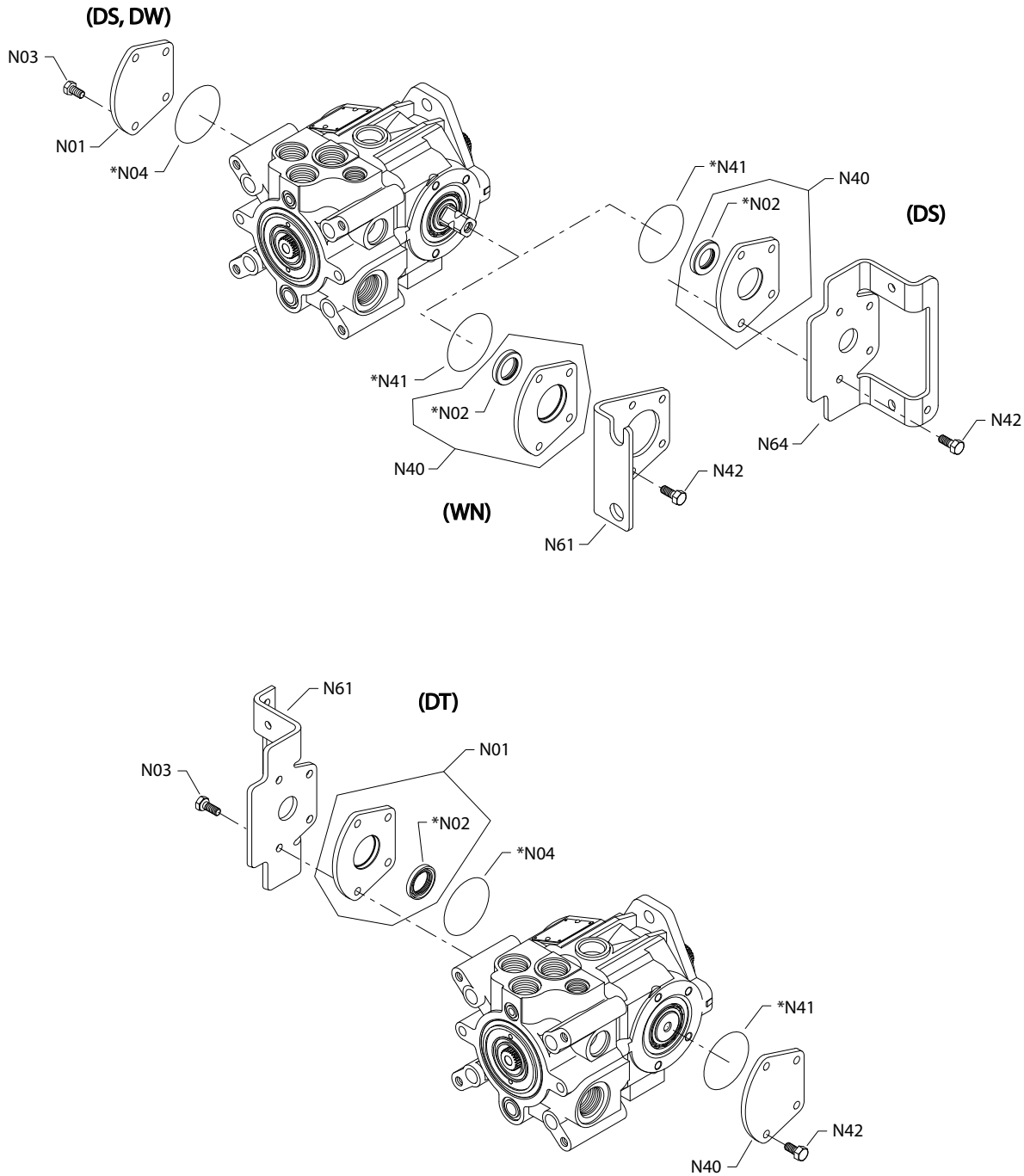
Order code: DR

| | | | | | |
|-----|-------|--|-----------------------|--|---|
| N01 | 95-45 | | 4350732 | Trunnion cover assembly, on right side (SB-1999-040 on page 109) | 1 |
| N02 | 95-45 | | 5000604 | Trunnion lip seal (SB-2000-026A on page 110) | 1 |
| N03 | 95-45 | | 378083 (9007210-0804) | Screw, M8 x 16 | 4 |
| N04 | 95-45 | | 9004300-1460 | O-ring | 1 |
| N40 | 95-45 | | 4250027 | Trunnion cover | 1 |
| N41 | 95-45 | | 9004300-1460 | O-ring | 1 |
| N42 | 95-45 | | 378083 (9007210-0804) | Screw, M8 x 16 | 4 |

Variable displacement tandem pump

MPT035D DDC (front pump) DS-WN

Parts configuration



* Included in overhaul seal kit Q210

Variable displacement tandem pump

Order code: DS

| Item | Date Begin | Date End | Part Number | Part Name | Qty. per Model/Kit |
|------|------------|----------|-----------------------|---------------------------------------|--------------------|
| N01 | 96-07 | | 4250027 | Trunnion cover | 1 |
| N02 | 96-07 | | 5000604 | Trunnion lip seal | 1 |
| N03 | 96-07 | | 378083 (9007210-0804) | Screw, M8 x 16 | 4 |
| N04 | 96-07 | | 9004300-1460 | O-ring | 1 |
| N40 | 96-07 | | 4350732 | Trunnion cover assembly, on left side | 1 |
| N41 | 96-07 | | 9004300-1460 | O-ring | 1 |
| N42 | 96-07 | | 507205 | Screw, M8 x 20 | 4 |
| N64 | 96-07 | | 4440413 | Front guide bracket | 1 |

Order code: DT

| | | | | | |
|-----|-------|--|-----------------------|--|---|
| N01 | 96-07 | | 4350732 | Trunnion cover assembly, on right side | 1 |
| N02 | 96-07 | | 5000604 | Trunnion lip seal | 1 |
| N03 | 96-07 | | 507205 | Screw, M8 x 20 | 4 |
| N04 | 96-07 | | 9004300-1460 | O-ring | 1 |
| N40 | 96-07 | | 4250027 | Trunnion cover | 1 |
| N41 | 96-07 | | 9004300-1460 | O-ring | 1 |
| N42 | 96-07 | | 378083 (9007210-0804) | Screw, M8 x 16 | 4 |
| N61 | 96-07 | | 4440413 | Front guide bracket | 1 |

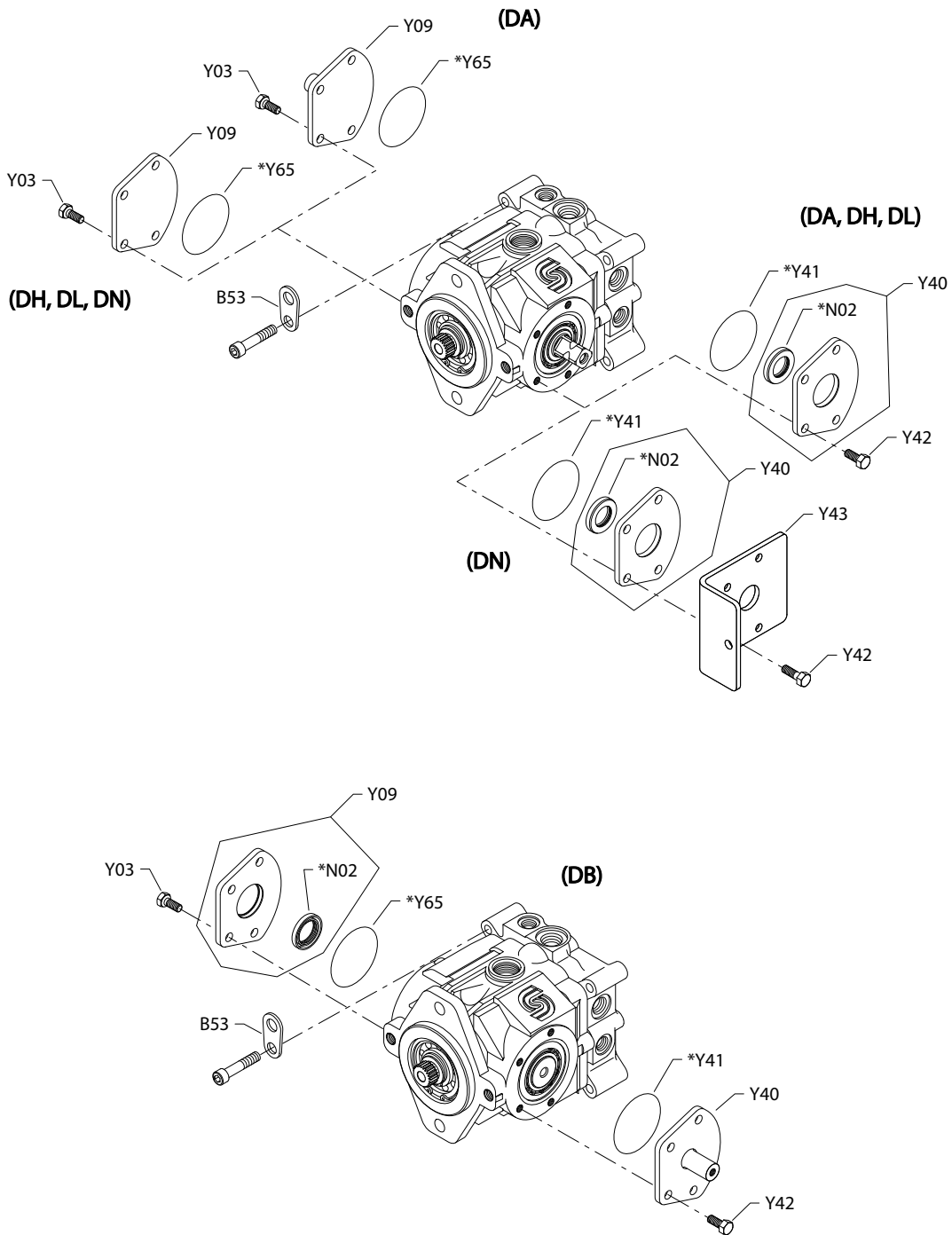
Order code: WN

| | | | | | |
|-----|-------|--|-----------------------|---------------------------------------|---|
| N01 | 15-44 | | 4250027 | Trunnion cover | 1 |
| N02 | 15-44 | | 5000604 | Trunnion lip seal | 1 |
| N03 | 15-44 | | 378083 (9007210-0804) | Screw, M8 x 16 | 4 |
| N04 | 15-44 | | 9004300-1460 | O-ring | 1 |
| N40 | 15-44 | | 4350732 | Trunnion cover assembly, on left side | 1 |
| N41 | 15-44 | | 9004300-1460 | O-ring | 1 |
| N42 | 15-44 | | 507205 | Screw, M8 x 20 | 4 |
| N61 | 15-44 | | 11183943 | Front guide bracket | 1 |

Variable displacement tandem pump

MPT035D DDC (rear pump) DA-DN

Parts configuration



* Included in overhaul seal kit Q210

Variable displacement tandem pump

Order code: DA

| Item | Date Begin | Date End | Part Number | Part Name | Qty. per Model/Kit |
|------|------------|----------|-----------------------|---------------------------------------|--------------------|
| B53 | 03-07 | | 8800565 | Lifting bracket | 1 |
| N02 | 03-07 | | 5000604 | Trunnion lip seal | 1 |
| Y03 | 03-07 | | 378083 (9007210-0804) | Screw, M8 x 16 | 4 |
| Y09 | 03-07 | | 1732161-01 | Trunnion cover w/support | 1 |
| Y40 | 03-07 | | 4350732 | Trunnion cover assembly, on left side | 1 |
| Y41 | 03-07 | | 9004300-1460 | O-ring | 1 |
| Y42 | 03-07 | | 378083 (9007210-0804) | Screw, M8 x 16 | 4 |
| Y65 | 03-07 | | 9004300-1460 | O-ring | 1 |

Order code: DB

| | | | | | |
|-----|-------|--|-----------------------|--|---|
| B53 | 03-07 | | 8800565 | Lifting bracket | 1 |
| N02 | 03-07 | | 5000604 | Trunnion lip seal | 1 |
| Y03 | 03-07 | | 378083 (9007210-0804) | Screw, M8 x 16 | 4 |
| Y09 | 03-07 | | 4350732 | Trunnion cover assembly, on right side | 1 |
| Y40 | 03-07 | | 1732161-01 | Trunnion cover w/support | 1 |
| Y41 | 03-07 | | 9004300-1460 | O-ring | 1 |
| Y42 | 03-07 | | 378083 (9007210-0804) | Screw, M8 x 16 | 4 |
| Y65 | 03-07 | | 9004300-1460 | O-ring | 1 |

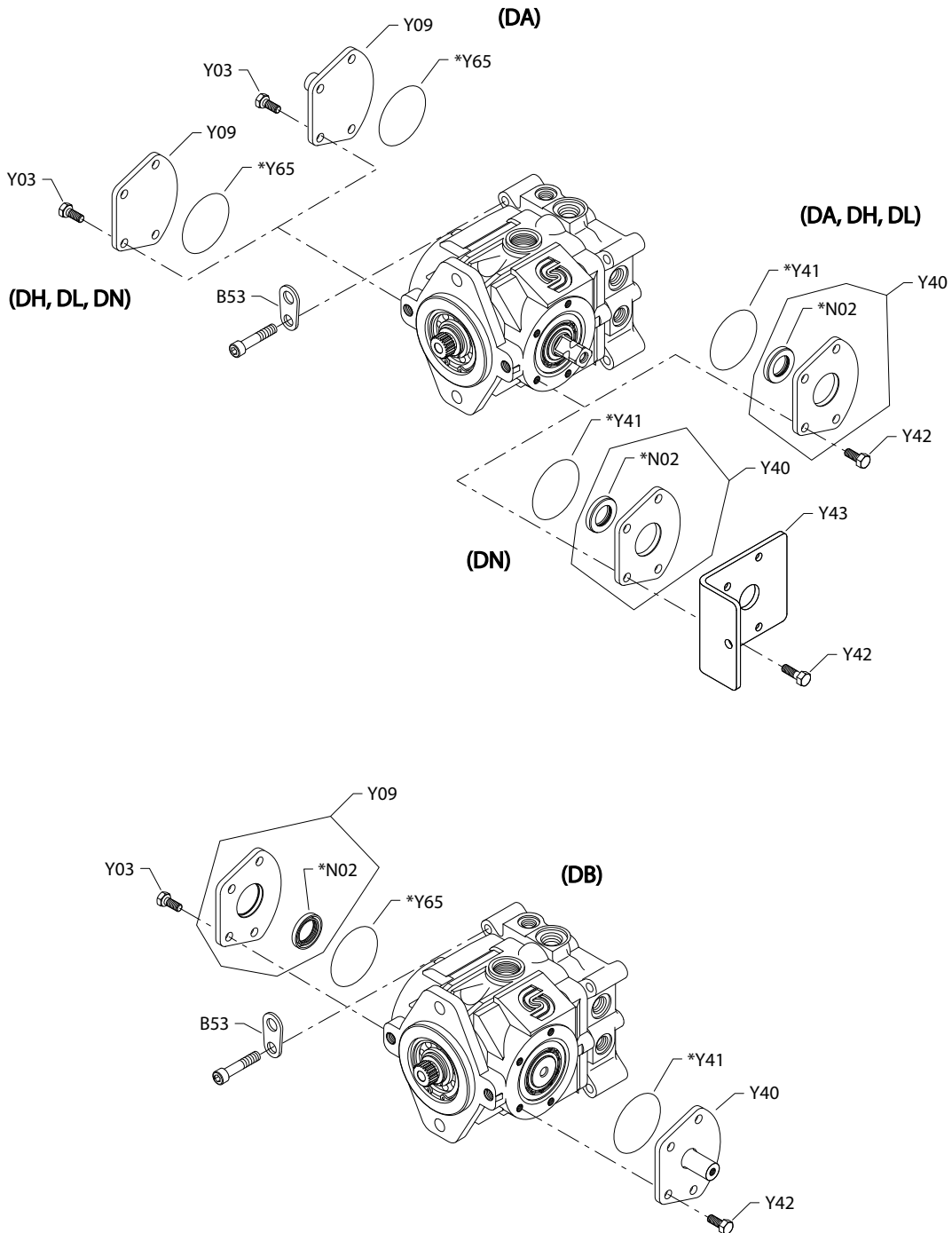
Order code: DH

| | | | | | |
|-----|-------|--|-----------------------|---|---|
| N02 | 10-42 | | 5000604 | Trunnion lip seal (SB-2000-026A on page 110) | 1 |
| Y03 | 10-42 | | 378083 (9007210-0804) | Screw, M8 x 16 | 4 |
| Y09 | 10-42 | | 4250027 | Trunnion cover | 1 |
| Y40 | 10-42 | | 4350732 | Trunnion cover assembly, on left side (SB-1999-040 on page 109) | 1 |
| Y41 | 10-42 | | 9004300-1460 | O-ring | 1 |
| Y42 | 10-42 | | 378083 (9007210-0804) | Screw, M8 x 16 | 4 |
| Y65 | 10-42 | | 9004300-1460 | O-ring | 1 |

[Parts continue to the next 2 pages.](#)

Variable displacement tandem pump

Parts configuration



* Included in overhaul seal kit Q210

Variable displacement tandem pump

Order code: DL

| Item | Date Begin | Date End | Part Number | Part Name | Qty. per Model/Kit |
|------|------------|----------|-----------------------|--|--------------------|
| B53 | 95-45 | | 8800565 | Lifting bracket | 1 |
| N02 | 95-45 | | 5000604 | Trunnion lip seal (SB-2000-026A on page 110) | 1 |
| Y03 | 95-45 | | 378083 (9007210-0804) | Screw, M8 x 16 | 4 |
| Y09 | 95-45 | | 4250027 | Trunnion cover | 1 |
| Y40 | 95-45 | | 4350732 | Trunnion cover assembly, on left side (SB-1999-040 on page 109) | 1 |
| Y41 | 95-45 | | 9004300-1460 | O-ring | 1 |
| Y42 | 95-45 | | 378083 (9007210-0804) | Screw, M8 x 16 | 4 |
| Y65 | 95-45 | | 9004300-1460 | O-ring | 1 |

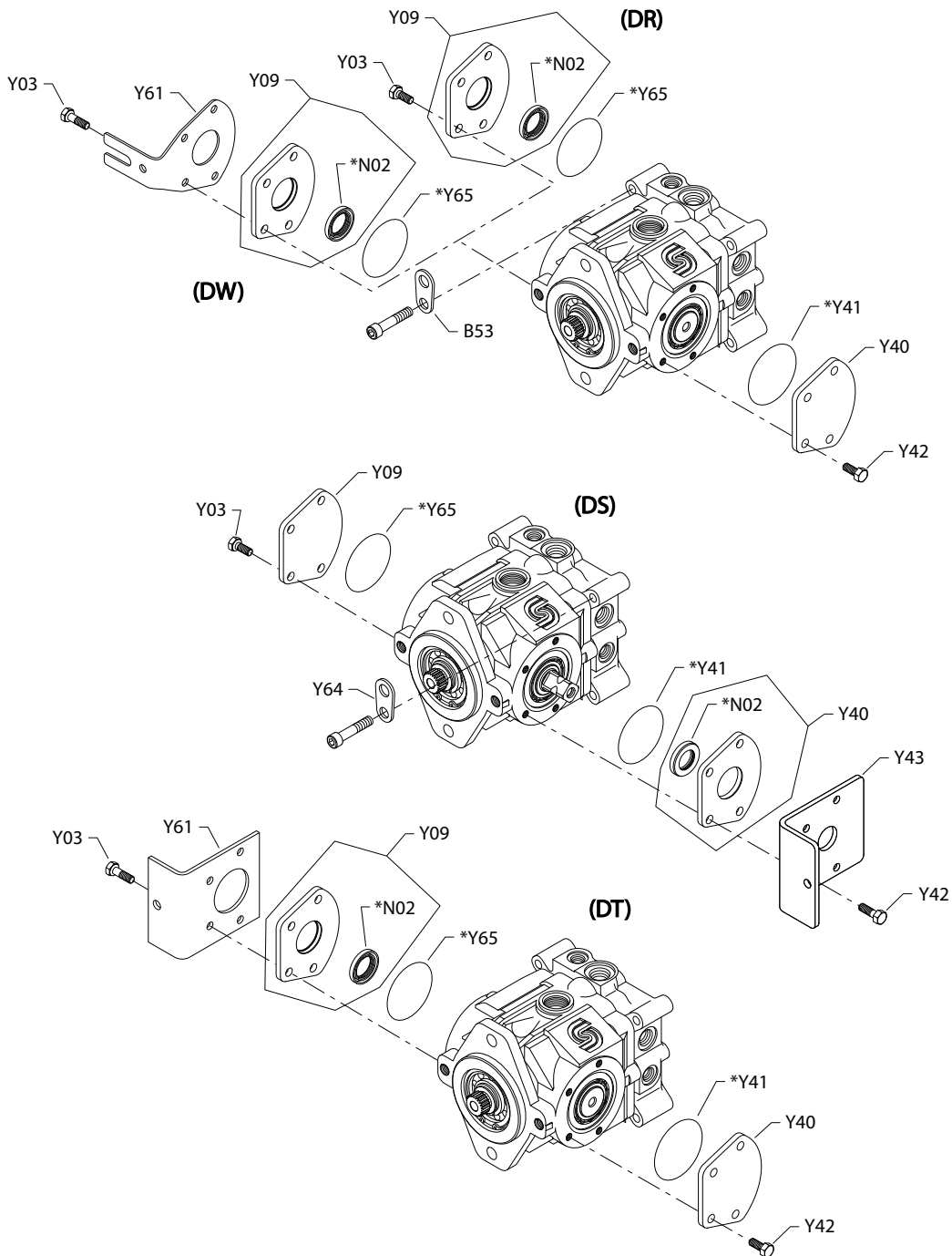
Order code: DN

| | | | | | |
|-----|-------|--|-----------------------|--|---|
| N02 | 98-24 | | 5000604 | Trunnion lip seal (SB-2000-026A on page 110) | 1 |
| Y03 | 98-24 | | 378083 (9007210-0804) | Screw, M8 x 16 | 4 |
| Y09 | 98-24 | | 4250027 | Trunnion cover | 1 |
| Y40 | 98-24 | | 4350732 | Trunnion cover assembly, on left side (SB-1999-040 on page 109) | 1 |
| Y41 | 98-24 | | 9004300-1460 | O-ring | 1 |
| Y42 | 98-24 | | 507205 | Screw, M8 x 20 | 4 |
| Y43 | 98-24 | | 4440414 | Guide bracket | 1 |
| Y65 | 98-24 | | 9004300-1460 | O-ring | 1 |

Variable displacement tandem pump

MPT035D DDC (rear pump) DR-DW

Parts configuration



* Included in overhaul seal kit Q210

Variable displacement tandem pump

Order code: DR

| Item | Date Begin | Date End | Part Number | Part Name | Qty. per Model/Kit |
|------|------------|----------|-----------------------|--|--------------------|
| B53 | 95-45 | | 8800565 | Lifting bracket | 1 |
| N02 | 95-45 | | 5000604 | Trunnion lip seal (SB-2000-026A on page 110) | 1 |
| Y03 | 95-45 | | 378083 (9007210-0804) | Screw, M8 x 16 | 4 |
| Y09 | 95-45 | | 4350732 | Trunnion cover assembly, on right side (SB-1999-040 on page 109) | 1 |
| Y40 | 95-45 | | 4250027 | Trunnion cover | 1 |
| Y41 | 95-45 | | 9004300-1460 | O-ring | 1 |
| Y42 | 95-45 | | 378083 (9007210-0804) | Screw, M8 x 16 | 4 |
| Y65 | 95-45 | | 9004300-1460 | O-ring | 1 |

Order code: DS

| | | | | | |
|-----|-------|--|-----------------------|---------------------------------------|---|
| N02 | 96-07 | | 5000604 | Trunnion lip seal | 1 |
| Y03 | 96-07 | | 378083 (9007210-0804) | Screw, M8 x 16 | 4 |
| Y09 | 96-07 | | 4250027 | Trunnion cover | 1 |
| Y40 | 96-07 | | 4350732 | Trunnion cover assembly, on left side | 1 |
| Y41 | 96-07 | | 9004300-1460 | O-ring | 1 |
| Y42 | 96-07 | | 507205 | Screw, M8 x 20 | 4 |
| Y43 | 96-07 | | 4440414 | Guide bracket | 1 |
| Y64 | 96-07 | | 8800565 | Lifting bracket | 1 |
| Y65 | 96-07 | | 9004300-1460 | O-ring | 1 |

Order code: DT

| | | | | | |
|-----|-------|--|-----------------------|---------------------------------------|---|
| N02 | 96-07 | | 5000604 | Trunnion lip seal | 1 |
| Y03 | 96-07 | | 507205 | Screw, M8 x 20 | 4 |
| Y09 | 96-07 | | 4350732 | Trunnion cover assembly, on left side | 1 |
| Y40 | 96-07 | | 4250027 | Trunnion cover | 1 |
| Y41 | 96-07 | | 9004300-1460 | O-ring | 1 |
| Y42 | 96-07 | | 378083 (9007210-0804) | Screw, M8 x 16 | 4 |
| Y61 | 98-24 | | 4440414 | Guide bracket | 1 |
| Y65 | 96-07 | | 9004300-1460 | O-ring | 1 |

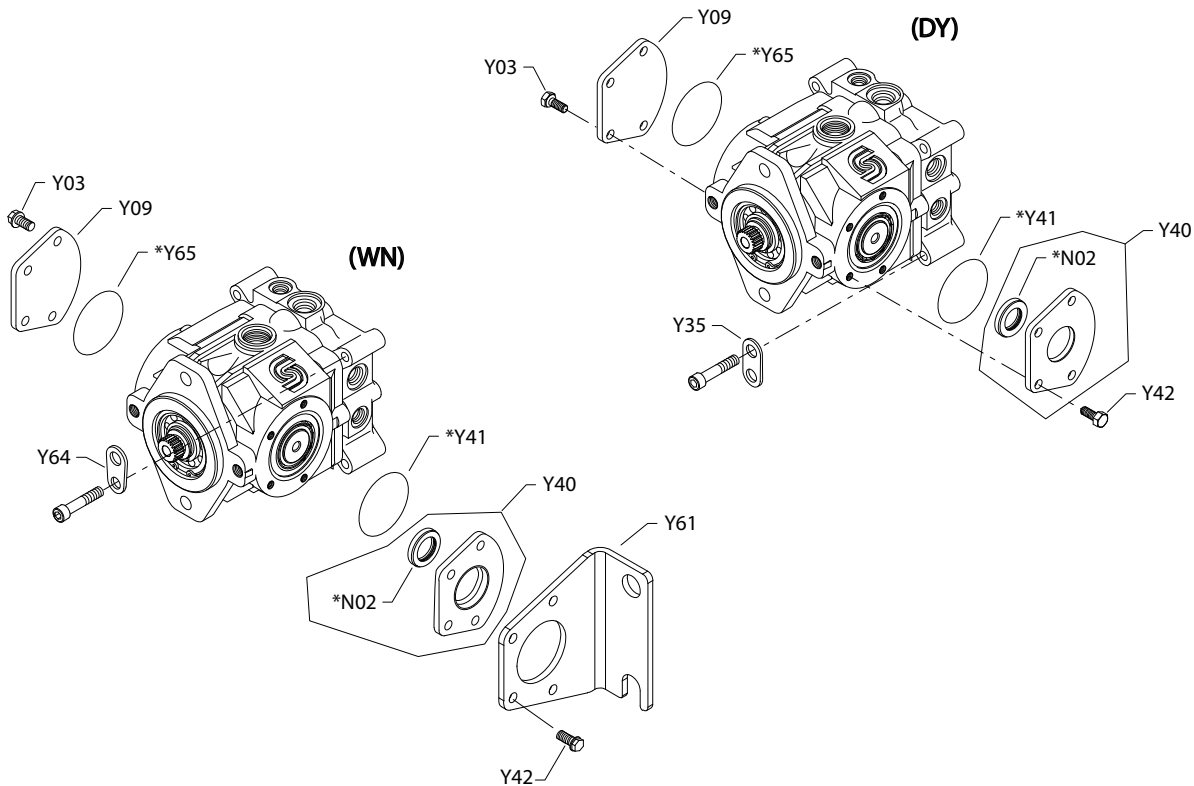
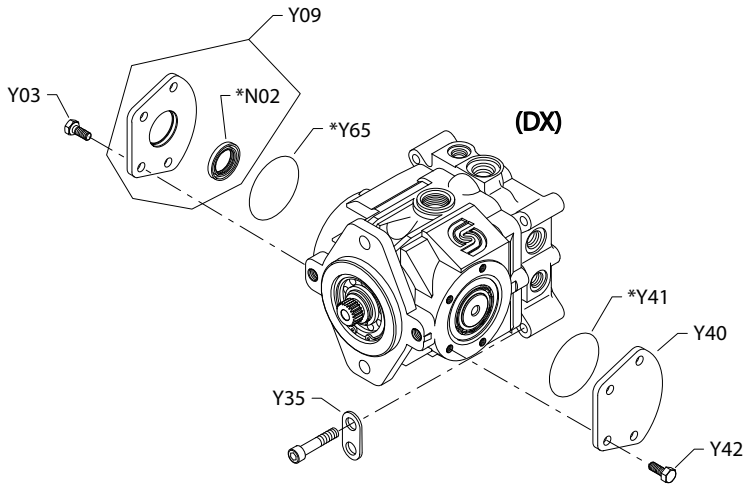
Order code: DW

| | | | | | |
|-----|-------|--|-----------------------|---------------------------------------|---|
| B53 | 96-07 | | 8800565 | Lifting bracket | 1 |
| N02 | 96-07 | | 5000604 | Trunnion lip seal | 1 |
| Y03 | 96-07 | | 507205 | Screw, M8 x 20 | 4 |
| Y09 | 96-07 | | 4350732 | Trunnion cover assembly, on left side | 1 |
| Y40 | 96-07 | | 4250027 | Trunnion cover | 1 |
| Y41 | 96-07 | | 9004300-1460 | O-ring | 1 |
| Y42 | 96-07 | | 378083 (9007210-0804) | Screw, M8 x 16 | 4 |
| Y61 | 98-24 | | 4350761 | Trunnion bracket | 1 |
| Y03 | 96-07 | | 507205 | Screw, M8 x 20 | 4 |
| Y65 | 96-07 | | 9004300-1460 | O-ring | 1 |

Variable displacement tandem pump

MPT035D DDC (rear pump) DX-WN

Parts configuration



* Included in overhaul seal kit Q210

Variable displacement tandem pump

Order code: DX

| Item | Date Begin | Date End | Part Number | Part Name | Qty. per Model/Kit |
|------|------------|----------|-----------------------|---|--------------------|
| N02 | 99-22 | | 5000604 | Trunnion lip seal (SB-2000-026A on page 110) | 1 |
| Y03 | 99-22 | | 378083 (9007210-0804) | Screw, M8 x 16 | 4 |
| Y09 | 99-22 | | 4350732 | Trunnion cover assembly, on right side | 1 |
| Y35 | 99-22 | | 8800565 | Lifting bracket | 1 |
| Y40 | 99-22 | | 4250027 | Trunnion cover | 1 |
| Y41 | 99-22 | | 9004300-1460 | O-ring | 1 |
| Y42 | 99-22 | | 378083 (9007210-0804) | Screw, M8 x 16 | 4 |
| Y65 | 99-22 | | 9004300-1460 | O-ring | 1 |

Order code: DY

| | | | | | |
|-----|-------|--|-----------------------|--|---|
| N02 | 96-28 | | 5000604 | Trunnion lip seal (SB-2000-026A on page 110) | 1 |
| Y03 | 96-28 | | 378083 (9007210-0804) | Screw, M8 x 16 | 4 |
| Y09 | 96-28 | | 4250027 | Trunnion cover | 1 |
| Y35 | 96-28 | | 8800565 | Lifting bracket | 1 |
| Y40 | 96-28 | | 4350732 | Trunnion cover assembly, on left side (SB-1999-040 on page 109) | 1 |
| Y41 | 96-28 | | 9004300-1460 | O-ring | 1 |
| Y42 | 96-28 | | 378083 (9007210-0804) | Screw, M8 x 16 | 4 |
| Y65 | 96-28 | | 9004300-1460 | O-ring | 1 |

Order code: WN

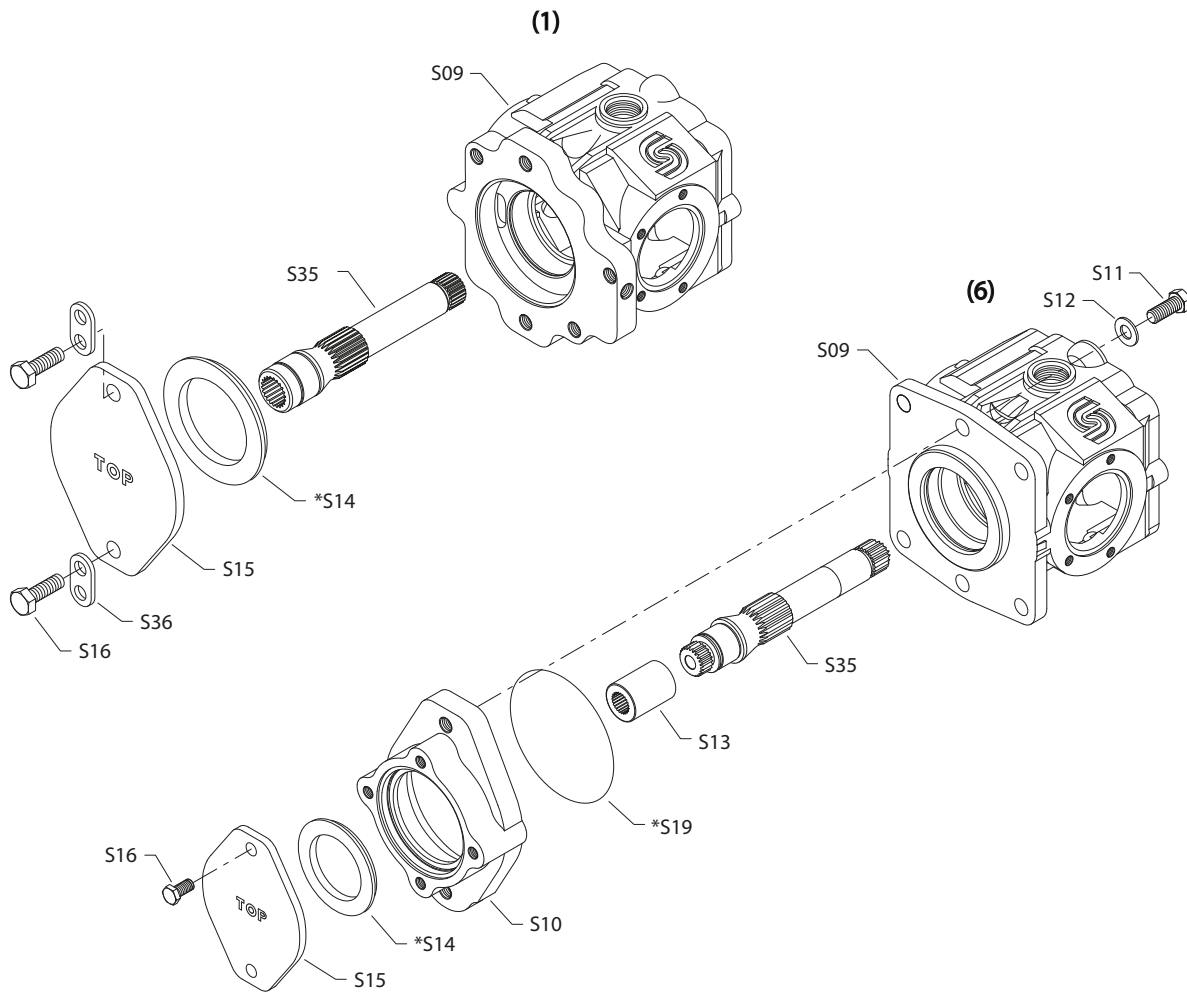
| | | | | | |
|-----|-------|--|-----------------------|---------------------------------------|---|
| N02 | 96-07 | | 5000604 | Trunnion lip seal | 1 |
| Y03 | 96-07 | | 378083 (9007210-0804) | Screw, M8 x 16 | 4 |
| Y09 | 96-07 | | 4250027 | Trunnion cover | 1 |
| Y40 | 96-07 | | 4350732 | Trunnion cover assembly, on left side | 1 |
| Y41 | 96-07 | | 9004300-1460 | O-ring | 1 |
| Y42 | 96-07 | | 507205 | Screw, M8 x 20 | 4 |
| Y61 | 96-07 | | 11183943 | Bracket | 1 |
| Y64 | 96-07 | | 8800565 | Lifting bracket | 1 |
| Y65 | 96-07 | | 9004300-1460 | O-ring | 1 |

Variable displacement tandem pump

Auxiliary mounting pad

MPT035D aux mounting pad 1-6

Parts configuration



* Included in overhaul seal kit Q210

Variable displacement tandem pump

Order code: 1

| Item | Date Begin | Date End | Part Number | Part Name | Qty. per Model/Kit |
|------|------------|----------|--------------|-----------------|--------------------|
| S09 | 01-20 | | 4440421 | Housing | 1 |
| S14 | 01-20 | | 8801061 | B pad seal | 1 |
| S15 | 01-20 | | 8801059 | Cover plate | 1 |
| S16 | 01-20 | | 9007200-5022 | Screw | 2 |
| S35 | 01-20 | | 4440194 | Shaft, rear | 1 |
| S36 | 01-20 | | 9801000 | Lifting bracket | 2 |

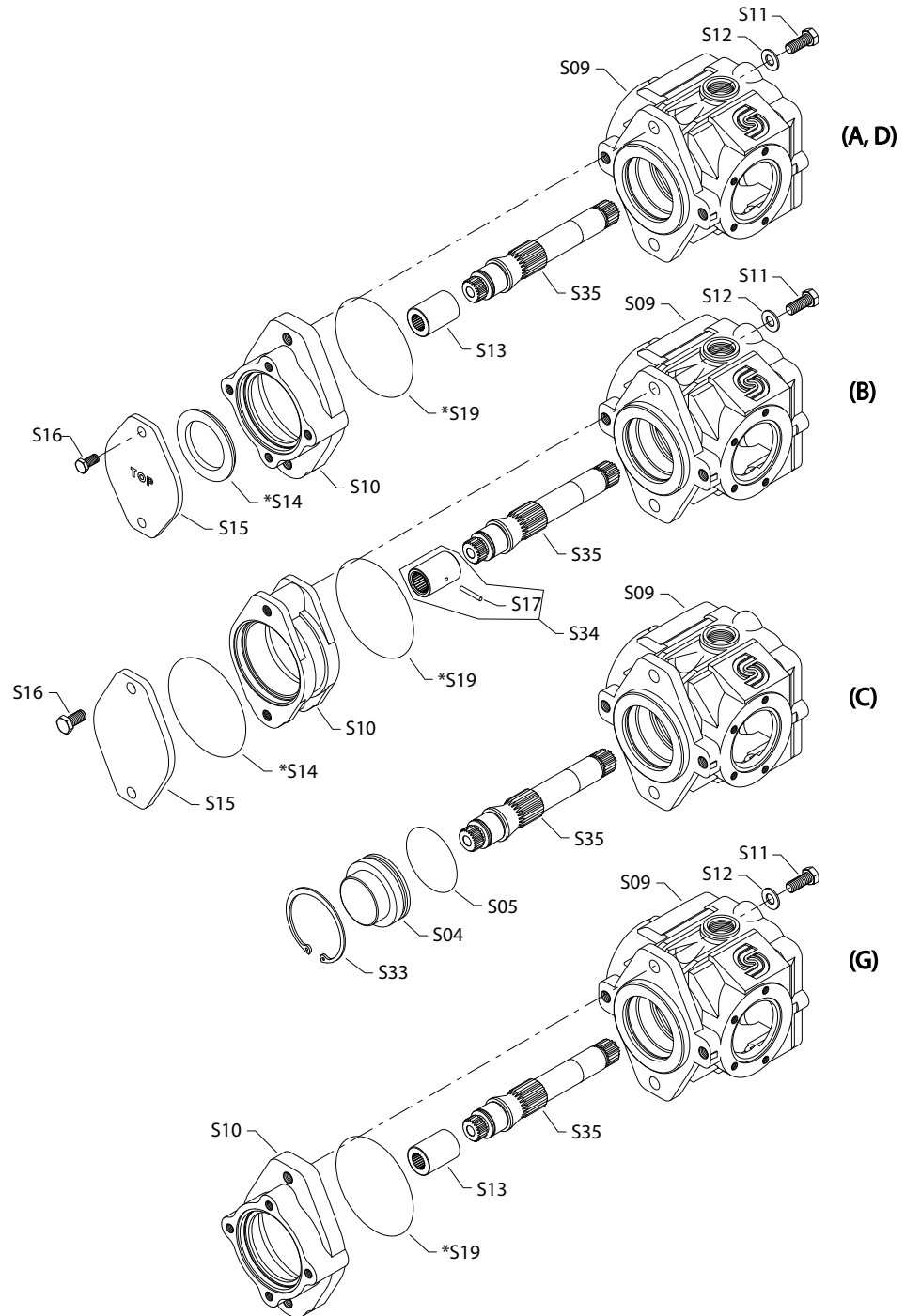
Order code: 6

| | | | | | |
|-----|-------|--|--------------|--------------------------|---|
| S09 | 03-18 | | 4350824 | Housing | 1 |
| S10 | 03-18 | | 4800161 | A flange adapter | 1 |
| S11 | 03-18 | | 9007200-5022 | Screw | 2 |
| S12 | 03-18 | | 9009600-5391 | Washer | 2 |
| S13 | 03-18 | | 4350113 | Coupling, 9-tooth spline | 1 |
| S14 | 03-18 | | 4800482 | A pad seal | 1 |
| S15 | 03-18 | | 4460586 | Cover plate | 1 |
| S16 | 03-18 | | 9007200-3716 | Screw | 2 |
| S19 | 03-18 | | 9004100-1550 | O-ring | 1 |
| S35 | 03-18 | | 4350426 | Shaft, rear | 1 |

Variable displacement tandem pump

MPT035D aux mounting pad A-G

Parts configuration



* Included in overhaul seal kit Q210

Variable displacement tandem pump

Order code: A

| Item | Date Begin | Date End | Part Number | Part Name | Qty. per Model/Kit |
|------|------------|----------|--------------|--------------------------|--------------------|
| S09 | 95-45 | | 4350350 | Housing | 1 |
| S10 | 95-45 | | 4800161 | A flange adapter | 1 |
| S11 | 95-45 | | 9007200-5022 | Screw | 2 |
| S12 | 95-45 | | 9009600-5391 | Washer | 2 |
| S13 | 95-45 | | 4350113 | Coupling, 9-tooth spline | 1 |
| S14 | 95-45 | | 4800482 | A pad seal | 1 |
| S15 | 95-45 | | 4460586 | Cover plate | 1 |
| S16 | 95-45 | | 9007200-3716 | Screw | 2 |
| S19 | 95-45 | | 9004100-1550 | O-ring | 1 |
| S35 | 95-45 | | 4350426 | Shaft, rear | 1 |

Order code: B

| | | | | | |
|-----|-------|-------|--------------|------------------------------------|---|
| S09 | 95-45 | | 4350350 | Housing | 1 |
| S10 | 95-45 | | 4800162 | B flange adapter | 1 |
| S11 | 95-45 | | 9007200-5022 | Screw, with locking compound | 2 |
| S12 | 95-45 | | 9009600-5391 | Washer | 2 |
| S14 | 05-22 | | 8801061 | B pad seal | 1 |
| S14 | 95-45 | 05-21 | 9004100-1550 | O-ring | 1 |
| S15 | 05-22 | | 8801059 | Cover plate | 1 |
| S15 | 95-45 | 05-21 | 4460370 | Cover plate | 1 |
| S16 | 95-45 | | 9007200-5022 | Screw, with locking compound | 2 |
| S17 | 95-45 | | 9004700-1222 | Pin | 1 |
| S19 | 95-45 | | 9004100-1550 | O-ring | 1 |
| S34 | 95-45 | | 4350691 | Coupling assembly, 13-tooth spline | 1 |
| S35 | 95-45 | | 4350426 | Shaft, rear | 1 |

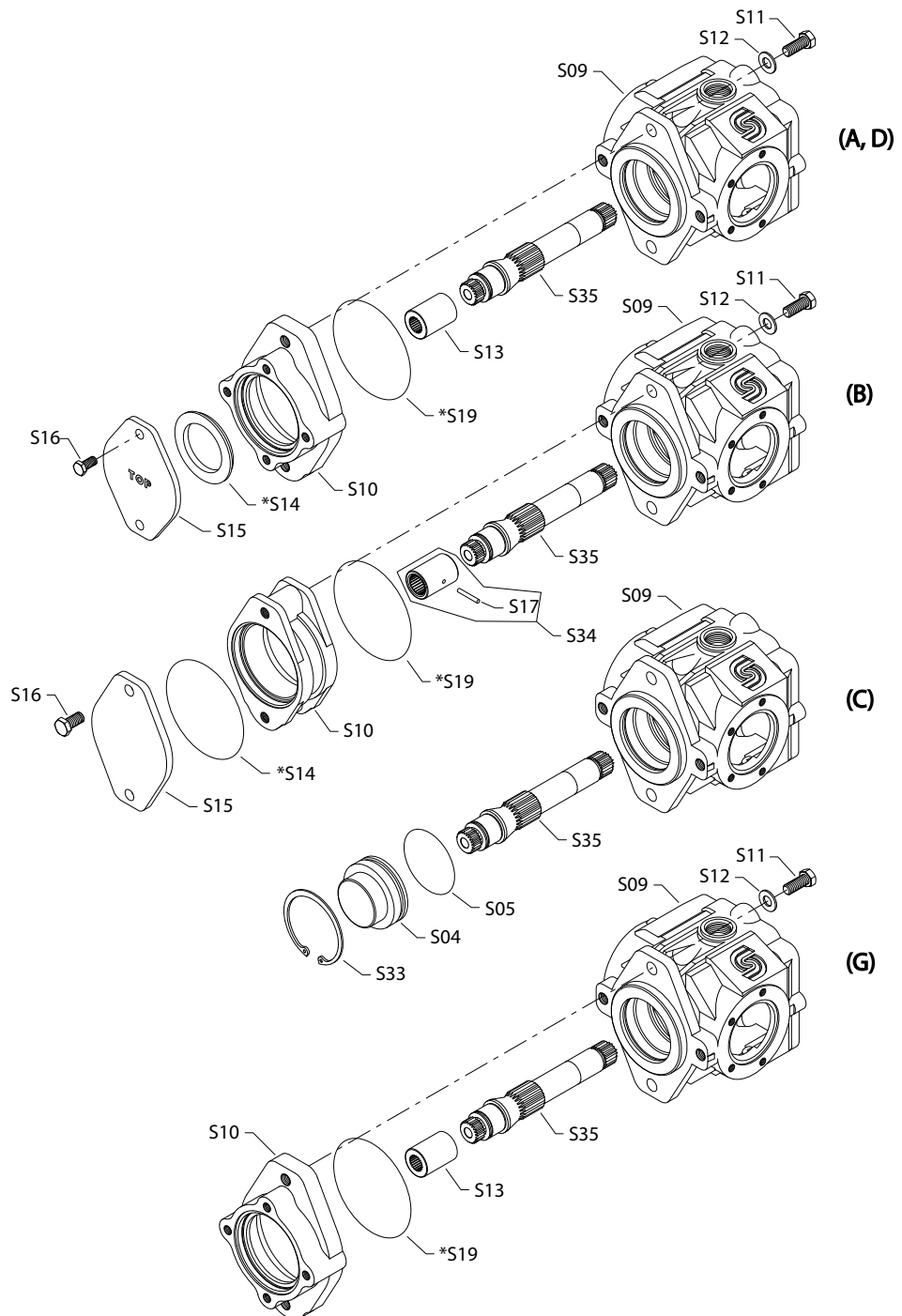
Order code: C

| | | | | | |
|-----|-------|--|--------------|----------------|---|
| S04 | 95-45 | | 4350689 | Cover plate | 1 |
| S05 | 95-45 | | 9004100-1460 | O-ring | 1 |
| S09 | 95-45 | | 4350350 | Housing | 1 |
| S33 | 95-45 | | 9006200-0281 | Retaining ring | 1 |
| S35 | 95-45 | | 4350426 | Shaft, rear | 1 |

[Parts continue to the next 2 pages.](#)

Variable displacement tandem pump

Parts configuration



* Included in overhaul seal kit Q210

Variable displacement tandem pump

Order code: D

| Item | Date Begin | Date End | Part Number | Part Name | Qty. per Model/Kit |
|------|------------|----------|--------------|------------------------------|--------------------|
| S09 | 95-45 | | 4350350 | Housing | 1 |
| S10 | 95-45 | | 4800183 | A flange adapter | 1 |
| S11 | 95-45 | | 9007200-5022 | Screw, with locking compound | 2 |
| S12 | 95-45 | | 9009600-5391 | Washer | 2 |
| S13 | 95-45 | | 4350189 | Coupling, 11-tooth spline | 1 |
| S14 | 95-45 | | 4800482 | A pad seal | 1 |
| S15 | 95-45 | | 4460586 | Cover plate | 1 |
| S16 | 95-45 | | 9007200-3716 | Screw | 2 |
| S19 | 95-45 | | 9004100-1550 | O-ring | 1 |
| S35 | 95-45 | | 4350426 | Shaft, rear | 1 |

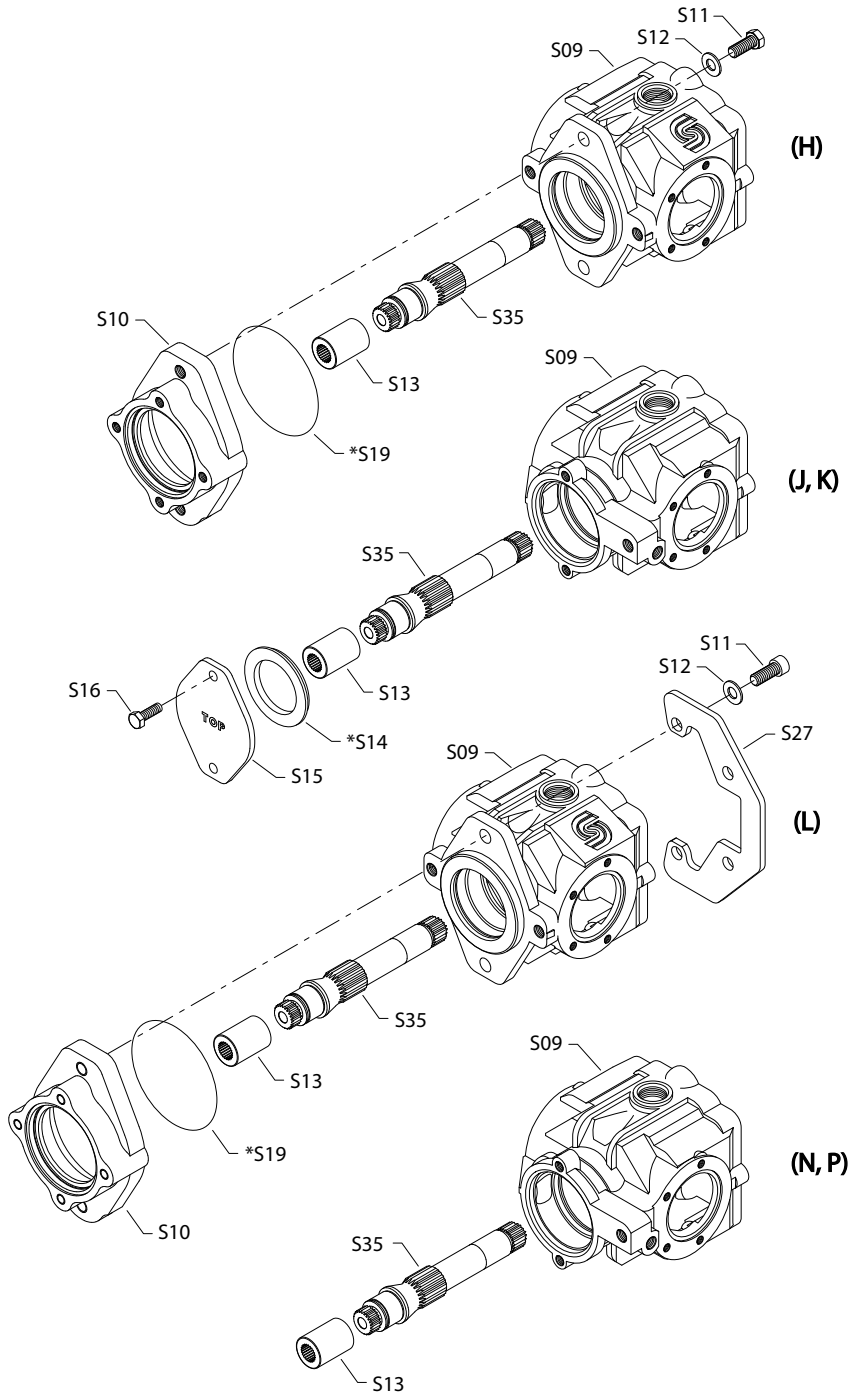
Order code: G

| | | | | | |
|-----|-------|--|--------------|------------------------------|---|
| S09 | 97-06 | | 4350350 | Housing | 1 |
| S10 | 97-06 | | 4800183 | A flange adapter | 1 |
| S11 | 97-06 | | 9007200-5022 | Screw, with locking compound | 2 |
| S12 | 97-06 | | 9009600-5391 | Washer | 2 |
| S13 | 97-06 | | 4350189 | Coupling, 11-tooth spline | 1 |
| S19 | 97-06 | | 9004100-1550 | O-ring | 1 |
| S35 | 97-06 | | 4350426 | Shaft, rear | 1 |

Variable displacement tandem pump

S40 MPT aux mounting H-P

Parts configuration



* Included in overhaul seal kit Q210

Variable displacement tandem pump

Order code: H

| Item | Date Begin | Date End | Part Number | Part Name | Qty. per Model/Kit |
|------|------------|----------|--------------|------------------------------|--------------------|
| S09 | 97-06 | | 4350350 | Housing | 1 |
| S10 | 97-06 | | 4800161 | A flange adapter | 1 |
| S11 | 97-06 | | 9007200-5022 | Screw, with locking compound | 2 |
| S12 | 97-06 | | 9009600-5391 | Washer | 2 |
| S13 | 97-06 | | 4350113 | Coupling, 9-tooth spline | 1 |
| S19 | 97-06 | | 9004100-1550 | O-ring | 1 |
| S35 | 97-06 | | 4350426 | Shaft, rear | 1 |

Order code: J

| | | | | | |
|-----|-------|--|--------------|--------------------------|---|
| S09 | 96-22 | | 4350382 | Housing | 1 |
| S13 | 96-22 | | 4350113 | Coupling, 9-tooth spline | 1 |
| S14 | 96-22 | | 4800482 | A pad seal | 1 |
| S15 | 96-22 | | 4460586 | Cover plate | 1 |
| S16 | 96-22 | | 9007200-3716 | Screw | 2 |
| S35 | 96-22 | | 4350426 | Shaft, rear | 1 |

Order code: K

| | | | | | |
|-----|-------|--|--------------|---------------------------|---|
| S09 | 96-22 | | 4350382 | Housing | 1 |
| S13 | 96-22 | | 4350189 | Coupling, 11-tooth spline | 1 |
| S14 | 96-22 | | 4800482 | A pad seal | 1 |
| S15 | 96-22 | | 4460586 | Cover plate | 1 |
| S16 | 96-22 | | 9007200-3716 | Screw | 2 |
| S35 | 96-22 | | 4350426 | Shaft, rear | 1 |

Order code: L

| | | | | | |
|-----|-------|--|------------------|---------------------------|---|
| S09 | 97-13 | | 4350350 | Housing | 1 |
| S10 | 97-13 | | 4800183 | A flange adapter | 1 |
| S11 | 97-13 | | 9007300-5024 | Screw | 2 |
| S12 | 97-13 | | 9009600-5391 | Washer | 2 |
| S13 | 97-13 | | 762534 (4350189) | Coupling, 11-tooth spline | 1 |
| S19 | 97-13 | | 9004100-1550 | O-ring | 1 |
| S27 | 97-13 | | 6713377 | Mounting bracket | 1 |
| S35 | 97-13 | | 4350426 | Shaft, rear | 1 |

Order code: N

| | | | | | |
|-----|-------|--|---------|--------------------------|---|
| S09 | 95-45 | | 4350382 | Housing | 1 |
| S13 | 95-45 | | 4350113 | Coupling, 9-tooth spline | 1 |
| S35 | 95-45 | | 4350426 | Shaft, rear | 1 |

Order code: P

| | | | | | |
|-----|-------|--|---------|---------------------------|---|
| S09 | 95-45 | | 4350382 | Housing | 1 |
| S13 | 95-45 | | 4350189 | Coupling, 11-tooth spline | 1 |
| S35 | 95-45 | | 4350426 | Shaft, rear | 1 |

Variable displacement tandem pump

S40 MPT overhaul seal kit

| Item | Date Begin | Date End | Part Number | Part Name | Qty. per Model/Kit |
|------|------------|----------|-----------------------|---|--------------------|
| Q210 | 95-45 | | 11181821 | Overhaul seal kit, MPT035/44D | 1 |
| B02 | 95-45 | | 5000689 | Lip seal (SB-2003-018 on page 113) | 1 |
| B37 | 95-45 | | 4350145 | End cap gasket | 1 |
| B80 | 95-45 | | 4350145 | End cap gasket | 1 |
| G06 | 95-45 | | 5000352 | O-ring, .139 x 1.609, nitrile, 90D | 1 |
| G06 | 95-45 | | 9004100-1310 | O-ring, .103 x 1.674, nitrile, 70D | 1 |
| G07 | 95-45 | | 9004100-1530 | O-ring, .103 x 3.487, nitrile, 70D | 1 |
| G07 | 95-45 | | 9004100-2370 | O-ring, .139 x 3.359, nitrile, 70D | 1 |
| H01A | 95-45 | | 001149 (9004201-6200) | O-ring, .097 x .755, nitrile, 90D | 1 |
| J11 | 95-45 | | 511852 (9004100-1140) | O-ring, .103 x .612, nitrile, 70D | 1 |
| J12 | 95-45 | | 511853 (9004100-1180) | O-ring, .103 x .862, nitrile, 70D | 1 |
| M022 | 95-45 | | 001131 (9004201-5000) | O-ring, .087 x .644, nitrile, 90D | 2 |
| M023 | 95-45 | | 9004100-2110 | O-ring, .139 x .796, nitrile, 70D | 2 |
| N02 | 95-45 | | 5000604 | Trunnion lip seal | 2 |
| N04 | 95-45 | | 9004300-1460 | O-ring, rectangular | 1 |
| N41 | 95-45 | | 9004300-1460 | O-ring, rectangular | 1 |
| S05 | 95-45 | | 9004100-1460 | O-ring, .103 x 2.612, nitrile, 70D | 1 |
| S14 | 95-45 | | 5000373 | O-ring, .103 x 3.237, nitrile, 90D | 1 |
| S14 | 95-45 | | 9004100-1550 | O-ring, .103 x 3.987, nitrile, 70D | 1 |
| S19 | 95-45 | | 9004100-1550 | O-ring, .103 x 3.987, nitrile, 70D | 1 |
| Y41 | 95-45 | | 9004300-1460 | O-ring, rectangular | 1 |
| Y65 | 95-45 | | 9004300-1460 | O-ring, rectangular | 1 |

Service bulletin

SB-1996-014

Products affected

Series 40: M25, M35, M44 pumps and tandem pumps

Subject

Redesign of the retention method in check valve assemblies

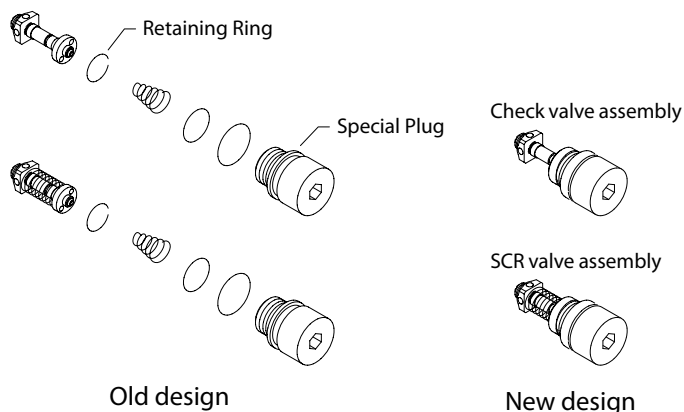
Description

As a product improvement, Danfoss changed the retention method in the check valve assembly, and SCR valve assembly. The old design allowed the check valve and SCR valve assembly to be disassembled. That retention method had the potential to hang up the valves on the retaining ring.

In the new design, the retaining ring will not hang up on the valve; however, it does not allow the assembly to be taken apart.

All new repairs, conversions, or purchases of a check valve or SCR valve require the entire assembly be exchanged.

The new and old assemblies are totally interchangeable. The special plug part number 4350182, and the internal retaining ring part number 4350183, are obsolete. They are no longer available as service parts.



Models affected

All series 40: M25, M35, and M44 single and tandem pumps

Serial numbers

This change became effective at serial number 96-40-xxxxx

Part numbers affected

| Description | Old part number | New part number | Relief valve set point |
|-----------------------------|-----------------|-----------------|------------------------|
| Poppet-check valve assembly | 3103348 | 4350634 | N/A |
| SCR valve assembly | 3103375-0140 | 4350635 | 140 bar [2030 psi] |
| SCR valve assembly | 3103375-0175 | 4350643 | 175 bar [2528 psi] |
| SCR valve assembly | 3103375-0190 | 4350642 | 190 bar [2755 psi] |
| SCR valve assembly | 3103375-0210 | 4350641 | 210 bar [3045 psi] |

Service bulletin

| Description | Old part number | New part number | Relief valve set point |
|--------------------|-----------------|-----------------|------------------------|
| SCR valve assembly | 3103375-230 | 4350640 | 230 bar [3335 psi] |
| SCR valve assembly | 3103375-250 | 4350639 | 250 bar [3625 psi] |
| SCR valve assembly | 3103375-260 | 4350644 | 260 bar [3770 psi] |
| SCR valve assembly | 3103375-0280 | 4350638 | 280 bar [4060 psi] |
| SCR valve assembly | 3103375-0300 | 4350637 | 300 bar [4350 psi] |
| SCR valve assembly | 3103375-0325 | 4350645 | 325 bar [4712 psi] |
| SCR valve assembly | 3103375-0345 | 4350636 | 345 bar [5000 psi] |
| SCR valve assembly | 3103375-0415 | 4350646 | 415 bar [6020 psi] |

Parts disposition

Interchangeable

Service bulletin**SB-1998-092****Products affected**

Series 40: M35 and M44 variable motors, variable pumps, tandem pumps

Subject

Housing to end cap dowel pin change

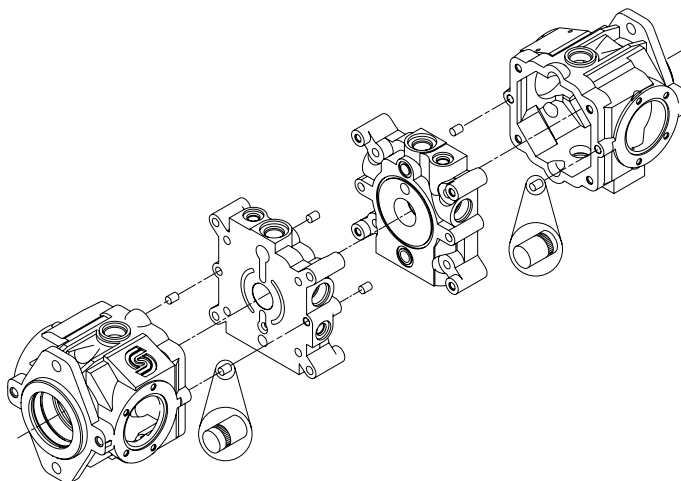
Description

Danfoss introduced a design improvement to the dowel pins that align the variable housing and end cap for the Series 40: M35 and M44 variable motors, variable pumps, and tandem variable pumps.

Each variable motor and variable pump assembly uses two dowel pins to align the end cap to the pump housing. The assembly is designed so the dowel pin is installed in the variable housing before the end cap is positioned on the assembly. The tandem variable pump uses the same dowel pin to align the two halves of the tandem pump assembly. Previously, a slip fit existed between the holes in the variable housing and the pin.

The design of the dowel pin changed to incorporate a knurled section on the pin. The fit between the dowel pin and the pilot hole in the variable housing changed to a slight interference fit. This change improves the serviceability of the motor and pump assembly, by reducing the potential for the pins to dislodge from the housing when servicing the product.

To help identify this change, we have a new dowel pin part number. The new pin is completely interchangeable with the old pin. The old pin remains available as a service item, since it is in a variety of Danfoss applications.

**Models affected**

M35-4xxx, 4354xxx and 4444xxx variable displacement motors

M35-2xxx, 4352xxx and 4442xxx variable displacement pumps

M91-35xxx, 4355xxx and 4445xxx tandem pumps

Serial numbers

This change became effective at serial number A-99-10-xxxxx

Service bulletin**Part numbers affected**

| Old dowel pin | New dowel pin |
|---------------|---------------|
| 5000539 | 9004800-3708 |

Parts disposition

- Interchangeable
- Use parts in stock

Service bulletin

SB-1999-040

Products affected

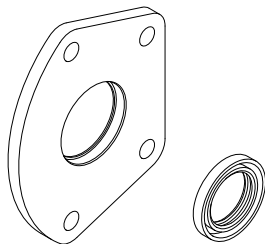
Series 40: M25, M35 and M44 pumps

Subject

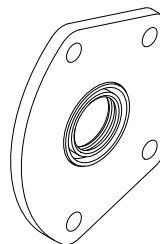
Trunnion cover/seals

Description

As a quality improvement, the trunnion seals are now pre-assembled into the trunnion cover for all Series 40 variable and tandem direct displacement pumps. The trunnion cover/seal assembly and the trunnion seal is available as a service part. The trunnion cover is no longer available as a service part.



Old style
trunnion cover
service parts



New style
trunnion cover
service part

Models affected

Service parts for all Series 40: M25, M35 and M44 pumps

Part numbers affected

| Item description | Part number |
|-------------------------|---|
| Trunnion cover assembly | 4350732 |
| Lip seal | 5000465 |
| Trunnion cover | 4250025 (no longer available as a service part) |

Parts disposition

Interchangeable
 Use parts in stock

Service bulletin

SB-2000-026A

Products affected

Series 40: M25, M35, and M44 pumps and variable motors

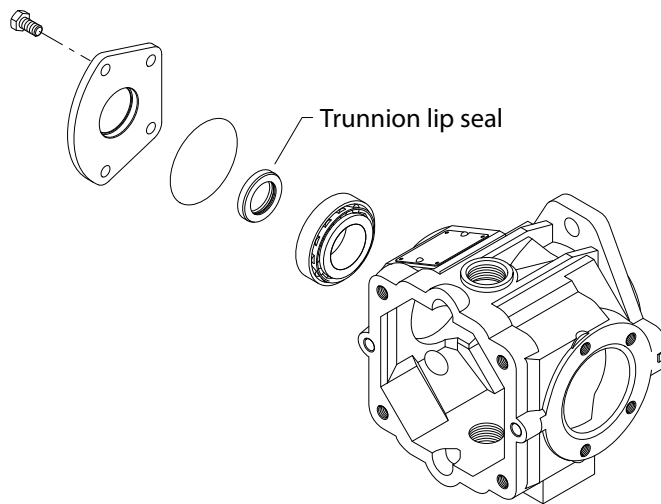
Subject

Trunnion seal change

Description

As a product improvement, Danfoss made a design change to the trunnion seal on Series 40: M25, M35, and M44 pumps and variable motors. The dust lip is extended, allowing more installation concentric tolerance, and more forgiving during installation. Now there will be fewer low-hour trunnion seal failures caused by improper installation.

The new seal is interchangeable with the old seal. Danfoss recommends that the seal be replaced when servicing these units. The old seal (5000465) remains available as it is in other Danfoss product lines.



Models affected

Series 40: M25, M35 and M44 pumps and variable motors

Serial numbers

This change became effective at serial number K-00-46-xxxxx

Part numbers affected

| Description | Old number | New number |
|---------------|------------|------------|
| Trunnion seal | 5000465 | 5000604 |

Parts disposition

Interchangeable

Service bulletin

SB-2002-021

Products affected

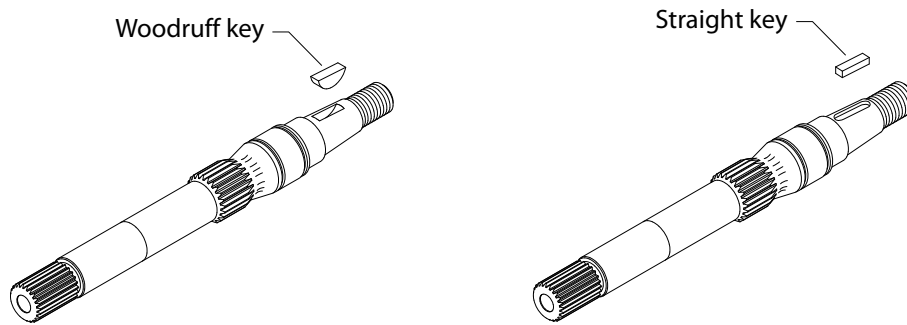
Series 40: M25, M35, M44, M46, and LV pumps and motors

Subject

Change from woodruff key to straight key on tapered shaft

Description

Danfoss uses a straight key rather than a woodruff key in tapered shafts on all Series 40 pumps and motors. Tapered shafts requiring a woodruff key are obsolete. The woodruff key, however, remains available for service requirements. Customers requiring a replacement shaft need the straight key.



Models affected

Series 40: M25, M35, M44, M46, and LV pumps and motors using tapered shafts

Serial numbers

This change became effective during the 2002 build year.

Part numbers affected

| Old part number | New part number | Description |
|-----------------|-----------------|------------------------------|
| 9003310-2514 | - | Key-woodruff, .248 x .875 |
| - | 5000664 | Key-square, .250 x .750 |
| 4250012 | 4250164 | Shaft, tapered |
| 4254500 | 4254568 | Shaft, tapered |
| 4350390 | 4350805 | Shaft, tapered |
| 4350432 | 4350791 | Shaft, tapered |
| 4460309 | 4461308 | Shaft, tapered/9t. aux. |
| 4461290 | 4461302 | Shaft, tapered/13t. aux. |
| 4460577 | 4461309 | Shaft, tapered |
| 4460804 | 4461306 | Shaft, 13-tooth/tapered aux. |
| 4460772 | 4461307 | Shaft, tapered |

Service bulletin

Parts disposition

- Interchangeable if shaft and key are both replaced
- Use parts in stock
- Scrap new parts and apply for credit

Service bulletin

SB-2003-018

Products affected

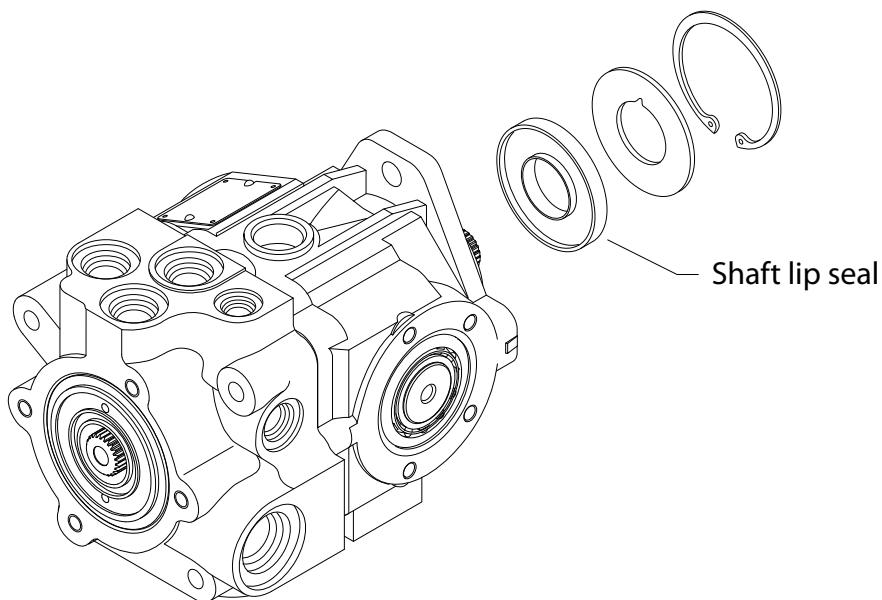
M35 and M44 pumps and variable motors

Subject

Shaft seal change

Description

As a product improvement, Danfoss has improved the design of the shaft lip seal. The new seal is a single piece design instead of a crimped two-piece design.



Models affected

M35 and M44 pumps and variable motors

Serial numbers

This change became effective at serial number K-03-49-xxxxx

Part numbers affected

| Item description | Old part number | New part number |
|------------------|-----------------|-----------------|
| Lip seal | 9008000-0121 | 5000689 |

Parts disposition

Interchangeable

Service bulletin

SB-2010-037

Products affected

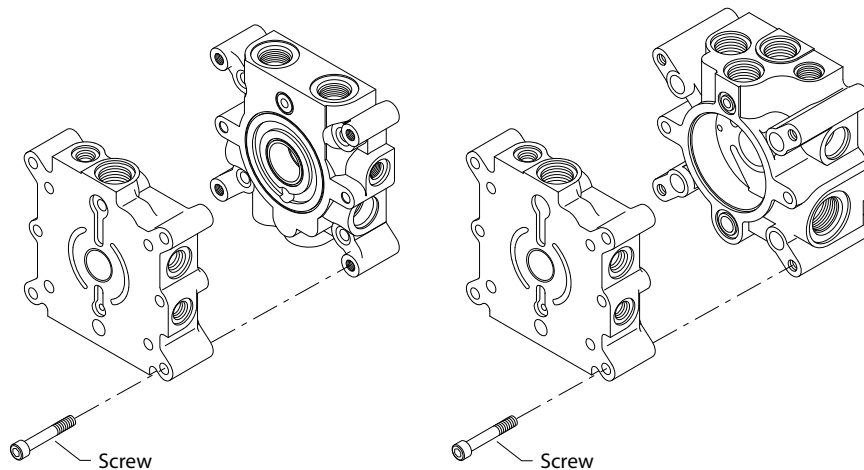
Series 40 M35 and M44 tandem pumps

Subject

End cap tap depth and part number changes

Description

As a product improvement Danfoss is changing the tap depth of the end cap to end cap mounting holes. In the case where you have to replace the end cap you will need to order the appropriate one as per the attached cross reference list because the old end cap design will no longer be produced. The new design has deeper tapped mounting holes.



Models affected

All Series 40 M35 and M44 tandem pumps

Serial numbers

This change became effective at serial number A11-13-xxxxx (1 April 2011)

Part numbers affected

| Item description | Old part number | New part number |
|------------------|-----------------|-----------------|
| End cap | 4440223 | 11083594 |
| End cap | 4350256 | 11089077 |
| End cap | 4350406 | 11083596 |
| Screw | 9007314-1014 | 5000122 |

When using an old end cap, the old screw must be used. When using a new end cap, either screw may be used.

Parts disposition

Interchangeable: old to new

Use parts in stock

Service bulletin

Service bulletin

SB-2013-002

Products affected

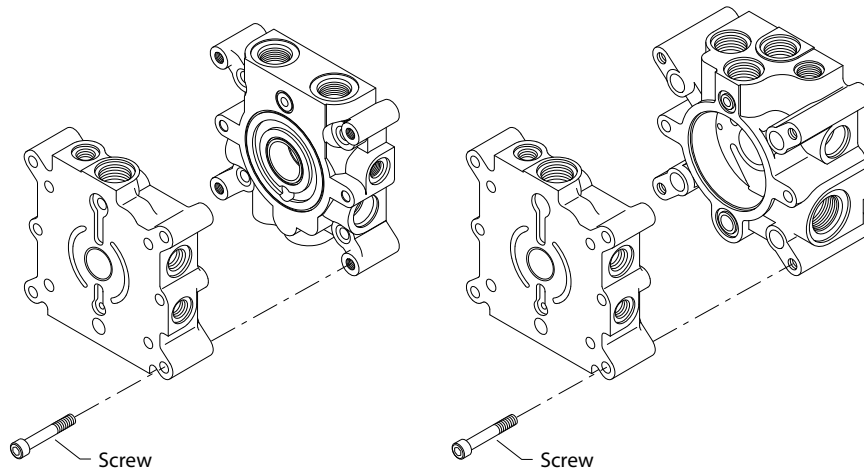
Series 40 M35 and M44 tandem pumps

Subject

Charge pump coupling and gerotor spacer change

Description

Danfoss has changed the 16.4cc gerotor spacer and the charge pump coupling in Series 40 M35 and M44 tandem pumps as a product improvement. This change will eliminate the non-symmetrical coupling and the need for the coupling to be installed in the proper orientation.



Models affected

All Series 40 M35 and M44 tandem pumps with integrated charge pump

Serial numbers

This change became effective at serial number A13-03-XXXXX (23 Jan 2013)

Part numbers affected

| Item description | Old part number | New part number |
|------------------------|-----------------|-----------------|
| Charge pump coupling | 4350090 | 11104848 |
| Gerotor spacer, 16.4cc | 4800177 | 11111469 |
| Gerotor spacer, 19.7cc | 4800178 | 4800178 |

Parts disposition

Must use new 16.4cc gerotor spacer with new coupling

New coupling may be used with old 19.7cc gerotor spacer

Service bulletin

SB-2017-012

Products affected

Series 40 M35 and M44 pumps and motors

Subject

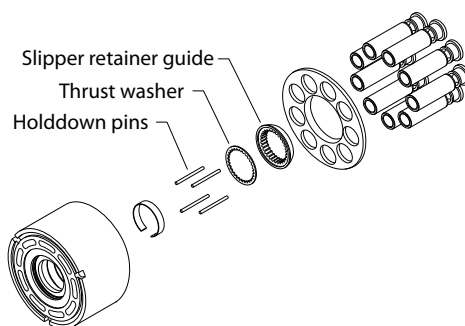
Cylinder block kit design change

Description

A design change has been made to the cylinder block kit of Series 40 M35 and M44 pumps and motors. The change removes the thrust washer from the cylinder block kit assembly. A kit is available for service and repair of the cylinder block.

The internal parts (pin and retainer guide) of the cylinder kit are not interchangeable.

With the removal of the thrust washer from the cylinder block kit assembly, the new service kit contains slipper hold down pins and retainer guide.



Models affected

Series 40 M35 and M44 single and tandem pumps, fixed and variable motors

Cylinder block kits 11054783, 4350291, 4350422, 4350773, 4440004, 4440023, 4440114

Serial numbers

This change became effective at A-17-12-xxxxx (March 17, 2017)

Part numbers affected

| Description | Old number | New number |
|--|--------------|------------|
| Guide slipper retainer | 4350186 | 11178522 |
| Pin straight | 9004875-0109 | 11178524 |
| Washer thrust | 4350187 | - |
| SVC kit: MMF035/44D (includes pins and slipper retainer) | - | 11178525 |

Parts disposition

Non-interchangeable (internal parts in kits)

Products we offer:

- Bent Axis Motors
- Closed Circuit Axial Piston Pumps and Motors
- Displays
- Electrohydraulic Power Steering
- Electrohydraulics
- Hydraulic Power Steering
- Integrated Systems
- Joysticks and Control Handles
- Microcontrollers and Software
- Open Circuit Axial Piston Pumps
- Orbital Motors
- PLUS+1® GUIDE
- Proportional Valves
- Sensors
- Steering
- Transit Mixer Drives

Danfoss Power Solutions is a global manufacturer and supplier of high-quality hydraulic and electronic components. We specialize in providing state-of-the-art technology and solutions that excel in the harsh operating conditions of the mobile off-highway market. Building on our extensive applications expertise, we work closely with our customers to ensure exceptional performance for a broad range of off-highway vehicles.

We help OEMs around the world speed up system development, reduce costs and bring vehicles to market faster.

Danfoss – Your Strongest Partner in Mobile Hydraulics.

Go to www.powersolutions.danfoss.com for further product information.

Wherever off-highway vehicles are at work, so is Danfoss. We offer expert worldwide support for our customers, ensuring the best possible solutions for outstanding performance. And with an extensive network of Global Service Partners, we also provide comprehensive global service for all of our components.

Please contact the Danfoss Power Solution representative nearest you.

Comatrol

www.comatrol.com

Turolla

www.turollaocg.com

Hydro-Gear

www.hydro-gear.com

Daikin-Sauer-Danfoss

www.daikin-sauer-danfoss.com

Local address:

**Danfoss
Power Solutions (US) Company**
2800 East 13th Street
Ames, IA 50010, USA
Phone: +1 515 239 6000

**Danfoss
Power Solutions GmbH & Co. OHG**
Krokamp 35
D-24539 Neumünster, Germany
Phone: +49 4321 871 0

**Danfoss
Power Solutions ApS**
Nordborgvej 81
DK-6430 Nordborg, Denmark
Phone: +45 7488 2222

**Danfoss
Power Solutions Trading
(Shanghai) Co., Ltd.**
Building #22, No. 1000 Jin Hai Rd
Jin Qiao, Pudong New District
Shanghai, China 201206
Phone: +86 21 3418 5200

Danfoss can accept no responsibility for possible errors in catalogues, brochures and other printed material. Danfoss reserves the right to alter its products without notice. This also applies to products already on order provided that such alterations can be made without changes being necessary in specifications already agreed. All trademarks in this material are property of the respective companies. Danfoss and the Danfoss logotype are trademarks of Danfoss A/S. All rights reserved.