



Parts Manual

Priority Valve OLS





Revisions

Revision History

Table of Revisions

Date	Page	Changed	Rev
Jun 2009	All	New edition	AA
Sep 2009	5, 7		AB
Oct 2009	5	Item numbers	AC
Jan 2010	16	Japan location changed	AD
Jan 2010	9	Code number changed	AE
Sep 2010	16	New back cover	AF
May 2012	5	Code number obsoleted	AG
Jun 2014	All	New layout	BA

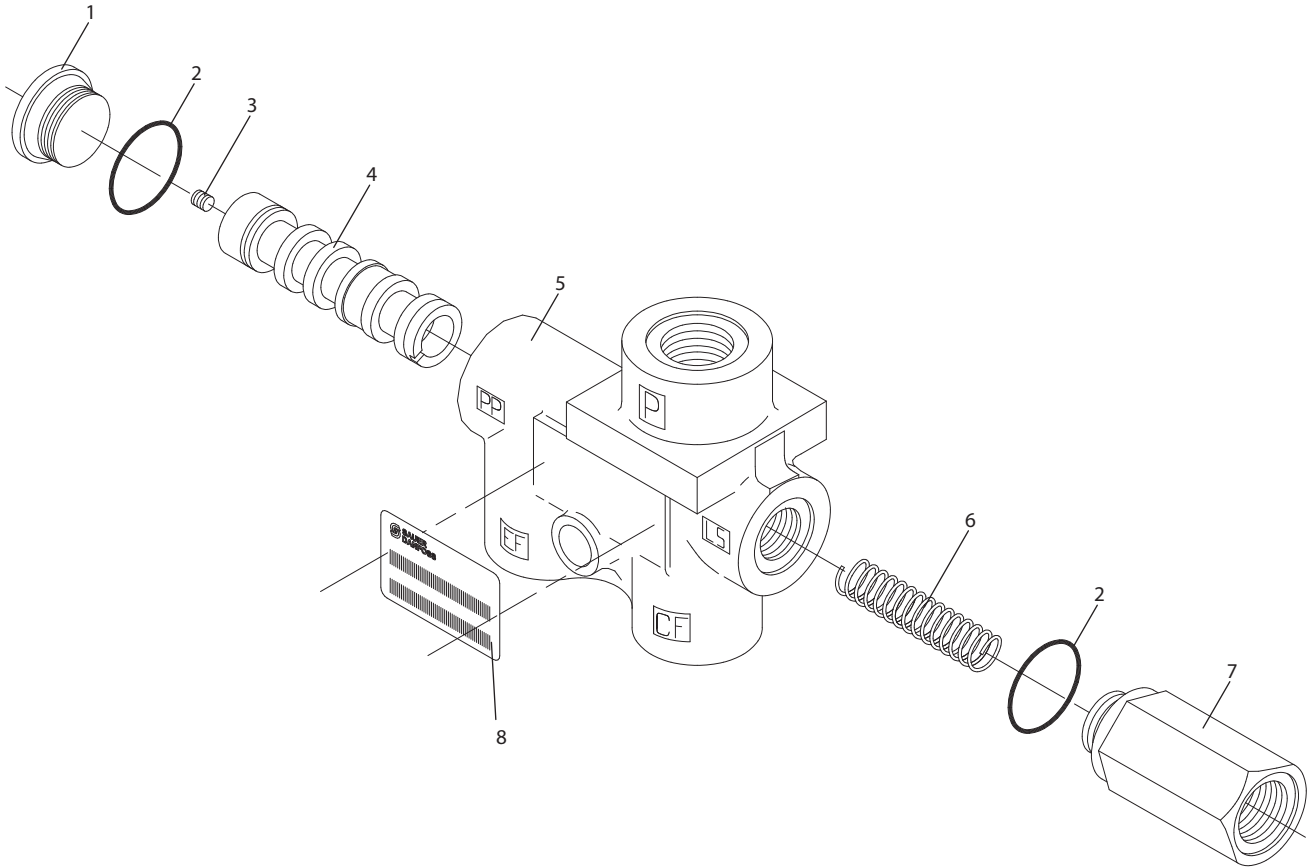


Table of content

OLS 40/80	4
Exploded View OLS 40/80	4
Spare Part List OLS 40/80.....	5
OLSA 40/80	6
Exploded View OLSA 40/80.....	6
Spare Part List OLSA.....	7
OLSP 80	8
Exploded View OLSP 80	8
Spare Part List OLSP	9
OLS 120	10
Exploded View OLS 120.....	10
Spare Part List OLS 120.....	11
OLS 160	12
Exploded View OLS 160.....	12
Spare Part List OLS 160	13
OLS 320	14
Exploded View OLS 320.....	14
Spare Part List OLS 320	15



Exploded View
OLS 40/80



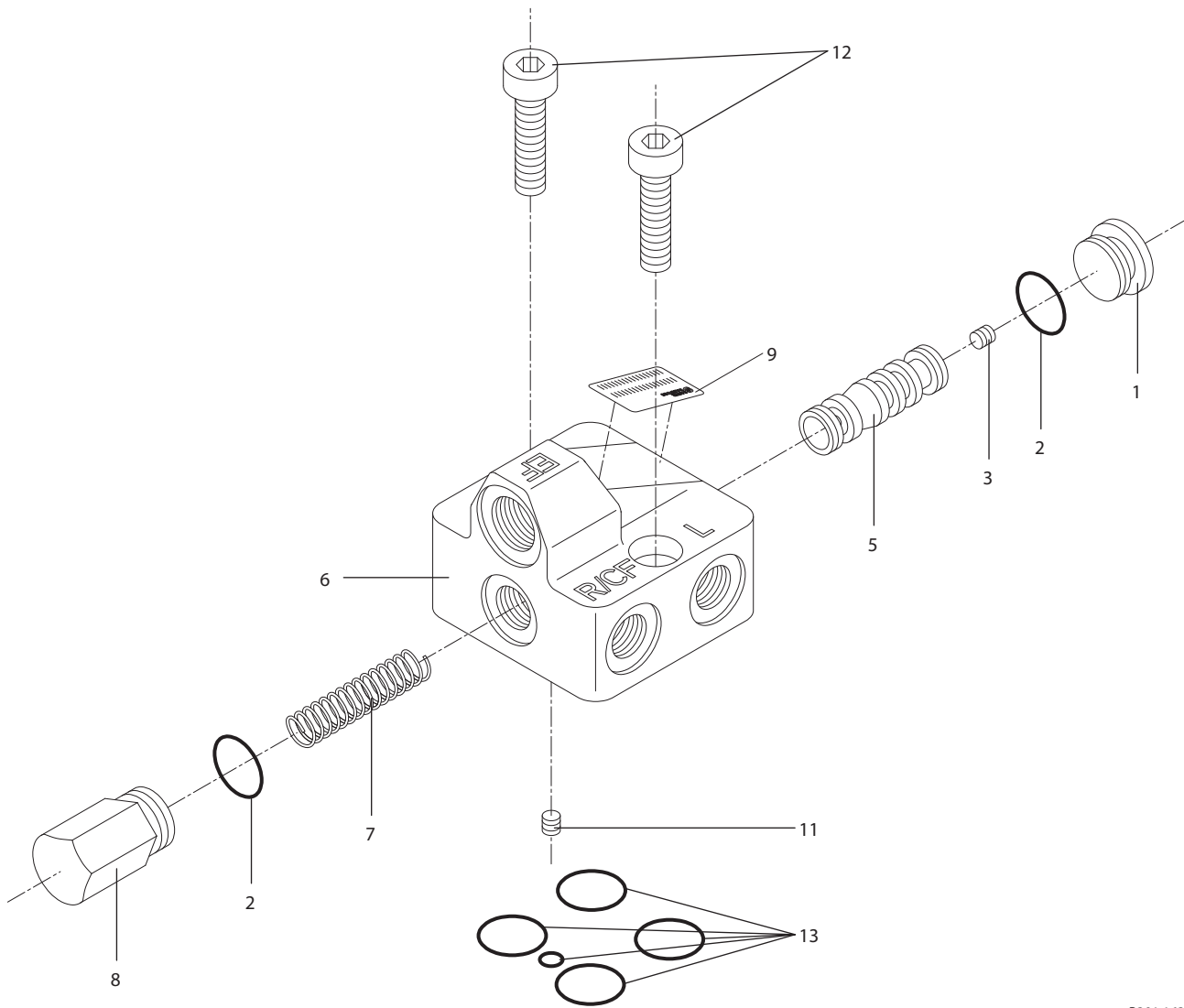
P301 162

**Spare Part List
OLS 40/80**

Item	Spare parts	Code no	Orifice	Comments	No per unit	Tightening torque			
1	Internal PP – plug	152-0413		For seal ring (Al) For O-ring	1	40 N-m +/- 10			
	External PP – plug	631X2046			1				
	G 1/4	152B0371	0.8 mm		1				
	M12 x 1.5	152B0314	0.8 mm		1				
	M12 x 1.5	11005127	1.0 mm		1				
	M12 x 1.5	152B0425	1.2 mm		1				
	PF 1/4	152B0434	0.8 mm	1					
2	Seals	O-ring	633B1457		2				
3	Orifice screw (PP)	155B8316	0.6 mm	M6	1	3.5 N-m +/- 0.5			
		631B1048	0.7 mm	M6	1				
		152B0380	0.8 mm	M6	1				
		631B1043	0.9 mm	M6	1				
		155B8320	1.0 mm	M6	1				
		631B1039	1.2 mm	M6	1				
4	Spool Static:	OLS 40	152B0302	Not sold separately info. Only Intern pp CF 2.5 - EF 4, 9, 18 Intern pp CF 0 - EF 4, 9, 18 Extern pp CF 2.5 - EF 4, 9, 18 Intern pp CF 8 - EF 4, 9 Intern pp CF 8 - EF 4, 9, 18 Intern pp CF 0 - EF 4, 9, 18 Extern pp CF 8 - EF 4, 9, 18	1				
		OLS 40	152B0310		1				
		OLS 40	152B0326		1				
		OLS 80	152B0462		1				
		OLS 80	152B0304		1				
		OLS 80	152B0316		1				
		OLS 80	152B0305		1				
		Dynamic:	OLS 40		152B0306		Dynamic orifice: 0.6 mm	Intern pp CF 2.5 - EF 4, 9, 18	1
			OLS 40		152B0311		0.6 mm	Intern pp CF 2.5 - EF 2, 5, 10, 21	1
			OLS 40		11059514		0.8 mm	Intern pp CF 2,5 - EF 2, 5, 10, 21	1
OLS 40	152B0307		0.9 mm	Intern pp CF 2.5 - EF 4, 9, 18	1				
OLS 40	152B0442		0.9 mm	Intern pp CF 2.5 - EF 2, 5, 10, 21	1				
OLS 80	152B0365		0.7 mm	Intern pp CF 8 - EF 4, 9, 19	1				
OLS 80	152B0449		0.9 mm	Intern pp CF 8 - EF 4, 9, 19	1				
OLS 80	152B0454		0.7 mm	Intern pp CF 8 - EF 4, 9	1				
OLS 80	152B0441		1.0 mm	Intern pp CF 8 - EF 4, 9, 18	1				
OLS 80	11035542		0.9 mm	Intern pp CF 8 - EF 2, 5, 10, 22	1				
5	Housing			Not sold separately	1				
6	Spring	4 bar	663X1088		1				
		5.5 bar	663X6208		1				
		7 bar	663X1087		1				
		10 bar	663X1084		1				
7	External LS – plug	G 1/4 Male	11005740	1.0 mm	1	40 N-m +/- 10			
		G 1/4	152B0372	0.7 mm	1				
		G 1/4 (external thread)	152B0426	0.7 mm	1				
		G 1/4	152B0370	0.8 mm	1				
		G 1/4	152B0448	1.0 mm	1				
		G 1/4	152B0378	1.2 mm	1				
		M12 x 1.5	152B0424	0.7 mm	1				
		M12 x 1.5	152B0369	0.8 mm	1				
		M12 x 1.5	11005126	1.0 mm	1				
		M12 x 1.5 for O-ring	152B0386	0.8 mm	1				
		M12 x 1.5 for O-ring	11028890	1.1 mm	1				
		PF 1/4	152B0435	0.7 mm	1				
		PF 1/4	11004288	1.2 mm	1				
		7/16 – 20 UNF	152B0368	0.7 mm	1				
		7/16 – 20 UNF	152B0376	0.8 mm	1				
		7/16 – 20 UNF	152B0431	1.0 mm	1				
7/16 – 20 UNF	11003795	1.2 mm	1						
8	Name plate			Not available	1				
	Spare part bag	152B4015		Contains item 2					



Exploded View
OLSA



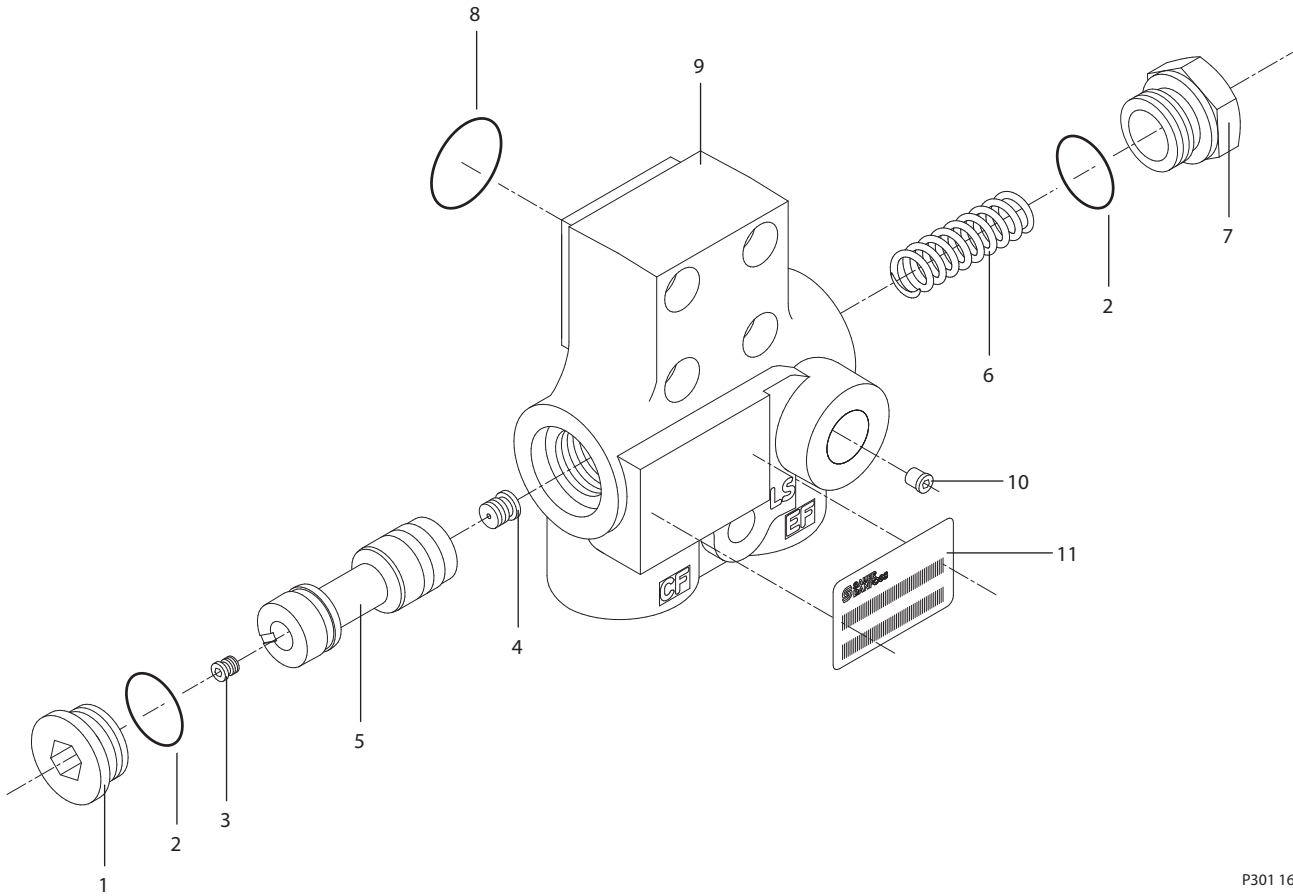
P301 163

**Spare Part List
OLSA**

Item	Spare parts	Code no	Orifice	Comments	No per unit	Tightening torque
1	Internal PP- plug	152-0413 631X2046		For seal ring (Alu) For O-ring	1 1	40 N-m +/- 10
2	Seals Seal ring (Alu) O-ring	633L3061 633B1008		Old New	2 2	
3	Orifice screw (PP)	155B8316 631B1048 152B0380 155B8320 631B1039	0.6 mm 0.7 mm 0.8 mm 1.0 mm 1.2 mm	M6 M6 M6 M6 M6	1 1 1 1 1	3.5 N-m +/- 0.5
5	Spool Static:	OLS 40 152B0302 OLS 40 152B0310 OLS 40 152B0326 OLS 80 152B0462 OLS 80 152B0304 OLS 80 152B0316 OLS 80 152B0305		Not sold separately info. Only Intern pp CF 2,5 - EF 4, 9, 18 Intern pp CF 0 - EF 4, 9, 18 Extern pp CF 2,5 - EF 4, 9, 18 Intern pp CF 8 - EF 4, 9 Intern pp CF 8 - EF 4, 9, 18 Intern pp CF 0 - EF 4, 9, 18 Extern pp CF 8 - EF 4, 9, 18	1 1 1 1 1 1 1	
	Dynamic:	OLS 40 152B0306 OLS 40 152B0311 OLS 40 11059514 OLS 40 152B0307 OLS 40 152B0442 OLS 80 152B0365 OLS 80 152B0449 OLS 80 152B0454 OLS 80 152B0441 OLS 80 11035542	Dynamic orifice: 0.6 mm 0.6 mm 0.8 mm 0.9 mm 0.9 mm 0.7 mm 0.9 mm 0.7 mm 1.0 mm 0.9 mm	Intern pp CF 2,5 - EF 4, 9, 18 Intern pp CF 2,5 - EF 2, 5, 10, 21 Intern pp CF 2,5 - EF 2, 5, 10, 21 Intern pp CF 2,5 - EF 4, 9, 18 Intern pp CF 2,5 - EF 2, 5, 10, 21 Intern pp CF 8 - EF 4, 9, 19 Intern pp CF 8 - EF 4, 9, 19 Intern pp CF 8 - EF 4, 9 Intern pp CF 8 - EF 4, 9, 18 Intern pp CF 8 - EF 2, 5, 10, 22	1 1 1 1 1 1 1 1 1 1	
6	Housing			Not sold separately	1	
7	Spring 4 bar 5.5 bar 7 bar 10 bar	663X1088 663X6208 663X1087 663X1084			1 1 1 1	
8	Internal LS – plug	152B0429			1	40 N-m +/- 10
9	Name plate			Not available	1	
11	Orifice screw (LS)	152B0470 152B0385 631B1054 631B1040 155B8330	1.2 mm 0.6 mm 0.75 mm 0.8 mm 1.0 mm	M4 M4 M4 M4 M4	1 1 1 1 1	3.5 N-m +/- 0.5
12	Bolt l = 40 mm Bolt l = 46 mm	681X1912 681X1625		Use if OLSA is manufactured before week 47 1988 Use if OLSA is manufactured after week 48 1988 (See instruction HI.21.E1.52)	2 2	65 N-m +/- 5
13	Spare part bag For seals between OLSA and OLSP	152B4000		Contents 4 ea. O-rings 633B1406 1 ea. O-ring 633B1460		
14	Spare part bag	152B4015		Contents Item 2	2	



Exploded View
OLSP 80



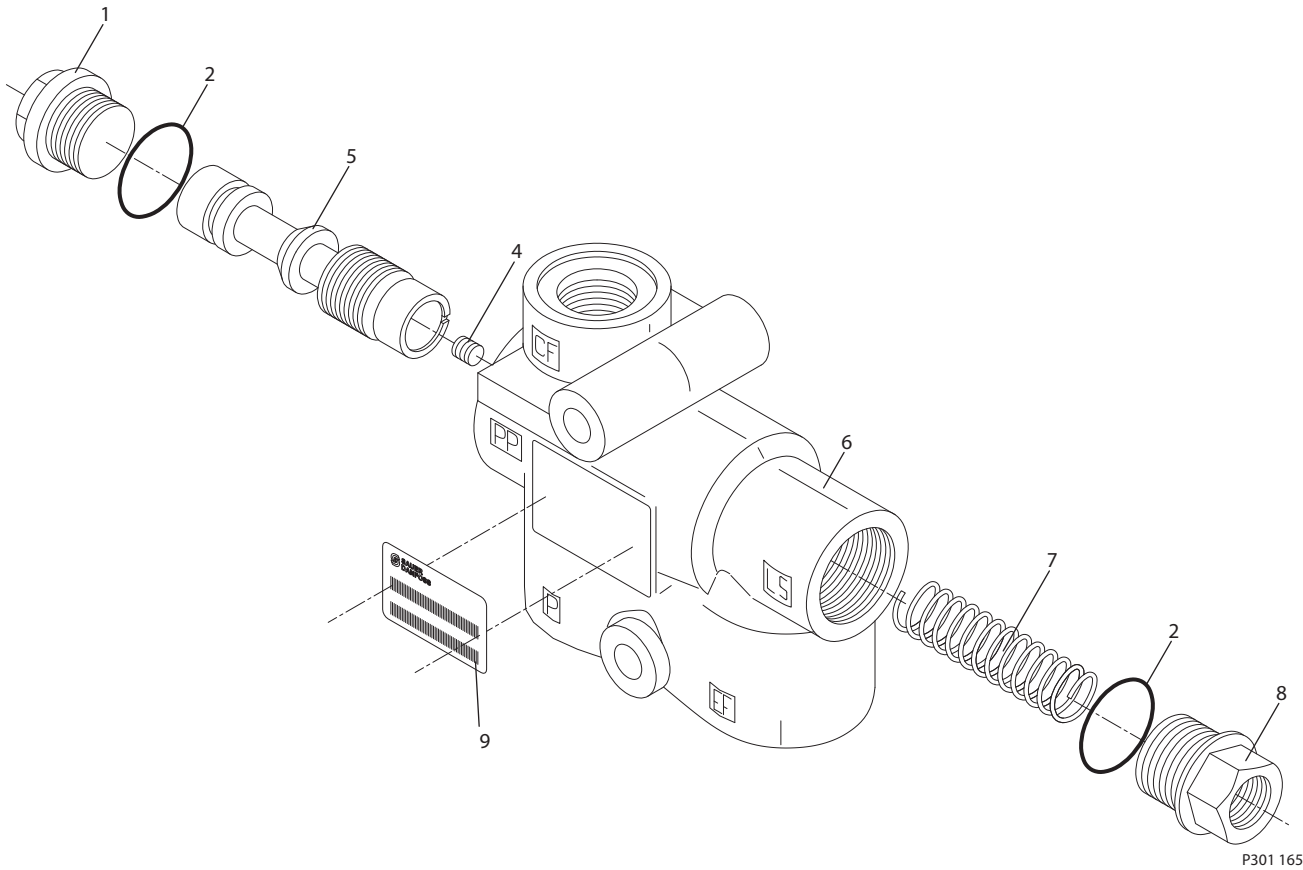
P301 164


**Spare Part List
OLSP 80**

Item	Spare parts	Code no	Orifice	Comments	No per unit	Tightening torque
1	Internal PP – plug	150-4085		O-ring type	1	40 N-m +/- 10
	External PP – plug			None		
2	Seals O-ring	633B1457			2	
3	Orifice screw (PP)	152B0496	1.0 mm	M4 - Shoulder type	1	1.0 N-m +/- 0.1
		152B0497	0.8 mm	M4 - Shoulder type	1	
		152B0499	1.2 mm	M4 - Shoulder type	1	
		11007205	0.6 mm	M4 - Shoulder type	1	
4	Orifice screw (Dyn)	152B0494	0.9 mm	M6 – Shoulder type	1	3.5 N-m +/- 0.5
		152B0495	0.7 mm	M6 – Shoulder type	1	
		152B0498	0.8 mm	M6 – Shoulder type	1	
		150G0466	1.1 mm	M6 – Shoulder type	1	
		11007204	1.0 mm	M6 – Shoulder type	1	
5	Spool	152B5304	Dyn. Static	Not sold separately		
		152B5309				
6	Spring	150H5317			1	
		663X6232			4 bar 7 bar	
7	Plug	M18 x 1.5	152B5305		1	40 N-m +/- 10
8	Seal	O-ring	633B1521	Flange at P-port	1	
9	Housing			Not sold separately		
10	Orifice (LS)	152B0496	1.0 mm	M4 – Shoulder type	1	1.0 N-m +/- 0.1
		152B0497	0.8 mm	M4 – Shoulder type	1	
		152B0499	1.2 mm	M4 – Shoulder type	1	
		11007205	0.6 mm	M4 – Shoulder type	1	
11	Name plate			Not available		
	Spare part bag	152B4015		Contains Item 2 and 8	1	



Exploded View
OLS 120

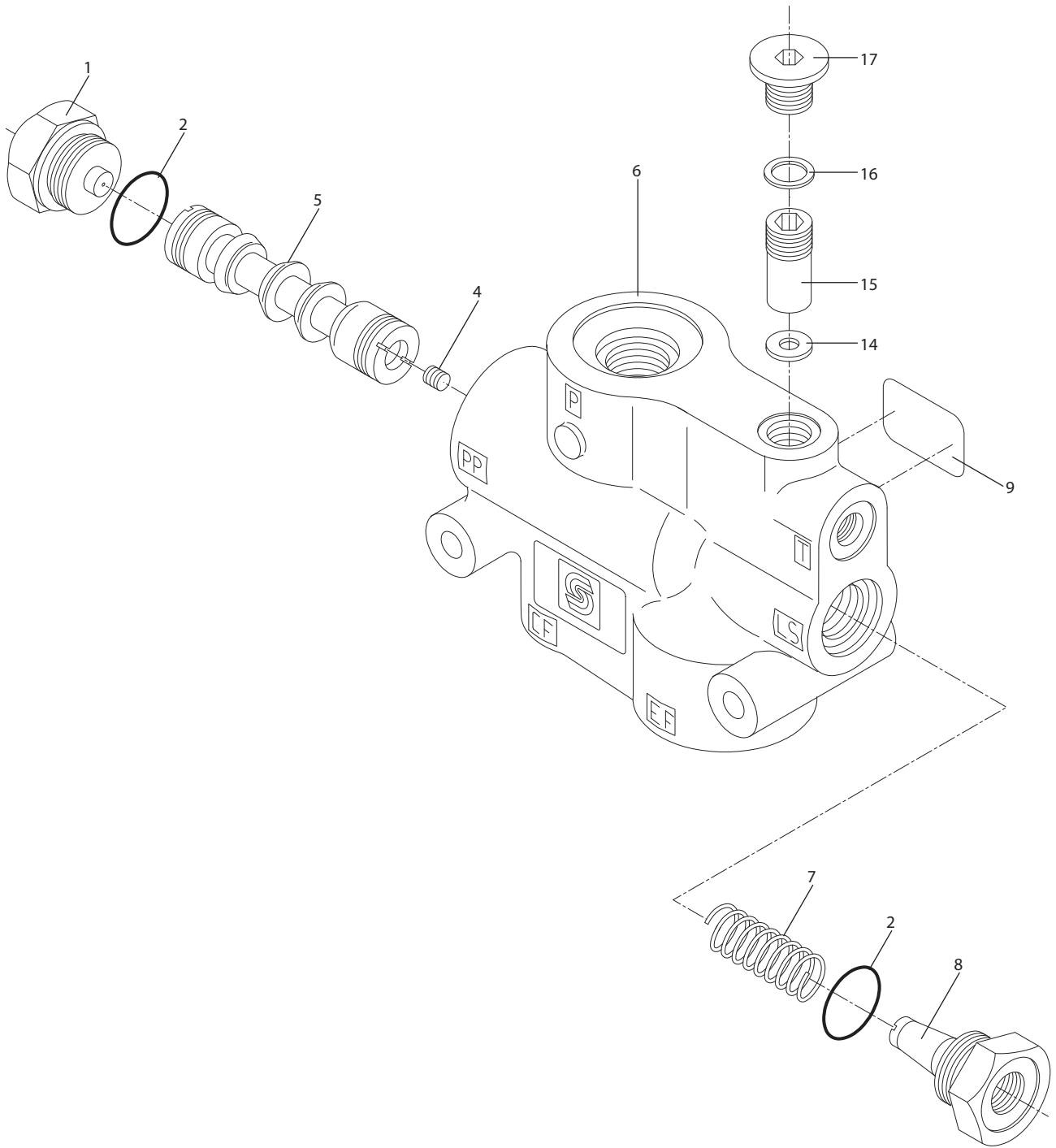



**Spare Part List
OLS 120**

Item	Spare parts	Code no	Orifice	Comments	No per unit	Tightening torque
1	Internal PP plug G 1/2 7/16 – 20 UNF	152B0859		Solid plug	1	60 N-m +/- 5
		152B0856	0.8 mm		1	
2	Seals O-ring	633B1080			2	
4	Orifice screw (Dyn)	155B8316	0.6 mm	M6	1	3.5 N-m +/- 0.5
		631B1048	0.7 mm	M6	1	
		152B0380	0.8 mm	M6	1	
		631B1043	0.9 mm	M6	1	
		155B8320	1.0 mm	M6	1	
		631B1039	1.2 mm	M6	1	
5	Spool	152B0830		For info. only Dyn. Intern	1	
		152B0831		Stat. Intern	1	
		152B0832	PP 0.8 mm	Dyn. Intern	1	
		152B0834	PP 0.7 mm	Stat. Intern	1	
		152B0841	PP 1.5 mm	Dyn. Intern	1	
6	Housing			Not sold separately	1	
7	Spring 4 bar 7 bar 10 bar	663X6154			1	
		663X6155			1	
		663X6156			1	
8	External LS plug G 1/4 G 1/4 G 1/4 G 1/4 M12 x 1.5 for O-ring M12 x 1.5 M12 x 1.5 PF 1/4 7/16 – 20 UNF M12 x 1.5 for O-ring	152B0854	0.6 mm		1	60 N-m +/- 5
		152B0850	0.8 mm		1	
		11018931	1.0 mm		1	
		152B0862	1.2 mm		1	
		152B0853	0.8 mm		1	
		152B0852	0.8 mm		1	
		152B0842	0.9 mm		1	
		152B0860	0.8 mm		1	
		152B0851	0.8 mm		1	
		152B0863	1.2 mm		1	
9	Name Plate			Not available	1	
	Spare part bag	152B4013		Contains Item 2	1	



Exploded View
OLS 160



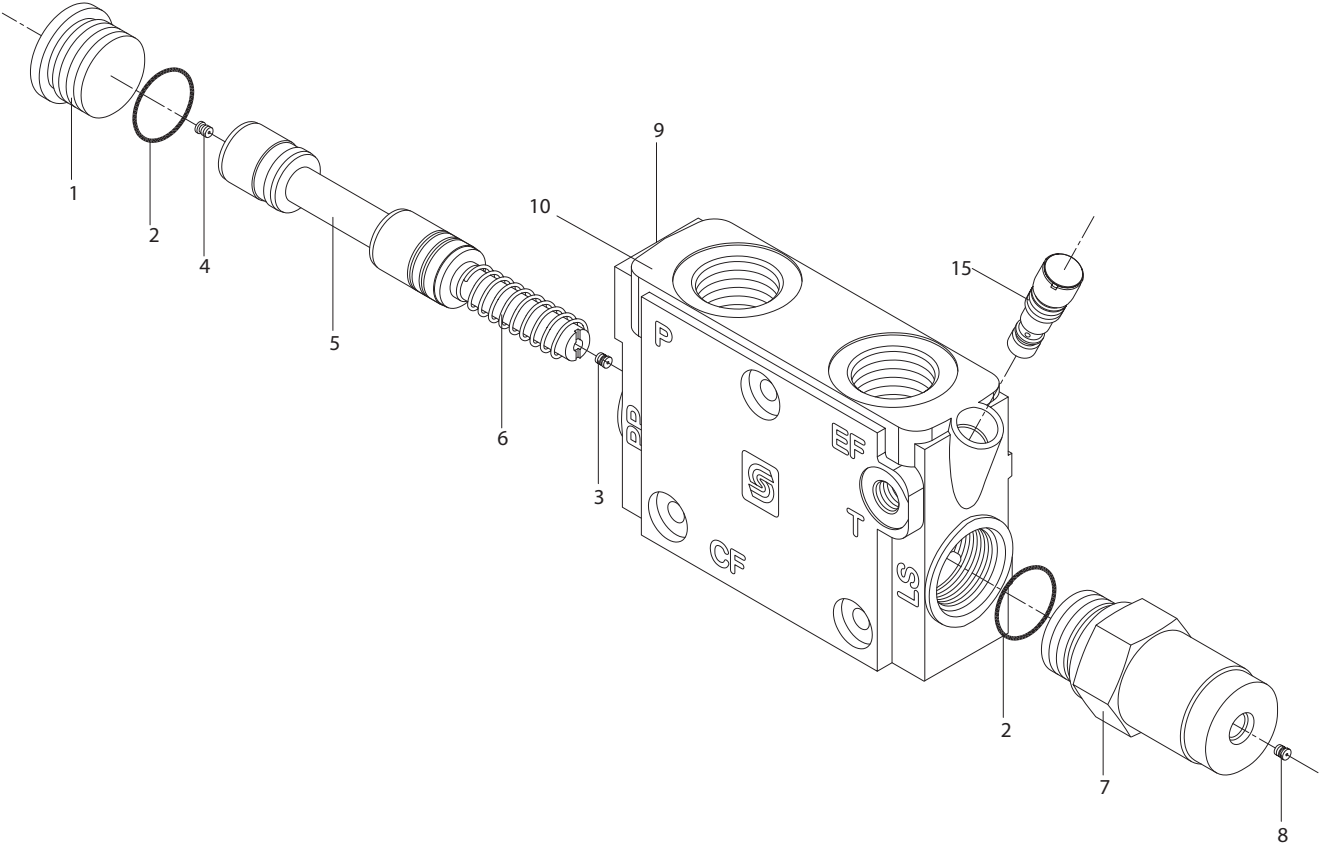
P301 166

**Spare Part List
OLS 160**

Item	Spare parts	Code no	Orifice	Comments	No per unit	Tightening torque
1	Internal PP – plug	152B0666			1	60 N-m +/- 8
	External PP plug					
	G 1/4	152B0663	0.9 mm	With spool for external Pp	1	
	G 1/4	152B0680	0.9 mm	With spool for internal Pp	1	
	M12 x 1.5	152B0692	0.9 mm	With spool for external Pp	1	
	PF 1/4	152B0694	0.9 mm	With spool for external Pp	1	
	PF 1/4	152B0686	0.9 mm	With spool for internal Pp	1	
	7/16 – 20 UNF	152B0696	0.6 mm		1	
	7/16 – 20 UNF	152B0661	0.9 mm	With spool for external Pp	1	
7/16 – 20 UNF	152B0674	0.9 mm	With spool for internal Pp	1		
2	Seals O-ring	633B1008			2	
4	Orifice screw (Dyn)	155B8316	0.6 mm	M6	1	3.5 N-m +/- 0.5
		631B1048	0.7 mm	M6	1	
		152B0380	0.8 mm	M6	1	
		631B1043	0.9 mm	M6	1	
		155B8320	1.0 mm	M6	1	
		631B1039	1.2 mm	M6	1	
5	Spool	152B0634 152B0635 152B0636 152B0641	Pp 0.8 mm	Not sold separately Static Intern Static Extern Dynamic Int./Ext. Dynamic Int./Ext.		
6	Housing			Not sold separately	1	
7	Spring	4 bar 663X1244			1	
		7 bar 663X1247			1	
		10 bar 663X1249			1	
		12 bar 663X6084			1	
8	External LS plug					60 N-m +/- 8
	G 1/4	152B0667	0.9 mm		1	
	G 1/4	152B0682	1.0 mm		1	
	G 1/4	152B0690	1.1 mm		1	
	G 1/4	152B0695	1.2 mm		1	
	M12 x 1.5	152B0688	0.9 mm		1	
	PF 1/4	152B0684	0.9 mm		1	
	7/16 – 20 UNF	152B0697	0.6 mm		1	
	7/16 – 20 UNF	152B0668	0.9 mm		1	
7/16 – 20 UNF	152B0675	1.0 mm		1		
9	Name Plate			Not available	1	
14	Seal washer	633L2111			1	
15	Pilot relief valve	150F0252			1	50 N-m +/- 1
	Pilot relief valve	150F0511			1	
16	Seal ring	684X2565			1	
17	Plug	631X2026			1	50 N-m +/- 1
	Spare part bag	152B4012		Contains : Item 2 1 ea. seal washer 633L2111 1 ea. seal ring 684X2565		



Exploded View
OLS 320



P301 167


**Spare Part List
OLS 320**

Item	Spare parts	Code no	Orifice	Comments	No per unit	Tightening torque
1	Internal PP - plug M33 x 2.0	631X9922		Solid plug	1	50 N-m +/- 5
2	Seals O-ring	633B0740		PP-plug and LS-plug	2	
3	Orifice screw (Dyn)	11007205	0.6 mm	M4 Shoulder type	1	1.0 N-m +/- 0.1
		152B0497	0.8 mm	M4 Shoulder type	1	
		152B0496	1.0 mm	M4 Shoulder type	1	
		152B0499	1.2 mm	M4 Shoulder type	1	
4	Orifice screw PP	152B0495	0.7 mm	M6 Shoulder type	1	3.5 N-m +/- 0.5
		152B0498	0.8 mm	M6 Shoulder type	1	
		152B0494	0.9 mm	M6 Shoulder type	1	
		150G0466	1.1 mm	M6 Shoulder type	1	
		11007204	1.0 mm	M6 Shoulder type	1	
5	Spool Not sold separately	152B6302			1	
		152B6316			1	
6	Spring 7 bar 10 bar 16 bar	663X1030			1	
		663X1096			1	
		663X1263			1	
7	Plug LS G 1/4 M12 x 1.5 UNF	11015283			1	50 N-m +/- 5
		152B6312			1	
		152B6315			1	
8	Orifice LS	11007205	0.6 mm	M4 Shoulder type	1	1.0 N-m +/- 0.1
		152B0497	0.8 mm	M4 Shoulder type	1	
		152B0496	1.0 mm	M4 Shoulder type	1	
		152B0499	1.2 mm	M4 Shoulder type	1	
9	Name plate			Not available		
10	Housing			Not sold separately		
15	Cartridge	155L6485		With O-ring and back-up seal	1	25 N-m +/- 2.5
	Spare part bag	152B6200		Contains item 2	1	



Products we offer:

- Bent Axis Motors
- Closed Circuit Axial Piston Pumps and Motors
- Displays
- Electrohydraulic Power Steering
- Electrohydraulics
- Hydraulic Power Steering
- Integrated Systems
- Joysticks and Control Handles
- Microcontrollers and Software
- Open Circuit Axial Piston Pumps
- Orbital Motors
- PLUS+1® GUIDE
- Proportional Valves
- Sensors
- Steering
- Transit Mixer Drives

Danfoss Power Solutions is a global manufacturer and supplier of high-quality hydraulic and electronic components. We specialize in providing state-of-the-art technology and solutions that excel in the harsh operating conditions of the mobile off-highway market. Building on our extensive applications expertise, we work closely with our customers to ensure exceptional performance for a broad range of off-highway vehicles.

We help OEMs around the world speed up system development, reduce costs and bring vehicles to market faster.

Danfoss – Your Strongest Partner in Mobile Hydraulics.

Go to www.powersolutions.danfoss.com for further product information.

Wherever off-highway vehicles are at work, so is Danfoss.

We offer expert worldwide support for our customers, ensuring the best possible solutions for outstanding performance. And with an extensive network of Global Service Partners, we also provide comprehensive global service for all of our components.

Please contact the Danfoss Power Solution representative nearest you.

Comatrol

www.comatrol.com

Schwarzmueller-Inverter

www.schwarzmueller-inverter.com

Turolla

www.turollaocg.com

Valmova

www.valmova.com

Hydro-Gear

www.hydro-gear.com

Daikin-Sauer-Danfoss

www.daikin-sauer-danfoss.com

Local address:

Danfoss Power Solutions (US) Company

2800 East 13th Street
Ames, IA 50010, USA
Phone: +1 515 239 6000

Danfoss Power Solutions GmbH & Co. OHG

Krokamp 35
D-24539 Neumünster, Germany
Phone: +49 4321 871 0

Danfoss Power Solutions ApS

Nordborgvej 81
DK-6430 Nordborg, Denmark
Phone: +45 7488 2222

Danfoss Power Solutions Trading (Shanghai) Co., Ltd.

Building #22, No. 1000 Jin Hai Rd
Jin Qiao, Pudong New District
Shanghai, China 201206
Phone: +86 21 3418 5200

Danfoss can accept no responsibility for possible errors in catalogues, brochures and other printed material. Danfoss reserves the right to alter its products without notice. This also applies to products already on order provided that such alterations can be made without changes being necessary in specifications already agreed. All trademarks in this material are property of the respective companies. Danfoss and the Danfoss logotype are trademarks of Danfoss A/S. All rights reserved.