



Safety Thermostats

ST-1/ST-2

Description

Safety thermostats ST-1 and ST-2 can be used in directly or indirectly connected district heating systems where extra safety is required.

ST-1 incorporates a thermostat (TR) and a safety monitor (STW) with automatic reset.

ST-2 incorporates a thermostat (TR) with automatic reset and a safety limit cutout (STB) with manual reset.

If ST-1 or ST-2 is used together with an AMV(E) 13, 23, or 33 three-point controlled actuator, the safety monitor (STW) or safety limit cutout (STB) releases the spring return function for forced closure of the motorized control valve.

The safety thermostats are approved in accordance with DIN 3440 with the following

DIN Register Nos.:

ST-1: TR STW 1175 05

ST-2: TR STB 1176 05

Features & benefits

- Extra safety in directly or indirectly connected district heating systems
- Automatic reset


Applications

- Directly connected district heating systems
- Indirectly connected district heating systems

Product code numbers

Type	Description	Thermostat TR setting [°C] [Min]	Thermostat TR setting [°C] [Max]	Safety limiter STB [°C]	Code number
ST-1	Safety thermostat ST-1	30	120		087N1050
ST-2	Safety thermostat ST-2	30	90	95	087N1051

Accessories code numbers



087N1201

SENSOR POCKET ST1/ST2

SENSOR POCKET ST1/ST2

Related products

087N1050
087N1051

Product details

General data

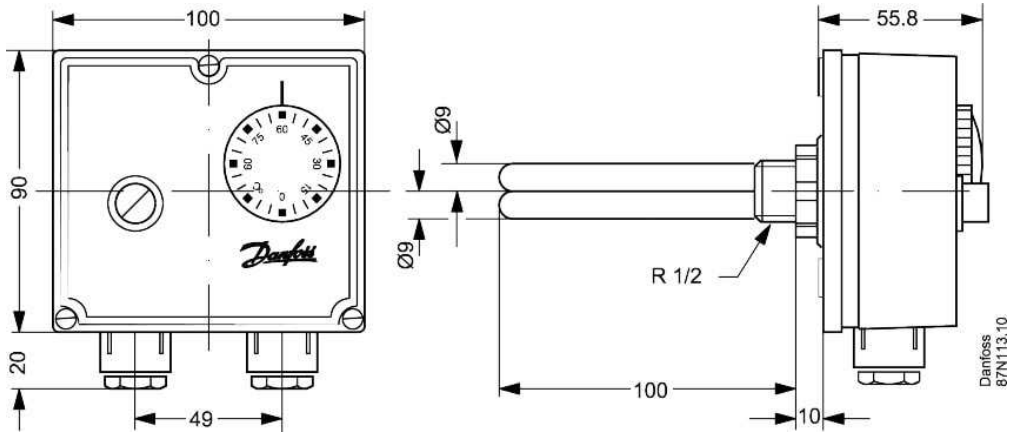
ST-1	TR	STW
Setting	30 - 120°C	100 - 120°C
Differential	4 ± 1 K	12 ± 3 K
Reset	Auto	Auto

ST-2	TR	STB
Setting	30 - 90°C	95°C
Differential	4 ± 1 K	12 ± 3 K
Reset	Auto	Manual

Contacts	Ag 1000/1000
Contact loads	10 (2.5) A 250 V ~ / 7 A 380 V ~
Max. ambient temperature	80°C
Max. sensor temperature	130°C
Cut-out accuracy	+0 K - -6 K
Enclosure	IP 40
Mounting direction	No restrictions
Sensor connection	R ½
Cable entry	M 20
Pressure stage	PN 10
Medium	Water, pH 7 - 10
Sensor	2 off Ø 9 x 100
Sensor pockets (takes both sensors)	Brass Ms 58/copper
Storage and transport temperature	-15°C - +80°C
Approvals	DIN 3440 and VDE 0631

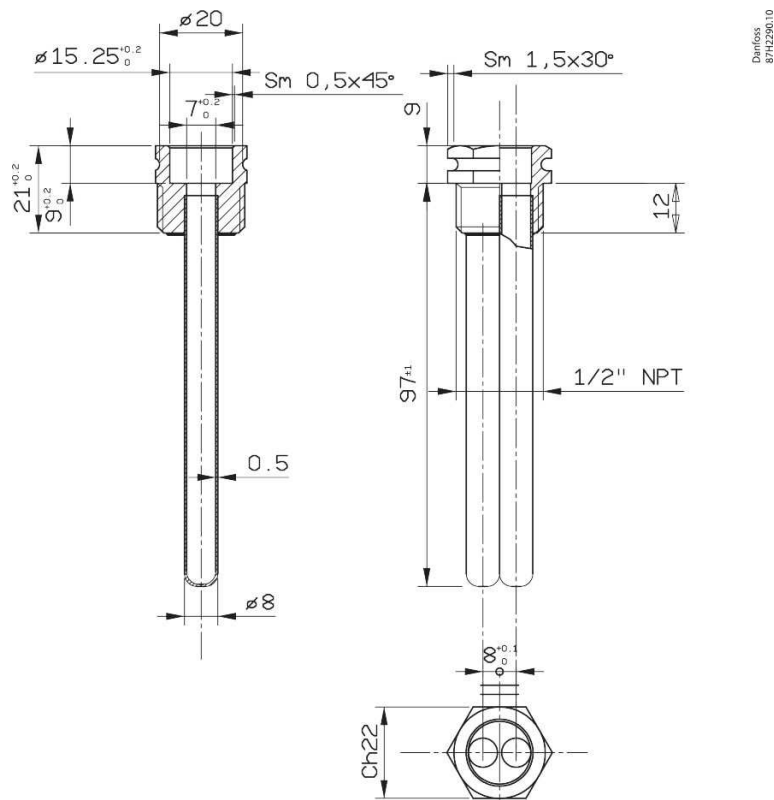
Dimensions

Weight	Safety thermostat ST-1		Safety thermostat ST-2
	Gross weight	0.436 kg	0.458 kg
	Net weight	0.46 kg	0.458 kg
	Volumne	2.025 Liter	2.025 Liter



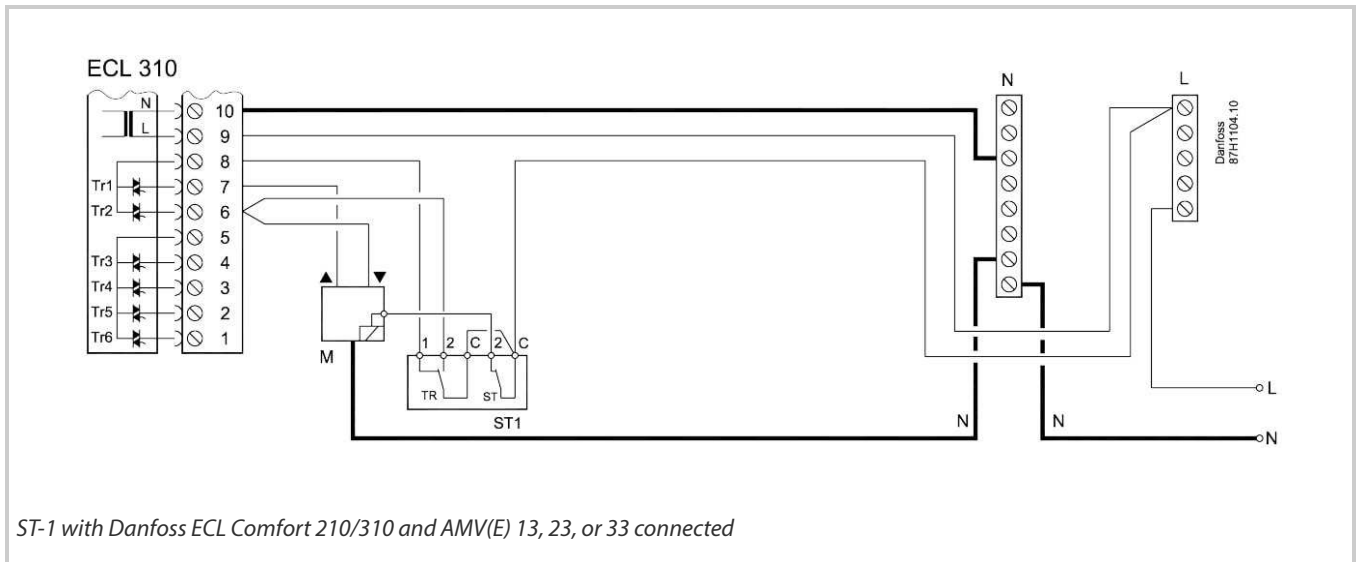
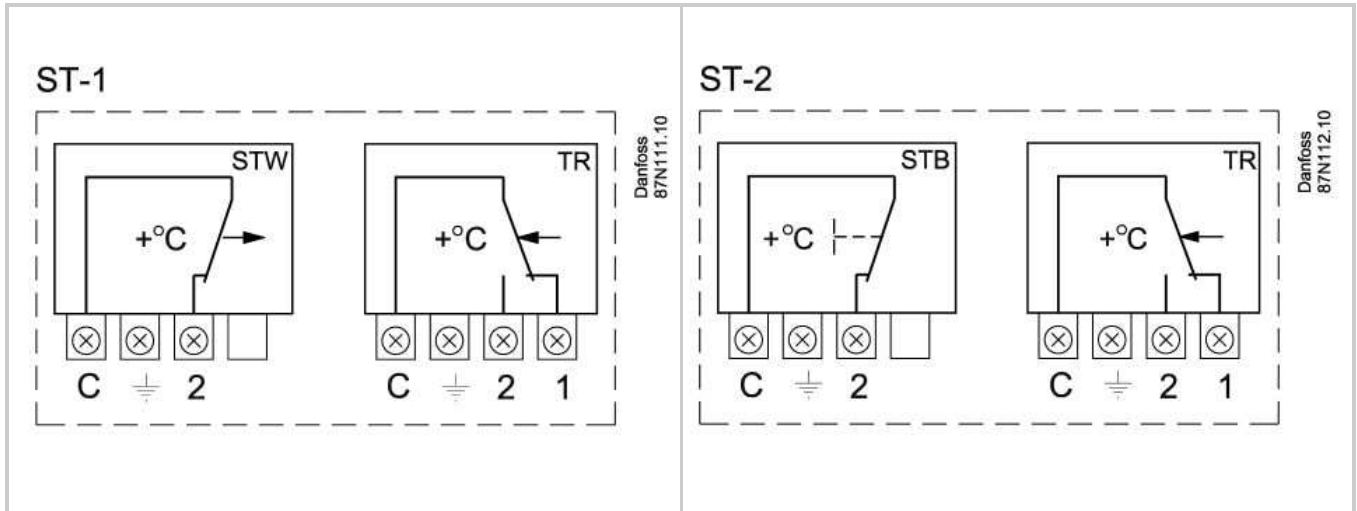
Accessory

Sensor pocket for ST-1 / ST-2



Connections

Electrical connections



Certificates, declarations and approvals

The list contains all certificates, declarations, and approvals for this product type. Individual code number may have some or all of these approvals, and certain local approvals may not appear on the list.

When you click on the link you will be directed to the latest version of the 'Declaration of Conformity'. Products developed and sold before this date of issue conform to the directives/standards in force at the time of their sale.

Approval type	Title	Certification body	Approval topic
EU Declaration	Danfoss EU VIJAP202.03	Danfoss	LVD

Contact details

Online support

Danfoss offers a wide range of support along with our products, including digital information, software, mobile apps and expert guidance. See the possibilities below.



The Danfoss Design center

Discover the Design Center, our advanced digital platform that streamlines product selection. With integrated tools and enhanced type pages, it's simpler than ever to access product information and documentation, and to select the right products. Check the availability of Danfoss products at partner locations and enjoy seamless transitions from selection to purchase with our basket-to-basket functionality. Whether you're buying from our distributors or directly from the Product Store, the Design Center simplifies your experience. Learn more at: designcenter.danfoss.com.



The Danfoss product store

The Danfoss Product Store is a one-stop shop available 24/7 for our customers, no matter where you are in the world or what area of industry you work in. Browse our catalog, check product details and documentation, view your prices and product availability, and quickly finalize your purchase. Start browsing at: store.danfoss.com.



Danfoss Partner Portal/Product Data tool

Designed to support you with easy access to product data extracts, essential resources, tools, and information. The Partner Portal provides a centralized hub for product documentation, training materials, marketing assets, and technical support, ensuring you have everything you need to succeed and grow your business with Danfoss. The Partner Portal is available 24/7 at: partner.danfoss.com and is ready to support your business.



Find technical documentation

Find technical documentation you need to get your project up running. Get direct access to our official collection of data sheets, certificates and declarations, manuals and guides, 3D models and drawings, case stories, brochures, and much more. Start searching now at: documentation.danfoss.com.



Danfoss Learning

Danfoss Learning is a free online learning platform. It features courses and materials specifically designed to help engineers, installers, service technicians, and wholesalers better understand the products, applications industry topics, and trends that will help you do your job better. Find your local Danfoss website here: learning.danfoss.com.



Get local information and support

Local Danfoss websites are the main sources for help and information about our company and products. Find product availability, get the latest regional news, or connect with a nearby expert - all in your own language. Find your local Danfoss website here: danfoss.com.

Danfoss A/S

Climate Solutions . danfoss.com . +45 7488 2222

Any information, including, but not limited to information on selection of product, its application or use, product design, weight, dimensions, capacity or any other technical data in product manuals, catalogues description, advertisements, etc. and whether made available in writing, orally, electronically, online or via download, shall be considered informative, and is only binding if and to the extent, explicit reference is made in a quotation or order confirmation. Danfoss cannot accept any responsibility for possible errors in catalogues, brochures, videos and other material. Danfoss reserves the right to alter its products without notice. This also applies to products ordered but not delivered provided that such alterations can be made without changes to form, fit or function of the products. All trademarks in this material are property of Danfoss A/S or Danfoss group companies. Danfoss and the Danfoss logo are trademarks of Danfoss A/S. All rights reserved.
