



BMV 28/32

Integrated Drive Motor



Revision history

Table of revisions

Date	Changed	Rev
March 2026	New Danfoss layout	0102
February 2026	First edition	0101

General information

Service parts identification..... 4
 Nameplate..... 4
 Date code..... 5
 About service bulletins..... 5
 Procedure to identify a part..... 5
 Adobe Acrobat 2-page viewing..... 6
 Order code..... 7

Control

Order code: SA, SB, SAL, SBL..... 8

Orifices

Order code: 5N, 6N, 8N, 4W, 5W..... 11

Displacement

Order code: 65, 65L, 68, 68L..... 13

Speed Sensor

Order code: NA, NB, S..... 15

Parking Brake

Order code: NA, NG..... 17
 Order code: BA, BG..... 19
 Ordr code: SA..... 21

Loop Flushing Shuttle System

Order code: A, N..... 23
 Order code: NN, A1-A4, B1-B4, C1-C4, D3..... 25

Special Hardware

Order code: NN, NS..... 27

Mounting Flange

Ordr code: M1, M2..... 29
 Order code: L1, L2, F2..... 31

Endcap Ports

Order code: RA, RB..... 33
 Order code: RC, RD..... 35
 Order code: R1, A1..... 37

Ring Gear / Floating Seal

Order code: NN, AN..... 39

Reduction Gear Ratio

Order code: B..... 41

Overhaul seal kit

Order code: Q210..... 43

General information

Service parts identification

The following information and procedure is used to identify the module group, item number, manufacture date, part number, and part name of the parts included in the BMV 28/32 motor.

The parts listed include all parts which may be used when performing either “Minor Repairs”, “Major Repairs” or “Conversions” on the BMV 28/32 motor.

Nameplate

Each unit will have a nameplate affixed to the housing. The nameplate of the BMV 28/32 motor will include the following information:

Model code

The Danfoss model code completely defines the specific unit and must be used when ordering parts to service this product.

Model/material number

The Danfoss model number (also known as material number) is used by the factory in manufacturing. On repeat orders, a complete unit can be ordered by the model number.

Serial number

The Danfoss serial number is used to identify the manufacture date and the unit sequence in the build. The serial number is also used to identify the units warranty time period.

The letter code indicates the location of original manufacture (assembly).

The first number (2 digits) indicates the year of manufacture. The second number (2 digits) indicates the calendar week of manufacture.

The third number (5 digits) is a sequential number used to identify a specific unit.



Date code

The date code is defined as the year and week of manufacture. The same item number may list more than one part number. This indicates that there is more than one configuration for that item number. You will see that there are different date codes for the different part numbers. Find the date code of your unit from the nameplate to determine which service part number you need to order.

Example: The service part desired is item G30

Order Code	Item	Date Begin	Date End	Part Number	Part Name	Qty. per Model/Kit
80	G30	89-17		8000243	End cap gasket	1
	G30		89-16	8000151	End cap gasket (SB-1995-006)	1

All units using this order code with a date code prior to 89-17 must use part number "8000151." All units with a date code of 89-17 and newer must use part number "8000243."

About service bulletins

A Service Bulletin Number (SB-____-____) may follow the "Part Name" of the part you desire. You must read that Service Bulletin prior to ordering that part. The information contained in these Service Bulletins, as of the print date of this bulletin, are included at the end of this manual. Service Bulletins contain more detailed information such as interchangeability, what additional parts are involved, etc. It is suggested that you add additional Service Bulletins to this manual as you receive them.

Procedure to identify a part

The modular design of this product results in a simplified service parts list and part number identification procedure.

The same item numbers are used for same part names on all units within a product type. A part number that has another number following it in parentheses is done to make this a world wide manual. Referring to the Port Configuration in the Order Code on page 8, valid variables are "A" (Inch) and "M" (metric).

Regional part numbers

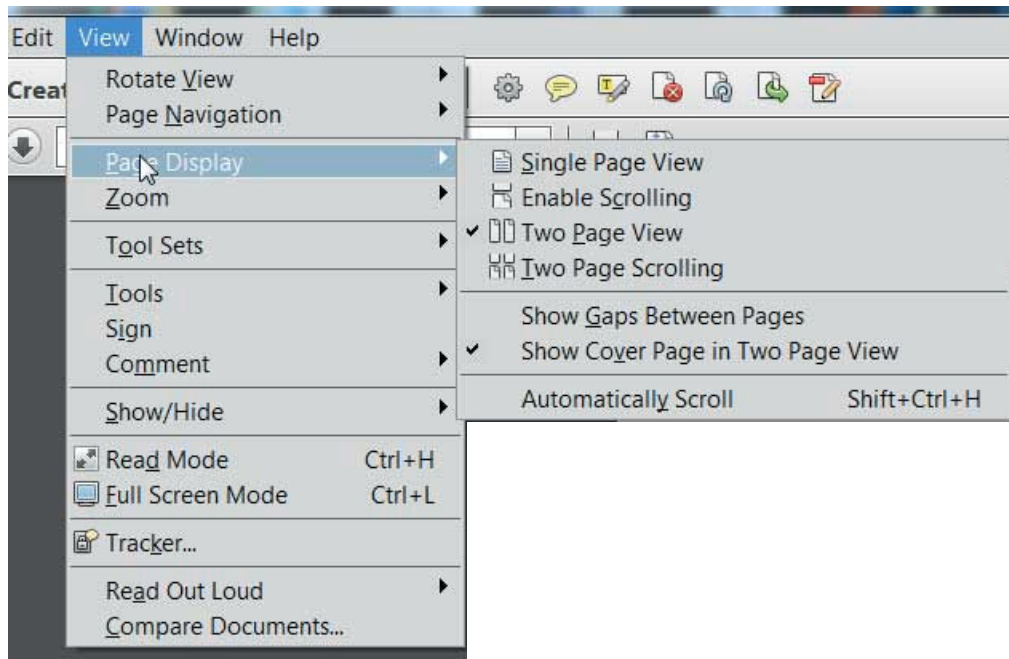
Some part numbers are region specific and should be ordered accordingly.

As an example, the part number (example: 314583 (9008000-0118)) will be used. The first number is sold in Europe. The number in parentheses is sold in the United States. Customers would order 9008000-0118 if ordering the part in the United States.

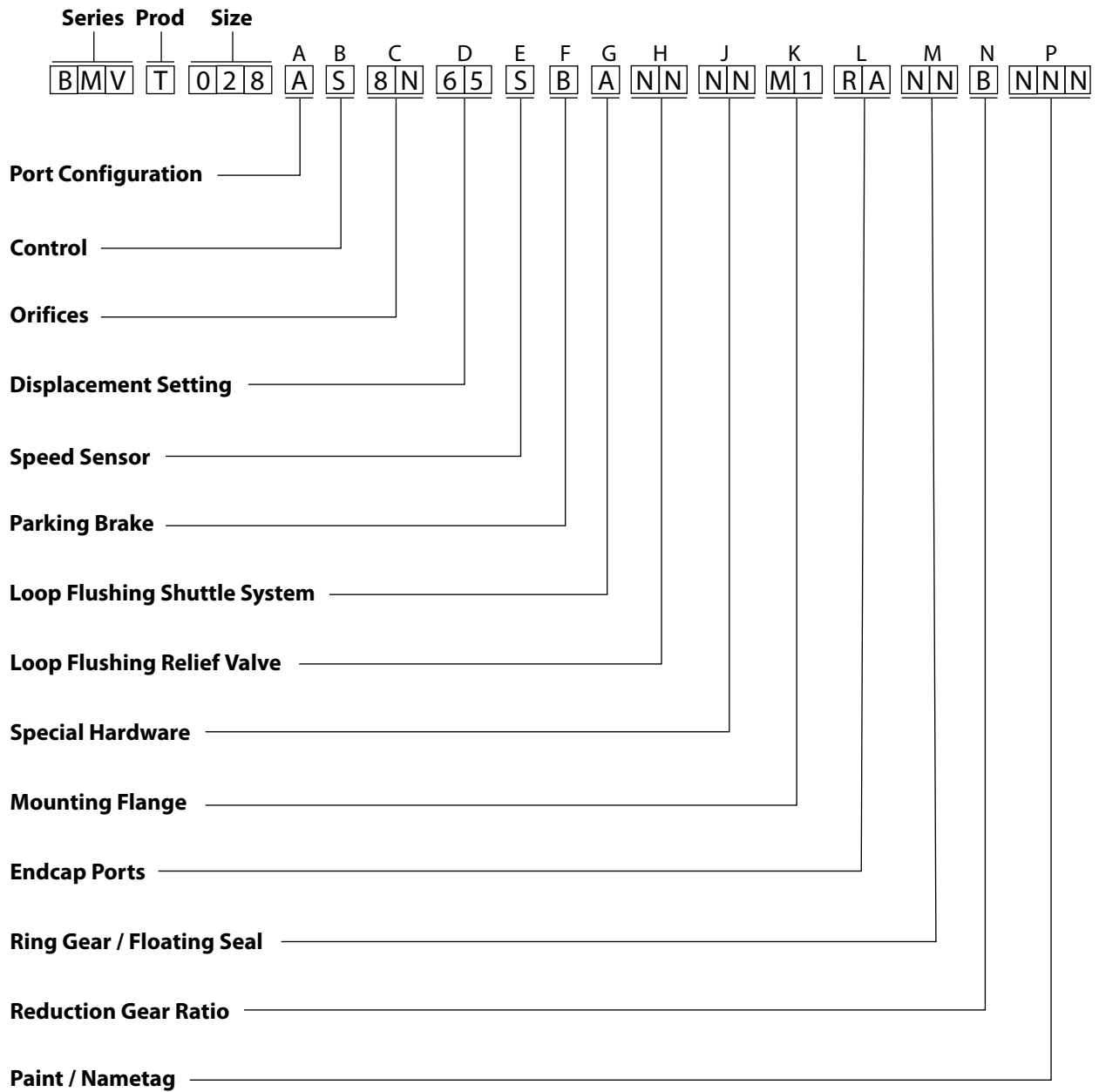
Adobe Acrobat 2-page viewing

While viewing manual in Adobe Acrobat, the following settings need to be applied to ensure proper page display.

1. Select "View" → "Page Display" → "Two Page View"
2. Select "View" → "Page Display" → "Show Cover Page in Two Page View"



Order code

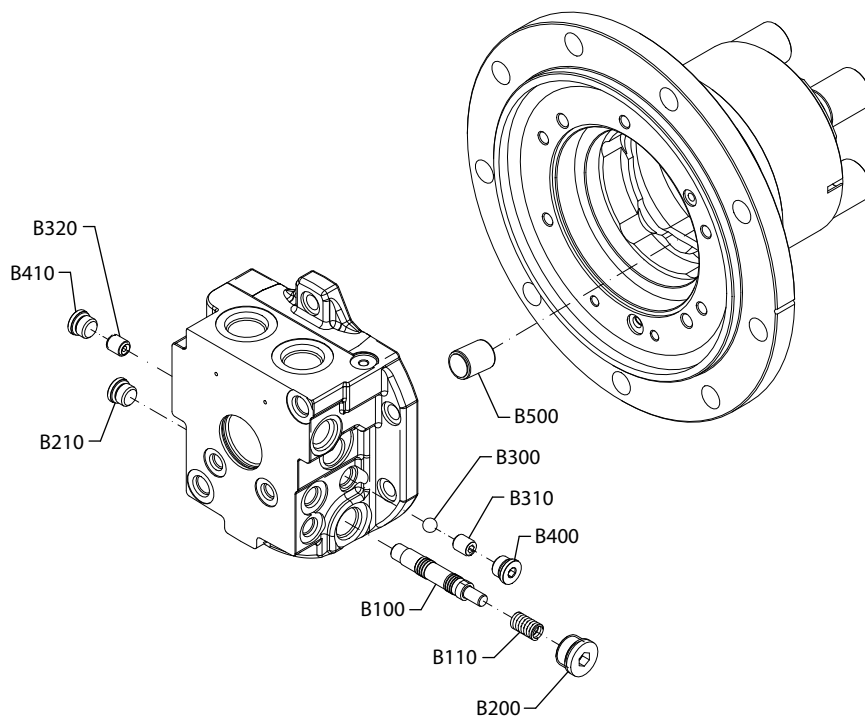


P401050

Control

Order code: SA, SB, SAL, SBL

Parts configuration



P401051

 **Note**

Generic housing and endcap used to show part location only.

Group Letter: B (BMV 28)

Order Code	Item	Date Begin	Date End	Part Number	Part Name	Qty. per Model/Kit
SA	B100	26-09		1734074	SPOOL 2 SPEED TYPE	1
	B110	26-09		1745677	SPRING	1
	B200	26-09		J9005110-8700	PLUG ASSY-SOC HD, UNF-7/8-14	1
	B210	26-09		J9005110-5600	PLUG ASSY-SOC HD, UNF-9/16-18	1
	B300	26-09		HKW03	STEEL BALL 3/8 JISB1501	1
	B310	26-09		1746452	SEAT PLUG(4DIAMETER)	1
	B320	26-09		1746452	SEAT PLUG(4DIAMETER)	1
	B400	26-09		J9005110-5600	PLUG ASSY-SOC HD, UNF-9/16-18	1
	B410	26-09		J9005110-5600	PLUG ASSY-SOC HD, UNF-9/16-18	1
	B500	26-09		11194337	CONTROL PISTON 18.8dia_BMVT28	1
SB	B100	26-09		1734074	SPOOL 2 SPEED TYPE	1
	B110	26-09		1745677	SPRING	1
	B200	26-09		J9005100-7500	PLUG ASSY-HEX HD, UNF-3/4-16	1
	B210	26-09		J9005110-5600	PLUG ASSY-SOC HD, UNF-9/16-18	1
	B300	26-09		HKW03	STEEL BALL 3/8 JISB1501	1
	B310	26-09		1746452	SEAT PLUG(4DIAMETER)	1
	B320	26-09		1746452	SEAT PLUG(4DIAMETER)	1
	B400	26-09		J9005110-5600	PLUG ASSY-SOC HD, UNF-9/16-18	1
	B410	26-09		J9005110-5600	PLUG ASSY-SOC HD, UNF-9/16-18	1
	B500	26-09		11194337	CONTROL PISTON 18.8dia_BMVT28	1

Group Letter: B (BMV 32)

SA	B100	26-09		1734074	SPOOL 2 SPEED TYPE	1
	B110	26-09		1745677	SPRING	1
	B200	26-09		J9005110-8700	PLUG ASSY-SOC HD, UNF-7/8-14	1
	B210	26-09		J9005110-5600	PLUG ASSY-SOC HD, UNF-9/16-18	1
	B300	26-09		HKW03	STEEL BALL 3/8 JISB1501	1
	B310	26-09		1746452	SEAT PLUG(4DIAMETER)	1
	B320	26-09		1746452	SEAT PLUG(4DIAMETER)	1
	B400	26-09		J9005110-5600	PLUG ASSY-SOC HD, UNF-9/16-18	1
	B410	26-09		J9005110-5600	PLUG ASSY-SOC HD, UNF-9/16-18	1
	B500	26-09		11177097	CONTROL PISTON 20dia_BMVT32	1
SB	B100	26-09		1734074	SPOOL 2 SPEED TYPE	1
	B110	26-09		1745677	SPRING	1
	B200	26-09		J9005100-7500	PLUG ASSY-HEX HD, UNF-3/4-16	1
	B210	26-09		J9005110-5600	PLUG ASSY-SOC HD, UNF-9/16-18	1
	B300	26-09		HKW03	STEEL BALL 3/8 JISB1501	1
	B310	26-09		1746452	SEAT PLUG(4DIAMETER)	1
	B320	26-09		1746452	SEAT PLUG(4DIAMETER)	1
	B400	26-09		J9005110-5600	PLUG ASSY-SOC HD, UNF-9/16-18	1
	B410	26-09		J9005110-5600	PLUG ASSY-SOC HD, UNF-9/16-18	1
	B500	26-09		11177097	CONTROL PISTON 20dia_BMVT32	1

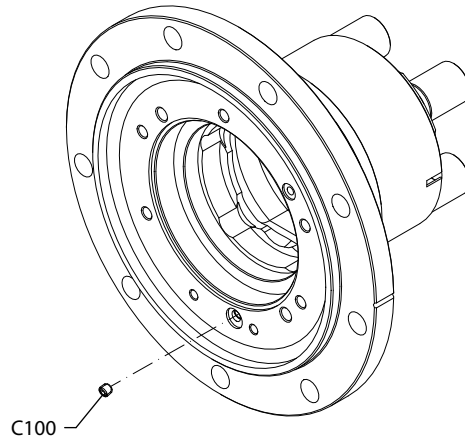
Group Letter: B

Order Code	Item	Date Begin	Date End	Part Number	Part Name	Qty. per Model/Kit
SAL	B100	26-09		1734074	SPOOL 2 SPEED TYPE	1
	B110	26-09		1745677	SPRING	1
	B200	26-09		J9005110-8700	PLUG ASSY-SOC HD, UNF-7/8-14	1
	B210	26-09		J9005110-5600	PLUG ASSY-SOC HD, UNF-9/16-18	1
	B300	26-09		HKW03	STEEL BALL 3/8 JISB1501	1
	B310	26-09		1746452	SEAT PLUG(4DIAMETER)	1
	B320	26-09		1746452	SEAT PLUG(4DIAMETER)	1
	B400	26-09		J9005110-5600	PLUG ASSY-SOC HD, UNF-9/16-18	1
	B410	26-09		J9005110-5600	PLUG ASSY-SOC HD, UNF-9/16-18	1
	B500	26-09		1735010	CONTROL PISTON 18dia_BMVT28/32	1
SBL	B100	26-09		1734074	SPOOL 2 SPEED TYPE	1
	B110	26-09		1745677	SPRING	1
	B200	26-09		J9005100-7500	PLUG ASSY-HEX HD, UNF-3/4-16	1
	B210	26-09		J9005110-5600	PLUG ASSY-SOC HD, UNF-9/16-18	1
	B300	26-09		HKW03	STEEL BALL 3/8 JISB1501	1
	B310	26-09		1746452	SEAT PLUG(4DIAMETER)	1
	B320	26-09		1746452	SEAT PLUG(4DIAMETER)	1
	B400	26-09		J9005110-5600	PLUG ASSY-SOC HD, UNF-9/16-18	1
	B410	26-09		J9005110-5600	PLUG ASSY-SOC HD, UNF-9/16-18	1
	B500	26-09		1735010	CONTROL PISTON 18dia_BMVT28/32	1

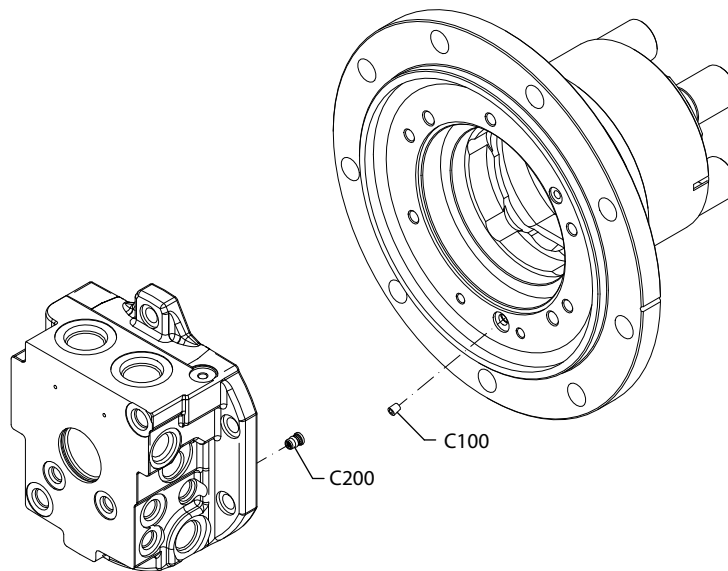
Orifices

Order code: 5N, 6N, 8N, 4W, 5W

Parts configuration



(Single: 5N, 6N, 8N)



(Twin: 4W, 5W)

P401052

 **Note**

Generic housing and endcap used to show part location only.

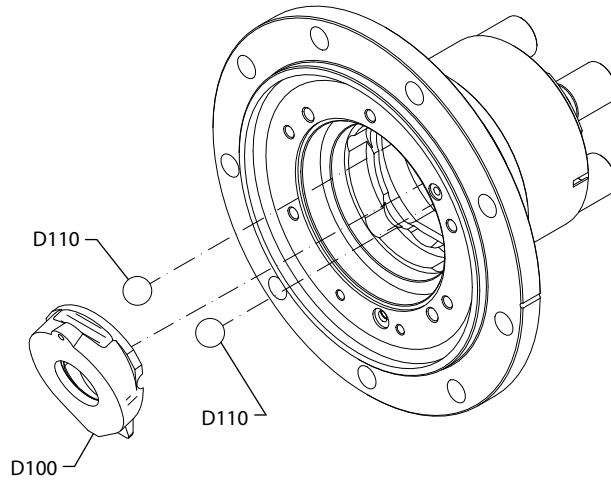
Group Letter: C

Order Code	Item	Date Begin	Date End	Part Number	Part Name	Qty. per Model/Kit
5N	C100	26-09		1845144-20	FIXED ORIFICE 0.5MM	1
6N	C100	26-09		1845144-1	FIXED ORIFICE 0.6MM	1
8N	C100	26-09		1845144-3	FIXED ORIFICE 0.8MM	1
4W	C100	26-09		11243677	FIXED ORIFICE 0.4MM	1
	C200	26-09		11244618	ASSY-ORIFICE-HAT, 0.4	1
5W	C100	26-09		1845144-20	FIXED ORIFICE 0.5MM	1
	C200	26-09		11271188	ASSY-ORIFICE-HAT, 0.5	1

Displacement

Order code: 65, 65L, 68, 68L

Parts configuration



P401053

 **Note**

Generic housing used to show part location only.

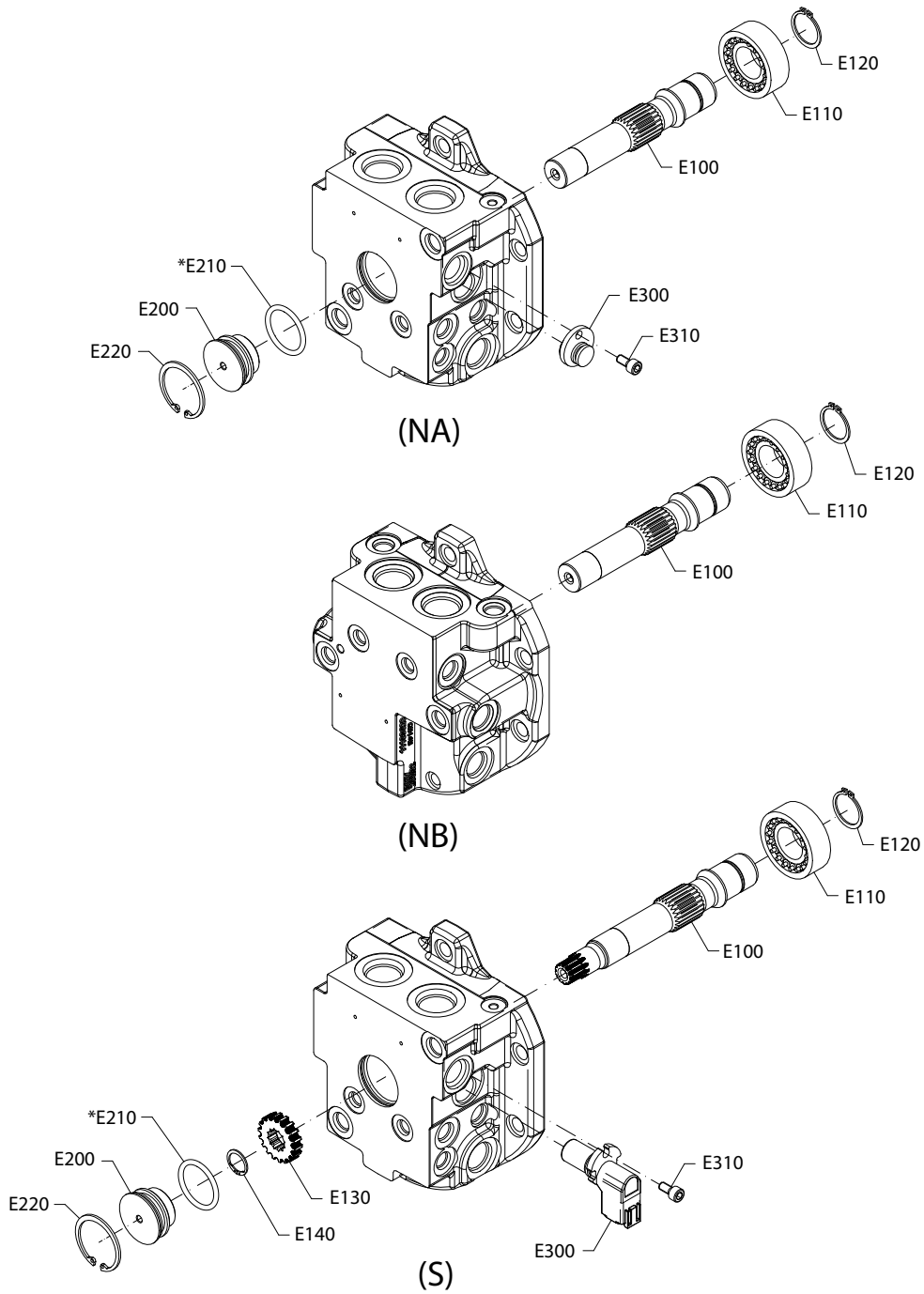
Group Letter: D

Order Code	Item	Date Begin	Date End	Part Number	Part Name	Qty. per Model/Kit
65	D100	26-09		11177033	SWASH PLATE 18/12DEG BMVT28/32	1
	D110	26-09		11243948	STEEL BALL-3/4, W/ HT	2
65L	D100	26-09		1715851-07	SWASH PLATE 18/12DEG BMVT28/32	1
	D110	26-09		11243948	STEEL BALL-3/4, W/ HT	2
68	D100	26-09		11182460	SWASH PLATE 18/12.5DEG BMVT28/32	1
	D110	26-09		11243948	STEEL BALL-3/4, W/ HT	2
68L	D100	26-09		1715851-02	SWASH PLATE 18/12.5DEG BMVT28/32	1
	D110	26-09		11243948	STEEL BALL-3/4, W/ HT	2

Speed Sensor

Order code: NA, NB, S

Parts configuration



P401054

 **Note**

Generic endcap used to show part location only.

* Included in overhaul seal kit Q210

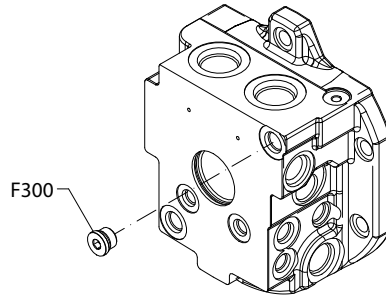
Group Letter: E

Order Code	Item	Date Begin	Date End	Part Number	Part Name	Qty. per Model/Kit
NA	E100	26-09		1723963	SHAFT	1
	E110	26-09		SP3152	BEARING-ROLLER	1
	E120	26-09		FBD025	RING-RTNG, EXT JISB2804 25x1.2	1
	E200	26-09		11354489	PLUG-BORE	1
	E210	26-09		KP1B032	O-RING P32 NBR90 JISB2401	1
	E220	26-09		FBE040	RETAINING RING FOR HOLE 40 JISB2804	1
	E300	26-09		11319819	PLUG-PPU H1 ASSY	1
	E310	26-09		503674	SCREW-SOC, ISO4762 M6x12 10.9	1
NB	E100	26-09		1723963	SHAFT	1
	E110	26-09		SP3152	BEARING-ROLLER	1
	E120	26-09		FBD025	RING-RTNG, EXT JISB2804 25x1.2	1
S	E100	26-09		11240982	SHAFT-W/SPEED-SENSOR, BMVT32	1
	E110	26-09		SP3152	BEARING-ROLLER	1
	E120	26-09		FBD025	RING-RTNG, EXT JISB2804 25x1.2	1
	E130	26-09		11315798	TARGET RING, 18T	1
	E140	26-09		11243989	RETAINING RING, ISTW-16	1
	E200	26-09		11354489	PLUG-BORE, BMVT	1
	E210	26-09		KP1B032	O-RING P32 NBR90 JISB2401	1
	E220	26-09		FBE040	RETAINING RING FOR HOLE 40 JISB2804	1
	E300	26-09		149055	SENSOR-SPEED+TEMP, 5V	1
	E310	26-09		503674	SCREW-SOC, ISO4762 M6x12 10.9	1
	E320	26-09		11184165	COVER-PAINT, DTM04-6P	1

Parking Brake

Order code: NA, NG

Parts configuration



(NA, NG)

P401055

 **Note**

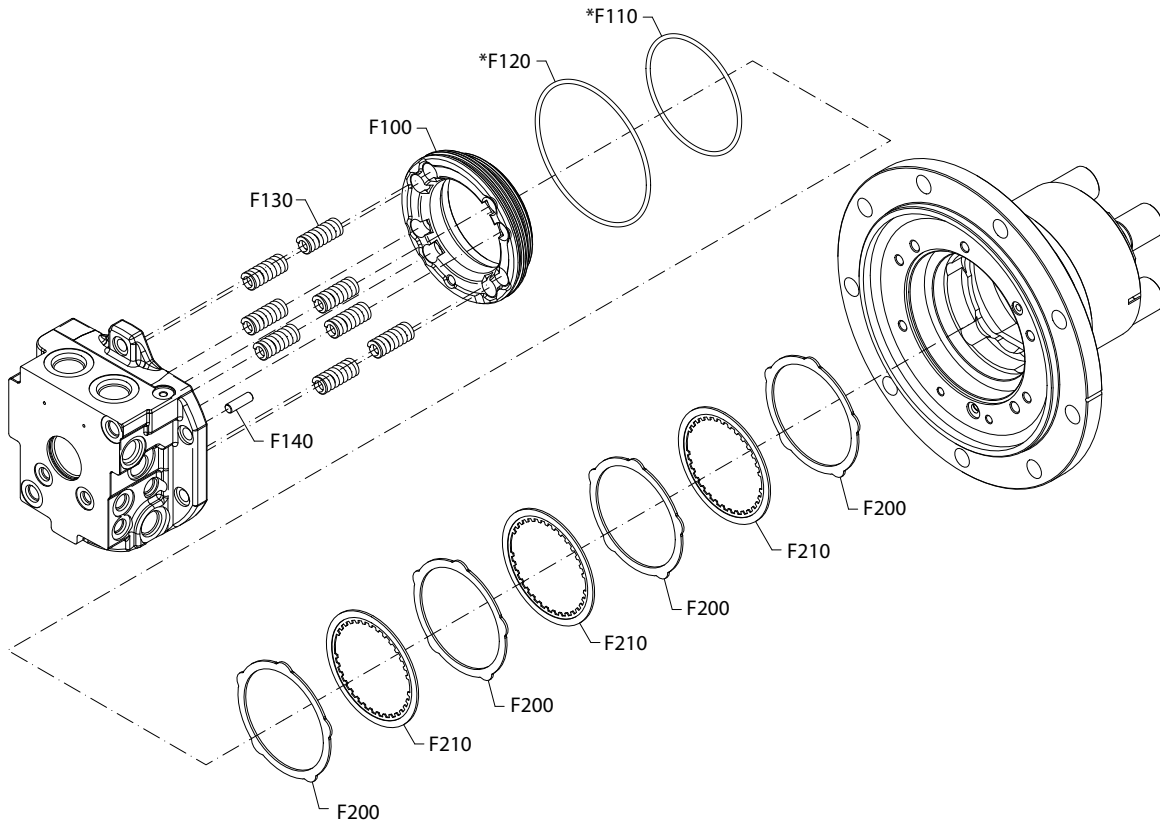
Generic endcap used to show part location only.

Group Letter: F

Order Code	Item	Date Begin	Date End	Part Number	Part Name	Qty. per Model/Kit
NA	F300	26-09		J9005110-5600	PLUG ASSY-SOC HD, UNF-9/16-18	1
NG	F300	26-09		HP11020-2-SA	HEX-SCREW-SOC HD ASSY,PLUG G1/4	1

Order code: BA, BG

Parts configuration



(BA, BG)

P401056

 Note

Generic housing and endcap used to show part location only.

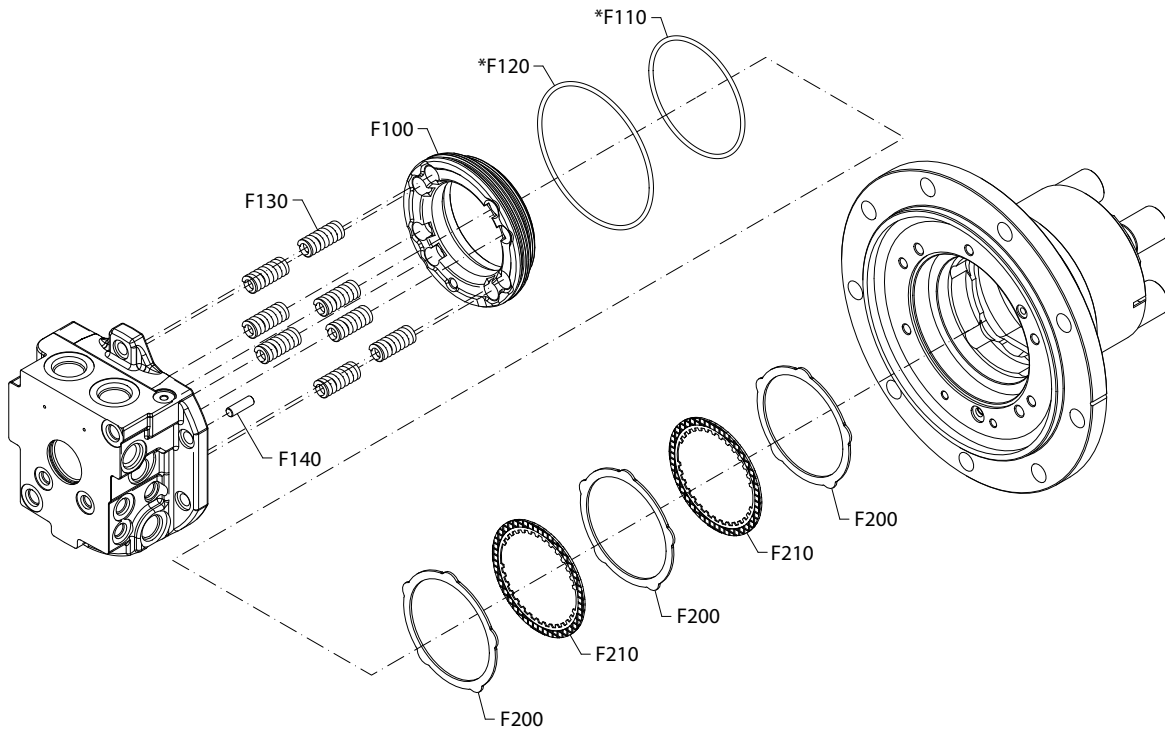
* Included in overhaul seal kit Q210

Group Letter: F

Order Code	Item	Date Begin	Date End	Part Number	Part Name	Qty. per Model/Kit
BA	F100	26-09		1723959-01	BRAKE PISTON	1
	F110	26-09		KA1B244	O-RING AS568-244 NBR90	1
	F120	26-09		KA1B250	O-RING AS568-250 NBR90	1
	F130	26-09		1746494	BRAKE SPRING	8
	F140	26-09		9004800-3116	PIN-STRAIGHT, ASMEB1882 0.3128x1.000	1
	F200	26-09		1735008	SEPARATE PLATE	4
	F210	26-09		SP3119	PLATE-FRICTION, BMVT28/32	3
BG	F100	26-09		1723959-01	BRAKE PISTON	1
	F110	26-09		KA1B244	O-RING AS568-244 NBR90	1
	F120	26-09		KA1B250	O-RING AS568-250 NBR90	1
	F130	26-09		1746494	BRAKE SPRING	8
	F140	26-09		9004800-3116	PIN-STRAIGHT, ASMEB1882 0.3128x1.000	1
	F200	26-09		1735008	SEPARATE PLATE	4
	F210	26-09		SP3119	PLATE-FRICTION, BMVT28/32	3

Order code: SA

Parts configuration



(SA)

P401057

 Note

Generic housing and endcap used to show part location only.

* Included in overhaul seal kit Q210

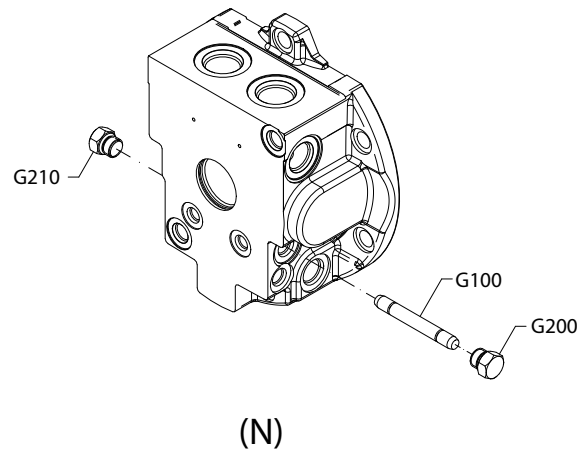
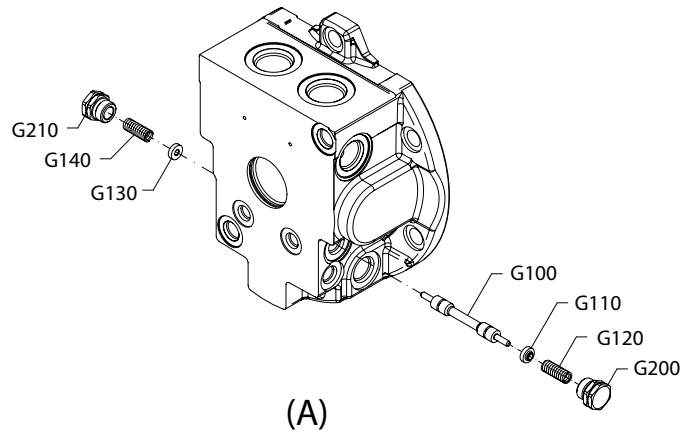
Group Letter: F

Order Code	Item	Date Begin	Date End	Part Number	Part Name	Qty. per Model/Kit
SA	F100	26-09		1723959-01	BRAKE PISTON	1
	F110	26-09		KA1B244	O-RING AS568-244 NBR90	1
	F120	26-09		KA1B250	O-RING AS568-250 NBR90	1
	F130	26-09		1746494	BRAKE SPRING	8
	F140	26-09		9004800-3116	PIN-STRAIGHT, ASMEB1882 0.3128x1.000	1
	F200	26-09		1735008	SEPARATE PLATE	3
	F210	26-09		11271179	PLATE-FRICTION, Hi-F, BMVT28/32	2

Loop Flushing Shuttle System

Order code: A, N

Parts configuration



P401076

 **Note**

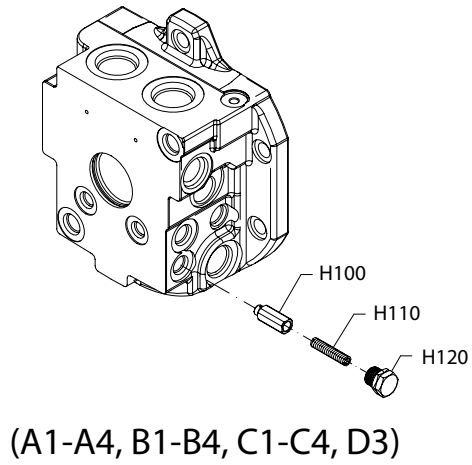
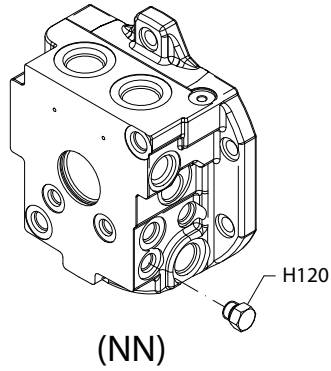
Generic endcap used to show part location only.

Group Letter: G

Order Code	Item	Date Begin	Date End	Part Number	Part Name	Qty. per Model/Kit
A	G100	26-09		11138733	SPOOL-SHUTTLE, 90/042-100	1
	G110	26-09		1041393	GUIDE	1
	G120	26-09		1041400	SPRING	1
	G130	26-09		1041393	GUIDE	1
	G140	26-09		1041400	SPRING	1
	G200	26-09		1030932-SA	PLUG ASSY	1
	G210	26-09		1030932-SA	PLUG ASSY	1
N	G100	26-09		1041421	BLIND SPOOL	1
	G200	26-09		J9005100-5600	PLUG ASSY-HEX HD, UNF-9/16-18	1
	G210	26-09		J9005100-5600	PLUG ASSY-HEX HD, UNF-9/16-18	1

Order code: NN, A1-A4, B1-B4, C1-C4, D3

Parts configuration



P401059

 **Note**

Generic endcap used to show part location only.

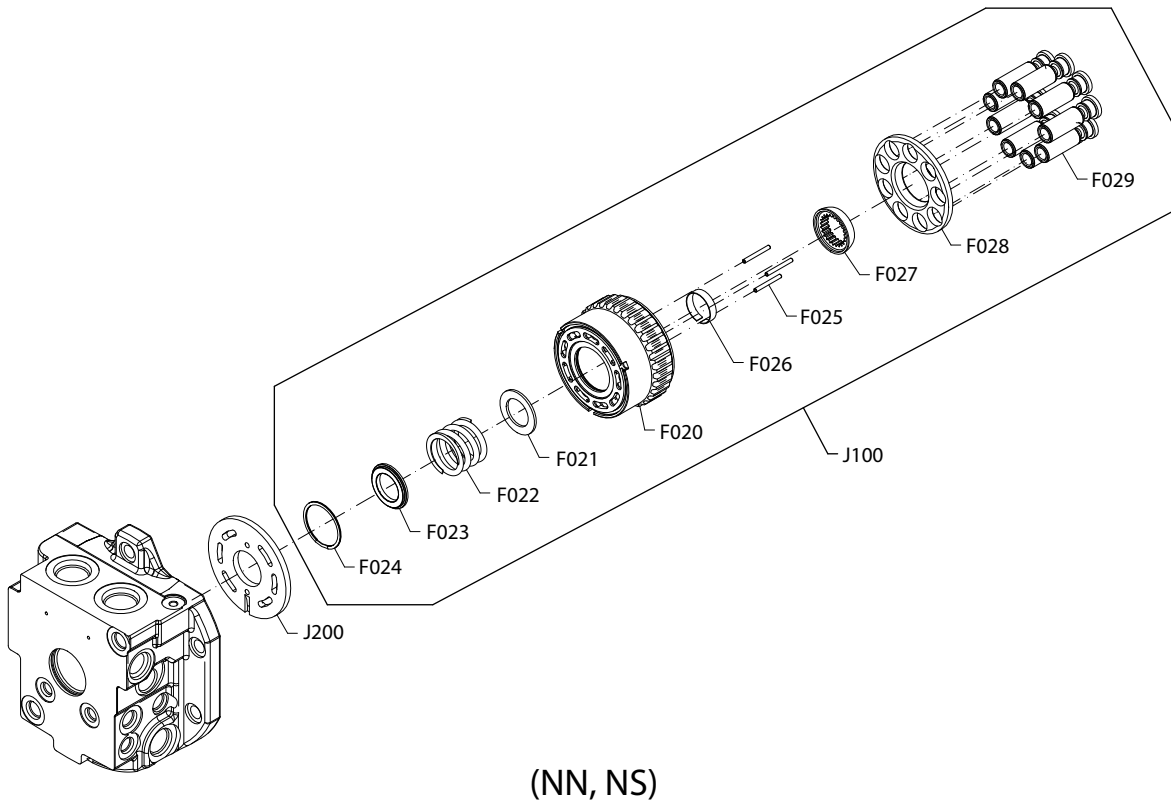
Group Letter: H

Order Code	Item	Date Begin	Date End	Part Number	Part Name	Qty. per Model/Kit
NN	H120	26-09		J9005100-5000	PLUG ASSY-HEX HD, UNF-1/2-20	1
A1	H100	26-09		1733723	POPPET-RELIEF VALVE 1.2X2	1
	H110	26-09		11072700	SPRING LOOP FLUSHING	1
	H120	26-09		4800280	PLUG ASSY-LP FL RELIEF, 42P	1
A2	H100	26-09		1735195	POPPET-RELIEF VALVE, 2X1.397 ORF OPT #3	1
	H110	26-09		11072700	SPRING LOOP FLUSHING	1
	H120	26-09		4800280	PLUG ASSY-LP FL RELIEF, 42P	1
A3	H100	26-09		11079919	POPPET-RELIEF VALVE 1.3X3	1
	H110	26-09		11072700	SPRING LOOP FLUSHING	1
	H120	26-09		4800280	PLUG ASSY-LP FL RELIEF, 42P	1
A4	H100	26-09		11103874	POPPET-RELIEF VALVE 1.4X3	1
	H110	26-09		11072700	SPRING LOOP FLUSHING	1
	H120	26-09		4800280	PLUG ASSY-LP FL RELIEF, 42P	1
B1	H100	26-09		1733723	POPPET-RELIEF VALVE 1.2X2	1
	H110	26-09		11101625	SPRING LOOP FLUSHING	1
	H120	26-09		4800280	PLUG ASSY-LP FL RELIEF, 42P	1
B2	H100	26-09		1735195	POPPET-RELIEF VALVE, 2X1.397 ORF OPT #3	1
	H110	26-09		11101625	SPRING LOOP FLUSHING	1
	H120	26-09		4800280	PLUG ASSY-LP FL RELIEF, 42P	1
B3	H100	26-09		11079919	POPPET-RELIEF VALVE 1.3X3	1
	H110	26-09		11101625	SPRING LOOP FLUSHING	1
	H120	26-09		4800280	PLUG ASSY-LP FL RELIEF, 42P	1
B4	H100	26-09		11103874	POPPET-RELIEF VALVE 1.4X3	1
	H110	26-09		11101625	SPRING LOOP FLUSHING	1
	H120	26-09		4800280	PLUG ASSY-LP FL RELIEF, 42P	1
C1	H100	26-09		1733723	POPPET-RELIEF VALVE 1.2X2	1
	H110	26-09		1745318	SPRING LOOP FLUSHING	1
	H120	26-09		4800280	PLUG ASSY-LP FL RELIEF, 42P	1
C2	H100	26-09		1735195	POPPET-RELIEF VALVE 1.2X2	1
	H110	26-09		1745318	SPRING LOOP FLUSHING	1
	H120	26-09		4800280	PLUG ASSY-LP FL RELIEF, 42P	1
C3	H100	26-09		11079919	POPPET-RELIEF VALVE 1.3X3	1
	H110	26-09		1745318	SPRING LOOP FLUSHING	1
	H120	26-09		4800280	PLUG ASSY-LP FL RELIEF, 42P	1
C4	H100	26-09		11103874	POPPET-RELIEF VALVE 1.4X3	1
	H110	26-09		1745318	SPRING LOOP FLUSHING	1
	H120	26-09		4800280	PLUG ASSY-LP FL RELIEF, 42P	1
D3	H100	26-09		11305793	POPPET-RELIEF VALVE 1.3X3	1
	H110	26-09		11271189	SPRING LOOP FLUSHING	1
	H120	26-09		4800280	PLUG ASSY-LP FL RELIEF, 42P	1

Special Hardware

Order code: NN, NS

Parts configuration



P401060

 **Note**

Generic endcap used to show part location only.

Group Letter: J (BMV 28)

Order Code	Item	Date Begin	Date End	Part Number	Part Name	Qty. per Model/Kit
NN	J100	26-09		1735071-02	CYLINDER BLOCK KIT BMVT28	1
	J200	26-09		1723064	VALVE PLATE PV2828	1

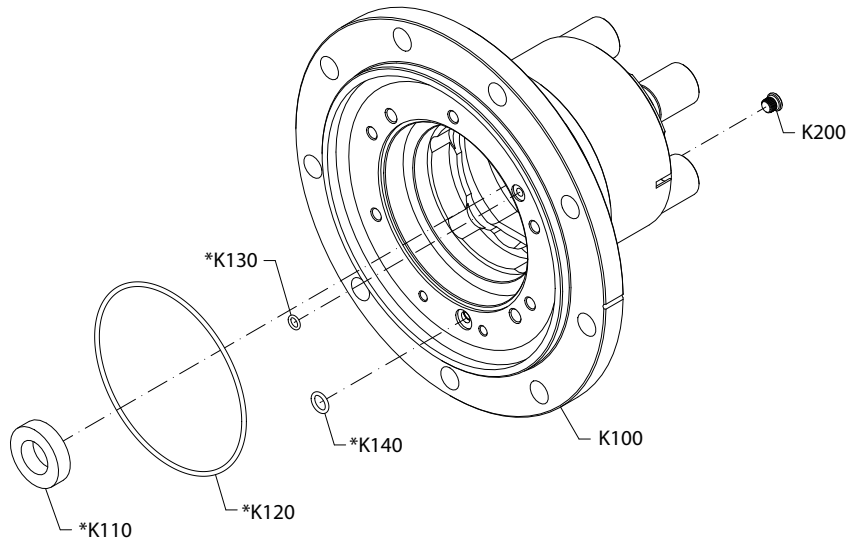
Group Letter: J (BMV 32)

NN	J100	26-09		1735071-01	CYLINDER BLOCK KIT BMVT32	1
	J200	26-09		1723064	VALVE PLATE PV2828	1
NS	J100	26-09		11271198	CYLINDER-BLOCK-KIT, BMVT32	1
	J200	26-09		1723064	VALVE PLATE PV2828	1

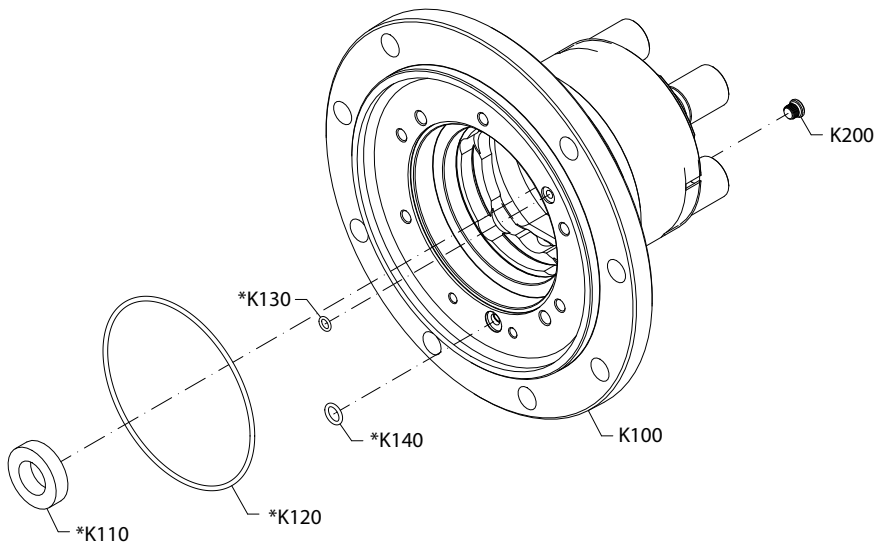
Mounting Flange

Ordr code: M1, M2

Parts configuration



(M1)



(M2)

* Included in overhaul seal kit Q210

P401061

Group Letter: K (BMV 28)

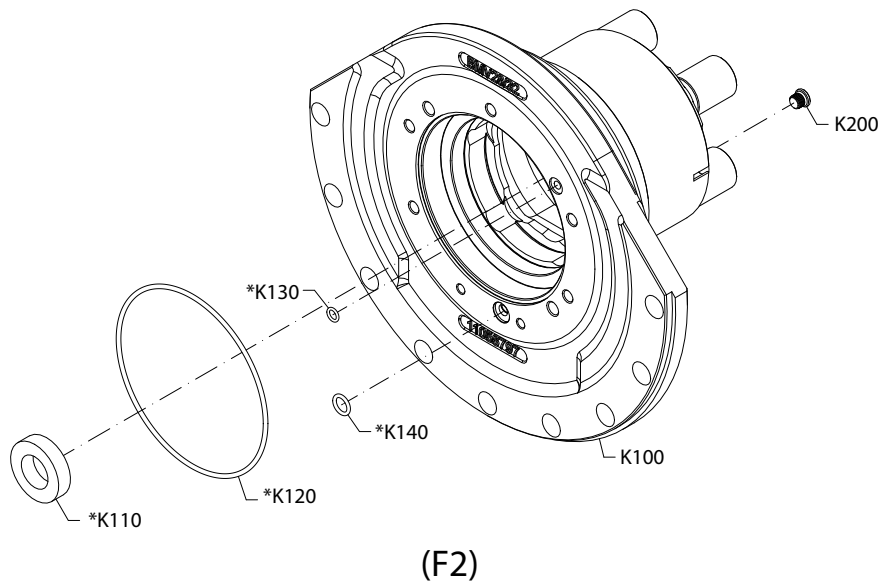
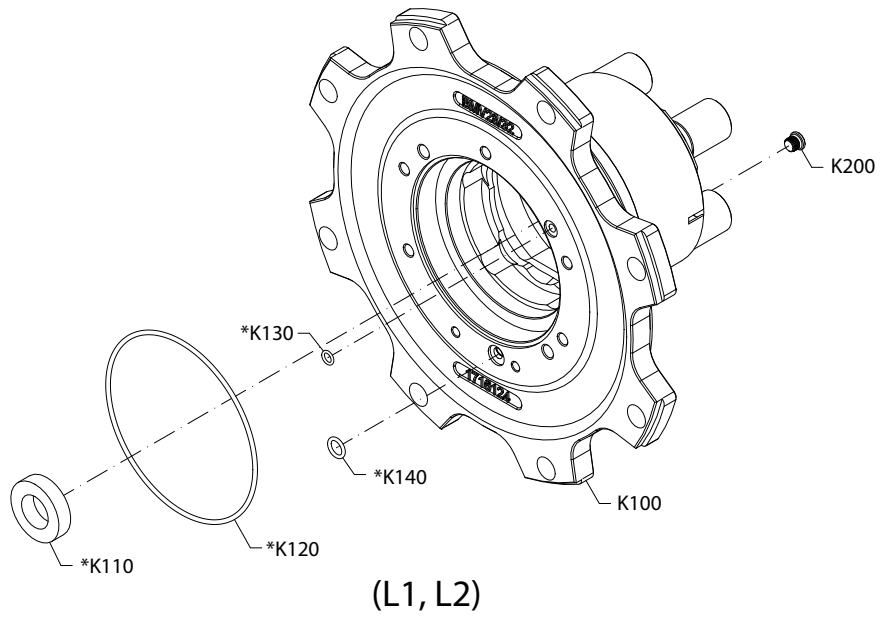
Order Code	Item	Date Begin	Date End	Part Number	Part Name	Qty. per Model/Kit
M1	K100	26-09		11192778	HOUSING, BMVT28	1
	K110	26-09		11075290	OIL SEAL TCN25X45X11(viton)	1
	K120	26-09		KG1B135	O-RING G135 NBR90 JISB2401	1
	K130	26-09		KP1B009	O-RING 8,8X1,9 N-NBR90/HMS101	1
	K140	26-09		KP1B011	O-RING P11 NBR90 JISB2401	1
	K200	26-09		1744424	PLUG ASSY 3/8-24UNF	1
M2	K100	26-09		11299319	HOUSING, ROUND-FLG-MID, BMVT28	1
	K110	26-09		11075290	OIL SEAL TCN25X45X11(viton)	1
	K120	26-09		KG1B135	O-RING G135 NBR90 JISB2401	1
	K130	26-09		KP1B009	O-RING 8,8X1,9 N-NBR90/HMS101	1
	K140	26-09		KP1B011	O-RING P11 NBR90 JISB2401	1
	K200	26-09		1744424	PLUG ASSY 3/8-24UNF	1

Group Letter: K (BMV 32)

M1	K100	26-09		11164109	HOUSING, BMVT32, MID-ROUND-FLG	1
	K110	26-09		11075290	OIL SEAL TCN25X45X11(viton)	1
	K120	26-09		KG1B135	O-RING G135 NBR90 JISB2401	1
	K130	26-09		KP1B009	O-RING 8,8X1,9 N-NBR90/HMS101	1
	K140	26-09		KP1B011	O-RING P11 NBR90 JISB2401	1
	K200	26-09		1744424	PLUG ASSY 3/8-24UNF	1
M2	K100	26-09		11271195	HOUSING, ROUND-FLG-MID, BMVT32	1
	K110	26-09		11075290	OIL SEAL TCN25X45X11(viton)	1
	K120	26-09		KG1B135	O-RING G135 NBR90 JISB2401	1
	K130	26-09		KP1B009	O-RING 8,8X1,9 N-NBR90/HMS101	1
	K140	26-09		KP1B011	O-RING P11 NBR90 JISB2401	1
	K200	26-09		1744424	PLUG ASSY 3/8-24UNF	1

Order code: L1, L2, F2

Parts configuration



P401062

* Included in overhaul seal kit Q210

Group Letter: K (BMV 28)

Order Code	Item	Date Begin	Date End	Part Number	Part Name	Qty. per Model/Kit
L1	K100	26-09		1716124-02	HOUSING BMVT32	1
	K110	26-09		11075290	OIL SEAL TCN25X45X11(viton)	1
	K120	26-09		KG1B135	O-RING G135 NBR90 JISB2401	1
	K130	26-09		KP1B009	O-RING 8,8X1,9 N-NBR90/HMS101	1
	K140	26-09		KP1B011	O-RING P11 NBR90 JISB2401	1
	K200	26-09		1744424	PLUG ASSY 3/8-24UNF	1
F2	K100	26-09		11174975	HOUSING, SECTOR-FLG, BMV28/32	1
	K110	26-09		11075290	OIL SEAL TCN25X45X11(viton)	1
	K120	26-09		KG1B135	O-RING G135 NBR90 JISB2401	1
	K130	26-09		KP1B009	O-RING 8,8X1,9 N-NBR90/HMS101	1
	K140	26-09		KP1B011	O-RING P11 NBR90 JISB2401	1
	K200	26-09		1744424	PLUG ASSY 3/8-24UNF	1

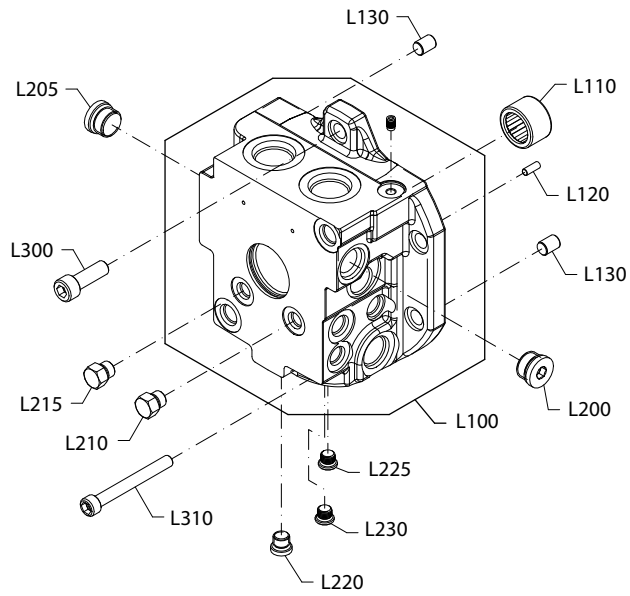
Group Letter: K (BMV 32)

L1	K100	26-09		1716124-02	HOUSING BMVT32	1
	K110	26-09		11075290	OIL SEAL TCN25X45X11(viton)	1
	K120	26-09		KG1B135	O-RING G135 NBR90 JISB2401	1
	K130	26-09		KP1B009	O-RING 8,8X1,9 N-NBR90/HMS101	1
	K140	26-09		KP1B011	O-RING P11 NBR90 JISB2401	1
	K200	26-09		1744424	PLUG ASSY 3/8-24UNF	1
L2	K100	26-09		11192224	HOUSING, BMVT32	1
	K110	26-09		11075290	OIL SEAL TCN25X45X11(viton)	1
	K120	26-09		KG1B135	O-RING G135 NBR90 JISB2401	1
	K130	26-09		KP1B009	O-RING 8,8X1,9 N-NBR90/HMS101	1
	K140	26-09		KP1B011	O-RING P11 NBR90 JISB2401	1
	K200	26-09		1744424	PLUG ASSY 3/8-24UNF	1
F2	K100	26-09		11174975	HOUSING, SECTOR-FLG, BMV28/32	1
	K110	26-09		11075290	OIL SEAL TCN25X45X11(viton)	1
	K120	26-09		KG1B135	O-RING G135 NBR90 JISB2401	1
	K130	26-09		KP1B009	O-RING 8,8X1,9 N-NBR90/HMS101	1
	K140	26-09		KP1B011	O-RING P11 NBR90 JISB2401	1
	K200	26-09		1744424	PLUG ASSY 3/8-24UNF	1

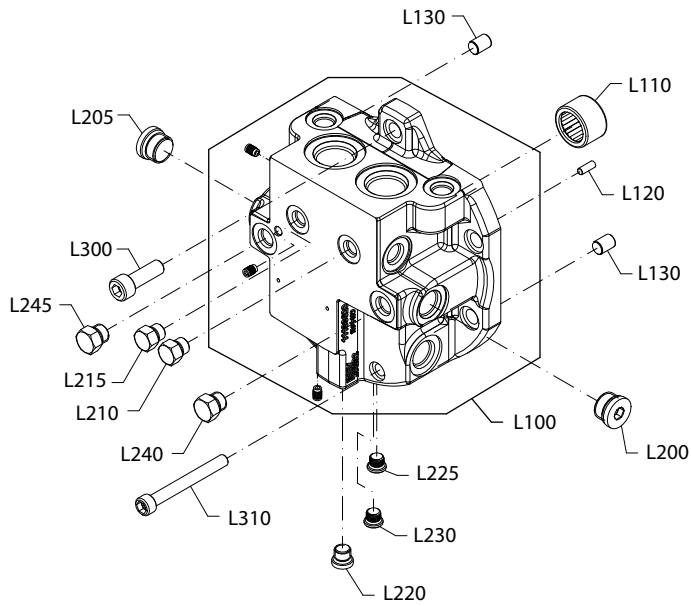
Endcap Ports

Order code: RA, RB

Parts configuration



(RA)



(RB)

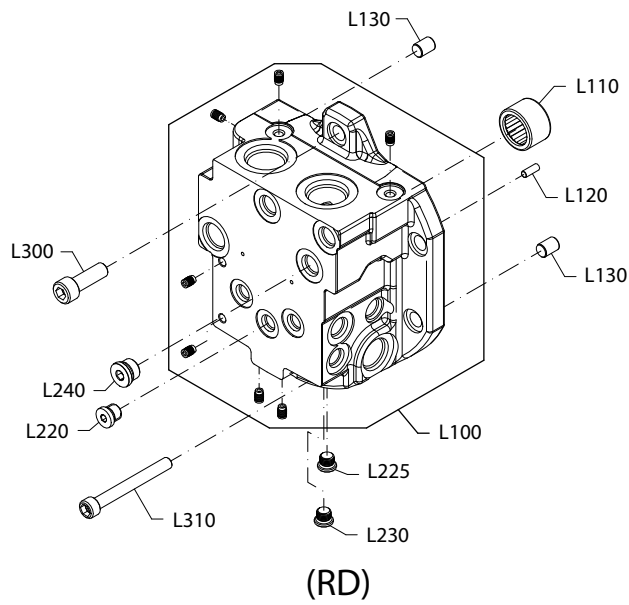
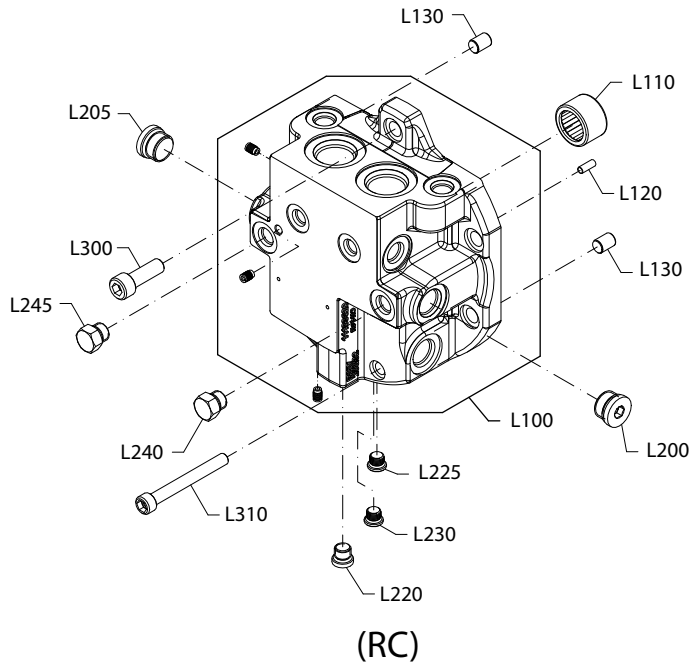
P401063

Group Letter: L

Order Code	Item	Date Begin	Date End	Part Number	Part Name	Qty. per Model/Kit
RA	L100	26-09		11366490	ENDCAP ASSY, UN-RAD, W/ SSNSR, BMV28/32	1
	L110	26-09		11060624	BEARING-NEEDLE, .875 X 1.187 X .750	1
	L120	26-09		9004800-1908	PIN-STRAIGHT, ASMEB1882 0.1878x0.500	1
	L130	26-09		9004800-3708	PIN-STRAIGHT, ASMEB1882 0.3753x0.500	2
	L200	26-09		J9005110-7500	PLUG ASSY-SOC HD, UNF-3/4-16	1
	L205	26-09		J9005110-7500	PLUG ASSY-SOC HD, UNF-3/4-16	1
	L210	26-09		9005100-4400	PLUG ASSY-HEX, SAEJ514 0.4375-20 NBR90	1
	L215	26-09		9005100-4400	PLUG ASSY-HEX, SAEJ514 0.4375-20 NBR90	1
	L220	26-09		9005110-4400	PLUG ASSY-SOC, 0.4375-20 9005110 (SAE)	1
	L225	26-09		1744424	PLUG ASSY 3/8-24UNF	1
	L230	26-09		1744424	PLUG ASSY 3/8-24UNF	1
	L300	26-09		AAM1003001	SCREW-SOC HD,M10X30 JISB1176	5
	L310	26-09		AAM0807001	SCREW-SOC HD,M8X70 JISB1176	2
	RB	L100	26-09		11366495	ENDCAP ASSY, UN-RAD, W/O SSNSR, BMV28/32
L110		26-09		11060624	BEARING-NEEDLE, .875 X 1.187 X .750	1
L120		26-09		9004800-1908	PIN-STRAIGHT, ASMEB1882 0.1878x0.500	1
L130		26-09		9004800-3708	PIN-STRAIGHT, ASMEB1882 0.3753x0.500	2
L200		26-09		J9005110-7500	PLUG ASSY-SOC HD, UNF-3/4-16	1
L205		26-09		J9005110-7500	PLUG ASSY-SOC HD, UNF-3/4-16	1
L210		26-09		9005100-4400	PLUG ASSY-HEX, SAEJ514 0.4375-20 NBR90	1
L215		26-09		9005100-4400	PLUG ASSY-HEX, SAEJ514 0.4375-20 NBR90	1
L220		26-09		9005110-4400	PLUG ASSY-SOC, 0.4375-20 9005110 (SAE)	1
L225		26-09		1744424	PLUG ASSY 3/8-24UNF	1
L230		26-09		1744424	PLUG ASSY 3/8-24UNF	1
L240		26-09		J9005100-5000	PLUG ASSY-HEX HD, UNF-1/2-20	1
L245		26-09		J9005100-5000	PLUG ASSY-HEX HD, UNF-1/2-20	1
L300		26-09		AAM1003001	SCREW-SOC HD,M10X30 JISB1176	5
L310		26-09		AAM0807001	SCREW-SOC HD,M8X70 JISB1176	2

Order code: RC, RD

Parts configuration



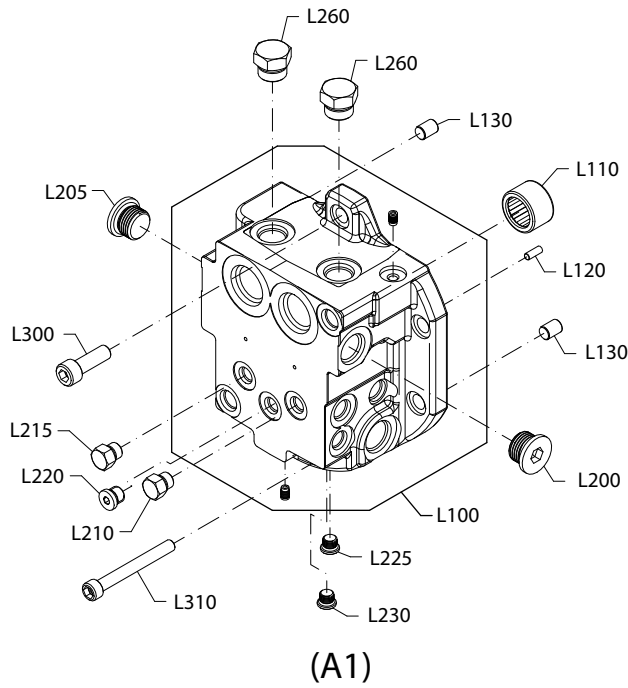
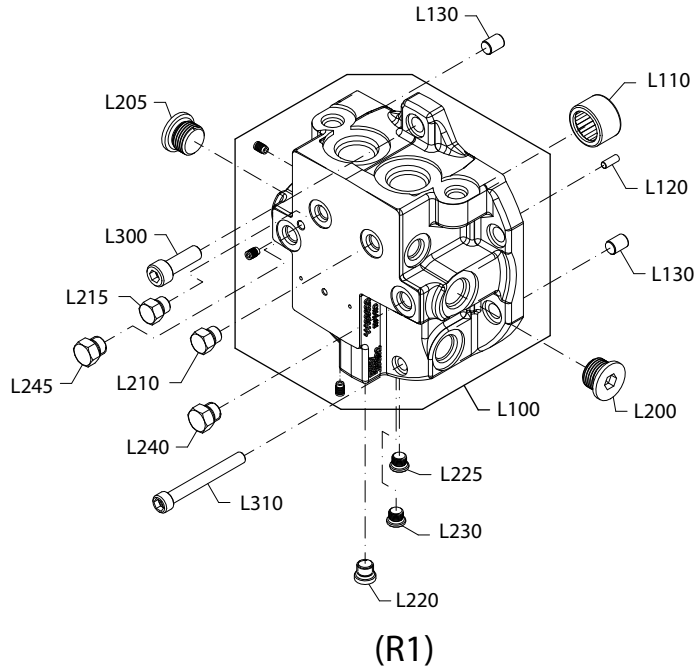
P401064

Group Letter: L

Order Code	Item	Date Begin	Date End	Part Number	Part Name	Qty. per Model/Kit
RC	L100	26-09		11366495	ENDCAP ASSY, UN-RAD, W/O SSNSR, BMV28/32	1
	L110	26-09		11060624	BEARING-NEEDLE, .875 X 1.187 X .750	1
	L120	26-09		9004800-1908	PIN-STRAIGHT, ASMEB1882 0.1878x0.500	1
	L130	26-09		9004800-3708	PIN-STRAIGHT, ASMEB1882 0.3753x0.500	2
	L200	26-09		J9005110-7500	PLUG ASSY-SOC HD, UNF-3/4-16	1
	L205	26-09		J9005110-7500	PLUG ASSY-SOC HD, UNF-3/4-16	1
	L220	26-09		9005110-4400	PLUG ASSY-SOC, 0.4375-20 9005110 (SAE)	1
	L225	26-09		1744424	PLUG ASSY 3/8-24UNF	1
	L230	26-09		1744424	PLUG ASSY 3/8-24UNF	1
	L240	26-09		J9005100-5000	PLUG ASSY-HEX HD, UNF-1/2-20	1
	L245	26-09		J9005100-5000	PLUG ASSY-HEX HD, UNF-1/2-20	1
	L300	26-09		AAM1003001	SCREW-SOC HD,M10X30 JISB1176	5
	L310	26-09		AAM0807001	SCREW-SOC HD,M8X70 JISB1176	2
	RD	L100	26-09		11366502	ENDCAP ASSY, UN-SPC, W/O SSNSR, BMV28/32
L110		26-09		11060624	BEARING-NEEDLE, .875 X 1.187 X .750	1
L120		26-09		9004800-1908	PIN-STRAIGHT, ASMEB1882 0.1878x0.500	1
L130		26-09		9004800-3708	PIN-STRAIGHT, ASMEB1882 0.3753x0.500	2
L220		26-09		9005110-4400	PLUG ASSY-SOC, 0.4375-20 9005110 (SAE)	1
L225		26-09		1744424	PLUG ASSY 3/8-24UNF	1
L230		26-09		1744424	PLUG ASSY 3/8-24UNF	1
L240		26-09		J9005110-5600	PLUG ASSY-SOC HD, UNF-9/16-18	1
L300		26-09		AAM1003001	SCREW-SOC HD,M10X30 JISB1176	5
L310		26-09		AAM0807001	SCREW-SOC HD,M8X70 JISB1176	2

Order code: R1, A1

Parts configuration



P401065

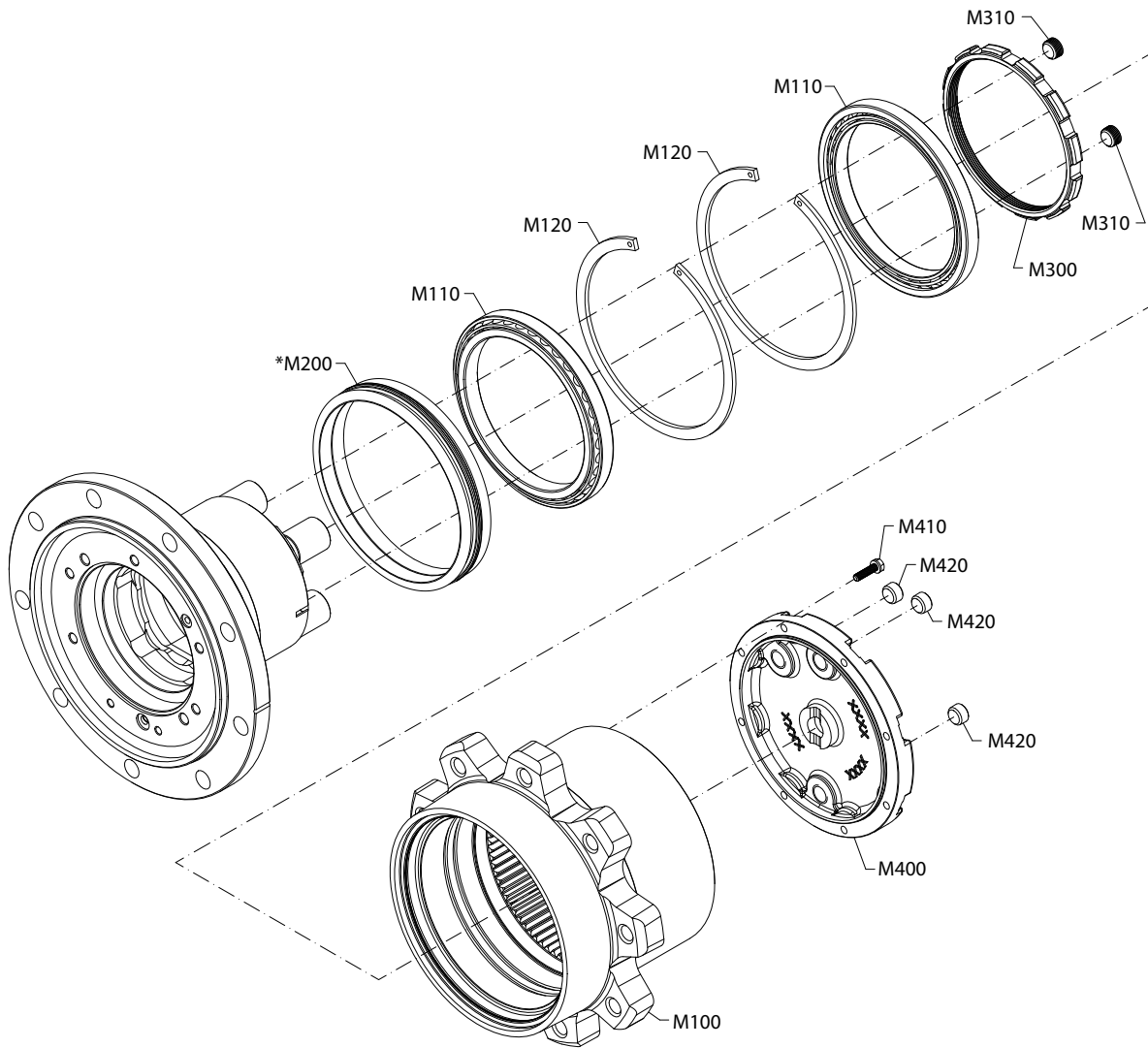
Group Letter: L

Order Code	Item	Date Begin	Date End	Part Number	Part Name	Qty. per Model/Kit
R1	L100	26-09		11366505	ENDCAP ASSY, G-RAD, W/O SSNSR, BMV28/32	1
	L110	26-09		11060624	BEARING-NEEDLE, .875 X 1.187 X .750	1
	L120	26-09		9004800-1908	PIN-STRAIGHT, ASMEB1882 0.1878x0.500	1
	L130	26-09		9004800-3708	PIN-STRAIGHT, ASMEB1882 0.3753x0.500	2
	L200	26-09		HP11020-4-SA	HEX-SCREW-SOC HD ASSY,PLUG G1/2	1
	L205	26-09		HP11020-4-SA	HEX-SCREW-SOC HD ASSY,PLUG G1/2	1
	L210	26-09		9005100-4400	PLUG ASSY-HEX, SAEJ514 0.4375-20 NBR90	1
	L215	26-09		9005100-4400	PLUG ASSY-HEX, SAEJ514 0.4375-20 NBR90	1
	L220	26-09		9005110-4400	PLUG ASSY-SOC, 0.4375-20 9005110 (SAE)	1
	L225	26-09		1744424	PLUG ASSY 3/8-24UNF	1
	L230	26-09		1744424	PLUG ASSY 3/8-24UNF	1
	L240	26-09		J9005100-5000	PLUG ASSY-HEX HD, UNF-1/2-20	1
	L245	26-09		J9005100-5000	PLUG ASSY-HEX HD, UNF-1/2-20	1
	L300	26-09		AAM1003001	SCREW-SOC HD,M10X30 JISB1176	5
	L310	26-09		AAM0807001	SCREW-SOC HD,M8X70 JISB1176	2
A1	L100	26-09		11366499	ENDCAP ASSY, G-AXL, W/O SSNSR, BMV28/32	1
	L110	26-09		11060624	BEARING-NEEDLE, .875 X 1.187 X .750	1
	L120	26-09		9004800-1908	PIN-STRAIGHT, ASMEB1882 0.1878x0.500	1
	L130	26-09		9004800-3708	PIN-STRAIGHT, ASMEB1882 0.3753x0.500	2
	L200	26-09		HP11020-4-SA	HEX-SCREW-SOC HD ASSY,PLUG G1/2	1
	L205	26-09		HP11020-4-SA	HEX-SCREW-SOC HD ASSY,PLUG G1/2	1
	L210	26-09		9005100-4400	PLUG ASSY-HEX, SAEJ514 0.4375-20 NBR90	1
	L215	26-09		9005100-4400	PLUG ASSY-HEX, SAEJ514 0.4375-20 NBR90	1
	L220	26-09		9005110-4400	PLUG ASSY-SOC, 0.4375-20 9005110 (SAE)	1
	L225	26-09		1744424	PLUG ASSY 3/8-24UNF	1
	L230	26-09		1744424	PLUG ASSY 3/8-24UNF	1
	L260	26-09		J9005100-7500	PLUG ASSY-HEX HD, UNF-3/4-16	2
	L300	26-09		AAM1003001	SCREW-SOC HD,M10X30 JISB1176	5
	L310	26-09		AAM0807001	SCREW-SOC HD,M8X70 JISB1176	2

Ring Gear / Floating Seal

Order code: NN, AN

Parts configuration



(NN, AN)

P401066

Note

Generic housing used to show part location only.

* Included in overhaul seal kit Q210

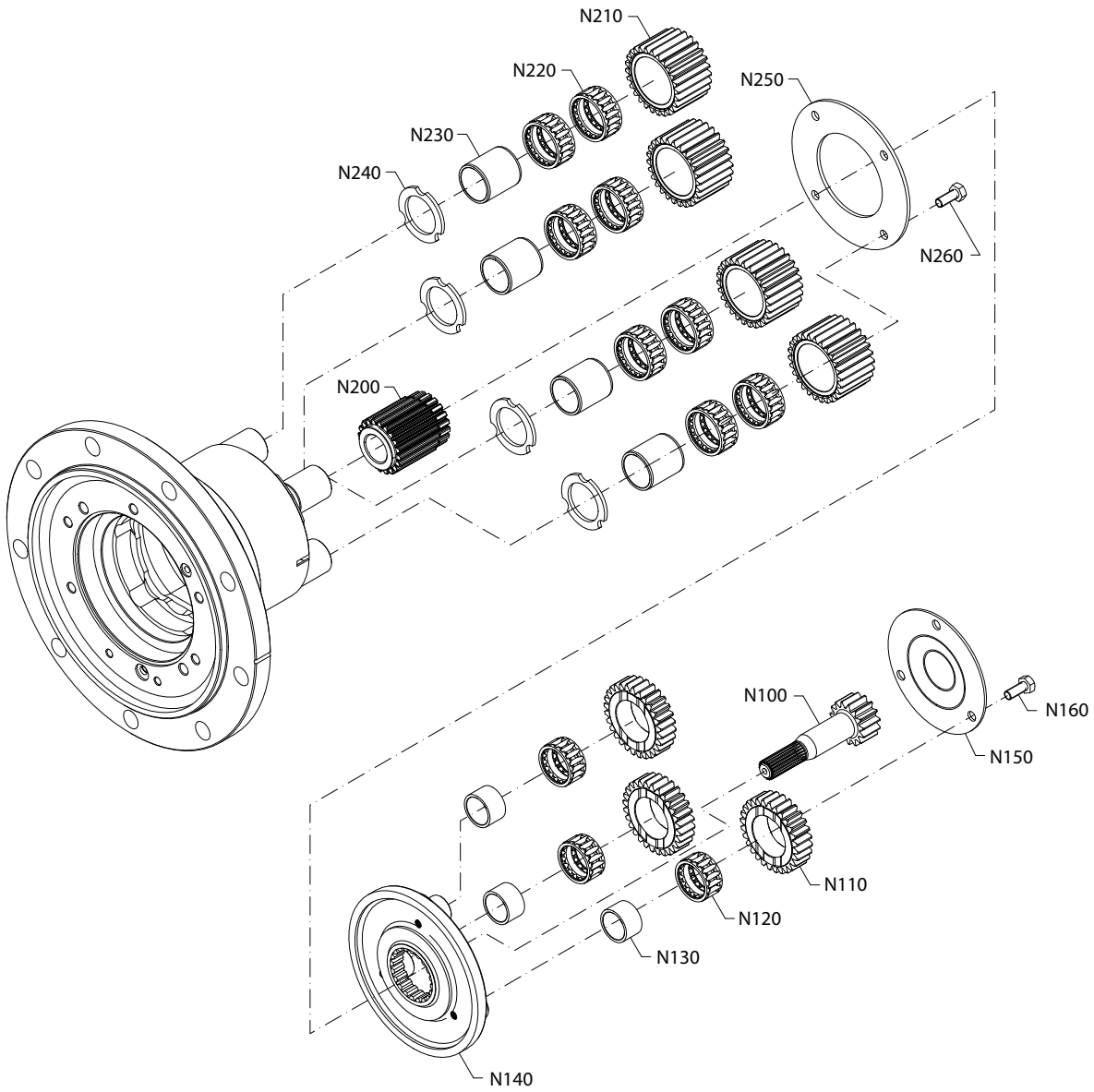
Group Letter: M

Order Code	Item	Date Begin	Date End	Part Number	Part Name	Qty. per Model/Kit
NN	M100	26-09		11050710	RING GEAR BMVT32 GEAR	1
	M110	26-09		DKP25-113	BEARING(ANGULAR BALL) BMVT32 GEAR	2
	M120	26-09		11072558	SNAP RING BMVT32 GEAR	2
	M200	26-09		DKP25-116	FLOATING SEAL(JS1650R) BMVT32 GEAR	1
	M300	26-09		11317701	NUT, GEARBOX, BMVT28/32	1
	M310	26-09		DBP03	T PLUG SOC O-RING PT3/8 TYPE GM	2
	M400	26-09		11317700	COVER, GEARBOX, BMVT28/32	1
	M410	26-09		11159951	SCREW-HEX WITH WASHER M6X25	8
	M420	26-09		DBP03-S	TAPERED PLUG SOC WITH S PT3/8 GM	3
AN	M100	26-09		11072560	GEAR RING BMVT32 GEAR	1
	M110	26-09		DKP25-113	BEARING(ANGULAR BALL) BMVT32 GEAR	2
	M120	26-09		11072558	SNAP RING BMVT32 GEAR	2
	M200	26-09		DKP25-116	FLOATING SEAL(JS1650R) BMVT32 GEAR	1
	M300	26-09		11317701	NUT, GEARBOX, BMVT28/32	1
	M310	26-09		DBP03	T PLUG SOC O-RING PT3/8 TYPE GM	2
	M400	26-09		11317700	COVER, GEARBOX, BMVT28/32	1
	M410	26-09		11159951	SCREW-HEX WITH WASHER M6X25	8
	M420	26-09		DBP03-S	TAPERED PLUG SOC WITH S PT3/8 GM	3

Reduction Gear Ratio

Order code: B

Parts configuration



(B)

P401067



Note

Generic housing used to show part location only.

Group Letter: N

Order Code	Item	Date Begin	Date End	Part Number	Part Name	Qty. per Model/Kit
B	N100	26-09		11072552	GEAR-SUN-1ST,BMVT28/32-25	1
	N110	26-09		11072553	GEAR PLANETARY 1ST, 1/25, BMVT28/32	3
	N120	26-09		11354696	NEEDLE-BRG, 1ST-PLANET, BMVT2832	3
	N130	26-09		11354706	INNER-RACE, 1ST-PLANET, BMVT2832	3
	N140	26-09		11060357	CARRIER, 1ST, BMV28/32	1
	N150	26-09		11072557	STOPPER PLATE(1st)-6.0mm BMVT32 GEAR	1
	N160	26-09		11072785	BOLT-HEXHEAD-MEC, M8x20, GEAR BMVT32	3
	N200	26-09		11072554	SUN GEAR, 2ND, BMV28/32	1
	N210	26-09		11072555	PLANET-GEAR-2ND, BMVT28/32	4
	N220	26-09		DKP25-115	BEARING NEEDLE (2ND) BMVT32 GEAR	8
	N230	26-09		DKP25-117	BEARING(INNER RACE (2ND) BMVT32 GEAR	4
	N240	26-09		11072559	WASHER BMVT32 GEAR	4
	N250	26-09		11072562	STOPPER PLATE BMVT32 GEAR	1
	N260	26-09		11072785	BOLT-HEXHEAD-MEC, M8x20, GEAR BMVT32	4

Overhaul seal kit

Order code: Q210

Seal kit

Order Code	Item	Date Begin	Date End	Part Number	Part Name	Qty. per Model/Kit
Q210	E210	26-09		KP1B032	O-RING P32 NBR90 JISB2401	1
	F110	26-09		KA1B244	O-RING AS568-244 NBR90	1
	F120	26-09		KA1B250	O-RING AS568-250 NBR90	1
	K110	26-09		11075290	OIL SEAL TCN25X45X11(viton)	1
	K120	26-09		KG1B135	O-RING G135 NBR90 JISB2401	1
	K130	26-09		KP1B009	O-RING 8,8X1,9 N-NBR90/HMS101	1
	K140	26-09		KP1B011	O-RING P11 NBR90 JISB2401	1
	M200	26-09		DKP25-116	FLOATING SEAL(JS1650R) BMVT32 GEAR	1



Hydro-Gear

www.hydro-gear.com

Daikin-Sauer-Danfoss

www.daikin-sauer-danfoss.com

Explore our solutions at danfoss.com.

Additional product literature is available at powersource.danfoss.com.

**Danfoss
Power Solutions (US) Company**
2800 East 13th Street
Ames, IA 50010, USA
Phone: +1 515 239 6000

**Danfoss
Power Solutions GmbH & Co. OHG**
Krokamp 35
D-24539 Neumünster, Germany
Phone: +49 4321 871 0

**Danfoss
Power Solutions ApS**
Nordborgvej 81
DK-6430 Nordborg, Denmark
Phone: +45 7488 2222

**Danfoss
Power Solutions Trading
(Shanghai) Co., Ltd.**
Building #22, No. 1000 Jin Hai Rd
Jin Qiao, Pudong New District
Shanghai, China 201206
Phone: +86 21 2080 6201

Danfoss can accept no responsibility for possible errors in catalogues, brochures and other printed material. Danfoss reserves the right to alter its products without notice. This also applies to products already on order provided that such alterations can be made without subsequent changes being necessary in specifications already agreed. All trademarks in this material are property of the respective companies. Danfoss and the Danfoss logotype are trademarks of Danfoss A/S. All rights reserved.