



# Solenoid valve

## EV225B

Servo diaphragm operated for steam applications

## Description

EV225B is a servo-operated 2/2-way solenoid valve for use in steam applications.

The design is based on a PTFE diaphragm concept, ensuring highly reliable function when used in connection with contaminated steam.

Each valve body is made of dezincification resistant brass and the valve seats are made of stainless steel.

This ensures a long life even in when used with highly aggressive steam.

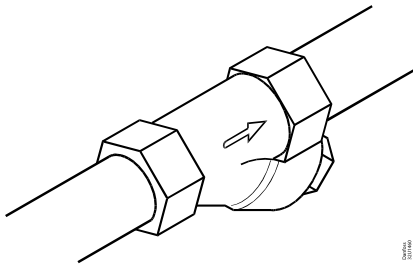
## Features & benefits

- Specifically designed for steam applications, 160 °C or 185 °C
- Clip on coil
- Ambient temperature: up to 40 °C
- Coil enclosure: up to IP65
- EV225B with BQ coil (AC): up to 185 °C
- EV225B with BN coil (AC): up to 160 °C
- EV225B with BN coil (DC): up to 140 °C
- EV225B used with BB coil
- Connection: ISO 228/1

## Applications

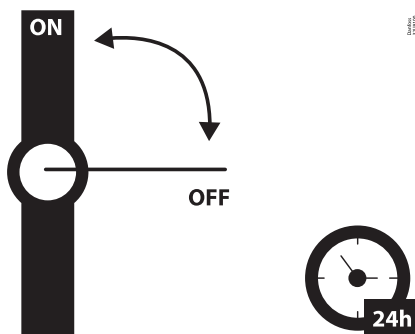
It is recommended to use a filter in front of the valve. Recommended filter 50 mesh (297 microns).

**Figure: Filter**



In water applications, exercise the valves at least once every 24 hours, meaning change the state of the valve. The valve exercise will minimize the risk of the valve sticking due to calcium carbonate, zinc or iron oxide build-up.

**Figure: Exercise: Valve on/of**



To minimize scaling, and corrosion attack it is recommended that the water passing the valve have the following values:

- Hardness 6 – 18 °dH to avoid scaling (chalk / limestone build up).
- Conductivity 50 – 800  $\mu\text{S} / \text{cm}$  to avoid brass dezincification and corrosion.
- Above 25 °C media temperature avoids stagnant water inside the valve to avoid dezincification and corrosion attack.

## Ordering

### Product code numbers

Table: DZR brass, valve body NC

ISO228/1 connection	Orifice	K <sub>v</sub> value	Seal material	Code no. without coil	Code number valve body with coil and power connector				
	[mm]	[m <sup>3</sup> /h]	PTFE		Coil type BQ024CS 24 V 60 Hz 24 V 50 Hz	Coil type BQ120BS 110-120 V 60 Hz	Coil type BQ240CS 208-240 V 60 Hz 230 V 50 Hz	Coil type BN024DS 24V DC	Coil type BQ22BS 220 V 60 Hz
G¼	6	0.9	PTFE	032U3802					
G¾	10	2.2		032U3803					
G½	10	2.2		032U3804		032U380420	032U380431	032U380402	032U380429
G½	15	3.0		032U3805			032U380531		032U380529
G¾	20	5.0		032U3806	032U380616		032U380631	032U380602	032U380629
G1	25	6.0		032U3807			032U380731	032U380702	032U380729




### Accessories code numbers

#### Coil type BQ AC Steam coil to 185 °C

Figure: Coil type BQ AC



Table: Coil type BQ AC Steam coil to 185 °C

Type	T <sub>ambient</sub>	Supply voltage	Voltage variation	Frequency	Power consumption		Approval	Code number
	[°C]	[V]		[Hz]	[W]	[VA]		
BQ024CS	-40 – 40	24	-15%, 10%	50	10	17		018F4517
		24		60	9.0	16		
BQ120BS	40 – 40	110 / 120	-15%, 6%	60	13.5	19		018F4519
BQ240CS	-40 – 40	230	-15%, 6%	50	10	17		018F4511
		208 / 240		60	9.5	16		
BQ220BS	-40 – 40	220	-15%, 6%	60	12	19		018F4520

#### Coil type BN DC Steam coils to 160 °C


Figure: Coil type BN DC



Table: Coil type BN DC Steam coils to 160 °C

Type	T <sub>ambient</sub>	Supply voltage	Voltage variation	Frequency	Power consumption		Approval	Code number
	[°C]	[V]		[Hz]	[W]	[VA]		



BN024DS	-40 – 50	24	±10%	DC	20			018F6968
---------	----------	----	------	----	----	--	---	----------

## Coil type BB AC Steam coils to 160 °C

Figure: Coil type BB AC



Table: Coil type BB AC Steam coils to 160 °C

Type	T <sub>ambient</sub>	Supply voltage [V]	Voltage variation	Frequency [Hz]	Power consumption		Code number
	[°C]				[W]	[VA]	
BB024AS	-40 – 80	24	-15%, 10%	50	11	19	018F7358
BB115AS	-40 – 50	115	-15%, 10%	50	11	19	018F7361
BB230AS	-40 – 80	220 / 230	-15%, 10%	50	11	19	018F7351
BB240AS	-40 – 80	240	-15%, 10%	50	11	19	018F7352
BB440CS	-40 – 80	400	±10%	50	14	24	018F7353
		440	±10%	60	15	24	
BB024BS	-40 – 80	24	-15%, 10%	60	14	23	018F7365
BB110CS	-40 – 50	110	±10%	50	15	28	018F7360
		110	±10%	60	13	22	
BB230CS	-40 – 50	220 / 230	±10%	60	13	24	018F7363
		220 / 230	±10%	50	16	31	

Table: Type BB DC Steam coils to 140 °C

Type	T <sub>ambient</sub>	Supply voltage [V]	Voltage variation	Frequency [Hz]	Power consumption		Code number
	[°C]				[W]	[VA]	
BB012DS	-40 – 50	12	±10%	DC	14	–	018F7396
BB024DS	-40 – 50	24	±10%	DC	16	–	018F7397

Figure: Cable plug



Table: Cable plug

Cable plug size	Description	Code number
DIN 18	Cable plug IP67	042N1256

### Universal electronic multi-timer, Type ET 20 M

Figure: Type ET 20 M



Table: Universal electronic multi-timer, Type ET 20 M

Type	Voltage	Suitable for coil types	Code number
	[V]		
BA024A	24 – 240	AL, AM, AS, AZ, BA, BD, BB	042N0185

### Spare parts code numbers

Table: Actuator/diaphragm kit

Type	Actuator/diaphragm kit	
	Sealing	
	PTFE	
EV225B 6 – 10	032U3171	
EV225B 15	032U3172	
EV225B 20 – 25	032U3173	
	<p>1. Armature with valve plate and spring                  2. Closing spring                  3. Diaphragm                  4. O-ring</p>	

## Overview

### Product portfolio

Table: Portfolio overview

Features	EV225B		
			
Body material	DZR brass	DZR brass	DZR brass
DN [mm]	6-25	10-25	10-25
Connection	G1/4" - G1"	G1/2"-G1"	G1/2"-G1"
Sealing material	PTFE	PTFE	PTFE
Function	NC	NC	NC
Kv [m <sup>3</sup> /h]	0.9 - 6.0	2.2 - 6.0	2.2 - 6.0
Differential pressure range [bar]	0.2 - 10	0.2-10	0.2 - 5
Temperature range [°C]	0 - 185	0 - 185	0 - 160

## Functions

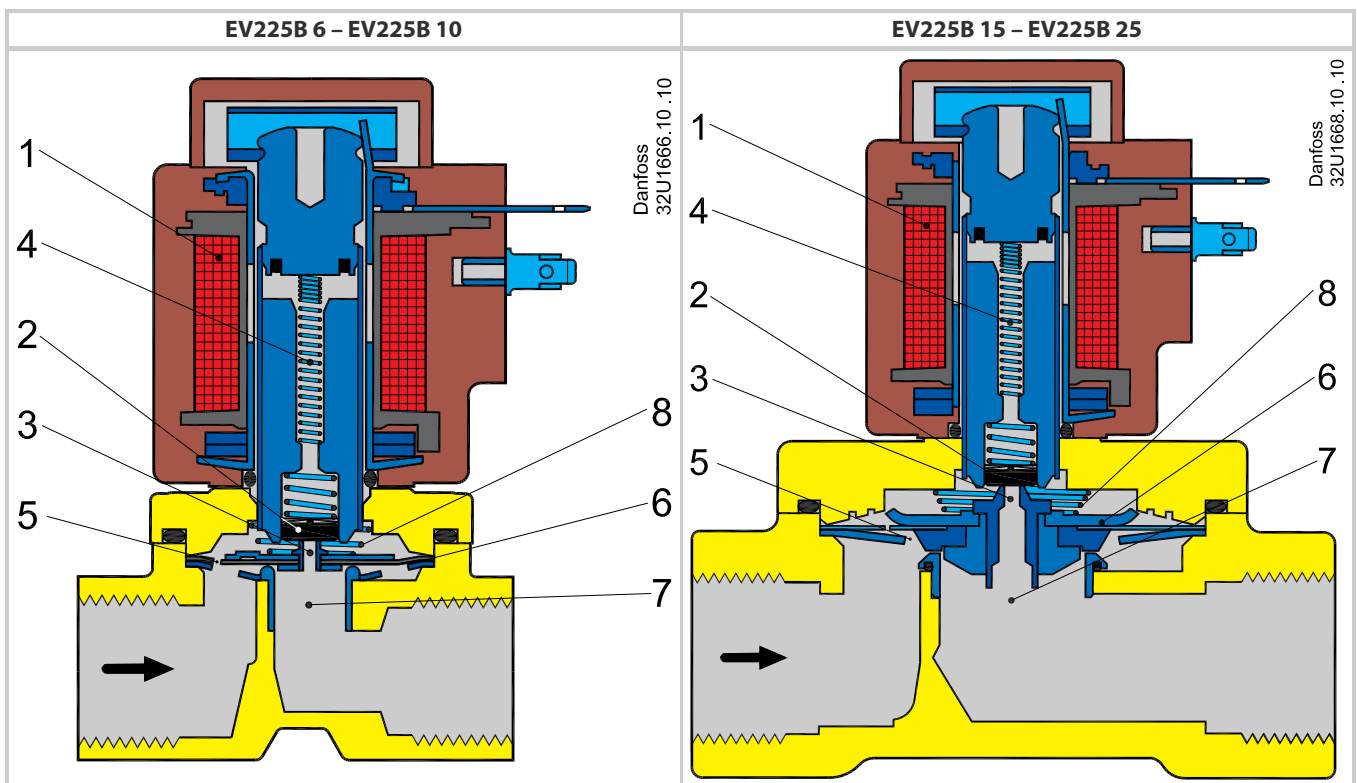
### Function NC

#### Coil voltage disconnected (closed)

When the voltage is disconnected, the valve plate (2) is pressed down against the pilot orifice (3) by the armature spring (4). The pressure across the diaphragm (6) is built up via the equalizing orifice (5). The diaphragm/piston closes the main orifice (7) as soon as the pressure across the diaphragm/piston is equivalent to the inlet pressure. The valve will be closed for as long as the voltage to the coil is disconnected.

#### Coil voltage connected (open)

When voltage is applied to the coil (1), the pilot orifice (3) is opened. As the pilot orifice is larger than the equalizing orifice (5), the pressure across the diaphragm (6) drops and therefore it is lifted clear of the main orifice (7). The valve is now open for unimpeded flow and will be open for as long as the minimum differential pressure across the valve is maintained, and for as long as there is voltage to the coil.



1.	Coil
2.	Valve plate
3.	Pilot orifice
4.	Armature spring
5.	Equalizing orifice
6.	Diaphragm
7.	Main orifice
8.	Closing spring

## Product details

### General data

**Table: Technical data**

Media	PTFE	Steam 160°C or 185°C
Media temperature (Depending on which type of coil you used)	AC coil	0 – 185°C
	DC coil	0 – 160°C
Ambient temperature	Max. 40 °C at a medium temperature of 185 °C	
K <sub>v</sub> value	DN6	0.9 m <sup>3</sup> /h
	DN10	2.2 m <sup>3</sup> /h
	DN15	3.0 m <sup>3</sup> /h
	DN20	5.0 m <sup>3</sup> /h
	DN25	6.0 m <sup>3</sup> /h
Min. Opening differential pressure	0.2 bar	
Max. Opening differential pressure	Up to 10 bar	
Max. working pressure	Up to 10 bar (Equal to max. differential pressure)	
Max. test pressure	25 bar (JL 429: 24.1 bar)	
Viscosity	Max. 50 cSt	

**Table: Time to open/close**

Main type	EV225B 6 – EV225B 25
Time to open [ms] <sup>(1)</sup>	Max. 0.2 s
Time to close [ms] <sup>(1)</sup>	Max. 0.2 s

<sup>(1)</sup>The times are indicative. The exact times will depend on the pressure conditions.

### Materials

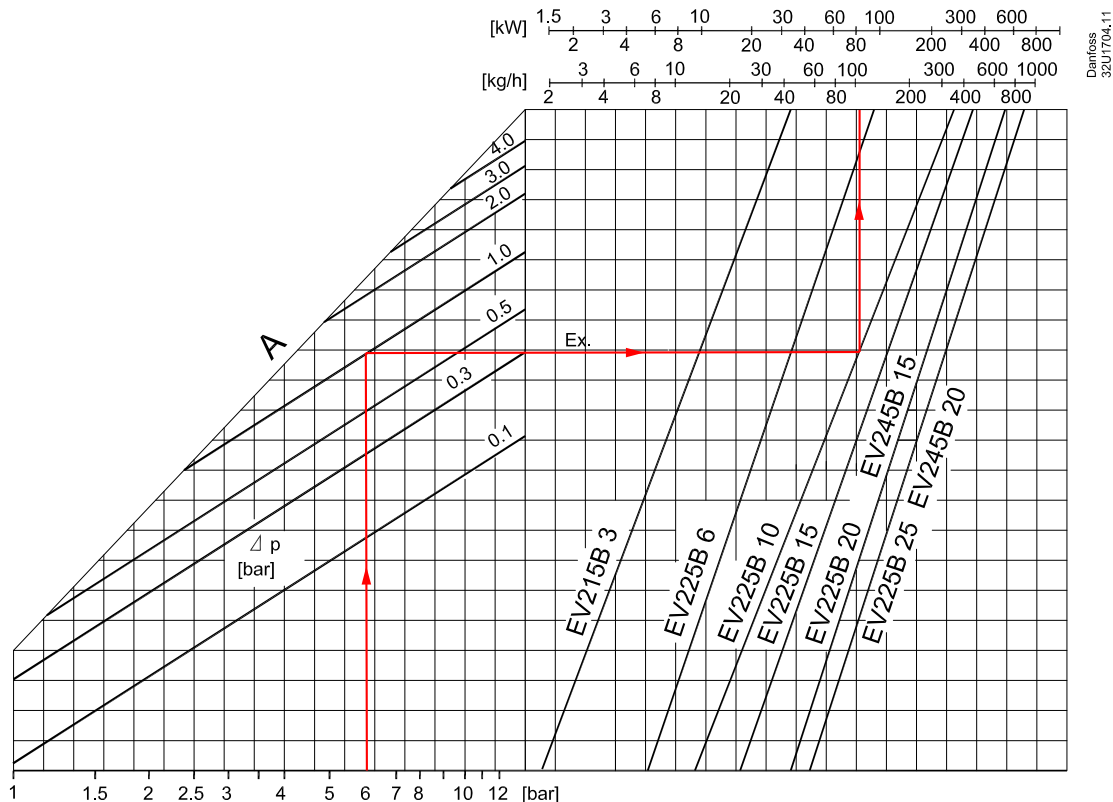
**Table: Materials**

Components	Materials	Specifications
Valve body	DZR brass	
Armature/armature stop	Stainless steel	W. no. 1.4105 / AISI 430FR
Spring	Stainless steel	W. no. 1.4306 / AISI 304L
Armature tube	Stainless steel	W. no. 1.4310 / AISI 301
Diaphragm	PTFE	
Valve plate	PTFE	
Valve seat	Stainless steel	
External gaskets	O-ring: AFLAS	

## Capacity

**Example:** Capacity for EV225 10BD inlet pressure (p1) of 6 bar absolute, at differential pressure at 1 bar. Approx. 100kg/h/80kW

**Figure: Steam capacity diagrams**



## Pressure and temperature data

**Table: Differential pressure range**

Connection ISO228/1	Coil type BQ AC	Coil type BN DC	Coil type BB AC	Coil type BB DC
	[Bar]	[Bar]	[Bar]	[Bar]
G1/4 – G1	0.2 – 10	0.2 – 5	0.2 – 5	0.2 – 3.6

## Dimensions

Table: Dimension and weight

Type	L	B	H	H <sub>1</sub>	H <sub>2</sub>	Weight gross valve body with coil BQ, BB	Weight gross valve body with coil BN
	[mm]	[mm]	[mm]	[mm]	[mm]	[kg]	[kg]
EV225B 6 BD	62	46	98	13	85	0.75	1.03
EV225B 10 BD	62	46	98	13	85	0.72	1.00
EV225B 15 BD	81	56	102	15	87	0.86	1.14
EV225B 20 BD	98	72	110	18	92	1.4	1.68
EV225B 25 BD	106	72	117	21	96	1.7	1.98

Figure: Dimension

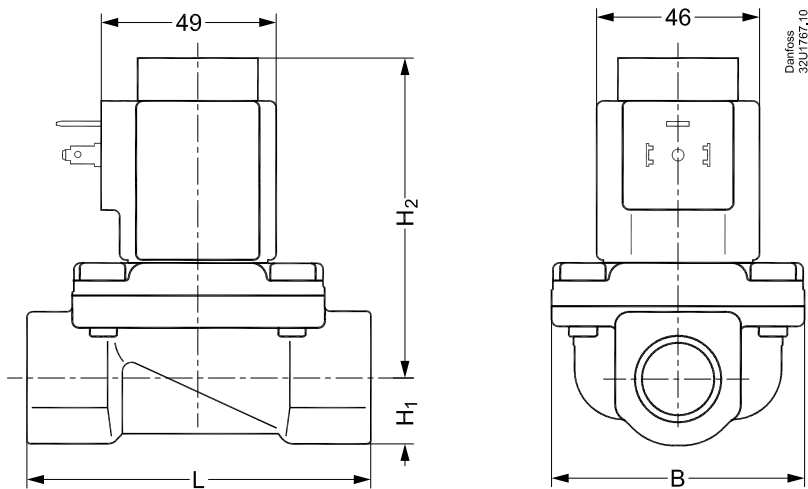
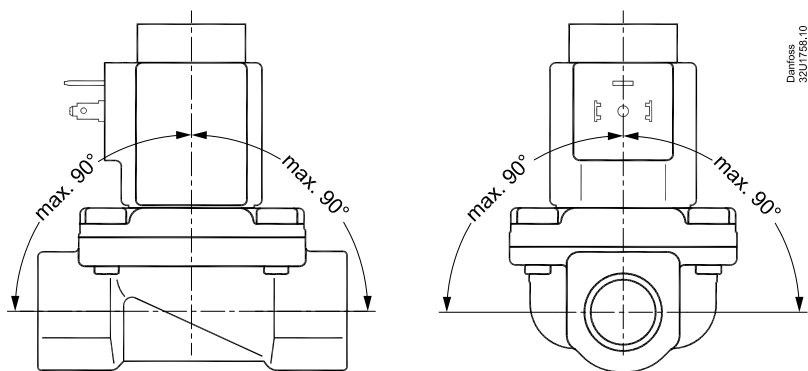


Figure: Mounting angle



## Certificates, declarations and approvals

The list contains all certificates, declarations, and approvals for this product type. Individual code number may have some or all of these approvals, and certain local approvals may not appear on the list.

When you click on the link you will be directed to the latest version of the 'Declaration of Conformity'. Products developed and sold before this date of issue conform to the directives/standards in force at the time of their sale.

Approval type	Title	Certification body	Approval topic
Manufacturer's Declaration	<a href="#">Danfoss MD 033F0699.00</a>	Danfoss	China RoHS
Export Control Declaration	<a href="#">Solenoid valves – Polymer, Bronze, Brass, Cast iron</a>	Danfoss	
EU Declaration	<a href="#">Danfoss EU 033F0683.05</a>	Danfoss	LVD, EU RoHS
Mechanical Safety Certificate	<a href="#">UL MH7648</a>	UL - Underwriters Laboratories inc.	
Pressure Safety Certificate	<a href="#">LLC CDC EURO-TYSK UA.TR.089.1015.02-22</a>	LLC CDC EURO TYSK - Ukraine	PED, Pressure
Manufacturer's Declaration	<a href="#">Danfoss MD 033F1140.01</a>	Danfoss	EU RoHS
Manufacturer's Declaration	<a href="#">Danfoss MD 033F0232.AA</a>	Danfoss	PED, Pressure

## Contact details

### Online support

Danfoss offers a wide range of support along with our products, including digital information, software, mobile apps and expert guidance. See the possibilities below.



#### The Danfoss Design center

Discover the Design Center, our advanced digital platform that streamlines product selection. With integrated tools and enhanced type pages, it's simpler than ever to access product information and documentation, and to select the right products. Check the availability of Danfoss products at partner locations and enjoy seamless transitions from selection to purchase with our basket-to-basket functionality. Whether you're buying from our distributors or directly from the Product Store, the Design Center simplifies your experience. Learn more at: [designcenter.danfoss.com](https://designcenter.danfoss.com).



#### The Danfoss product store

The Danfoss Product Store is a one-stop shop available 24/7 for our customers, no matter where you are in the world or what area of industry you work in. Browse our catalog, check product details and documentation, view your prices and product availability, and quickly finalize your purchase. Start browsing at: [store.danfoss.com](https://store.danfoss.com).



#### Danfoss Partner Portal/Product Data tool

Designed to support you with easy access to product data extracts, essential resources, tools, and information. The Partner Portal provides a centralized hub for product documentation, training materials, marketing assets, and technical support, ensuring you have everything you need to succeed and grow your business with Danfoss. The Partner Portal is available 24/7 at: [partner.danfoss.com](https://partner.danfoss.com) and is ready to support your business.



#### Find technical documentation

Find technical documentation you need to get your project up running. Get direct access to our official collection of data sheets, certificates and declarations, manuals and guides, 3D models and drawings, case stories, brochures, and much more. Start searching now at: [documentation.danfoss.com](https://documentation.danfoss.com).



#### Danfoss Learning

Danfoss Learning is a free online learning platform. It features courses and materials specifically designed to help engineers, installers, service technicians, and wholesalers better understand the products, applications industry topics, and trends that will help you do your job better. Find your local Danfoss website here: [learning.danfoss.com](https://learning.danfoss.com).



#### Get local information and support

Local Danfoss websites are the main sources for help and information about our company and products. Find product availability, get the latest regional news, or connect with a nearby expert - all in your own language. Find your local Danfoss website here: [danfoss.com](https://danfoss.com).

#### Danfoss A/S

Climate Solutions . danfoss.com . +45 7488 2222

---

Any information, including, but not limited to information on selection of product, its application or use, product design, weight, dimensions, capacity or any other technical data in product manuals, catalogues description, advertisements, etc. and whether made available in writing, orally, electronically, online or via download, shall be considered informative, and is only binding if and to the extent, explicit reference is made in a quotation or order confirmation. Danfoss cannot accept any responsibility for possible errors in catalogues, brochures, videos and other material. Danfoss reserves the right to alter its products without notice. This also applies to products ordered but not delivered provided that such alterations can be made without changes to form, fit or function of the products. All trademarks in this material are property of Danfoss A/S or Danfoss group companies. Danfoss and the Danfoss logo are trademarks of Danfoss A/S. All rights reserved.

---