



Solenoid coil

BV

Coils are designed to be used with Danfoss solenoid valves

Description

BV is a solenoid coil with ATEX EX zone 2 approval. The coils are designed to be used with Danfoss solenoid valves.

Features & benefits

- Embedded coils with long lifetime even under extreme conditions
- Available with a 3-core cable
- Safe mounting with screw-on system
- Standard coils from 24 V to 240 V AC
- Standard coils dimensioned to Maximum Operating Pressure Differential (MOPD) up to 21 bar for AC

Ordering

Product code numbers

Product Type	Cable length [m]	Supply voltage [V] AC	Frequency [Hz]	Code number
BV024A	1.000	24	50 Hz	018Z6120
BV110A	1.000	110	50 Hz	018Z6121
BV230A	1.000	230	50 Hz	018Z6122
BV230B	1.000	230	60 Hz	018Z6127
BV230A	1.500	230	50 Hz	018Z6128
BV230B	1.500	230	60 Hz	018Z6129

NOTE:

These are the Valve Types which is common for all Product Types Mention above

- EVR 2 - EVR 40 (NC)
- EVR 6 - EVR 22 (NO)
- EVRC
- EVRA / EVRAT
- EVRS / EVRST
- EVM (NC / NO)

Product details

General data

Figure: Type BV

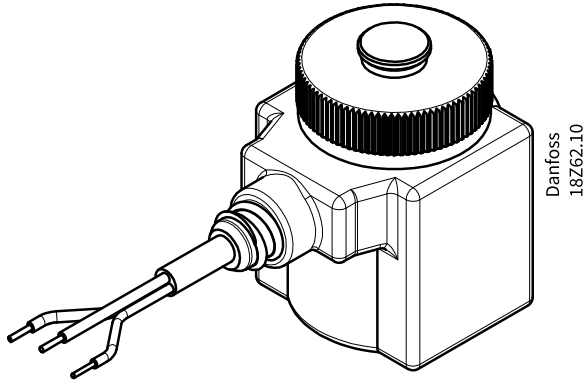


Table: Technical data for type BV

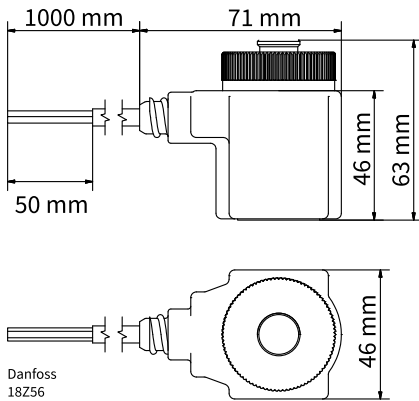
Specification	Values
Humidity	0 – 100% RH
Enclosure	IP65
Pollution degree	3
Max. altitude above sea level	4000 m
Permissible voltage variation	11 W AC, 50 Hz: 10 – 15% 11 W AC, 60 Hz: ±10%
Power consumption holding	11 W, 21 VA
Inrush current	44 mA
Duty rating	100%
Ambient temperature	-40 – 50 °C
Media temperature	Max. 100 °C
Connection	3-core cable The external thread of the cable entry is suitable for flexible steel hose or similar cable protection

Table: Classification EN 60079

Type	Classification
Explosion proof area	Zone 2
Product group	II
Product category	3G
Product niveau EPL	Gc
Explosion group	IIB
Temperature class	T4
Type of protection	nA
Exposed to SUN/UV light	No

Dimensions

Figure: Dimensions and weight for type BV



Warnings



Always install a fuse ahead of the coil. It should not exceed 2 A for coils rated less than 50 V and it should not exceed 1 A for coils rated 50 V or more.

Time log: Medium.

Use only for system in compliance with ATEX. Ignition risk is evaluated in accordance to ATEX.

Coil type BV can be applied on systems with R290, R600, R600a and R1270 as the working fluid.

For countries where safety standards are not an indispensable part of the safety system Danfoss recommend the installer to get a third-party approval of the system containing flammable refrigerant.

NOTE:

Please follow specific selection criteria stated in the datasheet for these particular refrigerants.

Certificates, declarations and approvals

The list contains all certificates, declarations, and approvals for this product type. Individual code number may have some or all of these approvals, and certain local approvals may not appear on the list.

When you click on the link you will be directed to the latest version of the 'Declaration of Conformity'. Products developed and sold before this date of issue conform to the directives/standards in force at the time of their sale.

Approval type	Title	Certification body	Approval topic
EU Declaration	Danfoss EU 032R9261.AD	Danfoss	ATEX
Export Control Declaration	Solenoid Coils	Danfoss	
UA Declaration	Danfoss UA 8505	Danfoss	UA RoHS
Explosive Safety Certificate	CCC 2024312307000488	CCC - China Compulsory Certification	Explosive

Contact details

Online support

Danfoss offers a wide range of support along with our products, including digital information, software, mobile apps and expert guidance. See the possibilities below.



The Danfoss Design center

Discover the Design Center, our advanced digital platform that streamlines product selection. With integrated tools and enhanced type pages, it's simpler than ever to access product information and documentation, and to select the right products. Check the availability of Danfoss products at partner locations and enjoy seamless transitions from selection to purchase with our basket-to-basket functionality. Whether you're buying from our distributors or directly from the Product Store, the Design Center simplifies your experience. Learn more at: designcenter.danfoss.com.



The Danfoss product store

The Danfoss Product Store is a one-stop shop available 24/7 for our customers, no matter where you are in the world or what area of industry you work in. Browse our catalog, check product details and documentation, view your prices and product availability, and quickly finalize your purchase. Start browsing at: store.danfoss.com.



Danfoss Partner Portal/Product Data tool

Designed to support you with easy access to product data extracts, essential resources, tools, and information. The Partner Portal provides a centralized hub for product documentation, training materials, marketing assets, and technical support, ensuring you have everything you need to succeed and grow your business with Danfoss. The Partner Portal is available 24/7 at: partner.danfoss.com and is ready to support your business.



Find technical documentation

Find technical documentation you need to get your project up running. Get direct access to our official collection of data sheets, certificates and declarations, manuals and guides, 3D models and drawings, case stories, brochures, and much more. Start searching now at: documentation.danfoss.com.



Danfoss Learning

Danfoss Learning is a free online learning platform. It features courses and materials specifically designed to help engineers, installers, service technicians, and wholesalers better understand the products, applications industry topics, and trends that will help you do your job better. Find your local Danfoss website here: learning.danfoss.com.



Get local information and support

Local Danfoss websites are the main sources for help and information about our company and products. Find product availability, get the latest regional news, or connect with a nearby expert - all in your own language. Find your local Danfoss website here: danfoss.com.

Danfoss A/S

Climate Solutions . danfoss.com . +45 7488 2222

Any information, including, but not limited to information on selection of product, its application or use, product design, weight, dimensions, capacity or any other technical data in product manuals, catalogues description, advertisements, etc. and whether made available in writing, orally, electronically, online or via download, shall be considered informative, and is only binding if and to the extent, explicit reference is made in a quotation or order confirmation. Danfoss cannot accept any responsibility for possible errors in catalogues, brochures, videos and other material. Danfoss reserves the right to alter its products without notice. This also applies to products ordered but not delivered provided that such alterations can be made without changes to form, fit or function of the products. All trademarks in this material are property of Danfoss A/S or Danfoss group companies. Danfoss and the Danfoss logo are trademarks of Danfoss A/S. All rights reserved.
