



AMV 25 SD / AMV 25 SU

Description

AMV 25 SD or SU electric actuators are used with valves gen.2009 type VRB, VRG, VF, VL with additional adapter (Code No. 065Z0311, not supplied) and VFS 2 valves up to DN 50 diameter.

The actuator automatically adapts its stroke to valve end positions which reduces commissioning time. Optional auxiliary switches, feedback potentiometer and valve stem heater are available.

Features & benefits

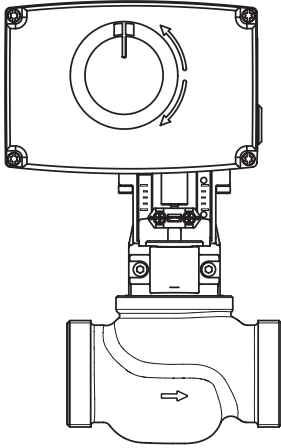
- The advanced design incorporates load related 'switch-off' to ensure that actuators and valves are not exposed to overload
- Digitale feedback end position indication signal for valve end position is available by terminal 4 or 5
- Low weight and robust
- Safety function versions: SD (spring down), SU (spring up)



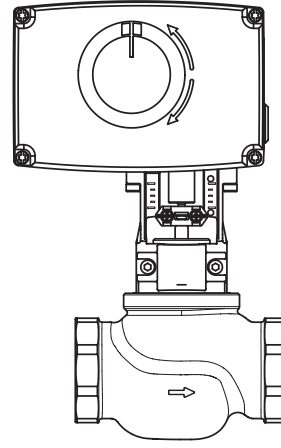
Overview

Product portfolio

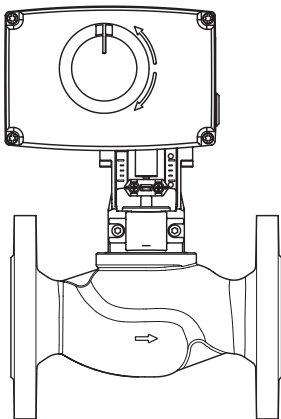
Actuator - valve combinations



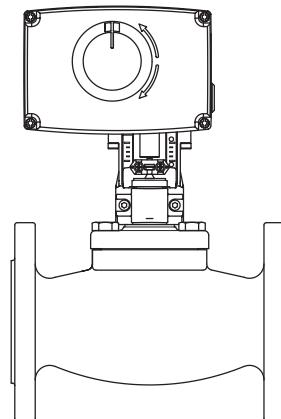
AMV 25 SD/SU +
Adapter (**065Z0311**)
VRB 2, VRB 3 ext. thread (DN 15-50)
VRG 2, VRG 3 ext. thread (DN 15-50)



AMV 25 SD/SU +
Adapter (**065Z0311**)
VRB 2, VRB 3 Int. thread
(DN 15-50)



AMV 25 SD/SU +
Adapter (**065Z0311**)
VF 2, VF 3 (DN 15-50)
VL 2, VL 3 (DN 15-50)



AMV 25 SD/SU +
VFS 2 (DN 15-50)

Functions

Operation

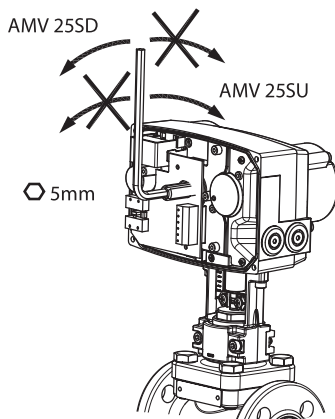
Commissioning

Complete the mechanical and electrical installation and perform the necessary checks and tests:

- Turn on the power.
- Set the appropriate control signal and check that the valve stem direction is correct for the application.

The unit is now fully commissioned.

Manual Override



Manual override is done by means of positioning spindle inside the actuator:

- Disconnect power signal
- Remove the actuator cover
- Insert 5 mm Allan key (not part of actuator delivery) into the top of the positioning spindle
- Turn the key against the spring (observe the rotation direction)

To hold a manual override position, the key must be wedged.

After manual override is not needed:

- Restore power signal.

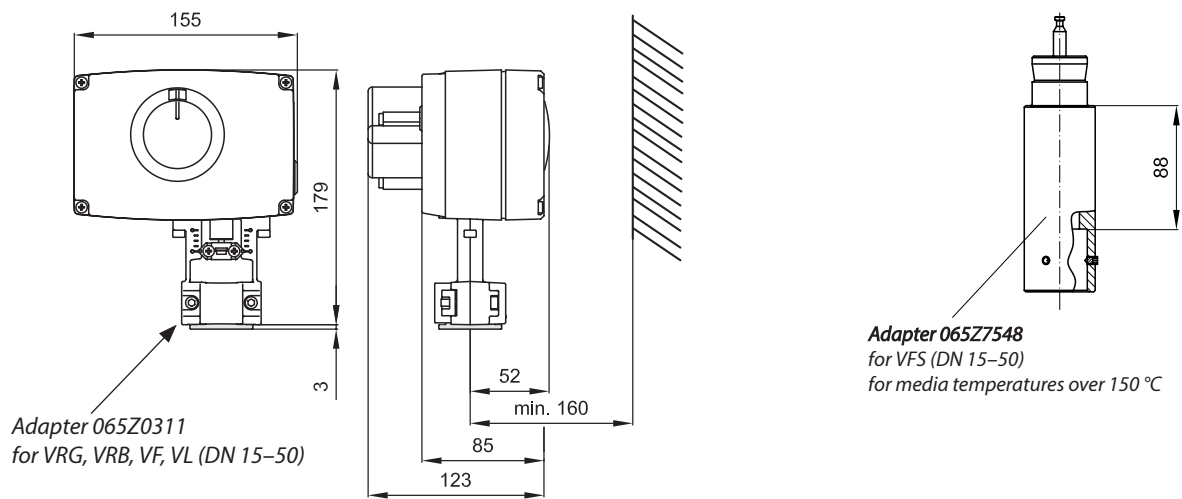
Product details

General data

Technical Data

Power supply	V	24, 230 AC
Power consumption	VA	12
Frequency	Hz	50/60
Control input		3-point
Close of force	N	450
Max. stroke	mm	15
Speed	s/mm	15
Max. medium temperature		150 (200 - for VFS valve with adapter)
Ambient temperature	°C	0...55
Storage and transport temp.		-40...70
Protection code		IP 54
Weight	kg	2,3

Dimensions

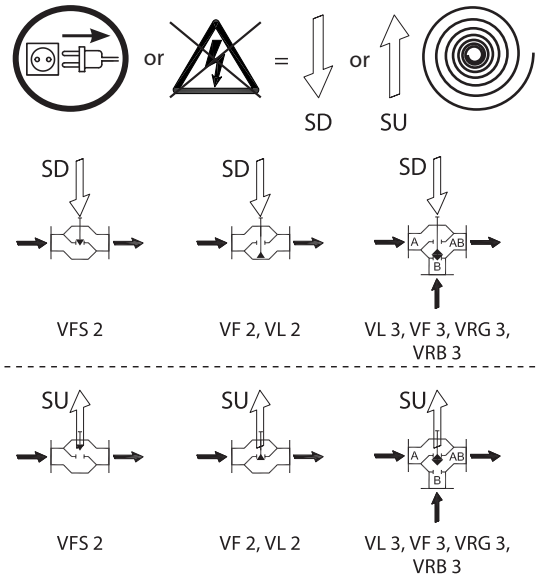


Warnings

Safety function

The safety function will fully open or close the valve by power failure, depending upon the chosen safety action (SD/SU). Valve selection will also affect the safety action. The safety function unit is factory fitted to the rear of the actuator.

• *not in accordance to DIN EN 14597*

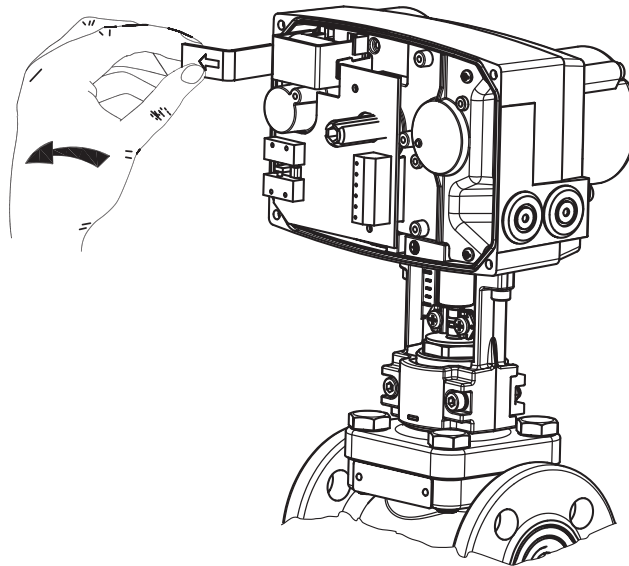


Valve type	Spring action selection will	
	Close port A-AB	Open port A-AB
VRG, VRB	SU	SD
VL (DN 15-50)	SU	SD
VF (DN 15-50)	SU	SD
VFS 2 (DN 15-50)	SD	SU

Note: Do not use safety activations for ON/OFF regulation.

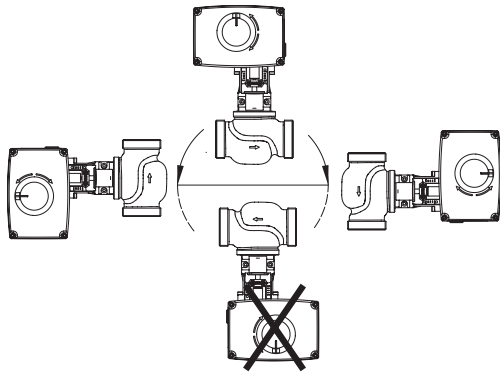
Safety function activation

(AMV 25 SD only)

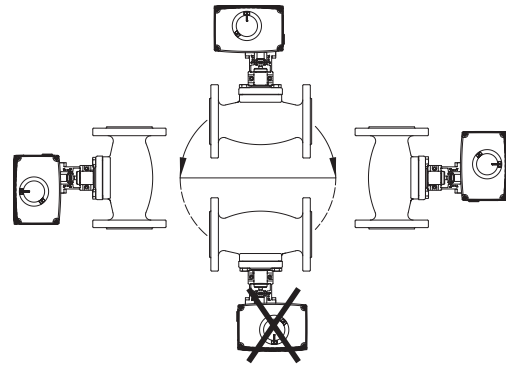


Installation

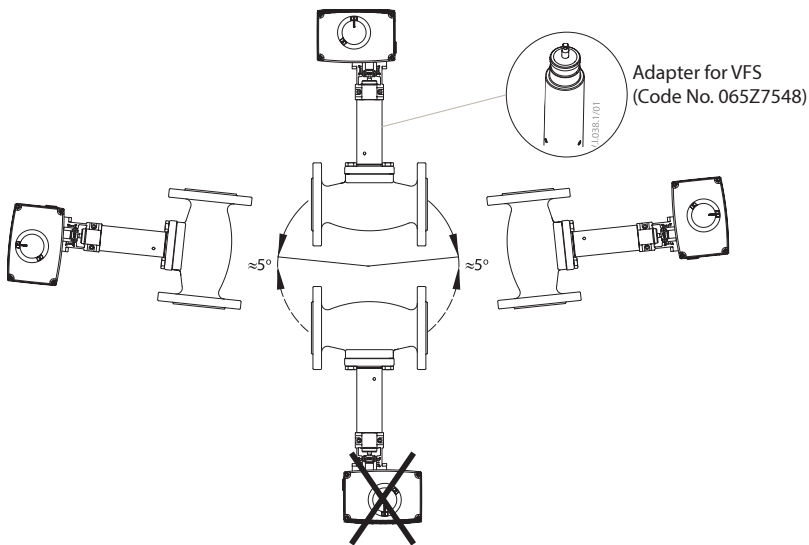
$T_{\max} \leq 150^{\circ}\text{C}$ for AMV 25 SD / SU and VRB, VRG, VF and VL



$T_{\max} \leq 150^{\circ}\text{C}$ for AMV 25 SD / SU and VFS



$T_{\max} = 200^{\circ}\text{C}$ for AMV 25 SD / SU and VFS



Mechanical

Use 4 mm Allan key (not part of actuator delivery) to mount actuator on the valve. Installation of the valve with the actuator is allowed in horizontal position or upwards. Installation downwards is not allowed.

The actuator must not be installed in an explosive atmosphere, at ambient temperature lower than 0°C or at ambient temperature higher than 55°C . It must not be subject to steam jets, water jets or dripping liquid as well.

Note: the actuator may be rotated up to 360° with respect to the valve stem by loosening the retaining fixture. Once the actuator is placed, retighten the fixture.

Electrical

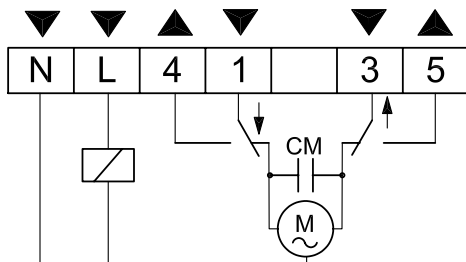
Electrical connections can be accessed by removing the actuator cover. Two cable gland entries with thread (M20 x 1.5 and M16 x 1.5) are prepared for cable glands.

Note: Cable and cable gland used must not compromise the actuator's IP rating, and must ensure the connectors are fully strain relieved. Please observe local rules and regulations as well.

Wiring



230 VAC version:
 Do not touch anything on the PCB!
 Do not remove the cover before the power supply is fully switched off.



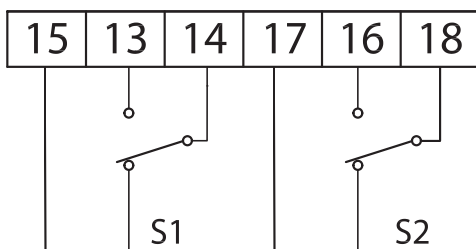
Terminals 1, 3: Control voltage input from the controller.

Terminals 4, 5: Output used for position indication or monitoring.

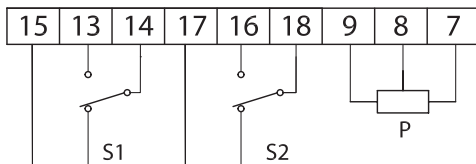
L - Power supply 24 or 230 V~

N - Common (0 V)

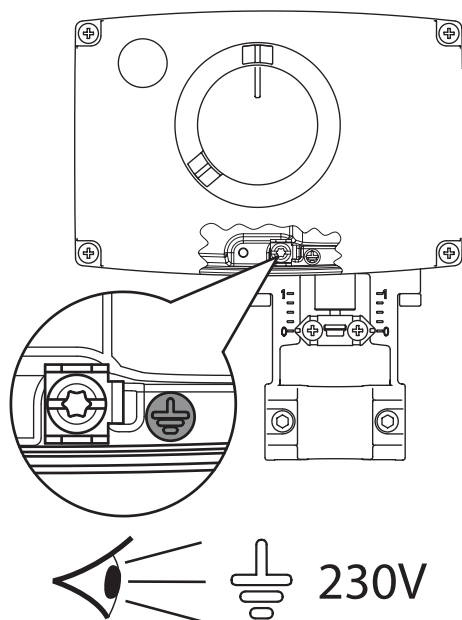
Accessories



Additional switches (2x)



Additional switches (2x) and potentiometer



Contact details

Online support

Danfoss offers a wide range of support along with our products, including digital information, software, mobile apps and expert guidance. See the possibilities below.



The Danfoss Design center

Discover the Design Center, our advanced digital platform that streamlines product selection. With integrated tools and enhanced type pages, it's simpler than ever to access product information and documentation, and to select the right products. Check the availability of Danfoss products at partner locations and enjoy seamless transitions from selection to purchase with our basket-to-basket functionality. Whether you're buying from our distributors or directly from the Product Store, the Design Center simplifies your experience. Learn more at: designcenter.danfoss.com.



The Danfoss product store

The Danfoss Product Store is a one-stop shop available 24/7 for our customers, no matter where you are in the world or what area of industry you work in. Browse our catalog, check product details and documentation, view your prices and product availability, and quickly finalize your purchase. Start browsing at: store.danfoss.com.



Danfoss Partner Portal/Product Data tool

Designed to support you with easy access to product data extracts, essential resources, tools, and information. The Partner Portal provides a centralized hub for product documentation, training materials, marketing assets, and technical support, ensuring you have everything you need to succeed and grow your business with Danfoss. The Partner Portal is available 24/7 at: partner.danfoss.com and is ready to support your business.



Find technical documentation

Find technical documentation you need to get your project up running. Get direct access to our official collection of data sheets, certificates and declarations, manuals and guides, 3D models and drawings, case stories, brochures, and much more. Start searching now at: documentation.danfoss.com.



Danfoss Learning

Danfoss Learning is a free online learning platform. It features courses and materials specifically designed to help engineers, installers, service technicians, and wholesalers better understand the products, applications industry topics, and trends that will help you do your job better. Find your local Danfoss website here: learning.danfoss.com.



Get local information and support

Local Danfoss websites are the main sources for help and information about our company and products. Find product availability, get the latest regional news, or connect with a nearby expert - all in your own language. Find your local Danfoss website here: danfoss.com.

Danfoss A/S

Climate Solutions . danfoss.com . +45 7488 2222

Any information, including, but not limited to information on selection of product, its application or use, product design, weight, dimensions, capacity or any other technical data in product manuals, catalogues description, advertisements, etc. and whether made available in writing, orally, electronically, online or via download, shall be considered informative, and is only binding if and to the extent, explicit reference is made in a quotation or order confirmation. Danfoss cannot accept any responsibility for possible errors in catalogues, brochures, videos and other material. Danfoss reserves the right to alter its products without notice. This also applies to products ordered but not delivered provided that such alterations can be made without changes to form, fit or function of the products. All trademarks in this material are property of Danfoss A/S or Danfoss group companies. Danfoss and the Danfoss logo are trademarks of Danfoss A/S. All rights reserved.
