



Gear actuators

AMV 130(H) / AMV 140(H)

Actuators for three point control

Description

AMV 130/140 and AMV 130H/140H actuators are used with:

- VZ DN 15, 20,
- VZL DN 15, 20 with stem extension plug or
- AHQM (DN 15-32) valves.

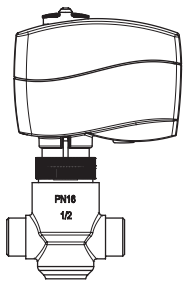
The actuator can be used with fan coil units, induction units, small reheaters, recoolers and zone applications in which hot/cold water is the controlled medium.

Features & benefits

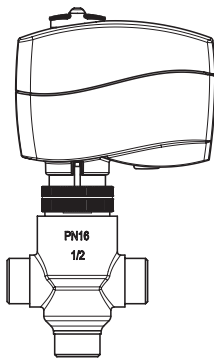
- 3-point versions
- Force switch-off at stem down position prevents overload of actuator and valve
- No tools required for mounting
- Maintenance free during lifetime
- Low noise operation
- Supplied with 1.5 m cable

Applications

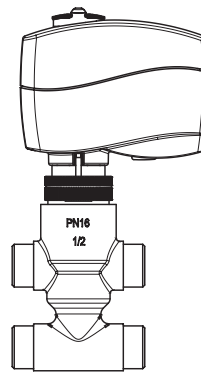
Actuator - valve combinations



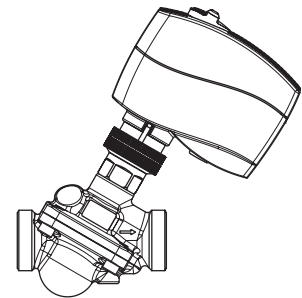
AMV 130(H)/140(H)
+ VZ 2 / VZL 2



AMV 130(H)/140(H)
+ VZ 3 / VZL 3



AMV 130(H)/140(H)
+ VZ 4 / VZL 4



AMV 130(H)/140(H)
+ AHQM (DN 15-32)

Remark: VZL valves with stem extension plug

Ordering


Product code numbers

Description	Supply voltage [V]	Actuator speed [s/mm]	Code number
AMV 130 24V 24s/mm 5,5mm 200N	24 V AC	24	082H8036
AMV 130 230V 24s/mm 5,5mm 200N	230 V AC	24	082H8037
AMV 140 24V 12s/mm 5,5mm 200N	24 V AC	12	082H8038
AMV 140 230V 12s/mm 5,5mm 200N	230 V AC	12	082H8039
AMV 130 H 24V 24s/mm 5,5mm 200N	24 V AC	24	082H8040
AMV 130 H 230V 24s/mm 5,5mm 200N	230 V AC	24	082H8041
AMV 140 H 24V 12s/mm 5,5mm 200N	24 V AC	12	082H8042
AMV 140 H 230V 12s/mm 5,5mm 200N	230 V AC	12	082H8043

Spare parts code numbers



082H8052
Cable (24 V) 5 m
 Cable (24 V) 5 m



082H8053
Cable (230 V) 5 m
 Cable (230 V) 5 m

Functions

Operation

Commissioning

The factory setting of the spindle is the fully stem up position because of easier mechanical connection of the actuator on the valve.

Settings

Manual override (for service purposes only)

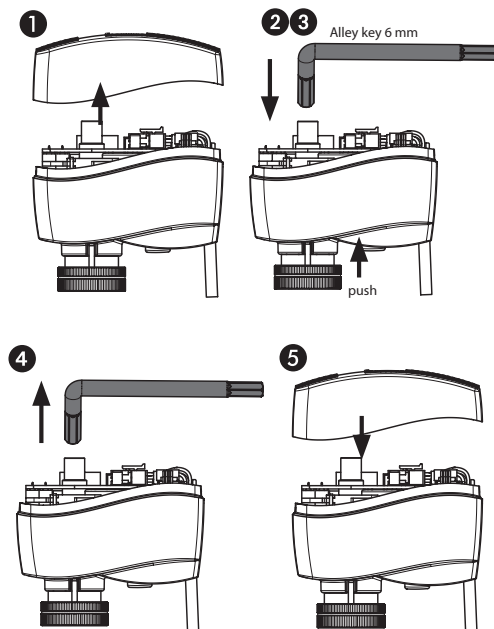


Caution: Do not manually operate the drive under power!

AMV 130, AMV 140

1. Remove the cover.
2. Insert the Allen key 6 into the spindle.
3. Press and hold the button (on the bottom side of the actuator) during manual override.
4. Pull out the tool.
5. Place cover back on the actuator.

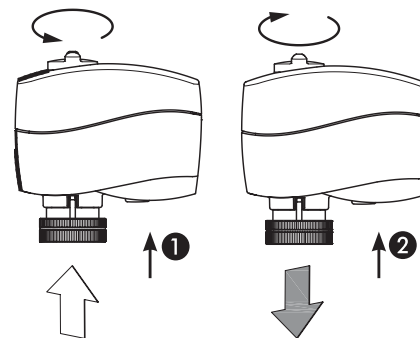
Remark: A "click" sound after energizing the actuator means that the gear wheel has jumped into normal position.



AMV 130H, AMV 140H

1. Press and hold the button (on the bottom side of the actuator) during manual override.

Remark: A "click" sound after energizing the actuator means that the gear wheel has jumped into normal position.



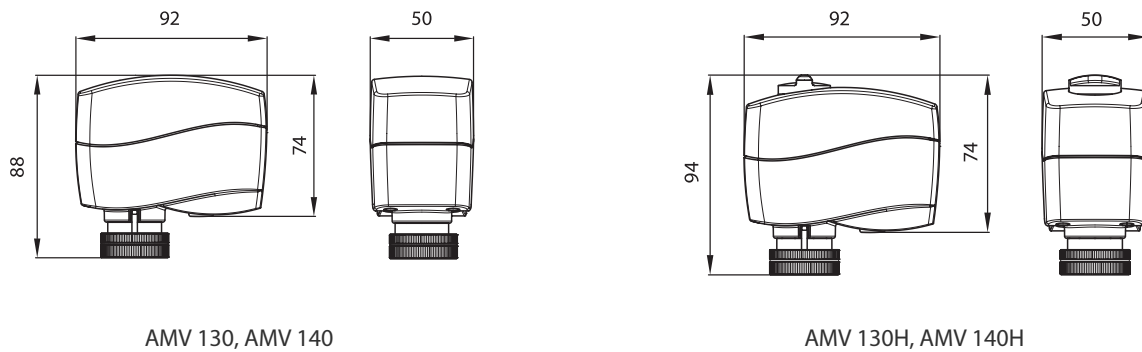
Product details

General data

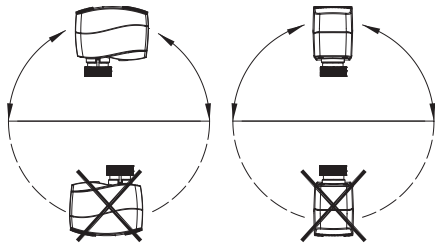
Technical data

Type		AMV 130, AMV 130H	AMV 140, AMV 140H
Power supply	V	24 AC, 230 AC; +10 to -15 %	
Power consumption	VA	1-24 V AC; 8-230 V AC	
Frequency	Hz	50/60	
Close of force	N	200	
Stroke	mm	5.5	
Speed	s/mm	24	12
Max. medium temperature inside the pipe		130	
Ambient temperature	°C	0...55	
Storage and transport temperature		-40...70	
Ambient humidity		95 % r.h., non-condensing	
Protection Class		II	
Grade of enclosure		IP 42	
Weight	kg	0.3	

Dimensions



Installation



Mechanical

The actuator should be mounted with the valve stem in either horizontal position or pointing upwards.

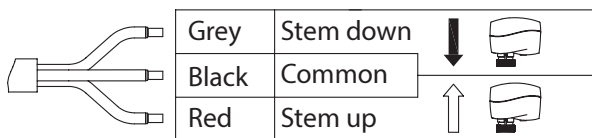
The actuator is fixed to the valve body by means of a mounting ring which requires no tools for mounting. The ring should be tightened by hand.

Electrical

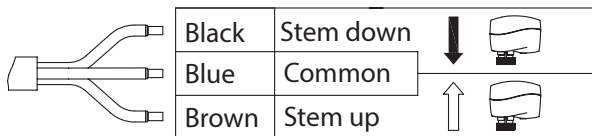
Important: It is strongly recommended that the mechanical installation is completed before the electrical installation.

Each actuator is supplied with the connecting cable for the controller.

Wiring



AMV 130/140, AMV 130H/140H - 24V



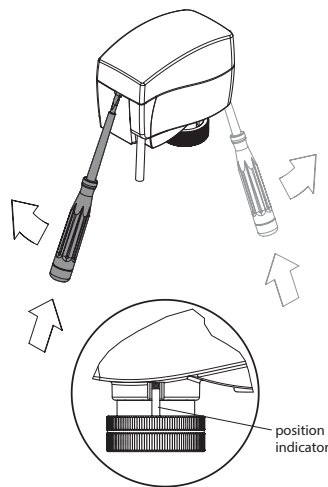
AMV 130/140, AMV 130H/140H - 230V

Installation and commissioning procedure (if required)



Do not touch anything on the PCB!
Before removing the cover in need
of hand operation with Allen key
power supply must be
disconnected. Lethal voltage!

1. Check the valve's neck. The actuator should be in steam up position (factory setting). Ensure that the actuator is mounted securely on the valve body.
2. Energise the actuator according to the wiring diagram.
3. The direction of stem movement can be observed on the position indicator.



Certificates, declarations and approvals

The list contains all certificates, declarations, and approvals for this product type. Individual code number may have some or all of these approvals, and certain local approvals may not appear on the list.

When you click on the link you will be directed to the latest version of the 'Declaration of Conformity'. Products developed and sold before this date of issue conform to the directives/standards in force at the time of their sale.

Approval type	Title	Certification body	Approval topic
EU Declaration	Danfoss EU 221011EN0815101.04	Danfoss	LVD, EU RoHS
Export Control Declaration	Gear and Thermal actuators	Danfoss	
UA Declaration	UA Actuators 2024-06-27	Danfoss	EMC, LVD

Contact details

Online support

Danfoss offers a wide range of support along with our products, including digital information, software, mobile apps and expert guidance. See the possibilities below.



The Danfoss Design center

Discover the Design Center, our advanced digital platform that streamlines product selection. With integrated tools and enhanced type pages, it's simpler than ever to access product information and documentation, and to select the right products. Check the availability of Danfoss products at partner locations and enjoy seamless transitions from selection to purchase with our basket-to-basket functionality. Whether you're buying from our distributors or directly from the Product Store, the Design Center simplifies your experience. Learn more at: designcenter.danfoss.com.



The Danfoss product store

The Danfoss Product Store is a one-stop shop available 24/7 for our customers, no matter where you are in the world or what area of industry you work in. Browse our catalog, check product details and documentation, view your prices and product availability, and quickly finalize your purchase. Start browsing at: store.danfoss.com.



Danfoss Partner Portal/Product Data tool

Designed to support you with easy access to product data extracts, essential resources, tools, and information. The Partner Portal provides a centralized hub for product documentation, training materials, marketing assets, and technical support, ensuring you have everything you need to succeed and grow your business with Danfoss. The Partner Portal is available 24/7 at: partner.danfoss.com and is ready to support your business.



Find technical documentation

Find technical documentation you need to get your project up running. Get direct access to our official collection of data sheets, certificates and declarations, manuals and guides, 3D models and drawings, case stories, brochures, and much more. Start searching now at: documentation.danfoss.com.



Danfoss Learning

Danfoss Learning is a free online learning platform. It features courses and materials specifically designed to help engineers, installers, service technicians, and wholesalers better understand the products, applications industry topics, and trends that will help you do your job better. Find your local Danfoss website here: learning.danfoss.com.



Get local information and support

Local Danfoss websites are the main sources for help and information about our company and products. Find product availability, get the latest regional news, or connect with a nearby expert - all in your own language. Find your local Danfoss website here: danfoss.com.

Danfoss A/S

Climate Solutions . danfoss.com . +45 7488 2222

Any information, including, but not limited to information on selection of product, its application or use, product design, weight, dimensions, capacity or any other technical data in product manuals, catalogues description, advertisements, etc. and whether made available in writing, orally, electronically, online or via download, shall be considered informative, and is only binding if and to the extent, explicit reference is made in a quotation or order confirmation. Danfoss cannot accept any responsibility for possible errors in catalogues, brochures, videos and other material. Danfoss reserves the right to alter its products without notice. This also applies to products ordered but not delivered provided that such alterations can be made without changes to form, fit or function of the products. All trademarks in this material are property of Danfoss A/S or Danfoss group companies. Danfoss and the Danfoss logo are trademarks of Danfoss A/S. All rights reserved.
