



# Pressure transmitter

## DST P140

For industry applications

## Description

The Danfoss Sensor Technology (DST) P140 is designed for use in industrial applications like Booster Pumps and Air Compressors. Drawn from over 30 years of experience with MEMS technology, the DST P140 offers outstanding performance in a compact and durable stainless-steel package. Running a powerful ARM-based microcontroller, the DST P140 offers diagnostic features and performance features at a competitive level.

## Features & benefits

- Hermetically sealed media interface (all stainless steel, fully welded)
- Compact and cost effective design for OEM applications
- Superior shock and vibration resistance
- High overload and burst pressure
- Robust electronics platform for harsh electrical environments

## Ordering

### Product code numbers

#### Standard ordering type

Type	Pressure reference	Pressure ranges	Output signal	Electrical connection / standard	Pressure connection / standard	Code no. <sup>(1)</sup>		
DST 140	Gauge (relative)	0 – 4 bar	4 – 20 mA	M12x1.0 IEC 61076-2-101	G ¼ – A ISO 1179-2	075G4034		
		0 – 6 bar				075G4035		
		0 – 10 bar				075G4027		
		0 – 16 bar				075G4029		
		0 – 25 bar				075G4031		
	Sealed gauge	0 – 40 bar				075G4033		
	Gauge (relative)	0 – 4 bar				Metri-Pack 150.2 SERIES (Round)	¼ – 18 NPT 8 mm Ø ANSI/ASME B1.20.1	075G4064
		0 – 6 bar						075G4052
		0 – 10 bar						075G4053
		0 – 16 bar						075G4054
		0 – 25 bar		075G4055				
	Sealed gauge	0 – 40 bar		075G4056				
	Gauge (relative)	0 – 100 psi		M12x1.0 IEC 61076-2-101	R ¼ None			075G4026
		0 – 150 psi						075G4028
		0 – 200 psi	075G4030					
		0 – 300 psi	075G4032					
		0 – 4 bar	075G4073					
		0 – 6 bar	075G4074					
		0 – 10 bar	075G4059					
		0 – 16 bar	075G4060					
	0 – 25 bar	075G4061						
	Sealed gauge	0 – 40 bar	075G4075					
	Gauge (relative)	0 – 4 bar	Ratiometric (10 – 90%)	Metri-Pack 150.2 SERIES (Round)	G ¼ – A ISO 1179-2	075G4110		
		0 – 6 bar				075G4259		
		0 – 16 bar				075G4111		
	Sealed gauge	0 – 25 bar				075G4121		

<sup>(1)</sup> These items are packaged in I-packs containing 60 pieces each, so orders must be placed in multiples of 60.

## Accessories code numbers

### Cable accessories

Type	I-Pack Code no.	Qty/Box [pcs]	Description
Cable with Metri-Pack 150 (Round) mating connector	060G8085	60	0.8 m with outer sheath
Cable with Metri-Pack 150 (Round) mating connector	060G8086	60	1.3 m with outer sheath
Cable with Metri-Pack 150 (Round) mating connector	060G8193	100	1.7 m with outer sheath
Cable with Metri-Pack 150 (Round) mating connector	064G0910 <sup>(1)</sup>	14	10 m with outer sheath
Cable with Metri-Pack 150 (Round) mating connector	060G8195	100	1 m without outer sheath
Cable with Metri-Pack 150 (Round) mating connector	060G8196	100	2.5 m without outer sheath
Cable with M12 mating connector	060G8198	60	2 m shielded
M12 to PG9 angle adaptor	060G8227	60	–
M12 to PG9 straight adaptor	060G8228	60	–

<sup>(1)</sup> Multi Pack code number is 064G0950

For more options and info, please go to <https://store.danfoss.com>

## Product details

### General data

#### Performance

Accuracy @ 20 °C	≤ ±0.5% FS
Total error band	0 – 100 °C: ±2% -40 – 0 °C: ±3%
Response time	< 2 ms
Overload pressure	4 × FS
Burst pressure	5 × FS
Durability, P: 10 – 90% FS	>10 mil. cycles

#### Electrical specifications

Nom. output signal (short-circuit protected)	4 – 20 mA	Ratiometric (10 – 90% V <sub>ss</sub> )
Supply voltage [UB], polarity protected	8 – 28 V	5 V DC ± 0.5 V DC
Supply voltage dependency	≤ ±0.1% FS / 10 V	–
Load [RL] (load connected to 0 V)	$RL \leq (UB - 8 V) / 0.022 A$	$RL \geq 2 k\Omega$ at 5 V DC
Max. overvoltage protection	+36 V DC	+16 V DC
Max. reverse voltage	-36 V DC	-16 V DC

#### Environmental conditions

Nom. output signal (short-circuit protected)	4 – 20 mA	Ratiometric (10 – 90% V <sub>ss</sub> )
Media temperature range	-40 – 100 °C	-40 – 135 °C
Ambient temperature range	-40 – 85 °C	-40 – 125 °C
Storage temperature range	-40 – 150 °C	
EMC - Emission	EN 61000-6-3	
EMC immunity up to 6 GHz	EN 61000-6-2	
Insulation resistance	> 100 MΩ at 500 V	

Electrical connections	M12x1.0 IEC 61076-2-101	Metri-Pack 150.2 SERIES (Round)	Angular DIN plug PG9 EN 175301-803-A
Vibration resistance Random (IEC 60068-2-64)	10 g (5 Hz - 2 kHz)	15 g (20 Hz - 2 kHz)	10 g (20 Hz - 2 kHz)
Shock resistance (IEC 60068-2-27)	500 g / 1 ms		
Enclosure with mating connector	IP67		IP65

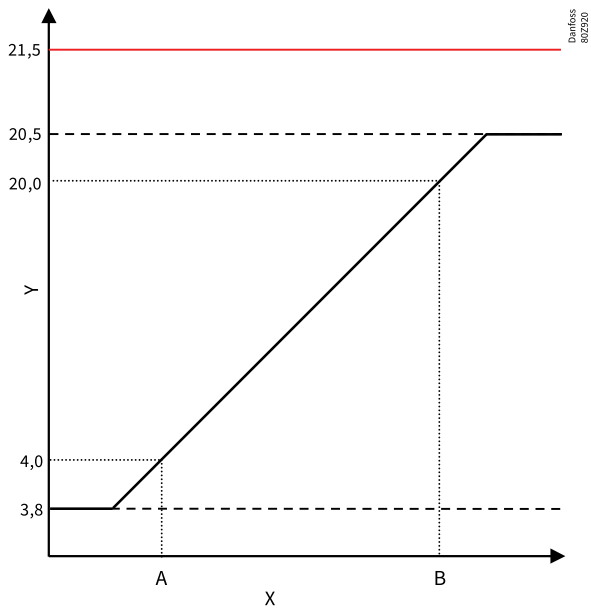
#### Mechanical characteristics




Wetted parts	AISI 304L Stainless steel
	AISI 316L Stainless steel
Electrical connections	See Electrical connections section
Weight (depending on pressure connection and electrical connection)	< 100 g

## Performance and environmental conditions

### Output and diagnostics

4 – 20 mA example



X	Application pressure
Y	Output signal [mA]
A	Zero
B	Full scale
	Fault detection signal
	Output clamping
	Pressure transfer function

- **Output clamping levels**

- Limit the output signal if the pressure rises above or falls below the normal range

- **Fault detection signal level**

- Placed above the pressure output range. Output at this level signals a sensor fault. Contact Danfoss for detailed information and requirements.

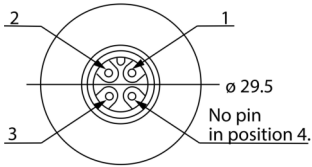
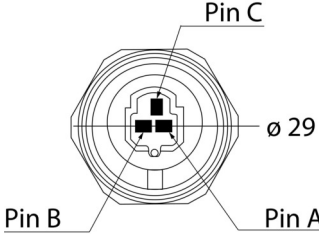
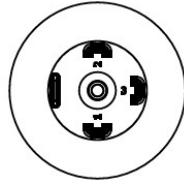
## Dimensions

<p style="text-align: center;"><b>Metri-Pack 150.2 (Round)</b></p> <p style="text-align: center;">G 1/4 - A - ISO 1179-2</p>	<p style="text-align: center;"><b>Metri-Pack 150.2 (Round)</b></p> <p style="text-align: center;">1/4 - 18NPT</p>
<p style="text-align: center;"><b>M12x1.0</b></p> <p style="text-align: center;">G 1/4 - A - ISO 1179-2</p>	<p style="text-align: center;"><b>M12x1.0</b></p> <p style="text-align: center;">R 1/4 - ISO 7-1</p>
<p style="text-align: center;"><b>Angular DIN plug Pg 9 EN 175301-803-A</b></p> <p style="text-align: center;">G 1/4 - A - ISO 1179-2</p>	<p style="text-align: center;"><b>Angular 4 pin EN 175301-803-A</b></p> <p style="text-align: center;">G 1/4 - A - ISO 1179-2</p>

**Note:** All dimensions are in mm if nothing else stated.

## Connections

### Electrical connection

Electrical connection specifications	M12x1.0	Metri-Pack 150.2 (Round)	Angular DIN plug Pg 9
HEX 27			
Pin-plating	Gold (Au)	Tin (Sn)	Tin (Sn)
Output signal 4 – 20 mA Pin configuration	Pin 1: +Supply Pin 2: not connected Pin 3: -Supply	Pin A: -Supply Pin B: +Supply Pin C: not connected	Pin 1: +Supply Pin 2: -Supply Pin 3: not connected Pin 4: Ground not connected
Output signal Ratiometric (10 – 90%) Pin configuration	–	Pin A: -Supply Pin B: +Supply Pin C: Output	Pin 1: +Supply Pin 2: -Supply Pin 3: Output Pin 4: Ground not connected

## Certificates, declarations and approvals

The list contains all certificates, declarations, and approvals for this product type. Individual code number may have some or all of these approvals, and certain local approvals may not appear on the list.

When you click on the link you will be directed to the latest version of the 'Declaration of Conformity'. Products developed and sold before this date of issue conform to the directives/standards in force at the time of their sale.

Approval type	Title	Certification body	Approval topic
Hygienic Certificate	<a href="#">NSF C0252992</a>	NSF International	Drinking Water
Electrical Safety Certificate	<a href="#">UL E510763</a>	UL - Underwriters Laboratories inc.	
Hygienic Certificate	<a href="#">NSF C863837</a>	NSF International	Drinking Water
Manufacturer's Declaration	<a href="#">Pressure Equipment Directive (PED)</a>	Danfoss	PED, Pressure
Electrical Safety Certificate	<a href="#">UL E31024</a>	UL - Underwriters Laboratories inc.	
Electrical Safety Certificate	<a href="#">UL E494625</a>	UL - Underwriters Laboratories inc.	
Explosive Safety Certificate	<a href="#">UL E227388</a>	UL - Underwriters Laboratories inc.	UL-CSA, Explosive
Hygienic Certificate	<a href="#">WRAS 2304018</a>	WRAS - Water Regulations Advisory Scheme	Drinking Water
EU-UK Declaration	<a href="#">Danfoss EU-UK 075R0010.04</a>	Danfoss	EMC, EU RoHS, UK RoHS
UA Declaration	<a href="#">Danfoss UA 2024-07-25 cooling sensors</a>	Danfoss	EMC, LVD
UA Declaration	<a href="#">Danfoss UA 2023-01-10 Regulators PL01 PL04</a>	Danfoss	PED, Pressure
Export Control Declaration	<a href="#">Pressure &amp; Temperature Sensors</a>	Danfoss	
Pressure Safety Certificate	<a href="#">LLC CDC EURO-TYSK UA.TR.089.1015.05-22</a>	LLC CDC EURO TYSK - Ukraine	Pressure
Export Control Declaration	<a href="#">Refrigerant Leakage Sensor</a>	Danfoss	
Hygienic Certificate	<a href="#">WRAS 260302024</a>	WRAS - Water Regulations Advisory Scheme	Drinking Water
EAC Declaration	<a href="#">EAC KZ 7100841.13.12.00005</a>	EAC - Eurasian Customs Union	EMC

- NSF and WRAS listed for 1/4-18NPT and R1/4 versions

## Contact details

### Online support

Danfoss offers a wide range of support along with our products, including digital information, software, mobile apps and expert guidance. See the possibilities below.



#### The Danfoss Design center

Discover the Design Center, our advanced digital platform that streamlines product selection. With integrated tools and enhanced type pages, it's simpler than ever to access product information and documentation, and to select the right products. Check the availability of Danfoss products at partner locations and enjoy seamless transitions from selection to purchase with our basket-to-basket functionality. Whether you're buying from our distributors or directly from the Product Store, the Design Center simplifies your experience. Learn more at: [designcenter.danfoss.com](https://designcenter.danfoss.com).



#### The Danfoss product store

The Danfoss Product Store is a one-stop shop available 24/7 for our customers, no matter where you are in the world or what area of industry you work in. Browse our catalog, check product details and documentation, view your prices and product availability, and quickly finalize your purchase. Start browsing at: [store.danfoss.com](https://store.danfoss.com).



#### Danfoss Partner Portal/Product Data tool

Designed to support you with easy access to product data extracts, essential resources, tools, and information. The Partner Portal provides a centralized hub for product documentation, training materials, marketing assets, and technical support, ensuring you have everything you need to succeed and grow your business with Danfoss. The Partner Portal is available 24/7 at: [partner.danfoss.com](https://partner.danfoss.com) and is ready to support your business.



#### Find technical documentation

Find technical documentation you need to get your project up running. Get direct access to our official collection of data sheets, certificates and declarations, manuals and guides, 3D models and drawings, case stories, brochures, and much more. Start searching now at: [documentation.danfoss.com](https://documentation.danfoss.com).



#### Danfoss Learning

Danfoss Learning is a free online learning platform. It features courses and materials specifically designed to help engineers, installers, service technicians, and wholesalers better understand the products, applications industry topics, and trends that will help you do your job better. Find your local Danfoss website here: [learning.danfoss.com](https://learning.danfoss.com).



#### Get local information and support

Local Danfoss websites are the main sources for help and information about our company and products. Find product availability, get the latest regional news, or connect with a nearby expert - all in your own language. Find your local Danfoss website here: [danfoss.com](https://danfoss.com).

#### Danfoss A/S

Climate Solutions . danfoss.com . +45 7488 2222

---

Any information, including, but not limited to information on selection of product, its application or use, product design, weight, dimensions, capacity or any other technical data in product manuals, catalogues description, advertisements, etc. and whether made available in writing, orally, electronically, online or via download, shall be considered informative, and is only binding if and to the extent, explicit reference is made in a quotation or order confirmation. Danfoss cannot accept any responsibility for possible errors in catalogues, brochures, videos and other material. Danfoss reserves the right to alter its products without notice. This also applies to products ordered but not delivered provided that such alterations can be made without changes to form, fit or function of the products. All trademarks in this material are property of Danfoss A/S or Danfoss group companies. Danfoss and the Danfoss logo are trademarks of Danfoss A/S. All rights reserved.

---