



Steering Wheel Sensor Type SASA



Revision history

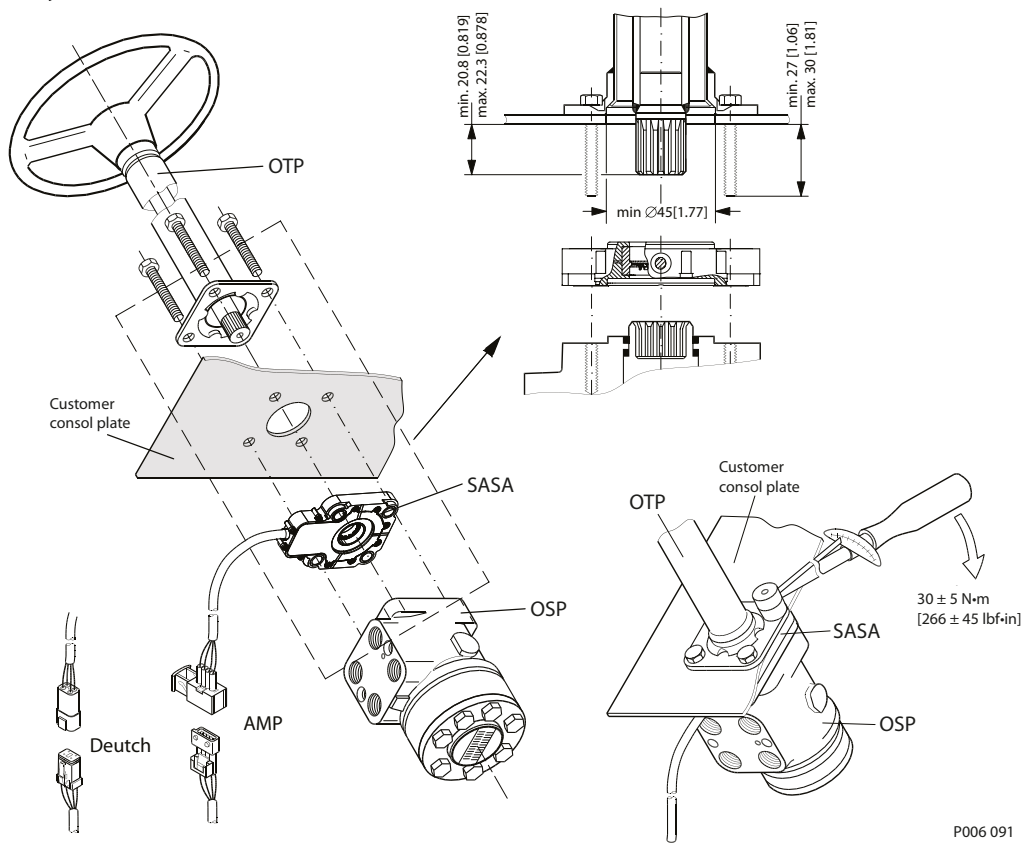
Table of revisions

Date	Changed	Rev
April 2026	Rev number made to agree with DAM Hub	0303
April 2026	Converted to new visual standard	0202
December 2025	Corrected cable connections specs	0201
	Changed document number from 'AN00000360' to 'AN234886485384'	XX
June 2017	First edition	0101

SASA Assembly

Cable Connections.....4
Warning.....5

SASA Assembly



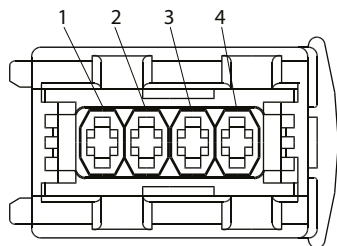
P006 091

There is a risk of bending the spline profile of SASA sensor in case of using force. Make sure that the spline profile of the SASA sensor is aligned to the profile of the steering column shaft. A safe method of assembly is to place SASA sensor on the steering column spline shaft first - and not opposite!

Cable Connections

AMP connector version, type 2-967059-1

AMP connector pin-out



1. CAN-Low
2. + Supply voltage
3. Ground
4. CAN-High

Mating connector assembly	AMP type 2-965261-1
JPT contact	2-962915-1
Wire sealing	828904-1

DEUTSCH connector version, type DT04-4P-CE02*DEUTSCH connector pin-out*

1. CAN-High
2. CAN-Low
3. + Supply voltage
4. Ground

Housing	DT04-4S-CE02
Crimp	0462-201-16141
Wedge	W4S

Warning

All types of sensors are used under a wide range of operating conditions, in many types of machines and therefore may fail and cause serious injury or damage.

The machine manufacturer has the sole responsibility for determining which product is most suitable and ensuring that requirements on performance, safety and warnings are met for all machines.

It is important that the machine will be analysed in all details.

When choosing a control system and level of safety, ISO 13849 (Safety-related parts of control systems) may provide suitable help.



Hydro-Gear

www.hydro-gear.com

Daikin-Sauer-Danfoss

www.daikin-sauer-danfoss.com

Explore our solutions at danfoss.com.

Additional product literature is available at powersource.danfoss.com.

**Danfoss
Power Solutions (US) Company**
2800 East 13th Street
Ames, IA 50010, USA
Phone: +1 515 239 6000

**Danfoss
Power Solutions GmbH & Co. OHG**
Krokamp 35
D-24539 Neumünster, Germany
Phone: +49 4321 871 0

**Danfoss
Power Solutions ApS**
Nordborgvej 81
DK-6430 Nordborg, Denmark
Phone: +45 7488 2222

**Danfoss
Power Solutions Trading
(Shanghai) Co., Ltd.**
Building #22, No. 1000 Jin Hai Rd
Jin Qiao, Pudong New District
Shanghai, China 201206
Phone: +86 21 2080 6201

Danfoss can accept no responsibility for possible errors in catalogues, brochures and other printed material. Danfoss reserves the right to alter its products without notice. This also applies to products already on order provided that such alterations can be made without subsequent changes being necessary in specifications already agreed. All trademarks in this material are property of the respective companies. Danfoss and the Danfoss logotype are trademarks of Danfoss A/S. All rights reserved.