

Installation guide

# Solenoid valve

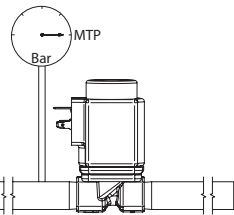
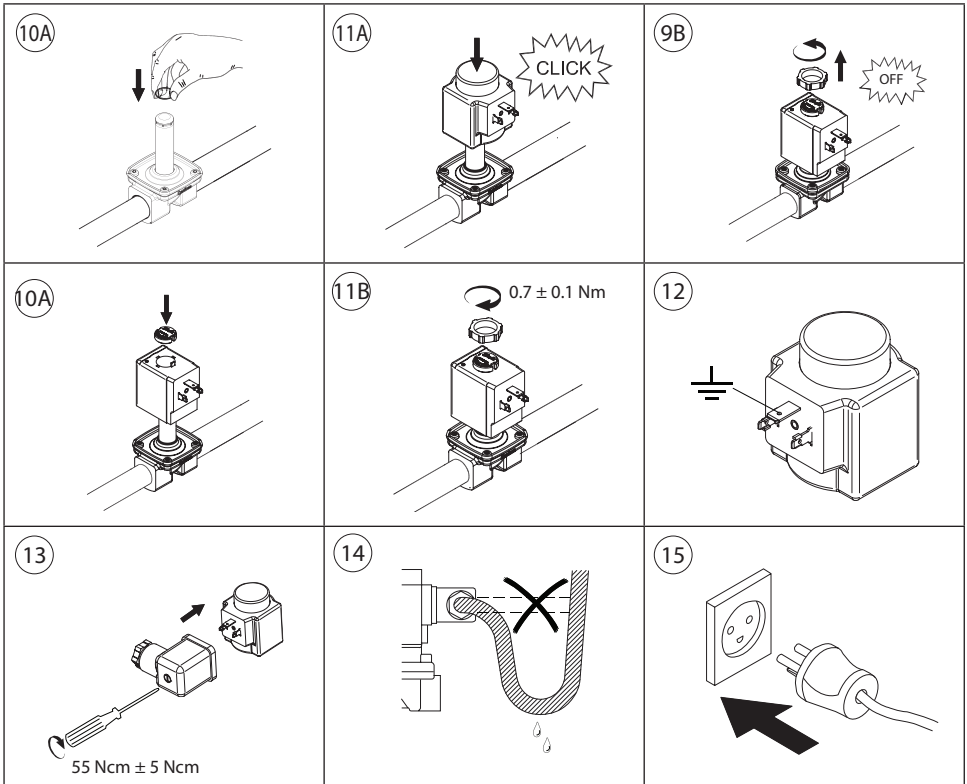
Type EV221BW 10 - 22

132R9013

132R9013

<p><b>A</b></p>	<p><b>B</b></p>	<p><input checked="" type="checkbox"/></p> <p>≥ 297 Microns</p> <p><input checked="" type="checkbox"/></p> <p>ON</p> <p>OFF</p> <p>24h</p>
<p><b>1</b></p>	<p><b>2</b></p>	<p><b>3</b></p>
<p><b>4</b></p> <p>Max. 90° Recommended 15°</p> <p>Max. 90° Recommended 15°</p>	<p><b>5</b></p> <p>Max. 90° Recommended 15°</p> <p>Max. 90° Recommended 15°</p>	<p><b>6</b></p>
<p><b>7</b></p>	<p><b>8</b></p>	<p><b>9A</b></p> <p>OFF</p>

Info for UK customers only: Danfoss Ltd., 22 Wycombe End, HP9 1NB, GB



Drinking water approval			
 1002		Valid in	Certificate no.
EV221BW 15-22 BE	DK, SE	SCO1555-18 *)	
*) <a href="http://publiccert.extweb.sp.se/sv/Product/List/">http://publiccert.extweb.sp.se/sv/Product/List/</a> Wetted parts in accordance with DVGW, 4MS, KTW and W270			

DN	Max. Working Pressure (MWP)	Max. Test pressure (PT)
	[bar]	[bar]
10 - 22	10	15
EN 60730-2-8		

Visit [www.products.danfoss.com](http://www.products.danfoss.com) for further technical data  
 Para más información, visite [www.products.danfoss.es](http://www.products.danfoss.es)  
 Rendez-vous sur le site [www.products.danfoss.fr](http://www.products.danfoss.fr) pour plus de données techniques

Any information, including, but not limited to information on selection of product, its application or use, product design, weight, dimensions, capacity or any other technical data in product manuals, catalogues descriptions, advertisements, etc. and whether made available in writing, orally, electronically, online or via download, shall be considered informative, and is only binding if and to the extent, explicit reference is made in a quotation or order confirmation. Danfoss cannot accept any responsibility for possible errors in catalogues, brochures, videos and other material. Danfoss reserves the right to alter its products without notice. This also applies to products ordered but not delivered provided that such alterations can be made without changes to form, fit or function of the product.  
 All trademarks in this material are property of Danfoss A/S or Danfoss group companies. Danfoss and the Danfoss logo are trademarks of Danfoss A/S. All rights reserved.