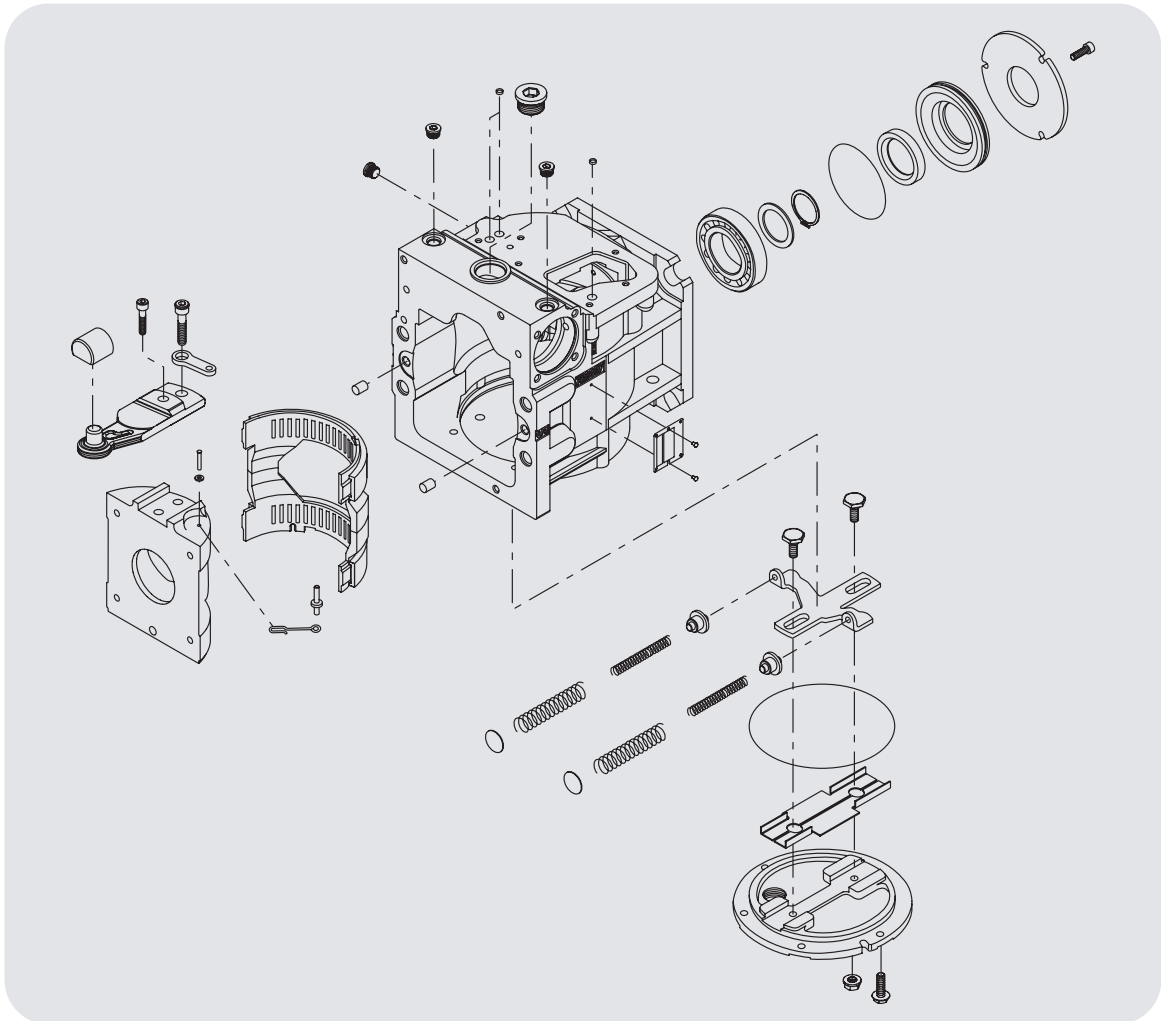




Series 90 130cc

Variable Displacement

Pump



Revision history

Table of revisions

Date	Changed	Rev
March 2026	Converted to 2026 format	0701

General information

Service parts identification.....	6
Nameplate.....	6
Date code.....	7
Service bulletins.....	7
Procedure to identify a part.....	7
Notes.....	8
Order code.....	9

Common parts and special hardware

Common parts.....	10
Special hardware EAT-EDD.....	14
Special hardware EEB-EEG.....	18
Special hardware EFC-EGA.....	20
Special hardware EHA-EHB.....	24
Special hardware FAD-FBH.....	26
Special hardware GAA-GAB.....	28
Special hardware GB2-GB3.....	30
Special hardware GB4-GB7.....	32
Special hardware GB9.....	34
Special hardware GBA-GBK.....	36
Special hardware GBL.....	38
Special hardware GBP-GBT.....	40
Special hardware GBV-GBY.....	42
Special hardware GBZ.....	44
Special hardware GCA-GCG.....	46
Special hardware GCH-GDA.....	48
Special hardware GDB-GGA.....	52
Special hardware GHP-GLS.....	56
Special hardware HBA.....	60
Special hardware GP7-GP9.....	62
Special hardware GTA-HBA.....	64
Special hardware HCA-JAA.....	66
Special hardware JCA-JCF.....	70
Special hardware PEA-PGA.....	74

Displacement limitation

Displacement limitation 1-4.....	76
Displacement limitation 7.....	78
Displacement limitation B.....	80
Displacement limitation D.....	82
Displacement limitation E.....	84
Displacement limitation H.....	86
Displacement limitation R-S.....	88

End cap

End cap 80-82.....	90
End cap 84-85.....	92
End cap 86-87.....	94
End cap 8C.....	96
End cap 8E.....	98
End cap 8F.....	100
End cap 8J.....	102
End cap 8K.....	104
End cap 8N.....	106
End cap 8W.....	108

Charging system

Charging system F-R.....	110
Charging system U-Z.....	114

Auxiliary mounting

Auxiliary mounting A-AN.....	116
Auxiliary mounting B-V.....	118
Auxiliary mounting BS-CB.....	122
Auxiliary mounting C-CK.....	124

Auxiliary mounting CL-CM.....	128
Auxiliary mounting CS-CY.....	130
Auxiliary mounting D-DJ.....	132
Auxiliary mounting NN-NV.....	136
Charge pressure relief	
Charge pressure relief 14-XX.....	138
Shaft	
Shaft C4-TN.....	140
Control	
Control CA-DD.....	144
Control EA.....	146
Control FB.....	148
Control FG-FH.....	150
Control HF-HS.....	152
Control K7-KB.....	154
Control KC-KM.....	158
Control KN-KT.....	162
Control LD-LP.....	164
Control LW-M8.....	166
Control MA-MB.....	168
Control ME-MH.....	170
Control M0-MV.....	172
Control NA.....	174
Control NU.....	176
Control PA-PB.....	178
Control RS.....	180
Control SA-SE.....	182
Filtration	
Filtration 1-D.....	184
Filtration L-R.....	186
Filtration S.....	188
High pressure regulation	
High pressure regulation 1-6.....	190
High pressure regulation A-D.....	194
High pressure regulation F-Z.....	196
Orifice	
Orifice 00-23.....	198
Orifice 25-33.....	202
Orifice 34-49.....	206
Orifice 50-A8.....	210
Orifice B1-G1.....	214
Orifice G4-Z3.....	218
Overhaul seal kit	
Overhaul seal kit.....	222
Service Bulletins	
BLN-10107.....	223
SB-1991-014.....	224
SB-1992-003A.....	225
SB-1994-025.....	228
SB-1994-036.....	230
SB-1995-003.....	231
SB-1996-004.....	233
SB-1997-018.....	235
SB-1999-010.....	236
SB-1999-041.....	237
SB-1999-065A.....	239
SB-2000-022.....	241
SB-2002-014.....	243
SB-2007-008A.....	244

SB-2009-074.....246
SB-2009-075.....248
SB-2009-076.....250
SB: HY2026-004.....252

General information

Service parts identification

The following information and procedure is used to identify the module group, item number, manufacture date, part number, and part name of the parts included in the product.

The parts listed include all parts which may be used when performing either "Minor Repairs", "Major Repairs" or "Conversions" on the product.

Nameplate

Each unit will have a nameplate affixed to the housing. The nameplate will include the following information.

Model number

The Danfoss model number is used by the factory in manufacturing. On repeat orders, a complete unit can be ordered by the model number.

Model code

The Danfoss model code completely defines the specific unit and must be used when ordering parts to service this product.

Serial number

The Danfoss serial number is used to identify the manufacture date and the unit sequence in the build. The serial number is also used to identify the units warranty time period.

The letter code indicates the location of original manufacture (assembly). "A" indicates the unit was originally assembled in Ames, Iowa, USA. "N" indicates the unit was originally assembled in Neumunster, Germany.

The first number (2 digits) indicates the year of manufacture. ("01" would indicate the unit was manufactured in 2001).

The second number (2 digits) indicates the calendar week of manufacture.

The third number (5 digits) is a sequential number used to identify a specific unit.



Date code

The date code is defined as the year and week of manufacture. The same item number may list more than one part number. This indicates that there is more than one configuration for that item number. You will see that there are different date codes for the different part numbers. Find the date code of your unit from the nameplate to determine which service part number you need to order.

EXAMPLE: The service part desired is Item E10

Order code: 80

Item	Date begin	Date end	Part number	Part name	Qty. per model/kit
E10	92-19		746107	Side cover	1
G30	89-41	92-18	340133	Side cover (SB-1992-003)	1

All units using this order code with a date code of 89-41 and up to and including 92-18, must use part number "340133". All units with a date code of 92-19 and newer must use part number "746107."

Service bulletins

A Service Bulletin Number (SB-____-____) may follow the "Part Name" of the part you desire. You must read that Service Bulletin prior to ordering that part. The information contained in these Service Bulletins, as of the print date of this bulletin, are included at the end of this manual. Service Bulletins contain more detailed information such as interchangeability, what additional parts are involved, etc. It is suggested that you add additional Service Bulletins to this manual as you receive them.

Procedure to identify a part

General

The modular design of Series 90 units results in a simplified service parts list and part number identification procedure.

The same item numbers are used for same part names on all units within a product type. (Example: The lip seal - Item L40 has the same item number on all pumps).

A part number that has another number following it in parentheses is done to make this a world wide manual. The first number is sold in Germany. The number in parentheses is sold in the United States. (Example: 001149 (9004201-6200), customers would order 9004201- 6200 if ordering the part in the United States).

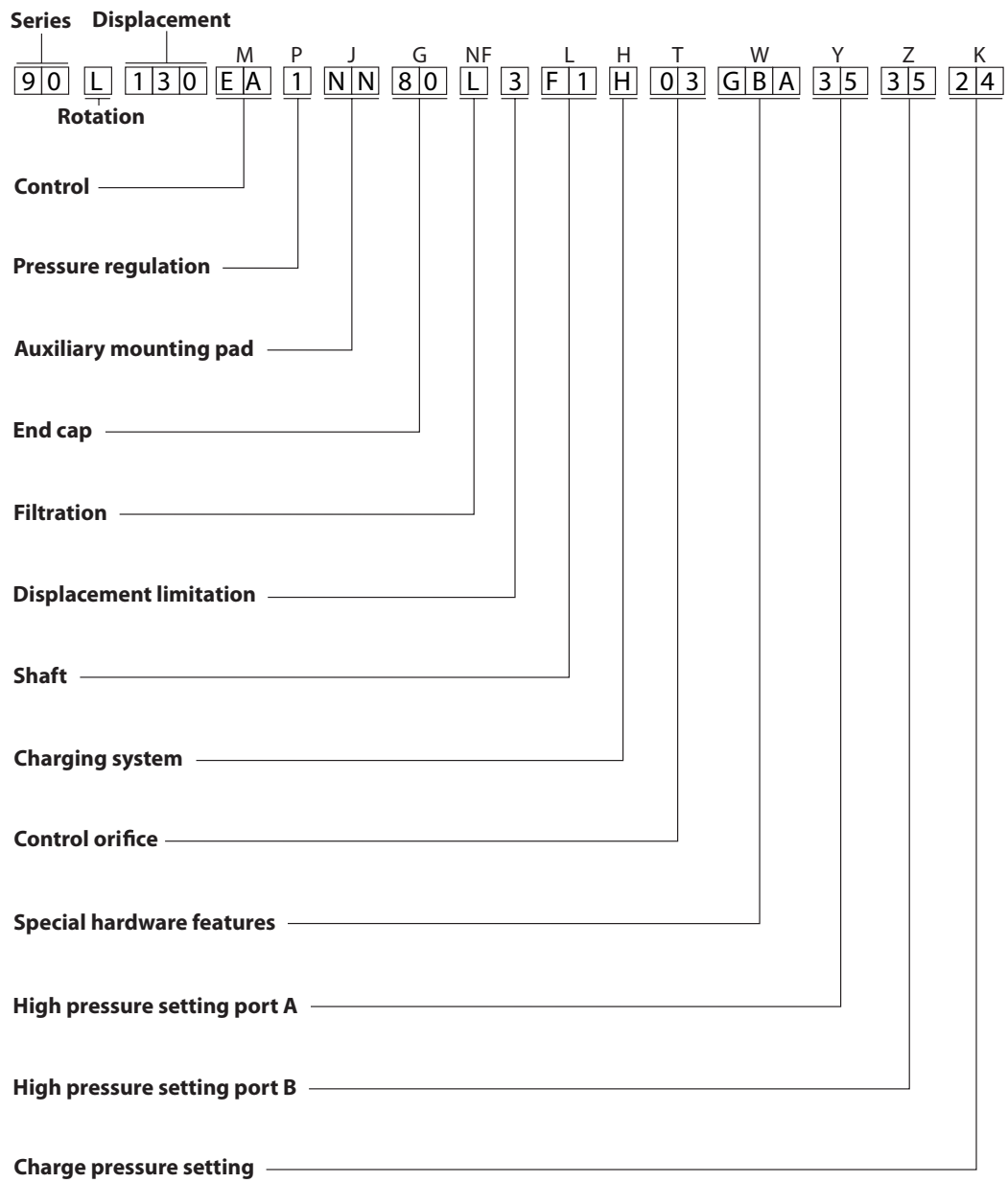
Example of a part identification

The nameplate on a Series 90 pump has an Order Code of 90L130 EA 1 NN 80 L 3 F1 H 03 GBA 35 35 24. Use the following procedures to determine the part number of the drive shaft used on this pump.

1. Referring to the input shaft module in the Order Code (see page 7), the input shaft option for this pump is identified by the code "F1. (90L130 EA 1 NN 80 L 3 **F1** H 03 GBA 35 35 24)
2. Referring to the Service Parts List, find the shaft group. Next find the order code that relates to this unit, which is "F1". The shaft is found to be item L100 and part number 335695.

Notes

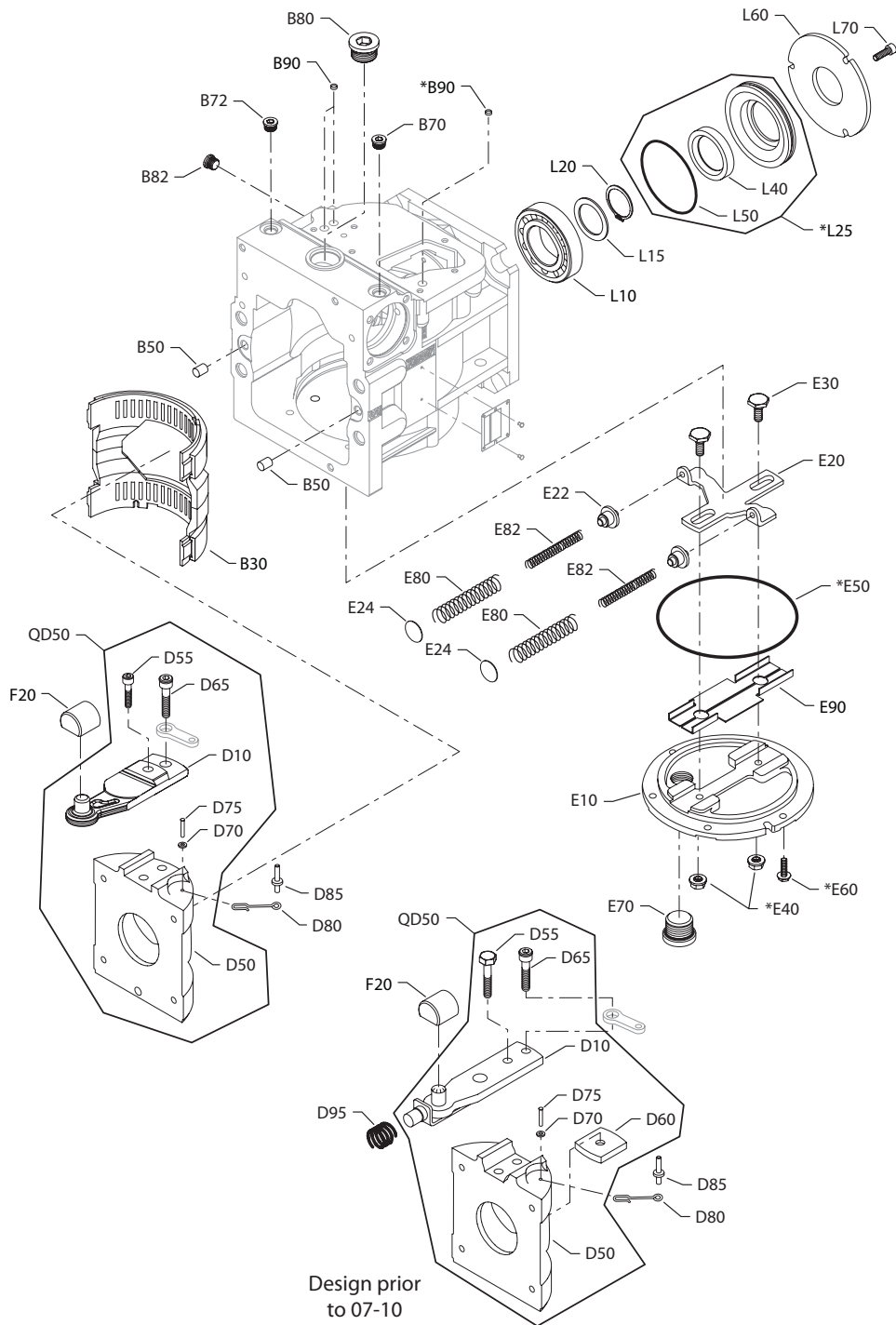
Order code



Common parts and special hardware

Common parts

Parts configuration

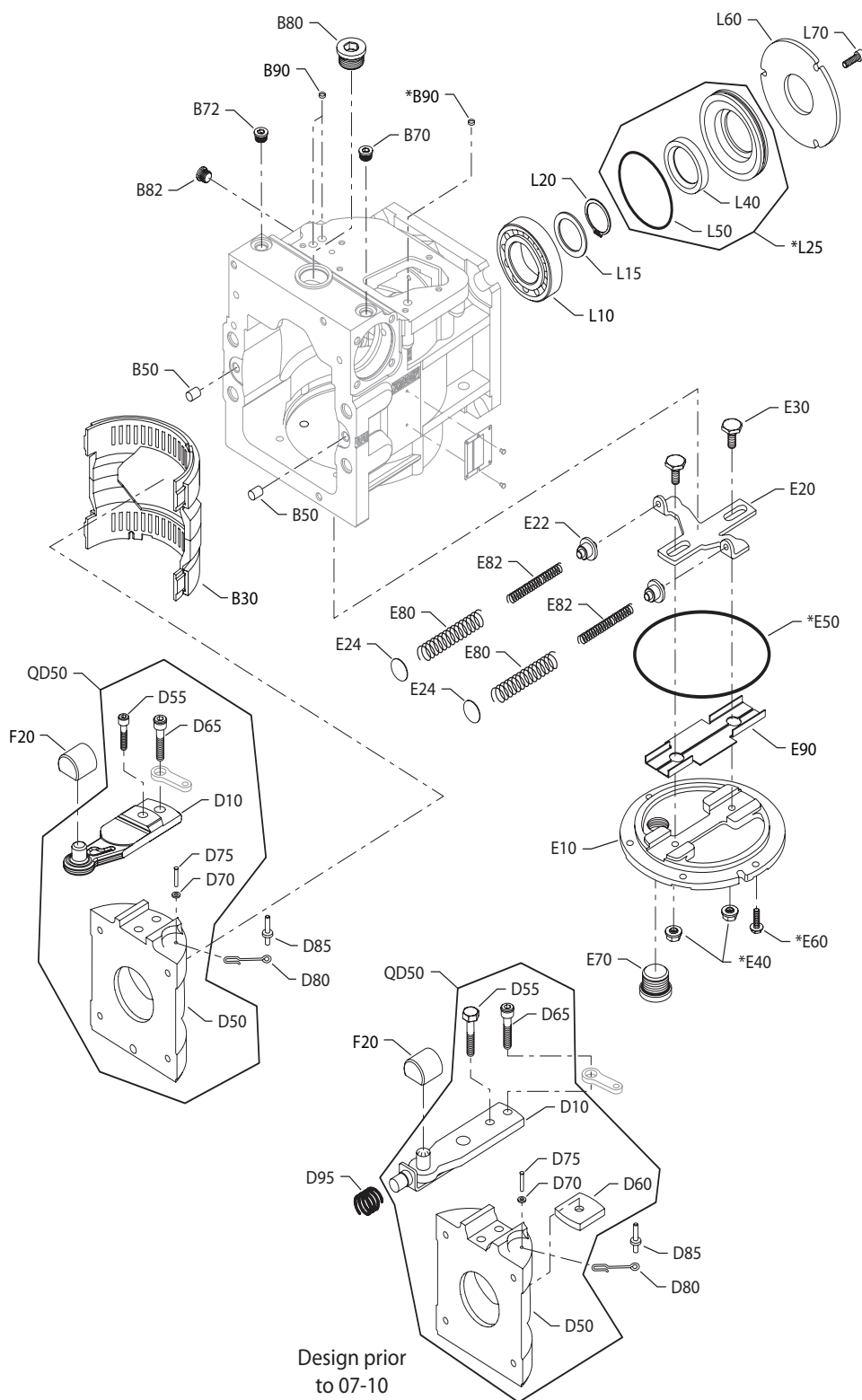


* = included in overhaul seal kit Q210

Common Parts

Item	Date begin	Date end	Part number	Part name	Qty. per model/kit
B50	89-41		9004800-3708	Pin	2
B70	89-41		140644	Plug assembly	1
B72	89-41		140644	Plug assembly	1
B80	89-41		320002 (9005110-9200)	Plug assembly	1
B82	92-19		140644	Plug assembly (SB-1992-003A on page 225)	1
B90	89-41		9803390	Control filter screen	3
D10	07-10		11000397	Servo arm (SB-2007-008A on page 244)	1
D10	05-49	07-09	303214	Servo arm assembly	1
D50	07-10		11001678	Swashplate (SB-2007-008A on page 244)	1
D50	88-16	07-09	516204-S	Swashplate	1
D55	07-10		519150	Screw (SB-2007-008A on page 244)	1
D55	89-41	07-09	9007276-0111	Screw	1
D60	89-41	07-09	766022	Swashplate guide (SB-2007-008A on page 244)	1
D65	89-41		504493-S	Screw	1
D70	89-41		127464	Washer	1
D75	89-41		333369	Spiral head pin	1
D80	89-41		700948-S	Cage locator link	1
D85	89-41		11003805	Pin (SB-2007-008A on page 244)	1
D95	89-41	07-09	303420	Spring (SB-2007-008A on page 244)	1
E10	07-10		11001326	Side cover (SB-2007-008A on page 244)	1
E10	92-19	07-09	11027814	Side cover assembly (SB-1992-003A on page 225 & SB-1996-004 on page 233)	1
E20	99-50		11047979	Leveler (SB-1999-010 on page 236 & SB-2007-008A on page 244)	1
E22	99-50		11139634	Spring seat (SB-2007-008A on page 244)	2
E24	92-19		359067	Shim	2
E30	96-03		11056592	Guide post (SB-1996-004 on page 233)	2
E30	92-19	96-02	503205	Guide post (SB-1992-003A on page 225)	2
E40	89-41		042432	Seal nut	2
E50	89-41		517379	O-ring	1
E60	89-41		517230	Screw (SB-2002-014 on page 243)	6
E70	89-41		320002 (9005110-9200)	Plug assembly	1
E80	89-41		517160	Spring (SB-1997-018 on page 235)	2
E82	89-41		517161	Spring (SB-1997-018 on page 235)	2
E90	96-03		513890	Insert assembly (SB-1996-004 on page 233 & SB-1999-041 on page 237)	1
F20	88-16		11116309	Slider block	1
L10	89-41		11018484	Roller bearing	1
L15	94-02		376319	Ring	1
L20	89-41		392209	Retaining ring	1
L25	92-19		519732	Seal carrier assembly (SB-2007-008A on page 244)	1
L40	07-10		519021	Lip seal (SB-2007-008A on page 244)	1
L40	89-41	07-09	9008000-0114	Lip seal	1
L50	89-41		509353	O-ring	1
L60	89-41		516769	Retainer plate	1

Parts configuration



* = included in overhaul seal kit Q210

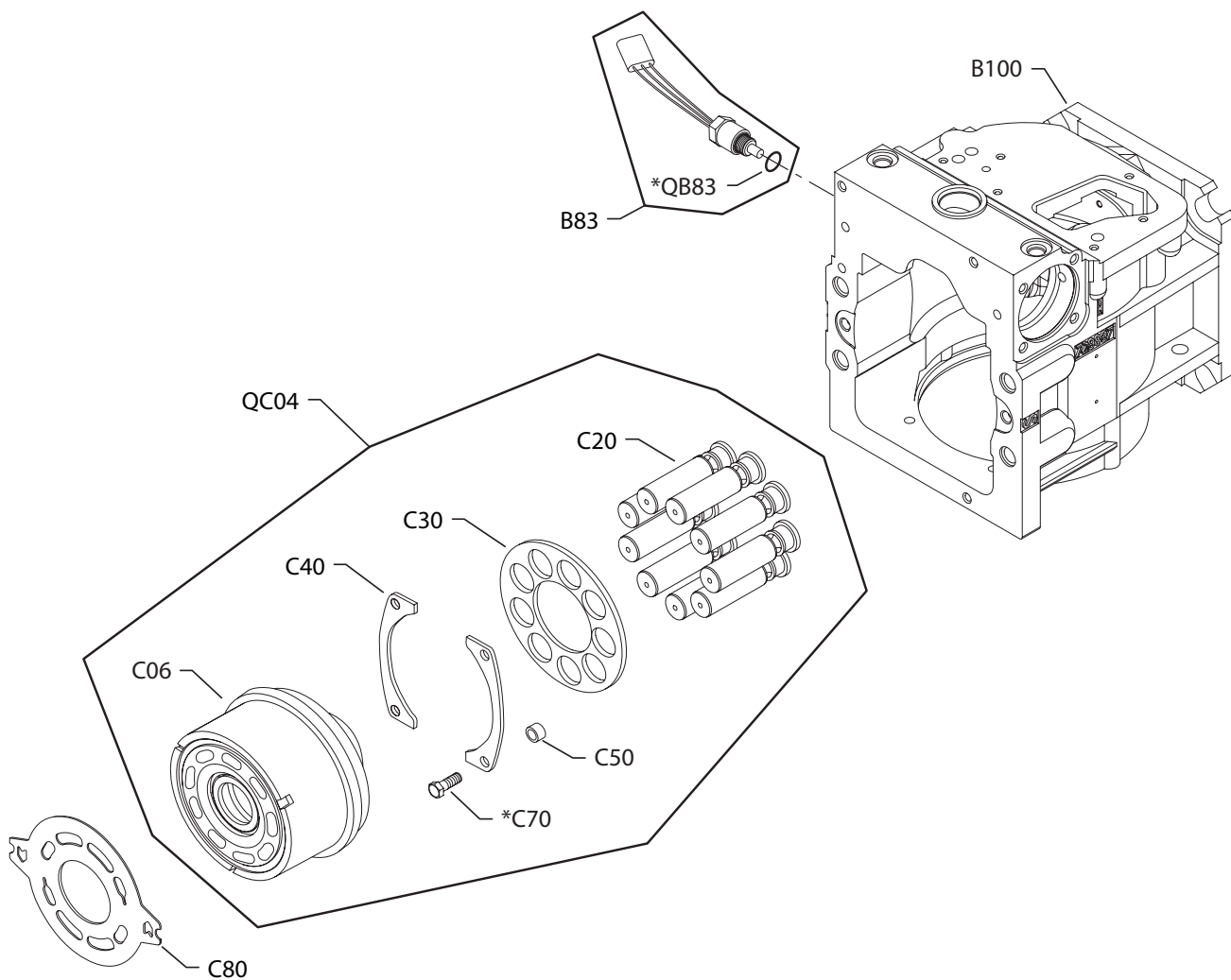
Common parts (continued)

Item	Date begin	Date end	Part number	Part name	Qty. per model/kit
L70	89-41		009159	Screw	4
QB30	07-10		11000866	Cradle bearing assembly (SB-2007-008A on page 244)	1
QB30	89-41	07-09	324657	Cradle bearing assembly	1
QD50	07-10		11031840	Swashplate kit	1
QD50	88-16	07-09	521382	Swashplate (SB-2007-008A on page 244)	1

Special hardware EAT-EDD

Parts configuration

(EAT, EBA, EDB & EDD)



A generic speed sensor is shown.

Special hardware EAT-EDD*Order code: EAT*

Item	Date begin	Date end	Part number	Part name	Qty. per model/kit
B83	99-50		11046858	Speed sensor	1
B100	07-10		11026913	Housing assembly (<i>SB-2007-008A</i> on page 244)	1
B100	99-50	07-09	8510060	Housing assembly (<i>SB-1992-003A</i> on page 225)	1
C06	99-50		519259	Cylinder block assembly, with speed ring	1
C20	99-50		727750	Piston assembly, welded	9
C30	99-50		11067352	Slipper retainer	1
C40	99-50		700963	Slipper guide bearing	2
C50	99-50		509015	Spacer	4
C70	99-50		308643-S	Screw	4
C80	99-50		518807	Valve plate	1
QB83	99-50		9004201-3700	O-ring	1
QC04	99-50		519275	Cylinder block kit, with speed ring	1

Order code: EBA

B83	92-19		KPPG13408	Speed sensor	1
B100	07-10		11026913	Housing assembly (<i>SB-2007-008A</i> on page 244)	1
B100	92-19	07-09	8510060	Housing assembly (<i>SB-1992-003A</i> on page 225)	1
C06	92-19		519259	Cylinder block assembly, with speed ring	1
C20	92-19		727750	Piston assembly, welded	9
C30	92-19		11067352	Slipper retainer	1
C40	92-19		700963	Slipper guide bearing	2
C50	92-19		509015	Spacer	4
C70	92-19		308643-S	Screw	4
C80	92-19		518807	Valve plate	1
QB83	92-19		9004201-3700	O-ring	1
QC04	92-19		519275	Cylinder block kit, with speed ring	1

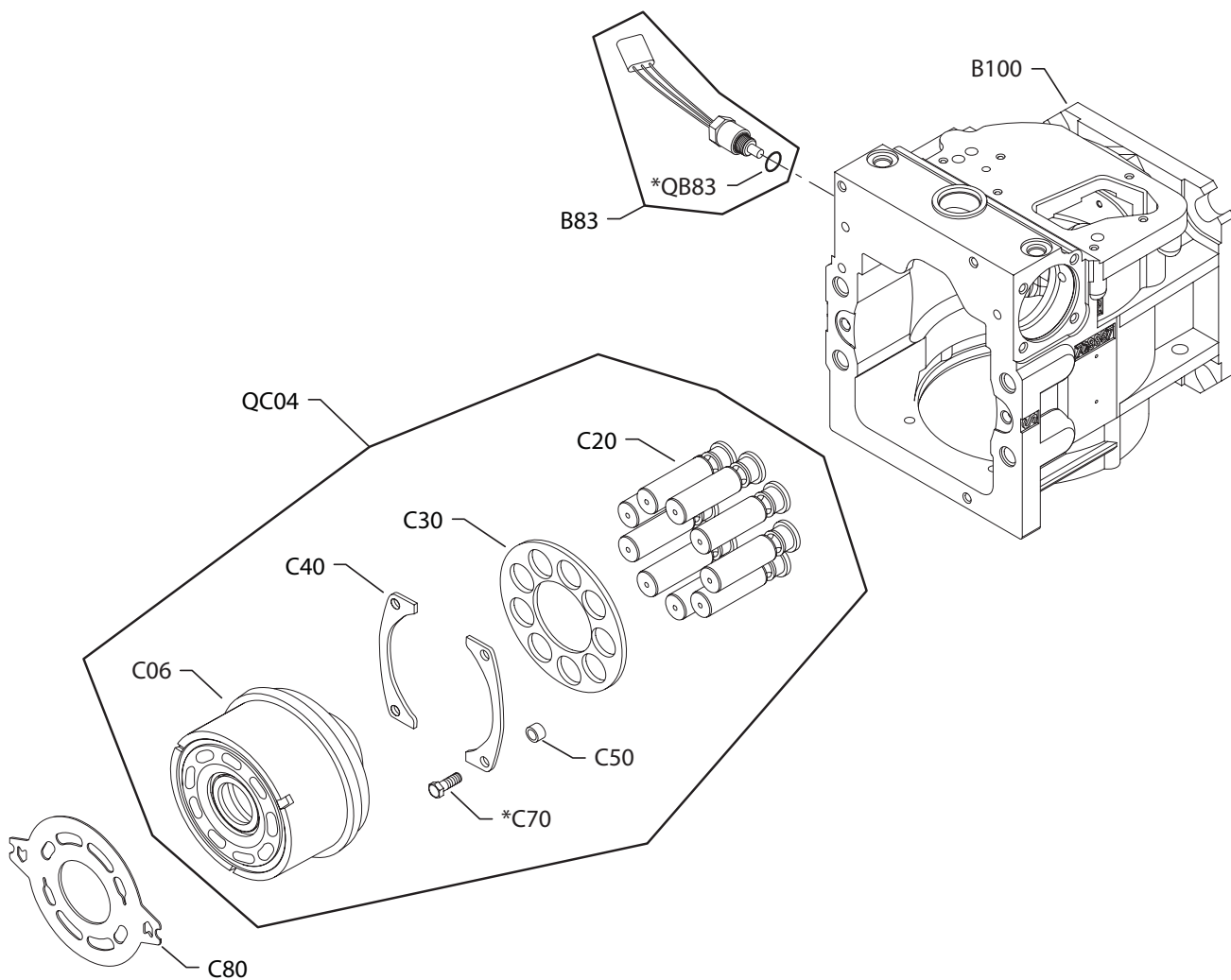
Order code: EDB

B83	92-19	08-03	KPPG15408	Speed sensor	1
B100	07-10	08-03	11026913	Housing assembly (<i>SB-2007-008A</i> on page 244)	1
B100	92-19	07-09	8510060	Housing assembly (<i>SB-1992-003A</i> on page 225)	1
C06	92-19	08-03	519259	Cylinder block assembly, with speed ring	1
C20	92-19	08-03	727750	Piston assembly, welded	9
C30	92-19	08-03	11067352	Slipper retainer	1
C40	92-19	08-03	700963	Slipper guide bearing	2
C50	92-19	08-03	509015	Spacer	4
C70	92-19	08-03	308643-S	Screw	4
C80	92-19	08-03	518807	Valve plate	1
QB83	92-19	08-03	9004201-3700	O-ring	1
QC04	92-19	08-03	519275	Cylinder block kit, with speed ring	1

Special hardware EAT-EDD

Parts configuration

(EAT, EBA, EDB & EDD)



A generic speed sensor is shown.

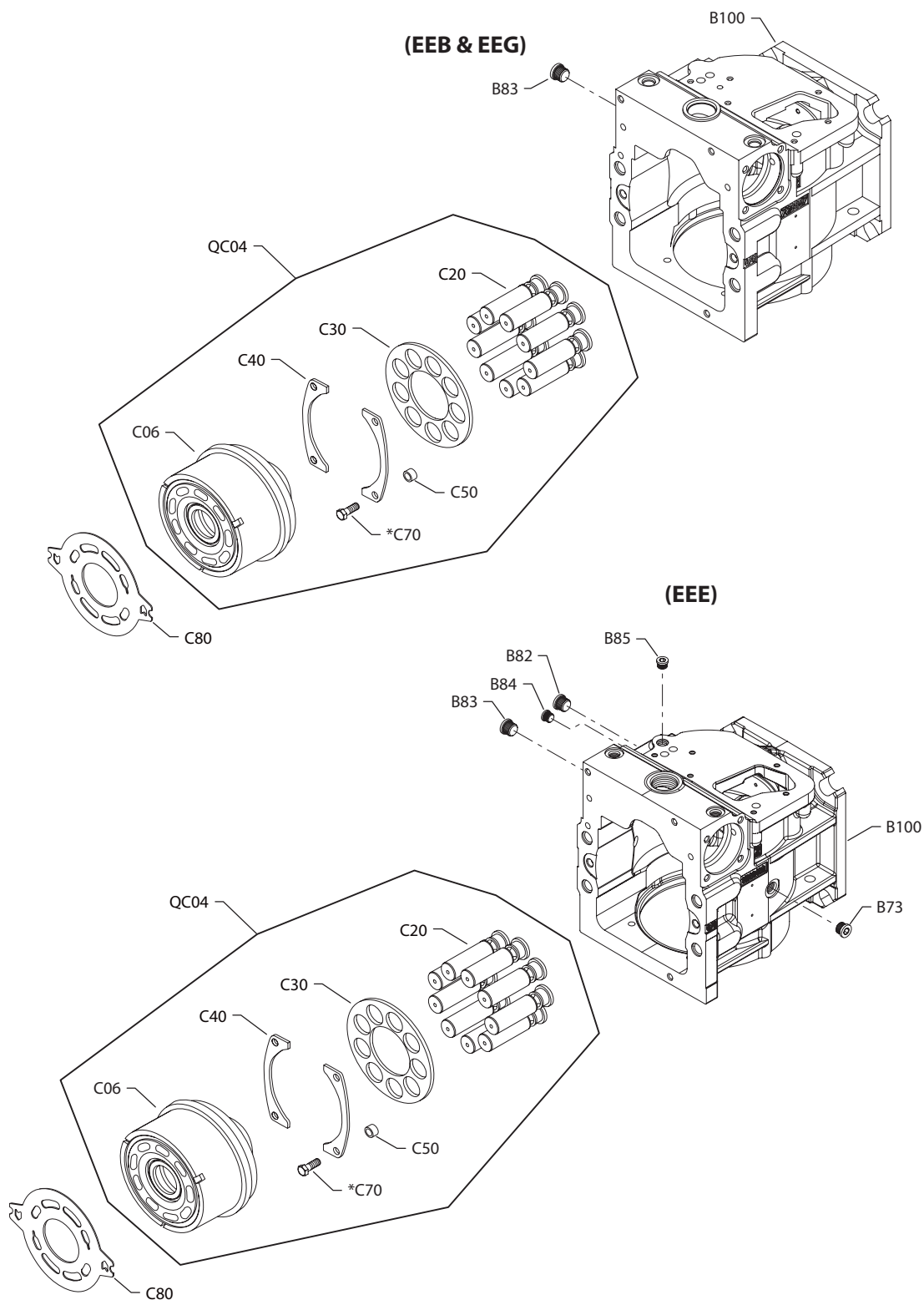
Special hardware EAT-EDD

Order code: EDD

Item	Date begin	Date end	Part number	Part name	Qty. per model/kit
B83	92-19	12-36	KPPG12408	Speed sensor	1
B100	07-10	12-36	11026913	Housing assembly (<i>SB-2007-008A</i> on page 244)	1
B100	92-19	07-09	8510060	Housing assembly (<i>SB-1992-003A</i> on page 225)	1
C06	92-19	12-36	519259	Cylinder block assembly, with speed ring	1
C20	92-19	12-36	727750	Piston assembly, welded	9
C30	92-19	12-36	11067352	Slipper retainer	1
C40	92-19	12-36	700963	Slipper guide bearing	2
C50	92-19	12-36	509015	Spacer	4
C70	92-19	12-36	308643-S	Screw	4
C80	92-19	12-36	518808	Valve plate	1
QB83	92-19	12-36	9004201-3700	O-ring	1
QC04	92-19	12-36	519275	Cylinder block kit, with speed ring	1

Special hardware EEB-EEG

Parts configuration



* = included in overhaul seal kit Q210

Special hardware EEB-EEG*Order code: EEB*

Item	Date begin	Date end	Part number	Part name	Qty. per model/kit
B83	92-19		140644	Plug assembly	1
B100	07-10		11026913	Housing assembly (<i>SB-2007-008A</i> on page 244)	1
B100	92-19	07-09	8510060	Housing (<i>SB-1992-003A</i> on page 225)	1
C06	92-19		519259	Cylinder block assembly with speed ring	1
C20	92-19		727750	Piston assembly, welded	9
C30	92-19		11067352	Slipper retainer	1
C40	92-19		700963	Slipper guide bearing	2
C50	92-19		509015	Spacer	4
C70	92-19		308643-S	Screw	4
C80	92-19		518807	Valve plate	1
QC04	92-19		519275	Cylinder block kit, with speed ring	1

Order code: EEE

B73	00-13	12-36	140644	Plug assembly	1
B83	00-13	12-36	140644	Plug assembly	1
B84	00-13	12-36	509603	Plug assembly, M10 x 1	1
B85	00-13	12-36	509603	Plug assembly, M10 x 1	1
B100	07-10	12-36	11006984	Housing (<i>SB-2007-008A</i> on page 244)	1
C06	00-13	12-36	519259	Cylinder block assembly with speed ring	1
C20	00-13	12-36	727750	Piston assembly, welded	9
C30	00-13	12-36	11067352	Slipper retainer	1
C40	00-13	12-36	700963	Slipper guide bearing	2
C50	00-13	12-36	509015	Spacer	4
C70	00-13	12-36	308643-S	Screw	4
C80	00-13	12-36	518937	Valve plate, CW, lapped	1
QC04	00-13	12-36	519275	Cylinder block kit, with speed ring	1

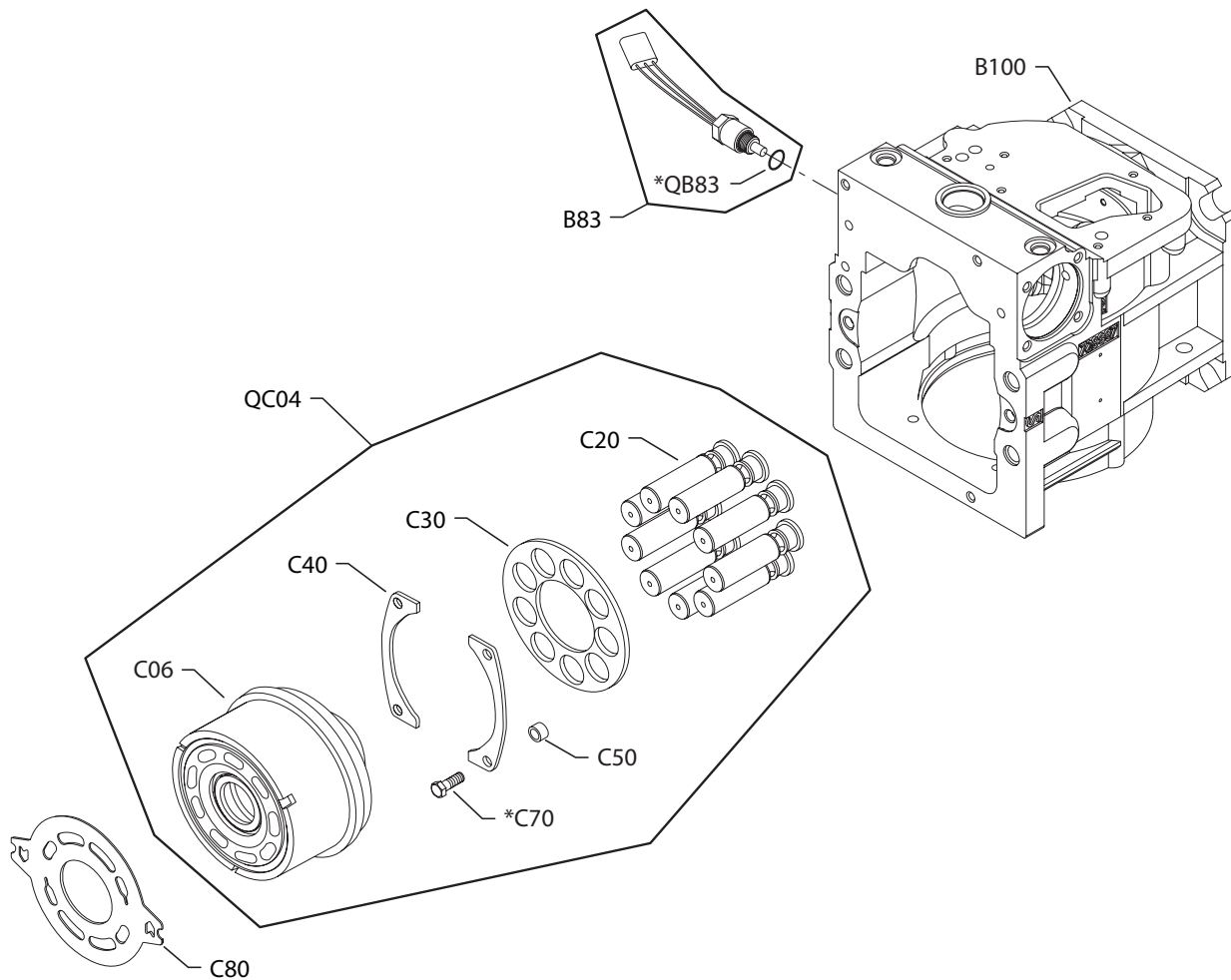
Order code: EEG

B83	00-13		140644	Plug assembly	1
B100	07-10		11026913	Housing assembly (<i>SB-2007-008A</i> on page 244)	1
B100	00-13	07-09	8510060	Housing assembly (<i>SB-1992-003A</i> on page 225)	1
C06	00-13		519259	Cylinder block assembly with speed ring	1
C20	00-13		727750	Piston assembly, welded	9
C30	00-13		11067352	Slipper retainer	1
C40	00-13		700963	Slipper guide bearing	2
C50	00-13		509015	Spacer	4
C70	00-13		308643-S	Screw	4
C80	00-13		518938	Valve plate, CCW, lapped	1
C80	00-13		518937	Valve plate, CW, lapped	1
QC04	00-13		519275	Cylinder block kit, with speed ring	1

Special hardware EFC-EGA

Parts configuration

(EFC, EFI, EFM & EGA)



A generic speed sensor is shown

Special hardware EFC-EGA*Order code: EFC*

Item	Date begin	Date end	Part number	Part name	Qty. per model/kit
B83	92-19		KPPG156	Speed sensor	1
B100	07-10		11026913	Housing assembly (<i>SB-2007-008A</i> on page 244)	1
B100	92-19	07-09	8510060	Housing assembly (<i>SB-1992-003A</i> on page 225)	1
C06	92-19		519259	Cylinder block assembly, with speed ring	1
C20	92-19		727750	Piston assembly, welded	9
C30	92-19		11067352	Slipper retainer	1
C40	92-19		700963	Slipper guide bearing	2
C50	92-19		509015	Spacer	4
C70	92-19		308643-S	Screw	4
C80	92-19		518807	Valve plate	1
QB83	99-50		9004201-3700	O-ring	1
QC04	92-19		519275	Cylinder block kit, with speed ring	1

Order code: EFI

B83	98-12		KPPG156	Speed sensor	1
B100	07-10		11026913	Housing assembly (<i>SB-2007-008A</i> on page 244)	1
B100	98-12	07-09	8510060	Housing assembly (<i>SB-1992-003A</i> on page 225)	1
C06	98-12		519259	Cylinder block assembly with speed ring	1
C20	98-12		727750	Piston assembly, welded	9
C30	98-12		11067352	Slipper retainer	1
C40	98-12		700963	Slipper guide bearing	2
C50	98-12		509015	Spacer	4
C70	98-12		308643-S	Screw	4
C80	98-12		518937	Valve plate, CW, lapped	1
C80	98-12		518938	Valve plate, CCW lapped	1
QC04	98-12		519275	Cylinder block kit, with speed ring	1

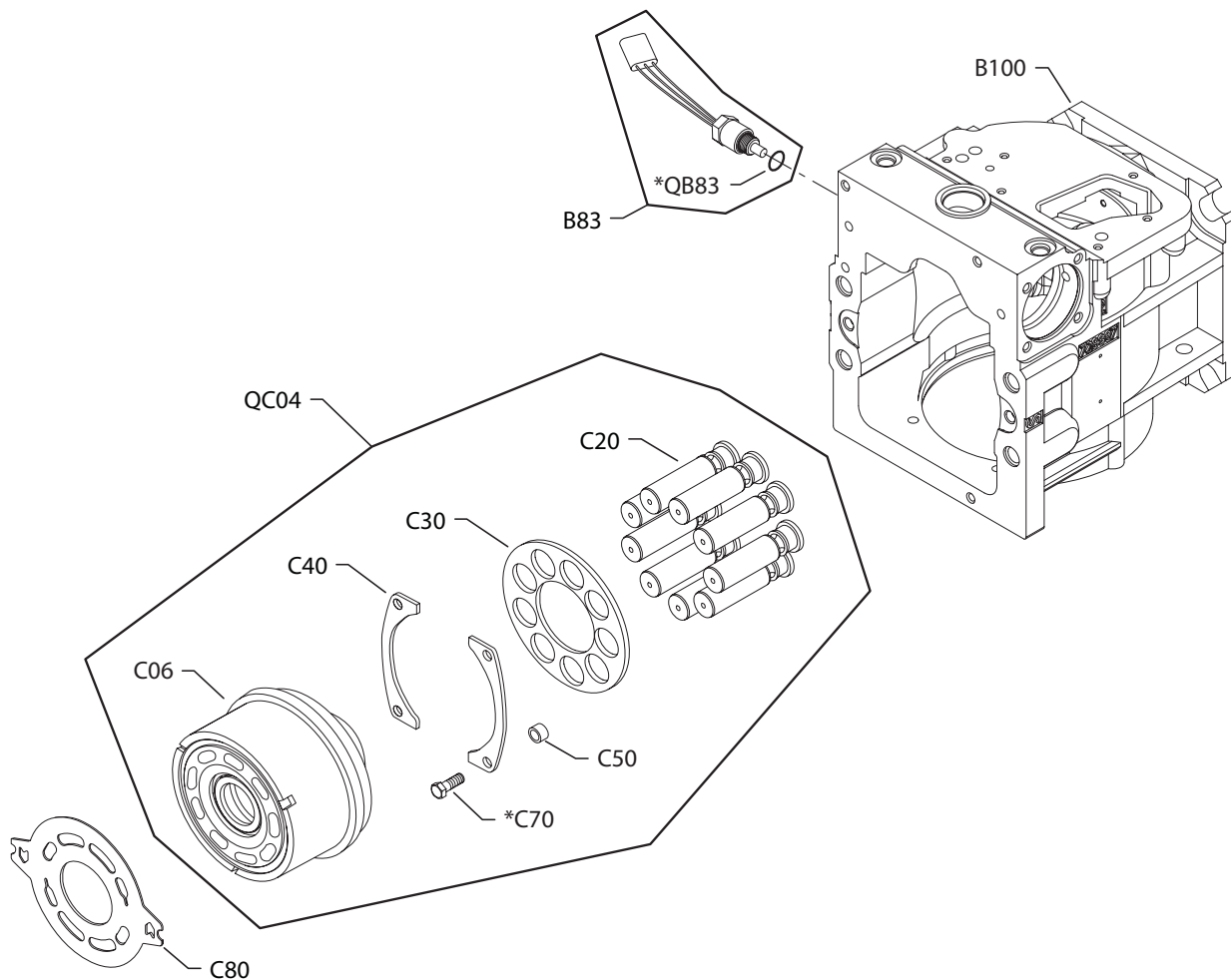
Order code: EFM

B83	98-31	12-36	KPPG156	Speed sensor	1
B100	07-10	12-36	11026913	Housing assembly (<i>SB-2007-008A</i> on page 244)	1
B100	98-31	07-09	8510060	Housing assembly (<i>SB-1992-003A</i> on page 225)	1
C06	98-31	12-36	519259	Cylinder block assembly with speed ring	1
C20	98-31	12-36	727750	Piston assembly, welded	9
C30	98-31	12-36	11067352	Slipper retainer	1
C40	98-31	12-36	700963	Slipper guide bearing	2
C50	98-31	12-36	509015	Spacer	4
C70	98-31	12-36	308643-S	Screw	4
C80	98-31	12-36	518808	Valve plate	1
QC04	98-31	12-36	519275	Cylinder block kit, with speed ring	1

Special hardware EFC-EGA

Parts configuration

(EFC, EFI, EFM & EGA)



A generic speed sensor is shown

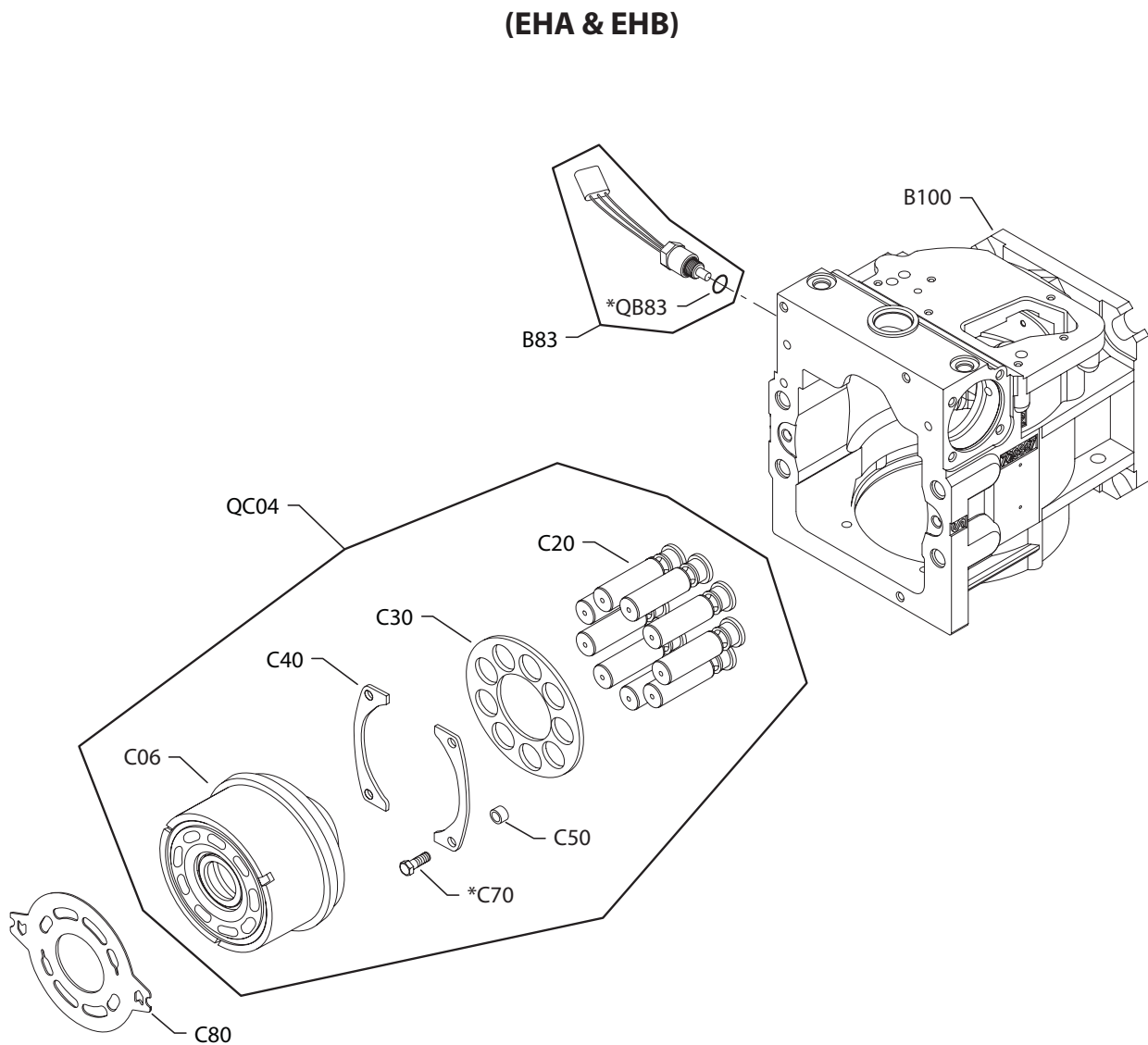
Special hardware EFC-EGA

Order code: EGA

Item	Date begin	Date end	Part number	Part name	Qty. per model/kit
B83	98-49		11046858	Speed sensor	1
B100	07-10		11026913	Housing assembly (<i>SB-2007-008A</i> on page 244)	1
B100	98-49	07-09	8510060	Housing assembly (<i>SB-1992-003A</i> on page 225)	1
C06	98-49		519259	Cylinder block assembly with speed ring	1
C20	98-49		727750	Piston assembly, welded	9
C30	98-49		11067352	Slipper retainer	1
C40	98-49		700963	Slipper guide bearing	2
C50	98-49		509015	Spacer	4
C70	98-49		308643-S	Screw	4
C80	98-49		518807	Valve plate	1
QC04	98-49		519275	Cylinder block kit, with speed ring	1

Special hardware EHA-EHB

Parts configuration



A generic speed sensor is shown.

Special hardware EHA-EHB

Order code: EHA

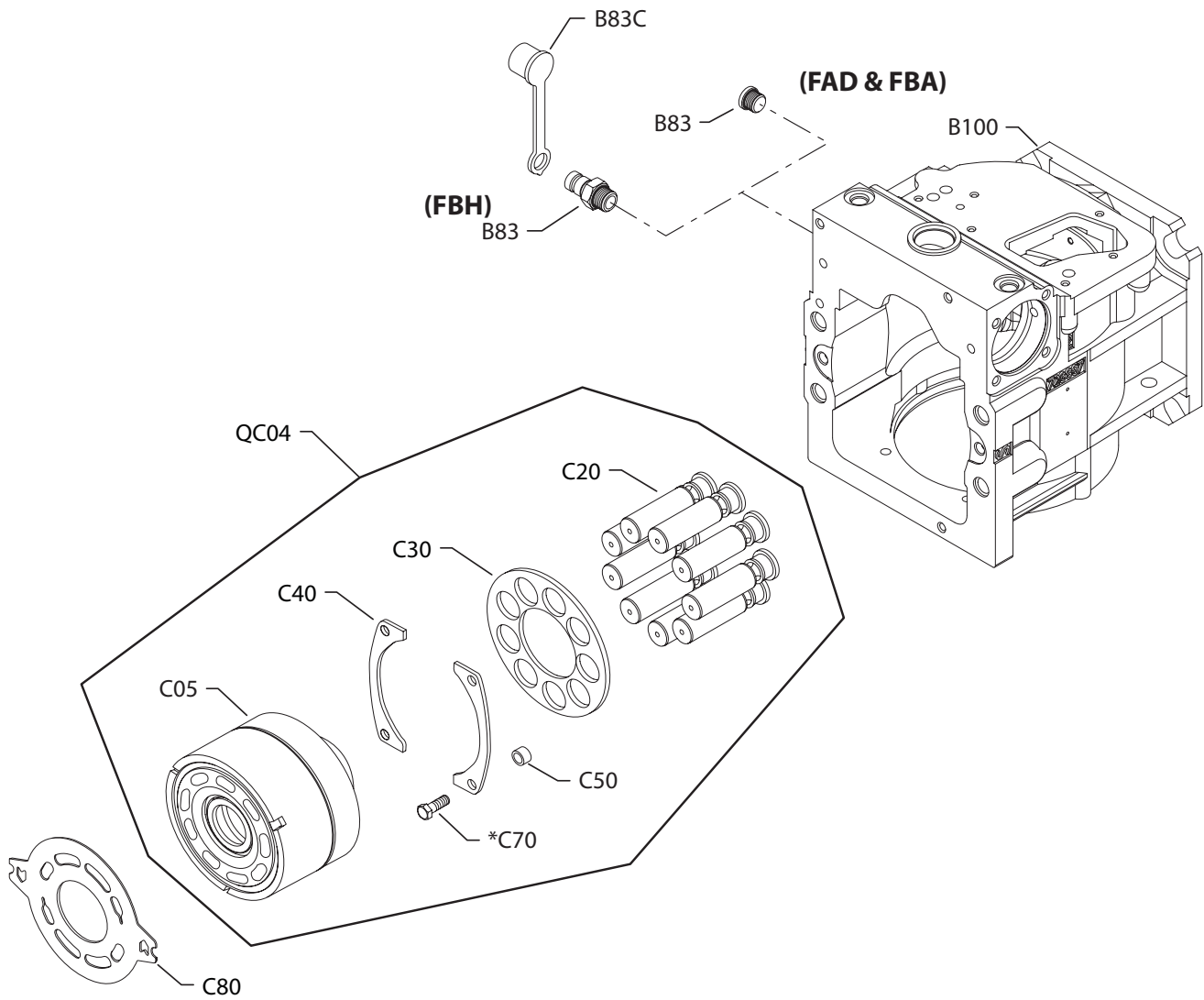
Item	Date begin	Date end	Part number	Part name	Qty. per model/kit
B83	00-44		KPPG16408	Speed sensor	1
B100	07-10		11026913	Housing assembly (<i>SB-2007-008A</i> on page 244)	1
B100	00-44	07-09	8510060	Housing assembly (<i>SB-1992-003A</i> on page 225)	1
C06	00-44		519259	Cylinder block assembly with speed ring	1
C20	00-44		727750	Piston assembly, welded	9
C30	00-44		11067352	Slipper retainer	1
C40	00-44		700963	Slipper guide bearing	2
C50	00-44		509015	Spacer	4
C70	00-44		308643-S	Screw	4
C80	00-44		518807	Valve plate	1
QC04	00-44		519275	Cylinder block kit, with speed ring	1

Order code: EHB

B83	02-47	12-36	KPPG16408	Speed sensor	1
B100	07-10	12-36	11026913	Housing assembly (<i>SB-2007-008A</i> on page 244)	1
B100	02-47	07-09	8510060	Housing assembly (<i>SB-1992-003A</i> on page 225)	1
C06	02-47	12-36	519259	Cylinder block assembly with speed ring	1
C20	02-47	12-36	727750	Piston assembly, welded	9
C30	02-47	12-36	11067352	Slipper retainer	1
C40	02-47	12-36	700963	Slipper guide bearing	2
C50	02-47	12-36	509015	Spacer	4
C70	02-47	12-36	308643-S	Screw	4
C80	02-47	12-36	518808	Valve plate	1
QC04	02-47	12-36	519275	Cylinder block kit, with speed ring	1

Special hardware FAD-FBH

Parts configuration



Special hardware FAD-FBH*Order code: FAD*

Item	Date begin	Date end	Part number	Part name	Qty. per model/kit
B83	92-19		140644	Plug assembly	1
B100	07-10		11026913	Housing assembly (<i>SB-2007-008A</i> on page 244)	1
B100	92-19	07-09	8510060	Housing assembly (<i>SB-1992-003A</i> on page 225)	1
C05	13-49		11033869	Cylinder block assembly	1
C05	92-19	13-49	519258	Cylinder block assembly	1
C20	92-19		727750	Piston assembly, welded	9
C30	92-19		11067352	Slipper retainer	1
C40	92-19		700963	Slipper guide bearing	2
C50	92-19		509015	Spacer	4
C70	92-19		308643-S	Screw	4
C80	92-19		518807	Valve plate	1
QC04	92-19		519274	Cylinder block kit	1

Order code: FBA

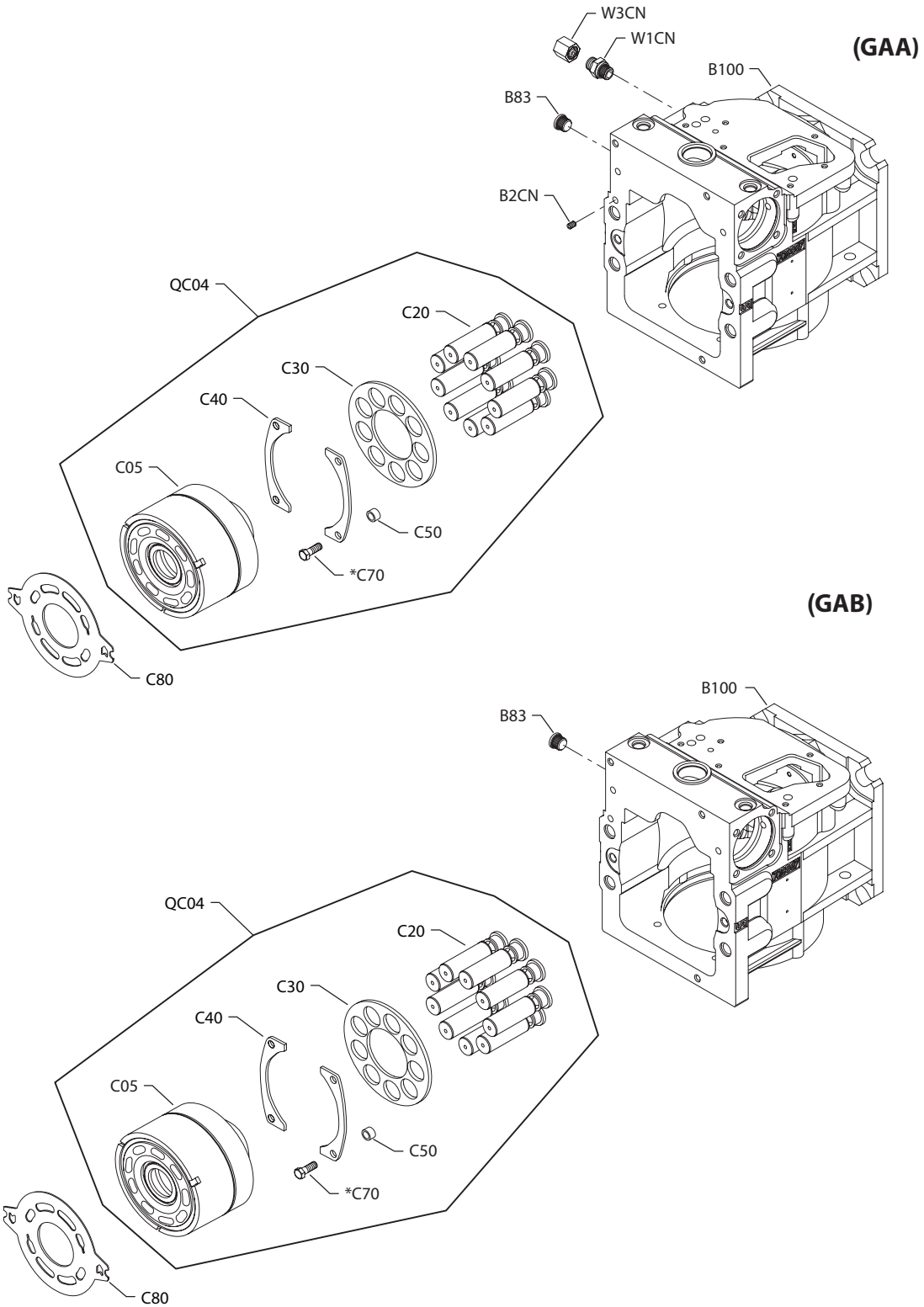
B83	08-44		140644	Plug assembly	1
B100	08-44		11026913	Housing assembly	1
C05	13-49		11033869	Cylinder block assembly	1
C05	08-44	13-49	519258	Cylinder block assembly	1
C20	08-44		727750	Piston assembly, welded	9
C30	08-44		11067352	Slipper retainer	1
C40	08-44		700963	Slipper guide bearing	2
C50	08-44		509015	Spacer	4
C70	08-44		308643-S	Screw	4
C80	08-44		518808	Valve plate	1
QC04	08-44		519274	Cylinder block kit	1

Order code: FBH

B83	10-06		8700127	Diagnostic receptacle assembly	1
B83C	10-06		8700128	Dust cover	1
B100	10-06		11026913	Housing assembly	1
C05	13-49		11033869	Cylinder block assembly	1
C05	10-06	13-49	519258	Cylinder block assembly	1
C20	10-06		727750	Piston assembly, welded	9
C30	10-06		11067352	Slipper retainer	1
C40	10-06		700963	Slipper guide bearing	2
C50	10-06		509015	Spacer	4
C70	10-06		308643-S	Screw	4
C80	10-06		518808	Valve plate	1
QC04	10-06		519274	Cylinder block kit	1

Special hardware GAA-GAB

Parts configuration



* = included in overhaul seal kit Q210

Special hardware GAA-GAB

Order code: GAA

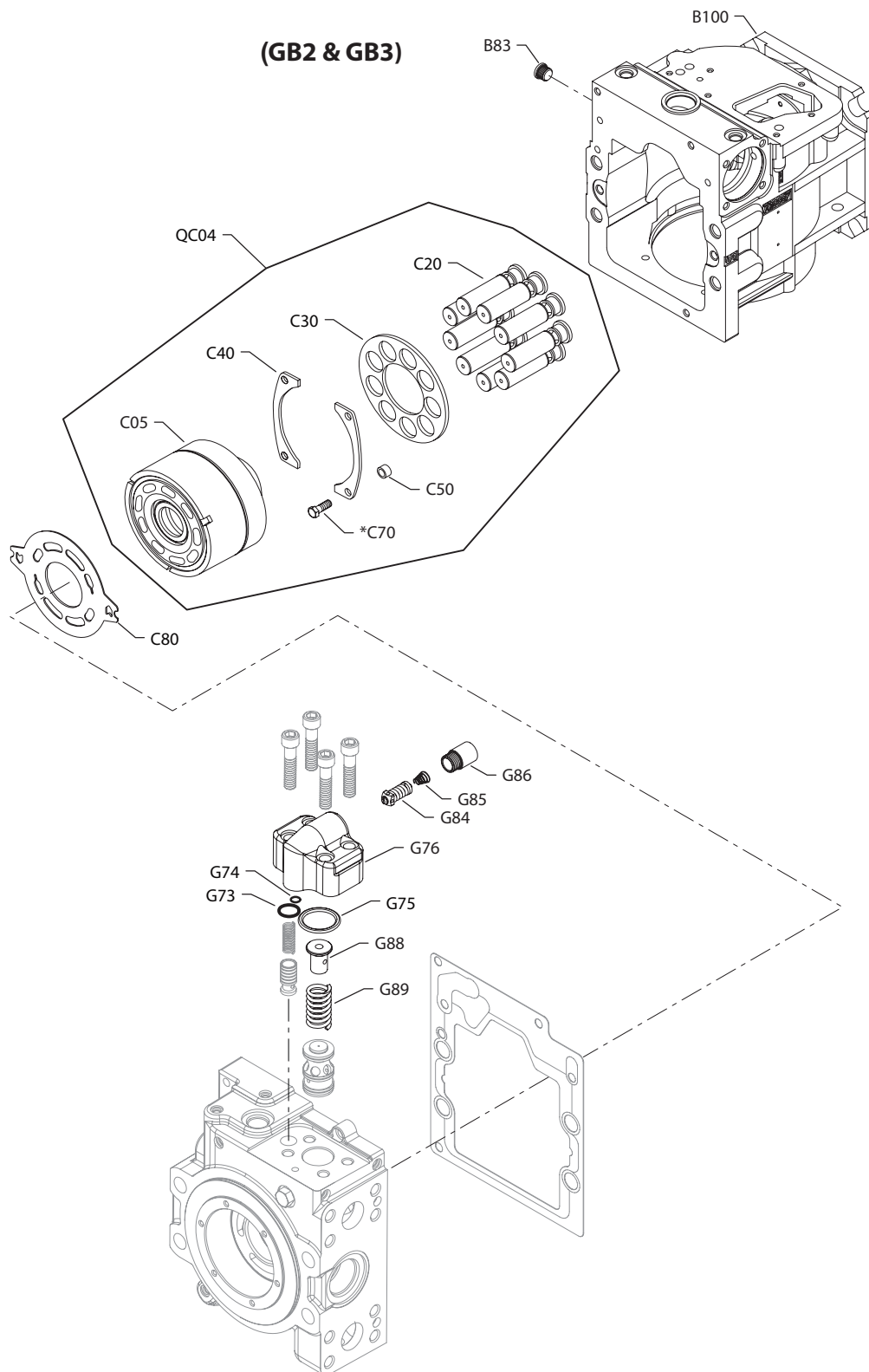
Item	Date begin	Date end	Part number	Part name	Qty. per model/kit
B83	92-19		140644	Plug assembly	1
B100	07-10		11026913	Housing assembly (<i>SB-2007-008A</i> on page 244)	1
B100	92-19	07-09	8510060	Housing assembly (<i>SB-1992-003A</i> on page 225)	1
C05	92-19		11033869	Cylinder block assembly	1
C20	92-19		727750	Piston assembly, welded	9
C30	92-19		11067352	Slipper retainer	1
C40	92-19		700963	Slipper guide bearing	2
C50	92-19		509015	Spacer	4
C70	92-19		308643-S	Screw	4
C80	92-19		518934	Valve plate	1
QC04	92-19		519274	Cylinder block kit	1

Order code: GAB

B2CN	92-19	08-03	775312	Set screw	1
B83	92-19	08-03	140644	Plug assembly	1
B100	07-10	08-03	11026913	Housing assembly (<i>SB-2007-008A</i> on page 244)	1
B100	92-19	07-09	8510060	Housing assembly (<i>SB-1992-003A</i> on page 225)	1
C05	92-19		11033869	Cylinder block assembly	1
C20	92-19	08-03	727750	Piston assembly, welded	9
C30	92-19	08-03	11067352	Slipper retainer	1
C40	92-19	08-03	700963	Slipper guide bearing	2
C50	92-19	08-03	509015	Spacer	4
C70	92-19	08-03	308643-S	Screw	4
C80	92-19	08-03	518934	Valve plate	1
QC04	92-19	08-03	519274	Cylinder block kit	1
W1CN	92-19	08-03	723726	Connector	1
W3CN	92-19	08-03	574095	Cap	1

Special hardware GB2-GB3

Parts configuration



* = included in overhaul seal kit Q210

Special hardware GB2-GB3

Order code: GB2

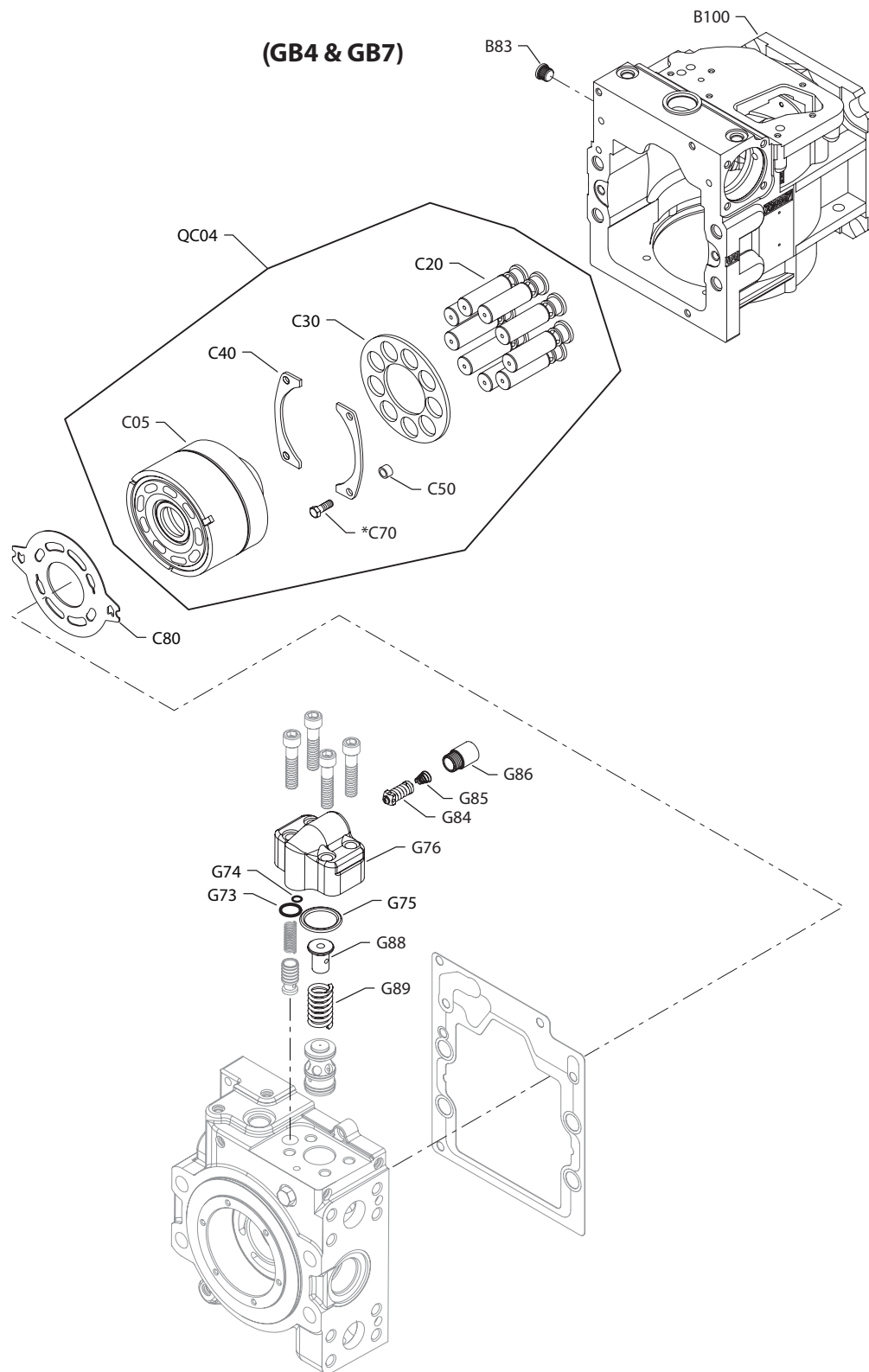
Item	Date Begin	Date end	Part number	Part name	Qty. per model/kit
B83	02-30		140644	Plug assembly	1
B100	07-10		11026913	Housing assembly (<i>SB-2007-008A</i> on page 244)	1
B100	02-30	07-09	8510060	Housing assembly (<i>SB-1992-003A</i> on page 225)	1
C05	02-30		11033869	Cylinder block assembly	1
C20	02-30		727750	Piston assembly, welded	9
C30	02-30		11067352	Slipper retainer	1
C40	02-30		700963	Slipper guide bearing	2
C50	02-30		509015	Spacer	4
C70	02-30		308643-S	Screw	4
C80	02-30		518807	Valve plate	1
G73	02-30		519873	Seal	1
G74	02-30		144725 (9004105-0110)	O-ring	1
G75	02-30		518329	O-ring	1
G76	02-30		517828	Valve housing	1
G84	02-30		3103375-0250	SCR valve, 250 bar [3625 psi]	1
G85	02-30		4800780	Conical spring	1
G86	02-30		11126727	Plug assembly	1
G88	02-30		517829	Spring guide	1
G89	02-30		517831	Spring	1
QC04	02-30		519274	Cylinder block kit	1

Order code: GB3

B83	02-30		140644	Plug assembly	1
B100	07-10		11026913	Housing assembly (<i>SB-2007-008A</i> on page 244)	1
B100	02-30	07-09	8510060	Housing assembly (<i>SB-1992-003A</i> on page 225)	1
C05	02-30		11033869	Cylinder block assembly	1
C20	02-30		727750	Piston assembly, welded	9
C30	02-30		11067352	Slipper retainer	1
C40	02-30		700963	Slipper guide bearing	2
C50	02-30		509015	Spacer	4
C70	02-30		308643-S	Screw	4
C80	02-30		518807	Valve plate	1
G73	02-30		519873	Seal	1
G74	02-30		144725 (9004105-0110)	O-ring	1
G75	02-30		518329	O-ring	1
G76	02-30		517828	Valve housing	1
G84	02-30		3103375-0175	SCR valve, 175 bar [2538 psi]	1
G85	02-30		4800780	Conical spring	1
G86	02-30		11126727	Plug assembly	1
G88	02-30		517829	Spring guide	1
G89	02-30		517831	Spring	1
QC04	02-30		519274	Cylinder block kit	1

Special hardware GB4-GB7

Parts configuration



* = included in overhaul seal kit Q210

Special hardware GB4-GB7

Order code: GB4

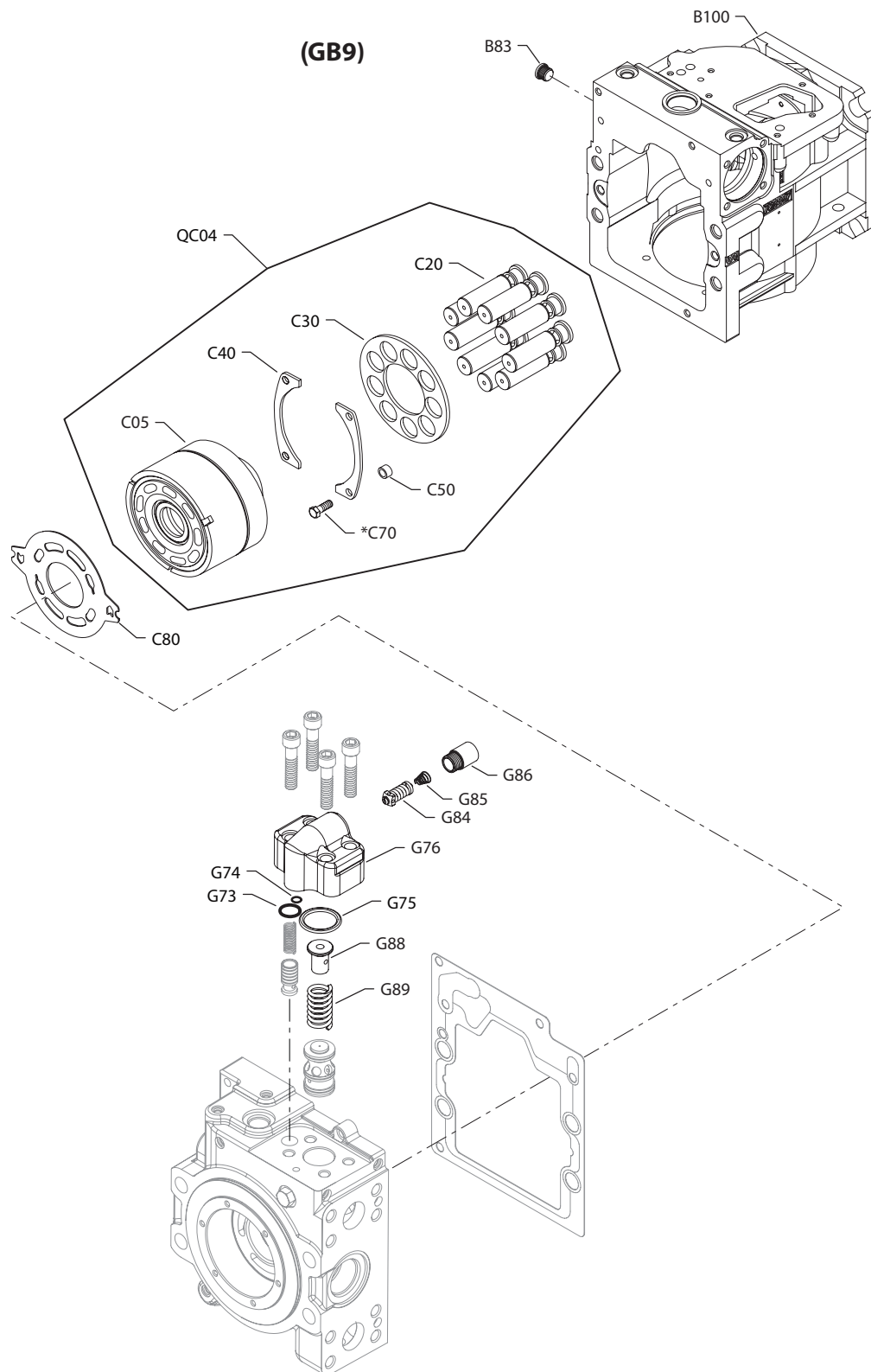
Item	Date Begin	Date end	Part number	Part name	Qty. per model/kit
B83	92-19		140644	Plug assembly	1
B100	07-10		11026913	Housing assembly (<i>SB-2007-008A</i> on page 244)	1
B100	92-19	07-09	8510060	Housing assembly (<i>SB-1992-003A</i> on page 225)	1
C05	92-19		11033869	Cylinder block assembly	1
C20	92-19		727750	Piston assembly, welded	9
C30	92-19		11067352	Slipper retainer	1
C40	92-19		700963	Slipper guide bearing	2
C50	92-19		509015	Spacer	4
C70	92-19		308643-S	Screw	4
C80	92-19		518807	Valve plate	1
G73	92-19		519873	Seal	1
G74	92-19		144725 (9004105-0110)	O-ring	1
G75	92-19		518329	O-ring	1
G76	92-19		517828	Valve housing	1
G84	92-19		3103375-0140	SCR valve, 140 bar [2030 psi]	1
G85	92-19		4800780	Conical spring	1
G86	92-19		11126727	Plug assembly	1
G88	92-19		517831	Spring	1
QC04	92-19		519274	Cylinder block kit	1

Order code: GB7

B83	05-34		140644	Plug assembly	1
B100	07-10		11026913	Housing assembly (<i>SB-2007-008A</i> on page 244)	1
B100	05-34	07-09	8510060	Housing assembly (<i>SB-1992-003A</i> on page 225)	1
C05	05-34		11033869	Cylinder block assembly	1
C20	05-34		727750	Piston assembly, welded	9
C30	05-34		11067352	Slipper retainer	1
C40	05-34		700963	Slipper guide bearing	2
C50	05-34		509015	Spacer	4
C70	05-34		308643-S	Screw	4
C80	05-34		518937	Valve plate, CW lapped	1
C80	05-34		518938	Valve plate, CCW lapped	1
G73	05-34		519873	Seal	1
G74	05-34		144725 (9004105-0110)	O-ring	1
G75	05-34		518329	O-ring	1
G76	05-34		517828	Valve housing	1
G84	05-34		3103375-0175	SCR valve, 175 bar [2030 psi]	1
G85	05-34		4800780	Conical spring	1
G86	05-34		11126727	Plug assembly	1
G88	05-34		517829	Spring guide	1
G89	05-34		517831	Spring	1
QC04	05-34		519274	Cylinder block kit	1

Special hardware GB9

Parts configuration



* = included in overhaul seal kit Q210

Special hardware GB9

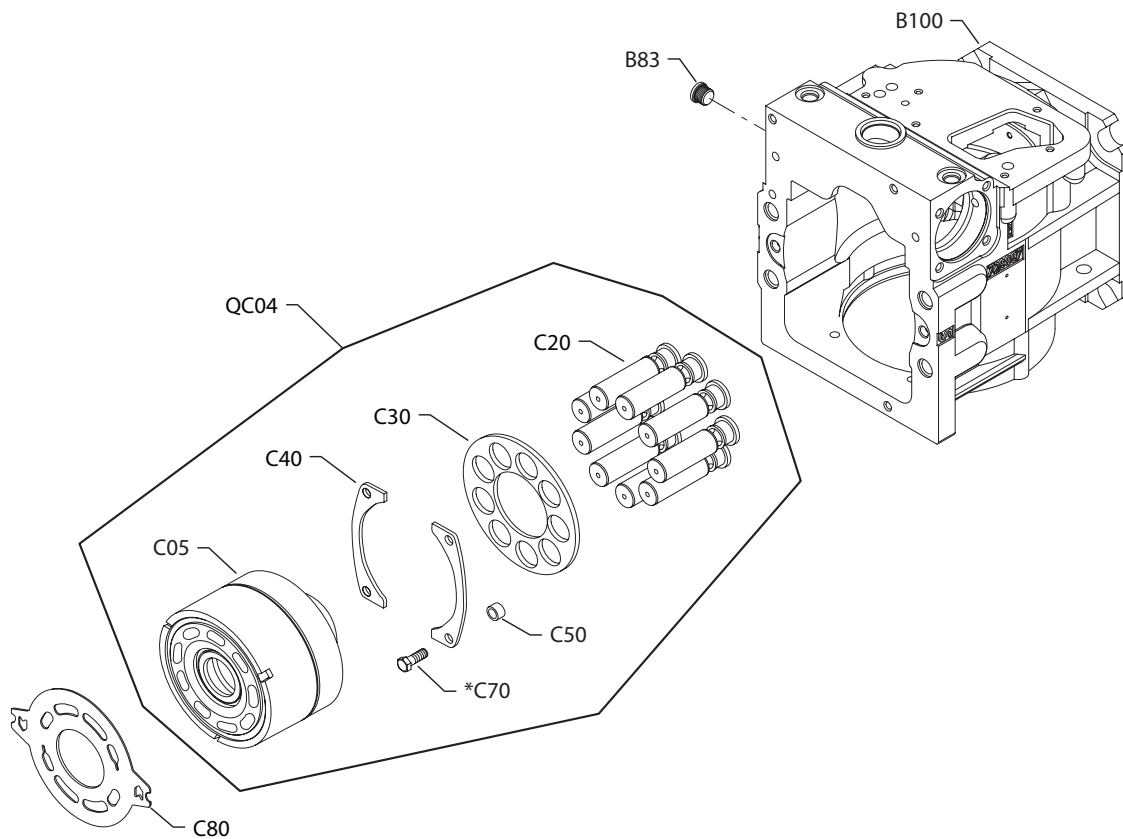
Order code: GB4

Item	Date Begin	Date end	Part number	Part name	Qty. per model/kit
B83	06-34		140644	Plug assembly	1
B100	07-10		11026913	Housing assembly (SB-2007-008A on page 244)	1
B100	06-34	07-09	8510060	Housing assembly (SB-1992-003A on page 225)	1
C05	06-34		11033869	Cylinder block assembly	1
C20	06-34		727750	Piston assembly, welded	9
C30	06-34		11067352	Slipper retainer	1
C40	06-34		700963	Slipper guide bearing	2
C50	06-34		509015	Spacer	4
C70	06-34		308643-S	Screw	4
C80	06-34		518807	Valve plate	1
G73	06-34		519873	Seal	1
G74	06-34		144725 (9004105-0110)	O-ring	1
G75	06-34		518329	O-ring	1
G76	06-34		517828	Valve housing	1
G84	06-34		3103375-0140	SCR valve, 140 bar [2030 psi]	1
G85	06-34		4800780	Conical spring	1
G86	06-34		11126727	Plug assembly	1
G88	06-34		517829	Spring guide	1
G89	06-34		517831	Spring	1
QC04	06-34		519274	Cylinder block kit	1

Special hardware GBA-GBK

Parts configuration

(GBA, GBE & GBK)



* = included in overhaul seal kit Q210

Special hardware GBA-GBK

Order code: GBA

Item	Date Begin	Date end	Part number	Part name	Qty. per model/kit
B83	89-41		140644	Plug assembly	1
B100	07-10		11026913	Housing assembly (<i>SB-2007-008A</i> on page 244)	1
B100	89-41	07-09	8510060	Housing assembly (<i>SB-1992-003A</i> on page 225)	1
C05	89-41		11033869	Cylinder block assembly, without speed ring	1
C20	89-41		727750	Piston assembly, welded	9
C30	89-41		11067352	Slipper retainer	1
C40	89-41		700963	Slipper guide bearing	2
C50	89-41		509015	Spacer	4
C70	89-41		308643-S	Screw	4
C80	89-41		518807	Valve plate	1
QC04	89-41		519274	Cylinder block kit, without speed ring, welded piston	1

Order code: GBE

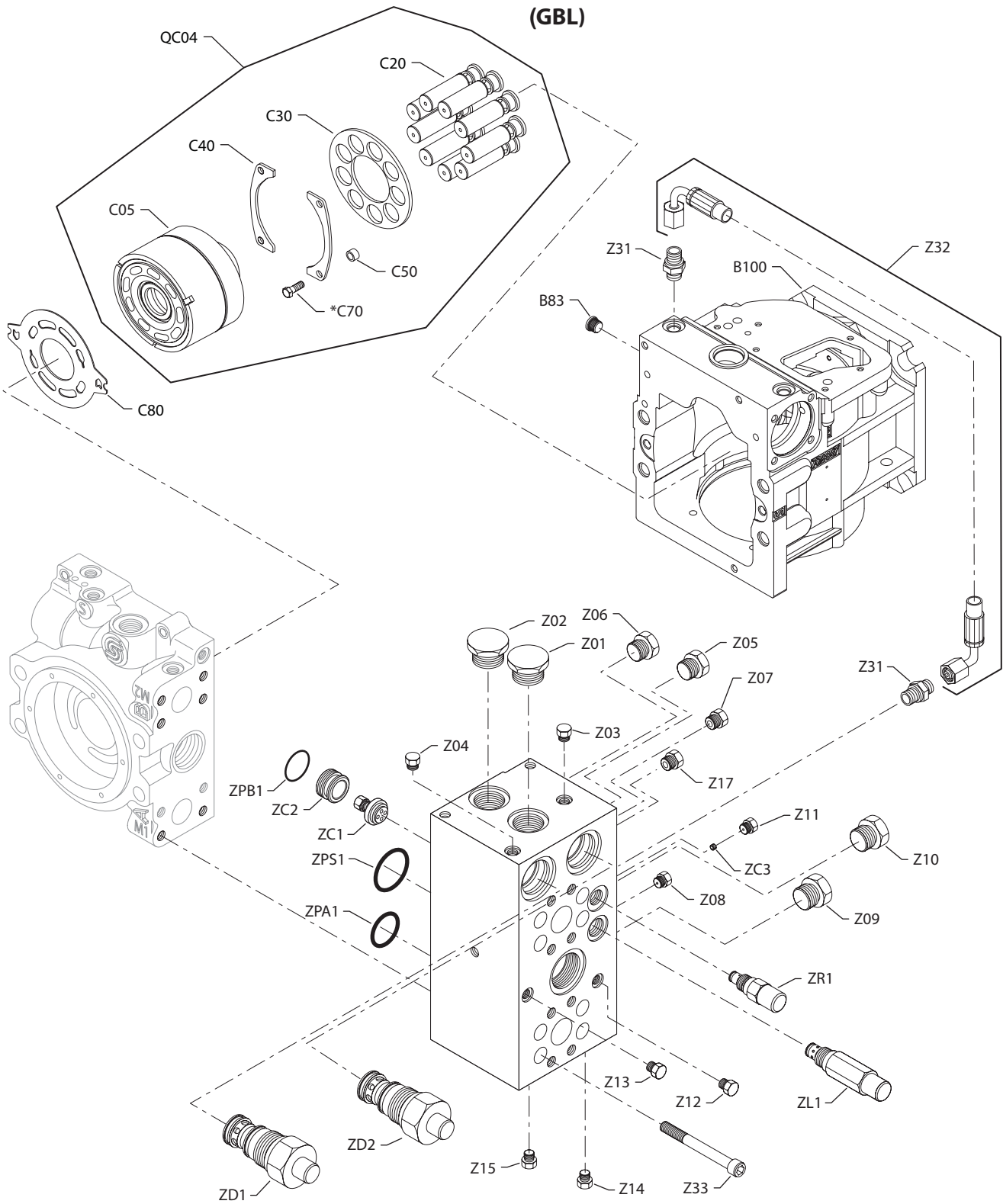
B83	89-41		140644	Plug assembly	1
B100	07-10		11026913	Housing assembly (<i>SB-2007-008A</i> on page 244)	1
B100	89-41	07-09	8510060	Housing assembly (<i>SB-1992-003A</i> on page 225)	1
C05	89-41		11033869	Cylinder block assembly, without speed ring	1
C20	89-41		727750	Piston assembly, welded	9
C30	89-41		11067352	Slipper retainer	1
C40	89-41		700963	Slipper guide bearing	2
C50	89-41		509015	Spacer	4
C70	89-41		308643-S	Screw	4
C80	89-41		518807	Valve plate	1
QC04	89-41		519274	Cylinder block kit, without speed ring, welded piston	1

Order code: GBK

B83	08-04		140644	Plug assembly	1
B100	08-04		11026913	Housing assembly (<i>SB-2007-008A</i> on page 244)	1
C05	89-41		11033869	Cylinder block assembly, without speed ring	1
C20	89-41		727750	Piston assembly, welded	9
C30	89-41		11067352	Slipper retainer	1
C40	89-41		700963	Slipper guide bearing	2
C50	89-41		509015	Spacer	4
C70	89-41		308643-S	Screw	4
C80	89-41		518807	Valve plate	1
QC04	89-41		519274	Cylinder block kit, without speed ring, welded piston	1

Special hardware GBL

Parts configuration



* = included in overhaul seal kit Q210

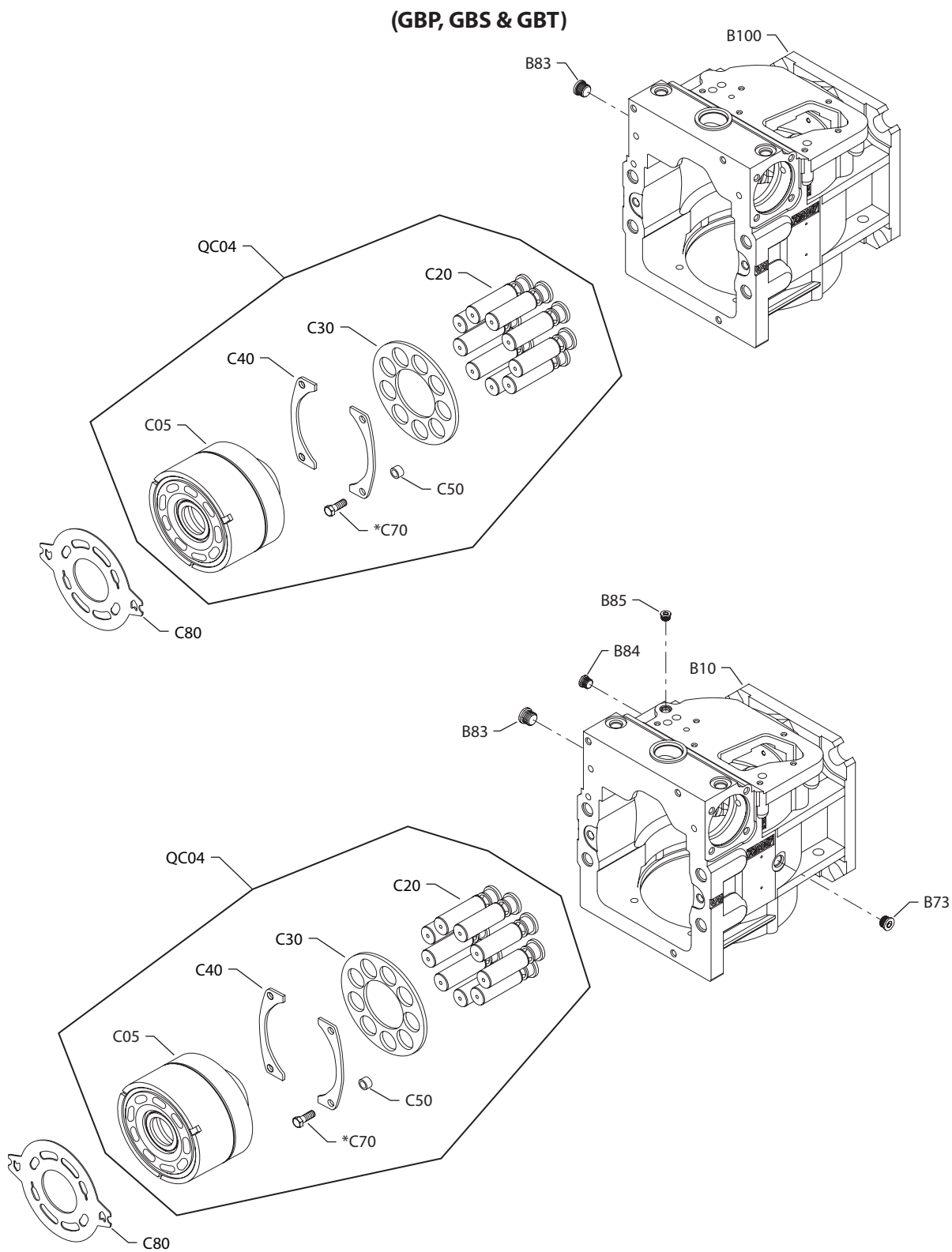
Special hardware GBL

Order code: GBL

Item	Date Begin	Date end	Part number	Part name	Qty. per model/kit
B83	00-25	10-49	140644	Plug assembly	1
B100	07-10	10-49	11026913	Housing assembly (<i>SB-2007-008A</i> on page 244)	1
B100	00-25	07-09	8510060	Housing assembly (<i>SB-1992-003A</i> on page 225)	1
C05	00-25	10-49	11033869	Cylinder block assembly, without speed ring	1
C20	00-25	10-49	727750	Piston assembly, welded	9
C30	00-25	10-49	11067352	Slipper retainer	1
C40	00-25	10-49	700963	Slipper guide bearing	2
C50	00-25	10-49	509015	Spacer	4
C70	00-25	10-49	308643-S	Screw	4
C80	00-25	10-49	518807	Valve plate	1
QC04	00-25	10-49	519274	Cylinder block kit	1
Z01	00-25	10-49	516748	Plug assembly	1
Z02	00-25	10-49	516748	Plug assembly	1
Z03	00-25	10-49	516742	Plug assembly	1
Z04	00-25	10-49	516742	Plug assembly	1
Z05	00-25	10-49	516744	Plug assembly	1
06	00-25	10-49	516744	Plug assembly	1
Z07	00-25	10-49	516745	Plug assembly	1
Z08	00-25	10-49	516742	Plug assembly	1
Z09	00-25	10-49	516748	Plug assembly	1
Z10	00-25	10-49	516748	Plug assembly	1
Z11	00-25	10-49	516742	Plug assembly	1
Z12	00-25	10-49	516750	Plug assembly	1
Z13	00-25	10-49	516750	Plug assembly	1
Z14	00-25	10-49	516750	Plug assembly	1
Z15	00-25	10-49	516750	Plug assembly	1
Z17	00-25	10-49	516745	Plug assembly	1
Z31	00-25	10-49	516137	Connector	2
Z32	00-25	10-49	516134	Hydraulic hose	1
Z33	00-25	10-49	019471	Screw	8
ZC1	00-25	10-49	516720	Check valve	1
ZC2	00-25	10-49	516721	Retainer	1
ZC3	00-25	10-49	516747	Headless screw	1
ZD1	00-25	10-49	516754	Pressure regulator	1
ZD2	00-25	10-49	516754	Pressure regulator	1
ZL1	00-25	10-49	516729	Relief valve	1
ZR1	00-25	10-49	516733	Relief valve	1

Special hardware GBP-GBT

Parts configuration



* = included in overhaul seal kit Q210

Special hardware GBP-GBT

Order code: GBP

Item	Date Begin	Date end	Part number	Part name	Qty. per model/kit
B83	06-17		140644	Plug assembly	1
B100	07-10		11026913	Housing assembly (<i>SB-2007-008A</i> on page 244)	1
B100	06-17	07-09	8510060	Housing assembly (<i>SB-1992-003A</i> on page 225)	1
C05	06-17		11033869	Cylinder block assembly	1
C20	06-17		727750	Piston assembly, welded	9
C30	06-17		11067352	Slipper retainer	1
C40	06-17		700963	Slipper guide bearing	2
C50	06-17		509015	Spacer	4
C70	06-17		308643-S	Screw	4
C80	06-17		518807	Valve plate	1
QC04	06-17		519274	Cylinder block kit	1

Order code: GBS

B83	92-19		140644	Plug assembly	1
B100	07-10		11026913	Housing assembly (<i>SB-2007-008A</i> on page 244)	1
B100	92-19	07-09	8510060	Housing assembly (<i>SB-1992-003A</i> on page 225)	1
C05	92-19		11033869	Cylinder block assembly	1
C20	92-19		727750	Piston assembly, welded	9
C30	92-19		11067352	Slipper retainer	1
C40	92-19		700963	Slipper guide bearing	2
C50	92-19		509015	Spacer	4
C70	92-19		308643-S	Screw	4
C80	92-19		518807	Valve plate	1
QC04	92-19		519274	Cylinder block kit	1

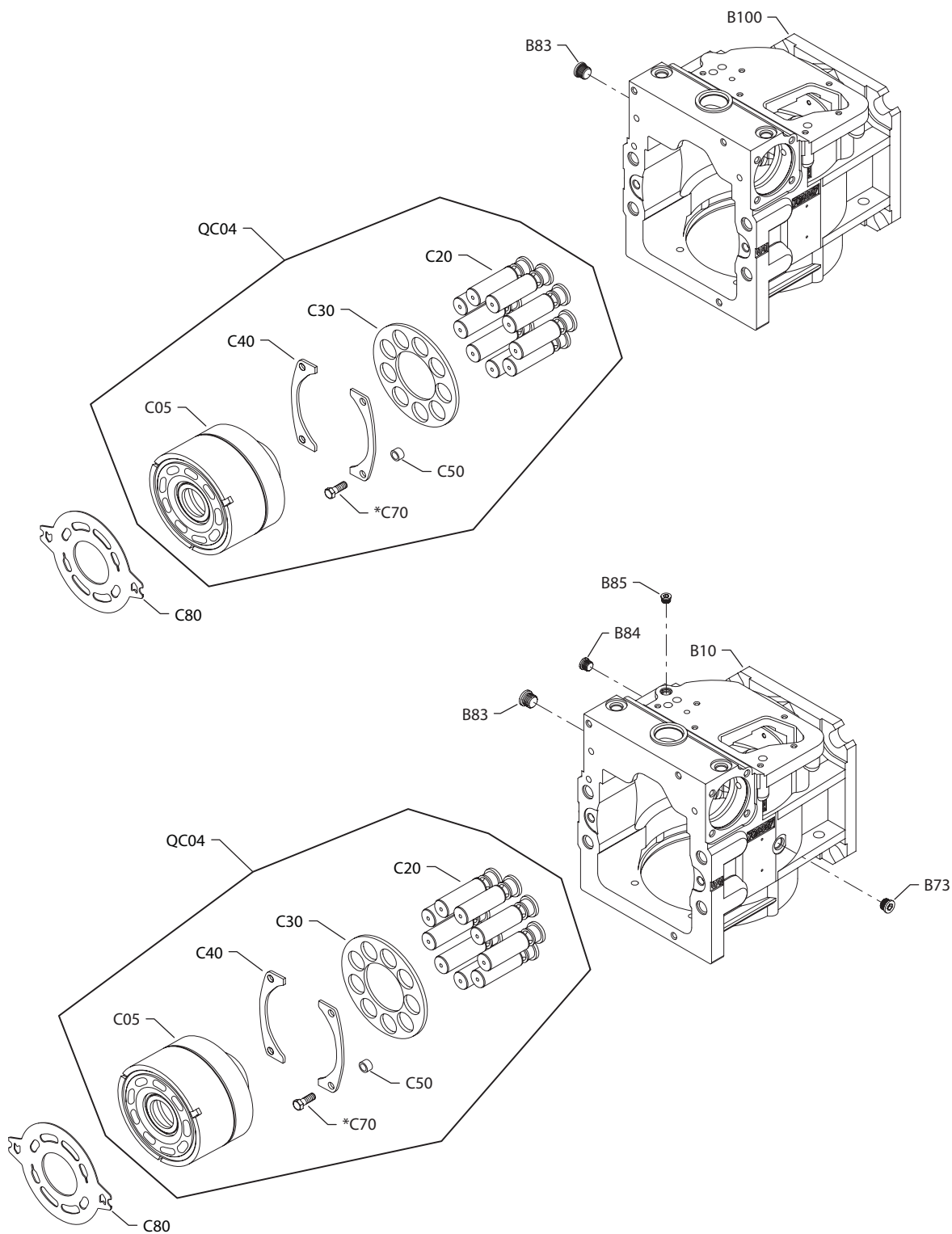
Order code: GBT

B10	07-10		11006984	Housing	1
B73	92-19		140644	Plug assembly	1
B83	92-19		140644	Plug assembly	1
B84	92-19		509603	Plug assembly, M10 x 1	1
B85	92-19		509603	Plug assembly, M10 x 1	1
C05	92-19		11033869	Cylinder block assembly	1
C20	92-19		727750	Piston assembly, welded	9
C30	92-19		11067352	Slipper retainer	1
C40	92-19		700963	Slipper guide bearing	2
C50	92-19		509015	Spacer	4
C70	92-19		308643-S	Screw	4
C80	92-19		518807	Valve plate	1
QC04	92-19		519274	Cylinder block kit	1

Special hardware GBV-GBY

Parts configuration

(GBV, GBW & GBY)



* = included in overhaul seal kit Q210

Special hardware GBV-GBY

Order code: GBV

Item	Date Begin	Date end	Part number	Part name	Qty. per model/kit
B83	00-05		140644	Plug assembly	1
B100	07-10		11026913	Housing assembly (<i>SB-2007-008A</i> on page 244)	1
B100	00-05	07-09	8510060	Housing assembly (<i>SB-1992-003A</i> on page 225)	1
C05	00-05		11033869	Cylinder block assembly	1
C20	00-05		727750	Piston assembly, welded	9
C30	00-05		11067352	Slipper retainer	1
C40	00-05		700963	Slipper guide bearing	2
C50	00-05		509015	Spacer	4
C70	00-05		308643-S	Screw	4
C80	00-05		518807	Valve plate	1
QC04	00-05		519274	Cylinder block kit	1

Order code: GBW

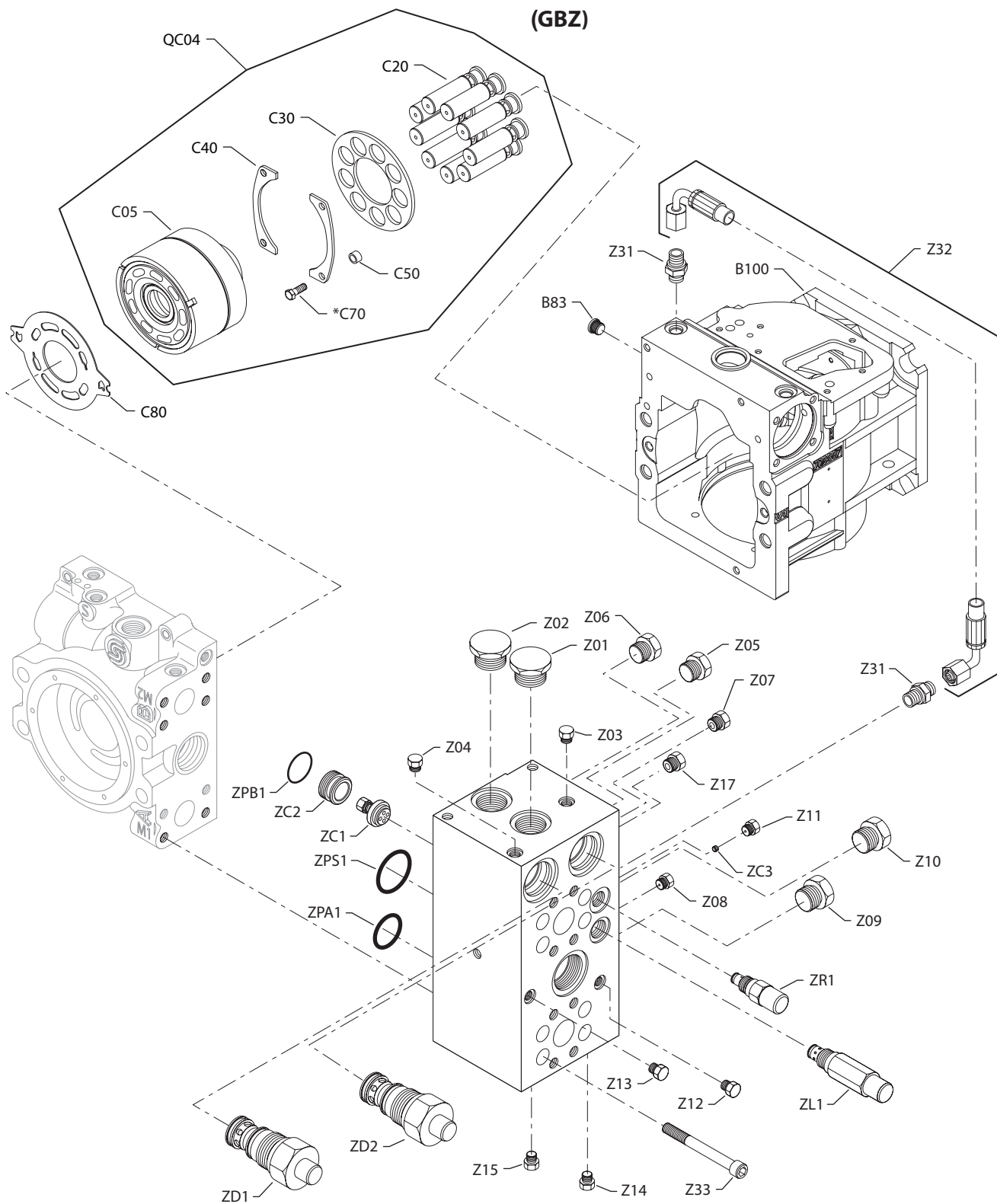
B83	99-50		140644	Plug assembly	1
B100	07-10		11026913	Housing assembly (<i>SB-2007-008A</i> on page 244)	1
B100	99-50	07-09	8510060	Housing assembly (<i>SB-1992-003A</i> on page 225)	1
C05	99-50		11033869	Cylinder block assembly	1
C20	99-50		727750	Piston assembly, welded	9
C30	99-50		11067352	Slipper retainer	1
C40	99-50		700963	Slipper guide bearing	2
C50	99-50		509015	Spacer	4
C70	99-50		308643-S	Screw	4
C80	99-50		518807	Valve plate	1
QC04	99-50		519274	Cylinder block kit	1

Order code: GBY

B83	99-52		140644	Plug assembly	1
B100	07-10		11026913	Housing assembly (<i>SB-2007-008A</i> on page 244)	1
B100	99-52	07-09	8510060	Housing assembly (<i>SB-1992-003A</i> on page 225)	1
C05	99-52		11033869	Cylinder block assembly	1
C20	99-52		727750	Piston assembly, welded	9
C30	99-52		11067352	Slipper retainer	1
C40	99-52		700963	Slipper guide bearing	2
C50	99-52		509015	Spacer	4
C70	99-52		308643-S	Screw	4
C80	99-52		518934	Valve plate	1
QC04	99-52		519274	Cylinder block kit	1

Special hardware GBZ

Parts configuration



* = included in overhaul seal kit Q210

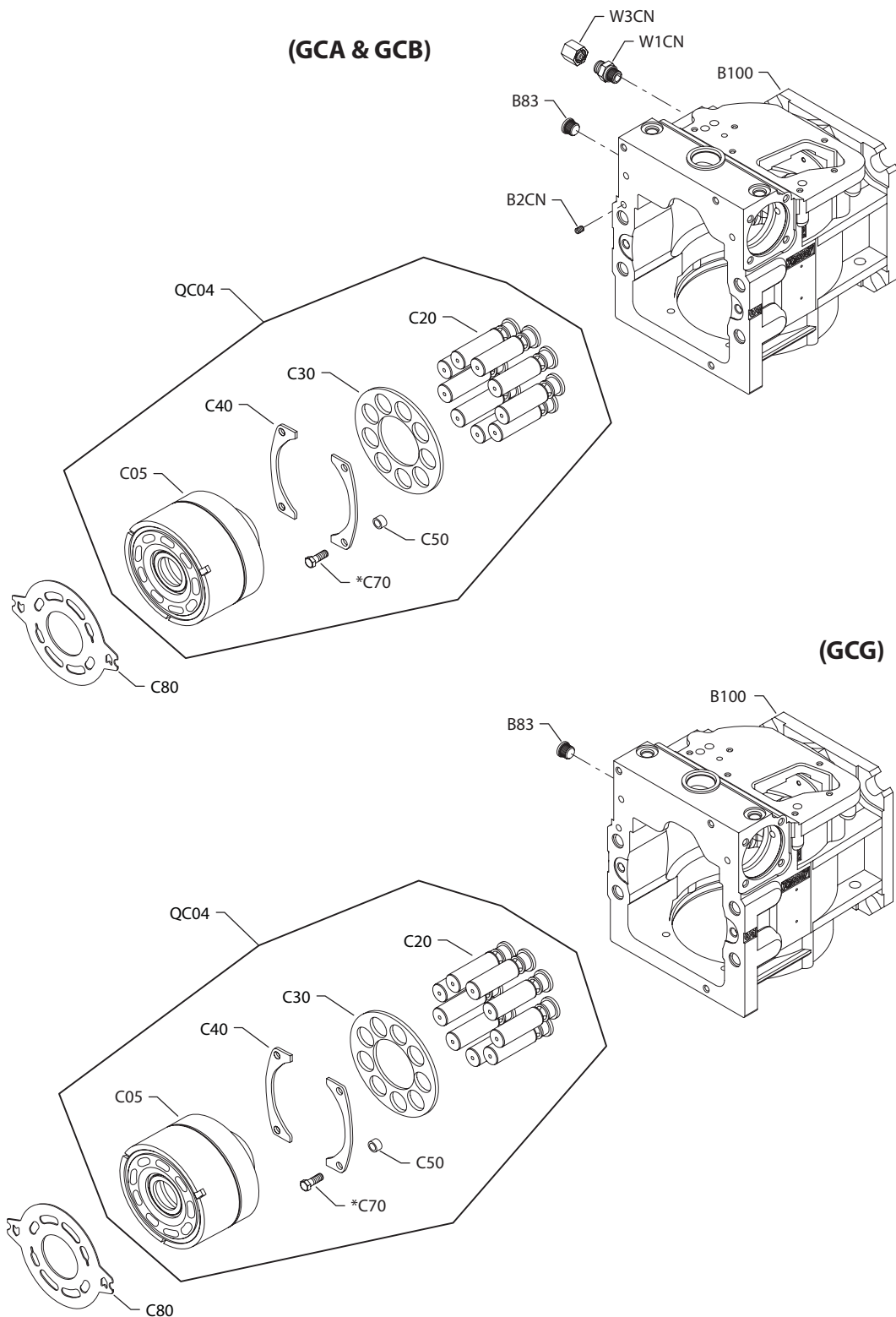
Special hardware GBZ

Order code: GBZ

Item	Date Begin	Date end	Part number	Part name	Qty. per model/kit
B83	99-52	15-40	140644	Plug assembly	1
B100	07-10	15-40	11026913	Housing assembly (<i>SB-2007-008A</i> on page 244)	1
B100	99-52	07-09	8510060	Housing assembly (<i>SB-1992-003A</i> on page 225)	1
C05	99-52	15-40	11033869	Cylinder block assembly	1
C20	99-52	15-40	727750	Piston assembly, welded	9
C30	99-52	15-40	11067352	Slipper retainer	1
C40	99-52	15-40	700963	Slipper guide bearing	2
C50	99-52	15-40	509015	Spacer	4
C70	99-52	15-40	308643-S	Screw	4
C80	99-52	15-40	518807	Valve plate	1
QC04	99-52	15-40	519274	Cylinder block kit	1
Z01	99-52	15-40	516748	Plug assembly	1
Z02	99-52	15-40	516748	Plug assembly	1
Z03	99-52	15-40	516742	Plug assembly	1
Z04	99-52	15-40	516742	Plug assembly	1
Z05	99-52	15-40	516744	Plug assembly	1
Z06	99-52	15-40	516744	Plug assembly	1
Z07	99-52	15-40	516745	Plug assembly	1
Z08	99-52	15-40	516742	Plug assembly	1
Z09	99-52	15-40	516748	Plug assembly	1
Z10	99-52	15-40	516748	Plug assembly	1
Z11	99-52	15-40	516742	Plug assembly	1
Z12	99-52	15-40	516750	Plug assembly	1
Z13	99-52	15-40	516750	Plug assembly	1
Z14	99-52	15-40	516750	Plug assembly	1
Z15	99-52	15-40	516750	Plug assembly	1
Z17	99-52	15-40	516745	Plug assembly	1
Z31	99-52	15-40	516137	Connector	2
Z32	99-52	15-40	516134	Hydraulic hose	1
Z33	99-52	15-40	019471	Screw	8
ZC1	99-52	15-40	516720	Check valve	1
ZC2	99-52	15-40	516721	Retainer	1
ZC3	99-52	15-40	516747	Headless screw	1
ZD1	99-52	15-40	516722	Pressure regulator	1
ZD2	99-52	15-40	516722	Pressure regulator	1
ZL1	99-52	15-40	516729	Relief valve	1
ZR1	99-52	15-40	516733	Relief valve	1

Special hardware GCA-GCG

Parts configuration



* = included in overhaul seal kit Q210

Special hardware GCA-GCG

Order code: GCA

Item	Date Begin	Date end	Part number	Part name	Qty. per model/kit
B83	92-19		140644	Plug assembly	1
B100	07-10		11026913	Housing assembly (<i>SB-2007-008A</i> on page 244)	1
B100	92-19	07-09	8510060	Housing assembly (<i>SB-1992-003A</i> on page 225)	1
C05	92-19		11033869	Cylinder block assembly	1
C20	92-19		727750	Piston assembly, welded	9
C30	92-19		11067352	Slipper retainer	1
C40	92-19		700963	Slipper guide bearing	2
C50	92-19		509015	Spacer	4
C70	92-19		308643-S	Screw	4
C80	92-19		518808	Valve plate	1
QC04	92-19		519274	Cylinder block kit	1

Order code: GCB

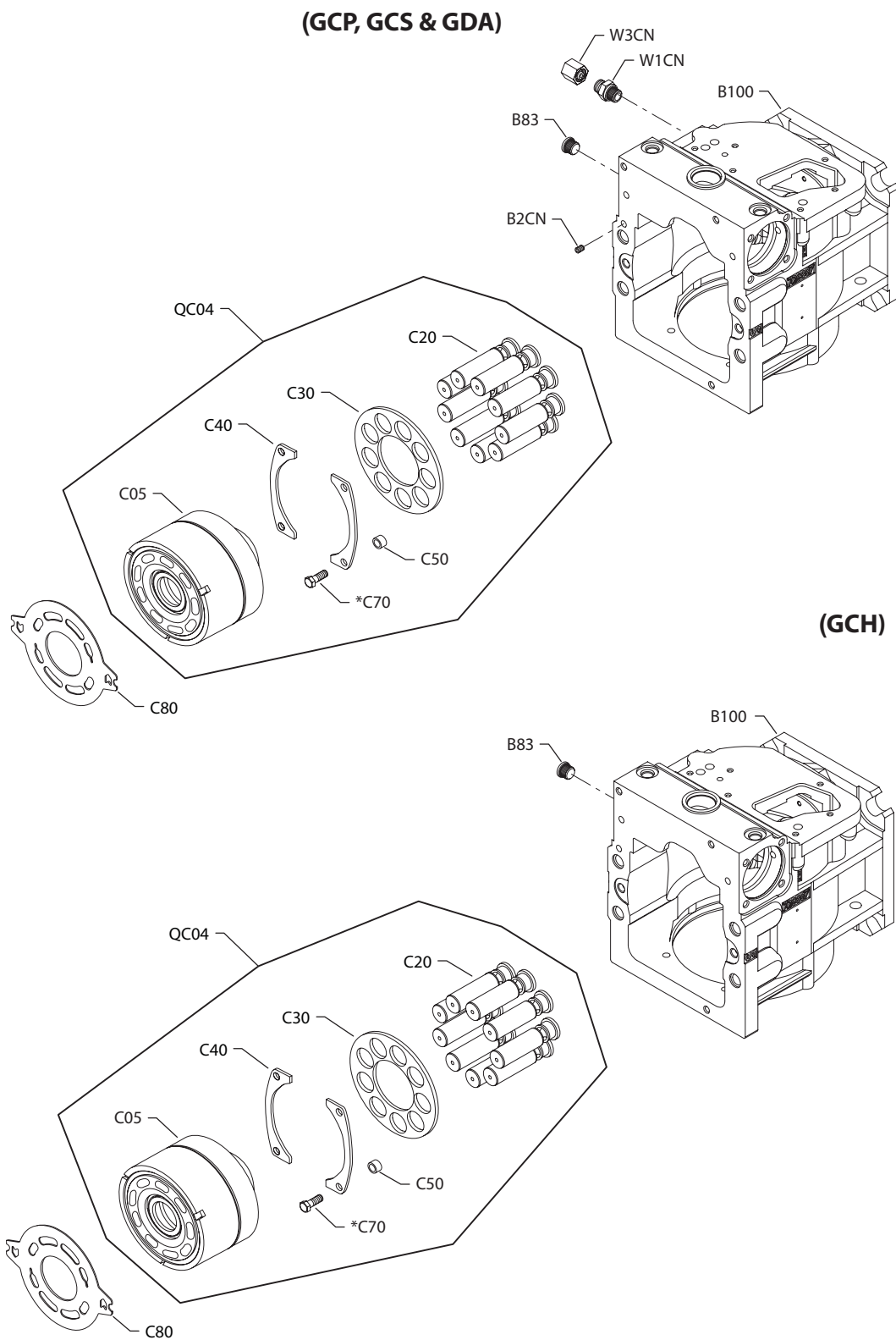
B83	92-19		140644	Plug assembly	1
B100	07-10		11026913	Housing assembly (<i>SB-2007-008A</i> on page 244)	1
B100	92-19	07-09	8510060	Housing assembly (<i>SB-1992-003A</i> on page 225)	1
C05	92-19		11033869	Cylinder block assembly	1
C20	92-19		727750	Piston assembly, welded	9
C30	92-19		11067352	Slipper retainer	1
C40	92-19		700963	Slipper guide bearing	2
C50	92-19		509015	Spacer	4
C70	92-19		308643-S	Screw	4
C80	92-19		518808	Valve plate	1
QC04	92-19		519274	Cylinder block kit	1

Order code: GCG

B2CN	92-19		775312	Set screw, M8 x 8	1
B83	92-19		140644	Plug assembly	1
B100	07-10		11026913	Housing assembly (<i>SB-2007-008A</i> on page 244)	1
B100	92-19	07-09	8510060	Housing assembly (<i>SB-1992-003A</i> on page 225)	1
C05	92-19		11033869	Cylinder block assembly	1
C20	92-19		727750	Piston assembly, welded	9
C30	92-19		11067352	Slipper retainer	1
C40	92-19		700963	Slipper guide bearing	2
C50	92-19		509015	Spacer	4
C70	92-19		308643-S	Screw	4
C80	92-19		518808	Valve plate	1
QC04	92-19		519274	Cylinder block kit	1
W1CN	92-19		723726	Connector	1
W3CN	92-19		574095	Cap	1

Special hardware GCH-GDA

Parts configuration



* = included in overhaul seal kit Q210

Special hardware GCH-GDA

Order code: GCH

Item	Date Begin	Date end	Part number	Part name	Qty. per model/kit
B2CN	13-02		775312	Set screw, M8 x 8	1
B83	13-02		140644	Plug assembly	1
B100	13-02		11026913	Housing assembly (<i>SB-2007-008A</i> on page 244)	1
C05	13-02		11033869	Cylinder block assembly	1
C20	13-02		727750	Piston assembly, welded	9
C30	13-02		11067352	Slipper retainer	1
C40	13-02		700963	Slipper guide bearing	2
C50	13-02		509015	Spacer	4
C70	13-02		308643-S	Screw	4
C80	13-02		518808	Valve plate	1
QC04	13-02		519274	Cylinder block kit	1
W1CN	13-02		723726	Connector	1
W3CN	13-02		574095	Cap	1

Order code: GCP

B83	92-19		140644	Plug assembly	1
B100	07-10		11026913	Housing assembly (<i>SB-2007-008A</i> on page 244)	1
B100	92-19	07-09	8510060	Housing assembly (<i>SB-1992-003A</i> on page 225)	1
C05	92-19		11033869	Cylinder block assembly	1
C20	92-19		727750	Piston assembly, welded	9
C30	92-19		11067352	Slipper retainer	1
C40	92-19		700963	Slipper guide bearing	2
C50	92-19		509015	Spacer	4
C70	92-19		308643-S	Screw	4
C80	92-19		518808	Valve plate	1
QC04	92-19		519274	Cylinder block kit	1

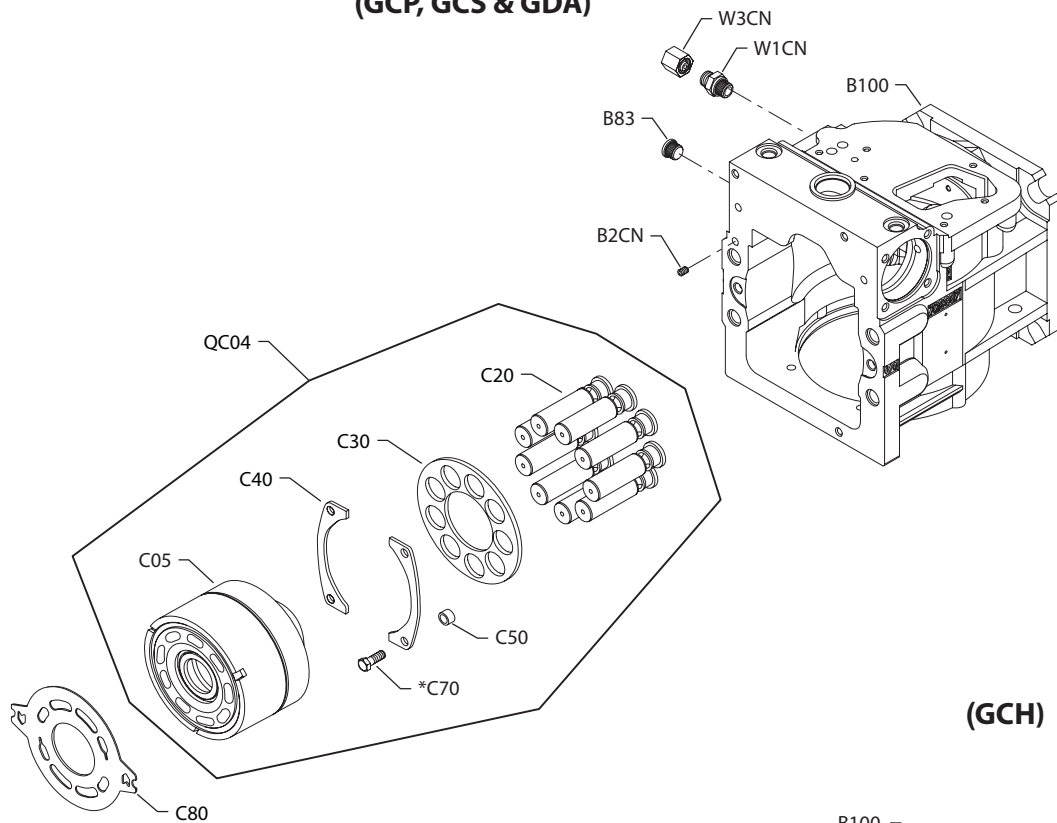
Order code: GCS

B83	98-06		140644	Plug assembly	1
B100	07-10		11026913	Housing assembly (<i>SB-2007-008A</i> on page 244)	1
B100	92-19	07-09	8510060	Housing assembly (<i>SB-1992-003A</i> on page 225)	1
C05	92-19		11033869	Cylinder block assembly	1
C20	98-06		727750	Piston assembly, welded	9
C30	98-06		11067352	Slipper retainer	1
C40	98-06		700963	Slipper guide bearing	2
C50	98-06		509015	Spacer	4
C70	98-06		308643-S	Screw	4
C80	98-06		518808	Valve plate	1
QC04	98-06		519274	Cylinder block kit	1

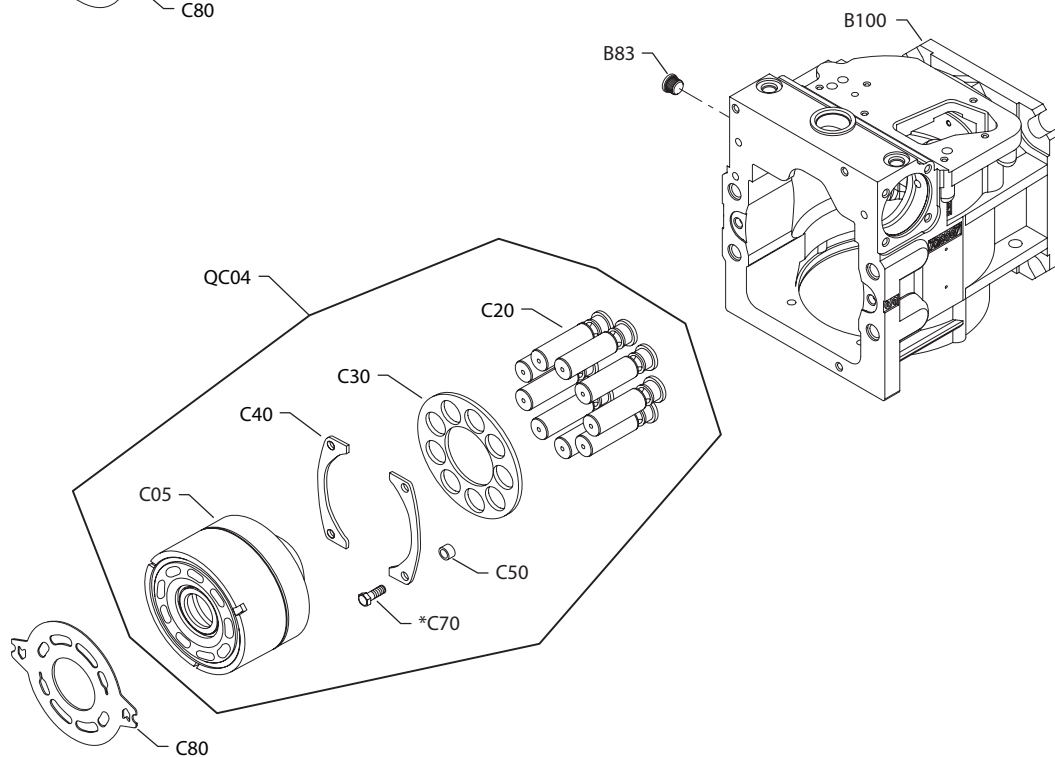
Special hardware GCH-GDA

Parts configuration

(GCP, GCS & GDA)



(GCH)



* = included in overhaul seal kit Q210

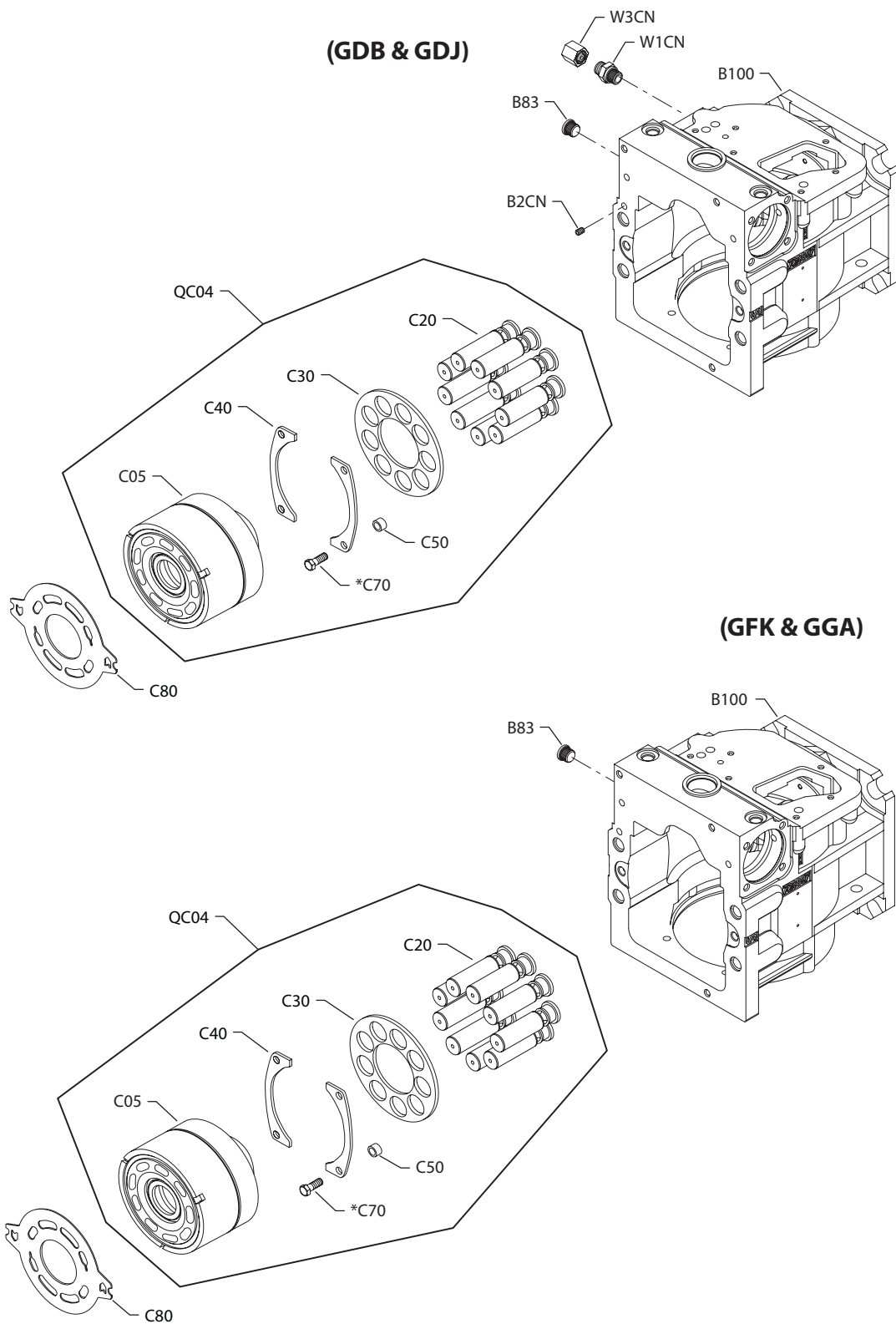
Special hardware GCH-GDA

Order code: GDA

Item	Date begin	Date end	Part number	Part name	Qty. per model/kit
B83	92-19		140644	Plug assembly	1
B100	07-10		11026913	Housing assembly (<i>SB-2007-008A</i> on page 244)	1
B100	92-19	07-09	8510060	Housing assembly (<i>SB-1992-003A</i> on page 225)	1
C05	92-19		11033869	Cylinder block assembly	1
C20	92-19		727750	Piston assembly, welded	9
C30	92-19		11067352	Slipper retainer	1
C40	92-19		700963	Slipper guide bearing	2
C50	92-19		509015	Spacer	4
C70	92-19		308643-S	Screw	4
C80	92-19		518932	Valve plate	1
QC04	92-19		519274	Cylinder block kit	1

Special hardware GDB-GGA

Parts configuration



* = included in overhaul seal kit Q210

Special hardware GDB-GGA

Order code: GDB

Item	Date Begin	Date end	Part number	Part name	Qty. per model/kit
B2CN	92-19	08-03	775312	Set screw, M8 x 8	1
B83	92-19	08-03	140644	Plug assembly	1
B100	07-10	08-03	11026913	Housing assembly (<i>SB-2007-008A</i> on page 244)	1
B100	92-19	07-09	8510060	Housing assembly (<i>SB-1992-003A</i> on page 225)	1
C05	92-19	08-03	11033869	Cylinder block assembly	1
C20	92-19	08-03	727750	Piston assembly, welded	9
C30	92-19	08-03	11067352	Slipper retainer	1
C40	92-19	08-03	700963	Slipper guide bearing	2
C50	92-19	08-03	509015	Spacer	4
C70	92-19	08-03	308643-S	Screw	4
C80	92-19	08-03	518932	Valve plate	1
QC04	92-19	08-03	519274	Cylinder block kit	1
W1CN	92-19	08-03	723726	Connector	1
W3CN	92-19	08-03	574095	Cap	1

Order code: GDJ

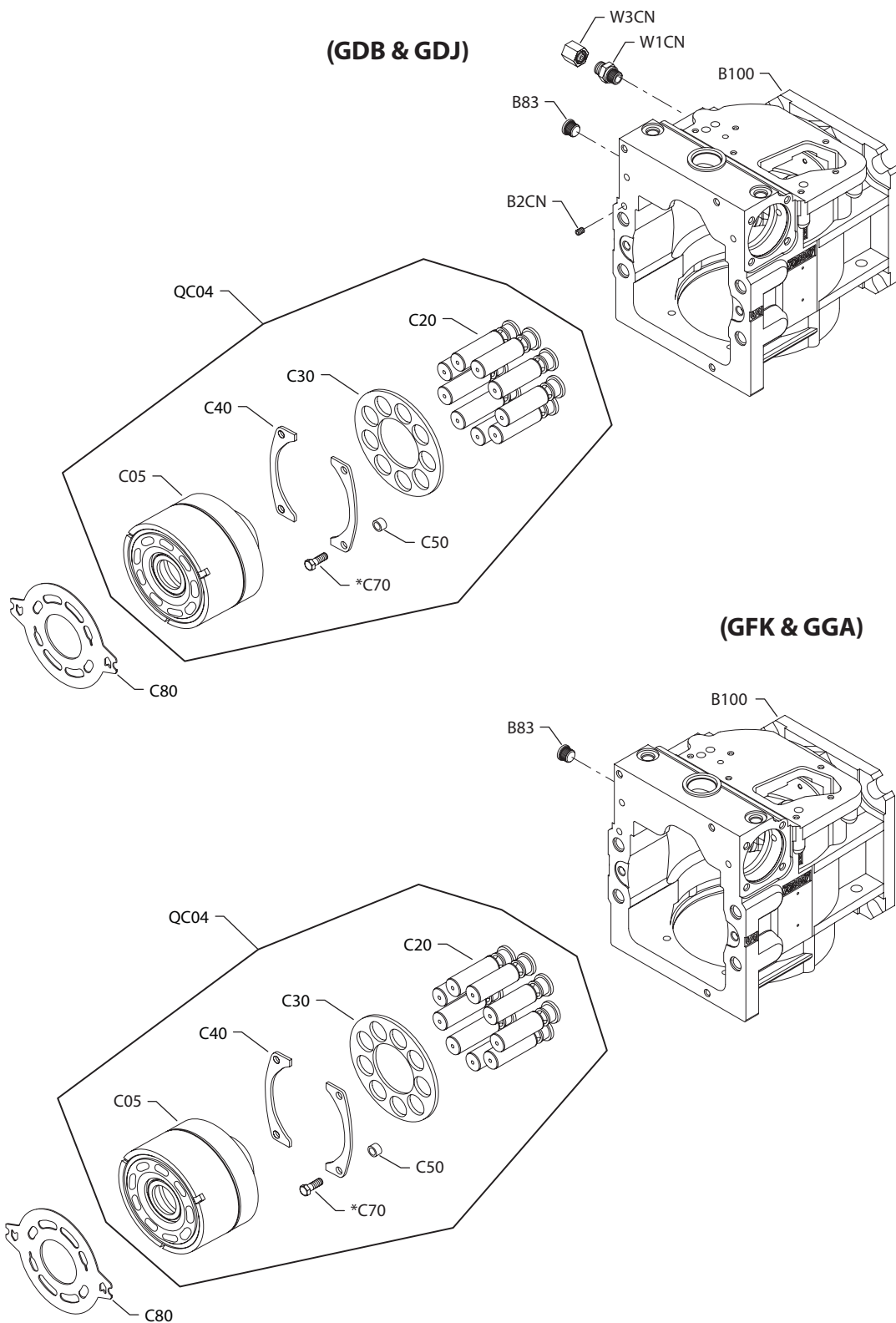
B83	17-47		140644	Plug assembly	1
B100	17-47		11026913	Housing assembly	1
C05	17-47		11033869	Cylinder block assembly, without speed ring	1
C20	17-47		727750	Piston assembly, welded	9
C30	17-47		11067352	Slipper retainer	1
C40	17-47		700963	Slipper guide bearing	2
C50	17-47		509015	Spacer	4
C70	17-47		308643-S	Screw	4
C80	17-47		518807	Valve plate	1
QC04	17-47		519274	Cylinder block kit, without speed ring, welded piston	1

Order code: GFK

B83	08-51		140644	Plug assembly	1
B100	08-51		11026913	Housing assembly	1
C05	08-51		11033869	Cylinder block assembly	1
C20	08-51		727750	Piston assembly, welded	9
C30	08-51		11067352	Slipper retainer	1
C40	08-51		700963	Slipper guide bearing	2
C50	08-51		509015	Spacer	4
C70	08-51		308643-S	Screw	4
C80	08-51		518807	Valve plate	1
QC04	08-51		519274	Cylinder block kit	1

Special hardware GDB-GGA

Parts configuration



* = included in overhaul seal kit Q210

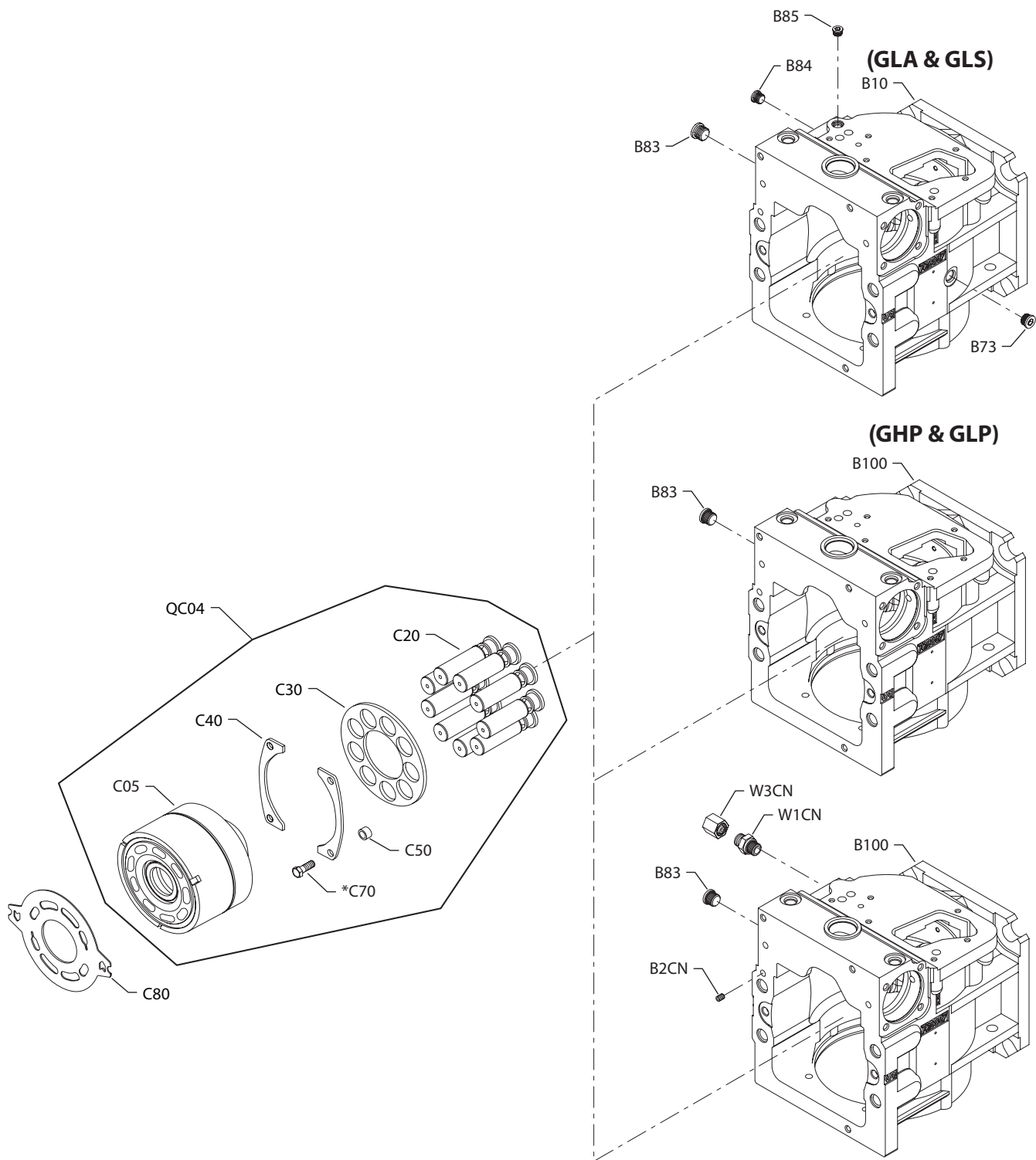
Special hardware GDB-GGA

Order code: GGA

Item	Date begin	Date end	Part number	Part name	Qty. per model/kit
B83	12-39		140644	Plug assembly	1
B100	12-39		11026913	Housing assembly	1
C05	12-39		11033869	Cylinder block assembly	1
C20	12-39		727750	Piston assembly, welded	9
C30	12-39		11067352	Slipper retainer	1
C40	12-39		700963	Slipper guide bearing	2
C50	12-39		509015	Spacer	4
C70	12-39		308643-S	Screw	4
C80	12-39		518935	Valve plate	1
QC04	12-39		519274	Cylinder block kit	1

Special hardware GHP-GLS

Parts configuration



* = included in overhaul seal kit Q210

Special hardware GHP-GLS

Order code: GHP

Item	Date Begin	Date end	Part number	Part name	Qty. per model/kit
B83	12-39		140644	Plug assembly	1
B100	12-39		11117179	Housing assembly	1
C05	12-39		11033869	Cylinder block assembly	1
C20	12-39		727750	Piston assembly, welded	9
C30	12-39		11067352	Slipper retainer	1
C40	12-39		700963	Slipper guide bearing	2
C50	12-39		509015	Spacer	4
C70	12-39		308643-S	Screw	4
C80	12-39		518807	Valve plate	1
QC04	12-39		519274	Cylinder block kit	1

Order code: GLA

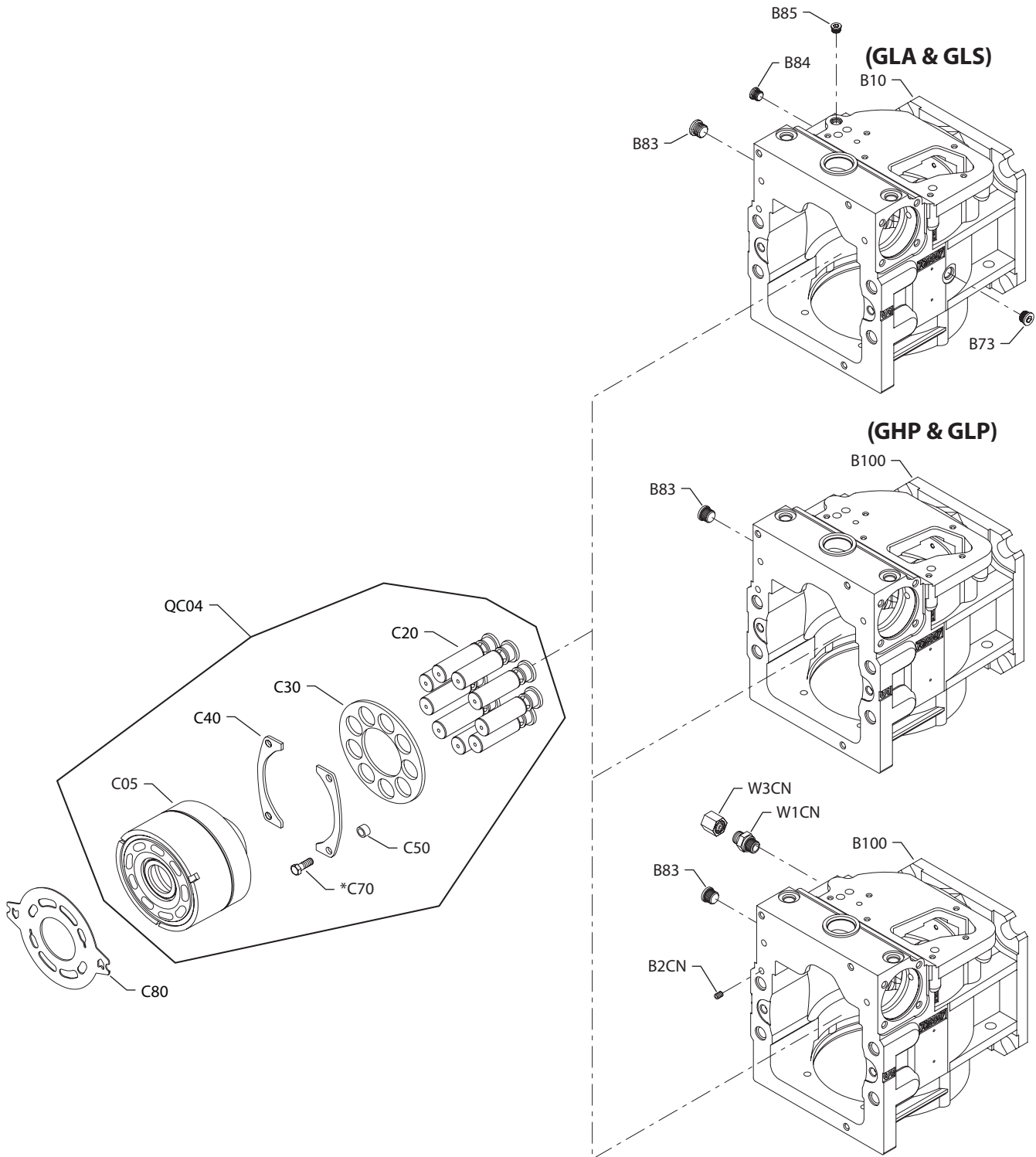
B83	00-13		140644	Plug assembly	1
B100	07-10		11026913	Housing assembly (<i>SB-2007-008A</i> on page 244)	1
B100	00-13	07-09	8510060	Housing assembly (<i>SB-1992-003A</i> on page 225)	
C05	00-13		11033869	Cylinder block assembly	1
C20	00-13		727750	Piston assembly, welded	9
C30	00-13		11067352	Slipper retainer	1
C40	00-13		700963	Slipper guide bearing	2
C50	00-13		509015	Spacer	4
C70	00-13		308643-S	Screw	4
C80	00-13		518937	Valve plate, CW, lapped	1
C80	00-13		518938	Valve plate, CCW, lapped	1
QC04	00-13		519274	Cylinder block kit	1

Order code: GLP

B73	98-02		140644	Plug assembly	1
B83	98-02		140644	Plug assembly	1
B84	98-02		509603	Plug assembly, M10 x 1	1
B85	98-02		509603	Plug assembly, M10 x 1	1
B10	98-02		11006984	Housing (<i>SB-2007-008A</i> on page 244)	1
C05	98-02		11033869	Cylinder block assembly	1
C20	98-02		727750	Piston assembly, welded	9
C30	98-02		11067352	Slipper retainer	1
C40	98-02		700963	Slipper guide bearing	2
C50	98-02		509015	Spacer	4
C70	98-02		308643-S	Screw	4
C80	98-02		518937	Valve plate, CW, lapped	1
C80	98-02		518938	Valve plate, CCW, lapped	1
QC04	98-02		519274	Cylinder block kit	1

Special hardware GHP-GLS

Parts configuration



* = included in overhaul seal kit Q210

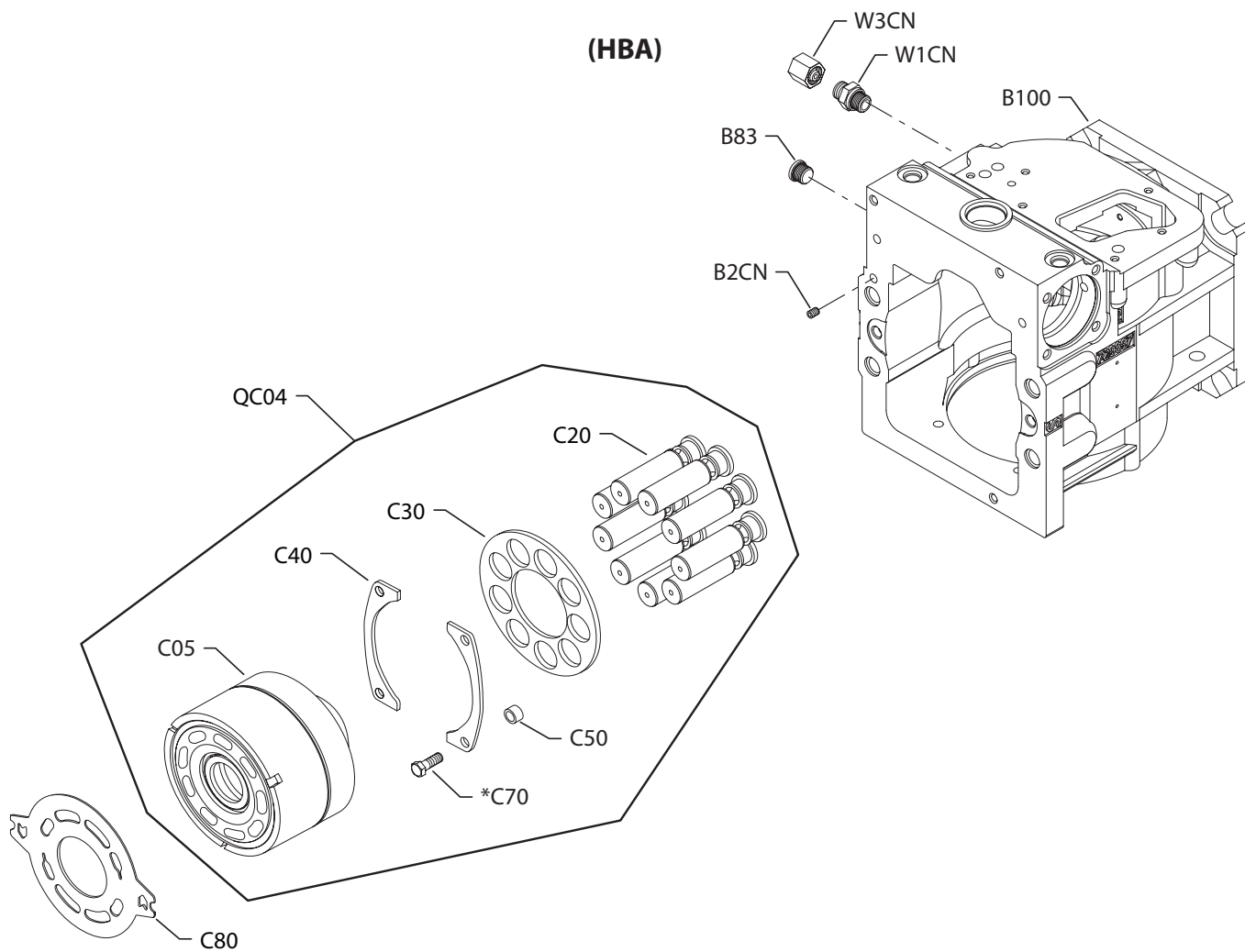
Special hardware GHP-GLS

Order code: GLS

Item	Date begin	Date end	Part number	Part name	Qty. per model/kit
B83	98-18		140644	Plug assembly	1
B100	07-10		11026913	Housing assembly (<i>SB-2007-008A</i> on page 244)	1
B100	98-18	07-09	8510060	Housing assembly (<i>SB-1992-003A</i> on page 225)	1
C05	98-18		11033869	Cylinder block assembly	1
C20	98-18		727750	Piston assembly, welded	9
C30	98-18		11067352	Slipper retainer	1
C40	98-18		700963	Slipper guide bearing	2
C50	98-18		509015	Spacer	4
C70	98-18		308643-S	Screw	4
C80	98-18		518937	Valve plate, CW, lapped	1
C80	98-18		518938	Valve plate, CCW, lapped	1
QC04	98-18		519274	Cylinder block kit	1

Special hardware HBA

Parts configuration



* = included in overhaul seal kit Q210

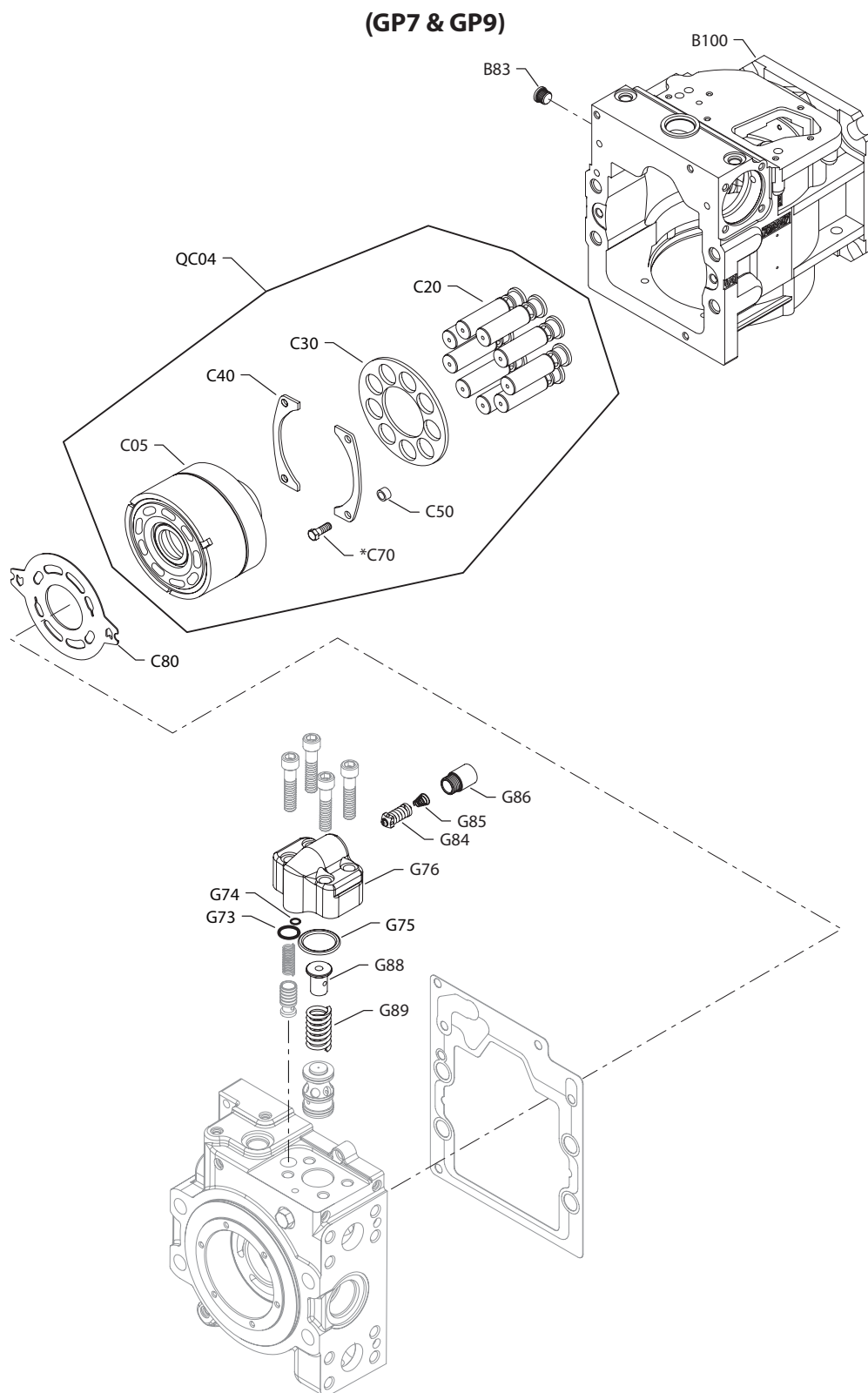
Special hardware HBA

Order code: HBA

Item	Date Begin	Date end	Part number	Part name	Qty. per model/kit
B2CN	94-14		775312	Set screw, M8 x 8	1
B83	94-14		140644	Plug assembly	1
B100	07-10		11026913	Housing assembly (<i>SB-2007-008A</i> on page 244)	1
B100	94-14	07-09	8510060	Housing assembly (<i>SB-1992-003A</i> on page 225)	1
C05	94-14		11033869	Cylinder block assembly	1
C20	94-14		727750	Piston assembly, welded	9
C30	94-14		11067352	Slipper retainer	1
C40	94-14		700963	Slipper guide bearing	2
C50	94-14		509015	Spacer	4
C70	94-14		308643-S	Screw	4
C80	94-14		518933	Valve plate	1
QC04	94-14		519274	Cylinder block kit	1
W1CN	94-14		723726	Connector	1
W3CN	94-14		574095	Cap	1

Special hardware GP7-GP9

Parts configuration



* = included in overhaul seal kit Q210

Special hardware GP7-GP9

Order code: GP7

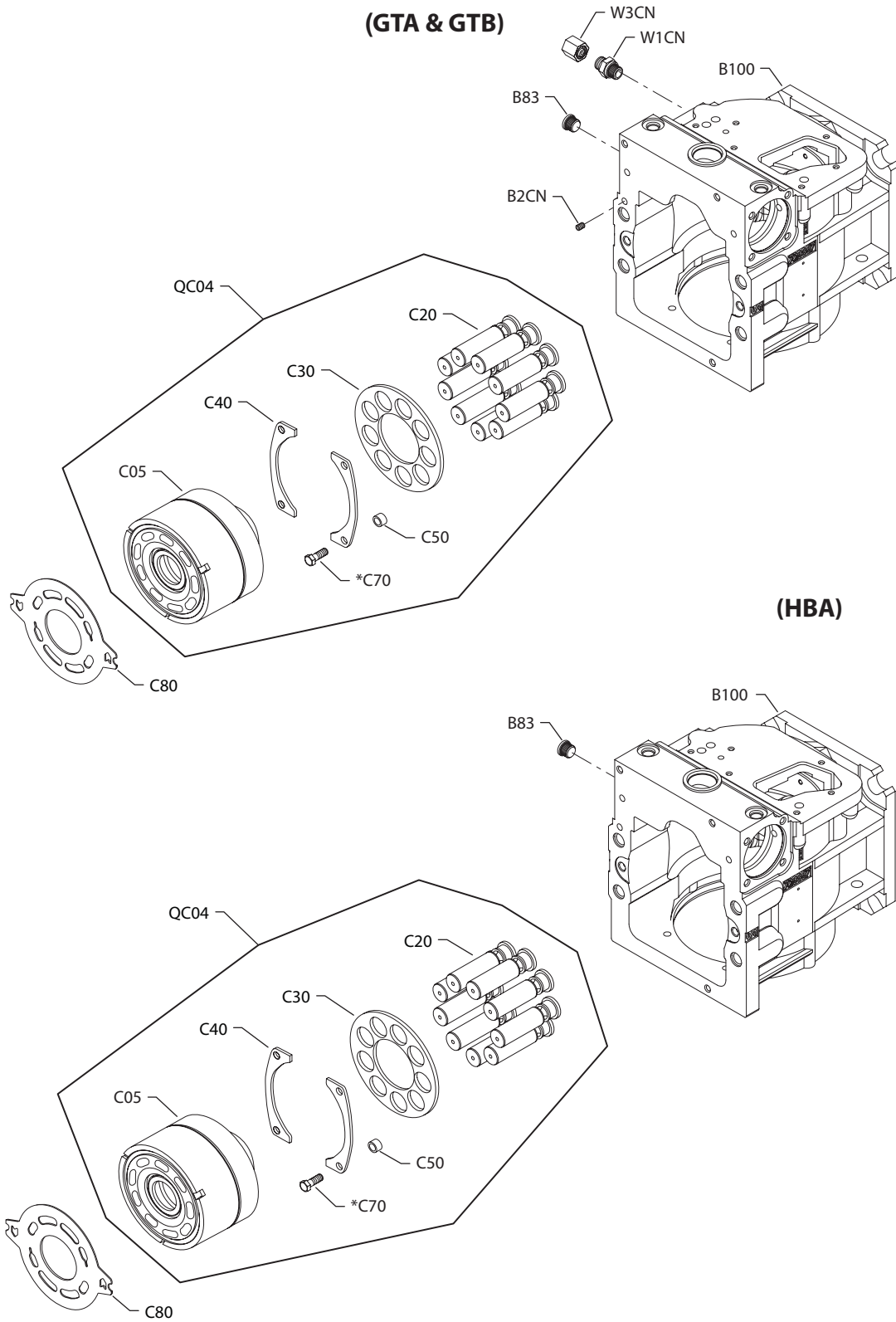
Item	Date Begin	Date end	Part number	Part name	Qty. per model/kit
B83	15-24		140644	Plug assembly	1
B100	15-24		11026913	Housing assembly	1
C05	15-24		11033869	Cylinder block assembly	1
C20	15-24		727750	Piston assembly, welded	9
C30	15-24		11067352	Slipper retainer	1
C40	15-24		700963	Slipper guide bearing	2
C50	15-24		509015	Spacer	4
C70	15-24		308643-S	Screw	4
C80	15-24		518937	Valve plate, CW	1
C80	15-24		518938	Valve plate, CCW	1
G73	15-24		519873	Seal	1
G74	15-24		144725 (9004105-0110)	O-ring	1
G75	15-24		518329	O-ring	1
G76	15-24		517828	Valve housing	1
G84	15-24		3103375-0280	SCR valve, 280 bar [4060 psi]	1
G85	15-24		4800780	Conical spring	1
G86	15-24		11126727	Plug assembly	1
G88	15-24		517829	Spring guide	1
G89	15-24		517831	Spring	1
QC04	15-24		519274	Cylinder block kit	1

Order code: GP9

B83	02-30		140644	Plug assembly	1
B100	07-10		11026913	Housing assembly (<i>SB-2007-008A</i> on page 244)	1
B100	02-30	07-09	8510060	Housing assembly	1
C05	02-30		11033869	Cylinder block assembly	1
C20	02-30		727750	Piston assembly, welded	9
C30	02-30		11067352	Slipper retainer	1
C40	02-30		700963	Slipper guide bearing	2
C50	02-30		509015	Spacer	4
C70	02-30		308643-S	Screw	4
C80	02-30		518807	Valve plate	1
G73	02-30		519873	Seal	1
G74	02-30		144725 (9004105-0110)	O-ring	1
G75	02-30		518329	O-ring	1
G76	02-30		517828	Valve housing	1
G84	02-30		3103375-0140	SCR valve, 140 bar [2030 psi]	1
G85	02-30		4800780	Conical spring	1
G86	02-30		11126727	Plug assembly	1
G88	02-30		517829	Spring guide	1
G89	02-30		517831	Spring	1
QC04	02-30		519274	Cylinder block kit	1

Special hardware GTA-HBA

Parts configuration



* = included in overhaul seal kit Q210

Special hardware GTA-HBA*Order code: GTA*

Item	Date Begin	Date end	Part number	Part name	Qty. per model/kit
B83	14-02		140644	Plug assembly	1
B100	14-02		11026913	Housing assembly	1
C05	14-02		11033869	Cylinder block assembly	1
C20	14-02		727750	Piston assembly, welded	9
C30	14-02		11067352	Slipper retainer	1
C40	14-02		700963	Slipper guide bearing	2
C50	14-02		509015	Spacer	4
C70	14-02		308643-S	Screw	4
C80	14-02		518807	Valve plate	1
QC04	14-02		519274	Cylinder block kit	1

Order code: GTB

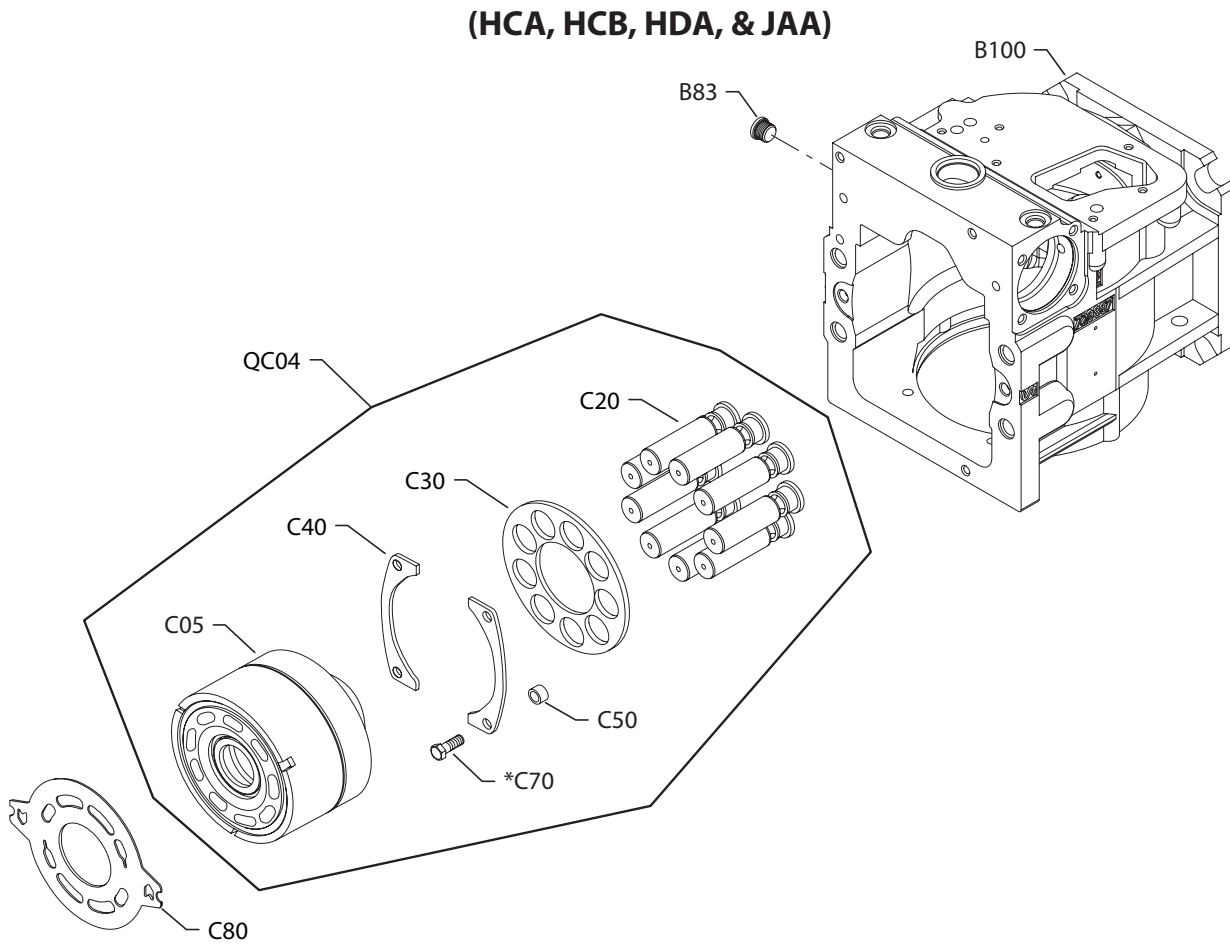
B83	15-14		140644	Plug assembly	1
B100	15-14		11026913	Housing assembly	1
C05	15-14		11033869	Cylinder block assembly	1
C20	15-14		727750	Piston assembly, welded	9
C30	15-14		11067352	Slipper retainer	1
C40	15-14		700963	Slipper guide bearing	2
C50	15-14		509015	Spacer	4
C70	15-14		308643-S	Screw	4
C80	15-14		518807	Valve plate	1
QC04	15-14		519274	Cylinder block kit	1

Order code: HBA

B2CN	08-04	08-03	775312	Set screw	1
B83	08-04	08-03	140644	Plug assembly	1
B100	08-04	08-03	11026913	Housing assembly	1
C05	08-04	08-03	519258	Cylinder block assembly	1
C20	08-04	08-03	727750	Piston assembly, welded	9
C30	08-04	08-03	11067352	Slipper retainer	1
C40	08-04	08-03	700963	Slipper guide bearing	2
C50	08-04	08-03	509015	Spacer	4
C70	08-04	08-03	308643-S	Screw	4
C80	08-04	08-03	518934	Valve plate	1
QC04	08-04	08-03	519274	Cylinder block kit	1
W1CN	08-04	08-03	723726	Connector	1
W3CN	08-04	08-03	574095	Cap	1

Special hardware HCA-JAA

Parts configuration



* = included in overhaul seal kit Q210

Special hardware HCA-JAA

Order code: HCA

Item	Date Begin	Date end	Part number	Part name	Qty. per model/kit
B83	92-19		140644	Plug assembly	1
B100	07-10		11026913	Housing assembly (<i>SB-2007-008A</i> on page 244)	1
B100	92-19	07-09	8510060	Housing assembly (<i>SB-1992-003A</i> on page 225)	1
C05	92-19		11033869	Cylinder block assembly	1
C20	92-19		727750	Piston assembly, welded	9
C30	92-19		11067352	Slipper retainer	1
C40	92-19		700963	Slipper guide bearing	2
C50	92-19		509015	Spacer	4
C70	92-19		308643-S	Screw	4
C80	92-19		518933	Valve plate	1
QC04	92-19		519274	Cylinder block kit	1

Order code: HCB

B83	13-41		140644	Plug assembly	1
B100	13-41		11026913	Housing assembly	1
C05	13-41		11033869	Cylinder block assembly	1
C20	13-41		727750	Piston assembly, welded	9
C30	13-41		11067352	Slipper retainer	1
C40	13-41		700963	Slipper guide bearing	2
C50	13-41		509015	Spacer	4
C70	13-41		308643-S	Screw	4
C80	13-41		518933	Valve plate	1
QC04	13-41		519274	Cylinder block kit	1

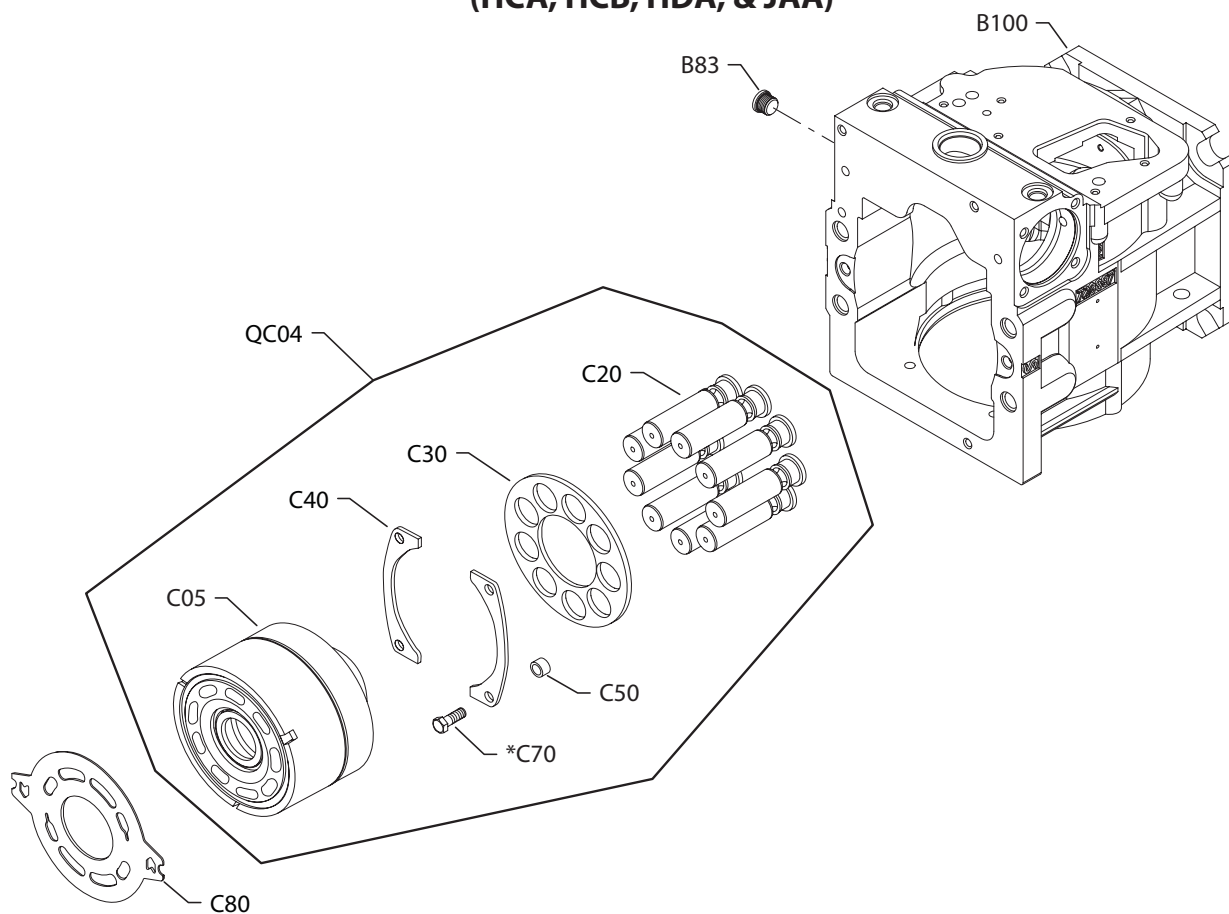
Order code: HDA

B83	00-22		140644	Plug assembly	1
B100	07-10		11026913	Housing assembly (<i>SB-2007-008A</i> on page 244)	1
B100	00-22	07-09	8510060	Housing assembly (<i>SB-1992-003A</i> on page 225)	1
C05	00-22		11033869	Cylinder block assembly	1
C20	00-22		727750	Piston assembly, welded	9
C30	00-22		11067352	Slipper retainer	1
C40	00-22		700963	Slipper guide bearing	2
C50	00-22		509015	Spacer	4
C70	00-22		308643-S	Screw	4
C80	00-22		518807	Valve plate	1
QC04	00-22		519274	Cylinder block kit	1

Special hardware HCA-JAA

Parts configuration

(HCA, HCB, HDA, & JAA)



* = included in overhaul seal kit Q210

Special hardware HCA-JAA

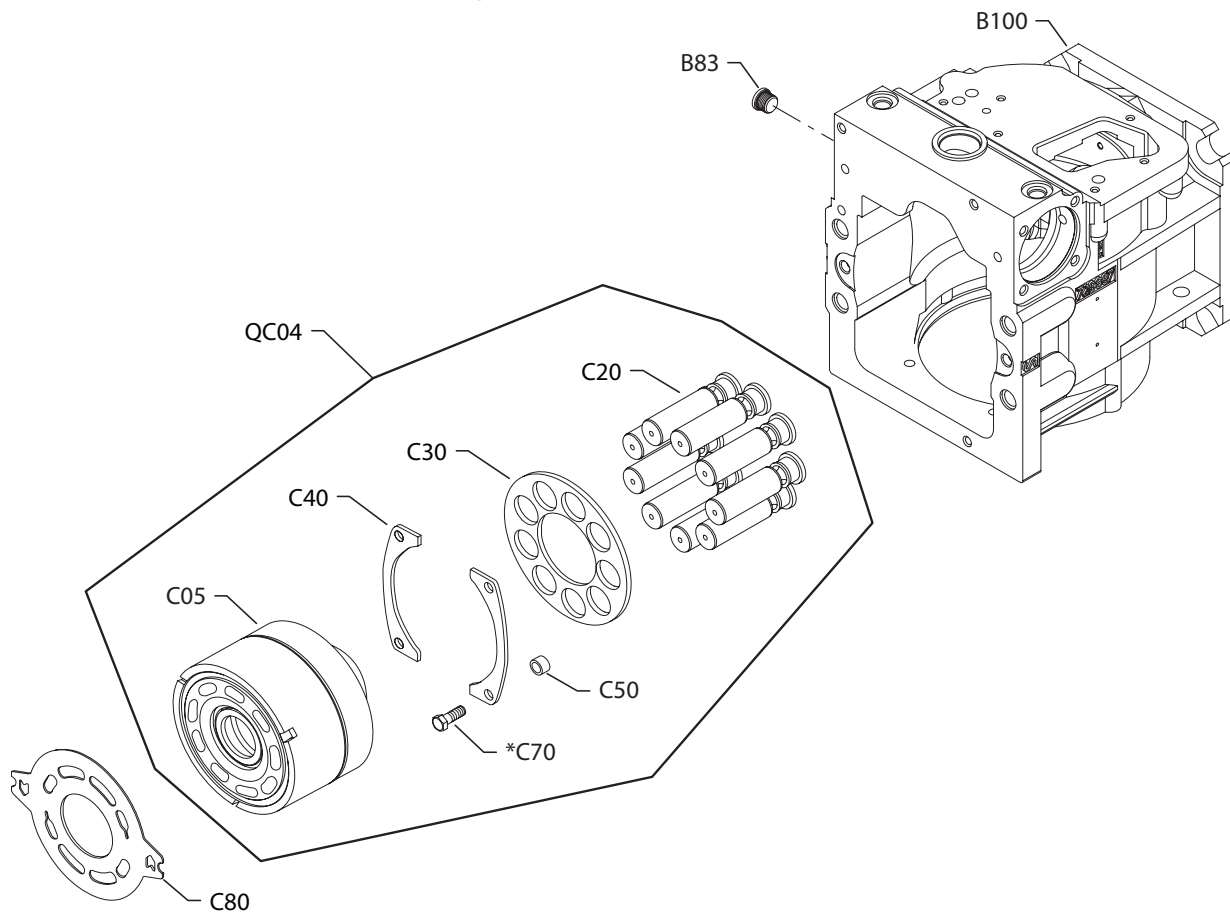
Order code: JAA

Item	Date begin	Date end	Part number	Part name	Qty. per model/kit
B83	94-50		140644	Plug assembly	1
B100	07-10		11026913	Housing assembly (<i>SB-2007-008A</i> on page 244)	1
B100	94-50	07-09	8510060	Housing assembly (<i>SB-1992-003A</i> on page 225)	1
C05	94-50		11033869	Cylinder block assembly	1
C20	94-50		727750	Piston assembly, welded	9
C30	94-50		11067352	Slipper retainer	1
C40	94-50		700963	Slipper guide bearing	2
C50	94-50		509015	Spacer	4
C70	94-50		308643-S	Screw	4
C80	94-50		518933	Valve plate	1
QC04	94-50		519274	Cylinder block kit	1

Special hardware JCA-JCF

Parts configuration

(JCA, JCB, JCE, & JCF)



* = included in overhaul seal kit Q210

Special hardware JCA-JCF

Order code: JCA

Item	Date Begin	Date end	Part number	Part name	Qty. per model/kit
B83	08-12		140644	Plug assembly	1
B100	08-12		11026913	Housing assembly	1
C05	08-12		11033869	Cylinder block assembly	1
C20	08-12		727750	Piston assembly, welded	9
C30	08-12		11067352	Slipper retainer	1
C40	08-12		700963	Slipper guide bearing	2
C50	08-12		509015	Spacer	4
C70	08-12		308643-S	Screw	4
C80	08-12		518807	Valve plate	1
QC04	08-12		519274	Cylinder block kit	1

Order code: JCB

B83	09-14		140644	Plug assembly	1
B100	09-14		11026913	Housing assembly	1
C05	09-14		11033869	Cylinder block assembly	1
C20	09-14		727750	Piston assembly, welded	9
C30	09-14		11067352	Slipper retainer	1
C40	09-14		700963	Slipper guide bearing	2
C50	09-14		509015	Spacer	4
C70	09-14		308643-S	Screw	4
C80	09-14		518807	Valve plate	1
QC04	09-14		519274	Cylinder block kit	1

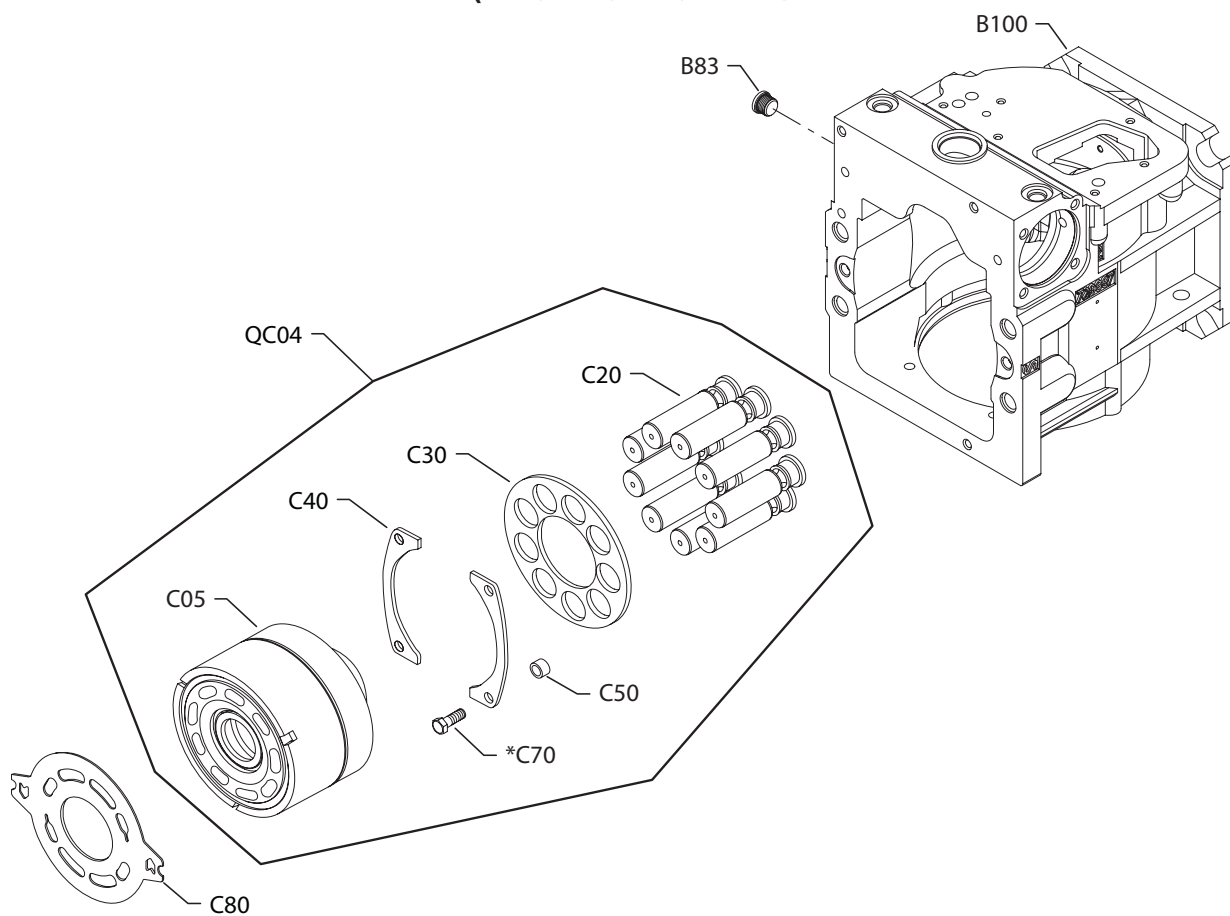
Order code: JCE

B83	09-39		140644	Plug assembly	1
B100	09-39		11026913	Housing assembly	1
C05	09-39		11033869	Cylinder block assembly	1
C20	09-39		727750	Piston assembly, welded	9
C30	09-39		11067352	Slipper retainer	1
C40	09-39		700963	Slipper guide bearing	2
C50	09-39		509015	Spacer	4
C70	09-39		308643-S	Screw	4
C80	09-39		518807	Valve plate	1
QC04	09-39		519274	Cylinder block kit	1

Special hardware JCA-JCF

Parts configuration

(JCA, JCB, JCE, & JCF)



* = included in overhaul seal kit Q210

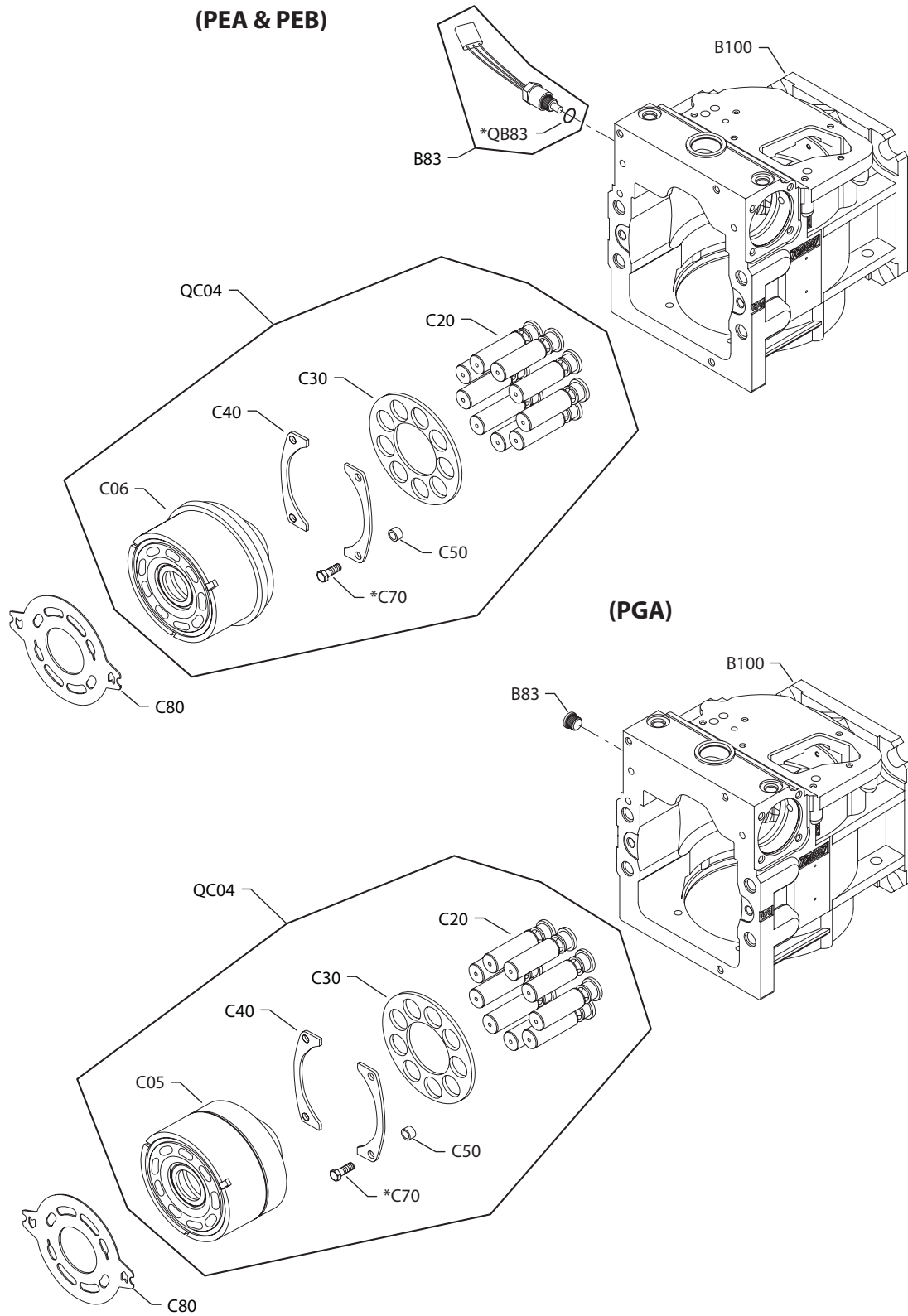
Special hardware JCA-JCF

Order code: JCF

Item	Date begin	Date end	Part number	Part name	Qty. per model/kit
B83	10-15		140644	Plug assembly	1
B100	10-15		11026913	Housing assembly	1
C05	10-15		11033869	Cylinder block assembly	1
C20	10-15		727750	Piston assembly, welded	9
C30	10-15		11067352	Slipper retainer	1
C40	10-15		700963	Slipper guide bearing	2
C50	10-15		509015	Spacer	4
C70	10-15		308643-S	Screw	4
C80	10-15		518808	Valve plate	1
QC04	10-15		519274	Cylinder block kit	1

Special hardware PEA-PGA

Parts configuration



A generic speed sensor is shown

* = included in overhaul seal kit Q210

Special hardware PEA-PGA

Order code: PEA

Item	Date Begin	Date end	Part number	Part name	Qty. per model/kit
B83	07-32		KPPG156	Speed sensor assembly	1
B100	07-10		11026913	Housing assembly	1
C06	08-12		519259	Cylinder block assembly with speed ring	1
C20	08-12		727750	Piston assembly, welded	9
C30	08-12		11067352	Slipper retainer	1
C40	08-12		700963	Slipper guide bearing	2
C50	08-12		509015	Spacer	4
C70	08-12		308643-S	Screw	4
C80	08-12		518807	Valve plate	1
QC04	08-12		519275	Cylinder block kit with speed ring	1

Order code: PEB

B83	14-40		KPPG156	Speed sensor assembly	1
B100	14-40		11026913	Housing assembly	1
C06	14-40		519259	Cylinder block assembly with speed ring	1
C20	14-40		727750	Piston assembly, welded	9
C30	14-40		11067352	Slipper retainer	1
C40	14-40		700963	Slipper guide bearing	2
C50	14-40		509015	Spacer	4
C70	14-40		308643-S	Screw	4
C80	14-40		518937	Valve plate, CW	1
C80	14-40		518938	Valve plate, CCW	1
QC04	14-40		519275	Cylinder block kit	1

Order code: PGA

B83	07-13		140644	Plug assembly	1
B100	07-13		11026913	Housing assembly	1
C05	07-13		11033869	Cylinder block assembly	1
C20	07-13		727750	Piston assembly, welded	9
C30	07-13		11067352	Slipper retainer	1
C40	07-13		700963	Slipper guide bearing	2
C50	07-13		509015	Spacer	4
C70	07-13		308643-S	Screw	4
C80	07-13		518807	Valve plate	1
QC04	07-13		519274	Cylinder block kit	1

Displacement limitation 1-4*Order code: 1*

Item	Date Begin	Date end	Part number	Part name	Qty. per model/kit
F10	03-21		11046630	Servo piston assembly	1
F105	03-21		11060160	Servo cylinder assembly, adjustable	1
F111	03-21		378083 (9007210-0804)	Screw	4
F112	03-21		042432	Seal nut, M10	1
F113	03-21		11085626	Set screw, M10 x 50	1
F205	03-21		11060158	Servo cylinder assembly, non-adjustable	1
F211	03-21		378083 (9007210-0804)	Screw	4

Order code: 3

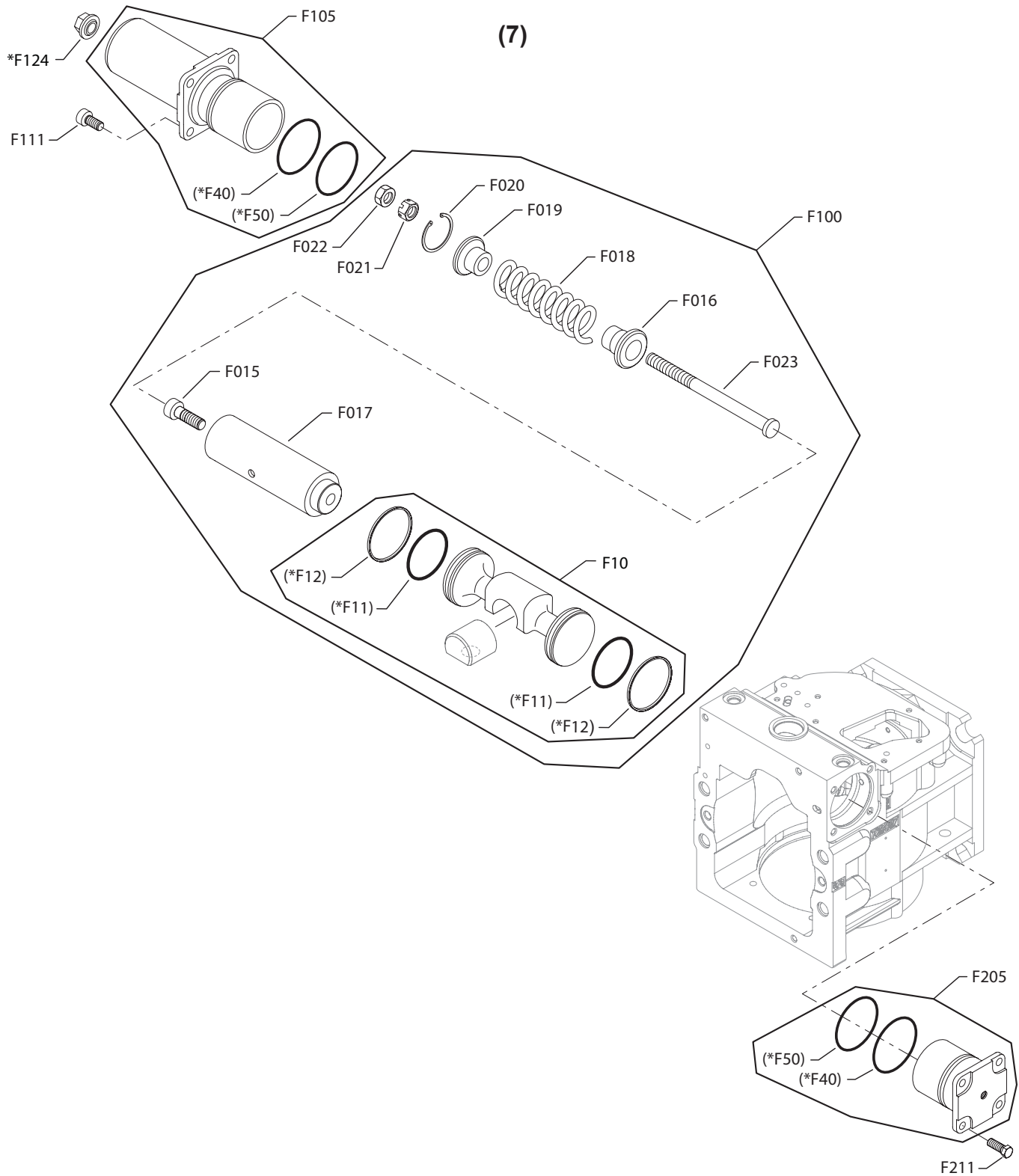
F10	89-41		11046630	Servo piston assembly	1
F105	89-41		11060158	Servo cylinder assembly, non-adjustable	1
F111	89-41		378083 (9007210-0804)	Screw	4
F205	89-41		11060158	Servo cylinder assembly, non-adjustable	1
F211	89-41		378083 (9007210-0804)	Screw	4

Order code: 4

F10	89-41		11046630	Servo piston assembly	1
F105	89-41		11060160	Servo cylinder assembly, adjustable	1
F111	89-41		378083 (9007210-0804)	Screw	4
F112	89-41		042432	Seal nut, M10	1
F113	89-41		11085626	Set screw, M10 x 50	1
F205	89-41		11060160	Servo cylinder assembly, adjustable	1
F211	89-41		378083 (9007210-0804)	Screw	4
F212	89-41		042432	Seal nut, M10	1
F213	89-41		11085626	Set screw M10 x 50	1

Displacement limitation 7

Parts configuration



* = included in overhaul seal kit Q210

() = not available individually

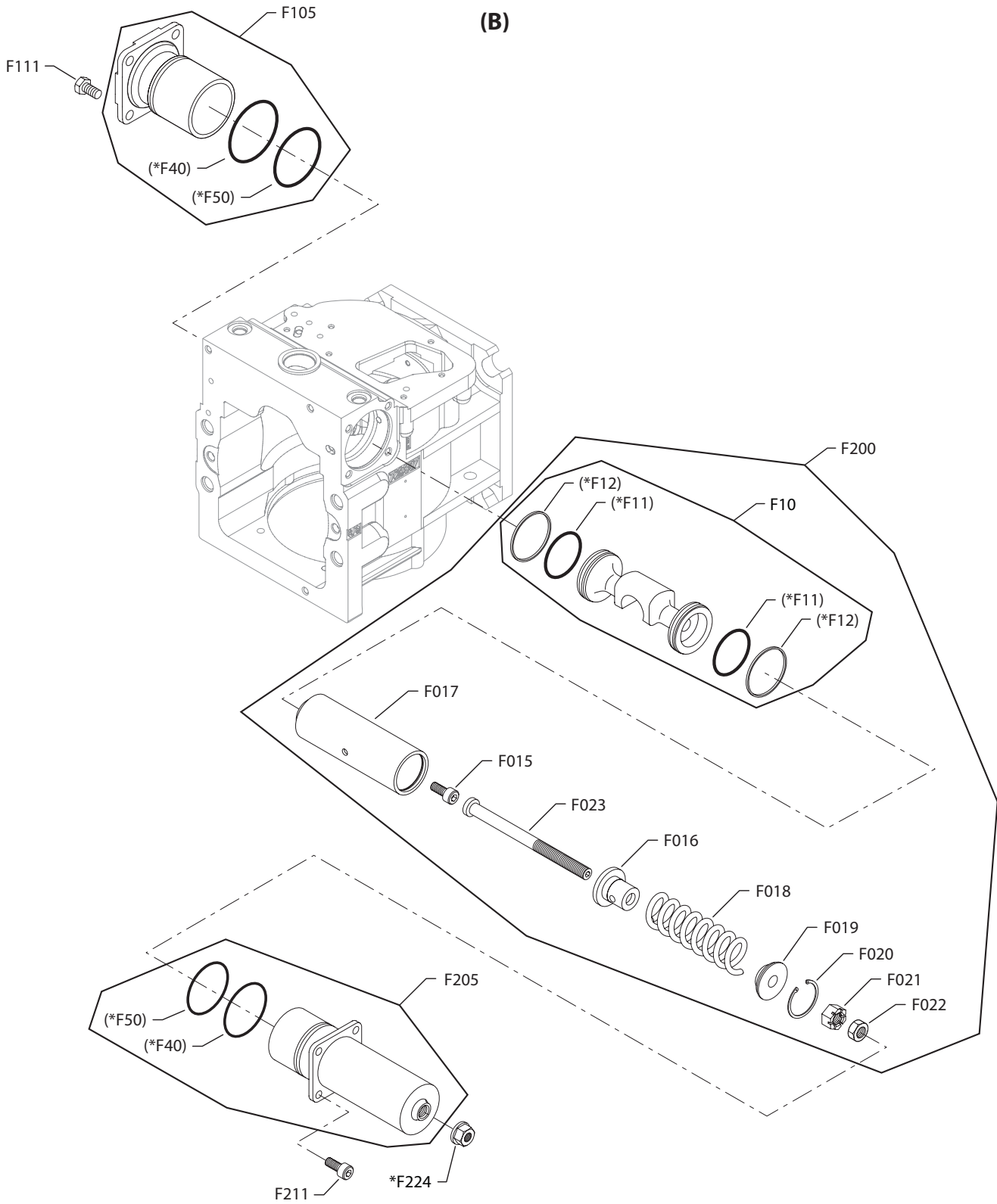
Displacement limitation 7

Order code: 7

Item	Date Begin	Date end	Part number	Part name	Qty. per model/kit
F10	98-14		11046631	Servo piston assembly	1
F015	98-14		346031	Screw	1
F016	98-14		507096	Spring guide	1
F017	98-14		345967	Spring housing	1
F018	98-14		351742	Spring	1
F019	98-14		507094	Spring guide	1
F020	98-14		505826	Retaining ring	1
F021	98-14		507045	Castle nut	1
F022	98-14		346015	Hex nut	1
F023	98-14		11140221	Adjust screw	1
F100	98-14		515836	Servo assembly	1
F105	98-14		11060161	Servo cylinder assembly, NFPE	1
F111	98-14		746651	Screw	4
F124	98-14		066159	Seal nut, M12	1
F205	98-14		11060158	Servo cylinder assembly, non-adjustable	1
F211	98-14		378083 (9007210-0804)	Screw	4

Displacement limitation B

Parts configuration



* = included in overhaul seal kit Q210

() = not available individually

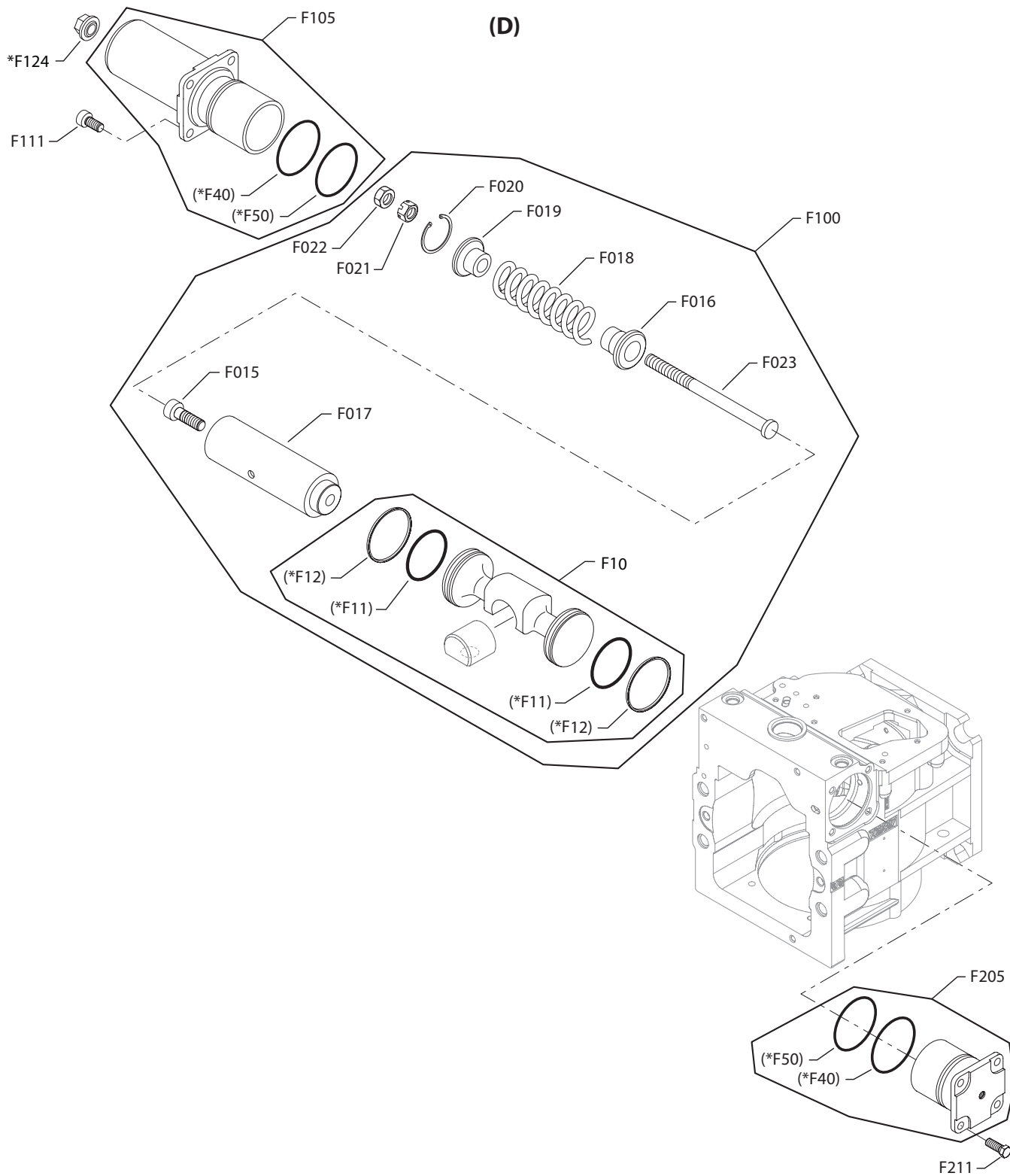
Displacement limitation B

Order code: B

Item	Date Begin	Date end	Part number	Part name	Qty. per model/kit
F10	98-14		11046631	Servo piston assembly	1
F015	98-14		346031	Screw	1
F016	98-14		507096	Spring guide	1
F017	98-14		345967	Spring housing	1
F018	98-14		351742	Spring	1
F019	98-14		507094	Spring guide	1
F020	98-14		505826	Retaining ring	1
F021	98-14		507045	Castle nut	1
F022	98-14		346015	Hex nut	1
F023	98-14		11140221	Adjust screw	1
F105	98-14		11060158	Servo cylinder assembly, non-adjustable	1
F111	98-14		378083 (9007210-0804)	Screw	4
F200	98-14		515836	Servo assembly	1
F205	98-14		11060161	Servo cylinder assembly, NFPE	1
F211	98-14		746651	Screw	4
F224	98-14		066159	Seal nut, M12	1

Displacement limitation D

Parts configuration



* = included in overhaul seal kit Q210

() = not available individually

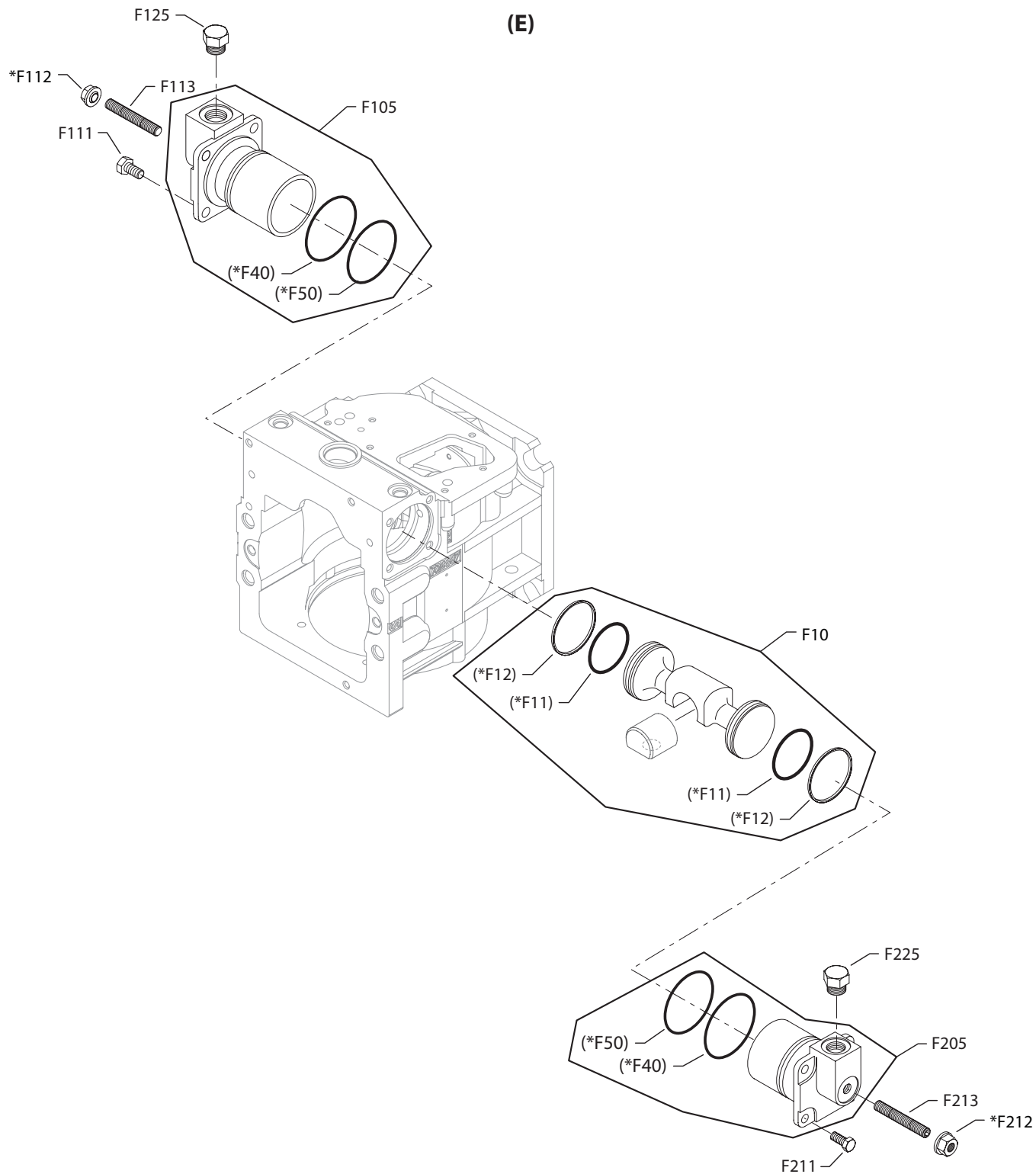
Displacement limitation D

Order code: D

Item	Date Begin	Date end	Part number	Part name	Qty. per model/kit
F10	98-18		11046631	Servo piston assembly	1
F015	98-18		346031	Screw	1
F016	98-18		507096	Spring guide	1
F017	98-18		345967	Spring housing	1
F018	98-18		351742	Spring	1
F019	98-18		507094	Spring guide	1
F020	98-18		505826	Retaining ring	1
F021	98-18		507045	Castle nut	1
F022	98-18		346015	Hex nut	1
F023	98-18		11140221	Adjust screw	1
F100	98-18		515836	Servo assembly	1
F105	98-18		11060161	Servo cylinder assembly, NFPE	1
F111	98-18		746651	Screw	4
F124	98-18		066159	Seal nut, M12	1
F205	89-41		11060160	Servo cylinder assembly, adjustable	1
F211	89-41		378083 (9007210-0804)	Screw	4
F212	98-18		042432	Seal nut, M10	1
F213	98-18		11085626	Set screw M10 x 50	1

Displacement limitation E

Parts configuration



* = included in overhaul seal kit Q210

() = not available individually

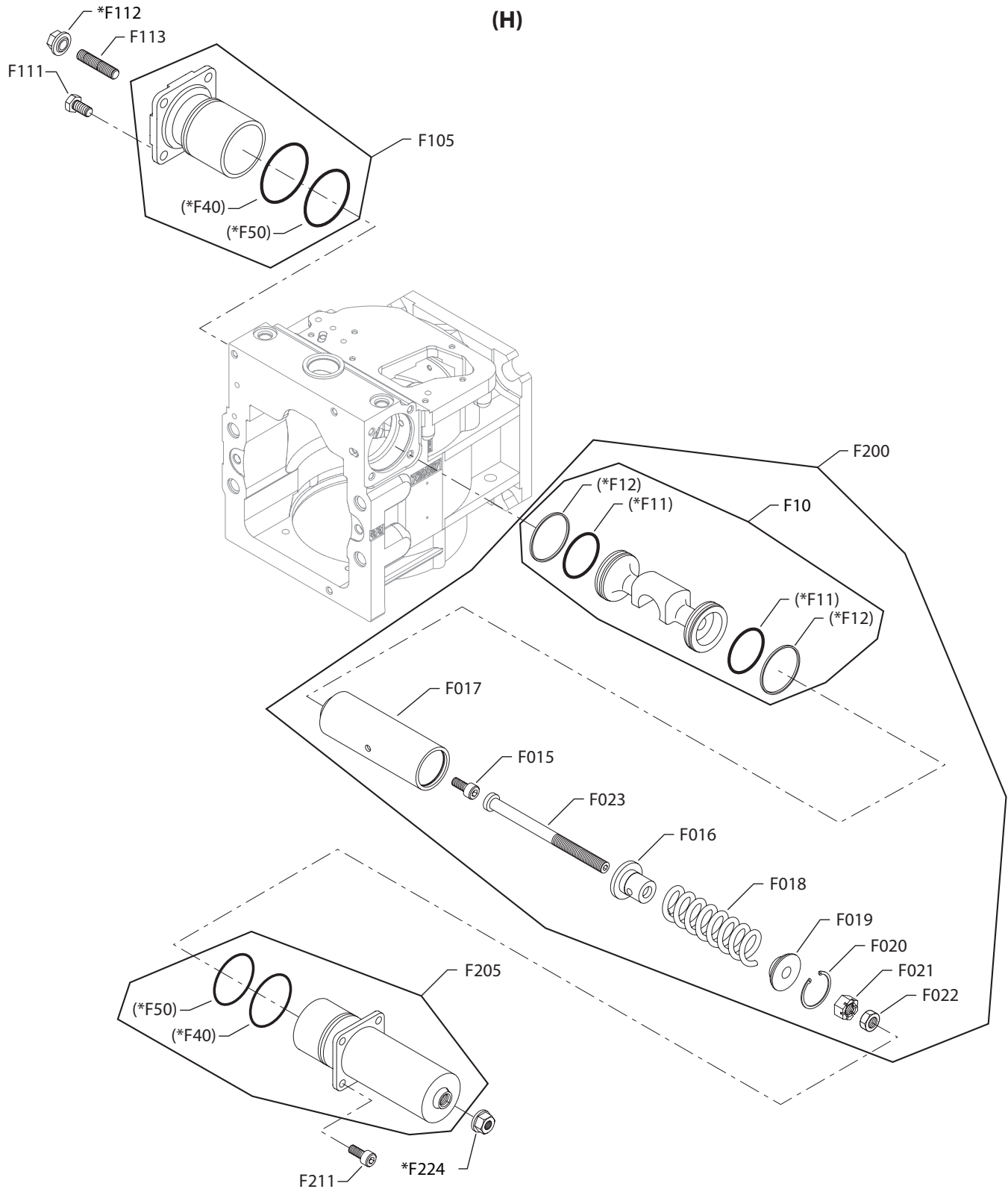
Displacement limitation E

Order code: E

Item	Date Begin	Date end	Part number	Part name	Qty. per model/kit
F10	91-30		11046664	Servo piston assembly	1
F105	91-30		11060182	Servo cylinder assembly, adjustable with gauge port	1
F111	91-30		676189	Screw	4
F112	91-30		076042 (9003509-0012)	Seal nut, M12	1
F113	91-30		350090	Set screw, M12 x 70	1
F125	91-30		731943	Plug assembly	1
F205	91-30		11060182	Servo cylinder assembly, adjustable with gauge port	1
F211	91-30		676189	Screw	4
F212	91-30		076042 (9003509-0012)	Seal nut, M12	1
F213	91-30		350090	Set screw M12 x 70	1
F225	91-30		731943	Plug assembly	1

Displacement limitation H

Parts configuration



* = included in overhaul seal kit Q210

() = not available individually

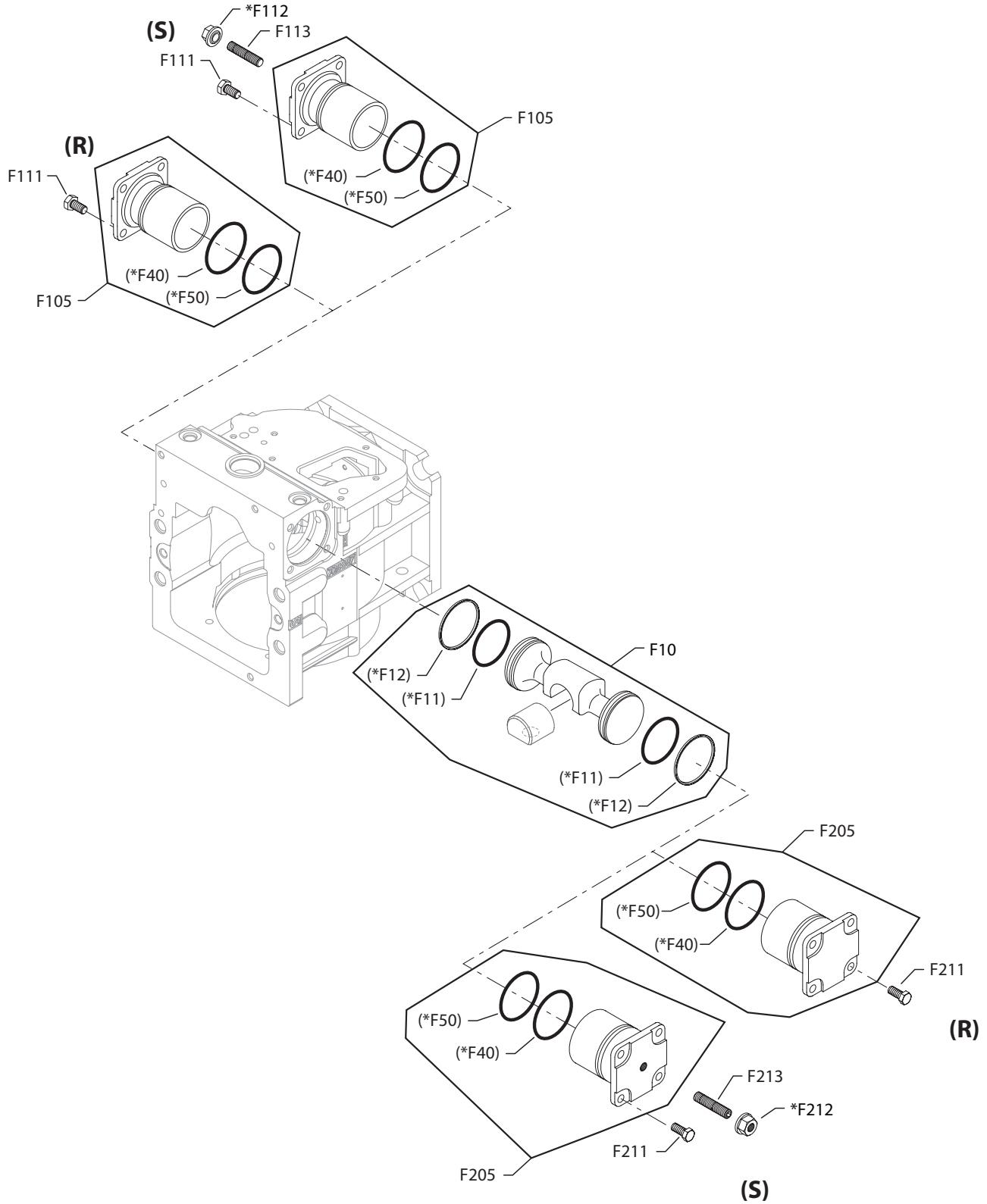
Displacement limitation H

Order code: H

Item	Date Begin	Date end	Part number	Part name	Qty. per model/kit
F10	98-18		11046631	Servo piston assembly	1
F013	98-18		11085626	Set screw, M10 x 50	1
F015	98-18		346031	Screw	1
F016	98-18		507096	Spring guide	1
F017	98-18		345967	Spring housing	1
F018	98-18		351742	Spring	1
F019	98-18		507094	Spring guide	1
F020	98-18		505826	Retaining ring	1
F021	98-18		507045	Castle nut	1
F022	98-18		346015	Hex nut	1
F023	98-18		11140221	Adjust screw	1
F105	98-18		11060160	Servo cylinder assembly	1
F111	98-18		378083 (9007210-0804)	Screw	4
F112	98-18		042432	Seal nut, M10	1
F113	98-18		11085626	Set screw, M10 x 50	1
F200	98-18		515836	Servo assembly	1
F205	98-18		11060161	Servo cylinder assembly, NFPE	1
F211	98-18		746651	Screw	4
F224	98-18		066159	Seal nut, M12	1

Displacement limitation R-S

Parts configuration



* = included in overhaul seal kit Q210

() = not available individually

Displacement limitation R-S

Order code: R

Item	Date Begin	Date end	Part number	Part name	Qty. per model/kit
F10	91-30		11046630	Servo piston assembly	1
F105	91-30		11060159	Servo cylinder assembly non-adjustable, 110cc	1
F111	91-30		378083 (9007210-0804)	Screw	4
F205	91-30		11060159	Servo cylinder assembly, non-adjustable, 110cc	1
F211	91-30		378083 (9007210-0804)	Screw	4

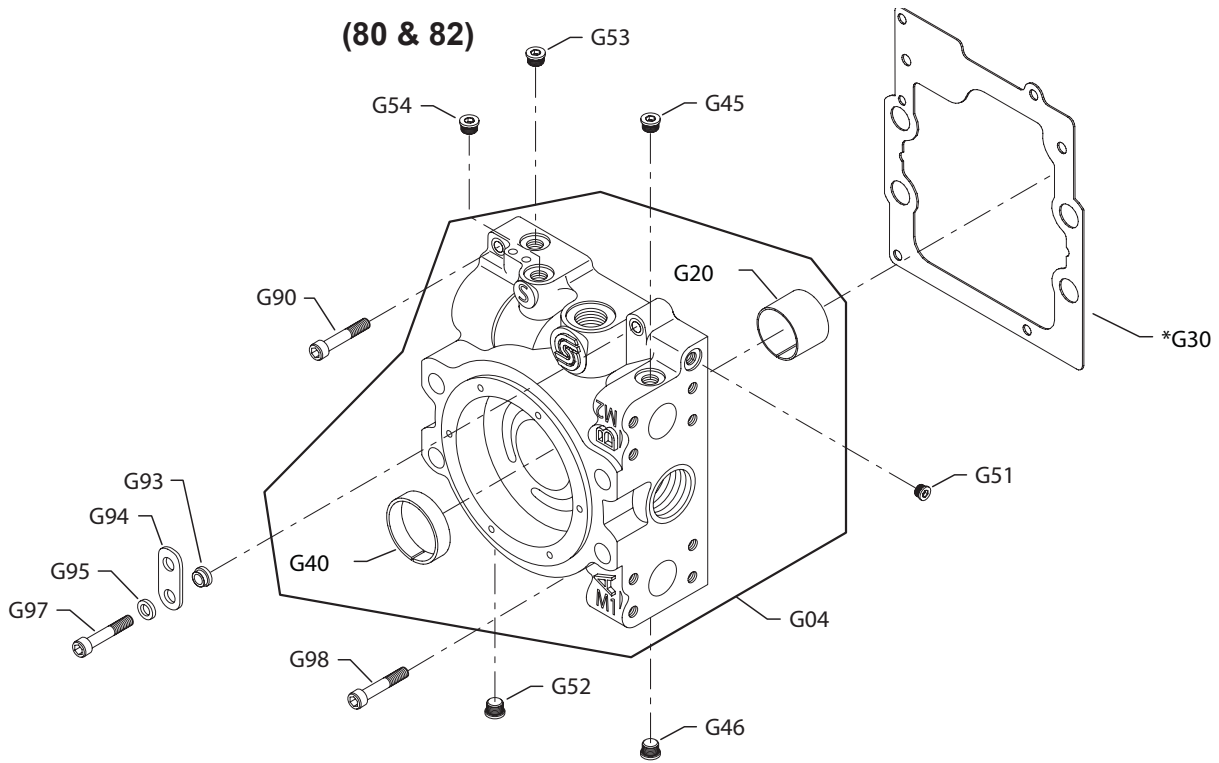
Order code: H

F10	05-37		11046630	Servo piston assembly	1
F105	05-37		11060160	Servo cylinder assembly, adjustable	1
F111	05-37		378083 (9007210-0804)	Screw	4
F112	05-37		042432	Seal nut, M10	1
F113	05-37		11002555	Set screw M10 x 30	1
F205	05-37		11060160	Servo cylinder assembly, adjustable	1
F211	05-37		378083 (9007210-0804)	Screw	4
F212	05-37		042432	Seal nut, M10	1
F213	05-37		11002555	Set screw M10 x 30	1

End cap

End cap 80-82

Parts configuration



* = included in overhaul seal kit Q210

End cap 80-82

Order code: 80

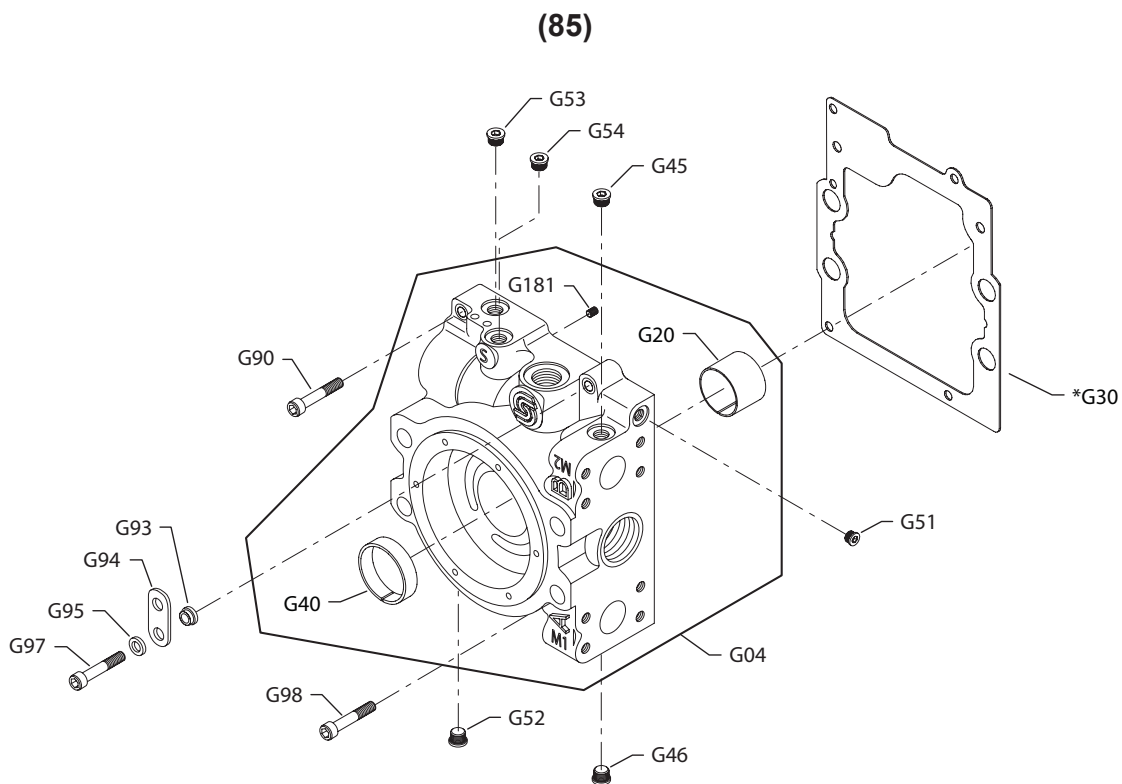
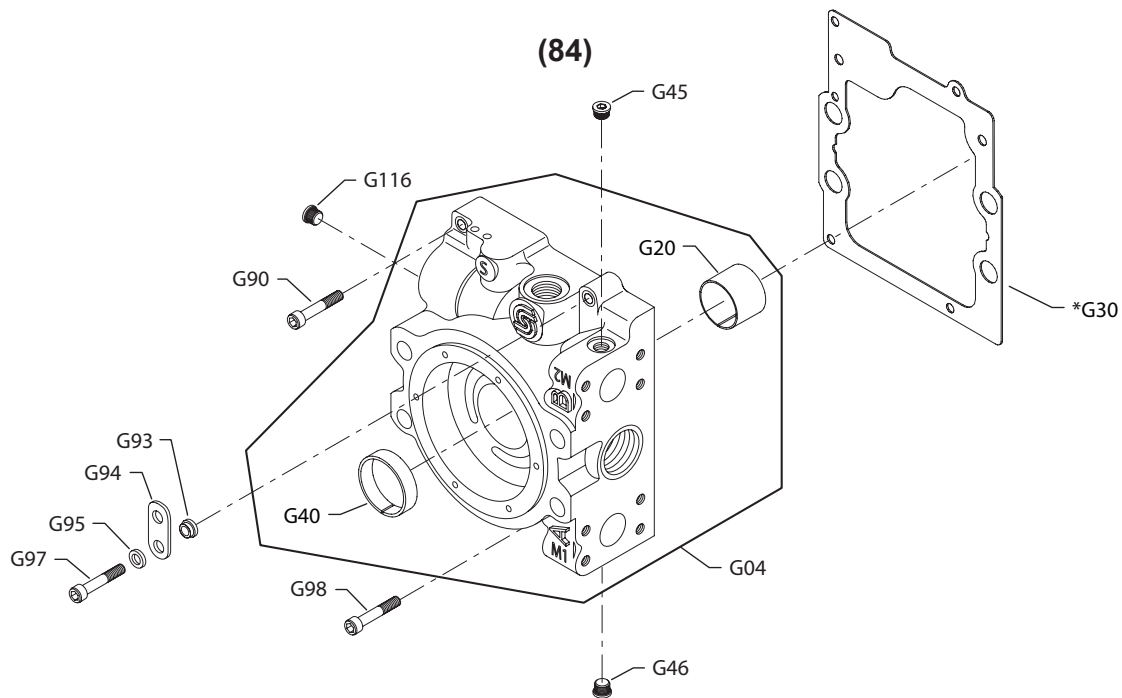
Item	Date begin	Date end	Part number	Part name	Qty. per model/kit
G04	01-48		516600	End cap assembly, twin ports	1
G20	89-41		303693	Journal bearing	1
G30	89-41		730895	End cap gasket (<i>SB-1992-003A</i> on page 225)	1
G40	89-41		303651	Bushing	1
G45	89-41		140644	Plug assembly	1
G46	89-41		140644	Plug assembly	1
G51	89-41		9005110-4400	Plug assembly	1
G52	89-41		140644	Plug assembly	1
G53	89-41		140644	Plug assembly	1
G54	89-41		140644	Plug assembly	1
G90	01-48		713768 (9007314-0812)	Screw, M8 x 55	1
G90	89-41	01-47	746644 (9007314-0810)	Screw, M8 x 45	1
G93	89-41		713800 (8800564)	Spacer	1
G94	89-41		8800565	Lifting bracket	1
G95	89-41		502195	Washer	1
G97	01-48		713768 (9007314-0812)	Screw, M8 x 55	1
G97	89-41	01-47	748954 (9007314-0811)	Screw, M8 x 50	1
G98	01-48		713768 (9007314-0812)	Screw, M8 x 55	1
G98	89-41	01-47	746644 (9007314-0810)	Screw, M8 x 45	1

Order code: 82

G04	08-44		11054538	End cap assembly, twin metric ports	1
G20	08-44		303693	Journal bearing	1
G30	08-44		730895	End cap gasket (<i>SB-1992-003A</i> on page 225)	1
G40	08-44		303651	Bushing	1
G45	08-44		140644	Plug assembly	1
G46	08-44		140644	Plug assembly	1
G51	08-44		9005110-4400	Plug assembly	1
G52	08-44		140644	Plug assembly	1
G53	08-44		140644	Plug assembly	1
G54	08-44		140644	Plug assembly	1
G90	08-44		713768 (9007314-0812)	Screw, M8 x 55	1
G93	08-44		713800 (8800564)	Spacer	1
G94	08-44		8800565	Lifting bracket	1
G95	08-44		502195	Washer	1
G97	08-44		713768 (9007314-0812)	Screw, M8 x 55	1
G98	08-44		713768 (9007314-0812)	Screw, M8 x 55	1

End cap 84-85

Parts configuration



* = included in overhaul seal kit Q210

End cap 84-85*Order code: 84*

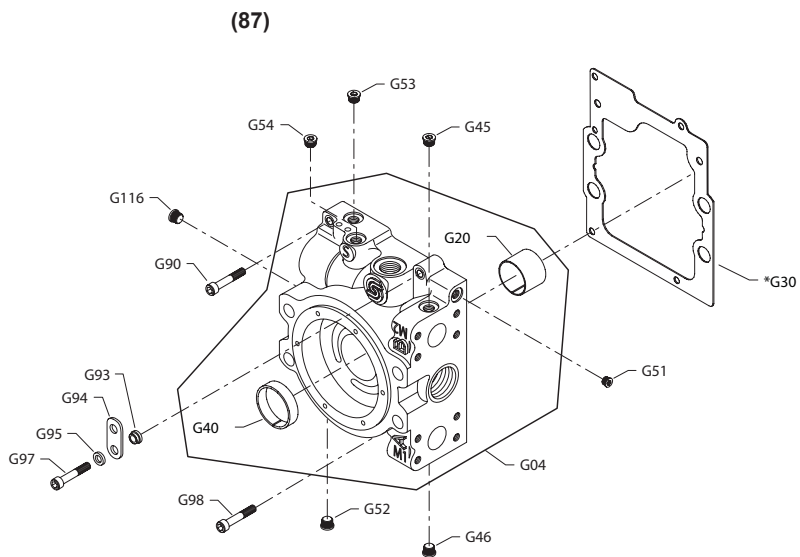
Item	Date begin	Date end	Part number	Part name	Qty. per model/kit
G04	02-03		516603	End cap assembly, twin ports	1
G20	94-48		303693	Journal bearing	1
G30	94-48		730895	End cap gasket	1
G40	94-48		303651	Bushing	1
G45	94-48		140644	Plug assembly	1
G46	94-48		140644	Plug assembly	1
G90	02-03		713768 (9007314-0812)	Screw, M8 x 55	1
G90	89-41	02-03	746644 (9007314-0810)	Screw, M8 x 45	1
G93	94-48		713800 (8800564)	Spacer	1
G94	94-48		8800565	Lifting bracket	1
G95	94-48		502195	Washer	1
G97	02-03		713768 (9007314-0812)	Screw, M8 x 55	1
G97	89-41	02-03	748954 (9007314-0811)	Screw, M8 x 50	1
G98	02-03		713768 (9007314-0812)	Screw, M8 x 55	1
G98	89-41	02-03	746644 (9007314-0810)	Screw, M8 x 45	1
G116	94-48		140644	Plug assembly	1

Order code: 85

G04	01-38		517973	End cap assembly, twin ports	1
G20	01-38		303693	Journal bearing	1
G30	01-38		730895	End cap gasket	1
G40	01-38		303651	Bushing	1
G45	01-38		140644	Plug assembly	1
G46	01-38		140644	Plug assembly	1
G51	01-38		9005110-4400	Plug assembly	1
G52	01-38		140644	Plug assembly	1
G53	01-38		140644	Plug assembly	1
G54	01-38		140644	Plug assembly	1
G90	01-38		713768 (9007314-0812)	Screw, M8 x 55	1
G93	01-38		713800 (8800564)	Spacer	1
G94	01-38		8800565	Lifting bracket	1
G95	01-38		502195	Washer	1
G97	01-38		713768 (9007314-0812)	Screw, M8 x 55	1
G98	01-38		713768 (9007314-0812)	Screw, M8 x 55	1
G181	01-38		759423	Orifice plug, 2.5mm	1

End cap 86-87

Parts configuration



* = included in overhaul seal kit Q210

End cap 86-87

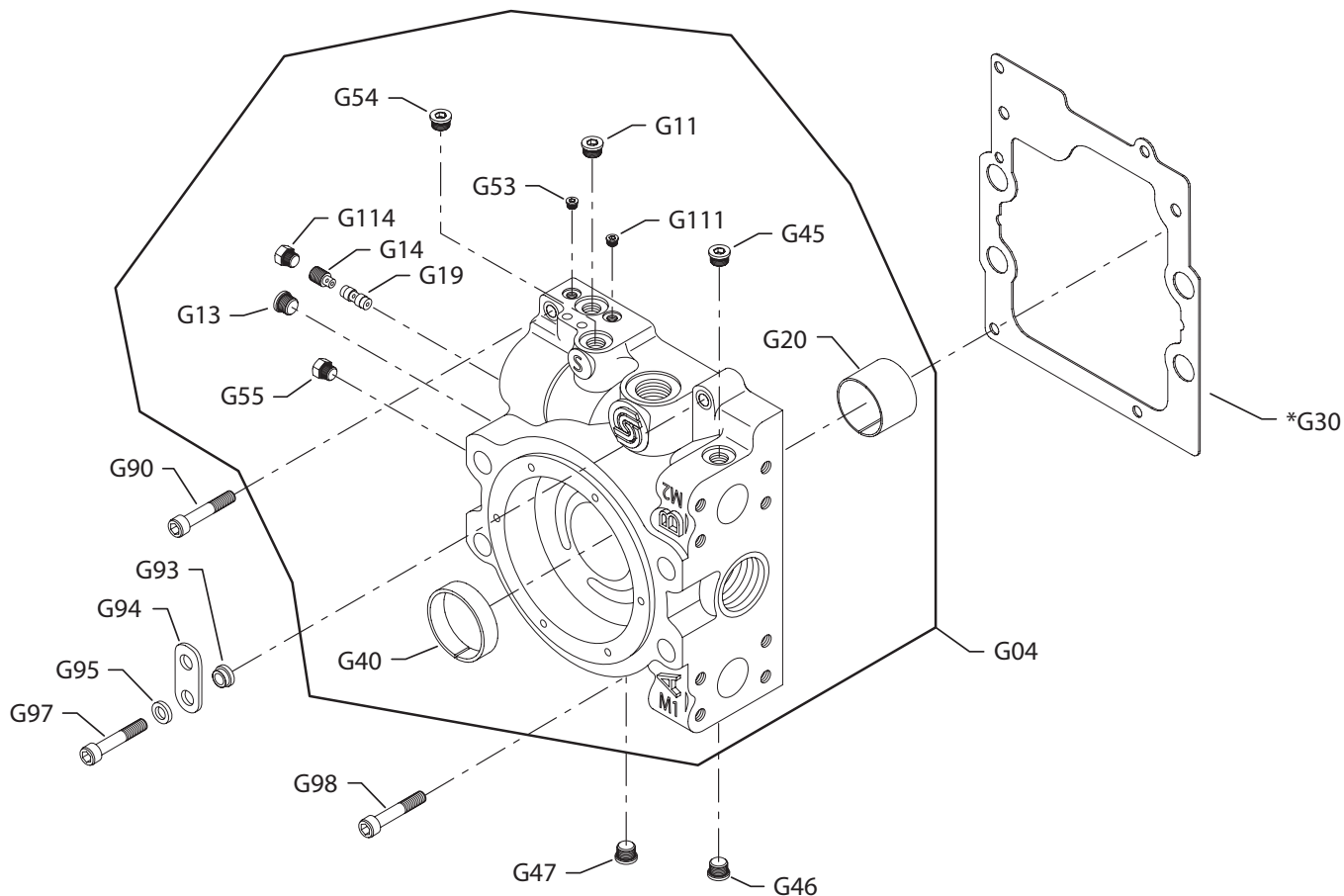
Order code: 87

Item	Date begin	Date end	Part number	Part name	Qty. per model/kit
G04	01-47		516604	End cap assembly, twin ports	1
G20	92-51		303693	Journal bearing	1
G30	92-51		730895	End cap gasket	1
G40	92-51		303651	Bushing	1
G45	92-51		140644	Plug assembly	1
G46	92-51		140644	Plug assembly	1
G51	92-51		327007 (9005110-4400)	Plug assembly	1
G52	92-51		140644	Plug assembly	1
G53	92-51		140644	Plug assembly	1
G54	92-51		140644	Plug assembly	1
G90	01-47		713768 (9007314-0812)	Screw, M8 x 55	1
G90	92-51	01-46	746644 (9007314-0810)	Screw, M8 x 45	1
G93	92-51		713800 (8800564)	Spacer	1
G94	92-51		8800565	Lifting bracket	1
G95	92-51		502195	Washer	1
G97	01-47		713768 (9007314-0812)	Screw, M8 x 55	1
G97	92-51	01-46	748954 (9007314-0811)	Screw, M8 x 50	1
G98	01-47		713768 (9007314-0812)	Screw, M8 x 55	1
G98	92-51	01-46	746644 (9007314-0810)	Screw, M8 x 45	1
G116	92-51		140644	Plug assembly	1

End cap 8C

Parts configuration

(8C)



* = included in overhaul seal kit Q210

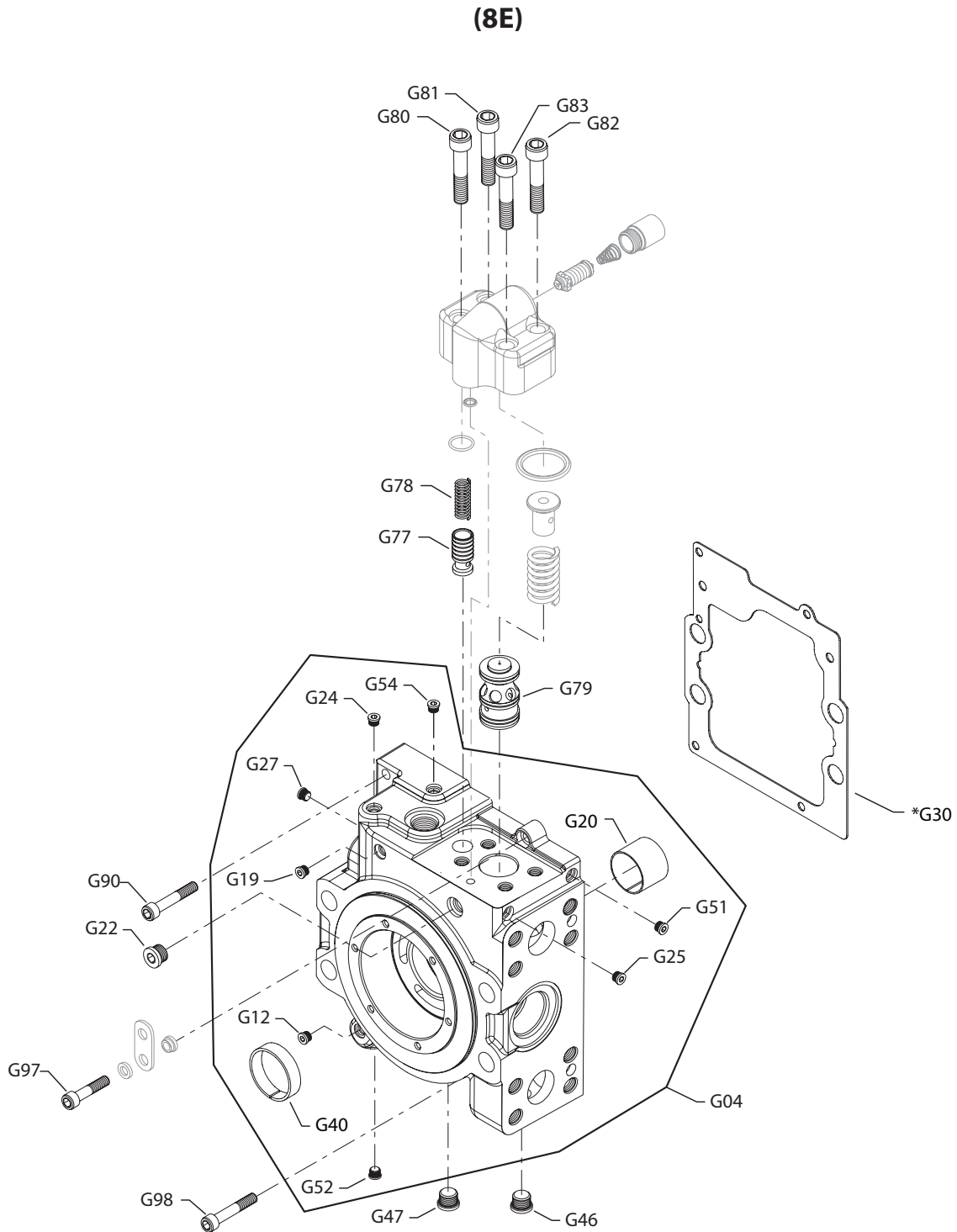
End cap 8C

Order code: 8C

Item	Date begin	Date end	Part number	Part name	Qty. per model/kit
G04	01-50		516601	End cap assembly, twin ports	1
G11	91-26		140644	Plug assembly	1
G13	91-26		9005110-4400	Plug assembly	1
G14	91-26		765750	Orifice plug	1
G19	91-26		759415	Spool	1
G20	91-26		303693	Journal bearing	1
G30	91-26		730895	End cap gasket	1
G40	91-26		303651	Bushing	1
G45	91-26		140644	Plug assembly	1
G46	91-26		140644	Plug assembly	1
G47	91-26		140644	Plug assembly	1
G53	91-26		11040532	Plug assembly	1
G54	91-26		140644	Plug assembly	1
G55	91-26		9005100-3700	Plug assembly	
G90	01-50		713768 (9007314-0812)	Screw, M8 x 55	1
G90	91-26	01-49	746644 (9007314-0810)	Screw, M8 x 45	1
G93	91-26		713800 (8800564)	Spacer	1
G94	91-26		8800565	Lifting bracket	1
G95	91-26		502195	Washer	1
G97	01-50		713768 (9007314-0812)	Screw, M8 x 55	1
G97	91-26	01-49	748954 (9007314-0811)	Screw, M8 x 50	1
G98	01-50		713768 (9007314-0812)	Screw, M8 x 55	1
G98	91-26	01-49	746644 (9007314-0810)	Screw, M8 x 45	1
G111	91-26		11040532	Plug assembly	1
G114	91-26		9005100-3700	Plug assembly	1

End cap 8E

Parts configuration



* = included in overhaul seal kit Q210

End cap 8E

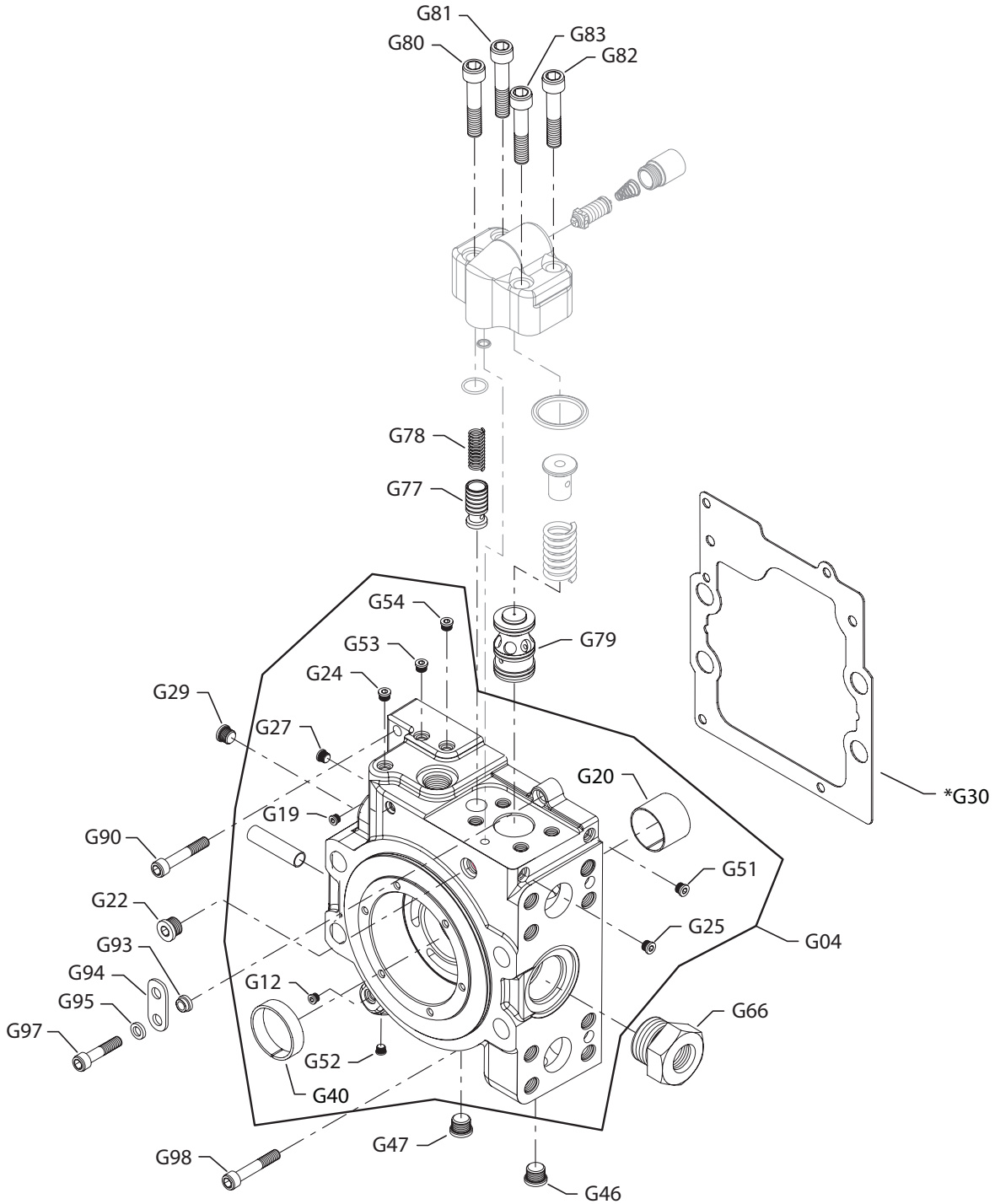
Order code: 8E

Item	Date begin	Date end	Part number	Part name	Qty. per model/kit
G04	02-15		11093592	End cap assembly	1
G12	02-15		11040532	Plug assembly	1
G19	02-15		11040532	Plug assembly	1
G20	02-15		303693	Journal bearing	1
G22	02-15		140644	Plug assembly	1
G24	02-15		11040532	Plug assembly	1
G25	02-15		11040532	Plug assembly	1
G27	02-15		11040532	Plug assembly	1
G30	02-15		730895	End cap gasket	1
G40	02-15		664771	Bushing	1
G46	02-15		140644	Plug assembly	1
G47	02-15		140644	Plug assembly	1
G51	02-15		11040532	Plug assembly	1
G52	02-15		11040532	Plug assembly	1
G54	02-15		11040532	Plug assembly	1
G77	02-15		517830	Piston	1
G78	02-15		517832	Spring	1
G79	02-15		517827	Piston	1
G80	02-15		504681	Screw, M12 x 55	1
G81	02-15		504681	Screw, M12 x 55	1
G82	02-15		504681	Screw, M12 x 55	1
G83	02-15		504681	Screw, M12 x 55	1
G90	02-15		713768 (9007314-0812)	Screw, M8 x 55	1
G93	02-15		713800 (8800564)	Spacer	1
G94	02-15		8800565	Lifting bracket	1
G95	02-15		502195	Washer	1
G97	02-15		506969	Screw, M8 x 55	1
G98	02-15		713768 (9007314-0812)	Screw, M8 x 55	1

End cap 8F

Parts configuration

(8F)



* = included in overhaul seal kit Q210

End cap 8F

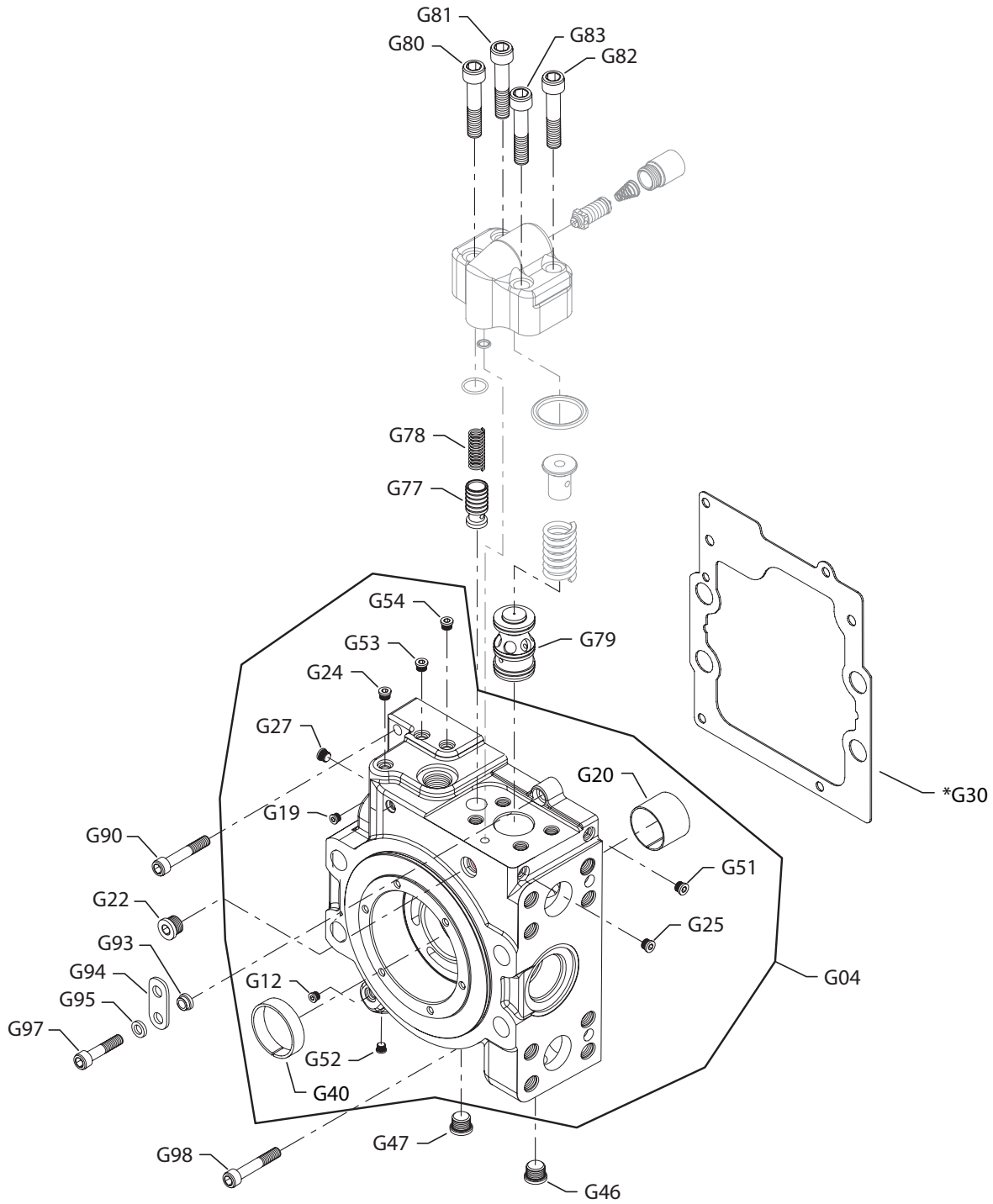
Order code: 8E

Item	Date begin	Date end	Part number	Part name	Qty. per model/kit
G04	02-15		11093576	End cap assembly	1
G12	02-15		11040532	Plug assembly	1
G19	02-15		11040532	Plug assembly	1
G20	02-15		303693	Journal bearing	1
G22	02-15		140644	Plug assembly	1
G24	02-15		11040532	Plug assembly	1
G25	02-15		11040532	Plug assembly	1
G27	02-15		11040532	Plug assembly	1
G29	02-15		140644	Plug assembly	1
G30	02-15		730895	End cap gasket	1
G40	02-15		664771	Bushing	1
G46	02-15		140644	Plug assembly	1
G47	02-15		140644	Plug assembly	1
G51	02-15		11040532	Plug assembly	1
G52	02-15		11040532	Plug assembly	1
G53	02-15		11040532	Plug assembly	1
G54	02-15		11040532	Plug assembly	1
G66	02-15		521318	Adapter plug assembly	1
G77	02-15		517830	Piston	1
G78	02-15		517832	Spring	1
G79	02-15		517827	Piston	1
G80	02-15		504681	Screw, M12 x 55	1
G81	02-15		504681	Screw, M12 x 55	1
G82	02-15		504681	Screw, M12 x 55	1
G83	02-15		504681	Screw, M12 x 55	1
G90	02-15		713768 (9007314-0812)	Screw, M8 x 55	1
G93	02-15		713800 (8800564)	Spacer	1
G94	02-15		8800565	Lifting bracket	1
G95	02-15		502195	Washer	1
G97	02-15		506969	Screw, M8 x 55	1
G98	02-15		713768 (9007314-0812)	Screw, M8 x 55	1

End cap 8J

Parts configuration

(8J)



* = included in overhaul seal kit Q210

End Cap 8J

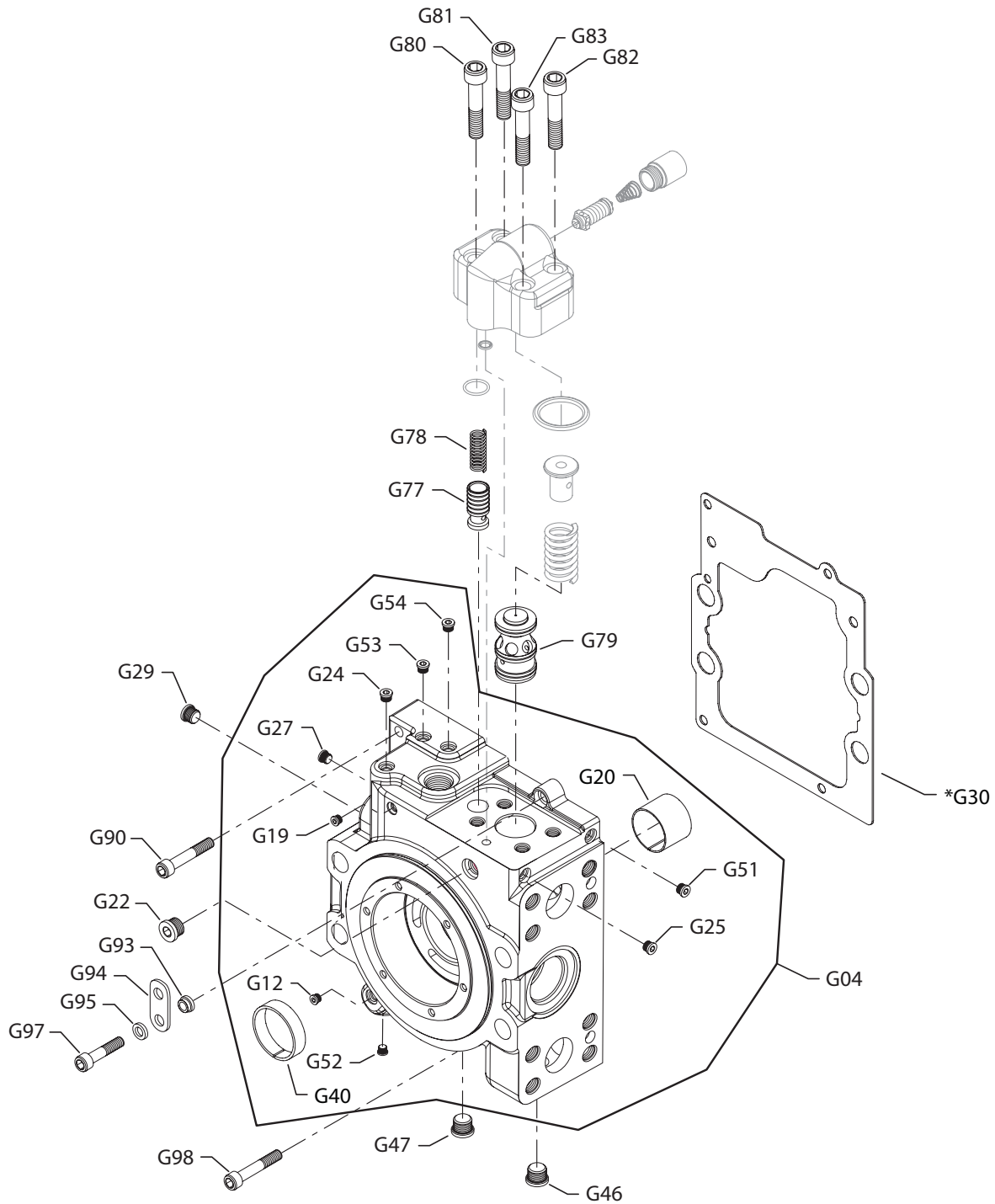
Order code: 8J

Item	Date begin	Date end	Part number	Part name	Qty. per model/kit
G04	06-28		11093596	End cap assembly	1
G12	06-28		11040532	Plug assembly	1
G19	06-28		11040532	Plug assembly	1
G20	06-28		303693	Journal bearing	1
G22	06-28		140644	Plug assembly	1
G24	06-28		11040532	Plug assembly	1
G25	06-28		11040532	Plug assembly	1
G27	06-28		11040532	Plug assembly	1
G30	06-28		730895	End cap gasket	1
G40	06-28		664771	Bushing	1
G46	06-28		140644	Plug assembly	1
G47	06-28		140644	Plug assembly	1
G51	06-28		11040532	Plug assembly	1
G52	06-28		11040532	Plug assembly	1
G53	06-28		11040532	Plug assembly	1
G54	06-28		11040532	Plug assembly	1
G77	06-28		517830	Piston	1
G78	06-28		517832	Spring	1
G79	06-28		517827	Piston	1
G80	06-28		504681	Screw, M12 x 55	1
G81	06-28		504681	Screw, M12 x 55	1
G82	06-28		504681	Screw, M12 x 55	1
G83	06-28		504681	Screw, M12 x 55	1
G90	06-28		713768 (9007314-0812)	Screw, M8 x 55	1
G93	06-28		713800 (8800564)	Spacer	1
G94	06-28		8800565	Lifting bracket	1
G95	06-28		502195	Washer	1
G97	06-28		506969	Screw, M8 x 55	1
G98	06-28		713768 (9007314-0812)	Screw, M8 x 55	1

End cap 8K

Parts configuration

(8K)



* = included in overhaul seal kit Q210

End cap 8K

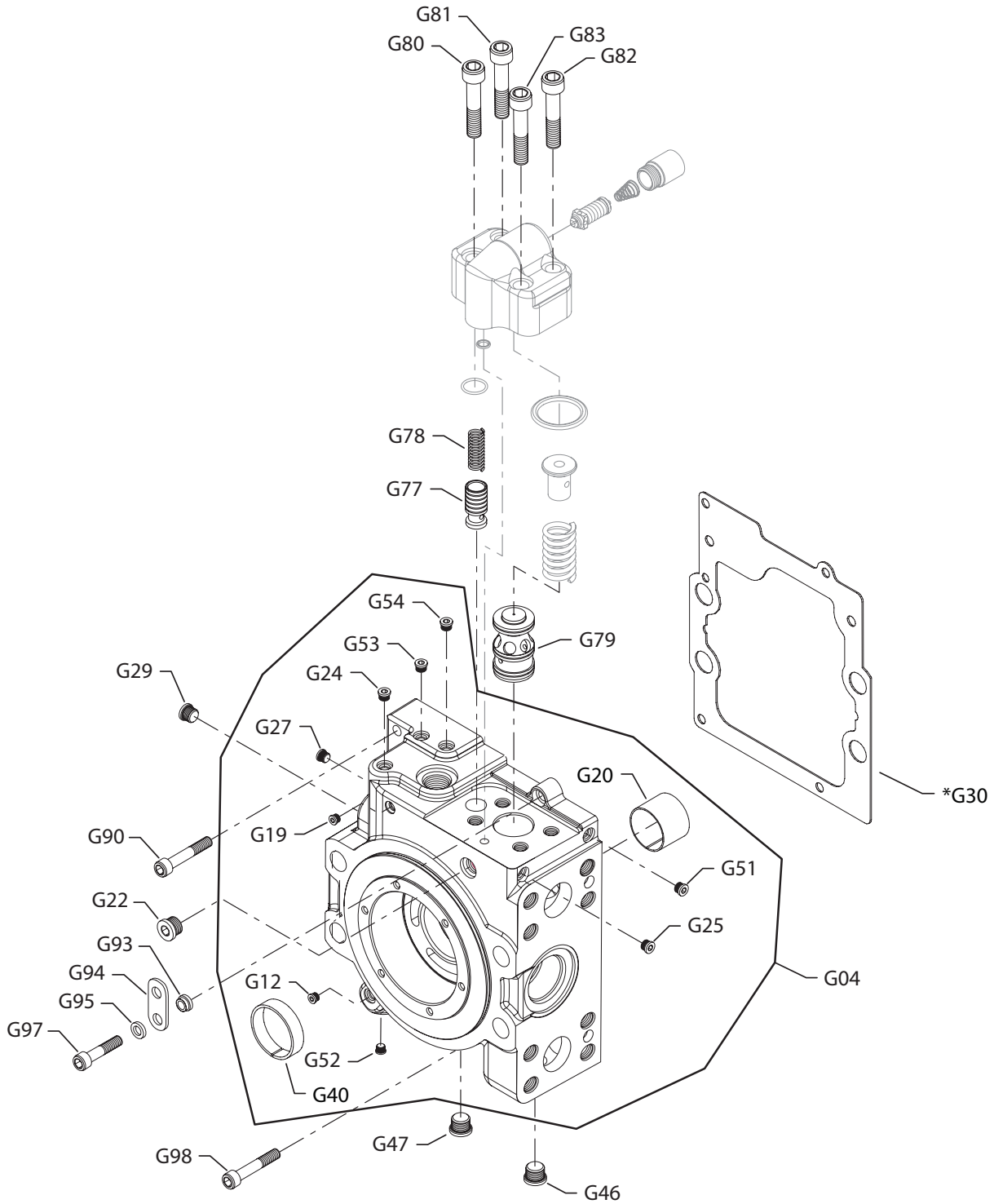
Order code: 8K

Item	Date begin	Date end	Part number	Part name	Qty. per model/kit
G04	07-45		11093575	End cap assembly	1
G12	07-45		11040532	Plug assembly	1
G19	07-45		11040532	Plug assembly	1
G20	07-45		303693	Journal bearing	1
G22	07-45		140644	Plug assembly	1
G24	07-45		11040532	Plug assembly	1
G25	07-45		11040532	Plug assembly	1
G27	07-45		11040532	Plug assembly	1
G29	07-45		140644	Plug assembly	1
G30	07-45		730895	End cap gasket	1
G40	07-45		664771	Bushing	1
G46	07-45		140644	Plug assembly	1
G47	07-45		140644	Plug assembly	1
G51	07-45		11040532	Plug assembly	1
G52	07-45		11040532	Plug assembly	1
G53	07-45		11040532	Plug assembly	1
G54	07-45		11040532	Plug assembly	1
G77	07-45		517830	Piston	1
G78	07-45		517832	Spring	1
G79	07-45		517827	Piston	1
G80	07-45		504681	Screw, M12 x 55	1
G81	07-45		504681	Screw, M12 x 55	1
G82	07-45		504681	Screw, M12 x 55	1
G83	07-45		504681	Screw, M12 x 55	1
G90	07-45		713768 (9007314-0812)	Screw, M8 x 55	1
G93	07-45		713800 (8800564)	Spacer	1
G94	07-45		8800565	Lifting bracket	1
G95	07-45		502195	Washer	1
G97	07-45		506969	Screw, M8 x 25	1
G98	07-45		713768 (9007314-0812)	Screw, M8 x 55	1

End cap 8N

Parts configuration

(8N)



* = included in overhaul seal kit Q210

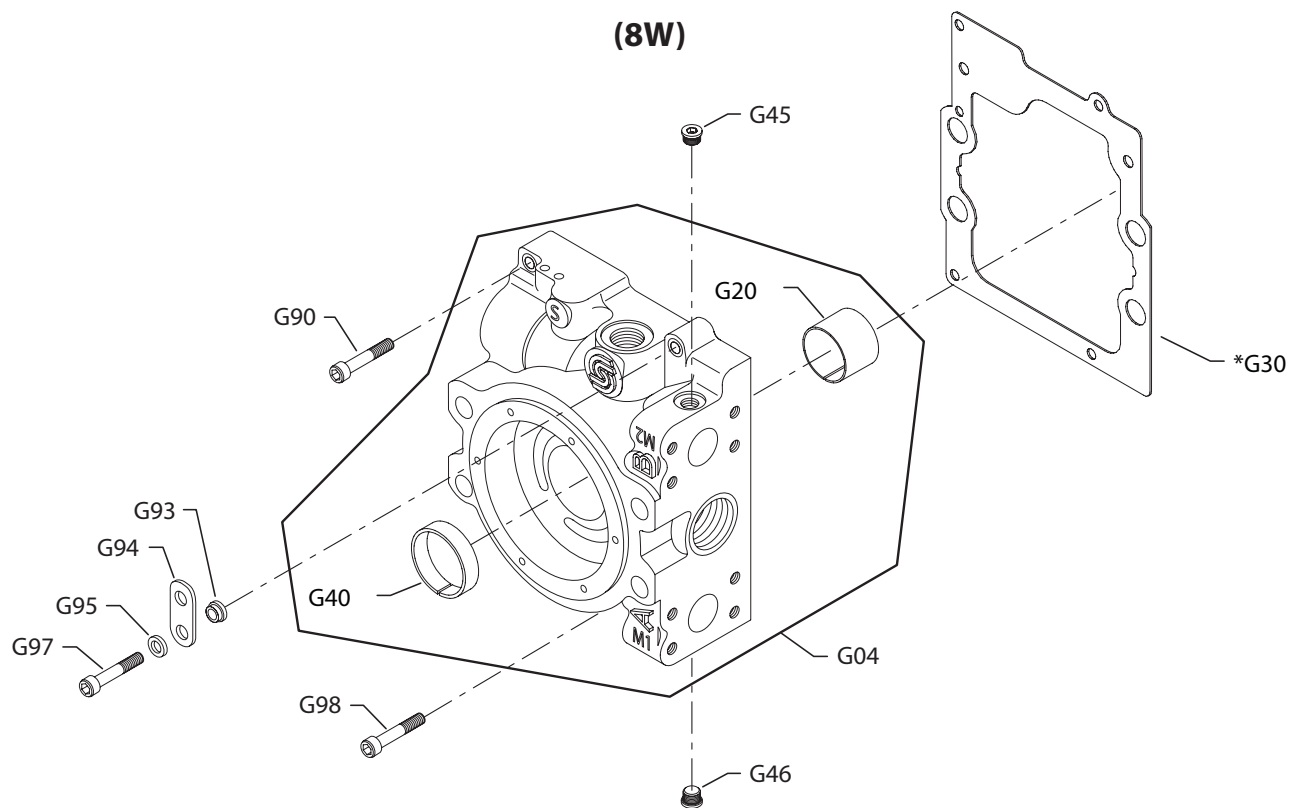
End cap 8N

Order code: 8N

Item	Date begin	Date end	Part number	Part name	Qty. per model/kit
G04	07-45		11093806	End cap assembly	1
G12	07-45		11040532	Plug assembly	1
G19	07-45		11040532	Plug assembly	1
G20	07-45		303693	Journal bearing	1
G22	07-45		140644	Plug assembly	1
G24	07-45		11040532	Plug assembly	1
G25	07-45		11040532	Plug assembly	1
G27	07-45		11040532	Plug assembly	1
G29	07-45		140644	Plug assembly	1
G30	07-45		730895	End cap gasket	1
G40	07-45		664771	Bushing	1
G46	07-45		140644	Plug assembly	1
G47	07-45		140644	Plug assembly	1
G51	07-45		11040532	Plug assembly	1
G52	07-45		11040532	Plug assembly	1
G53	07-45		11040532	Plug assembly	1
G54	07-45		11040532	Plug assembly	1
G77	07-45		517830	Piston	1
G78	07-45		517832	Spring	1
G79	07-45		517827	Piston	1
G80	07-45		504681	Screw, M12 x 55	1
G81	07-45		504681	Screw, M12 x 55	1
G82	07-45		504681	Screw, M12 x 55	1
G83	07-45		504681	Screw, M12 x 55	1
G90	07-45		713768 (9007314-0812)	Screw, M8 x 55	1
G93	07-45		713800 (8800564)	Spacer	1
G94	07-45		8800565	Lifting bracket	1
G95	07-45		502195	Washer	1
G97	07-45		506969	Screw, M8 x 25	1
G98	07-45		713768 (9007314-0812)	Screw, M8 x 55	1

End cap 8W

Parts configuration



* = included in overhaul seal kit Q210

End cap 8W

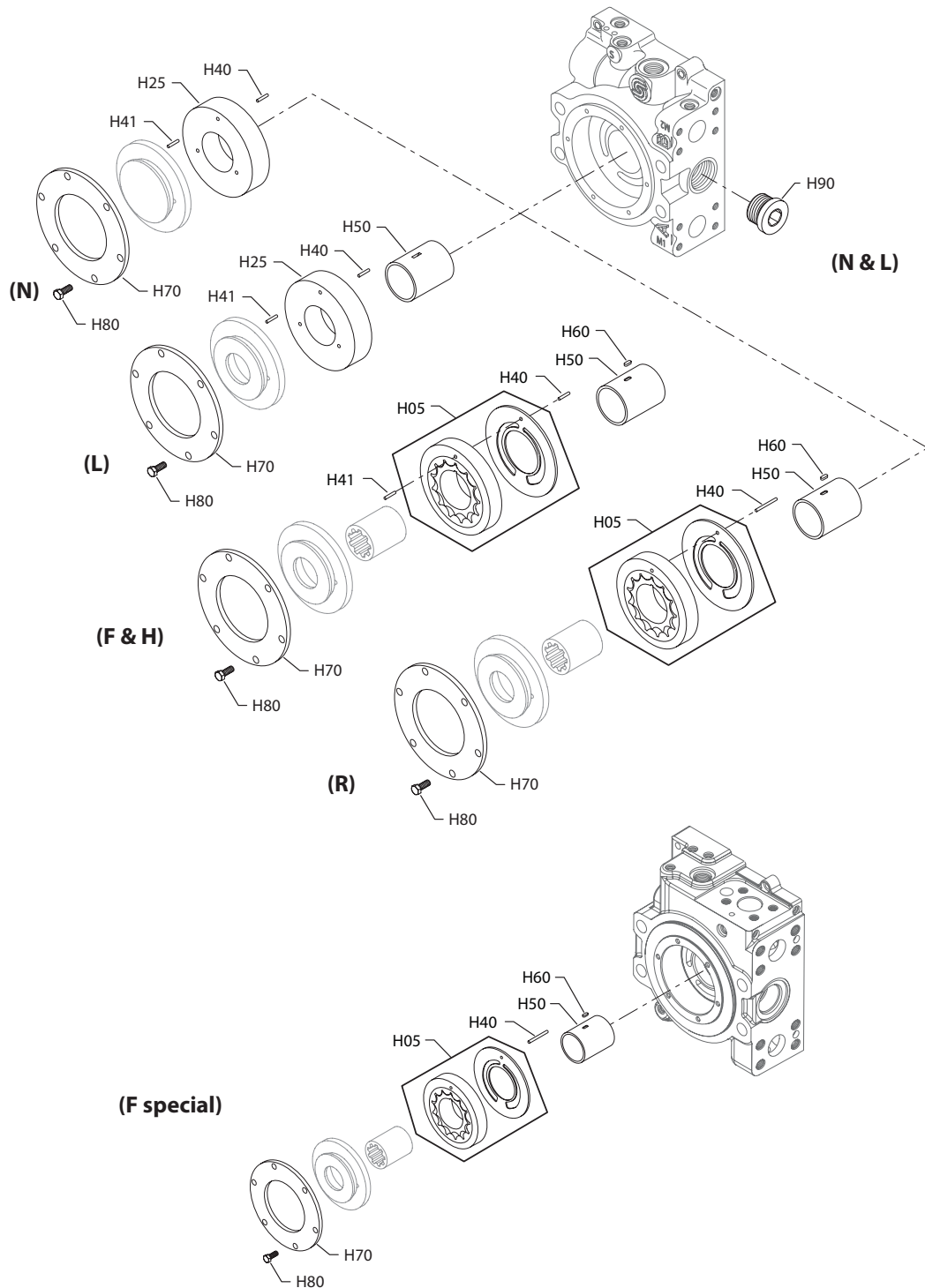
Order code: 8W

Item	Date begin	Date end	Part number	Part name	Qty. per model/kit
G04	02-25		518631	End cap assembly, twin ports	1
G20	02-25		303693	Journal bearing	1
G30	02-25		730895	End cap gasket	1
G40	02-25		303651	Bushing	1
G45	02-25		140644	Plug assembly	1
G46	02-25		140644	Plug assembly	1
G90	02-25		713768 (9007314-0812)	Screw, M8 x 55	1
G93	02-25		713800 (8800564)	Spacer	1
G94	02-25		8800565	Lifting bracket	1
G95	02-25		502195	Washer	1
G97	02-25		713768 (9007314-0812)	Screw, M8 x 55	1
G98	02-25		713768 (9007314-0812)	Screw, M8 x 55	1

Charging system

Charging system F-R

Parts configuration



Generic end cap used to show part location only

Charging system F-R

Order code: F special (Used with 8E, 8F, 8J, or 8N end cap only)

Item	Date begin	Date end	Part number	Part name	Qty. per model/kit
H05	04-49		8200240	Charge pump set, 26cc	1
H40	04-49		9004800-1224	Pin	1
H50	04-49		8801178	Charge pump shaft	1
H60	04-49		9003310-1208	Key	1
H70	04-49		516761	Retaining plate	1
H80	04-49		648451	Screw	6

Order code: F

H05	93-34		501405	Charge pump set, 26cc (SB-1994-025 on page 228)	1
H40	89-41		11152774	Pin	1
H41	89-41		11152774	Pin	1
H50	93-34		11138739	Charge pump draft (SB-1994-025 on page 228)	1
H60	89-41		734608	Key	1
H70	89-41		509361	Retaining plate	1
H80	89-41		378083 (9007210-0804)	Screw	6

Order code: H

H25	93-34		501406	Charge pump, set 34cc	1
H40	89-41		11152774	Pin	1
H41	89-41		11152774	Pin	1
H50	93-34		11138379	Charge pump (SB-1994-025 on page 228)	1
H60	89-41		734608	Key	1
H70	89-41		509361	Retaining ring	1
H80	89-41		378083 (9007210-0804)	Screw	6

Order code: L

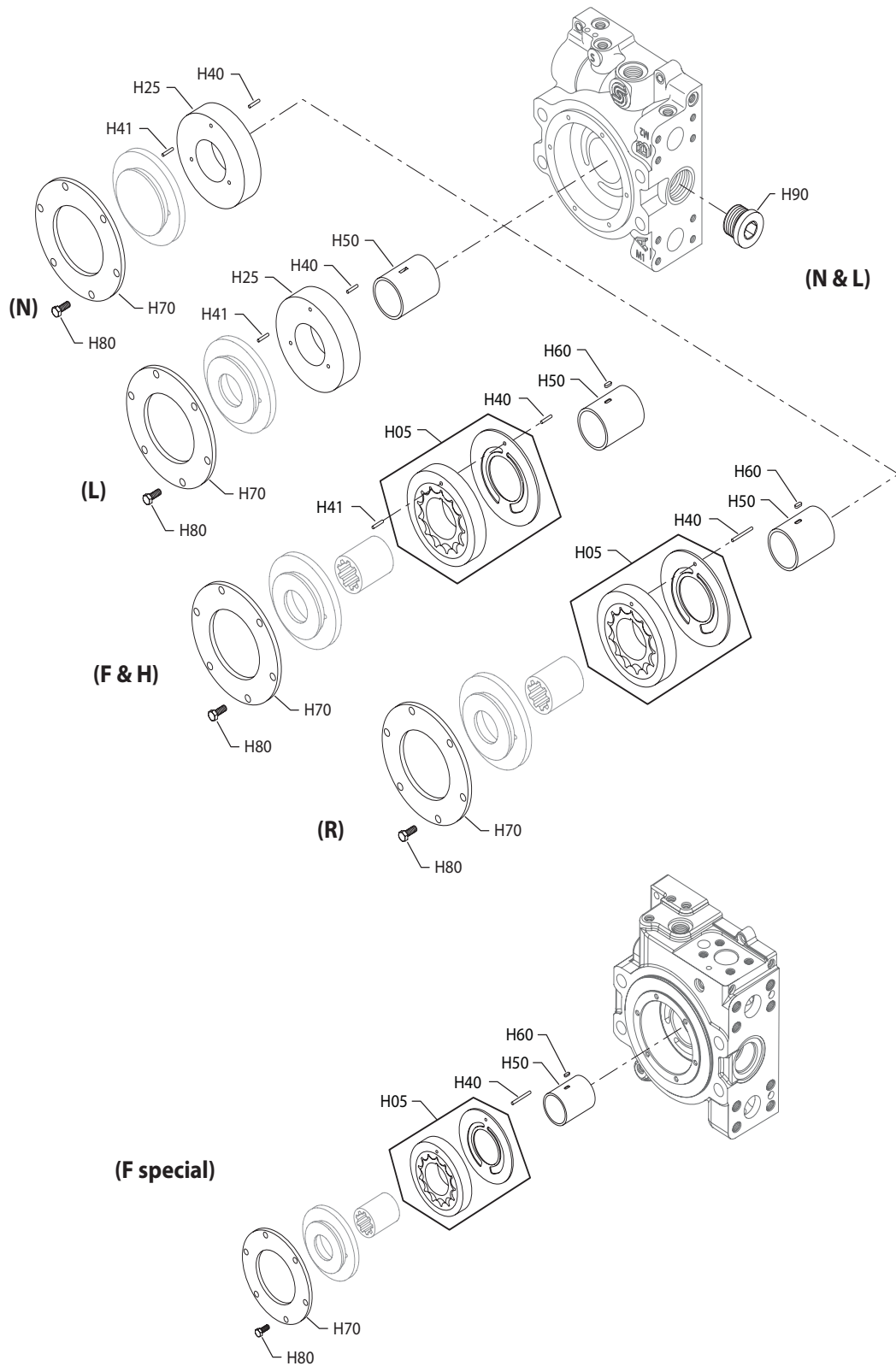
H25	89-41		11077719	Charge pump spacer	1
H40	89-41		11152774	Pin	1
H41	89-41		11152774	Pin	1
H50	93-34		11138379	Charge pump shaft	1
H70	89-41		509361	Retaining plate	1
H80	89-41		378083 (9007210-0804)	Screw	6
H90	89-41		676734 (9005110-9500)	Plug assembly	1

Order code: N

H25	93-29		11077719	Charge pump spacer	1
H40	89-41		11152774	Pin	1
H41	89-41		11152774	Pin	1
H70	93-29		509361	Retaining plate	1
H80	93-29		378083 (9007210-0804)	Screw	6
H90	93-29		676734 (9005110-9500)	Plug assembly	1

Charging system F-R

Parts configuration



Generic end cap used to show part location only

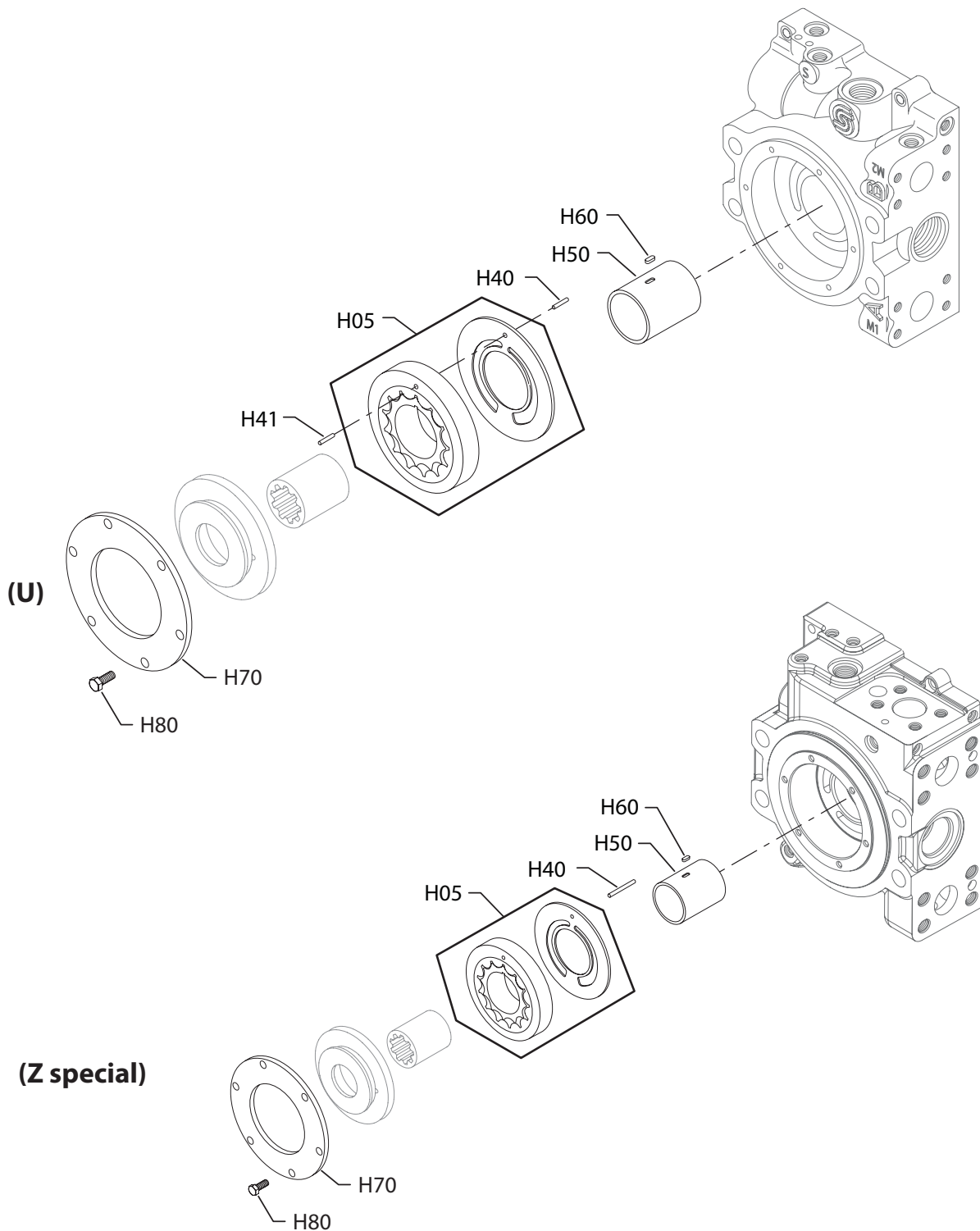
Charging system F-R

Order code: R

Item	Date begin	Date end	Part number	Part name	Qty. per model/kit
H05	95-03		503758	Charge pumps set 41cc	1
H40	95-03		504558	Pin	1
H50	95-03		11138378	Charge pump shaft	1
H60	95-03		734608	Key	1
H70	95-03		509361	Retaining plate	1
H80	95-03		378083 (9007210-0804)	Screw	6

Charging system U-Z

Parts configuration



Generic end cap used to show part location only

Charging system U-Z*Order code: U*

Item	Date begin	Date end	Part number	Part name	Qty. per model/kit
H05	96-02		509579	Charge pump set, 30cc	1
H40	89-41		11152774	Pin	1
H41	89-41		11152774	Pin	1
H50	96-02		11138379	Charge pump shaft	1
H60	96-02		734608	Key	1
H70	96-02		509361	Retaining plate	1
H80	96-02		378083 (9007210-0804)	Screw	6

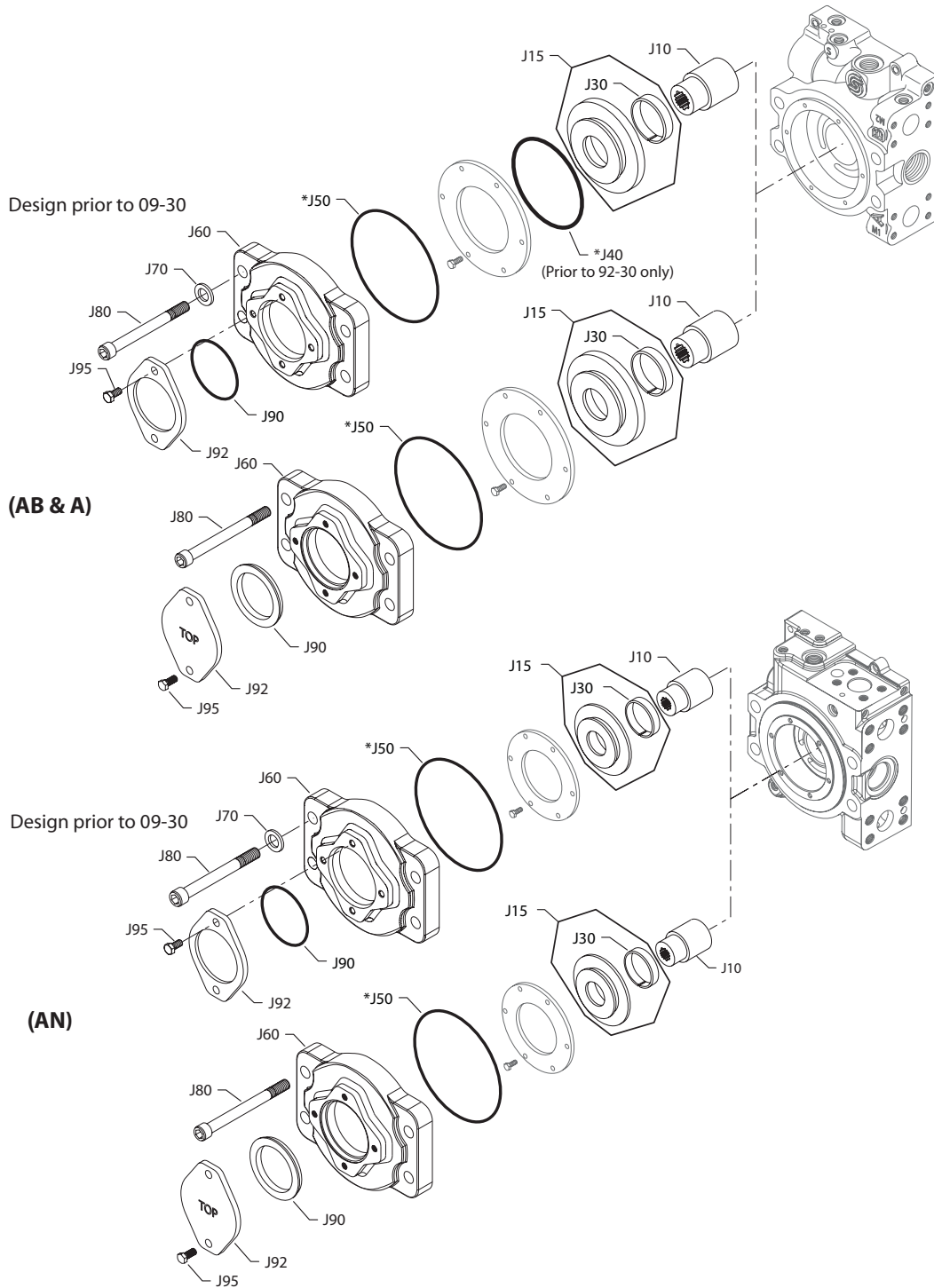
Order code: Z special (Used with 8E, 8F, 8J, 8K or 8N end cap option only)

H05	04-49		8200240	Charge pump set, 26cc	1
H40	04-49		9004800-1224	Pin	1
H50	04-49		8801178	Charge pump draft	1
H60	04-49		9003310-1208	Key	1
H70	04-49		516761	Retaining plate	1
H80	04-49		648451	Screw	6

Auxiliary mounting

Auxiliary mounting A-AN

Parts configuration



Generic end cap used to show part location only

* = included in overhaul seal kit Q210

Auxiliary mounting A-AN

Order code: A & AB

Item	Date begin	Date end	Part number	Part name	Qty. per model/kit
J10	89-41		11053288	Coupling, 9 tooth	1
J15	89-41		501402	Cover assembly, CW* (SB-1994-025 on page 228)	1
J15	89-41		501401-S	Cover assembly, CCW* (SB-1994-025 on page 228)	1
J30	89-41		303651	Bushing	1
J40	89-41	92-29	354324	O-ring	1
J50	89-41		505068	O-ring	1
J60	09-30		520946	Flange adapter, SAE A	1
J60	89-41	09-29	505113	Flange adapter, SAE A (SB-2009-074 on page 246)	1
J70	89-41	09-29	664920 (9009625-0132)	Washer (SB-2009-074 on page 246)	4
J80	89-41		338798 (9007314-1625)	Screw, M16 x 160	4
J90	09-30		4800482	A pad seal	1
J90	89-41	09-29	726950 (9004104-0420)	O-ring (SB-2009-074 on page 246)	1
J92	09-30		4460586	Cover plate	1
J92	89-41	09-29	9802336	Cover plate (SB-2009-074 on page 246)	1
J95	89-41		9007200-3714	Screw	2

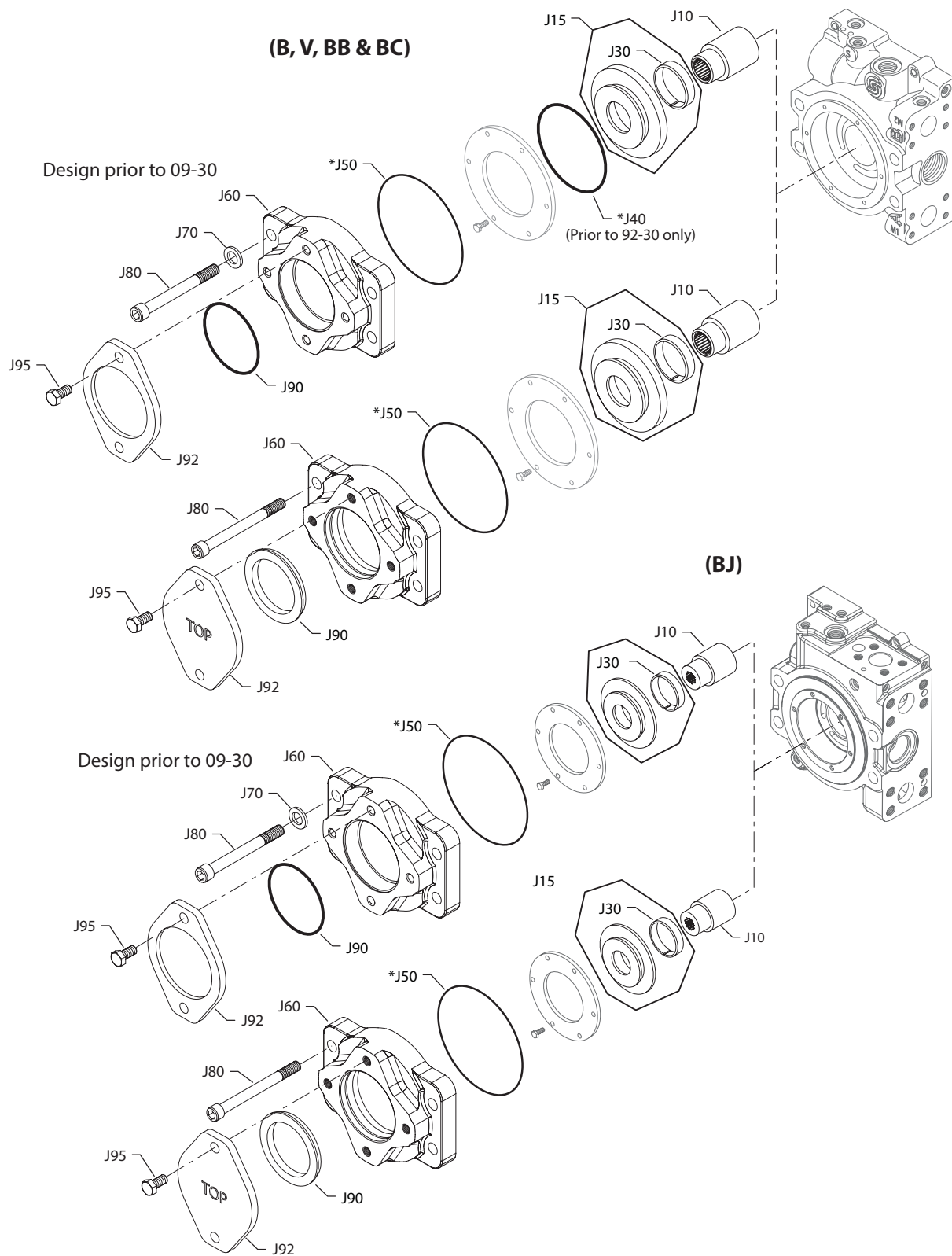
*New style covers are interchangeable with either charge pump design.

Order code: AN

J10	03-07		8100147	Coupling, 9 tooth	1
J15	03-07		8800832	Cover assembly, CW	1
J30	03-07		664771 (8700008)	Bushing	1
J50	03-07		505068	O-ring	1
J60	09-30		520946	Flange adapter, SAE A	1
J60	89-41	09-29	505113	Flange adapter, SAE A (SB-2009-074 on page 246)	1
J70	89-41	09-29	664920 (9009625-0132)	Washer (SB-2009-074 on page 246)	4
J80	03-07		338798 (9007314-1625)	Screw, M16 x 160	4
J90	09-30		4800482	A pad seal	1
J90	89-41	09-29	726950 (9004104-0420)	O-ring (SB-2009-074 on page 246)	1
J92	09-30		4460586	Cover plate	1
J92	89-41	09-29	9802336	Cover plate (SB-2009-074 on page 246)	1
J95	89-41		9007200-3714	Screw	2

Auxiliary mounting B-V

Parts configuration



* = included in overhaul seal kit Q210

Auxiliary mounting B-V

Order code: BB & V

Item	Date begin	Date end	Part number	Part name	Qty. per model/kit
J10	89-41		11053285	Coupling, 15 tooth	1
J15	89-41		501402	Cover assembly, CW* (SB-1994-025 on page 228)	1
J15	89-41		501401-S	Cover assembly, CCW* (SB-1994-025 on page 228)	1
J30	89-41		303651	Bushing	1
J40	89-41	92-29	354324	O-ring	1
J50	89-41		505068	O-ring	1
J60	09-30		520947	Flange adapter, SAE B	1
J60	89-41	09-29	503230	Flange adapter, SAE B (SB-2009-075 on page 248)	1
J70	89-41	09-29	664920 (9009625-0132)	Washer (SB-2009-075 on page 248)	4
J80	89-41		338798 (9007314-1625)	Screw, M16 x 160	4
J90	09-30		8801061	B pad seal	1
J90	89-41	09-29	726935 (9004104-0450)	O-ring (SB-2009-075 on page 248)	1
J92	09-30		8801059	Cover plate	1
J92	89-41	09-29	4460370	Cover plate (SB-2009-075 on page 248)	1
J95	89-41		9007200-5021	Screw	2

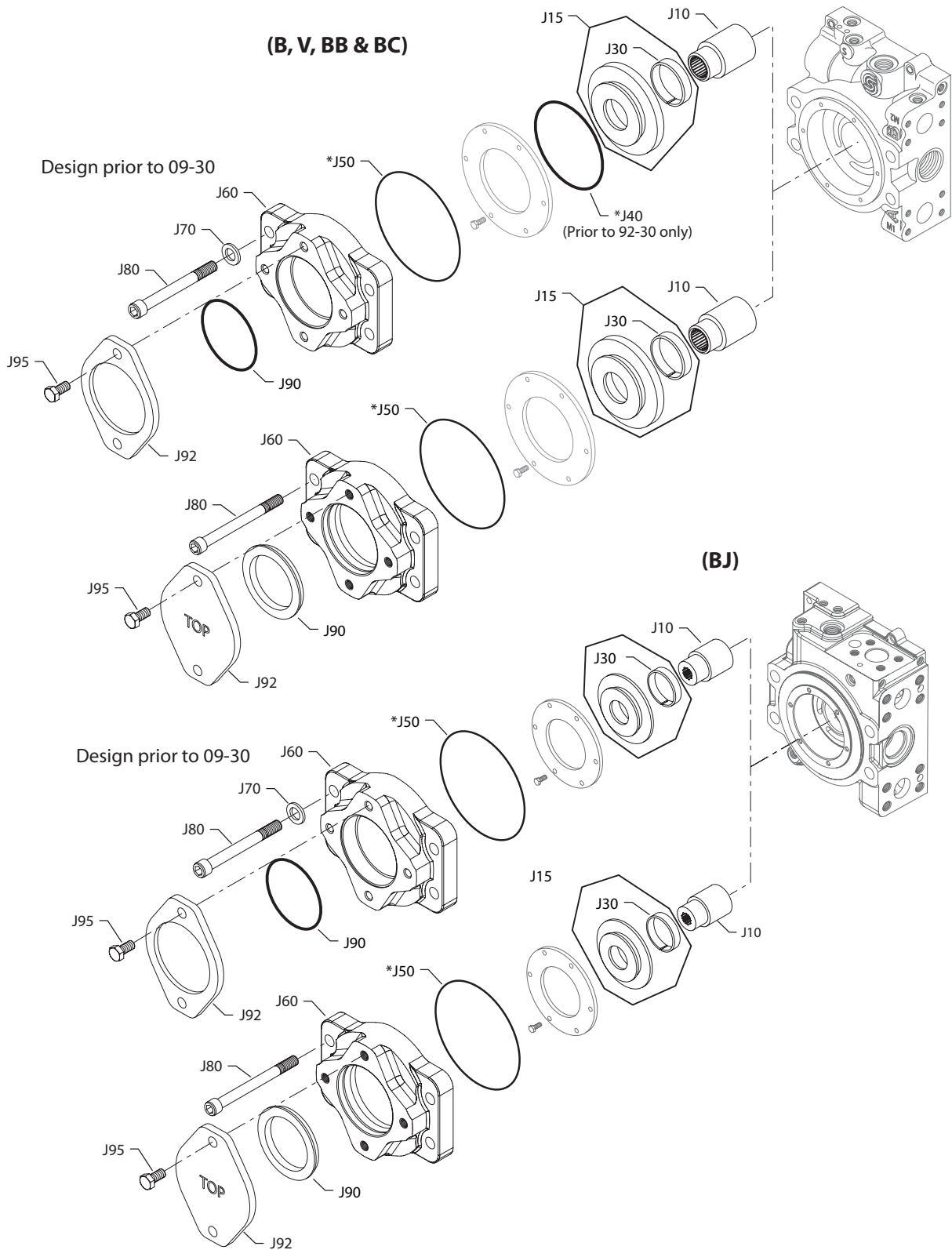
*New style covers are interchangeable with either charge pump design.

Order code: BC & B

J10	89-41		11053282	Coupling, 13 tooth	1
J15	89-41		501402	Cover assembly, CW* (SB-1994-025 on page 228)	1
J15	89-41		501401-S	Cover assembly, CCW* (SB-1994-025 on page 228)	1
J30	89-41		303651	Bushing	1
J40	89-41	92-29	354324	O-ring	1
J50	89-41		505068	O-ring	1
J60	09-30		520947	Flange adapter, SAE B	1
J60	89-41	09-29	503230	Flange adapter, SAE B (SB-2009-075 on page 248)	1
J70	89-41	09-29	664920 (9009625-0132)	Washer (SB-2009-075 on page 248)	4
J80	89-41		338798 (9007314-1625)	Screw, M16 x 160	4
J90	09-30		8801061	B pad seal	1
J90	89-41	09-29	726935 (9004104-0420)	O-ring (SB-2009-075 on page 248)	1
J92	09-30		8801059	Cover plate	1
J92	89-41	09-29	4460370	Cover plate (SB-2009-075 on page 248)	1
J95	89-41		9007200-5021	Screw	2

Auxiliary mounting B-V

Parts configuration



* = included in overhaul seal kit Q210

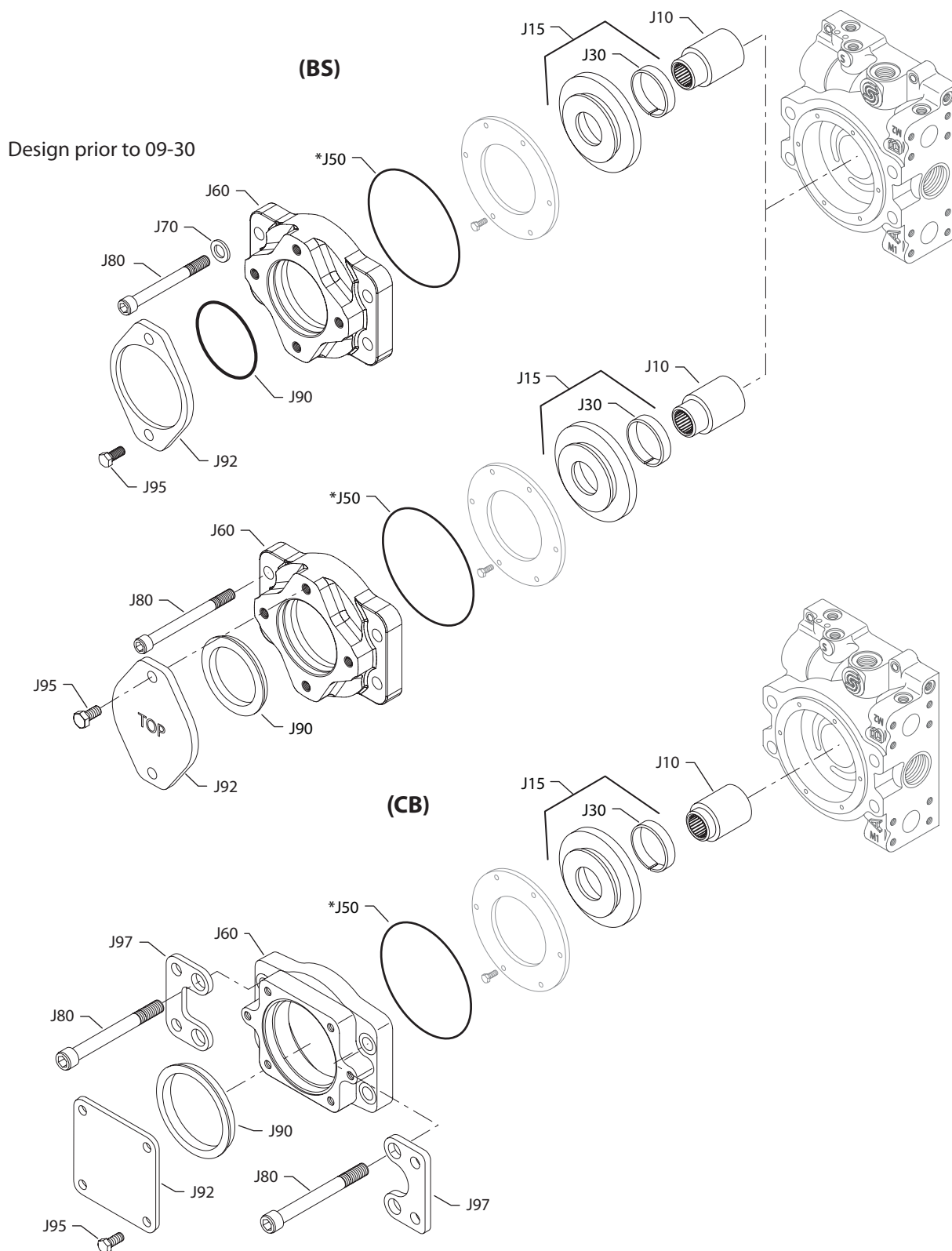
Auxiliary mounting B-V

Order code: BJ

Item	Date begin	Date end	Part number	Part name	Qty. per model/kit
J10	05-01		8100148	Coupling, 13 tooth	1
J15	05-01		8800832	Cover assembly, CW	1
J15	05-01		8800833	Cover assembly, CCW	1
J30	05-01		664771 (8700008)	Bushing	1
J50	05-01		505068	O-ring	1
J60	09-29		11039180	Flange adapter, SAE B	1
J60	05-01	09-29	503230	Flange adapter, SAE B (SB-2009-075 on page 248)	1
J70	05-01	09-29	664920 (9009625-0132)	Washer (SB-2009-075 on page 248)	4
J80	05-01		338798 (9007314-1625)	Screw, M16 x 160	4
J90	09-30		8801061	B pad seal	1
J90	89-41	09-29	726935 (9004104-0420)	O-ring (SB-2009-075 on page 248)	1
J92	09-30		8801059	Cover plate	1
J92	05-01	09-29	4460370	Cover plate (SB-2009-075 on page 248)	1
J95	05-01		544478 (9007200-5016)	Screw	2

Auxiliary mounting BS-CB

Parts configuration



Generic end cap used to show part location only

* = included in overhaul seal kit Q210

Auxiliary mounting BS-CB

Order code: BS

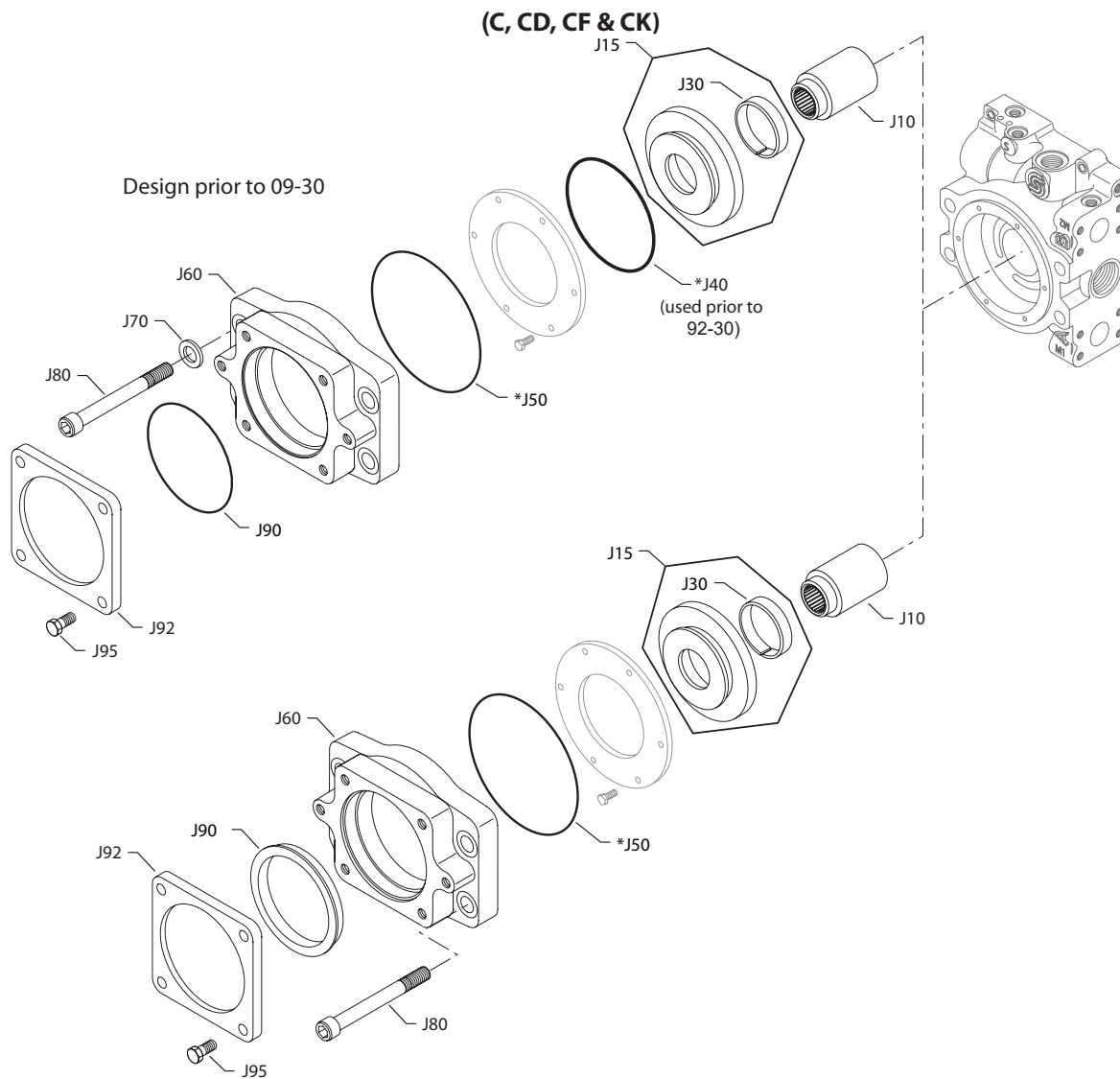
Item	Date begin	Date end	Part number	Part name	Qty. per model/kit
J10	06-13		11053282	Coupling, 13 tooth	1
J15	06-13		11002217	Cover assembly, CW	1
J30	06-13		303651	Bushing	1
J50	06-13		505068	O-ring	1
J60	09-30		520947	Flange adapter, SAE B	1
J60	06-13	09-29	503230	Flange adapter, SAE B (<i>SB-2009-075</i> on page 248)	1
J70	06-13	09-29	664920 (9009625-0132)	Washer (<i>SB-2009-075</i> on page 248)	4
J80	06-13		338798 (9007314-1625)	Screw, M16 x 160	4
J90	09-30		8801061	B pad seal	1
J90	06-13	09-29	726935 (9004104-0450)	O-ring (<i>SB-2009-075</i> on page 248)	1
J92	09-30		8801059	Cover plate	1
J92	06-13	09-29	4460370	Cover plate (<i>SB-2009-075</i> on page 248)	1
J95	06-13		9007200-5021	Screw	2

Order code: CB

J10	03-38		11053284	Coupling, 14 tooth	1
J15	03-38		513832-S	Cover assembly, CW	1
J30	03-38		303651	Bushing	1
J50	03-38		505068	O-ring	1
J60	03-38		513617	Flange adapter, SAE C	1
J80	03-38		338798 (9007314-1625)	Screw, M16 x 160	4
J90	03-38		11081805	C pad seal	1
J92	03-38		8801060	Cover plate	1
J95	03-38		9007200-5021	Screw	4
J97	03-38		519663	Auxiliary mounting bracket	2

Auxiliary mounting C-CK

Parts configuration



Generic end cap used to show part location only

* = included in overhaul seal kit Q210

Auxiliary mounting C-CK

Order code: CD & C

Item	Date begin	Date end	Part number	Part name	Qty. per model/kit
J10	89-41		11053284	Coupling, 13 tooth	1
J15	89-41		501402	Cover assembly, CW* (SB-1994-025 on page 228)	1
J15	89-41		501401-S	Cover assembly, CCW* (SB-1994-025 on page 228)	1
J30	89-41		303651	Bushing	1
J40	89-41	92-29	354324	O-ring	1
J50	89-41		505068	O-ring	1
J60	09-30		513617	Flange adapter, SAE B	1
J60	89-41	09-29	505116	Flange adapter, SAE B (SB-2009-076 on page 250)	1
J70	89-41	09-29	664920 (9009625-0132)	Washer (SB-2009-076 on page 250)	4
J80	89-41		338798 (9007314-1625)	Screw, M16 x 160	4
J90	09-30		11081805	B pad seal	1
J90	89-41	09-29	726943 (9004104-0490)	O-ring (SB-2009-076 on page 250)	1
J92	09-30		8801060	Cover plate	1
J92	89-41	09-29	307363	Cover plate (SB-2009-076 on page 250)	1
J95	89-41		9007200-5021	Screw	2

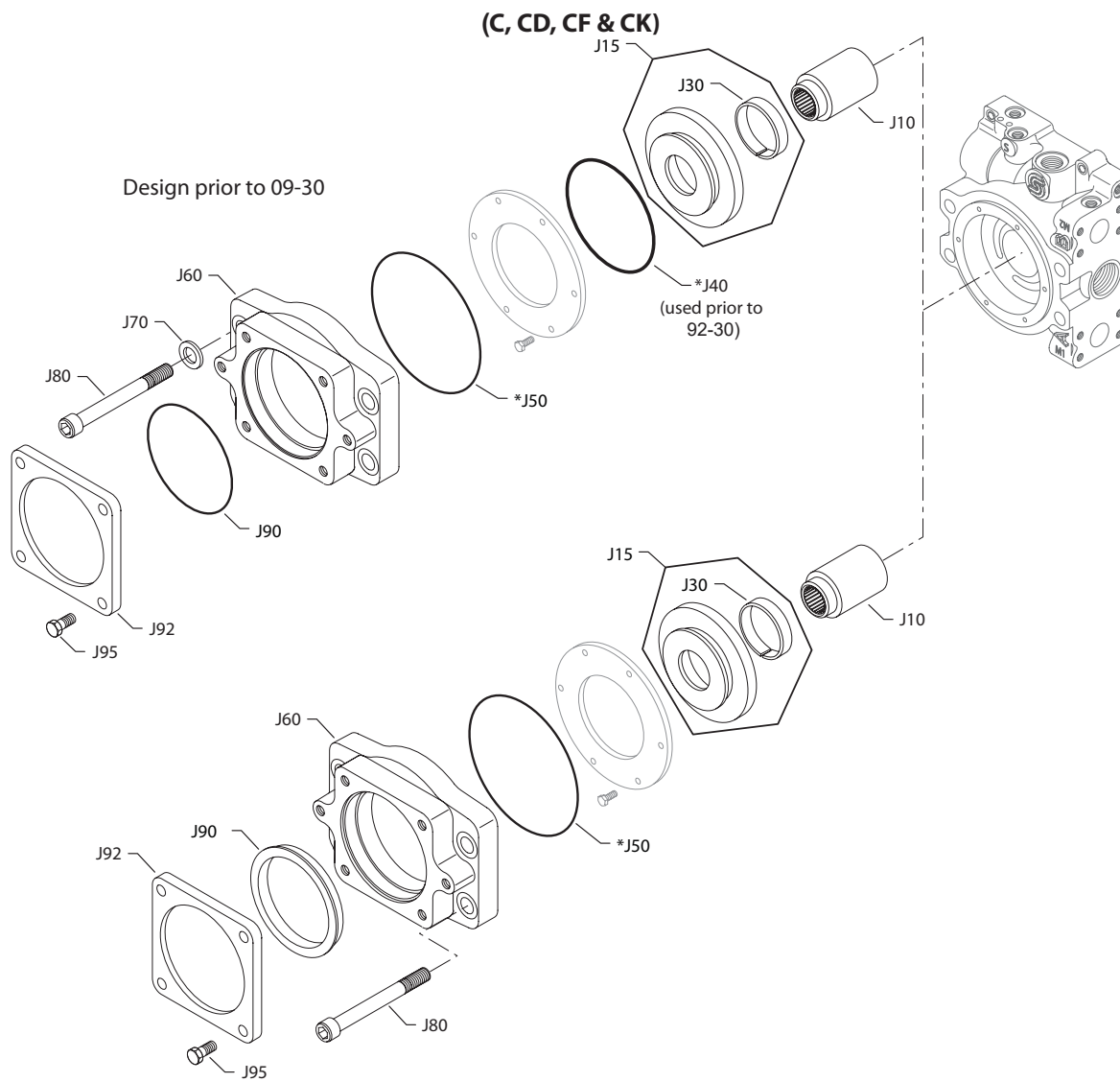
* New style covers are interchangeable with either charge pump design

Order code: CF

J10	96-18		705954	Coupling, 21 tooth	1
J15	96-18		501402	Cover assembly, CW	1
J15	96-18		501401-S	Cover assembly, CCW	1
J30	96-18		303651	Bushing	1
J50	96-18		505068	O-ring	1
J60	09-30		513617	Flange adapter, SAE C	1
J60	96-18	09-29	505116	Flange adapter, SAE C (SB-2009-076 on page 250)	1
J70	96-18	09-29	664920 (9009625-0132)	Washer (SB-2009-076 on page 250)	4
J80	96-18		338798 (9007314-1625)	Screw, M16 x 160	4
J90	09-30		11081805	C pad seal	1
J90	96-18	09-29	726943 (9004104-0490)	O-ring (SB-2009-076 on page 250)	1
J92	09-30		8801060	Cover plate	1
J92	96-18	09-29	307363	Cover plate (SB-2009-076 on page 250)	1
J95	96-18		9007200-5021	Screw	4

Auxiliary mounting C-CK

Parts configuration



Generic end cap used to show part location only

* = included in overhaul seal kit Q210

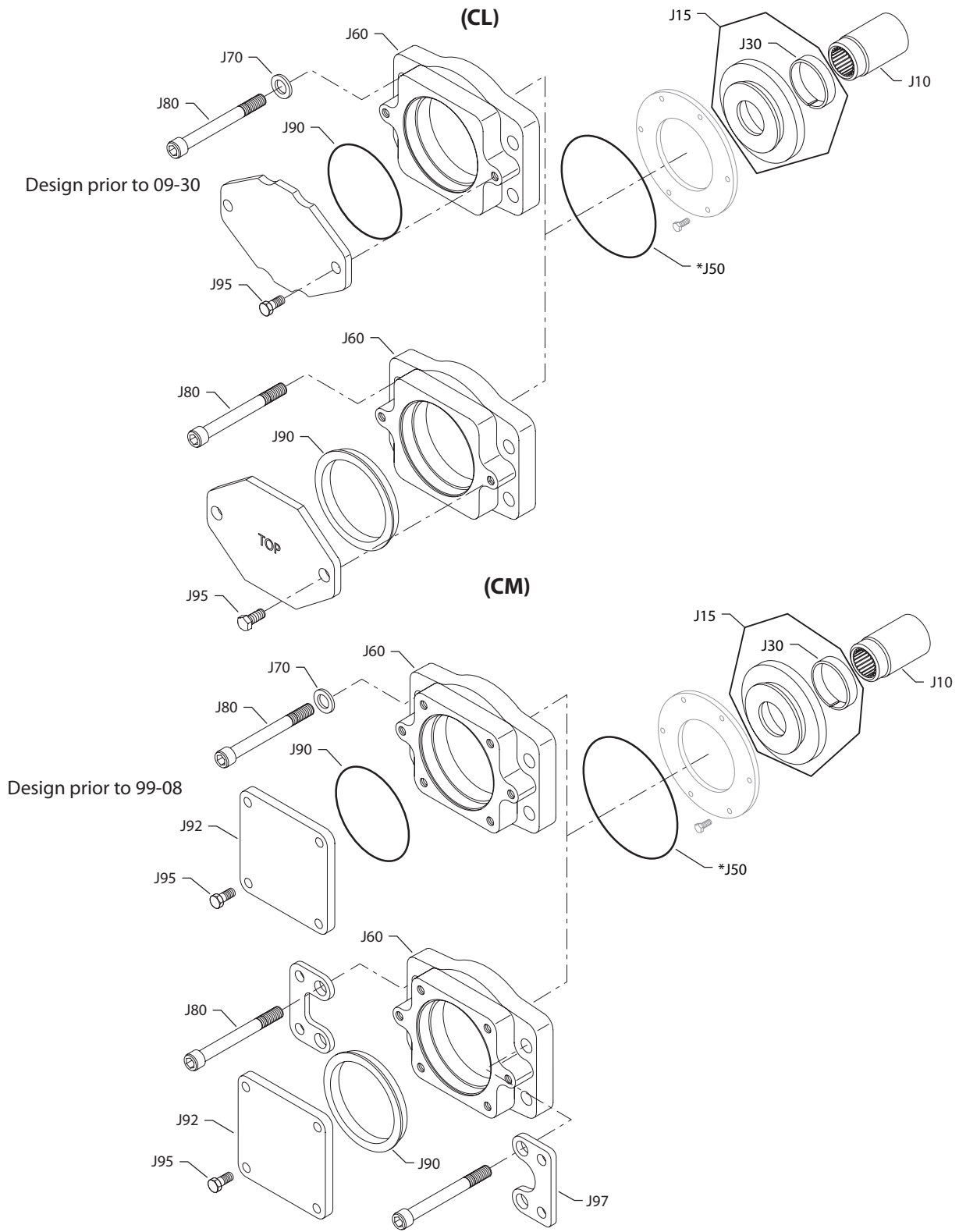
Auxiliary mounting C-CK

Order code: CK

Item	Date begin	Date end	Part number	Part name	Qty. per model/kit
J10	96-18		11053338	Coupling, 25 tooth	1
J15	96-18		501402	Cover assembly, CW	1
J15	96-18		501401-S	Cover assembly, CCW	1
J30	96-18		303651	Bushing	1
J50	96-18		505068	O-ring	1
J60	09-30		513617	Flange adapter, SAE C	1
J60	96-18	09-29	505116	Flange adapter, SAE C (SB-2009-076 on page 250)	1
J70	96-18	09-29	664920 (9009625-0132)	Washer (SB-2009-076 on page 250)	4
J80	96-18		338798 (9007314-1625)	Screw, M16 x 160	4
J90	09-30		11081805	C pad seal	1
J90	96-18	09-29	726943 (9004104-0490)	O-ring (SB-2009-076 on page 250)	1
J92	09-30		8801060	Cover plate	1
J92	96-18	09-29	8800406	Cover plate (SB-2009-076 on page 250)	1
J95	96-18		9007200-5021	Screw	4

Auxiliary mounting CL-CM

Parts configuration



* = included in overhaul seal kit Q210

Auxiliary mounting CL-CM

Order code: CL

Item	Date begin	Date end	Part number	Part name	Qty. per model/kit
J10	96-18		11053286	Coupling, 17 tooth	1
J15	96-18		503399	Cover assembly, CW	1
J15	96-18		503397	Cover assembly, CCW	1
J30	96-18		303651	Bushing	1
J50	96-18		505068	O-ring	1
J60	09-30		11039184	Flange adapter, SAE C	1
J60	96-18	09-29	508407	Flange adapter, SAE C (<i>SB-2009-076</i> on page 250)	1
J70	96-18	09-29	664920 (9009625-0132)	Washer (<i>SB-2009-076</i> on page 250)	4
J80	96-18		338798 (9007314-1625)	Screw, M16 x 160	4
J90	09-30		11081805	C pad seal	1
J90	96-18	09-29	726943 (9004104-0490)	O-ring (<i>SB-2009-076</i> on page 250)	1
J92	09-30		11048554	Cover plate	1
J92	96-18	09-29	350678	Cover plate	1
J95	96-18		9007200-6222	Screw	2

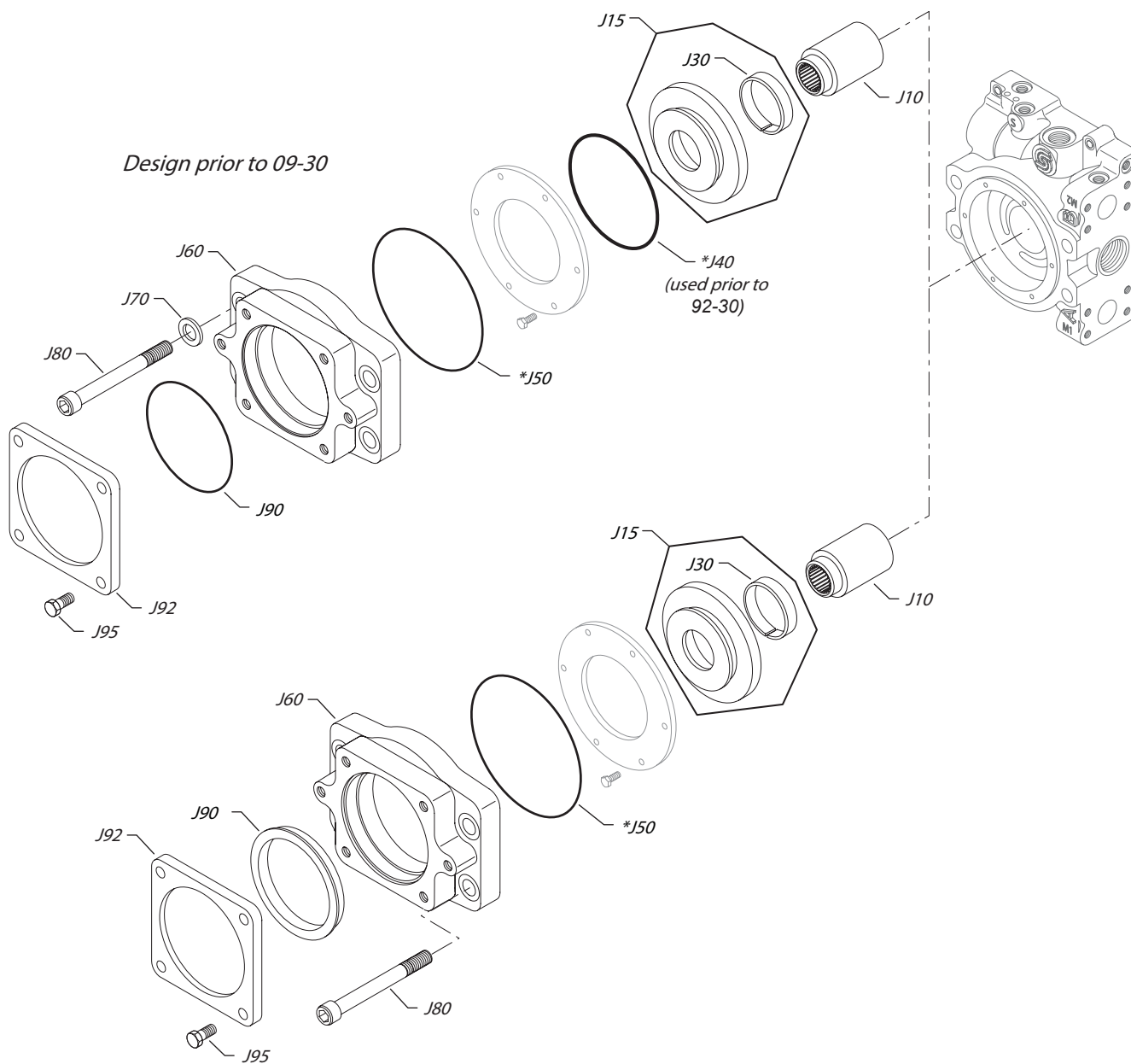
Order code: CM

J10	89-41		705954	Coupling, 21 tooth	1
J15	89-41		513832-S	Cover assembly, CW	1
J30	89-41		303651	Bushing	1
J50	89-41		505068	O-ring	1
J60	99-08		513617	Flange adapter, SAE C	1
J60	89-41	99-07	505116	Flange adapter, SAE C (<i>SB-2009-076</i> on page 250)	1
J70	89-41	09-29	664920 (9009625-0132)	Washer (<i>SB-2009-076</i> on page 250)	8
J80	94-49		506389	Screw, M16 x 170	4
J80	89-41	94-48	338798 (9007314-1625)	Screw, M16 x 160	4
J90	99-08		11081805	C pad seal	1
J90	89-41	99-07	726943 (9004104-0490)	O-ring (<i>SB-2009-076</i> on page 250)	1
J92	99-08		8801060	Cover plate	1
J92	89-41	99-07	307363	Cover plate	1
J95	89-41		9007200-5021	Screw	4
J97	94-49		519663	Auxiliary mounting bracket	2

Auxiliary mounting CS-CY

Parts configuration

(CS & CY)



* = included in overhaul seal kit Q210

Auxiliary mounting CS-CY

Order code: CS

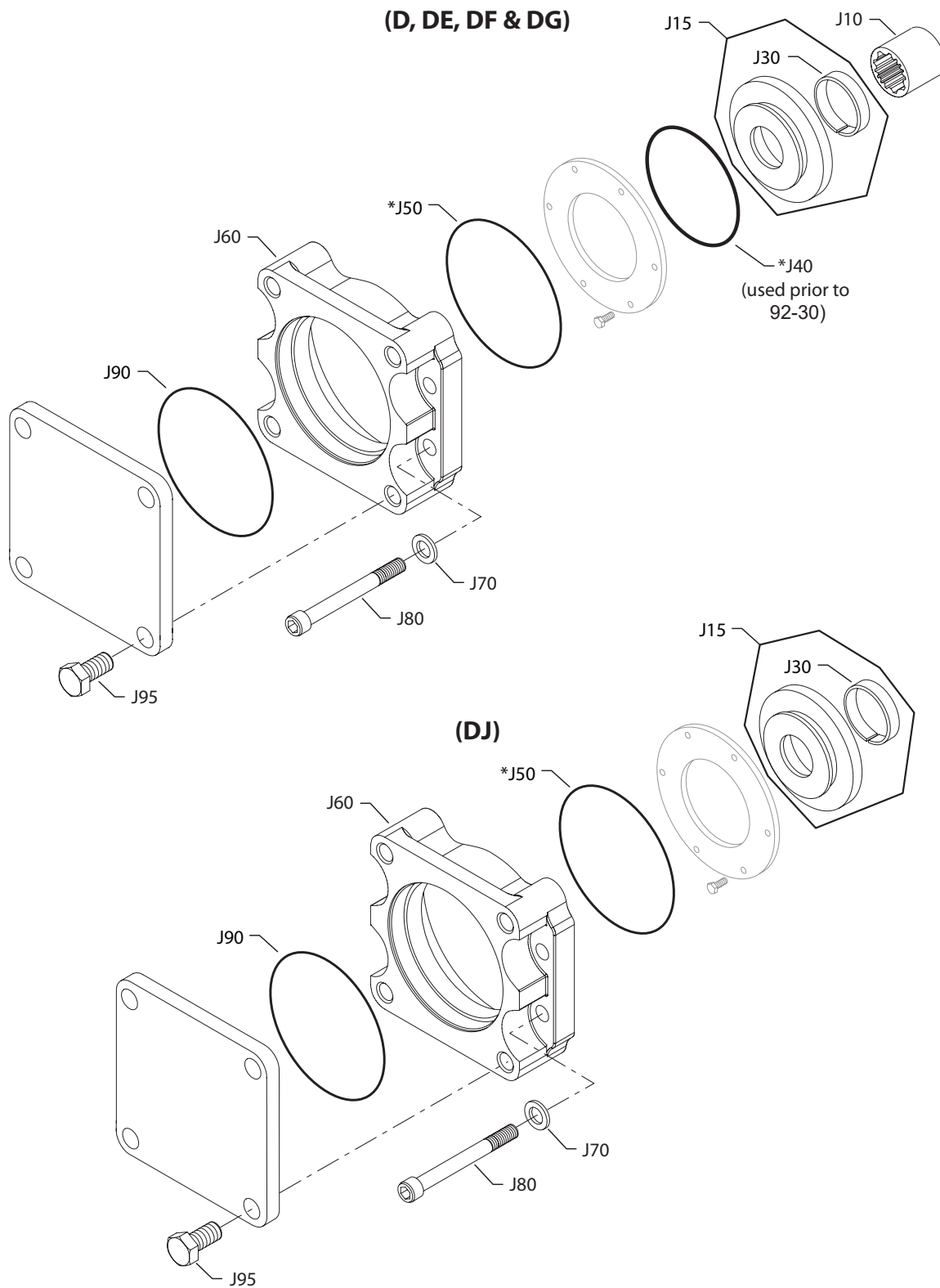
Item	Date begin	Date end	Part number	Part name	Qty. per model/kit
J10	96-18		11053286	Coupling, 17 tooth	1
J15	96-18		503399	Cover assembly, CW	1
J15	96-18		503397	Cover assembly, CCW	1
J30	96-18		303651	Bushing	1
J50	96-18		505068	O-ring	1
J60	99-08		513617	Flange adapter, SAE C	1
J60	96-18	99-07	505116	Flange adapter, SAE C (SB-2009-076 on page 250)	1
J70	96-18	09-29	664920 (9009625-0132)	Washer (SB-2009-076 on page 250)	4
J80	96-18		338798 (9007314-1625)	Screw, M16 x 160	4
J90	09-30		11081805	C pad seal	1
J90	96-18	09-29	726943 (9004104-0490)	O-ring (SB-2009-076 on page 250)	1
J92	09-30		8801060	Cover plate	1
J92	96-18	09-29	8800406	Cover plate	1
J95	96-18		9007200-5021	Screw	4

Order code: CY

J10	05-46		11053286	Coupling, 17 tooth	1
J15	05-46		11002215	Cover assembly, CCW	1
J30	05-46		303651	Bushing	1
J50	05-46		505068	O-ring	1
J60	05-46		513617	Flange adapter, SAE C	1
J70	05-46	09-29	664920 (9009625-0132)	Washer	4
J80	05-46		338798 (9007314-1625)	Screw, M16 x 160	4
J90	05-46		11081805	C pad seal	1
J92	05-46		8801060	Cover plate	1
J95	05-46		9007200-5021	Screw	4

Auxiliary mounting D-DJ

Parts configuration



* = included in overhaul seal kit Q210

Auxiliary mounting D-DJ

Order code: D & DE

Item	Date begin	Date end	Part number	Part name	Qty. per model/kit
J10	89-41		11053283	Coupling, 13 tooth	1
J15	89-41		501402	Cover assembly, CW	1
J15	89-41		501401-S	Cover assembly, CCW	1
J30	89-41		303651	Bushing	1
J40	89-41	92-29	354324	O-ring	1
J50	89-41		505068	O-ring	1
J60	89-41		505118	Flange adapter, SAE D	1
J70	89-41	12-39	664920 (9009625-0132)	Washer	4
J80	89-41		338798 (9007314-1625)	Screw, M16 x 160	4
J90	89-41		726927	O-ring	1
J92	89-41		338400	Cover plate	1
J95	89-41		9007200-7524	Screw	4

Order code: DF

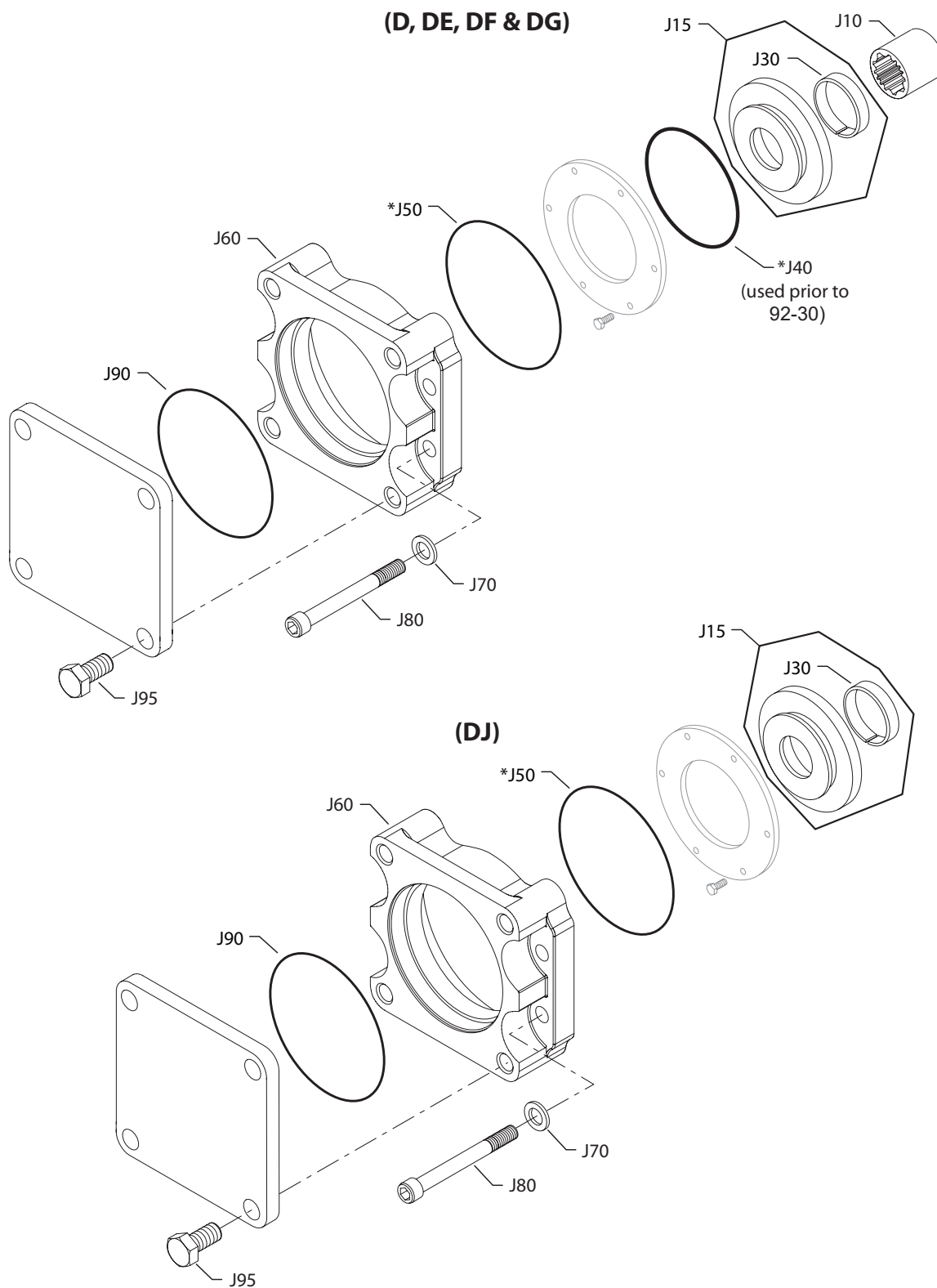
J10	96-18		11053283	Coupling, 13 tooth	1
J15	96-18		513832-S	Cover assembly, CW	1
J15	96-18		11002217	Cover assembly, CCW	1
J30	96-18		303651	Bushing	1
J50	96-18		505068	O-ring	1
J60	96-18		505118	Flange adapter, SAE D	1
J70	96-18	12-39	664920 (9009625-0132)	Washer	4
J80	96-18		338798 (9007314-1625)	Screw, M16 x 160	4
J90	96-18		726927	O-ring	1
J92	96-18		338400	Cover plate	1
J95	96-18		9007200-7524	Screw	4

Order code: DG

J10	96-18		11053339	Coupling, 27 tooth	1
J15	96-18		501402	Cover assembly, CW	1
J15	96-18		501401-S	Cover assembly, CCW	1
J30	96-18		303651	Bushing	1
J50	96-18		505068	O-ring	1
J60	96-18		505118	Flange adapter, SAE D	1
J70	96-18	12-39	664920 (9009625-0132)	Washer	4
J80	96-18		338798 (9007314-1625)	Screw, M16 x 160	4
J90	96-18		726927	C pad seal	1
J92	96-18		338400	Cover plate	1
J95	96-18		9007200-7524	Screw	4

Auxiliary mounting D-DJ

Parts configuration



* = included in overhaul seal kit Q210

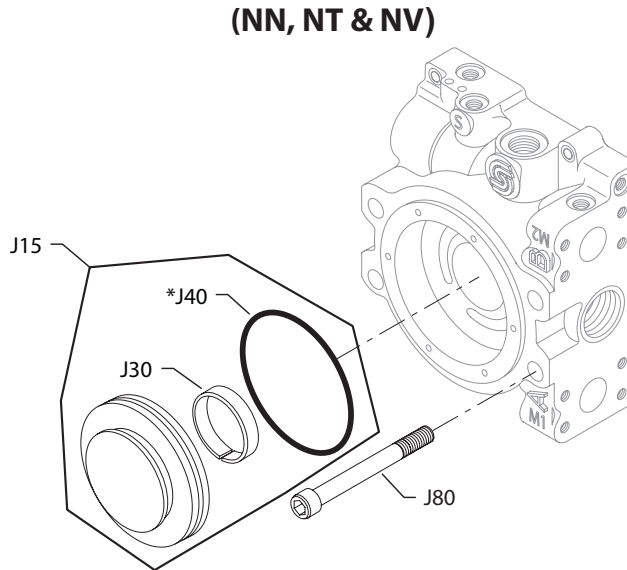
Auxiliary mounting D-DJ

Order code: DJ

Item	Date begin	Date end	Part number	Part name	Qty. per model/kit
J15	10-42		503663	Cover assembly, CW	1
J15	10-42		503666	Cover assembly, CCW	1
J30	10-42		303651	Bushing	1
J50	10-42		505068	O-ring	1
J60	10-42		505118	Flange adapter, SAE D	1
J70	10-42	12-39	664920 (9009625-0132)	Washer	4
J80	10-42		338798 (9007314-1625)	Screw, M16 x 160	4
J90	10-42		726927	O-ring	1
J92	10-42		338400	Cover plate	1
J95	10-42		9007200-7524	Screw	4

Auxiliary mounting NN-NV

Parts configuration



Generic end cap used to show part location only

* = included in overhaul seal kit Q210

Auxiliary mounting NN-NV*Order code: NN*

Item	Date begin	Date end	Part number	Part name	Qty. per model/kit
J15	89-41		501400	Cover assembly	1
J30	89-41		303651	Bushing	1
J40	89-41		11147582	O-ring	1
J80	89-41		518721	Screw	4

Order code: NT

J15	96-18		517450	Cover assembly	1
J30	96-18		303651	Bushing	1
J40	96-18		11147582	O-ring	1
J80	96-18		518721	Screw	4

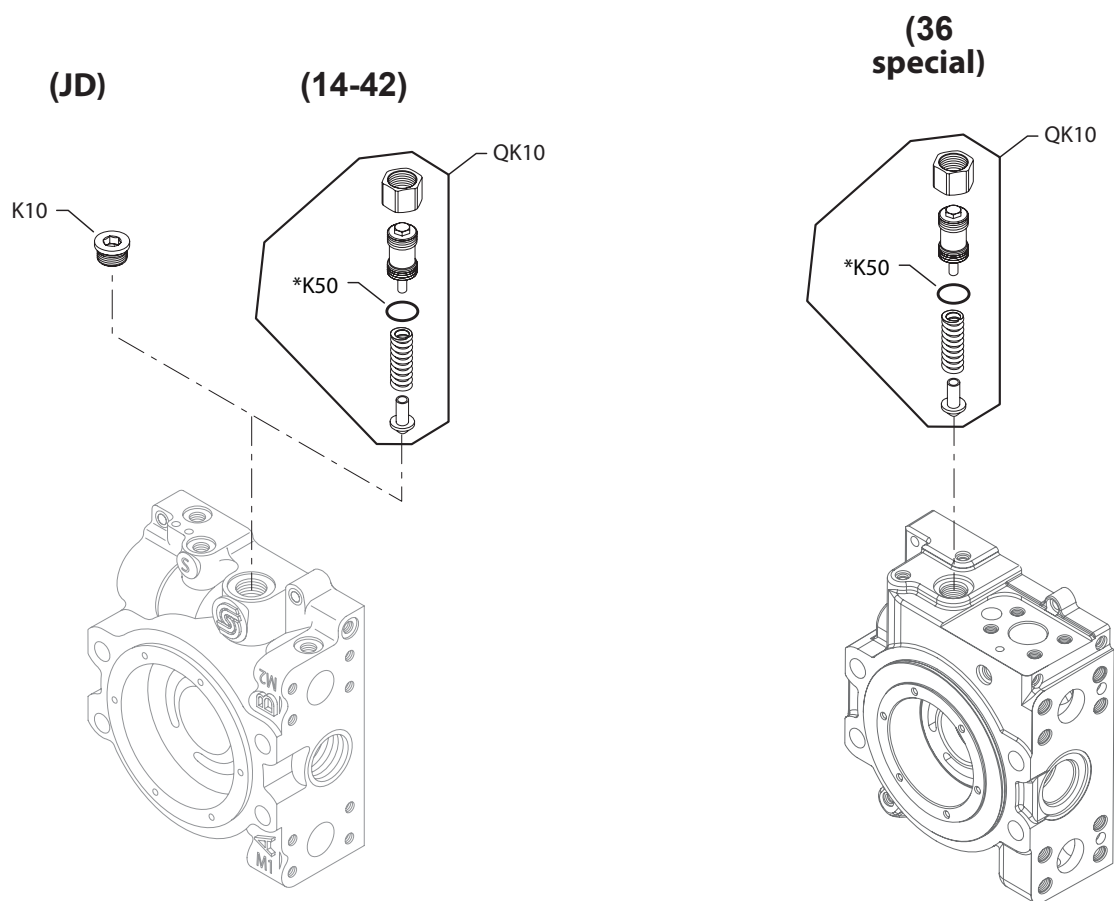
Order code: NV

J15	03-08		8800834	Cover assembly	1
J30	03-08		664771 (8700008)	Bushing	1
J40	03-08		680892 (9004104-0440)	O-ring	1
J80	03-08		518721	Screw	4

Charge pressure relief

Charge pressure relief 14-XX

Parts configuration



Generic end cap used to show part location only

* = included in overhaul seal kit Q210

Charge pressure relief 14-XX*Order code: 14-32*

Item	Date begin	Date end	Part number	Part name	Qty. per model/kit
QK10	89-41		8510272	Charge relief valve kit, 14-32 bar	1
K50	89-41		001156 (9004201-7500)	O-ring	1

Order code: 34-42

QK10	96-13		8510390	Charge relief valve kit, 34-42 bar	1
K50	96-13		001156 (9004201-7500)	O-ring	1

Order code: 36 (special)

QK10	96-13		8510269	Charge relief valve kit, 34-42 bar	1
K50	96-13		001149 (9004201-6200)	O-ring	1

Order code: JD

K10	96-13		664524 (9005110-9000)	Plug assembly	1
-----	-------	--	-----------------------	---------------	---

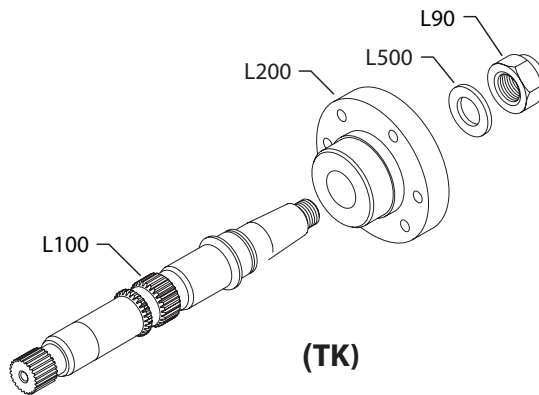
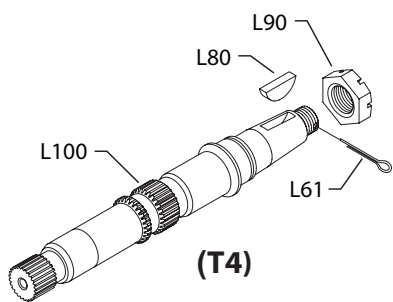
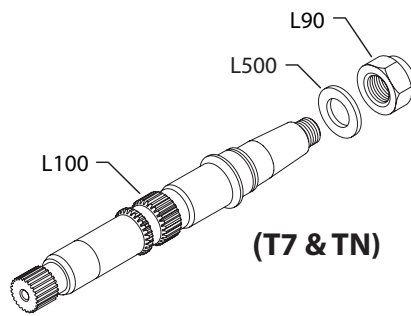
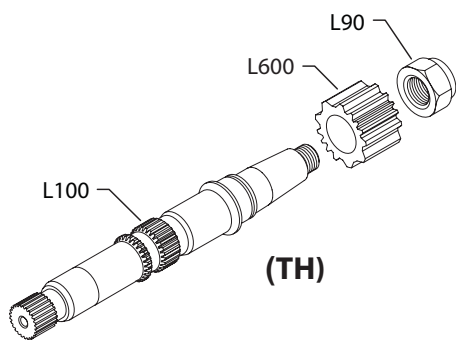
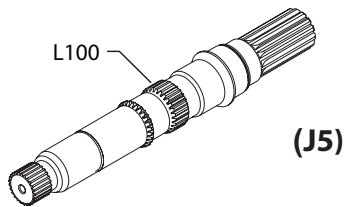
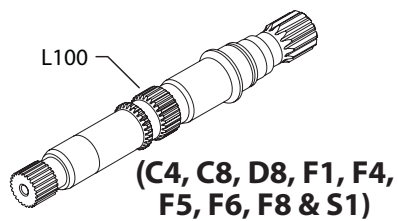
Order code: XX

QK10	89-41		8510272	Charge relief valve kit, 18-32 bar	1
K50	89-41		001156 (9004201-7500)	O-ring	1

Shaft

Shaft C4-TN

Parts Configuration



* = included in overhaul seal kit Q210

Shaft C4-TN*Order code: C4*

Order code	Item	Date begin	Date end	Part name	Qty. per model/kit
L100	03-08		11031204	Shaft, 27 tooth spline, 16/32, special*	1

* Used with 8E, 8F, 8J, 8K or 8N end cap option only.

Order code: C8

L100	89-46		303495	Shaft, 27 tooth spline, 16/32	1
------	-------	--	--------	-------------------------------	---

Order code: D8

L100	89-46		503443	Shaft, 27 tooth spline, 16/32, M10 tapped thread	1
------	-------	--	--------	--	---

Order code: F1

L100	89-46		335695	Shaft, 13 tooth spline, 8/16	1
------	-------	--	--------	------------------------------	---

Order code: F4

L100	96-45		518465	Shaft, 13 tooth spline, 8/16, special*	1
------	-------	--	--------	--	---

* Used with 8E, 8F or 8J end cap option only.

Order code: F5

L100	89-46		518828	Shaft, 13 tooth spline, 8/16, 5/8-11 tapped thread	1
------	-------	--	--------	--	---

Order code: F6

L100	89-46		11002449	Shaft, 13 tooth spline, 8/16, special length	1
------	-------	--	----------	--	---

Order code: F8

L100	89-46		11031204	Shaft, 27 tooth spline, 16/32	1
------	-------	--	----------	-------------------------------	---

Order code: J5

L100	92-16		506911	Shaft, 13 tooth spline, 8/16, no relief	1
------	-------	--	--------	---	---

Order code: S1

L100	14-25		11153398	Shaft, 14 tooth spline, 12/24	1
------	-------	--	----------	-------------------------------	---

Order code: T4

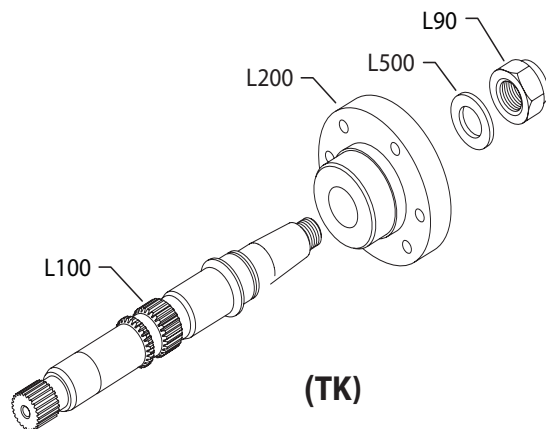
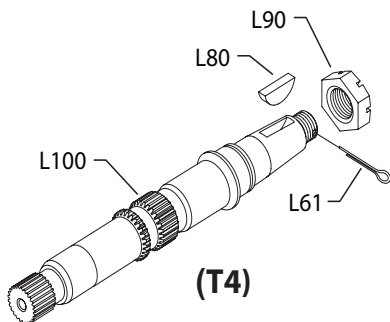
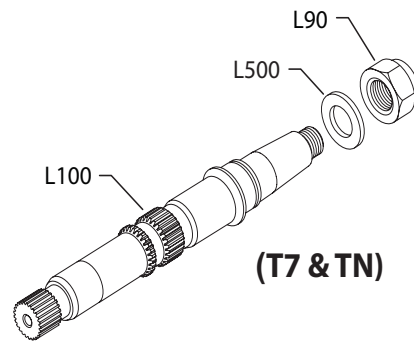
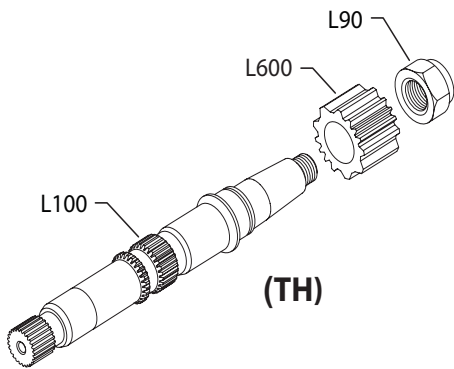
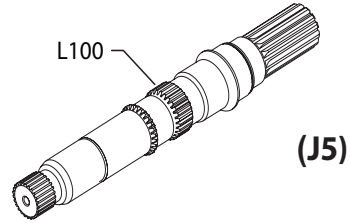
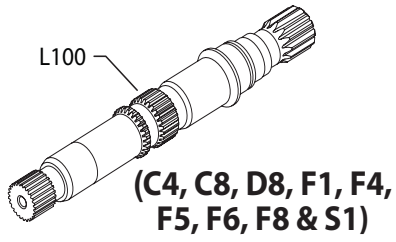
L61	89-46		551424	Cotter pin	1
L80	89-46		9003326-0005	Key	1
L90	89-46		9700189	Slotted nut, 1.25-18	1
L100	89-46		346601	Shaft, 1.75" tapered	1

Order code: T7

L90	98-19		508784	Self locking nut, M30	1
L100	98-19		511619	Shaft 1.75" tapered, no keyway	1
L500	98-19		511628	Washer	1

Shaft C4-TN

Parts Configuration



* = included in overhaul seal kit Q210

Shaft C4-TN*Order code: TH*

Item	Date begin	Date end	Part number	Part name	Qty. per model/kit
L90	89-46		508784	Self locking nut, M30	1
L100	89-46		508592	Shaft, 1.75 tapered, no keyway	1
L600	89-46		510969	Coupling	1

Order code: TK

L90	06-13		508784	Self locking nut, M30	1
L100	06-13		511619	Shaft, 1.75 tapered, no keyway	1
L200	06-13		511463	Tapered flange	1
L500	06-13		511628	Washer	1

Order code: TN

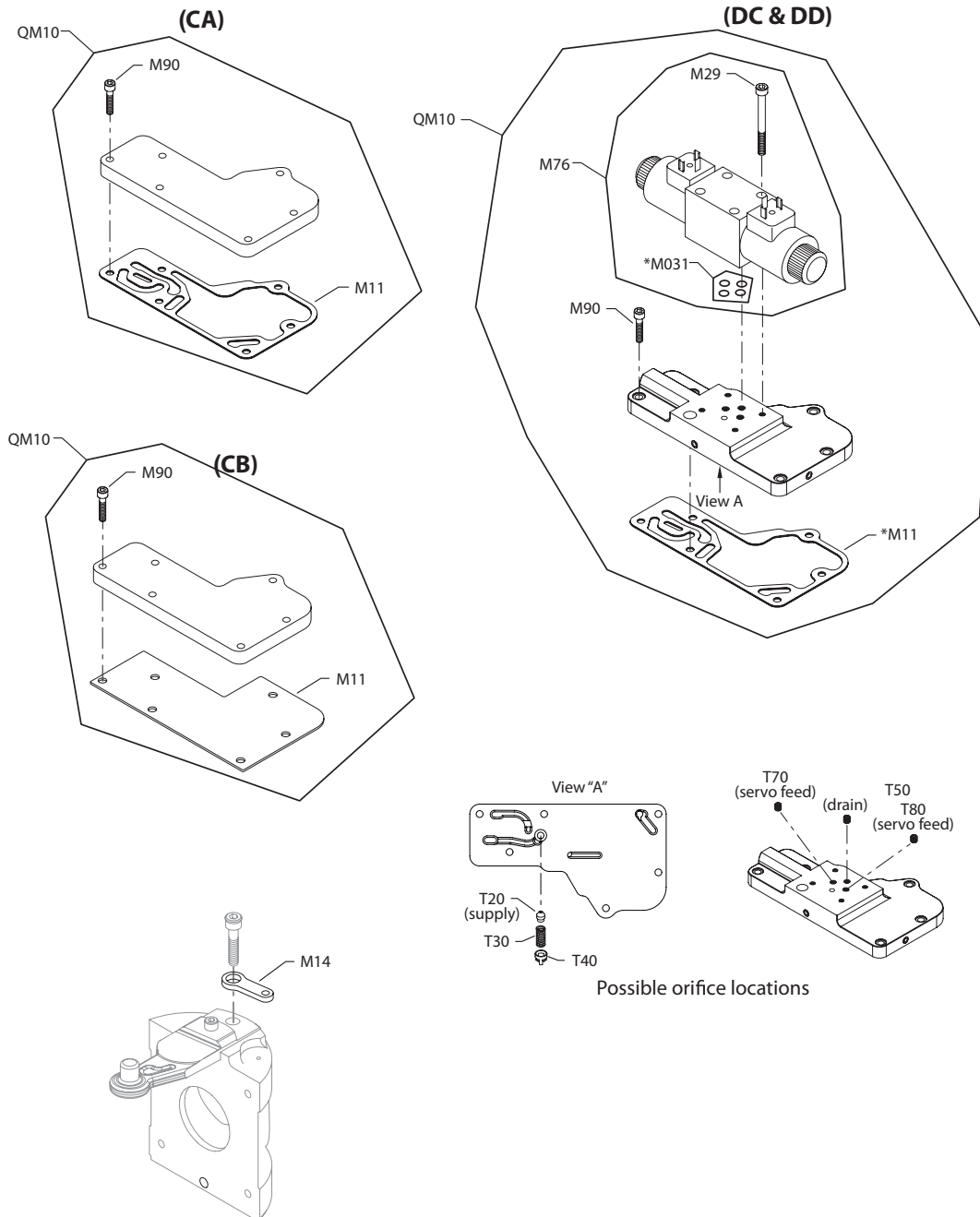
L90	06-29		508784	Self locking nut, M30	1
L100	06-29		11010697	Shaft, 1.75 tapered, no keyway, special*	1
L500	06-29		511628	Washer	1

* Used with 8E, 8F or 8J end cap option only.

Control

Control CA-DD

Parts configuration



Generic swashplate used to show link location only

All orifices present in the original control must be transferred to the replacement control. If replacement control contains pre-installed orifices, remove and discard them before transferring existing orifices to new control.

* = included in overhaul seal kit QM210

Control CA-DD*Order code: CA*

Item	Date begin	Date end	Part number	Part name	Qty. per model/kit
M11	89-41		8800923	Control gasket	1
M90	89-41		693341 (9007314-0606)	Screw	6
QM10	89-41		8102M0CA-A	Control cover plate kit	1

Order code: CB

M11	89-41		8800923	Control gasket	1
M14	89-41		1107307	Feedback link	1
M90	89-41		693341 (9007314-0606)	Screw	6
QM10	89-41		8102M0CA-A	Control cover plate kit	1

Order code: CF

M11	89-41		509718	Control gasket	1
M14	89-41		11070307	Feedback link	1
M90	89-41		693341 (9007314-0606)	Screw	6
QM10	89-41		11097111	Control cover plate kit	1

Order code: DC

M11	89-41		8800923	Control gasket	1
M29	89-41		035592	Screw	4
M76	89-41		687103	Valve assembly, 12 volt	1
M90	89-41		693341 (9007314-0606)	Screw	6
QM031	89-41		11099647	Valve seal kit	1
QM10	89-41		8102M0DC-A	3-position, FNR control kit, 12 volt	1
QM210	89-41		11096172	FNR control seal kit	1

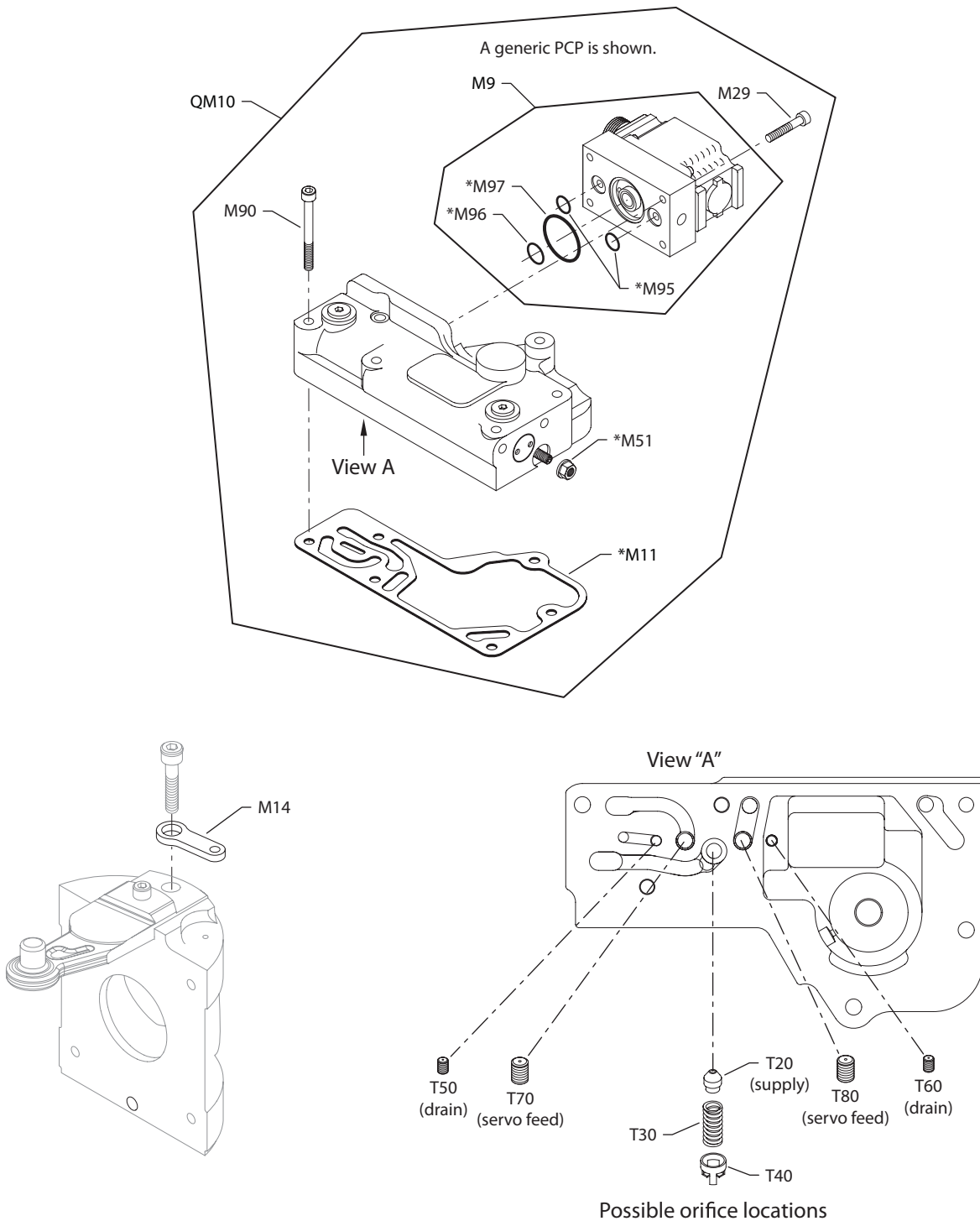
Order code: DD

M11	89-41		8800923	Control gasket	1
M29	89-41		035592	Screw	4
M76	89-41		549907/P	Valve assembly, 24 volt	1
M90	89-41		693341 (9007314-0606)	Screw	6
QM031	89-41		11099647	Valve seal kit	1
QM10	89-41		8102M0DD-A	3-position, FNR control kit, 24 volt	1
QM210	89-41		11096172	FNR control seal kit	1

Control EA

Parts configuration

(EA)



Generic swashplate used to show link location only

All orifices present in the original control must be transferred to the replacement control. If replacement control contains pre-installed orifices, remove and discard them before transferring existing orifices to new control.

* = included in overhaul seal kit QM210

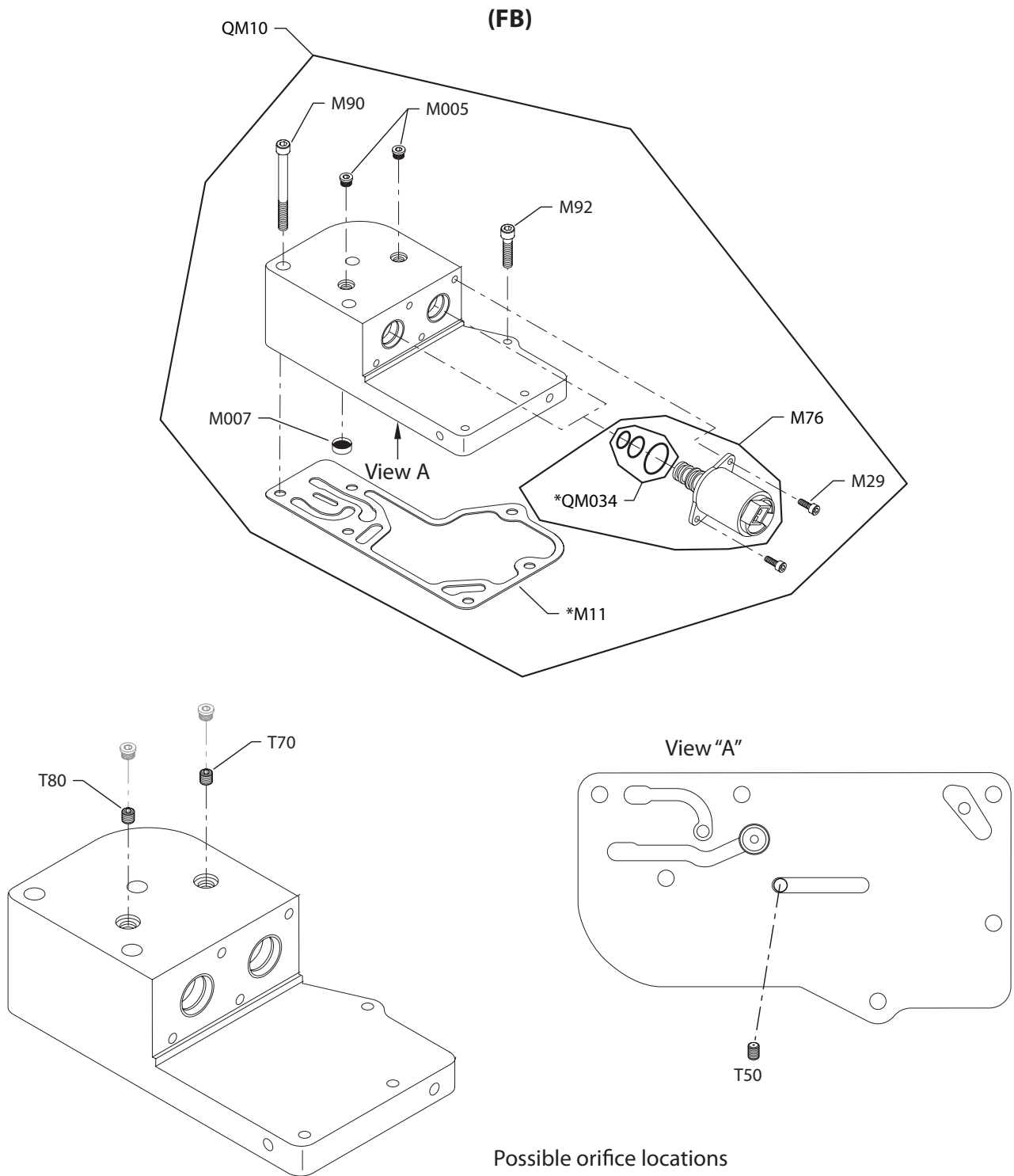
Control EA

Order code: EA

Item	Date begin	Date end	Part number	Part name	Qty. per model/kit
M9	92-19		MCV110A1017	PCP, MS connector	1
M11	92-19		8800923	Control gasket	1
M14	92-19		11070307	Feedback link	1
M29	92-19		K07067	Screw	4
M51	92-19		9003509-0008	Seal nut	1
M90	92-19		692889 (9007314-0611)	Screw	6
M95	92-19		318337 (9004104-0120)	O-ring	2
M96	92-19		011304 (9004104-140)	O-ring	1
M97	92-19		318345 (9004104-240)	O-ring	1
QM10	92-19		8202M0EA-B	EDC1 kit, MS connector	1
QM210	92-19		11096174	EDC1 seal kit	1

Control FB

Parts configuration



Generic swashplate used to show link location only

All orifices present in the original control must be transferred to the replacement control. If replacement control contains pre-installed orifices, remove and discard them before transferring existing orifices to new control.

* = included in overhaul seal kit QM210

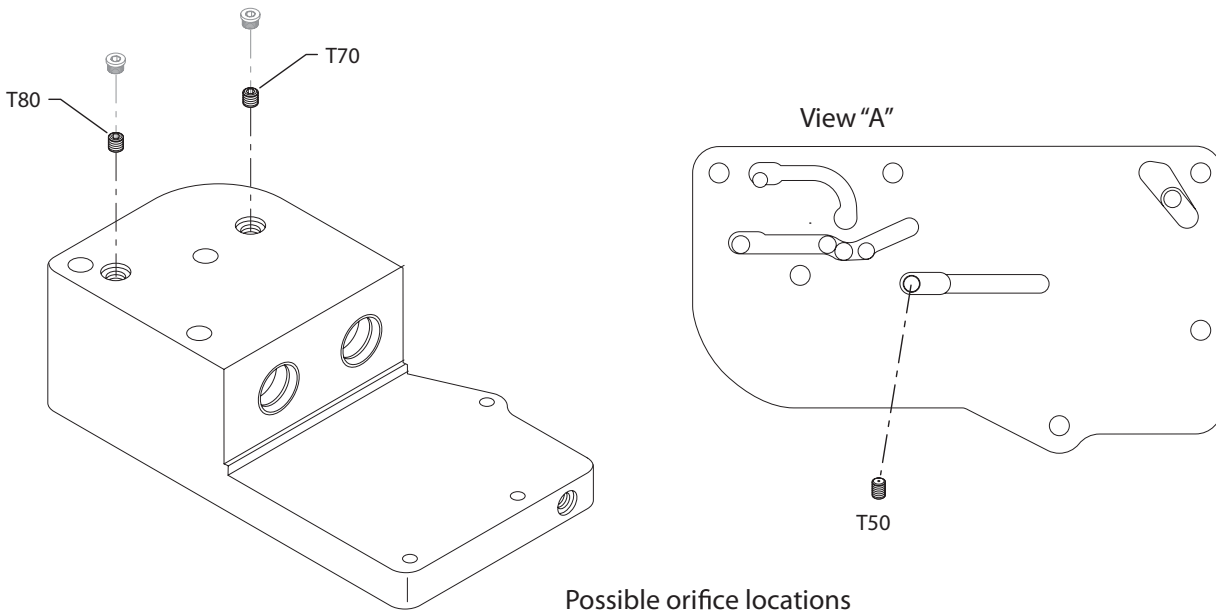
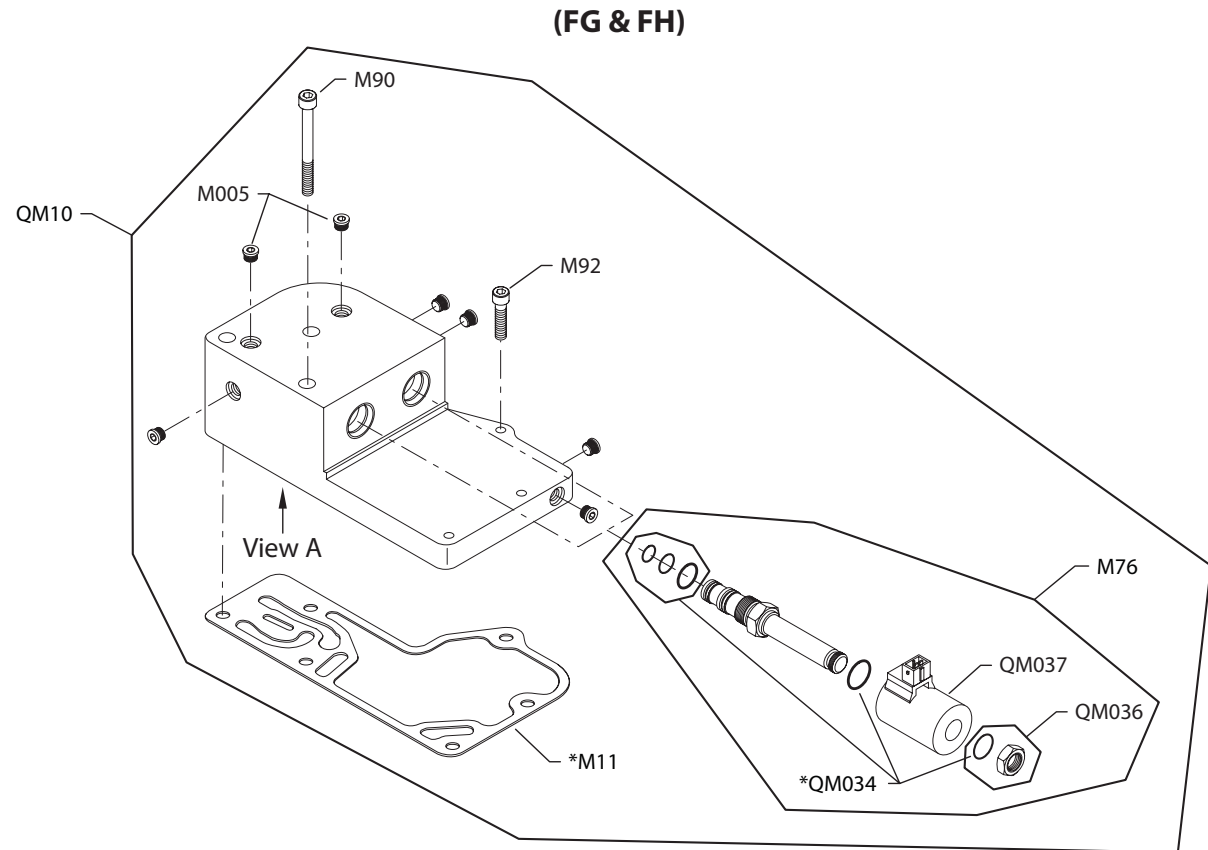
Control FB

Order code: FB

Item	Date begin	Date end	Part number	Part name	Qty. per model/kit
M11	96-41		8800923	Control gasket	1
M29	96-41		067694	Screw	4
M76	96-41		518081	Solenoid valve, 24 volt, 25 bar	2
M90	96-41		9007314-0614	Screw	3
M92	96-41		693341 (9007314-0606)	Screw	3
M005	96-41		11040532	Plug assembly	2
M007	96-41		K00775	Filter screen	1
QM10	96-41		11015080	NFPE control kit	1
QM034	96-41		11099849	Valve seal kit	2
QM210	96-41		11100028	NFPE control seal kit	1

Control FG-FH

Parts configuration



All orifices present in the original control must be transferred to the replacement control. If replacement control contains pre-installed orifices, remove and discard them before transferring existing orifices to new control.

* = included in overhaul seal kit QM210

Control FG-FH

Order code: FG

Item	Date begin	Date end	Part number	Part name	Qty. per model/kit
M11	00-30		8800923	Control gasket	1
M76	00-30		516006	Pressure reducing valve, 32 bar	2
M90	00-30		9007314-0614	Screw	3
M92	00-30		693341 (9007314-0606)	Screw	3
M005	00-30		11040532	Plug assembly	2
QM10	00-30		11026563	NFPE control kit, 12 volt, 32 bar	1
QM034	00-30		11100185	Valve seal kit	2
QM036	00-30		518088	Nut with O-ring	2
QM037	00-30		516003	Coil, 12 volt, Jet connector	2
QM210	00-30		11100001	NFPE control seal kit	1

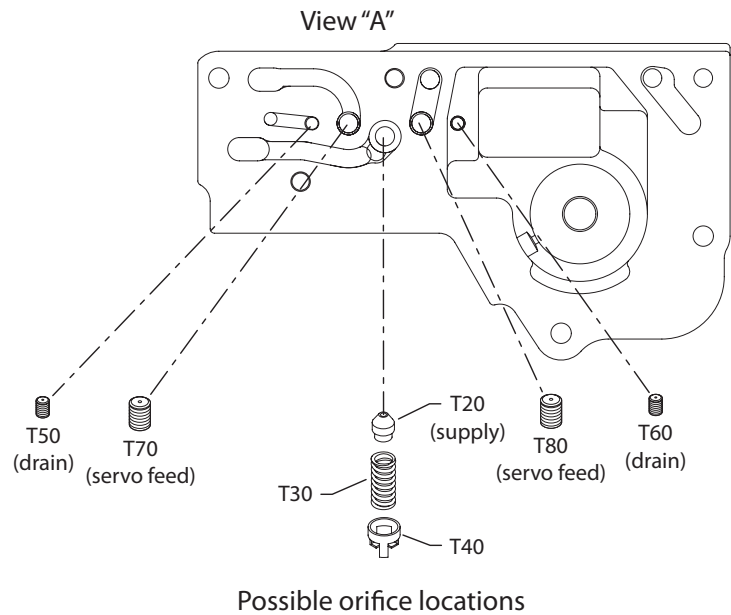
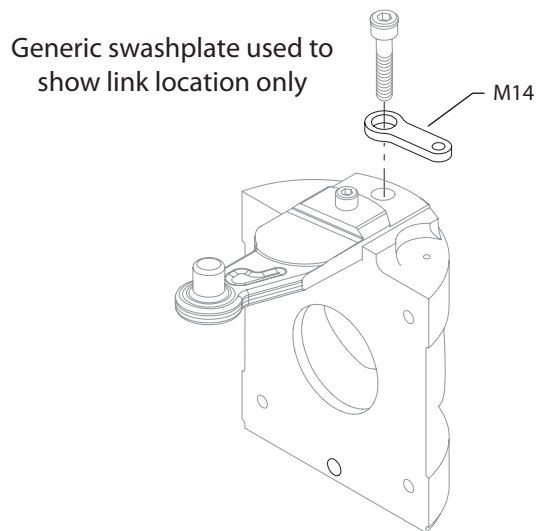
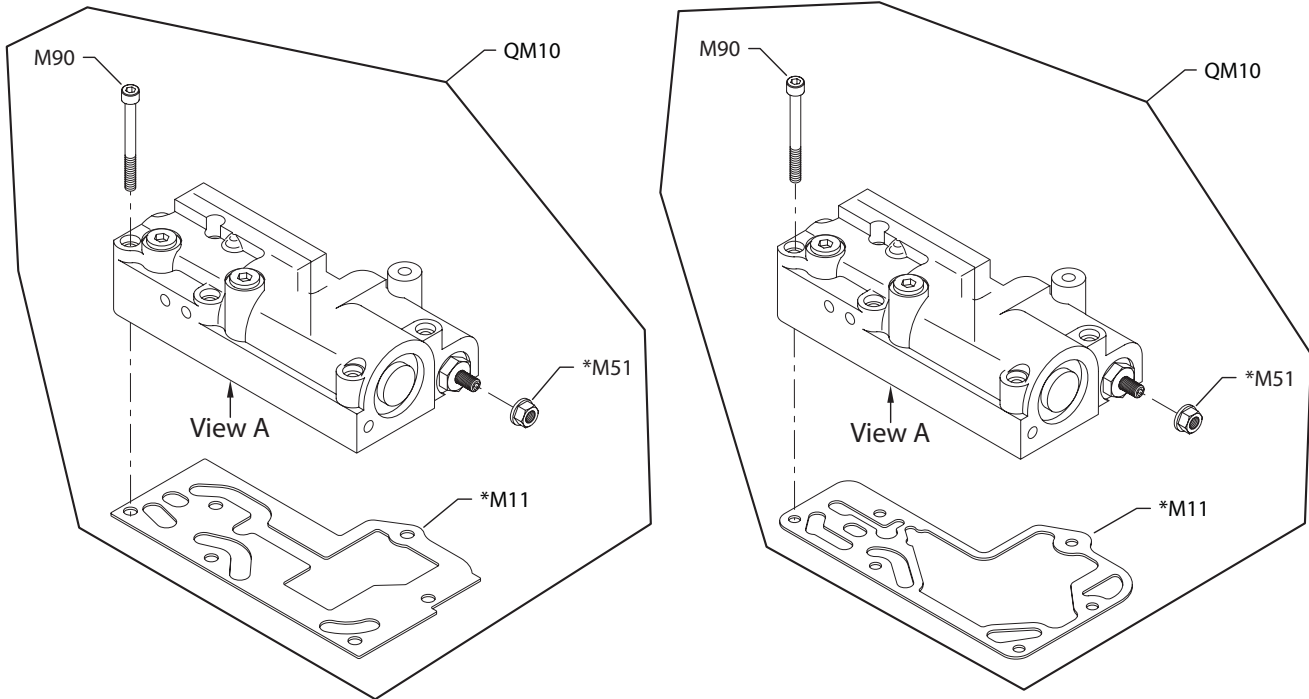
Order code: FH

M11	00-30		8800923	Control gasket	1
M76	00-30		515617	Pressure reducing valve, 24 volt, 32 bar	2
M90	00-30		9007314-0614	Screw	3
M92	00-30		693341 (9007314-0606)	Screw	3
M005	00-30		11040532	Plug assembly	2
QM10	00-30		11026569	NFPE control kit, 24 volt, 32 bar	1
QM034	00-30		11100185	Valve seal kit	2
QM036	00-30		518088	Nut with O-ring	2
QM037	00-30		516004-B	Coil, 24 volt, Jet connector	2
QM210	00-30		11100001	NFPE control seal kit	1

Control HF-HS

Parts configuration

(HF, HK, HM & HS)



All orifices present in the original control must be transferred to the replacement control. If replacement control contains pre-installed orifices, remove and discard them before transferring existing orifices to new control.

* = included in overhaul seal kit QM210

Control HF-HS*Order code: HD*

Item	Date begin	Date end	Part number	Part name	Qty. per model/kit
M11	96-17		8801241	Control gasket	1
M14	96-17		11070307	Feedback link	1
M51	96-17		9003509-0008	Seal nut	1
M90	96-17		692889 (9007314-0611)	Screw	6
QM10	96-17		8510164	HDC2 kit, 6-18 bar	1
QM210	96-17		11096265	Control seal kit	1

Order code: HF

M11	96-17		8801241	Control gasket (<i>SB-1999-065A</i> on page 239)	1
M14	96-17		11070307	Feedback link	1
M51	96-17		9003509-0008	Seal nut	1
M90	96-17		692889 (9007314-0611)	Screw	6
QM10	96-17		8302M0HF-A	HDC2 kit, 3-11 bar	1
QM210	96-17		11096266	Control seal kit	1

Order code: HK

M11	04-49		8801241	Control gasket (<i>SB-1999-065A</i> on page 239)	1
M14	04-49		11070307	Feedback link	1
M51	04-49		9003509-0008	Seal nut	1
M90	04-49		692889 (9007314-0611)	Screw	6
QM10	04-49		8302M0HK-A	HDC2 kit, 1-11 bar	1
QM210	04-49		11096266	Control seal kit	1

Order code: HM

M11	98-27		8801241	Control gasket (<i>SB-1999-065A</i> on page 239)	1
M14	98-27		11070307	Feedback link	1
M51	98-27		9003509-0008	Seal nut	1
M90	98-27		692889 (9007314-0611)	Screw	6
QM10	98-27		8302M0HM-A	HDC kit, 1.1-6.7 bar	1
QM210	98-27		11096266	Control seal kit	1

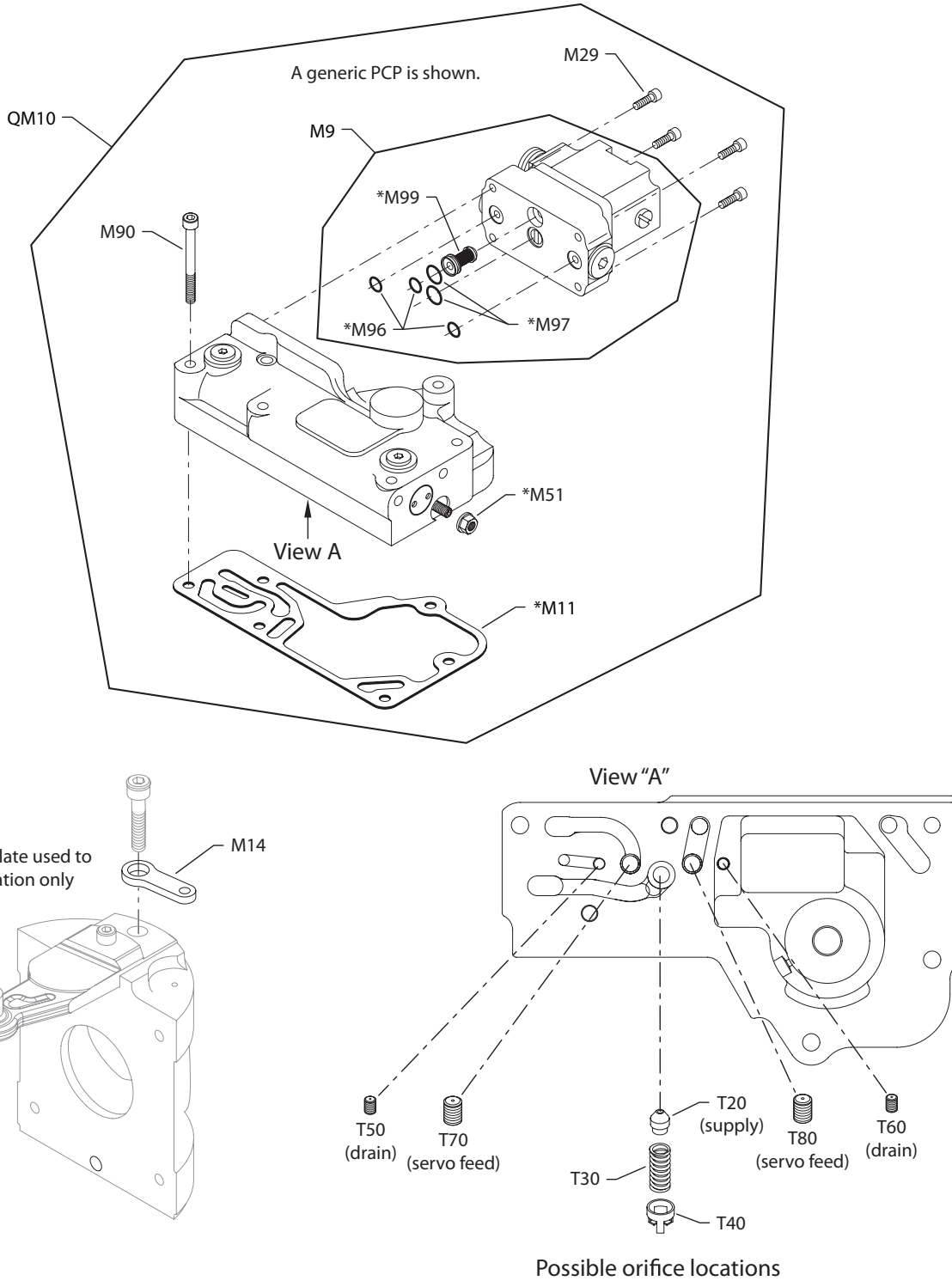
Order code: HS

M11	98-27		8801241	Control gasket (<i>SB-1999-065A</i> on page 239)	1
M14	98-27		11070307	Feedback link	1
M51	98-27		9003509-0008	Seal nut	1
M90	98-27		692889 (9007314-0611)	Screw	6
QM10	98-27		11013640	HDC kit	1
QM210	98-27		11096266	Control seal kit	1

Control K7-KB

Parts configuration

(K7, K8, KA & KB)



All orifices present in the original control must be transferred to the replacement control. If replacement control contains pre-installed orifices, remove and discard them before transferring existing orifices to new control.

* = included in overhaul seal kit QM210

Control K7-KB*Order code: K7*

Item	Date begin	Date end	Part number	Part name	Qty. per model/kit
M9	13-36		11375138	PCP, MS connector, single coil (<i>SB: HY2026-004</i> on page 252)	1
M11	13-36		88000923	Control gasket	1
M14	13-36		11070307	Feedback link	1
M29	13-36		K07067	Screw	4
M51	13-36		9003509-0008	Seal nut	1
M90	13-36		692889 (9007314-0611)	Screw	6
M96	13-36		011296 (9004105-0120)	O-ring	3
M97	13-36		784686 (9004105-0130)	O-ring	1
M99	13-36		K08572	Filter assembly	1
QM10	13-36		11139996	EDC3 kit, MS connector, single coil	1
QM210	13-36		11096265	EDCS seal kit	1

Order code: K8

M9	14-14		11101106	PCP, MS connector, dual coil	1
M11	14-14		88000923	Control gasket	1
M14	14-14		11070307	Feedback link	1
M29	14-14		K07067	Screw	4
M51	14-14		9003509-0008	Seal nut	1
M90	14-14		692889 (9007314-0611)	Screw	6
M96	14-14		011296 (9004105-0120)	O-ring	3
M97	14-14		784686 (9004105-0130)	O-ring	1
M99	14-14		K08572	Filter assembly	1
QM10	14-14		11140005	EDC kit, MS connector	1
QM210	14-14		11096265	EDCS seal kit	1

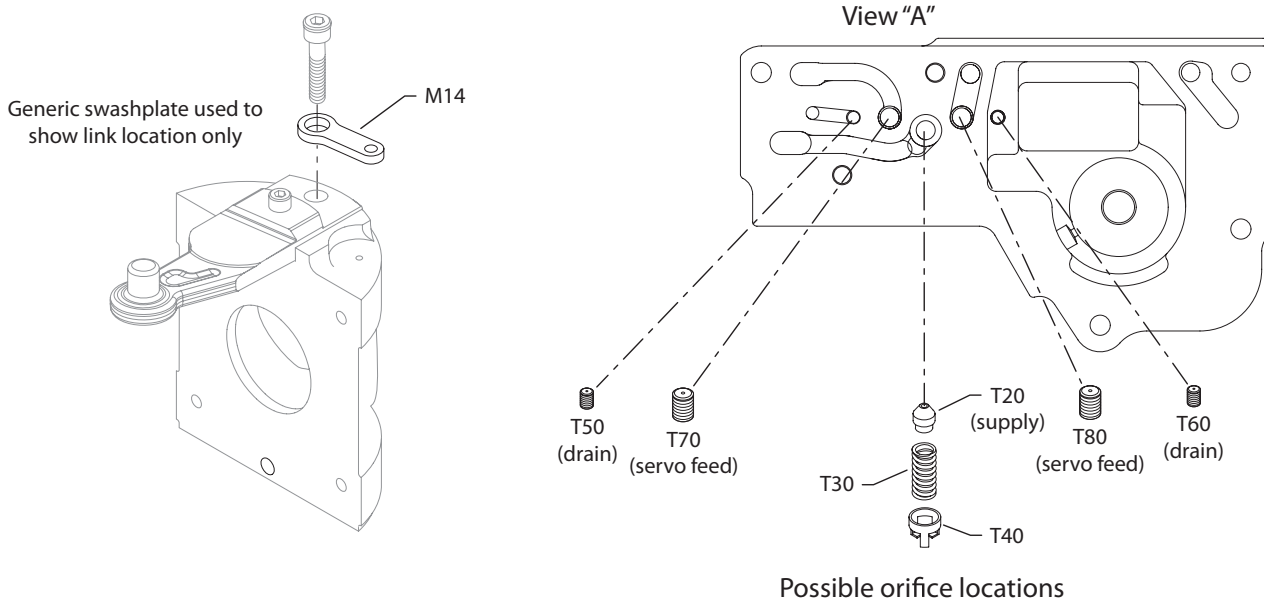
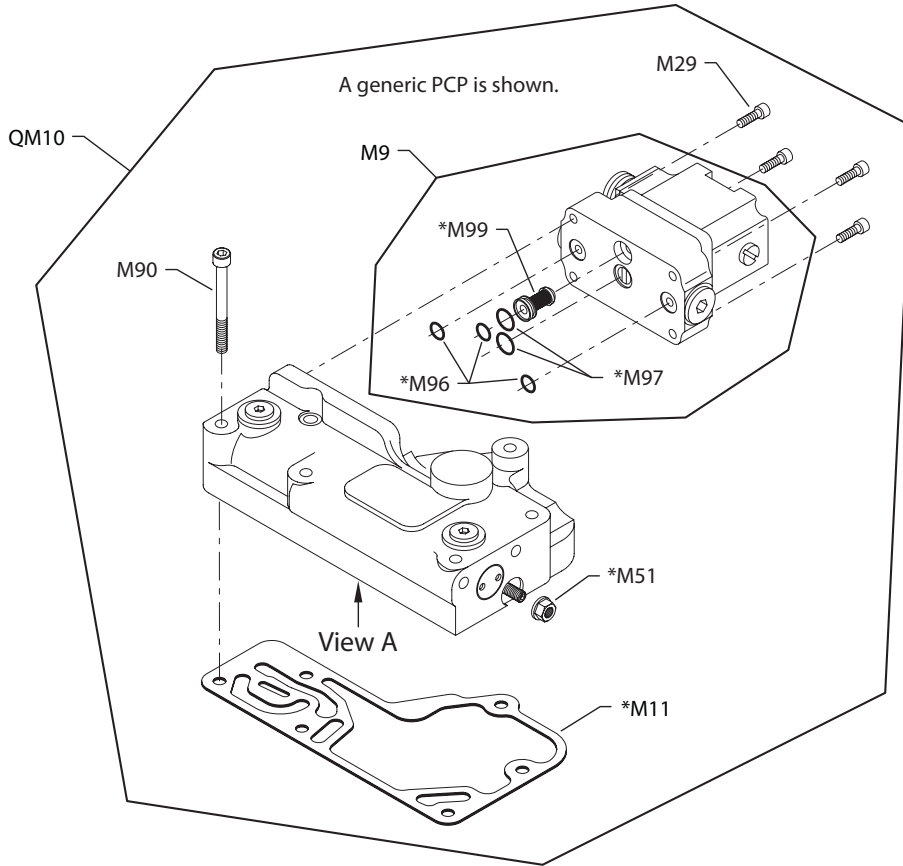
Order code: KA

M9	98-42		MCV116G4201	PCP, MS connector, dual coil	1
M11	98-42		88000923	Control gasket	1
M14	98-42		11070307	Feedback link	1
M29	98-42		K07067	Screw	4
M51	98-42		9003509-0008	Seal nut	1
M90	98-42		692889 (9007314-0611)	Screw	6
M96	98-42		011296 (9004105-0120)	O-ring	3
M97	98-42		784686 (9004105-0130)	O-ring	1
M99	98-42		K08572	Filter assembly	1
QM10	98-42		8510119	EDC3 kit, MS connector, dual coil	1
QM210	98-42		11096265	EDCS seal kit	1

Control K7-KB

Parts configuration

(K7, K8, KA & KB)



All orifices present in the original control must be transferred to the replacement control. If replacement control contains pre-installed orifices, remove and discard them before transferring existing orifices to new control.

* = included in overhaul seal kit QM210

Control K7-KB

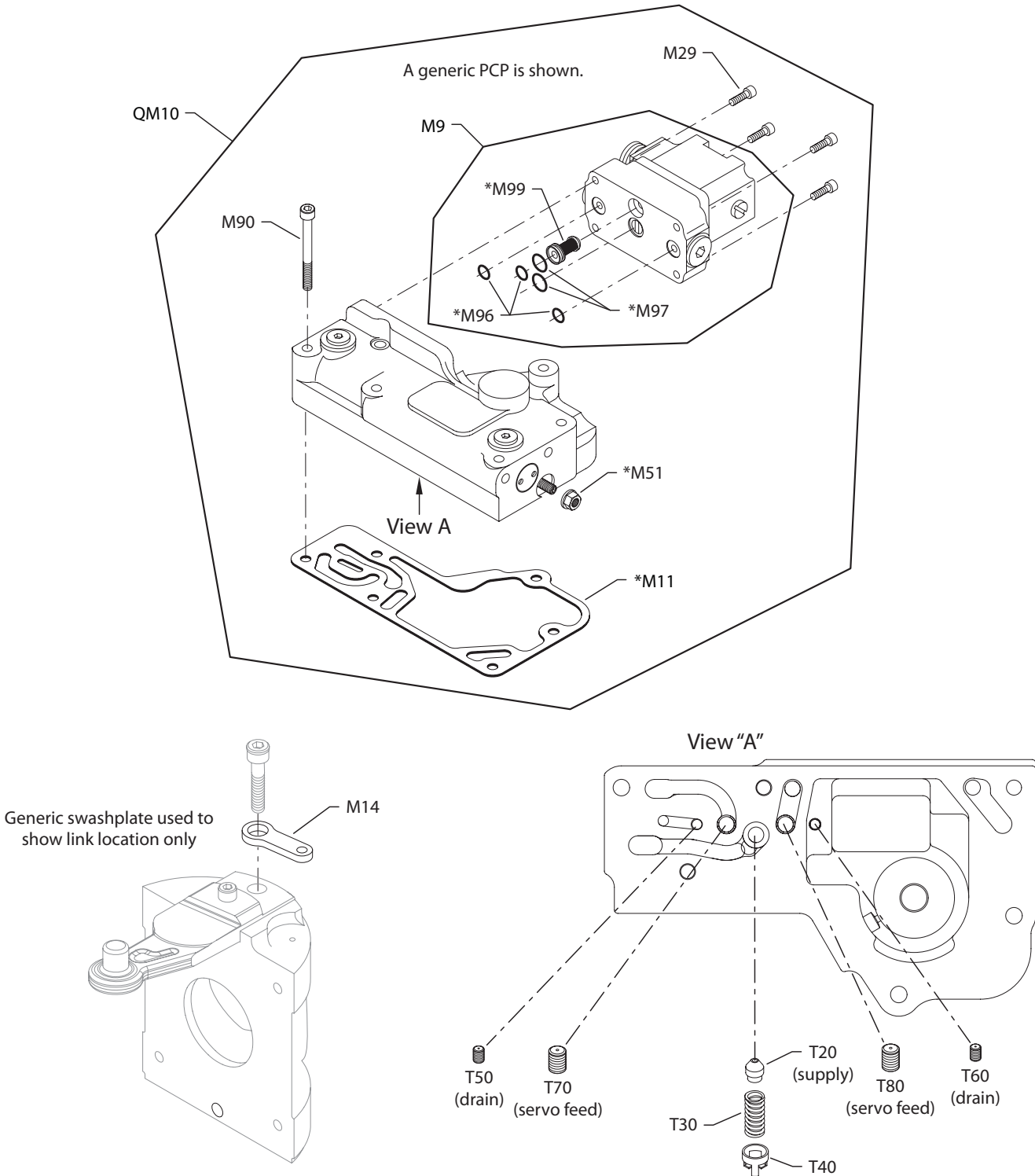
Order code: KB

Item	Date begin	Date end	Part number	Part name	Qty. per model kit
M9	15-23		11164284	PCP, dual coil	1
M11	15-23		88000923	Control gasket	1
M14	15-23		11070307	Feedback link	1
M29	15-23		K07067	Screw	4
M51	15-23		9003509-0008	Seal nut	1
M90	15-23		692889 (9007314-0611)	Screw	6
M96	15-23		011296 (9004105-0120)	O-ring	3
M97	15-23		784686 (9004105-0130)	O-ring	1
M99	15-23		K08572	Filter assembly	1
QM10	15-23		11165650	EDC kit, Deutsch connector	1
QM210	15-23		11096265	EDCS seal kit	1

Control KC-KM

Parts configuration

(KC, KE, KK & KM)



All orifices present in the original control must be transferred to the replacement control. If replacement control contains pre-installed orifices, remove and discard them before transferring existing orifices to new control.

* = included in overhaul seal kit QM210

Control KC-KM*Order code: KC*

Item	Date begin	Date end	Part number	Part name	Qty. per model/kit
M9	00-44	14-38	MCV116C1401	PCP, MS connector, dual coil	1
M11	00-44	14-38	8800923	Control gasket	1
M14	00-44	14-38	11070307	Feedback link	1
M29	00-44	14-38	K07067	Screw	4
M51	00-44	14-38	9003509-0008	Seal nut	1
M90	00-44	14-38	692889 (9007314-0611)	Screw	6
M96	00-44	14-38	011296 (9004105-0120)	O-ring	3
M97	00-44	14-38	784686 (9004105-0130)	O-ring	1
M99	00-44	14-38	K08572	Filter assembly	1
QM10	00-44	14-38	11018293	EDC kit, Deutsch connector	1
QM210	00-44	14-38	11095724	EDCS seal kit	1

Order code: KE

M9	03-27		MCV116F3118	PCP, Deutsch connector	1
M11	03-27		8800923	Control gasket	1
M14	03-27		11070307	Feedback link	1
M29	03-27		K07067	Screw	4
M51	03-27		9003509-0008	Seal nut	1
M90	03-27		692889 (9007314-0611)	Screw	6
M96	03-27		011296 (9004105-0120)	O-ring	3
M97	03-27		784686 (9004105-0130)	O-ring	1
M99	03-27		K08572	Filter assembly	1
QM10	03-27		8510324	EDC kit, Deutsch connector	1
QM210	03-27		11095724	EDCS seal kit	1

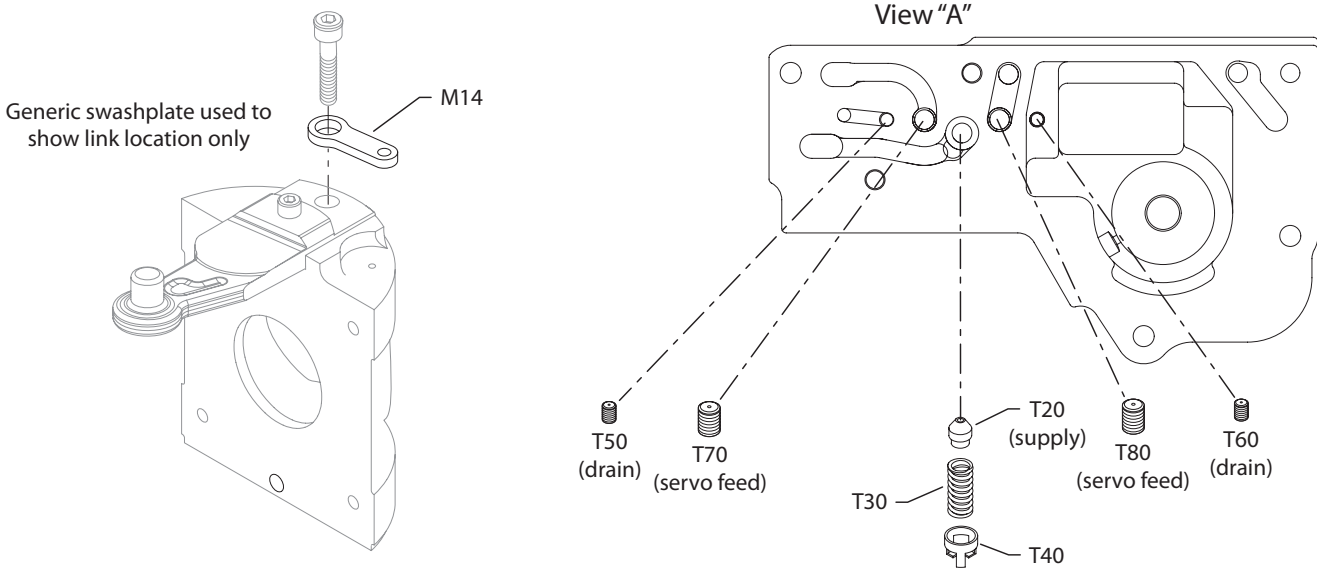
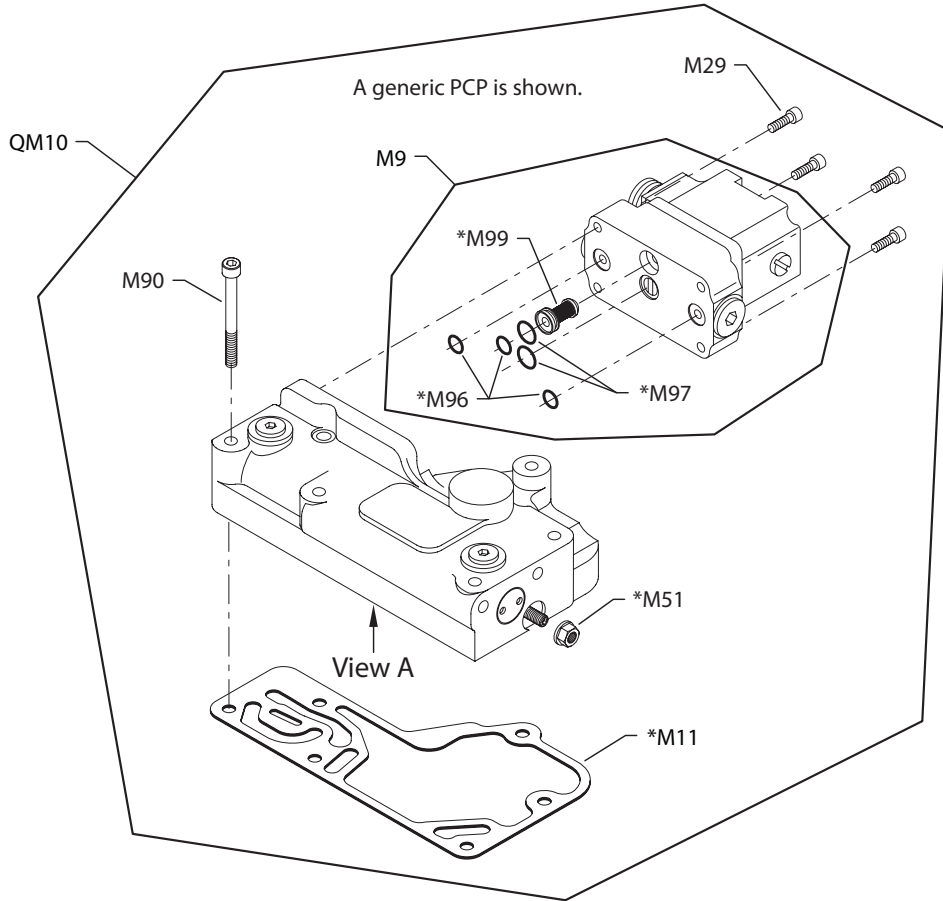
Order code: KK

M9	03-27		MCV116G4211	PCP, Deutsch connector	1
M11	03-27		8800923	Control gasket	1
M14	03-27		11070307	Feedback link	1
M29	03-27		K07067	Screw	4
M51	03-27		9003509-0008	Seal nut	1
M90	03-27		692889 (9007314-0611)	Screw	6
M96	03-27		011296 (9004105-0120)	O-ring	3
M97	03-27		784686 (9004105-0130)	O-ring	1
M99	03-27		K08572	Filter assembly	1
QM10	03-27		11072974	EDC kit, Deutsh connector	1
QM210	03-27		11095724	EDCS seal kit	1

Control KC-KM

Parts configuration

(KC, KE, KK & KM)



All orifices present in the original control must be transferred to the replacement control. If replacement control contains pre-installed orifices, remove and discard them before transferring existing orifices to new control.

* = included in overhaul seal kit QM210

Control KC-KM

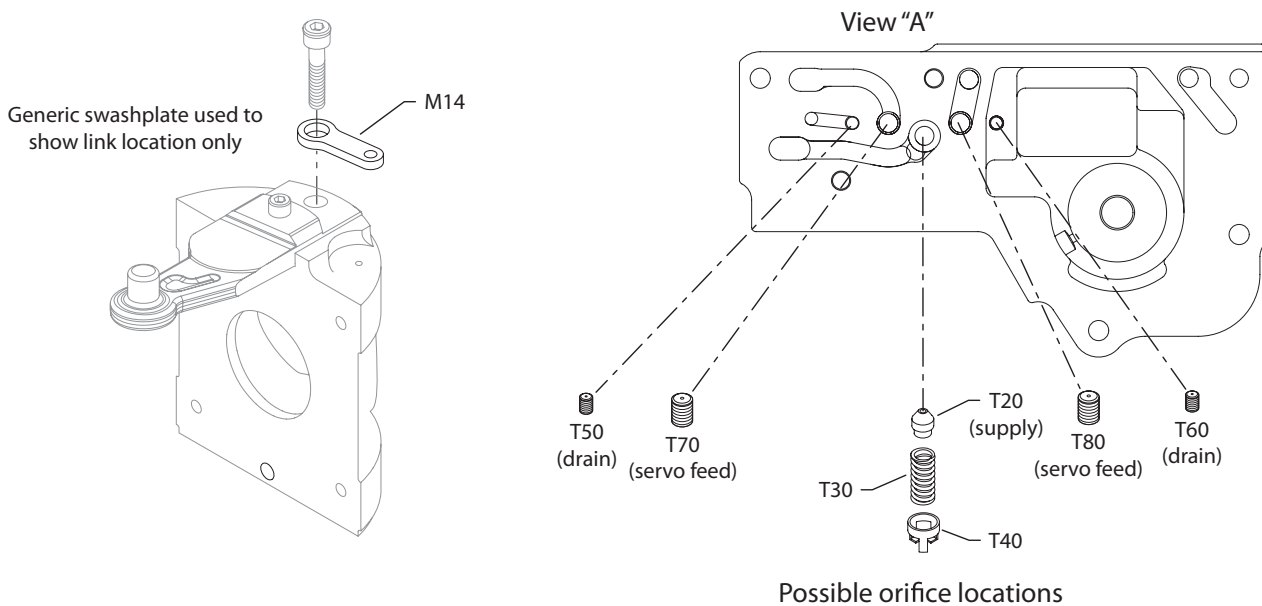
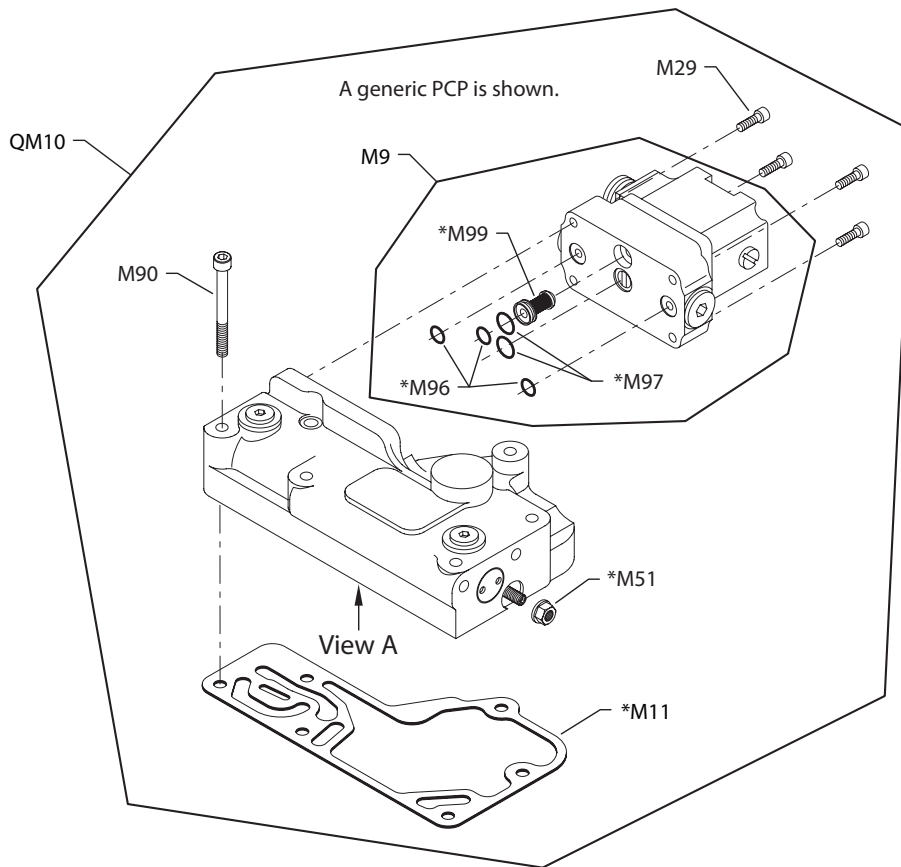
Order code: KM

Item	Date begin	Date end	Part number	Part name	Qty. per model/kit
M9	98-42		MCV116G4213	PCP, 4-wire Metripak connector	1
M11	98-42		8800923	Control gasket	1
M14	98-42		11070307	Feedback link	1
M29	98-42		K07067	Screw	4
M51	98-42		9003509-0008	Seal nut	1
M90	98-42		692889 (9007314-0611)	Screw	6
M96	98-42		011296 (9004105-0120)	O-ring	3
M97	98-42		784686 (9004105-0130)	O-ring	1
M99	98-42		K08572	Filter assembly	1
QM10	98-42		8510242	EDC kit, 4-wire Metripak connector	1
QM210	98-42		11095724	EDCS seal kit	1

Control KN-KT

Parts configuration

(KN, KP & KT)



All orifices present in the original control must be transferred to the replacement control. If replacement control contains pre-installed orifices, remove and discard them before transferring existing orifices to new control.

* = included in overhaul seal kit QM210

Control KN-KT*Order code: KN*

Item	Date begin	Date end	Part number	Part name	Qty. per model/kit
M9	06-13		MCV116A3501	PCP, MS connector	1
M11	06-13		8800923	Control gasket	1
M14	06-13		11070307	Feedback link	1
M29	06-13		K07067	Screw	4
M51	06-13		9003509-0008	Seal nut	1
M90	06-13		692889 (9007314-0611)	Screw	6
M96	06-13		011296 (9004105-0120)	O-ring	3
M97	06-13		784686 (9004105-0130)	O-ring	1
M99	06-13		K08572	Filter assembly	1
QM10	06-13		11013631	EDC kit, MS connector	1
QM210	06-13		11095724	EDCS seal kit	1

Order code: KP

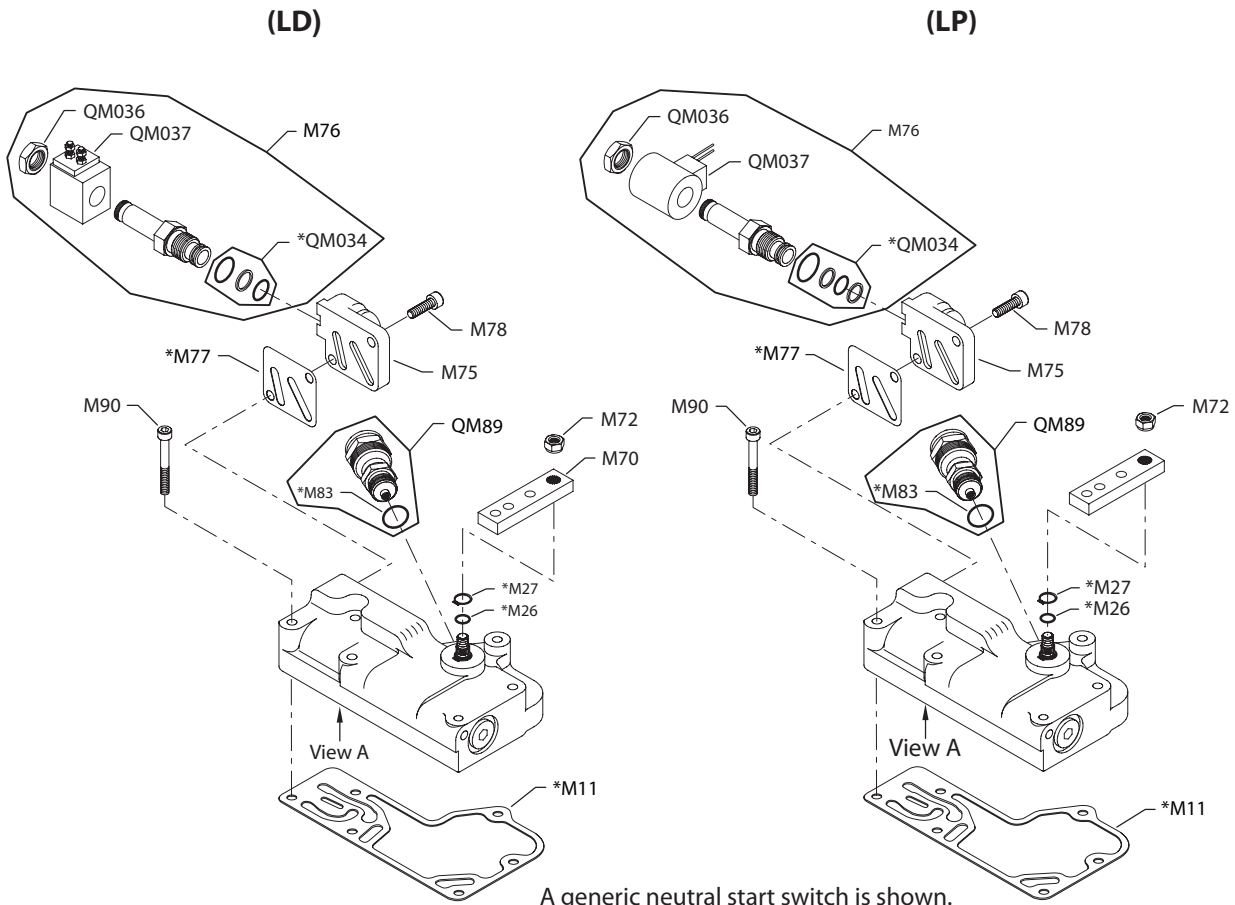
M9	95-26		MCV116G4204	PCP, Weather-pak connector, dual	1
M11	95-26		8800923	Control gasket	1
M14	95-26		11070307	Feedback link	1
M29	95-26		K07067	Screw	4
M51	95-26		9003509-0008	Seal nut	1
M90	95-26		692889 (9007314-0611)	Screw	6
M96	95-26		011296 (9004105-0120)	O-ring	3
M97	95-26		784686 (9004105-0130)	O-ring	1
M99	95-26		K08572	Filter assembly	1
QM10	95-26		8510120	EDC kit, Weather-pak connector, dual	1
QM210	95-26		11095724	EDCS seal kit	1

Order code: KT

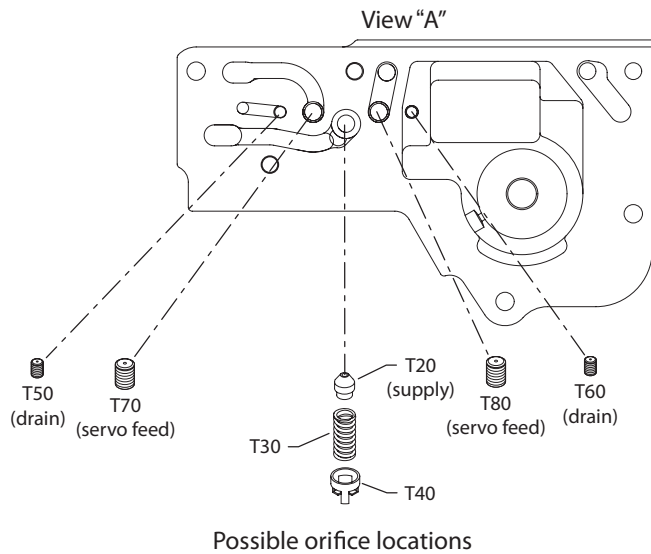
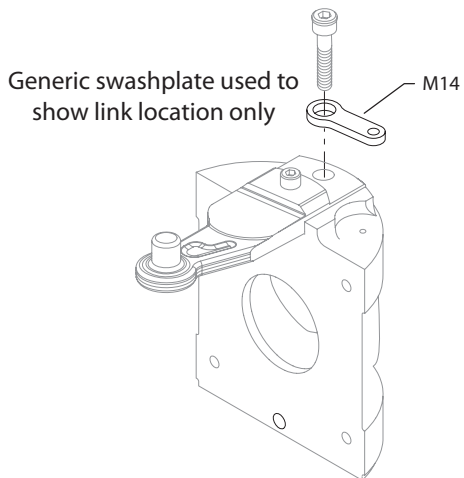
M9	06-19		MCV116G4214	PCP, Deutsch connector, dual, 4-pin	1
M11	06-19		8800923	Control gasket	1
M14	06-19		11070307	Feedback link	1
M29	06-19		K07067	Screw	4
M51	06-19		9003509-0008	Seal nut	1
M90	06-19		692889 (9007314-0611)	Screw	6
M96	06-19		011296 (9004105-0120)	O-ring	3
M97	06-19		784686 (9004105-0130)	O-ring	1
M99	06-19		K08572	Filter assembly	1
QM10	06-19		11051111	EDC kit, Deutsch connector, dual, 4-pin	1
QM210	06-19		11095724	EDCS seal kit	1

Control LD-LP

Parts configuration



A generic neutral start switch is shown.



* = included in overhaul seal kit QM210

Control LD-LP

Order code: LD

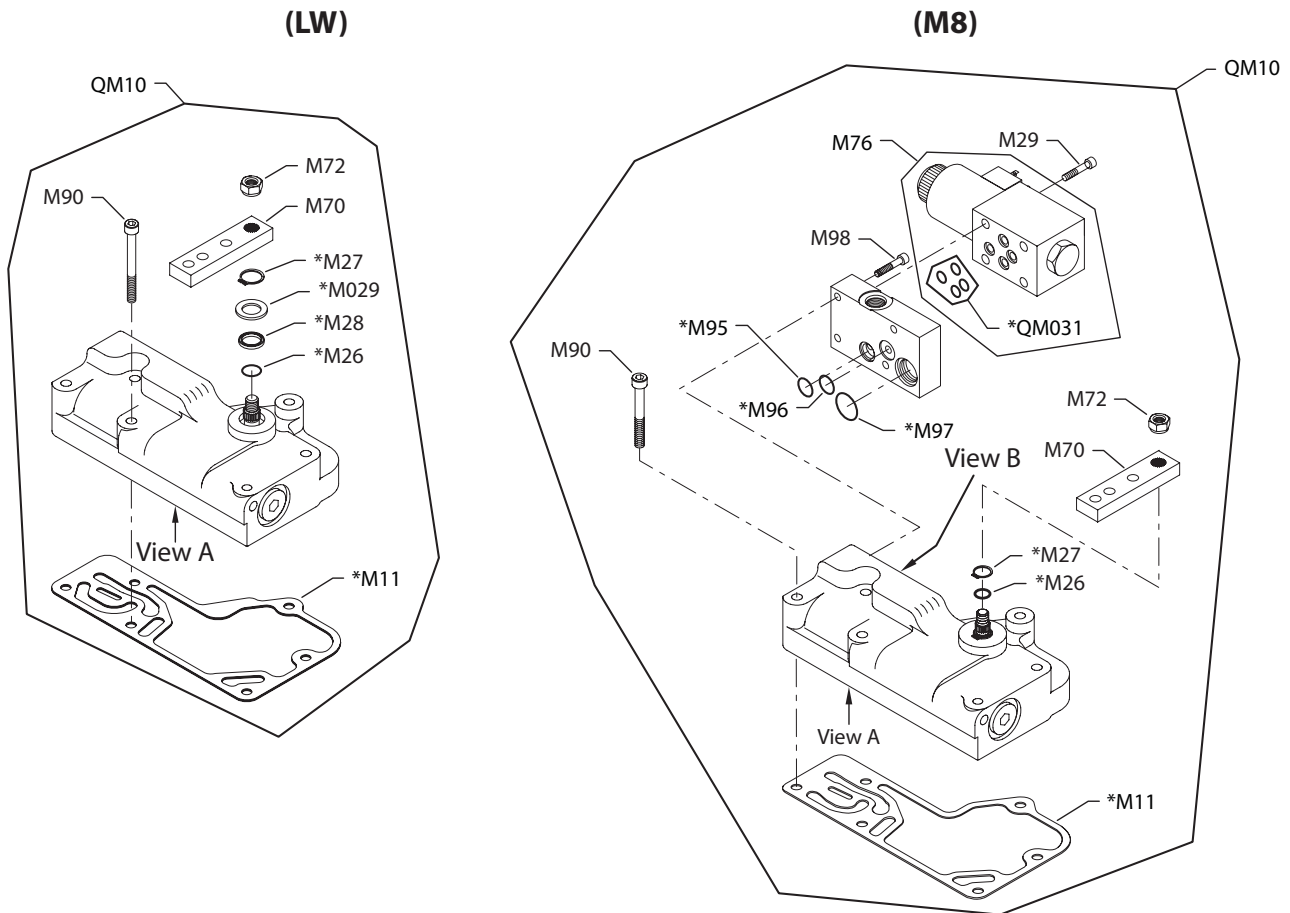
Item	Date begin	Date end	Part number	Part name	Qty. per model/kit
M11	98-49	12-50	8800923	Control gasket	1
M14	98-49	12-50	11070307	Feedback link	1
M26	98-49	12-50	144725 (9004105-0110)	O-ring	1
M27	98-49	12-50	9006300-0044	Retaining ring	1
M70	98-49	12-50	9800916	Control handle	1
M72	98-49	12-50	040642 (9003513-0800)	Nut	1
M75	98-49	12-50	505022	Control manifold	1
M76	98-49	12-50	326108 (9700886)	Solenoid valve, 12 volt, 2-pole	1
M77	98-49	12-50	8800882	Manifold gasket	1
M78	98-49	12-50	693341 (9007314-0606)	Screw	2
M83	98-49	12-50	009670 (9004201-5000)	O-ring	1
M90	98-49	12-50	692889 (9007314-0611)	Screw	6
QM89	98-49	12-50	8510027	Neutral start switch kit, high force	1
QM034	98-49	12-50	11099649	Valve seal kit	1
QM036	98-49	12-50	11100383	Nut	1
QM037	98-49	12-50	11100385	Coil, 12 volt	1
QM210	98-49	12-50	11100031	Control seal kit	1

Order code: LP

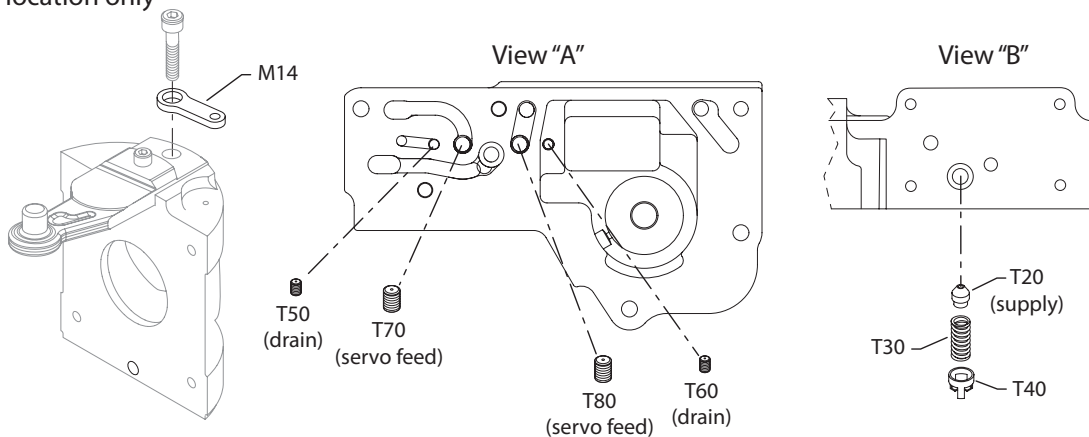
M11	04-50		8800923	Control gasket	1
M14	04-50		11070307	Feedback link	1
M26	04-50		144725 (9004105-0110)	O-ring	1
M27	04-50		9006300-0044	Retaining ring	1
M70	04-50		9800916	Control handle	1
M72	04-50		040642 (9003513-0800)	Nut	1
M75	04-50		505022	Control manifold	1
M76	04-50		521242	Solenoid valve, 12 volt, 2-pole	1
M77	04-50		8800882	Manifold gasket	1
M78	04-50		693341 (9007314-0606)	Screw	2
M83	04-50		001131 (9004201-5000)	O-ring	1
M90	04-50		692889 (9007314-0611)	Screw	6
QM89	04-50		8510316	Neutral start switch kit, high force, Weather-pak	1
QM034	04-50		11099649	Valve seal kit	1
QM036	04-50		11100383	Nut	1
QM037	04-50		11100386	Coil, 12 volt, Weather-pak	1
QM210	04-50		11099998	Control seal kit	1

Control LW-M8

Parts configuration



Generic swashplate used to show link location only



Possible orifice locations

All orifices present in the original control must be transferred to the replacement control. If replacement control contains pre-installed orifices, remove and discard them before transferring existing orifices to new control.

* = included in overhaul seal kit QM210

Control LW-M8

Order code: LW

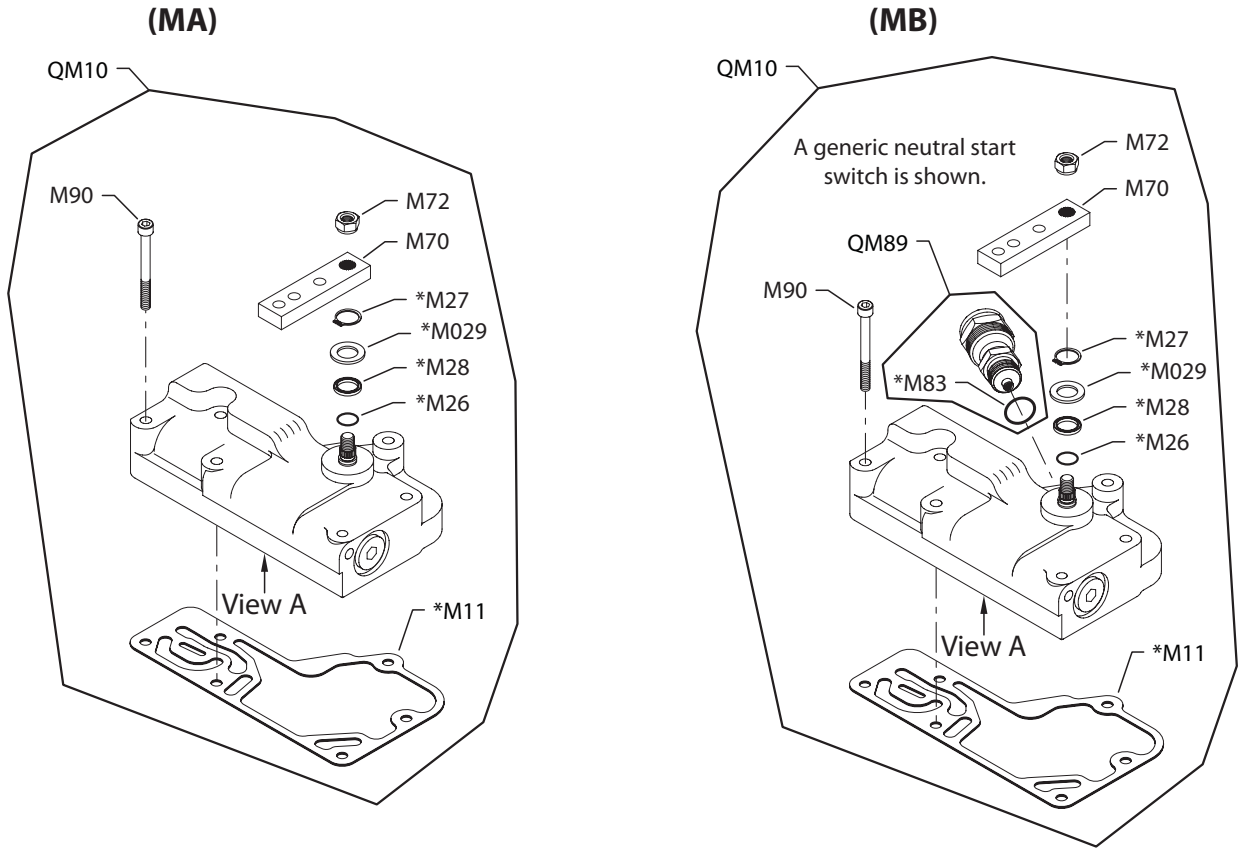
Item	Date begin	Date end	Part number	Part name	Qty. per model/kit
M11	12-07		8800923	Control gasket	1
M14	12-07		11070307	Feedback link	1
M26	12-07		144725 (9004105-0110)	O-ring	1
M27	12-07		042507	Retaining ring	1
M28	12-07		510690	Seal	1
M029	12-07		512047	Washer	1
M70	12-07		9800916	Control handle	1
M72	12-07		040642 (9003513-0800)	Nut	1
M90	12-07		692889 (9007314-0611)	Screw	6
QM10	12-07		11110671	MDC kit	1
QM210	12-07		11110668	Control seal kit	1

Order code: MB

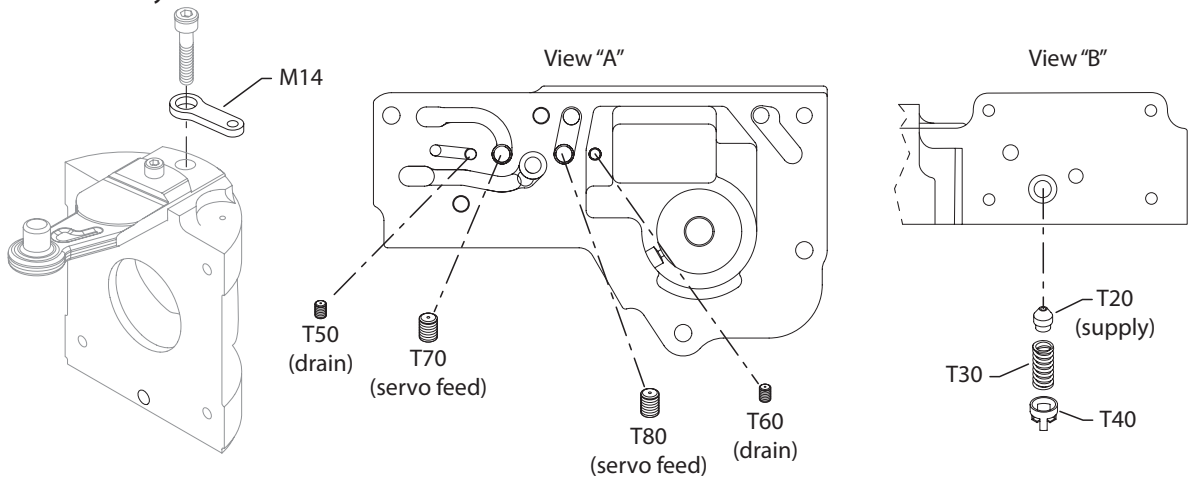
M11	97-24		8800923	Control gasket	1
M14	97-24		11070307	Feedback link	1
M26	97-24		144725 (9004105-0110)	O-ring	1
M27	97-24		9006300-0044	Retaining ring	1
M29	97-24		035592	Screw	4
M70	97-24		9800916	Control handle	1
M72	97-24		040642 (9003513-0800)	Nut	1
M76	97-24		519369	Solenoid valve	1
M90	97-24		692889 (9007314-0611)	Screw	6
M95	97-24		056713 (9007314-0140)	O-ring	1
M96	97-24		056713 (9007314-0140)	O-ring	1
M97	97-24		544742 (9004105-0190)	O-ring	1
M98	97-24		067686	Screw	4
QM10	97-24		11086407	Control kit, 2-position solenoid, 24-volt	1
QM031	97-24		11099647	Seal kit	1
QM210	97-24		11099978	Control seal kit	1

Control MA-MB

Parts configuration



Generic washplate used to show link location only



Possible orifice locations

All orifices present in the original control must be transferred to the replacement control. If replacement control contains pre-installed orifices, remove and discard them before transferring existing orifices to new control.

* = included in overhaul seal kit QM210

Control MA-MB*Order code: MA*

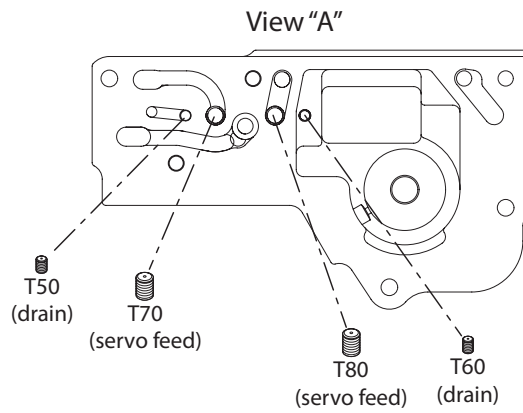
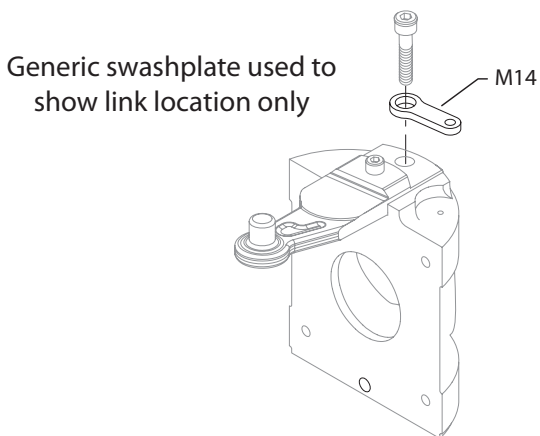
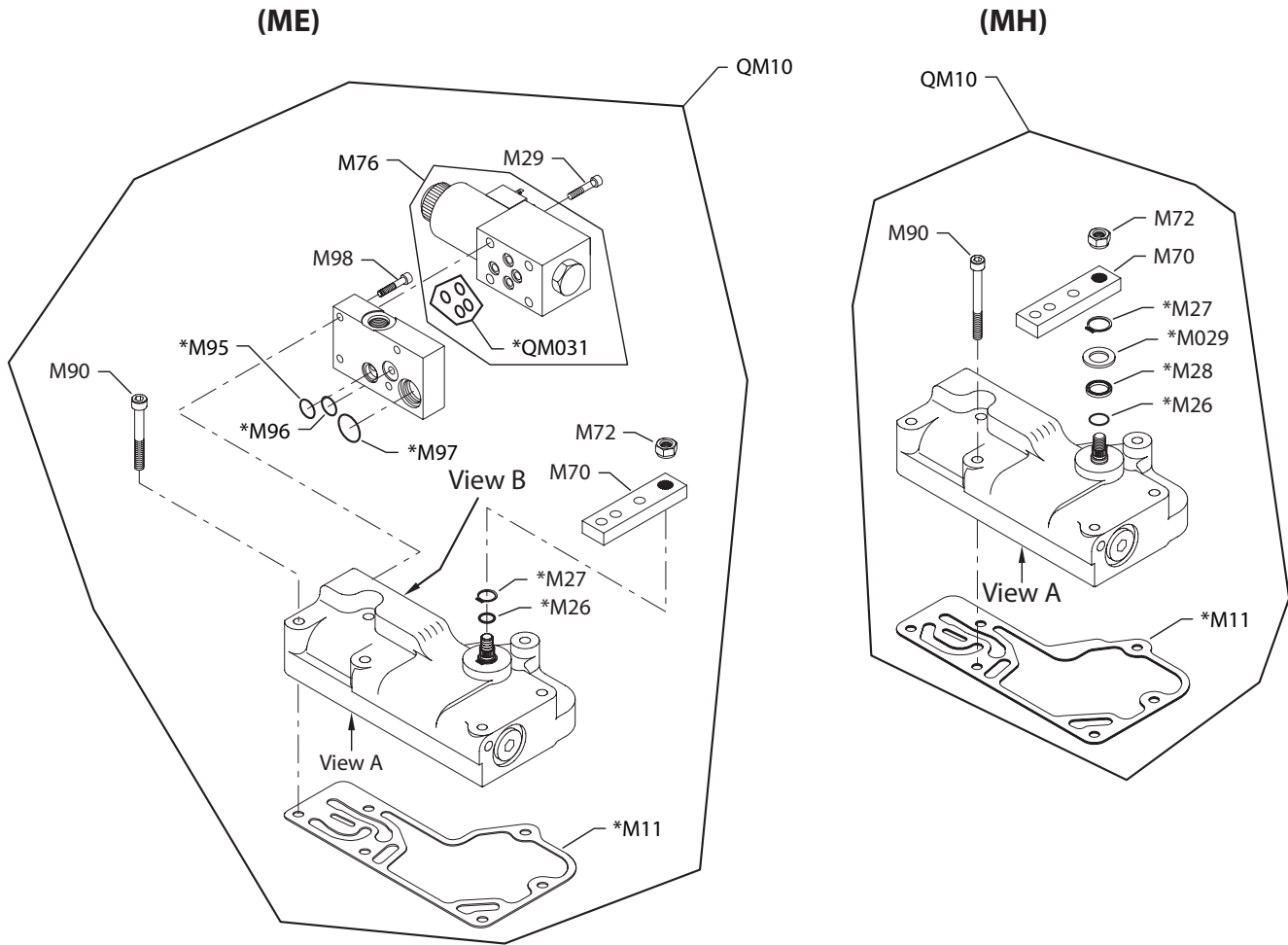
Item	Date begin	Date end	Part number	Part name	Qty. per model/kit
M11	92-19		8800923	Control gasket	1
M14	92-19		11070307	Feedback link	1
M26	92-19		144725 (9004105-0110)	O-ring	1
M27	14-44		042507	Retaining ring	1
M27	92-19	14-43	9006300-0044	Retaining ring	1
M28	14-44		510690	Shaft seal	1
M029	14-44		512047	Washer	1
M70	92-19		9800916	Control handle	1
M72	92-19		040642 (9003513-0800)	Nut	1
M90	92-19		692889 (9007314-0611)	Screw	6
QM10	92-19		8302M0MA-B	MDC kit	1
QM210	92-19		11096274	Control seal kit	1

Order code: MB

M11	92-19		8800923	Control gasket	1
M14	92-19		11070307	Feedback link	1
M26	92-19		144725 (9004105-0110)	O-ring	1
M27	14-44		042507	Retaining ring	1
M27	92-19	14-43	9006300-0044	Retaining ring	1
M28	14-44		510690	Shaft seal	1
M029	14-44		512047	Washer	1
M70	92-19		9800916	Control handle	1
M71	92-19		9009660-3100	Toothlock washer	1
M72	92-19		040642 (9003513-0800)	Nut	1
M83	92-19		001131 (9004201-5000)	O-ring	1
M90	92-19		692889 (9007314-0611)	Screw	6
QM10	92-19		8302M0MB-B	MDC kit with neutral start switch	1
QM89	92-19		80020S40	Neutral start switch, high force	1
QM210	92-19		11096274	Control seal kit	1

Control ME-MH

Parts configuration



Possible orifice locations

All orifices present in the original control must be transferred to the replacement control. If replacement control contains pre-installed orifices, remove and discard them before transferring existing orifices to new control.

* = included in control seal kit QM210

Control ME-MH*Order code: ME*

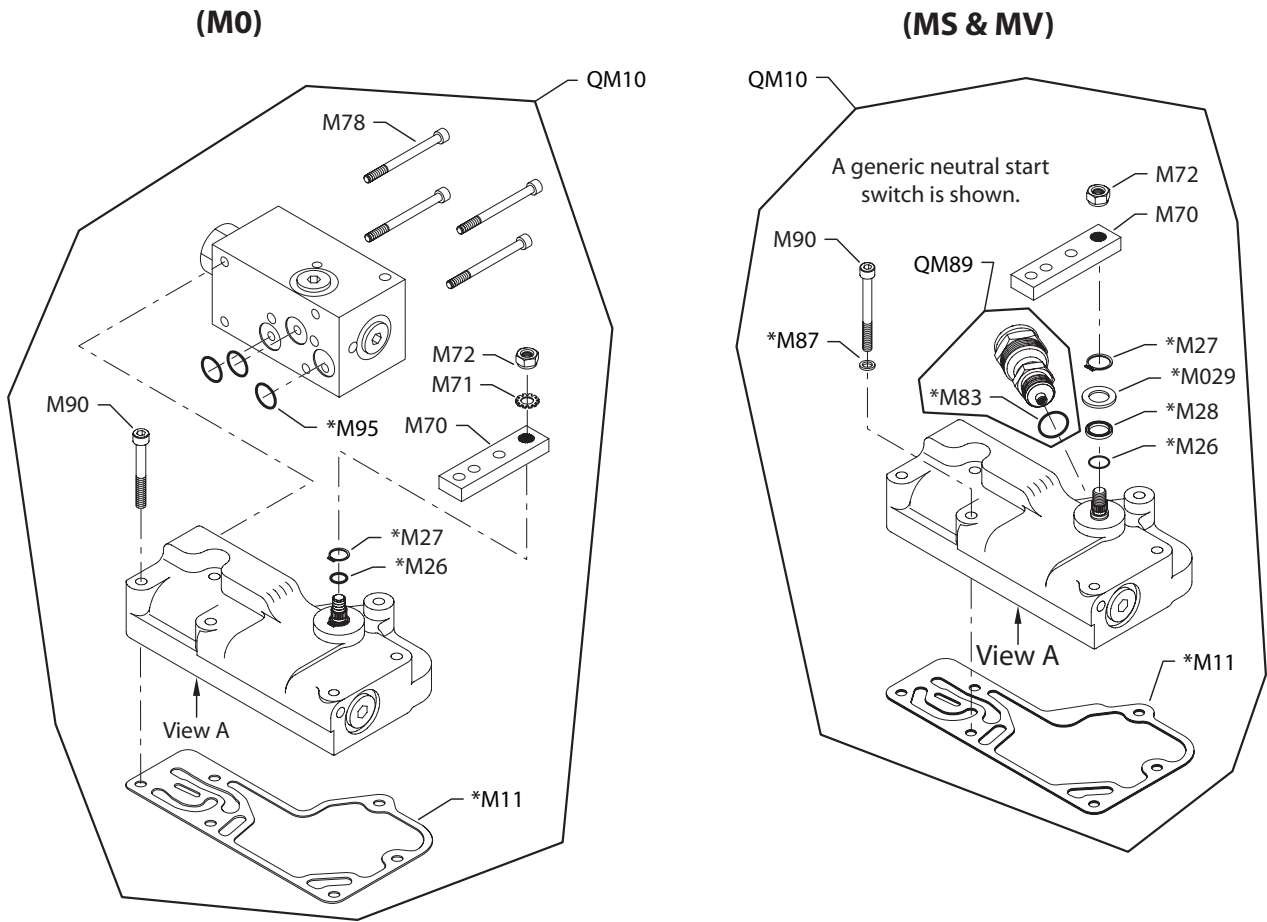
Item	Date begin	Date end	Part number	Part name	Qty. per model/kit
M11	96-39		8800923	Control gasket	1
M14	96-39		11070307	Feedback link	1
M26	96-39		144725 (9004105-0110)	O-ring	1
M27	96-39		9006300-0044	Retaining ring	1
M29	96-39		035592	Screw	4
M70	96-39		9800916	Control handle	1
M72	96-39		040642 (9003513-0800)	Nut	1
M76	96-39		519357	Solenoid valve, 12 volt	1
M90	96-39		692889 (9007314-0611)	Screw	6
M95	96-39		144725 (9004105-0110)	O-ring	1
M96	96-39		056713 (9004105-0140)	O-ring	1
M97	96-39		544742 (9004105-0190)	O-ring	1
M98	96-39		067686	Screw	4
QM10	96-39		11086406	Control kit, 2-position solenoid, 12 volt	1
QM031	96-39		11099647	Seal kit	1
QM210	96-39		11096274	Control seal kit	1

Order code: MH

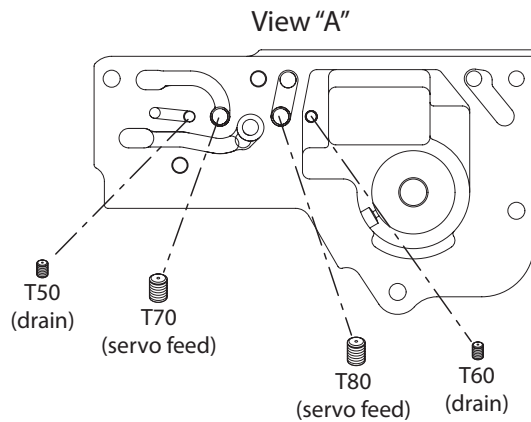
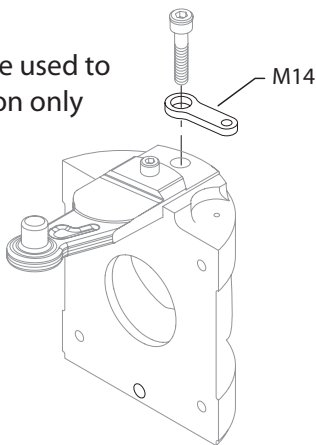
M11	04-49		8800923	Control gasket	1
M14	04-49		11070307	Feedback link	1
M26	04-49		144725 (9004105-0110)	O-ring	1
M27	14-44		042507	Retaining ring	1
M27	04-49	14-43	9006300-0044	Retaining ring	1
M28	14-44		510690	Shaft seal	1
M029	14-44		512047	Washer	1
M70	04-49		9800916	Control handle	1
M72	04-49		040642 (9003513-0800)	Nut	1
M90	04-49		692889 (9007314-0611)	Screw	6
QM10	04-49		11086361	MDC kit	1
QM210	04-49		11096274	Control seal kit	1

Control M0-MV

Parts configuration



Generic swashplate used to show link location only



Possible orifice locations

All orifices present in the original control must be transferred to the replacement control. If replacement control contains pre-installed orifices, remove and discard them before transferring existing orifices to new control.

* = included in control seal kit QM210

Control M0-MV*Order code: M0*

Item	Date begin	Date end	Part number	Part name	Qty. per model/kit
M11	96-24		8800923	Control gasket	1
M14	96-24		11070307	Feedback link	1
M26	96-24		144725 (9004105-0110)	O-ring	1
M27	96-24		9006300-0044	Retaining ring	1
M70	96-24		9800916	Control handle	1
M72	96-24		040642 (9003513-0800)	Nut	1
M78	96-24		090159	Screw	4
M90	96-24		692889 (9007314-0611)	Screw	6
M95	96-24		011304 (9004104-0140)	O-ring	3
QM10	96-24		11086426	MDC kit	1
QM210	96-24		11099981	Control seal kit	1

Order code: MS

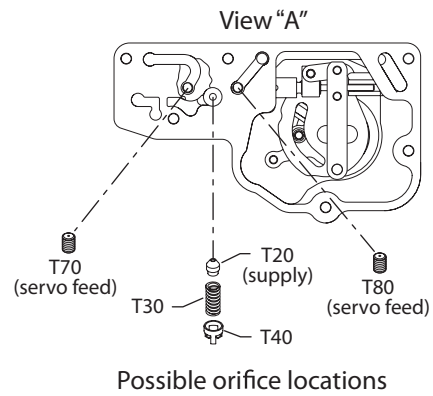
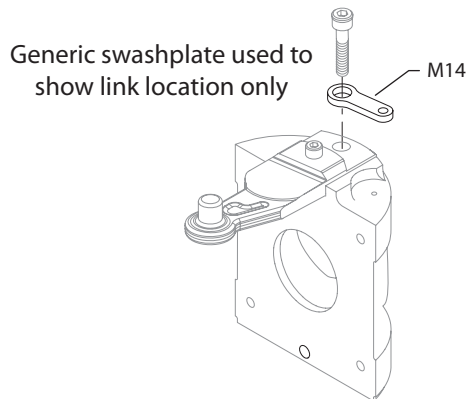
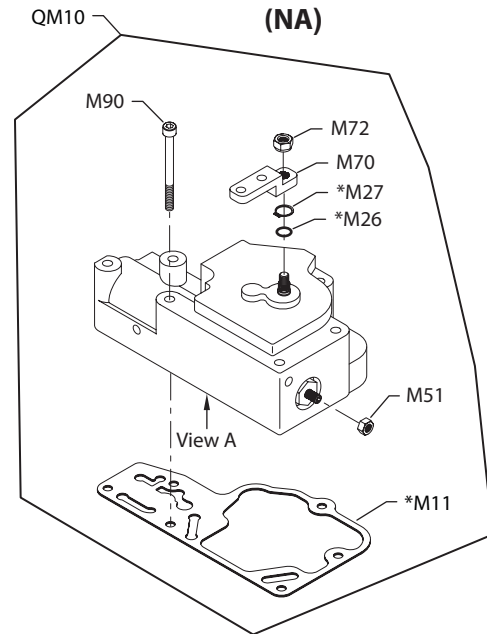
M11	00-01		8800923	Control gasket	1
M14	00-01		11070307	Feedback link	1
M26	00-01		144725 (9004105-0110)	O-ring	1
M27	14-44		042507	Retaining ring	1
M27	00-01	14-43	9006300-0044	Retaining ring	1
M28	14-44		510690	Shaft seal	1
M029	14-44		512047	Washer	1
M70	00-01		9800916	Control handle	1
M72	00-01		040642 (9003513-0800)	Nut	1
M83	00-01		001131 (9004201-5000)	O-ring	1
M90	00-01		692889 (9007314-0611)	Screw	6
QM10	00-01		11086409	MDC kit, with neutral start switch	1
QM89	00-01		8510027	Neutral start switch, high force	1
QM210	00-01		11096274	Control seal kit	1

Order code: MV

M11	94-24		8800923	Control gasket	1
M14	94-24		11070307	Feedback link	1
M26	94-24		144725 (9004105-0110)	O-ring	1
M27	14-44		042507	Retaining ring	1
M27	94-24	14-43	9006300-0044	Retaining ring	1
M28	14-44		510690	Shaft seal	1
M029	14-44		512047	Washer	1
M70	94-24		9800916	Control handle	1
M72	94-24		040642 (9003513-0800)	Nut	1
M83	94-24		001131 (9007314-0611)	O-ring	1
M90	94-24		692889 (9007314-0611)	Screw	6
QM10	94-24		8510267	MDC kit, with neutral start switch	1
QM89	94-24		8510170	Neutral start switch kit, high force	1
QM210	94-24		11096274	Control seal kit	1

Control NA

Parts configuration



All orifices present in the original control must be transferred to the replacement control. If replacement control contains pre-installed orifices, remove and discard them before transferring existing orifices to new control.

* = included in control seal kit QM210

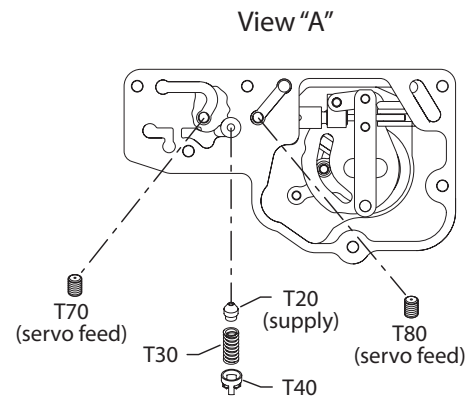
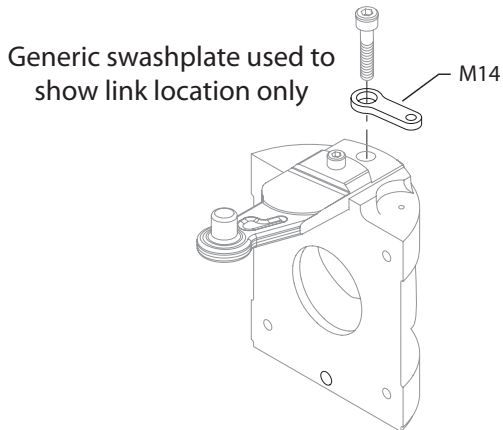
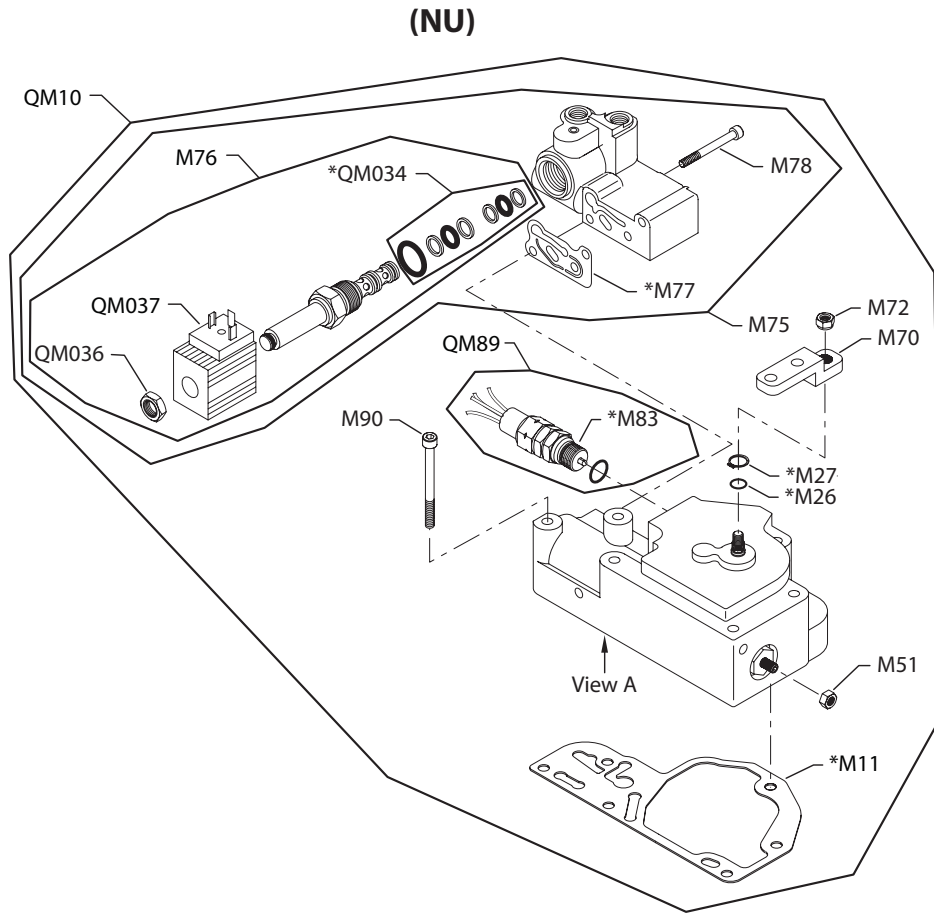
Control NA

Order code: NA

Item	Date begin	Date end	Part number	Part name	Qty. per model/kit
M11	91-37		504733	Control gasket	1
M14	91-37		11070307	Feedback link	1
M26	91-37		144725 (9004105-0110)	O-ring	1
M27	91-37		9006300-0044	Retaining ring	1
M51	91-37		345462	Nut	1
M70	91-37		769075 (8800691)	Control handle	1
M72	91-37		040642 (9003513-0800)	Nut	1
M90	91-37		9007314-0614	Screw	6
QM10	91-37		8302M0NA-A	MDC kit	1
QM210	91-37		11096273	Control seal kit	1

Control NU

Parts configuration



Possible orifice locations

All orifices present in the original control must be transferred to the replacement control. If replacement control contains pre-installed orifices, remove and discard them before transferring existing orifices to new control.

* = included in control seal kit QM210

Control NU

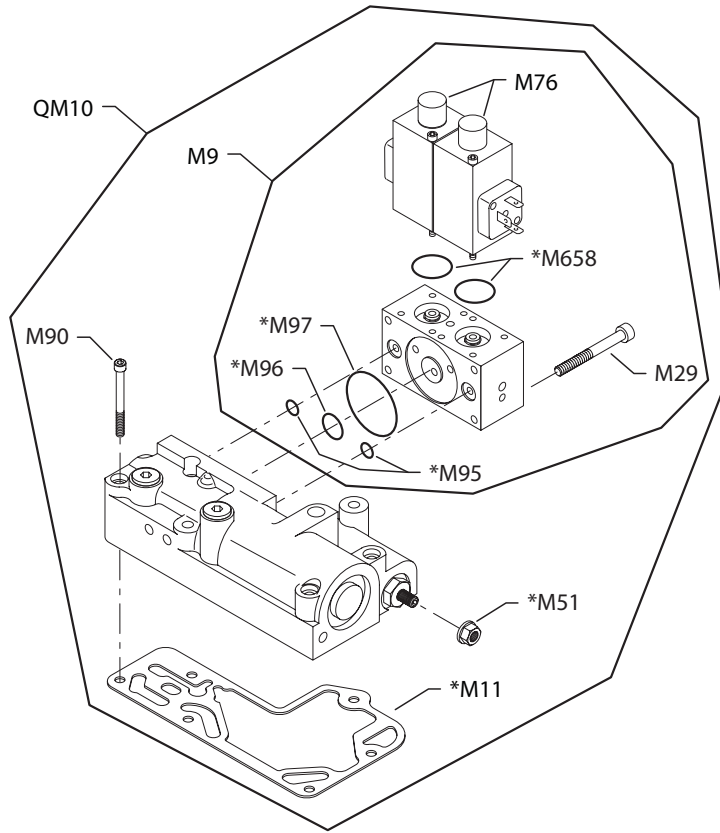
Order code: NU

Item	Date begin	Date end	Part number	Part name	Qty. per model/kit
M11	96-19		504733	Control gasket	1
M14	96-19		11070307	Feedback link	1
M26	96-19		144725 (9004105-0110)	O-ring	1
M27	96-19		9006300-0044	Retaining ring	1
M51	96-19		345462	Nut	1
M70	96-19		769075 (8800691)	Control handle	1
M71	96-19		9009660-3100	Toothlock washer	1
M72	96-19		040642 (9003513-0800)	Nut	1
M75	96-19		500147	Manifold assembly	1
M76	96-19		8700100	Solenoid valve	1
M77	96-19		500260	Gasket	1
M78	96-19		692889 (9007314-0611)	Screw	2
M83	96-19		784686	O-ring	1
M90	96-19		9007314-0614	Screw	6
QM10	96-19		11086410	MDC kit, 12 volt	1
QM89	96-19		11087773	Neutral start switch kit	1
QM034	96-19		11100391	Valve seal kit	1
QM036	96-19		11100383	Nut	1
QM037	96-19		11100389	Coil, 12 volt	1
QM210	96-19		11100415	Control seal kit	1

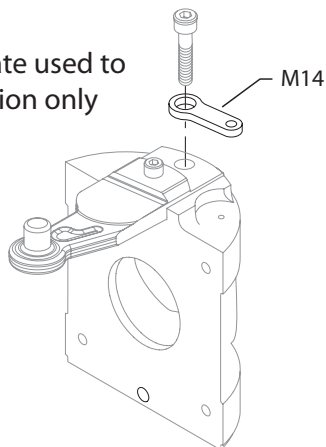
Control PA-PB

Parts configuration

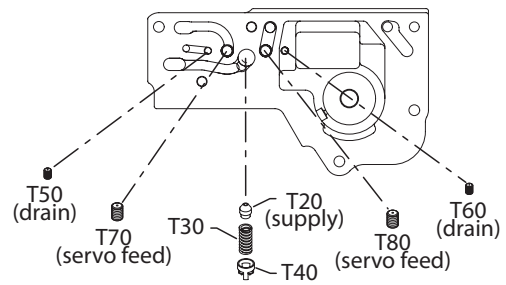
(PA & PB)



Generic swashplate used to show link location only



View "A"



Possible orifice locations

All orifices present in the original control must be transferred to the replacement control. If replacement control contains pre-installed orifices, remove and discard them before transferring existing orifices to new control.

* = included in control seal kit QM210

Control PA-PB*Order code: PA*

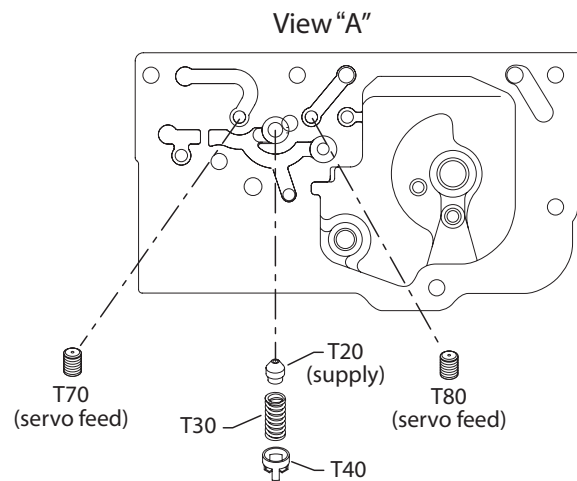
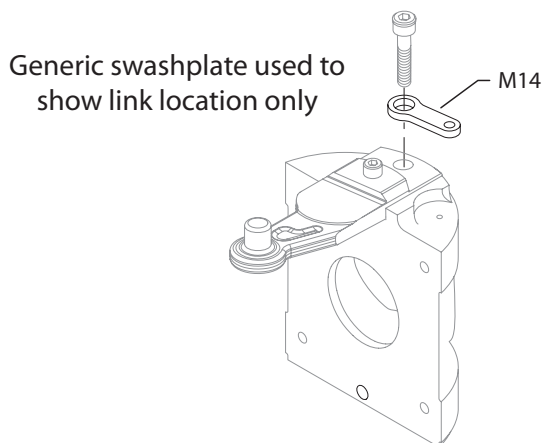
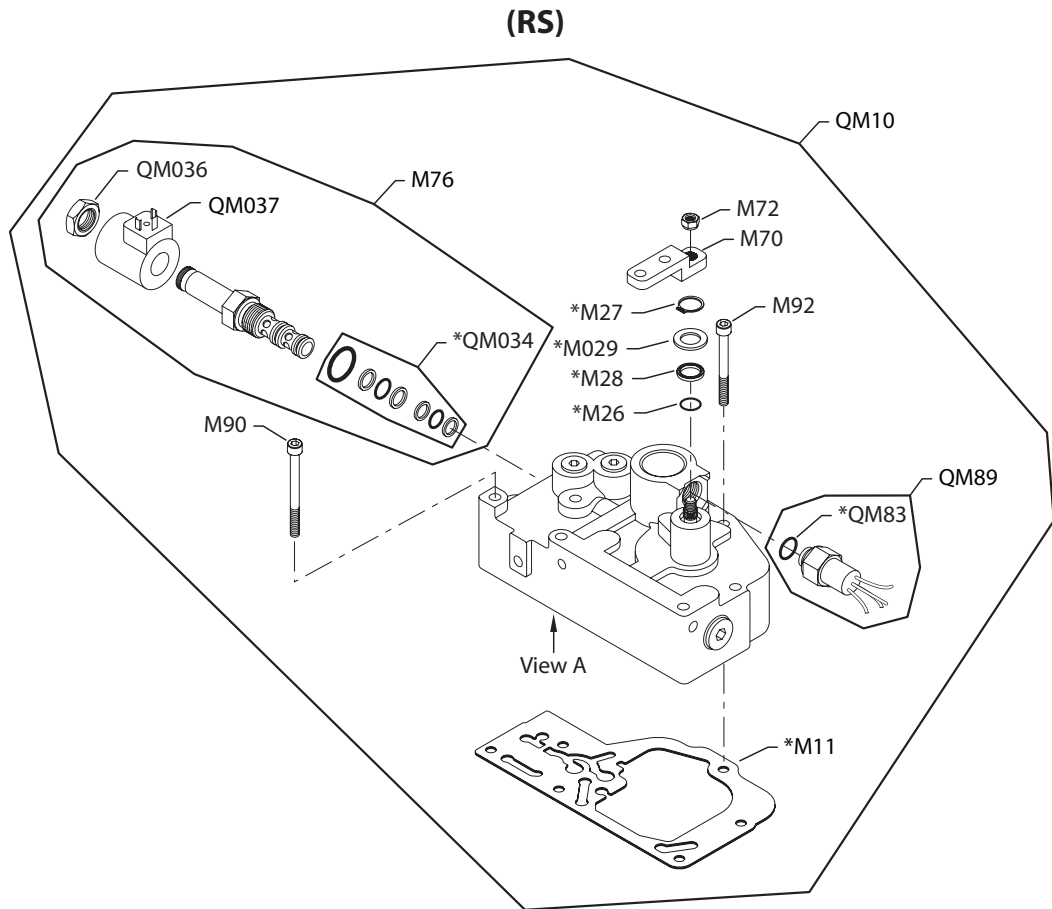
Item	Date begin	Date end	Part number	Part name	Qty. per model/kit
M9	08-44		782037	PDC, 12 volt	1
M11	08-44		8801241	Gasket	1
M14	08-44		11070307	Feedback link	1
M29	08-44		035592	Screw	4
M51	08-44		9003509-0008	Seal nut	1
M76	08-44		11001795	Solenoid, 12 volt	2
M90	08-44		692889 (9007314-0611)	Screw	6
M95	08-44		011296 (9004105-0120)	O-ring	2
M96	08-44		688721-S (9004104-0170)	O-ring	1
M97	08-44		314534 (9004104-0310)	O-ring	1
M658	08-44		635938 (9004100-0210)	O-ring	2
QM10	08-44		11086411	Control kit	1
QM210	08-44		11096251	Control seal kit	1

Order code: PB

M9	04-49		782045	PDC, 24 volt	1
M11	04-49		8801241	Gasket	1
M14	04-49		11070307	Feedback link	1
M29	04-49		035592	Screw	4
M51	04-49		9003509-0008	Seal nut	1
M76	04-49		11001794	Solenoid, 24 volt	2
M90	04-49		692889 (9007314-0611)	Screw	6
M95	04-49		011296 (9004105-0120)	O-ring	2
M96	04-49		688721-S (9004104-0170)	O-ring	1
M97	04-49		314534 (9004104-0310)	O-ring	1
M658	04-49		635938 (9004100-0210)	O-ring	2
QM10	04-49		11034094	Control kit	1
QM210	04-49		11096251	Control seal kit	1

Control RS

Parts configuration



Possible orifice locations

All orifices present in the original control must be transferred to the replacement control. If replacement control contains pre-installed orifices, remove and discard them before transferring existing orifices to new control.

* = included in control seal kit QM210

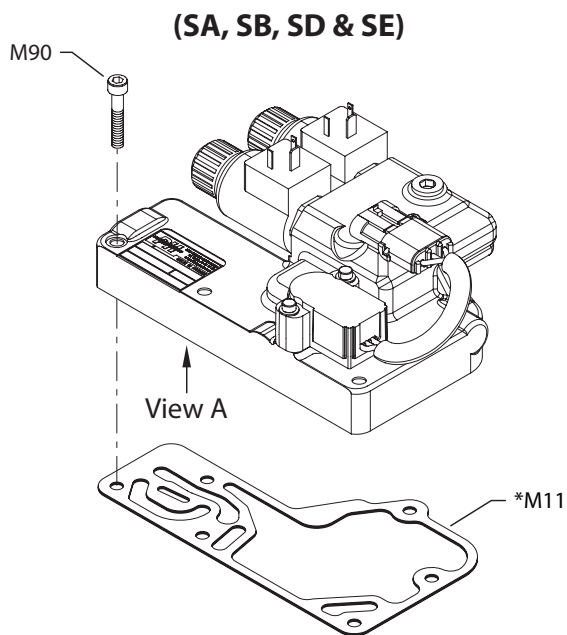
Control RS

Order code: RS

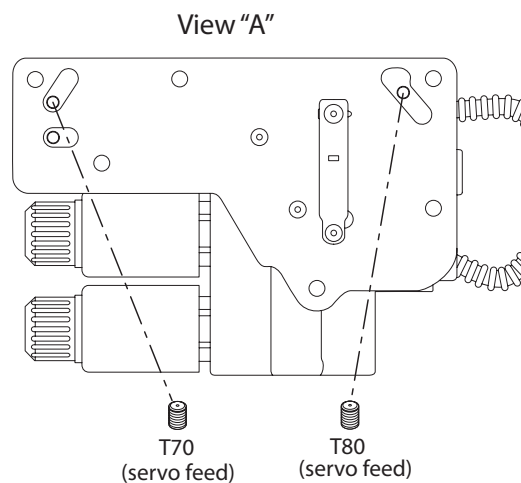
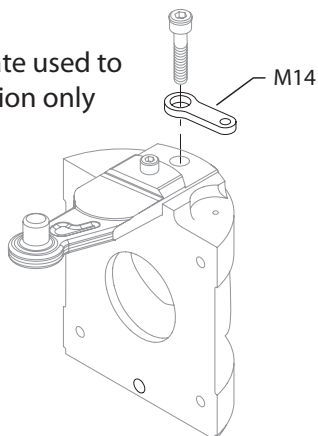
Item	Date begin	Date end	Part number	Part name	Qty. per model/kit
M11	01-15		510378	Gasket	1
M14	01-15		11070307	Feedback link	1
M26	01-15		144725 (9004105-0110)	O-ring	1
M27	01-15		042507	Retaining ring	1
M28	01-15		510690	Shaft seal ring	1
M029	01-15		512047	Washer	1
M70	01-15		769075	Control handle	1
M71	01-15		9009660-3100	Toothlock washer	1
M72	01-15		040642 (9003513-0800)	Nut	1
M76	01-15		513018	Solenoid valve, 24 volt	1
M90	01-15		354407 (9007314-0611)	Screw	5
M92	01-15		510382	Screw	1
QM10	01-15		11086422	Control kit, roller, 24 volt, nss	1
QM83	01-15		009670 (9004201-5000)	O-ring	1
QM89	01-15		11099847	Neutral start switch kit	1
QM034	01-15		11099850	Valve seal kit	1
QM036	01-15		11100383	Nut	1
QM037	01-15		11100387	Coil, 24 volt, Weather-pack connector	1
QM210	01-15		11100030	Control seal kit	1

Control SA-SE

Parts configuration



Generic swashplate used to show link location only



Possible orifice locations

This control is not available as a service part

All orifices present in the original control must be transferred to the replacement control. If replacement control contains pre-installed orifices, remove and discard them before transferring existing orifices to new control.

* = included in control seal kit QM210

Control SA-SE*Order code: SA*

Item	Date begin	Date end	Part number	Part name	Qty. per model/kit
M11	08-32		8800923	Gasket	1
M14	08-32		11070307	Feedback link	1
M90	08-32		694356 (9007314-0608)	Screw	6

Order code: SB

M11	08-32		8800923	Gasket	1
M14	08-32		11070307	Feedback link	1
M90	08-32		694356 (9007314-0608)	Screw	6

Order code: SD

M11	10-34		8800923	Gasket	1
M14	10-34		11070307	Feedback link	1
M90	10-34		694356 (9007314-0608)	Screw	6

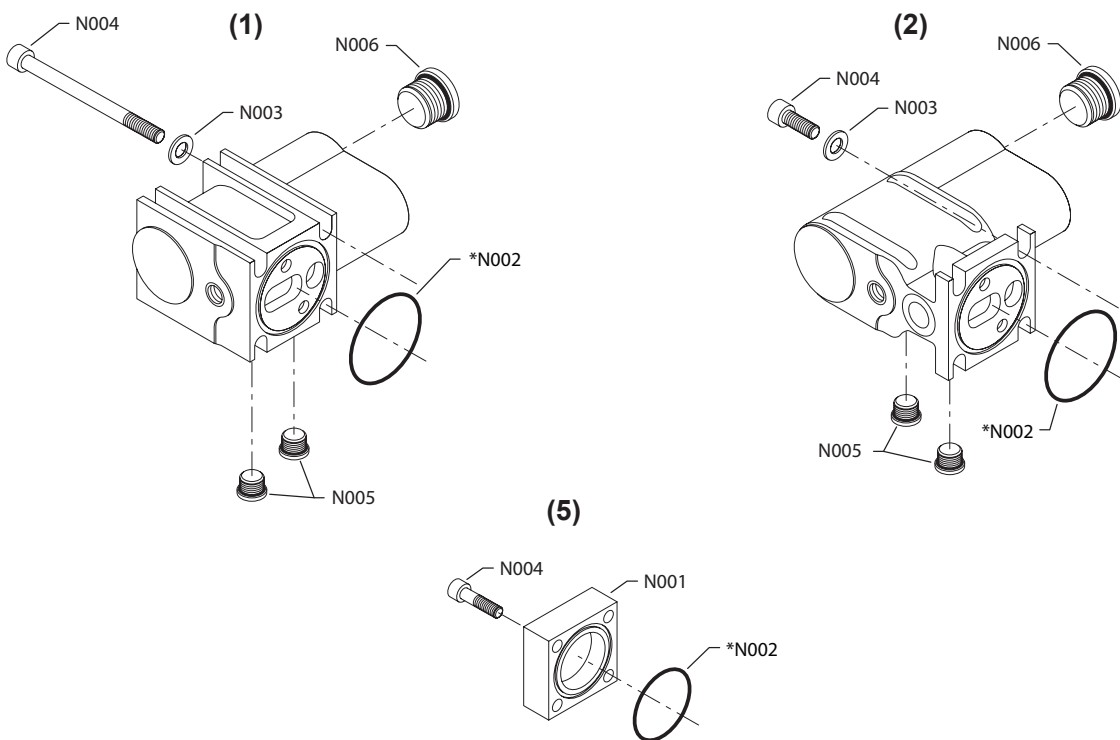
Order code: SE

M11	10-34		8800923	Gasket	1
M14	10-34		11070307	Feedback link	1
M90	10-34		694356 (9007314-0608)	Screw	6

Filtration

Filtration 1-D

Parts configuration



* = included in overhaul seal kit Q210

Filtration 1-D*Order code: 1*

Item	Date begin	Date end	Part number	Part name	Qty. per model/kit
N002	94-43	12-36	9004104-0320	O-ring	1
N003	94-43	12-36	002311 (9009610-3459)	Washer	4
N004	94-43	12-36	505442	Screw	4
N005	94-43	12-36	140644	Plug assembly	2
N006	94-43	12-36	320002 (9005110-9200)	Plug assembly	1

Order code: 2

N002	94-43	12-36	9004104-0320	O-ring	1
N003	94-43	12-36	002311 (9009610-3459)	Washer	4
N004	94-43	12-36	713594	Screw	4
N005	94-43	12-36	140644	Plug assembly	2
N006	94-43	12-36	320002 (9005110-9200)	Plug assembly	1

Order code: 5

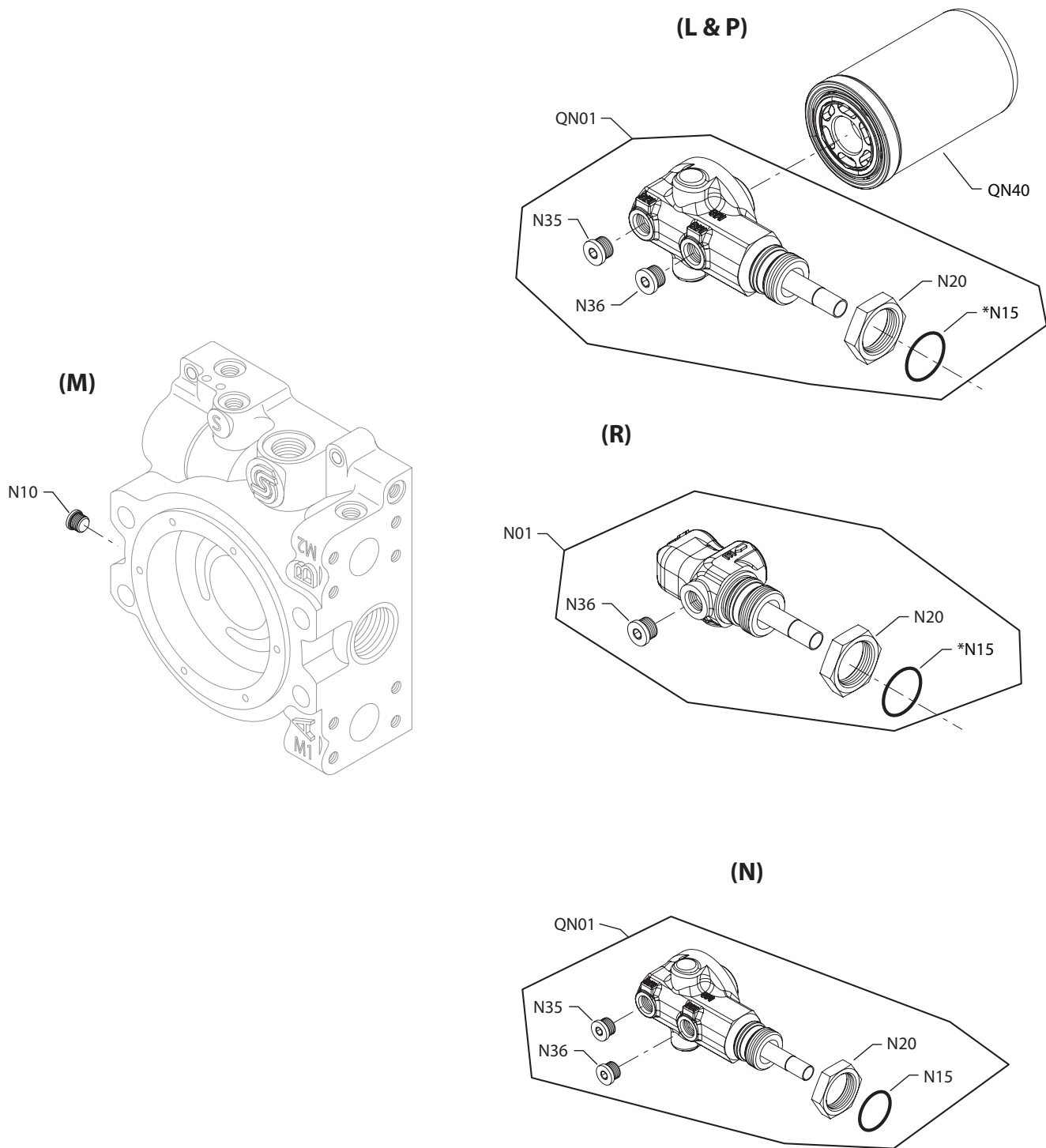
N001	99-18		515972-5	Cover plate	1
N002	99-18		9004104-0320	O-ring	1
N004	99-18		746594	Screw	4

Order code: D

None					
------	--	--	--	--	--

Filtration L-R

Parts configuration



Generic end cap used to show part location only

* = included in overhaul seal kit Q210

Filtration L-R*Order code: L*

Item	Date begin	Date end	Part number	Part name	Qty. per model/kit
N15	89-41		9004201-9000	O-ring	1
N20	95-18		11049997	Nut	1
N20	89-41	95-17	700492 (9002863-1600)	Nut (<i>SB-1994-036</i> on page 230)	1
N35	89-41		140644	Plug assembly	1
N36	89-41		140644	Plug assembly	1
QN01	89-41		11145250	Filter manifold assembly	1
QN40	02-03		11004919	Filter assembly, long	1

Order code: M

N10	94-16	11-35	140644	Plug assembly	1
-----	-------	-------	--------	---------------	---

Order code: N

N01	17-28		11060346	Filter manifold assembly	1
N36	17-28		140644	Plug assembly	1
N40	17-28		11008261	Filtration cover	1
QN01	17-28		11145250	Filter assembly	1

Order code: P

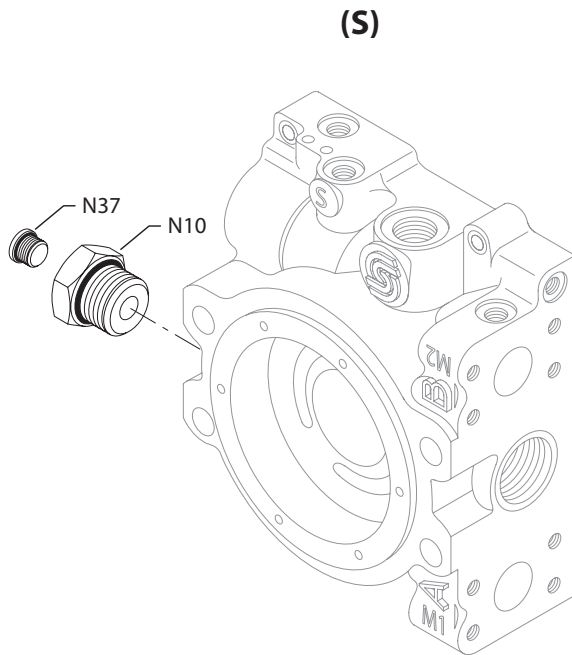
N15	89-41		9004201-9000	O-ring	1
N20	95-18		11049997	Nut	1
N20	89-41	95-17	700492 (9002863-1600)	Nut (<i>SB-1994-036</i> on page 230)	1
N35	89-41		140644	Plug assembly	1
N36	89-41		140644	Plug assembly	1
QN01	89-41		11145250	Filter manifold assembly	1
QN40	02-03		11004917	Filter assembly, short	1

Order code: R

N01	89-41		11060429	Filter manifold assembly	1
N15	89-41		9004201-9000	O-ring	1
N20	95-18		11049997	Nut	1
N20	89-41	95-17	700492 (9002863-1600)	Nut (<i>SB-1994-036</i> on page 230)	1
N36	89-41		140644	Plug assembly	1

Filtration S

Parts configuration



Generic end cap used to show part location only

* = included in overhaul seal kit Q210

Filtration S

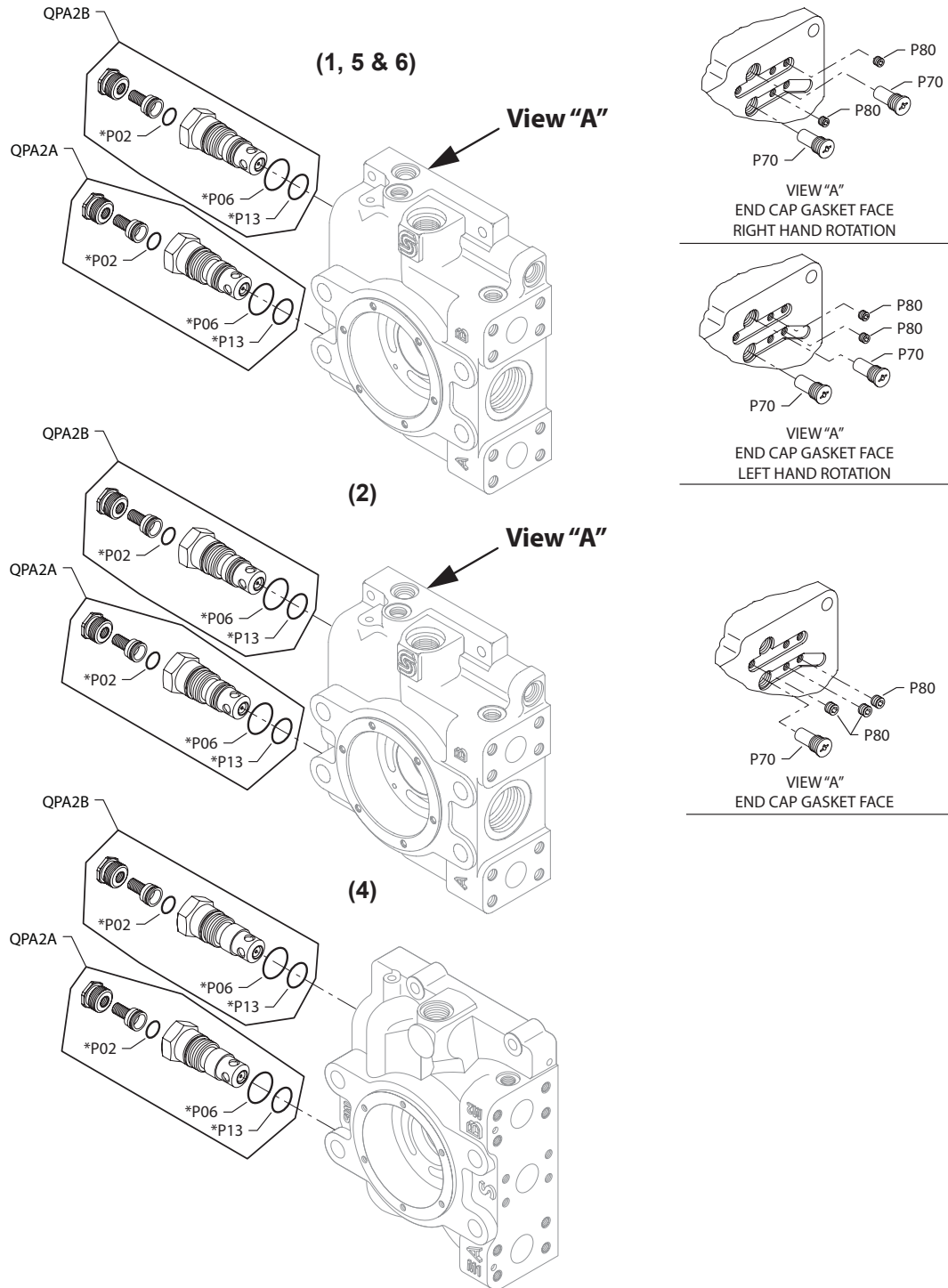
Order code: S

Item	Date begin	Date end	Part number	Part name	Qty. per model/kit
N10	89-41		707554	Reducer assembly	1
N37	89-41		140644	Plug assembly	1

High pressure regulation

High pressure regulation 1-6

Parts configuration



Generic end caps used to show valve location only

* = included in overhaul seal kit Q210

High pressure regulation 1-6**Order code: 1**

Item	Date begin	Date end	Part number	Part name	Qty. per model/kit
P2	89-41		775080	O-ring	2
P6	89-41		360784 (9004105-0290)	O-ring	2
P13	89-41		775155	O-ring	2
P70	89-41		8800188	Check valve assembly	2
P80	89-41		9005475-0004	Special pipe plug	2
QPA2A	89-41		8510023-1	Multi-function valve kit (<i>SB-1991-014</i> on page 224)	1
QPA2B	89-41		8510023-1	Multi-function valve kit (<i>SB-1991-014</i> on page 224)	1

Order code: 2

P2	89-41		775080	O-ring	2
P6	89-41		360784 (9004105-0290)	O-ring	2
P13	89-41		775155	O-ring	2
P70	89-41		9005110-4400	Plug assembly	1
P80	89-41		9005475-0004	Special pipe plug	3
QPA2A	89-41		8510023-2	Multi-function valve kit (<i>SB-1991-014</i> on page 224)	1
QPA2B	89-41		8510023-2	Multi-function valve kit (<i>SB-1991-014</i> on page 224)	1

Order code: 4

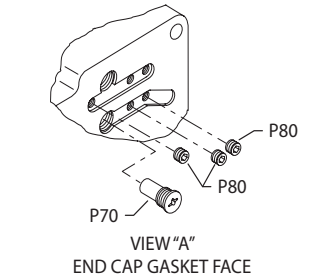
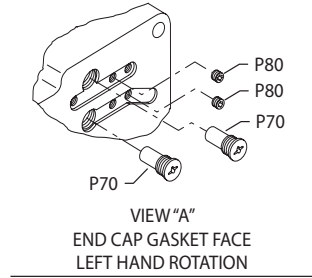
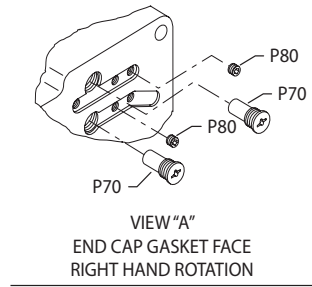
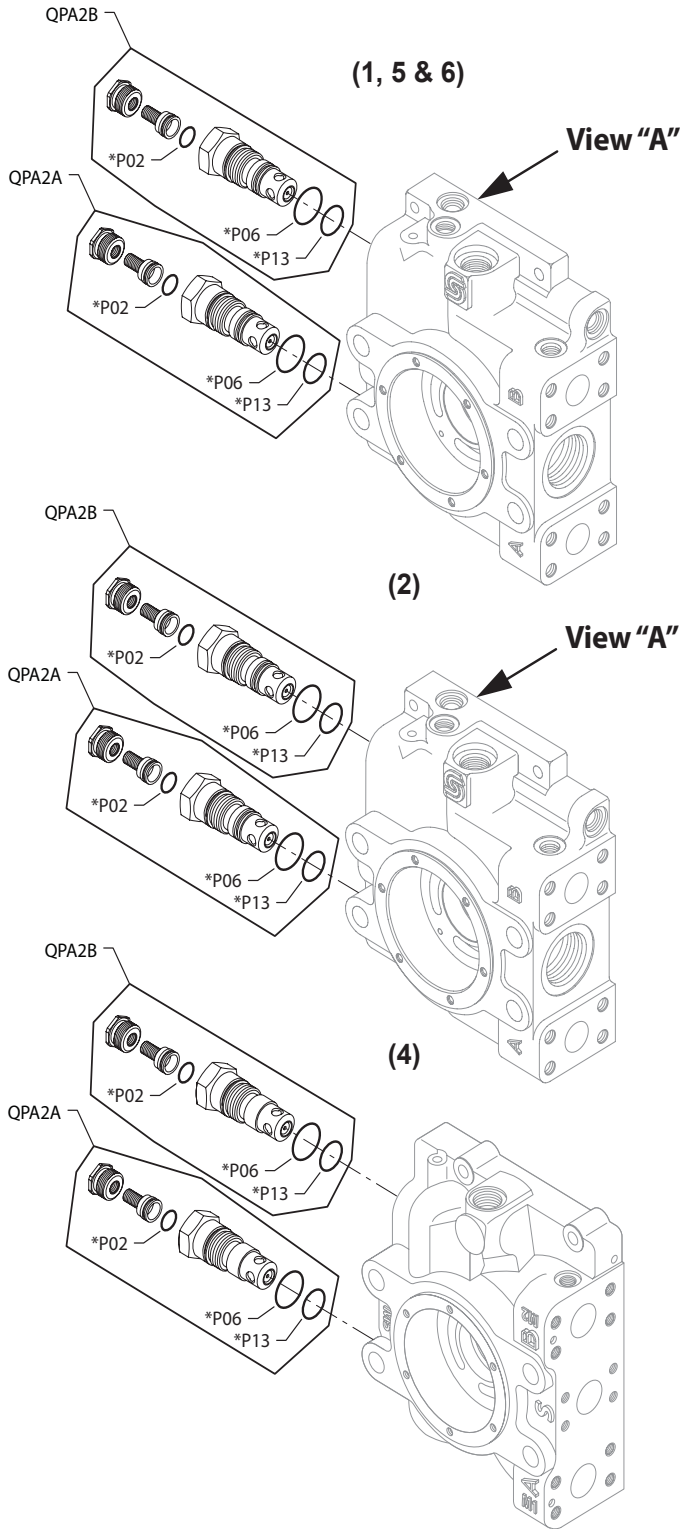
P2	03-28		775080	O-ring	2
P6	03-28		360784 (9004105-0290)	O-ring	2
P13	03-28		775155	O-ring	2
QPA2A	03-28		8510023-7	Multi-function valve kit (<i>SB-1991-014</i> on page 224)	1
QPA2B	03-28		8510023-7	Multi-function valve kit (<i>SB-1991-014</i> on page 224)	1

Order code: 5

P2	98-02		775080	O-ring	2
P6	98-02		360784 (9004105-0290)	O-ring	2
P13	98-02		775155	O-ring	2
P70	98-02		8800188	Check valve assembly	2
P80	98-02		9005475-0004	Special pipe plug	2
QPA2A	98-02		8510274	Multi-function valve kit (<i>SB-1991-014</i> on page 224)	1
QPA2B	98-02		8510274	Multi-function valve kit (<i>SB-1991-014</i> on page 224)	1

High pressure regulation 1-6

Parts configuration



Generic end caps used to show valve location only

* = included in overhaul seal kit Q210

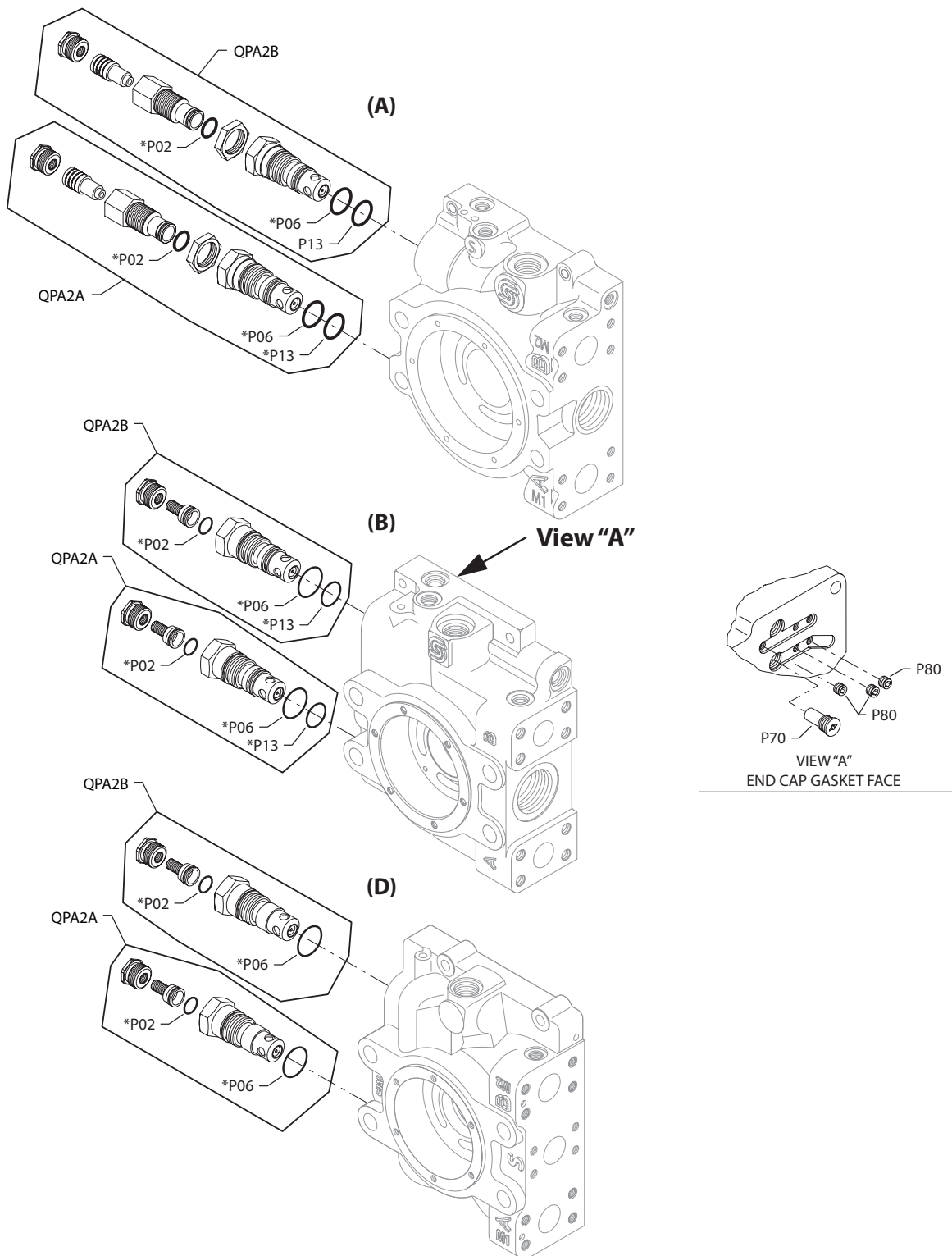
High pressure regulation

Order code: 6

Item	Date begin	Date end	Part number	Part name	Qty. per model/kit
P2	93-26		775080	O-ring	2
P6	93-26		360784 (9004105-0290)	O-ring	2
P13	93-26		775155	O-ring	2
P70	93-26		8800188	Check valve assembly	2
P80	93-26		9005475-0004	Special pipe plug	2
QPA2A	93-26		8510023-6	Multi-function valve kit (<i>SB-1991-014</i> on page 224)	1
QPA2B	93-26		8510023-6	Multi-function valve kit (<i>SB-1991-014</i> on page 224)	1

High pressure regulation A-D

Parts configuration



Generic end caps used to show valve location only

* = included in overhaul seal kit Q210

High pressure regulation A-D*Order code: A*

Item	Date begin	Date end	Part number	Part name	Qty. per model/kit
P02	89-41	14-25	775080	O-ring	2
P06	89-41	14-25	360784 (9004105-0290)	O-ring	2
P13	89-41	14-25	775155	O-ring	2

Order code: B

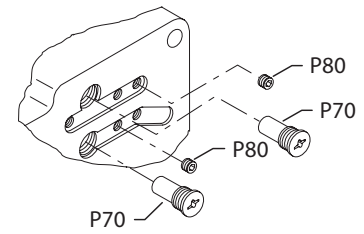
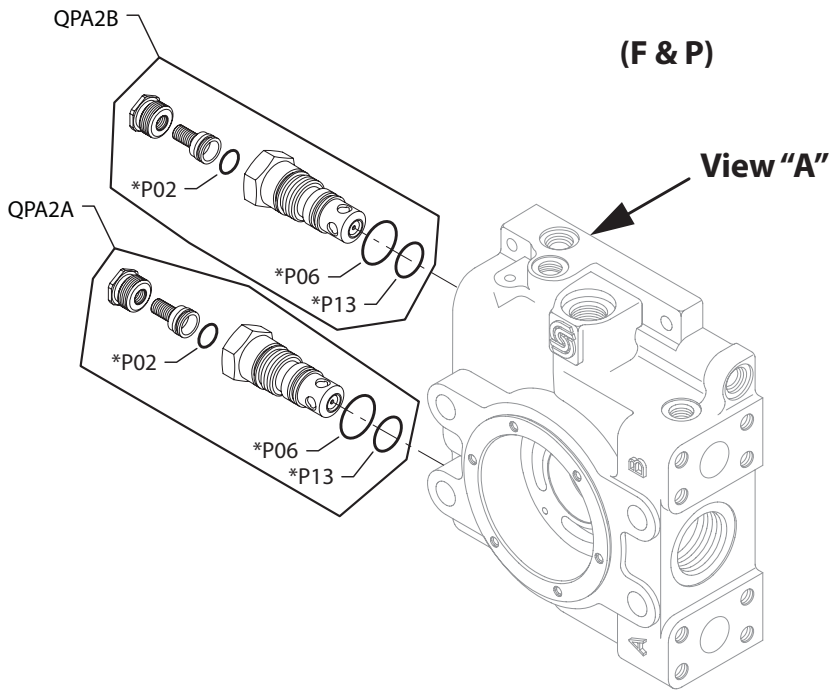
P02	99-09		775080	O-ring	2
P06	99-09		360784 (9004105-0290)	O-ring	2
P13	99-09		775155	O-ring	2
P70	99-09		8800188	Check valve assembly	1
P80	99-09		9005475-0004	Special pipe plug	3
QPA2A	99-09		8510023-1	Multi-function valve kit (<i>SB-1991-014</i> on page 224)	1
QPA2B	99-09		8510023-1	Multi-function valve kit (<i>SB-1991-014</i> on page 224)	1

Order code: D

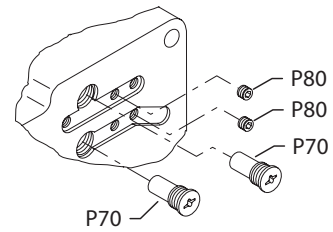
P02	97-40		775080	O-ring	2
P06	97-40		360784 (9004105-0290)	O-ring	2
QPA2A	97-40		11086466	Multi-function valve kit (<i>SB-1991-014</i> on page 224)	1
QPA2B	97-40		11086466	Multi-function valve kit (<i>SB-1991-014</i> on page 224)	1

High pressure regulation F-Z

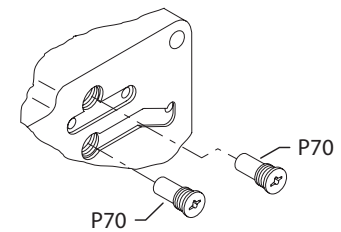
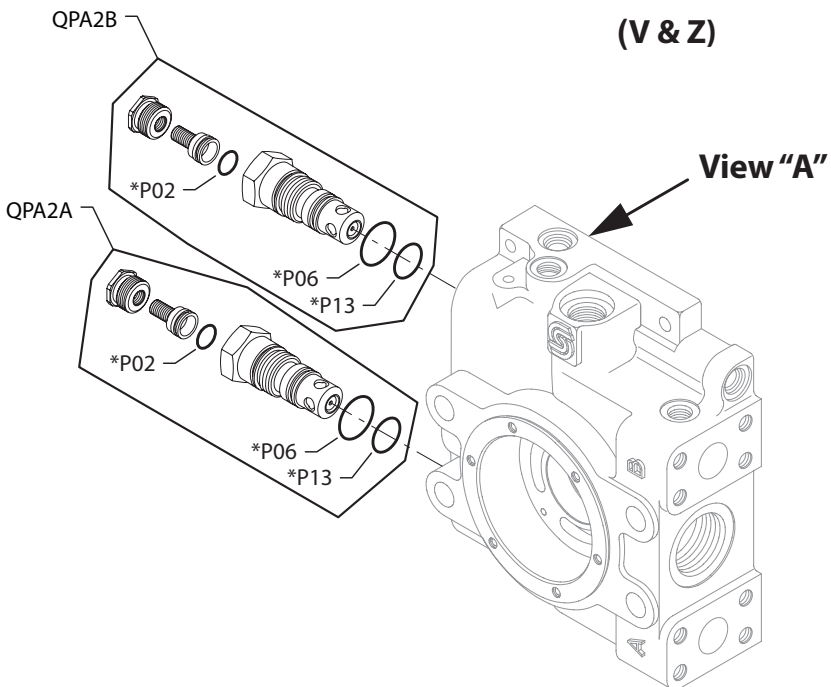
Parts configuration



VIEW "A"
END CAP GASKET FACE
RIGHT HAND ROTATION



VIEW "A"
END CAP GASKET FACE
LEFT HAND ROTATION



VIEW "A"
END CAP GASKET FACE

Generic end caps used to show valve location only

* = included in overhaul seal kit Q210

High pressure regulation F-Z*Order code: F*

Item	Date begin	Date end	Part number	Part name	Qty. per model/kit
P2	94-39		775080	O-ring	2
P6	94-39		360784 (9004105-0290)	O-ring	2
P13	94-39		775155	O-ring	2
P70	94-39		8800188	Check valve assembly	2
P80	94-39		9005475-0004	Special pipe plug	2
QPA2A	94-39		8510023-2	Multi-function valve kit (<i>SB-1991-014</i> on page 224)	1
QPA2B	94-39		8510023-2	Multi-function valve kit (<i>SB-1991-014</i> on page 224)	1

Order code: P

P2	99-10		775080	O-ring	2
P6	99-10		360784 (9004105-0290)	O-ring	2
P13	99-10		775155	O-ring	2
P70	99-10		8800188	Check valve assembly	2
P80	99-10		9005475-0004	Special pipe plug	2
QPA2A	99-10		8510292	Multi-function valve kit (<i>SB-1991-014</i> on page 224)	1
QPA2B	99-10		8510292	Multi-function valve kit (<i>SB-1991-014</i> on page 224)	1

Order code: V

P2	02-30		775080	O-ring	2
P6	02-30		360784 (9004105-0290)	O-ring	2
P13	02-30		775155	O-ring	2
P70	02-30		8800188	Check valve assembly	2
QPA2A	02-30		8510240	Multi-function valve kit (<i>SB-1991-014</i> on page 224)	1
QPA2B	02-30		8510240	Multi-function valve kit (<i>SB-1991-014</i> on page 224)	1

Order code: Z

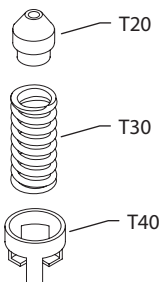
P2	04-12		775080	O-ring	2
P6	04-12		360784 (9004105-0290)	O-ring	2
P13	04-12		775155	O-ring	2
P70	04-12		8800188	Check valve assembly	2
QPA2A	04-12		8510022-1	Multi-function valve kit (<i>SB-1991-014</i> on page 224)	1
QPA2B	04-12		8510022-1	Multi-function valve kit (<i>SB-1991-014</i> on page 224)	1

Orifice

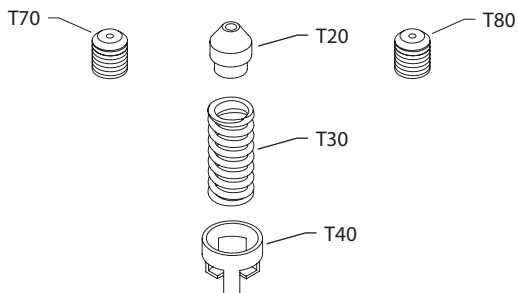
Orifice 00-23

Parts configuration

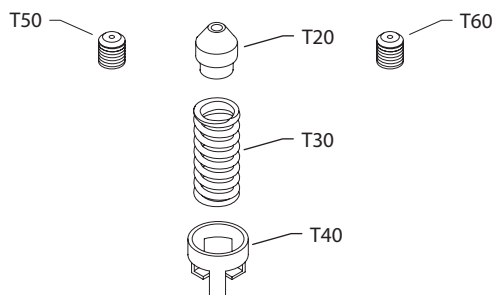
**(01, 02, 03, 04, 05,
06 & 09)**



(21)



(23)



See control drawing for orifice location

Orifice 00-23*Order code: 00*

Item	Date begin	Date end	Part number	Part name	Qty. per model/kit
None					

Order code: 01

T20	89-41		8801136	Orificed check valve, .018"	1
T30	89-41		679506 (8700007)	Spring	1
T40	89-41		8801303	Spring retainer	1

Order code: 02

T20	89-41		8801139	Orificed check valve, .026"	1
T30	89-41		679506 (8700007)	Spring	1
T40	89-41		8801303	Spring retainer	1

Order code: 03

T20	89-41		11061958	Orificed check valve, .81mm	1
T30	89-41		679506 (8700007)	Spring	1
T40	89-41		8801303	Spring retainer	1

Order code: 04

T20	89-41		11061970	Orificed check valve, 1.02mm	1
T30	89-41		679506 (8700007)	Spring	1
T40	89-41		8801303	Spring retainer	1

Order code: 05

T20	89-41		11061981	Orificed check valve, 1.37mm	1
T30	89-41		679506 (8700007)	Spring	1
T40	89-41		8801303	Spring retainer	1

Order code: 06

T20	89-41		11061993	Orificed check valve, 1.57mm	1
T30	89-41		679506 (8700007)	Spring	1
T40	89-41		8801303	Spring retainer	1

Order code: 09

T20	89-41		11062006	Orificed check valve, 2.34mm	1
T30	89-41		679506 (8700007)	Spring	1
T40	89-41		8801303	Spring retainer	1

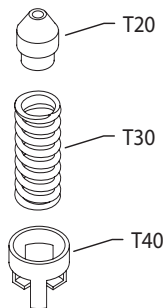
Order code: 21

T20	89-41		11061970	Orificed check valve, 1.02mm	1
T30	89-41		679506 (8700007)	Spring	1
T40	89-41		8801303	Spring retainer	1
T70	89-41		714477	Orifice plug, 0.8mm, M8 x 8	1
T80	89-41		714477	Orifice plug, 0.8mm, M8 x 8	1

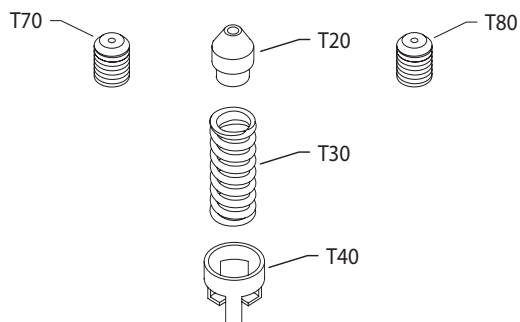
Orifice 00-23

Parts configuration

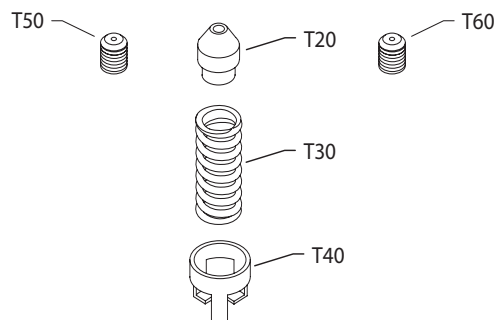
**(01, 02, 03, 04, 05,
06 & 09)**



(21)



(23)



See control drawing for orifice location

Orifice 00-23*Order code: 22*

Item	Date begin	Date end	Part number	Part name	Qty. per model/kit
T20	89-41		8801137	Orificed check valve, .022"	1
T30	89-41		679506 (8700007)	Spring	1
T40	89-41		8801303	Spring retainer	1

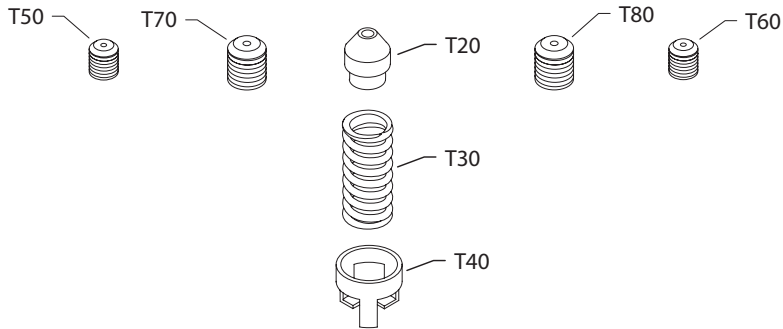
Order code: 23

T20	89-41		11061958	Orificed check valve, .81mm	1
T30	89-41		679506 (8700007)	Spring	1
T40	89-41		8801303	Spring retainer	1
T50	89-41		639153	Orifice plug, 1.3mm, M5 x 6	1
T60	89-41		639153	Orifice plug, 1.3mm, M5 x 6	1

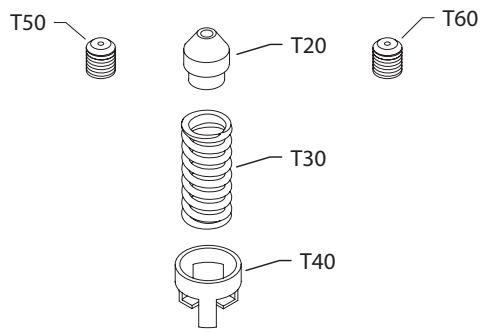
Orifice 25-33

Parts configuration

(25, 28 & 30)



(26, 27 & 29)



(32 & 33)



See control drawing for orifice location

Orifice 25-33*Order code: 25*

Item	Date begin	Date end	Part number	Part name	Qty. per model/kit
T20	89-41		8801139	Orificed check valve, .026"	1
T30	89-41		679506 (8700007)	Spring	1
T40	89-41		8801303	Spring retainer	1
T50	89-41		606657	Orifice plug, 0.5mm, M5 x 6	1
T60	89-41		606657	Orifice plug, 0.5mm, M5 x 6	1
T70	89-41		716837	Orifice plug, 0.6mm, M8 x 8	1
T80	89-41		716837	Orifice plug, 0.6mm, M8 x 8	1

Order code: 26

T20	89-41		11061970	Orificed check valve, .81mm	1
T30	89-41		679506 (8700007)	Spring	1
T40	89-41		8801303	Spring retainer	1
T50	89-41		598292	Orifice plug, 0.8mm, M5 x 6	1
T60	89-41		598292	Orifice plug, 0.8mm, M5 x 6	1

Order code: 27

T20	89-41		11061970	Orificed check valve, 1.02mm	1
T30	89-41		679506 (8700007)	Spring	1
T40	89-41		8801303	Spring retainer	1
T50	89-41		598292	Orifice plug, 0.8mm, M5 x 6	1
T60	89-41		598292	Orifice plug, 0.8mm, M5 x 6	1

Order code: 28

T20	89-41		8801139	Orificed check valve, .026"	1
T30	89-41		679506 (8700007)	Spring	1
T40	89-41		8801303	Spring retainer	1
T50	89-41		639104	Orifice plug, 0.7mm, M5 x 6	1
T60	89-41		639104	Orifice plug, 0.7mm, M5 x 6	1
T70	89-41		704650	Orifice plug, 0.7mm, M8 x 8	1
T80	89-41		704650	Orifice plug, 0.7mm, M8 x 8	1

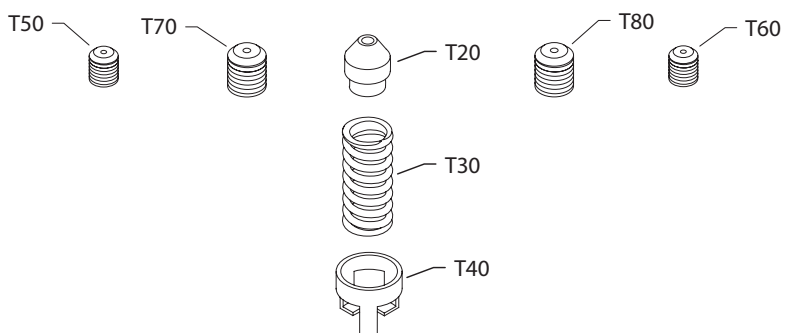
Order code: 29

T20	89-41		11061958	Orificed check valve, .81mm	1
T30	89-41		679506 (8700007)	Spring	1
T40	89-41		8801303	Spring retainer	1
T50	89-41		639104	Orifice plug, 0.7mm, M5 x 6	1
T60	89-41		639104	Orifice plug, 0.7mm, M5 x 6	1

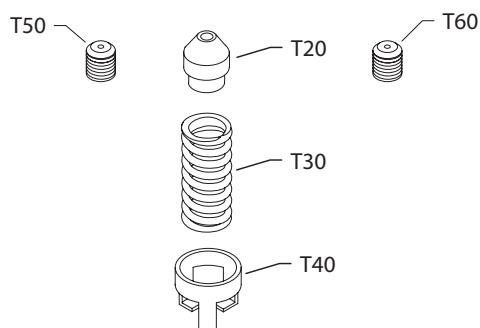
Orifice 25-33

Parts configuration

(25, 28 & 30)



(26, 27 & 29)



(32 & 33)



See control drawing for orifice location

Orifice 25-33*Order code: 30*

Item	Date begin	Date end	Part number	Part name	Qty. per model/kit
T20	89-41		8801139	Orificed check valve, .026"	1
T30	89-41		679506 (8700007)	Spring	1
T40	89-41		8801303	Spring retainer	1
T50	89-41		639153	Orifice plug, 1.3mm, M5 x 6	1
T60	89-41		639153	Orifice plug, 1.3mm, M5 x 6	1
T70	89-41		704650	Orifice plug, 0.7mm, M8 x 8	1
T80	89-41		704650	Orifice plug, 0.7mm, M8 x 8	1

Order code: 32

T50	89-41		639120	Orifice plug, 1.0mm, M5 x 6	1
T60	89-41		639153	Orifice plug, 1.3mm, M5 x 6	1

Order code: 33

T50	89-41		639153	Orifice plug, 1.3mm, M5 x 6	1
T60	89-41		639153	Orifice plug, 1.3mm, M5 x 6	1

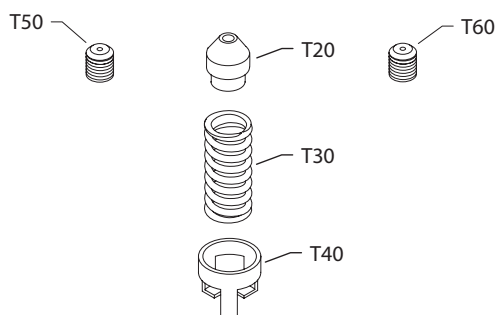
Orifice 34-49

Parts configuration

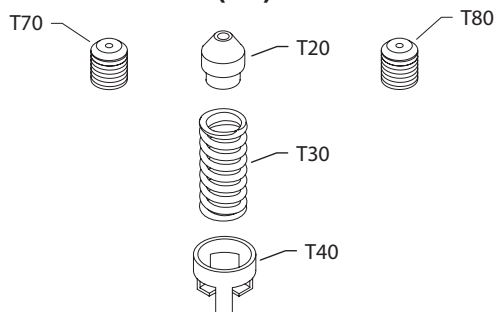
(34)



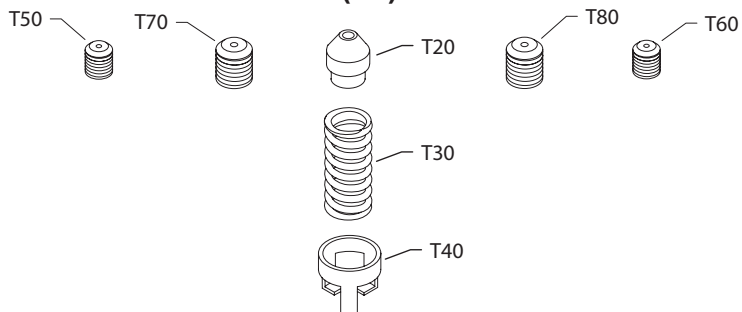
(37, 44, 45, 46 & 49)



(38)



(48)



See control drawing for orifice location

Orifice 34-49*Order code: 34*

Item	Date begin	Date end	Part number	Part name	Qty. per model/kit
T70	89-41		755793	Orifice plug, 1.0mm, M8 x 8	1
T80	89-41		755793	Orifice plug, 1.0mm, M8 x 8	1

Order code: 37

T20	89-41		11061981	Orificed check valve, 1.37mm	1
T30	89-41		679506 (8700007)	Spring	1
T40	89-41		8801303	Spring retainer	1
T50	89-41		639120	Orifice plug, 1.0mm, M5 x 6	1
T60	89-41		639120	Orifice plug, 1.0mm, M5 x 6	1

Order code: 38

T20	89-41		8801139	Orificed check valve, .026"	1
T30	89-41		679506 (8700007)	Spring	1
T40	89-41		8801303	Spring retainer	1
T70	89-41		716837	Orifice plug, 0.6mm, M8 x 8	1
T80	89-41		716837	Orifice plug, 0.6mm, M8 x 8	1

Order code: 44

T20	89-41		11061981	Orificed check valve, 1.37mm	1
T30	89-41		679506 (8700007)	Spring	1
T40	89-41		8801303	Spring retainer	1
T50	89-41		598292	Orifice plug, 0.8mm, M5 x 6	1
T60	89-41		598292	Orifice plug, 0.8mm, M5 x 6	1

Order code: 45

T20	89-41		11061958	Orificed check valve, 0.81mm	1
T30	89-41		679506 (8700007)	Spring	1
T40	89-41		8801303	Spring retainer	1
T50	89-41		639153	Orifice plug, 1.3mm, M5 x 6	1
T60	89-41		598292	Orifice plug, 0.8mm, M5 x 6	1

Order code: 46

T20	89-41		8801139	Orificed check valve, .026"	1
T30	89-41		679506 (8700007)	Spring	1
T40	89-41		8801303	Spring retainer	1
T50	89-41		598292	Orifice plug, 0.8mm, M5 x 6	1
T60	89-41		598292	Orifice plug, 0.8mm, M5 x 6	1

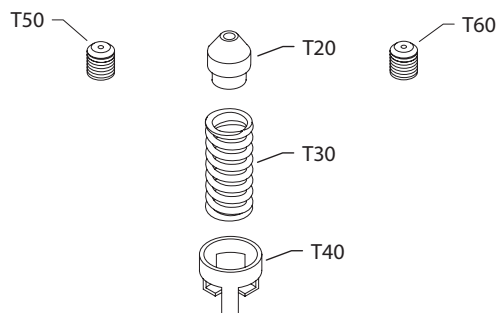
Orifice 34-49

Parts configuration

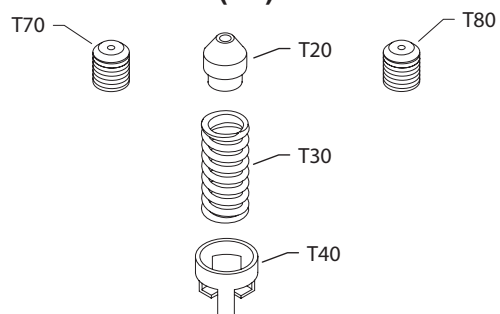
(34)



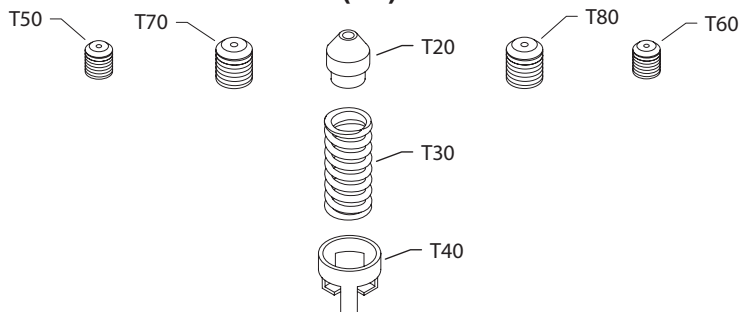
(37, 44, 45, 46 & 49)



(38)



(48)



See control drawing for orifice location

Orifice 34-49*Order code: 48*

Item	Date begin	Date end	Part number	Part name	Qty. per model/kit
T20	89-41		11061958	Orificed check valve, 0.81mm	1
T30	89-41		679506 (8700007)	Spring	1
T40	89-41		8801303	Spring retainer	1
T50	89-41		598292	Orifice plug, 0.8mm, M5 x 6	1
T60	89-41		598292	Orifice plug, 0.8mm, M5 x 6	1
T70	89-41		714477	Orifice plug, 0.8mm, M8 x 8	1
T80	89-41		714477	Orifice plug, 0.8mm, M8 x 8	1

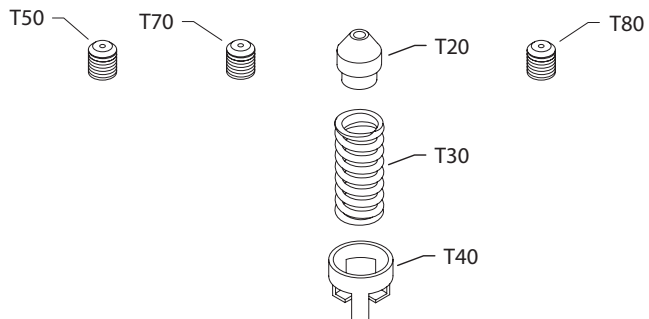
Order code: 49

T20	89-41		11061958	Orificed check valve, 0.81mm	1
T30	89-41		679506 (8700007)	Spring	1
T40	89-41		8801303	Spring retainer	1
T50	89-41		639120	Orifice plug, 1.0mm, M5 x 6	1
T60	89-41		639120	Orifice plug, 1.0mm, M5 x 6	1

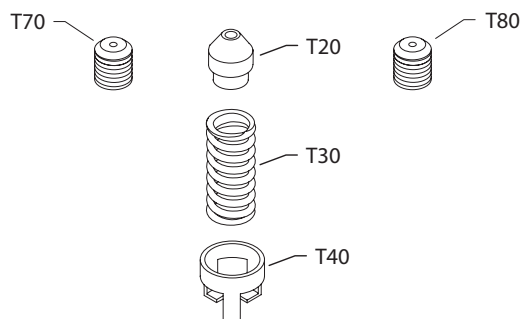
Orifice 50-A8

Parts configuration

(50)



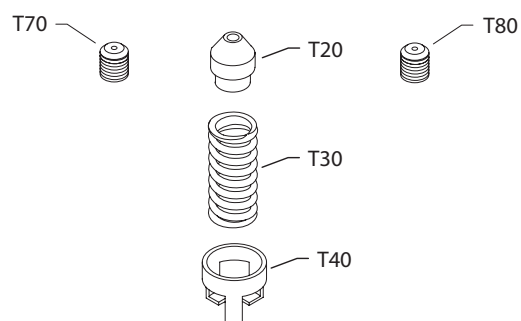
(54)



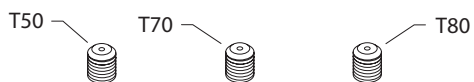
(64)



(76, 99, A5 & A8)



(82)



(84 & A4)



See control drawing for orifice location

Orifice 50-A8*Order code: 50*

Item	Date begin	Date end	Part number	Part name	Qty. per model/kit
T20	89-41		8801139	Orificed check valve, .026"	1
T30	89-41		679506 (8700007)	Spring	1
T40	89-41		8801303	Spring retainer	1
T50	89-41		310771	Orifice plug, 1.2mm, M6 x 6	1
T70	89-41		517571	Orifice plug, 0.9mm, M6 x 6	1
T80	89-41		517571	Orifice plug, 0.9mm, M6 x 6	1

Order code: 54

T20	89-41	12-29	11061970	Orificed check valve, 1.02mm	1
T30	89-41	12-29	679506 (8700007)	Spring	1
T40	89-41	12-29	8801303	Spring retainer	1
T70	89-41	12-29	755793	Orifice plug, 1.0mm, M8 x 8	1
T80	89-41	12-29	755793	Orifice plug, 1.0mm, M8 x 8	1

Order code: 64

T50	89-41		617159	Orifice plug, 1.8mm, M5 x 6	1
T60	89-41		617159	Orifice plug, 1.8mm, M5 x 6	1

Order code: 76

T20	89-41		8801139	Orificed check valve, .026"	1
T30	89-41		679506 (8700007)	Spring	1
T40	89-41		8801303	Spring retainer	1
T70	89-41		578542	Orifice plug, 0.8mm, M6 x 8	1
T80	89-41		578542	Orifice plug, 0.8mm, M6 x 8	1

Order code: 82

T50	89-41		310771	Orifice plug, 1.2mm, M6 x 6	1
T70	89-41		310771	Orifice plug, 1.2mm, M6 x 6	1
T80	89-41		310771	Orifice plug, 1.2mm, M6 x 6	1

Order code: 84

T70	89-41		310771	Orifice plug, 1.2mm, M6 x 6	1
T80	89-41		310771	Orifice plug, 1.2mm, M6 x 6	1

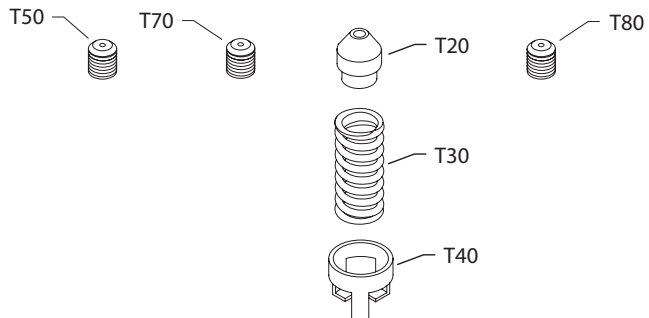
Order code: 99

T20	89-41		8801301	Orificed check valve, .047"	1
T30	89-41		679506 (8700007)	Spring	1
T40	89-41		8801303	Spring retainer	1
T70	89-41		517572	Orifice plug, 1.5mm, M6 x 6	1
T80	89-41		517572	Orifice plug, 1.5mm, M6 x 6	1

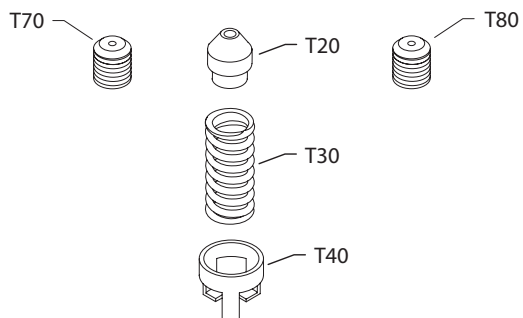
Orifice 50-A8

Parts configuration

(50)



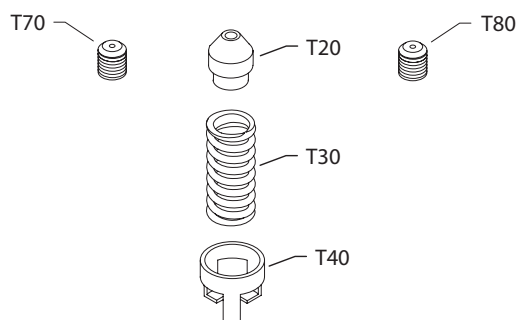
(54)



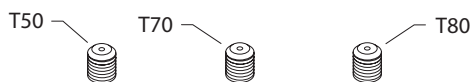
(64)



(76, 99, A5 & A8)



(82)



(84 & A4)



See control drawing for orifice location

Orifice 50-A8*Order code: A4*

Item	Date begin	Date end	Part number	Part name	Qty. per model/kit
T70	89-41		578542	Orifice plug, 0.8mm, M6 x 8	1
T80	89-41		578542	Orifice plug, 0.8mm, M6 x 8	1

Order code: A5

T20	89-41		11061970	Control orifice kit, 1.02mm	1
T30	89-41		679506 (8700007)	Spring	1
T40	89-41		8801303	Spring retainer	1
T70	89-41		578542	Orifice plug, 0.8mm, M6 x 8	1
T80	89-41		578542	Orifice plug, 0.8mm, M6 x 8	1

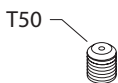
Order code: A8

T20	89-41		11061970	Control orifice kit, 1.02mm	1
T30	89-41		679506 (8700007)	Spring	1
T40	89-41		8801303	Spring retainer	1
T70	89-41		508014	Orifice plug, 1.0mm, M6 x 8	1
T80	89-41		508014	Orifice plug, 1.0mm, M6 x 8	1

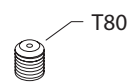
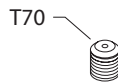
Orifice B1-G1

Parts configuration

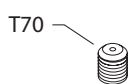
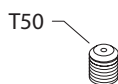
(B1, B7, B8, B9 & G1)



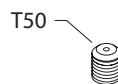
(B2)



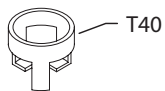
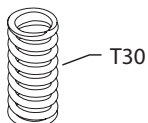
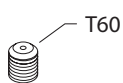
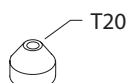
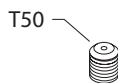
(B3 & BA)



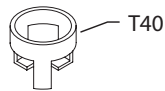
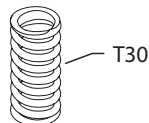
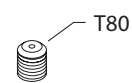
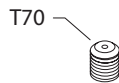
(C4)



(C5, C6 & C7)



(D1)



See control drawing for orifice location

Orifice B1-G1*Order code: B1*

Item	Date begin	Date end	Part number	Part name	Qty. per model/kit
T50	89-41		507042	Orifice plug, 1.5mm, M6 x 8	1

Order code: B2

T70	89-41		310771	Orifice plug, 1.2mm, M6 x 6	1
T80	89-41		310771	Orifice plug, 1.2mm, M6 x 6	1

Order code: B3

T50	89-41		507042	Orifice plug, 1.5mm, M6 x 8	1
T70	89-41		739144	Orifice plug, 0.8mm, M6 x 6	1
T80	89-41		739144	Orifice plug, 0.8mm, M6 x 6	1

Order code: B7

T50	89-41		578542	Orifice plug, 0.8mm, M6 x 8	1
-----	-------	--	--------	-----------------------------	---

Order code: B8

T50	89-41		508014	Orifice plug, 1.0mm, M6 x 8	1
-----	-------	--	--------	-----------------------------	---

Order code: B9

T50	89-41		516598	Orifice plug, 1.2mm, M6 x 8	1
-----	-------	--	--------	-----------------------------	---

Order code: BA

T50	89-41		516598	Orifice plug, 1.2mm, M6 x 8	1
T70	89-41		507042	Orifice plug, 1.5mm, M6 x 8	1
T80	89-41		507042	Orifice plug, 1.5mm, M6 x 8	1

Order code: C4

T50	89-41		639161	Orifice plug, 1.4mm, M5 x 6	1
T60	89-41		639161	Orifice plug, 1.4mm, M5 x 6	1

Order code: C5

T20	89-41		11061958	Orificed check valve, 0.81mm	1
T30	89-41		679506 (8700007)	Spring	1
T40	89-41		8801303	Spring retainer	1
T50	89-41		639161	Orifice plug, 1.4mm, M5 x 6	1
T60	89-41		639161	Orifice plug, 1.4mm, M5 x 6	1

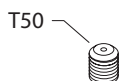
Order code: C6

T20	89-41		11061970	Control orifice kit, 1.02mm	1
T30	89-41		679506 (8700007)	Spring	1
T40	89-41		8801303	Spring retainer	1
T50	89-41		639161	Orifice plug, 1.4mm, M5 x 6	1
T60	89-41		639161	Orifice plug, 1.4mm, M5 x 6	1

Orifice B1-G1

Parts configuration

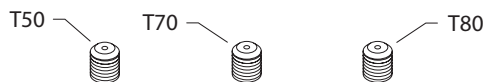
(B1, B7, B8, B9 & G1)



(B2)



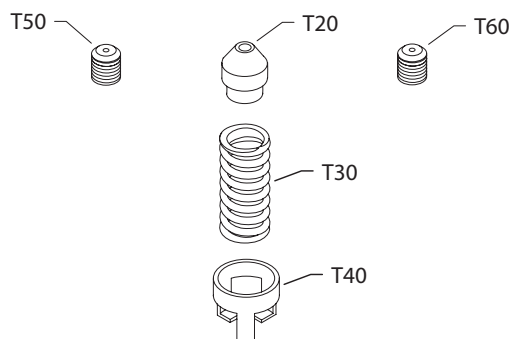
(B3 & BA)



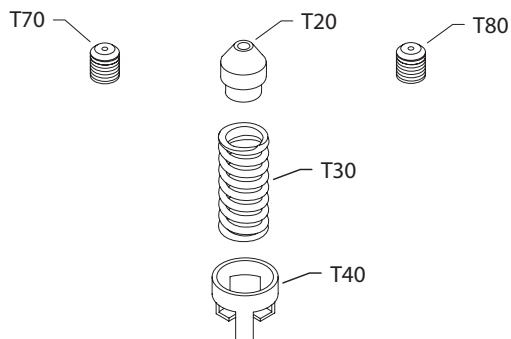
(C4)



(C5, C6 & C7)



(D1)



See control drawing for orifice location

Orifice B1-G1*Order code: C7*

Item	Date begin	Date end	Part number	Part name	Qty. per model/kit
T20	89-41		11061981	Control orifice kit, 1.37mm	1
T30	89-41		679506 (8700007)	Spring	1
T40	89-41		8801303	Spring retainer	1
T50	89-41		639161	Orifice plug, 1.4mm, M5 x 6	1
T60	89-41		639161	Orifice plug, 1,4mm, M5 x 6	1

Order code: D1

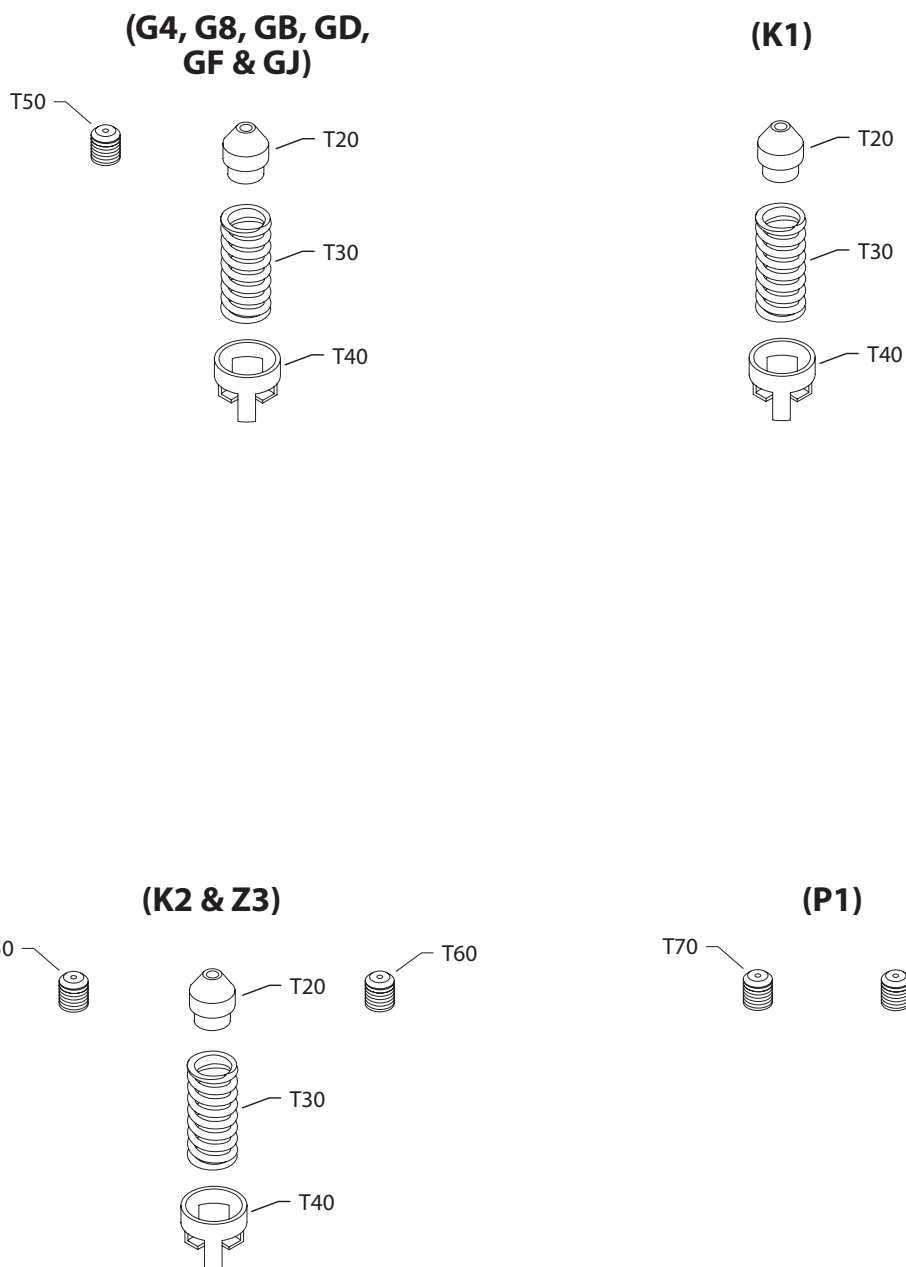
T20	89-41		11061981	Control orifice kit, 1.37mm	1
T30	89-41		679506 (8700007)	Spring	1
T40	89-41		8801303	Spring retainer	1
T70	89-41		043356	Orifice plug, 0.9mm, M6 x 8	1
T80	89-41		043356	Orifice plug, 0.9mm, M6 x 8	1

Order code: G1

T50	89-41		310771	Orifice plug, 1.2mm, M6 x 6	1
-----	-------	--	--------	-----------------------------	---

Orifice G4-Z3

Parts configuration



See control drawing for orifice location

Orifice G4-Z3*Order code: G4*

Item	Date begin	Date end	Part number	Part name	Qty. per model/kit
T20	89-41		8801136	Control orifice kit, .018"	1
T30	89-41		679506 (8700007)	Spring	1
T40	89-41		8801303	Spring retainer	1
T50	89-41		310771	Orifice plug, 1.2mm, M6 x 6	1

Order code: G8

T20	89-41		8801139	Orificed check valve, .026"	1
T30	89-41		679506 (8700007)	Spring	1
T40	89-41		8801303	Spring retainer	1
T50	89-41		310771	Orifice plug, 1.2mm, M6 x 6	1

Order code: GB

T20	89-41		11061958	Orificed check valve, 0.81mm	1
T30	89-41		679506 (8700007)	Spring	1
T40	89-41		8801303	Spring retainer	1
T50	89-41		310771	Orifice plug, 1.2mm, M6 x 6	1

Order code: GD

T20	89-41		11061993	Orificed check valve, 1.57mm	1
T30	89-41		679506 (8700007)	Spring	1
T40	89-41		8801303	Spring retainer	1
T50	89-41		310771	Orifice plug, 1.2mm, M6 x 6	1

Order code: GF

T20	89-41		11061970	Control orifice kit, 1.02mm	1
T30	89-41		679506 (8700007)	Spring	1
T40	89-41		8801303	Spring retainer	1
T50	89-41		310771	Orifice plug, 1.2mm, M6 x 6	1

Order code: GJ

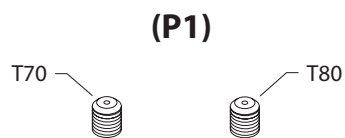
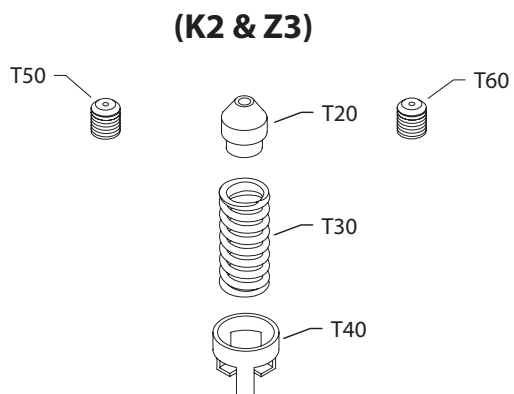
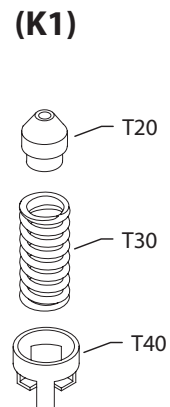
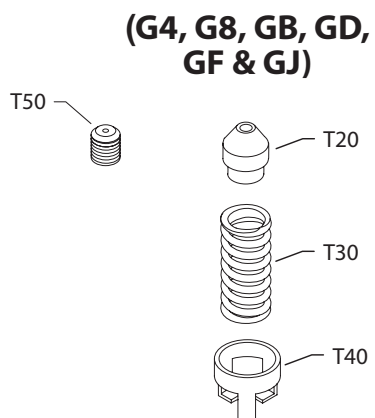
T20	89-41		11061970	Control orifice kit, 1.02mm	1
T30	89-41		679506 (8700007)	Spring	1
T40	89-41		8801303	Spring retainer	1
T50	89-41		310771	Orifice plug, 1.2mm, M6 x 6	1

Order code: K1

T20	89-41		11061981	Control orifice kit, 1.37mm	1
T30	89-41		679506 (8700007)	Spring	1
T40	89-41		8801303	Spring retainer	1

Orifice G4-Z3

Parts configuration



See control drawing for orifice location

Orifice G4-Z3*Order code: K2*

Item	Date begin	Date end	Part number	Part name	Qty. per model/kit
T20	89-41		11061958	Orificed check valve, 0.81mm	1
T30	89-41		679506 (8700007)	Spring	1
T40	89-41		8801303	Spring retainer	1
T50	89-41		639104	Orifice plug, 0.7mm, M5 x 6	1
T60	89-41		639104	Orifice plug, 0.7mm, M5 x 6	1

Order code: P1

T70	89-41		508014	Orificed check valve, 0.81mm	1
T80	89-41		508014	Spring	1

Order code: Z3

T20	89-41		11061970	Control orifice kit, 1.02mm	1
T30	89-41		679506 (8700007)	Spring	1
T40	89-41		8801303	Spring retainer	1
T50	89-41		519659	Orifice plug, 1.0mm, M6 x 6	1
T60	89-41		519659	Orifice plug, 1.0mm, M6 x 6	1

Overhaul seal kit

Overhaul seal kit

Item	Date begin	Date end	Part number	Part name	Qty. per model/kit
Q210	89-41		11035671	Overhaul seal kit, 130cc	1
Q210	89-41		11095651	Service kit, base pump, 130cc	1
B90	89-41		9803390	Filter screen	3
C70	89-41		308643-S	Screw	4
E40	89-41		042432	Seal nut, M10	2
E50	89-41		517379	O-ring	1
E60	89-41		517230	Screw (SB-2002-014 on page 243)	6
F11	89-41		9004100-2240	O-ring	2
F11	89-41		754150	O-ring	2
F12	89-41		507800	Piston ring	2
F12	89-41		754168	Piston ring	2
F40	89-41		354316	O-ring	2
F50	89-41		552224 (9004104-0360)	O-ring	2
F112	89-41		042432	Seal nut, M10	1
F124	89-41		066159	Seal nut, M12	1
F212	89-41		042432	Seal nut, M10	1
F224	89-41		066159	Seal nut, M12	1
G30	89-41		730895	End cap gasket	1
J40	89-41		11147582	O-ring	1
J50	89-41		505068	O-ring	1
K50	89-41		001156 (9004201-7500)	O-ring	1
L25	89-41		519732	Seal carrier assembly	1
N15	89-41		001172 (9004201-9000)	O-ring	1
N98	89-41		9004104-0320	O-ring	1
P02	89-41		775080	O-ring	2
P06	89-41		360784 (9004105-0290)	O-ring	2
P13	89-41		775155	O-ring	2

Service Bulletins

BLN-10107

To improve efficiency and reliability, the number of parts in series 90 pumps is being reduced. The charge pump design on 55 cc - 130 cc frame sizes is being changed so that the outer port plate is an integral part of the charge pump cover and distance plates are eliminated. The change is taking effect at the following manufacturing dates:

55 cc: 93-10	75 cc: 93-10	100 cc: 93-15	130 cc: 93-34
--------------	--------------	---------------	---------------

For auxiliary pad options, the new charge pump cover is rotation dependent. The cover will be marked as either left hand (L) or right hand (R). The non-auxiliary pad cover is not rotation dependent.

The charge pump shaft also changes and must be replaced when using the new style hardware. The complete charge pump assembly can be interchanged with corresponding hardware from 89-17 and beyond. However, piece parts are not interchangeable. For units prior to 89-17, consult Sauer-Danfoss.

The old design charge pump hardware is obsolete and is no longer available. Refer to the chart on the next page to determine the replacement kit.

The following information must be known to determine the correct charge pump replacement kit:

1. Unit size (055, 075, 100, or 130 cc)
2. Charge pump displacement (11, 14, 17, 20, 26, or 34 cc)
3. Auxiliary pad (Yes or No)
4. Rotation (LH or RH)

SB-1991-014

Products affected

Series 90 130 cc variable pumps

Subject

Multi-function valve installation torque

Description

To avoid damaging the multi-function valve cartridge used on 130cc variable pumps, the torque has been lowered from 206 lbf·ft (279 Nm) to 155 lbf·ft (210 Nm).

The series 90 service manual will be changed to show the lower installation torque at its next revision.

Models affected

All 97-2xxx pumps

Serial numbers

All

Part numbers affected

All

Parts disposition

Not applicable

SB-1992-003A

Products affected

Series 90: 55, 75, 100, 130 cc pumps

Subject

Block point change: components redesign

Description

As part of our overall series 90 product improvement program, numerous components are being redesigned. This redesign is referred to as a "block point" change. The objective of the block point change is to minimize the number of times we change the units while we convert to high volume tooling at various plant sites. These design improvements will provide increased reliability and more application flexibility. The nature of these changes makes customer requalification unnecessary. Old style (pre-block point) variable housings and end caps will no longer be available as spare parts.

Frame size: 130 cc

Item	Description	Pre "blockpoint" Part Number	New Part Number (92-19 & Later)
Common Parts Group, 130 cc			
B10	Variable housing	700237(O)	8510060
E10	Side cover	340133	746107
E20	Leveler	701037	730143
E30	Guide post	340117	746255
E40	Screw	364489 (4)	042432 (2) Seal Nut
B82	Plug	n/a	9005110-5600
End Cap Group, 130 cc			
G308	End Cap gasket	709816(I)(O)	730895(I)
G908	Screw	376624	713719
G958	Screw	527218	9007314-0811
Special Hardware Features Group, 130 cc			
B83	Plug-Speed Pick-up	n/a	9005110-5600

 Warning

On 130cc pumps, "pre" and "Post" blockpoint controls are not interchangeable due to different length control pins.

Control Group, 130 cc

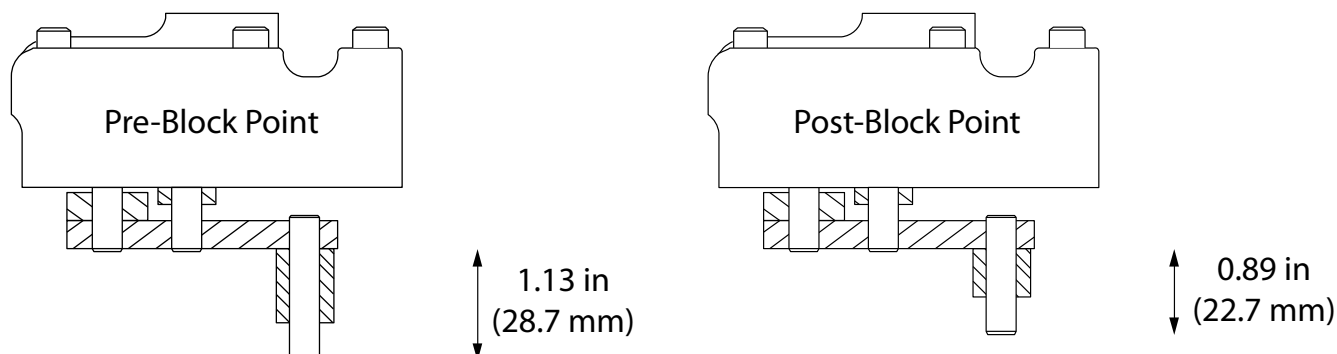
All Control Types-Delete The Following Parts:

M810	Plate	738203(O)	N/A
M820	O-ring	9004104-0440	N/A
M830	O-ring	9004100-0220	N/A
M840	O-ring	9004101-0130	N/A
M860	Screw	345496	N/A
M870	Plug	9005100-4400	N/A
M880	Washer	723981	N/A

(I) Interchangeable

(O) Obsolete

SB-1992-003A



Warning

On 130cc pumps, "pre" and "Post" blockpoint controls (MDC's, HDC's and EDC's) are not interchangeable due to different length control pins. Ensure positive pin engagement. Failure to do so may result in pump output, and the vehicle may move.

Controls, 130 cc

Module Groups	Description	Pre "blockpoint" Part Number	New Part Number (92-19 & Later)
MEA	EDC kit MS connector	MCV111B1302	See EC Group
MEP	EDC kit Packard	MCV111B1304	See EE Group
MEC	EDC, MS, standard	MCV114A1402	MCV114B1302
MEE	EDC, Packard, standard	MCV114A1404	MCV114B1304
MEG	EDC, MS, annular	MCV114C1402	MCV114D1302
MEH	EDC, Packard, annular	MCV114C1404	MCV114D1304
MHA	HDC, 1-11 bar	MCV112A1302	See HK Group
MHB	HDC, 1-6.7 bar	MCV112A1301	See HM Group
MHC	HDC, 3-11 bar	MCV112A1303	See HF Group
MHF	HDC, 3-11 bar, standard	MCV115A1403	MCV115A1303
MHG	HDC, .8-4.6 bar, annular	MCV115B1405	MCV115B1305
MHH	HDC, 1-11 bar, annular	MCV115B1402	MCV115B1302
MHJ	HDC, 3-11 bar, annular	MCV115B1403	MCV115B1303
MHK	HDC, 1-11 bar, standard	MCV115A1402	MCV115A1302
MHL	HDC, .8-4.6 bar, standard	MCV115A1405	MCV115A1305
MHM	HDC, 1.1-6.7 bar, standard	MCV115A1401	MCV115A1301
MHN	HDC, 1.1-6.7 bar, annular	MCV115B1401	MCV115B1301
MMA	MDC w/o nss	8302MOMA-A	8302MOMA-B
MMB	MDC w/ nss	8302MOMB-A	8302MOMB-B

Models affected

All series 90 94-2xxx, 95-2xxx, 96-2xxx, and 97-2xxx variable pumps

Serial numbers

Changes will take place at the serial number 92-19-xxxx for 130 cc pumps

Part numbers affected

Refer to text of this bulletin for specific part numbers.

Housing:	(all frame sizes) Thickness adjacent to the side cover has been increased.
Side Cover:	(100 cc & 130cc only) Thickness increased.
End Cap:	(all frame sizes) Match housing change; small end cap screws (55 cc-100 cc) will be larger; the orientation of the charge relief valve on side port end caps has been changed from an oblique to a vertical orientation.
Controls:	(130cc only) Eliminate mounting plate, three-pin link change.
Side Cover:	(130cc only) Swashplate hold-down ("T-bar") mounting will be changed to commonize the design with the smaller displacement units

Note: Reference PIB-9102 for design changes and outline dimensions.

Parts disposition

Non-interchangeable

SB-1994-025

Products affected

Series 90 130 cc variable pumps

Subject

Charge pump design change

Description

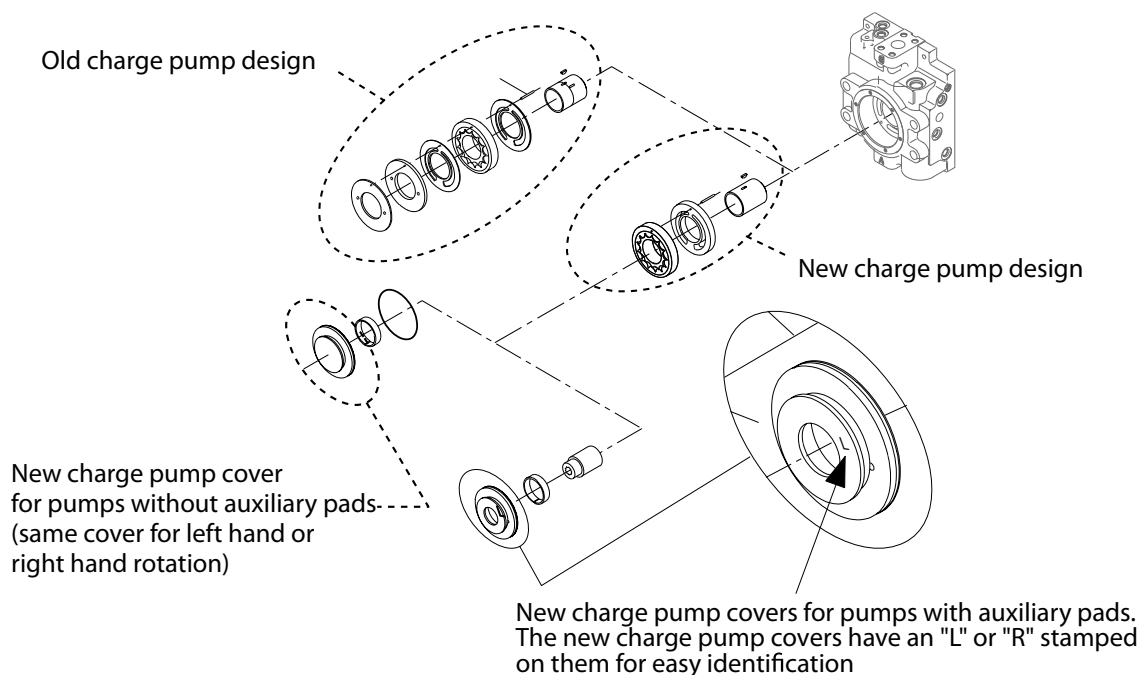
To improve efficiency and reliability, the number of parts in the charge pump is being reduced. The charge pump on the 130 cc frame size is changing such that the outer port plate (H30) is an integral part of the charge pump cover (J15) and the distance plates are eliminated.

For auxiliary pad options, the new charge pump cover is rotation dependent. The cover will be marked either left hand (L) or right hand (R). The non-auxiliary pad cover is not rotation dependent.

The charge pump shaft also changes and must be replaced when using the new style hardware. The complete charge pump assembly can be interchanged with corresponding hardware.

However, piece parts are not interchangeable.

SB-1994-025



Models affected

All 97-2xxx and 972xxxx variable pumps

Serial numbers

Change occurred at serial number N-93-34-xxxxx

Part numbers affected

Obsolete Charge Pump Parts			Chg. pump displacement	Auxiliary pad	Rotation	Replacement Kit
Gear Set	Shaft	Cover				
714444	303636	347518	20 cc	No	LH or RH	8510064
		347526		Yes	LH	8510065
		347526		Yes	RH	8510066
714451	303636	347518	26 cc	No	LH or RH	8510067
		347526		Yes	LH	8510068
		347526		Yes	RH	8510069
714469	303636	347518	34 cc	No	LH or RH	8510070
		347526		Yes	LH	8510071
		347526		Yes	RH	8510072

Parts disposition

Interchangeable - piece parts are not interchangeable

SB-1994-036

Products affected

Series 90 55 thru 130 cc variable pumps

Subject

Integral filtration manifold

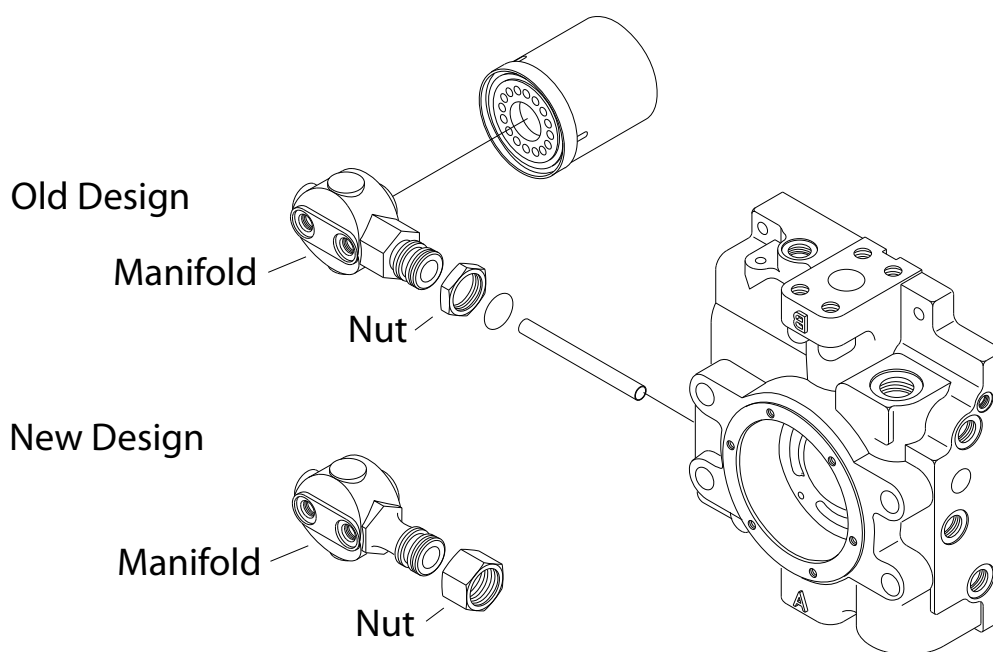
Description

As a product improvement, Sauer-Danfoss is changing the integral filter manifold and bulkhead nut to make it more easily indexed.

The old bulkhead nut may be used with either the old or new filter manifold. The new bulkhead nut can only be used with the new filter manifold.

The old bulkhead nut will remain available as a service part. The old filter manifold will be obsoleted and no longer available as a service part.

SB-1994-036



Models affected

All series 90 55 thru 130 cc variable pumps with "L", "M", or "P" filtration option code

Serial numbers

Change occurred at serial number 95-18-xxxxx

Part numbers affected

Description	Part number (prior to 95-18)	Part number (95-18 & beyond)
Filter manifold	8800200	8800896
Bulkhead nut	9002863-1600	5000222

Parts disposition

Interchangeable - new bulkhead nut can only be used with new filter manifold

SB-1995-003

Products affected

Series 90 variable pumps - all frame sizes

Subject

Manual displacement control (MDC) with DC electric solenoid override

Description

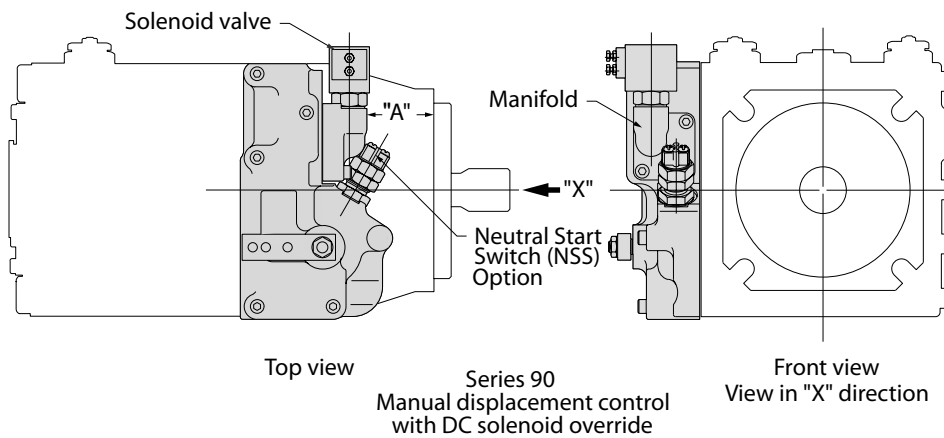
In order to accommodate our European customers, the manifold which attaches to the front of the manual displacement control (MDC) housing is being changed.

The European solenoid valve requires a thicker manifold to provide clearance between the solenoid and the front of the MDC housing. The revised manifold will protrude closer to the mounting flange of the pump, reducing dimension "A" shown in the accompanying drawing by approximately 5 mm [0.2 in]. Please see chart below for specific clearances.

The thicker manifold requires longer screws and may be used with either the U.S. or European sourced solenoid.

This change will become effective during March of 1995. The old manifold will be obsoleted and no longer available as a service part.

SB-1995-003



Frame size		42	55	75	100	130
Dimension "A" mm [in]	Current	39.9 [1.57]	55.9 [2.20]	54.1 [2.13]	60.2 [2.37]	74.4 [2.93]
	Future	34.9 [1.37]	50.9 [2.0]	49.1 [1.93]	55.2 [2.17]	69.4 [2.73]

Models affected

All series 90 variable pumps using MDC with DC electric solenoid override.

Serial numbers

Change will take place in March 1995.

Part numbers affected

Description	Current part number	New part number	Quantity
Manifold	8800365	505022	1
Screw	9007314-0605	9007314-0606	2

Parts disposition

Interchangeable (new manifold requires longer screws)

SB-1996-004

Products affected

Series 90 42, 130, 180, and 250cc variable pumps

Subject

Side cover design change

Description

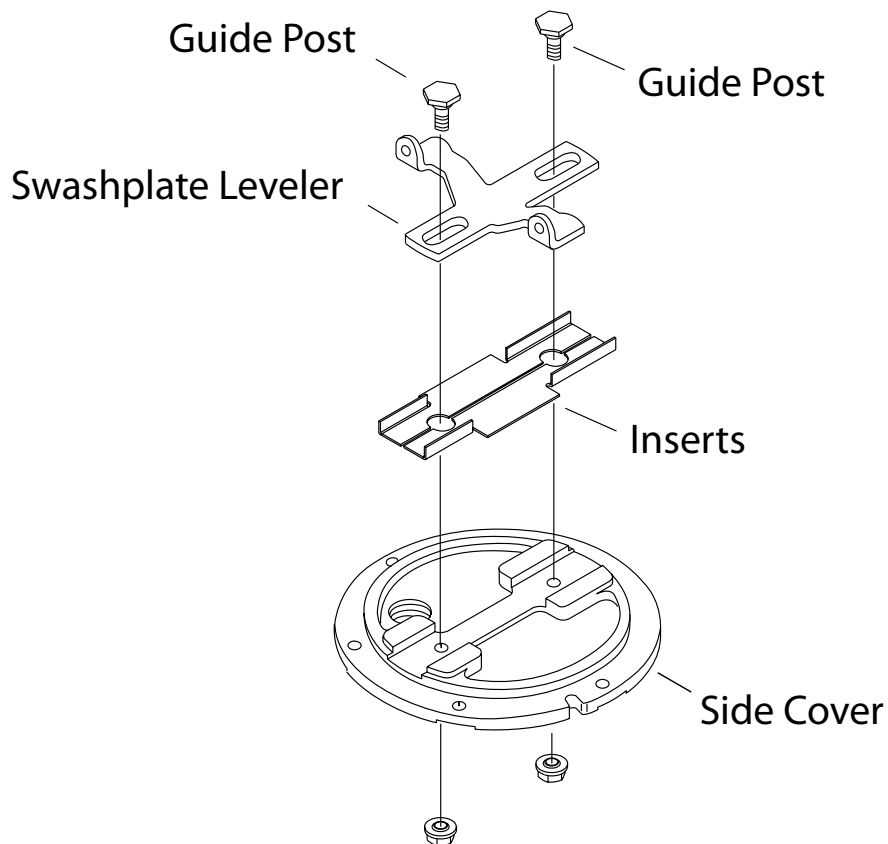
As a product improvement, Sauer-Sundstrand is changing the side cover and swashplate leveler (T-Bar) guide post design.

The new design side cover will have two hardened inserts in the machined slot which serves as a guide for the swashplate leveler, and modified guide posts. The swashplate leveler does not change.

Old guide posts will remain available for service requirements of pumps with the old design side cover.

The old style side cover will be obsoleted and no longer available as a service part. A service kit has been created for replacing the old design side cover. The kit includes the new side cover, guide posts and inserts. Piece parts are not interchangeable.

SB-1996-004



Models affected

All series 42, 130, 180, and 250cc variable pumps

Serial numbers

Change occurred at serial number N-96-08-xxxxx.

Part numbers affected

Old part numbers			New part numbers		
Description	Guide post	Side cover	Insert assy.	Guide post	Replacement kit
42 cc	344465	751305	506916	506369	506380
130 cc	503205	746107	8300004	506368	11027814
180 cc	503205	746404	506914	506368	506290
250 cc	503205	746404	506914	506368	506290

Parts disposition

Interchangeable - piece parts are not interchangeable

SB-1997-018

Products affected

Series 90 130 cc variable pumps

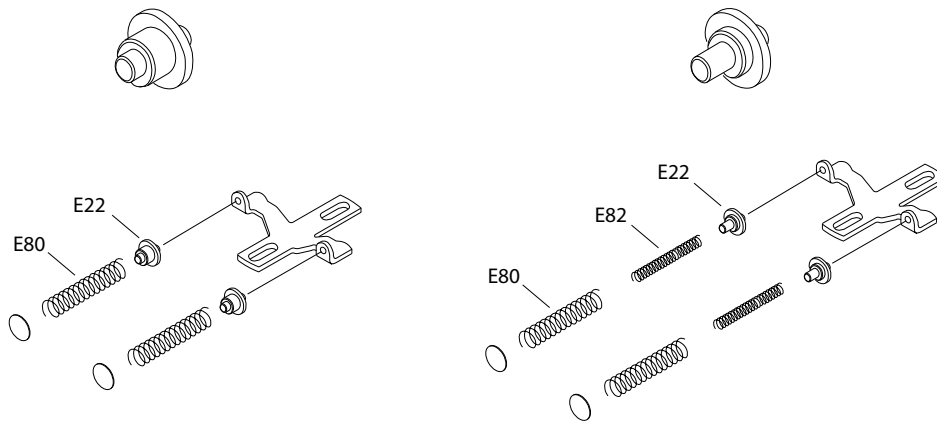
Subject

Swashplate leveler spring and spring seat change

Description

As a product improvement, Sauer-Danfoss has changed the design of the springs and spring seats used on the swashplate leveler from two springs to four springs. The older spring and spring seat are obsolete and no longer available as a service part.

SB-1997-018



Old Design

New Design

Spring identification	Old spring	New springs	
		E80	E82
Free length	106.44 mm [4.19 in]	111.4 mm [4.38 in]	95.25 mm [3.75 in]
O.D.	28.5 mm [1.1122 in]	28.07 mm [1.11 in]	17.02 mm [.67 in]

Models affected

All 97-2xxx and 972xxxx variable pumps

Serial numbers

Change occurred at serial number N-97-08-xxxxx

Part numbers affected

Item no.	Description	Old p/n	Qty	New p/n	Qty
E22	Spring seat	367037	2	8300011	2
E82	Spring	-	-	8300009	2
E80	Spring	503091	2	8300010	2

Parts disposition

Interchangeable - only if springs and seats are changed together

SB-1999-010

Products affected

Series 90 130 cc variable pumps

Subject

Swashplate leveler design change

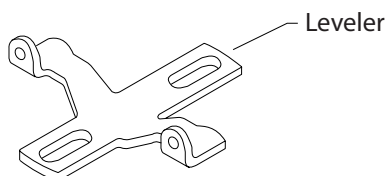
Description

Sauer-Danfoss has changed the design of the swashplate leveler used on Series 90 130 cc variable displacement pumps. Previously, the Series 90 130 cc pumps used two different leveler designs on a production basis. One leveler (730143) was used in pumps which were not equipped with an integral speed sensor and a second leveler (510780) was used specifically for pumps equipped with a speed sensor.

The new leveler is designed and manufactured to be compatible for use in both non speed sensor and speed sensor equipped Series 90 130 cc pumps. This change improves the initial assembly and servicing of the pumps by increasing the parts commonality.

The new leveler is completely interchangeable with both of the previous levelers. The previous two levelers have been obsoleted and are no longer available as service parts.

SB-1999-010



Models affected

All 97-2xxx and 972xxxx variable pumps

Serial numbers

Change occurred at serial number N-98-40-xxxxx

Part numbers affected

Integral speed sensor equipped	Previous to N-98-40	Current
Yes	510780	511052
No	730143	511052

Parts disposition

Interchangeable - piece parts are not interchangeable

SB-1999-041

Products affected

Series 90 variable pumps

Subject

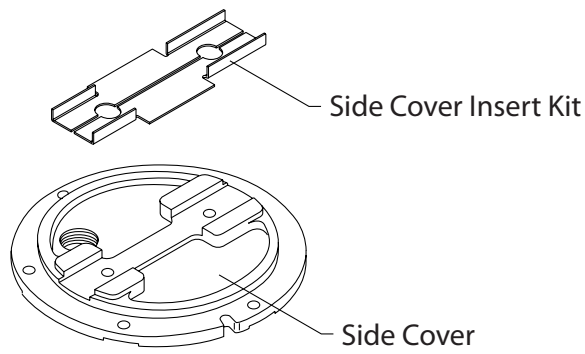
Change to side cover insert material

Description

As a continuous product improvement, Sauer-Danfoss has changed the side cover insert material to improve wear characteristics. The new material is more wear resistant than the previous material.

In order to track this change, new part numbers have been created and the old part numbers will be obsolete.

SB-1999-041



Models affected

93-2xxx, 94-2xxxx, 95-2xxx, 96-2xxxx, 97-2xxx, 98-2xxx, and 99-2xxx

Serial numbers

Frame size	NMS effectivity date	Ames effectivity date
42 cc	N-99-36-xxxxx	N/A
55 cc	N-00-18-xxxxx	A-00-18-xxxxx
75 cc	N-99-26-xxxxx	A-00-38-xxxxx
100 cc	N-99-31-xxxxx	A-00-38-xxxxx
130 cc	N-99-33-xxxxx	N/A
180 cc	N-99-36-xxxxx	N/A
250 cc	N-99-36-xxxxx	N/A

Part numbers affected

Frame size	Old part number	New part number
42 cc	506916	513885-S
55 cc	8000406	513886-S
75 cc	8000562	513888
100 cc	8200321	513889-S
130 cc	8300004	513890-S
180 cc	506914	513891
250 cc	506914	513891

Parts disposition

Interchangeable

SB-1999-065A

Products affected

Series 90 75, 100, 130, 180, and 250cc variable displacement pumps

Subject

Hydraulic displacement control gasket and swashplate bearing locator pin retention

Description

The Series 90 75cc, 100cc, 130cc, 180cc, and 250cc variable displacement pumps utilize a common gasket to seal the joint between the displacement control housing and main pump housing.

In November 1998, Sauer-Danfoss introduced a new gasket design for Hydraulic Displacement Controls (HDC - all options), version 2 Electrical Displacement Controls (EDC2 - options EE and EN), and two amp current control (options PA and PB) equipped pumps (see SB-1998-038). The purpose of this gasket is primarily to seal the joint and aid in the retention of the bearing cage locator pin in the main pump housing. Sauer-

Danfoss has identified that the new gasket may not adequately aid in the retention of this pin in 75cc pump sizes due to casting and machining tolerances. Installations which are particularly sensitive to pin retention include those oriented with the control on the side or on the bottom when the pump is installed. In these types of installations, it is possible for the pin to come out of its position in the pump housing. This will result in a loss of alignment between the swashplate and swashplate bearing assembly and the potential for erratic pump control and/or system performance.

To address this situation, Sauer-Danfoss has introduced a design modification to the control gasket. The modification will insure that the cage locator pin is retained in 75cc pumps in all circumstances, while still maintaining the desired gasket clamp load to avoid leaks.

The new gasket is completely interchangeable with the previous gasket. Sauer-Danfoss recommends that the previous control gasket be replaced immediately on 75cc pump assemblies, with controls noted above, in which the control is on the side or on the bottom of the pump. The pump serial numbers involved are A-98-41-xxxx through A-99-49-xxxx. It is not required to replace the gasket in pumps with the control in the up position, until the initial servicing of the pump assembly.

The 100cc, 130cc, 180cc, and 250cc pumps are not dependent upon the gasket to maintain retention of the bearing cage locator pin and are not affected by the information above.

The new gasket has replaced the previous gasket in all new pump assemblies with Hydraulic Displacement Control (HDC), version 2 Electrical Displacement Control (EDC2 - EE and EN), and two amp current (PA and PB) controls. The new gasket has also been placed in all appropriate control kits and overhaul seal kits. Page 3 of this bulletin will assist you in identifying the new gasket from the previous gasket.

Models affected

95-2xxx, 952xxxx, 96-2xxx, 962xxxx, 97-2xxx, 972xxxx, 98-2xxx, 982xxxx, 99-2xxx, and 992xxxx variable displacement pumps equipped with hydraulic displacement controls and specific option electronic displacement control. (EE, EN, PA, PB)

Serial numbers

Sauer-Danfoss Ames 75cc pump production: A-99-50-xxxx.

Sauer-Danfoss Ames 100cc pump production: A-00-25-xxxx.

Sauer-Danfoss Neumunster production: N-00-01-xxxx.

Part numbers affected

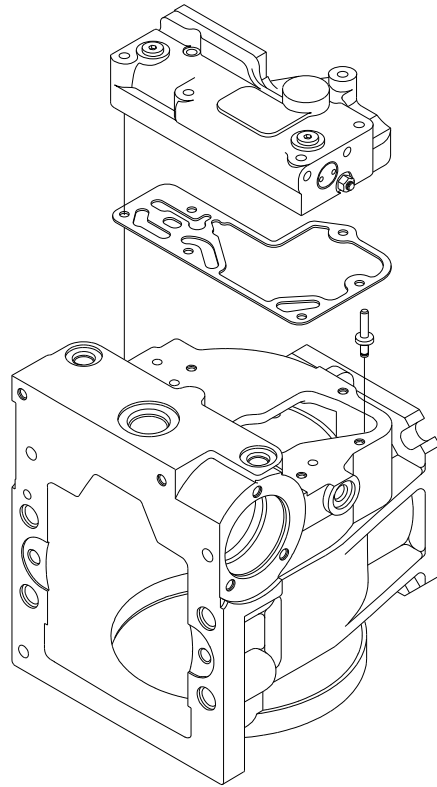
Previous gasket	New gasket
511608	8801241

Parts disposition

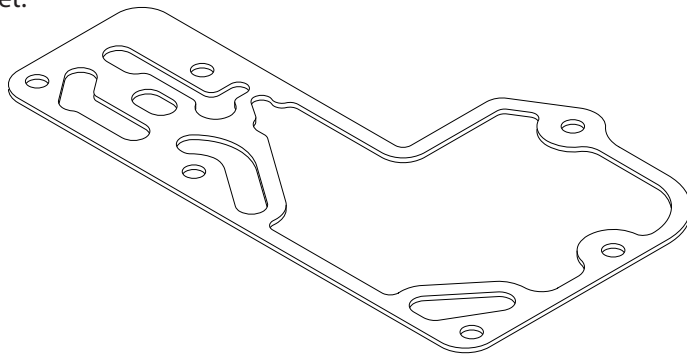
Interchangeable

SB-1999-065A

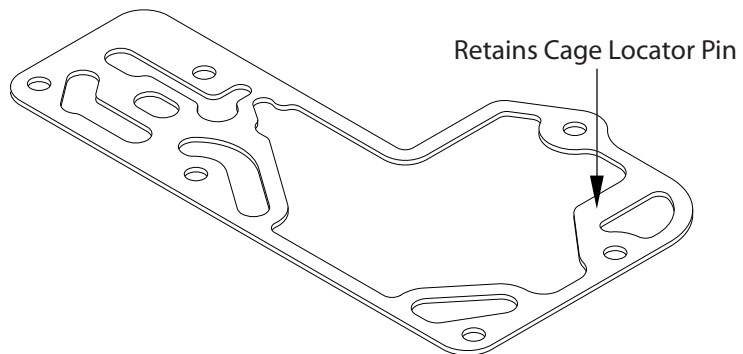
Control Gasket Location:



Previous Gasket:



New Gasket:



SB-2000-022

Products affected

Series 90 75, 100, and 130 cc variable displacement pumps

Subject

Displacement limiter screw and servo piston change

Description

Sauer-Danfoss has identified a product issue affecting a limited number of Series 90 100cc variable displacement pumps built at the Ames, Iowa, USA facility in the time frame of June 2000 through August 2000 (serial date range A-00-23-xxxx up to and including A-00-34-xxxx). This same issue also affects a limited number of Series 90 75cc, 100cc, and 130cc variable displacement pumps built at the Neumunster, Germany facility in the time frame of June 2000 through September 2000 (serial date range N-00-23-xxxx up to and including A-00-39-xxxx).

These pumps, equipped with displacement limiters, may have a servo piston with large center drills. These large center drills may allow the displacement limiter screw to thread into the servo piston while turning the screw in against the servo piston while adjusting the pump's displacement. If this occurs, the pump will be mechanically held in stroke by the displacement limiter screw. This situation can only happen during adjustment; it will not occur during normal operation.

Sauer-Danfoss has introduced a change to the servo piston and the displacement limiter screw to prevent the reoccurrence of this issue. We have made a change to the servo piston to limit the size of the center drill. We have also changed the design of the service displacement limiter screw from a "flat" point to a "dog nose" point. When servicing a pump that meets the above criteria, you must verify that the displacement limiter screw is the new "dog nose" version. If it is not, you must replace the displacement limiter screw with the new version. If the pump is not inside the date code ranges and displacements mentioned, you do not need to verify the version of the displacement limiter screws.

To assist in tracking this change, we have issued new part numbers for the servo pistons and displacement limiter screws. Even though this issue did not affect the 42cc or 55cc pumps, the service displacement limiter screw part number will change also to keep one common service part. We do this as the same displacement limiter screw is used on 42cc, 55cc, 75cc, and 100cc pumps.

SB-2000-022



Old
"Flat Point"
Displacement Limiter Screw



New
"Dog Nose"
Displacement Limiter Screw

Models affected

All 95-2xxx, 952xxxx, 96-2xxx, 962xxxx, 97-2xxx, and 972xxxx variable displacement pumps with 1, 2, 4, or P displacement limitation option.

Serial numbers

Sauer-Danfoss Ames 100cc production with serial number A-00-23-xxxx up to and including A-00-34-xxxx.

Sauer-Danfoss Neumunster, Germany production with serial number N-00-23-xxxx up to and including A-00-39-xxxx.

Part numbers affected

Frame size	Old servo piston	New servo piston	Old screw	New screw
42 & 55cc	N/A	N/A	9007712-0814	516677
75 cc	509282	516683	9007712-0814	516677
100 cc	509284	516684	9007712-0814	516677
130 cc	510496	516685	572180	516678

Parts disposition

Interchangeable

SB-2002-014

Products affected

Series 90 42, 130, 180, and 250cc variable pumps

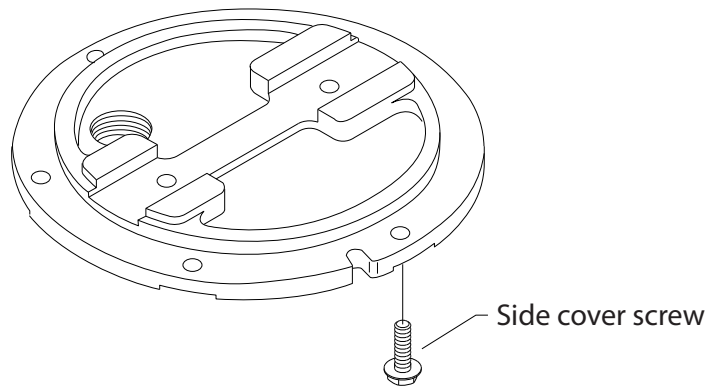
Subject

Side cover screw change

Description

Sauer-Danfoss has changed the locking compound used on the side cover screws. We have assigned new part numbers to track this change. The old screw part numbers are obsolete. They are no longer available for service.

SB-2002-014



Models affected

All 42, 130, 180, and 250 cc variable pumps

Serial numbers

N/A

Part numbers affected

Description	Previous part number	New part number
Screw-hex flange, M6 x 16	508437	517229
Screw-hex flange, M10 x 20	508439	517230
Screw-hex flange, M10 x 25	508441	517231

Parts disposition

Interchangeable

SB-2007-008A

Products affected

Series 90 130 cc variable pumps

Subject

Redesign block point change

Part numbers affected

As a global improvement, the series 90 130cc pump has the following redesigned components: servo arm, swashplate guide, pump housing, shaft seal assembly, cradle bearing, swashplate locator link pin, servo arm screw, and leveler.

All parts are non-interchangeable with the exception of the locator link pin and shaft seal assembly. Model numbers and order codes will not be changed.

Servo arm: A "one piece" servo arm is introduced. The pin that engages the servo piston is now machined as part of the servo arm instead of pressed in. The old servo arm will remain available as a service part for a period of time.

Swashplate Guide: The swashplate position is now guided by the fit between the servo arm and the pump housing. A "shelf" on the servo arm fits under a boss in the housing to provide a fixed clearance swashplate hold-down. The swashplate was previously held down with a spring and bracket, which was riveted to the servo arm. The servo arm to housing clearance now limits lateral movement of the swashplate. The swashplate guide that was bolted to the bottom of the swashplate has been removed. The separate swashplate guide will remain available as a service part for a period of time.

Housing: The housing is modified internally to provide the servo arm pivot. Also, the cradle and side cover radii are reduced. Some customers may notice cosmetic external changes. The old housing will be obsoleted and no longer available as a service part.

Shaft seal assembly: The shaft seal assembly is interchangeable, but the piece parts are not. The new lip seal has a smaller O.D. and the I.D. of the seal carrier changed accordingly. The old shaft lip seal will remain available as a service part.

Overhaul seal kit: A new overhaul seal kit has been created that will service both old and new design pumps. The new seal kit also has additional O-rings and seal nuts required for a more complete repair. The old seal kit will be obsoleted and no longer available.

Cradle bearing: The new design is cold formed with the positioning pin now integral with the bearing. The old cradle bearing will remain available as a service part for a period of time.

Locator link pin: The new locator link pin has a rubber gripping element added to help hold it in position during assembly. The new locator link pin is interchangeable with the old locator link pin. The old locator link pin is obsolete and no longer available for service.

Screw: One of the two screws that hold the servo arm to the swashplate has changed from a M10 to a M8 screw. See drawing for details.

Leveler: All 130cc pumps now use a leveler and two spring seats. The new leveler plus spring seats are interchangeable with the old leveler. The old leveler is obsolete and no longer available for service.

Models affected

All series 90 130cc variable pumps

Serial numbers

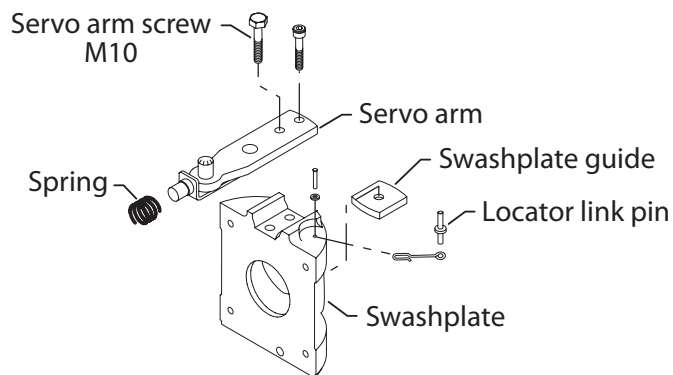
Change occurred at serial number N-07-10-xxxxx

Part numbers affected

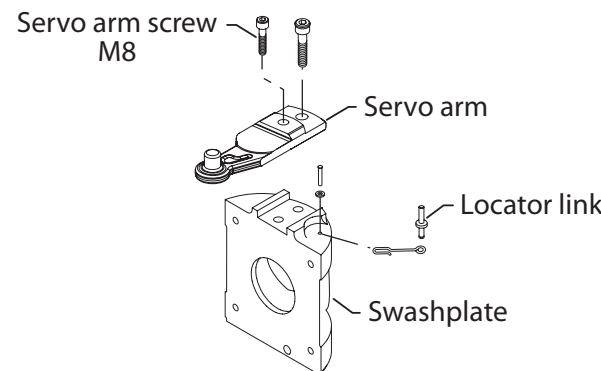
Description	Old part number	New part number
Servo arm	303214	11000397
Servo arm screw	9007276-0111	519150
Swashplate	516204-S	11001678

(continued)

Description	Old part number	New part number
Pin	754606	11003805
Cradle bearing	324657	11000866
Swashplate guide	766022	Not used
Spring	303420	Not used
Seal carrier assembly	510018	519732
Shaft lip seal	900800000-0114	519021
Housing	503426	11000395
Housing PPU special	515350	11006984
Housing PPU assembly	8510060	11026913
Side cover	501576	11001326
Leveler	508311	511052
Spring seats	None	8300011
Overhaul seal kit	83020530	11035671



Old Design



New Design

Parts disposition

Interchangeable - piece parts are not interchangeable

SB-2009-074

Products affected

Series 90 42, 130, 180 and 250cc variable pumps

Subject

SAE A auxiliary mounting flange, O-ring seal

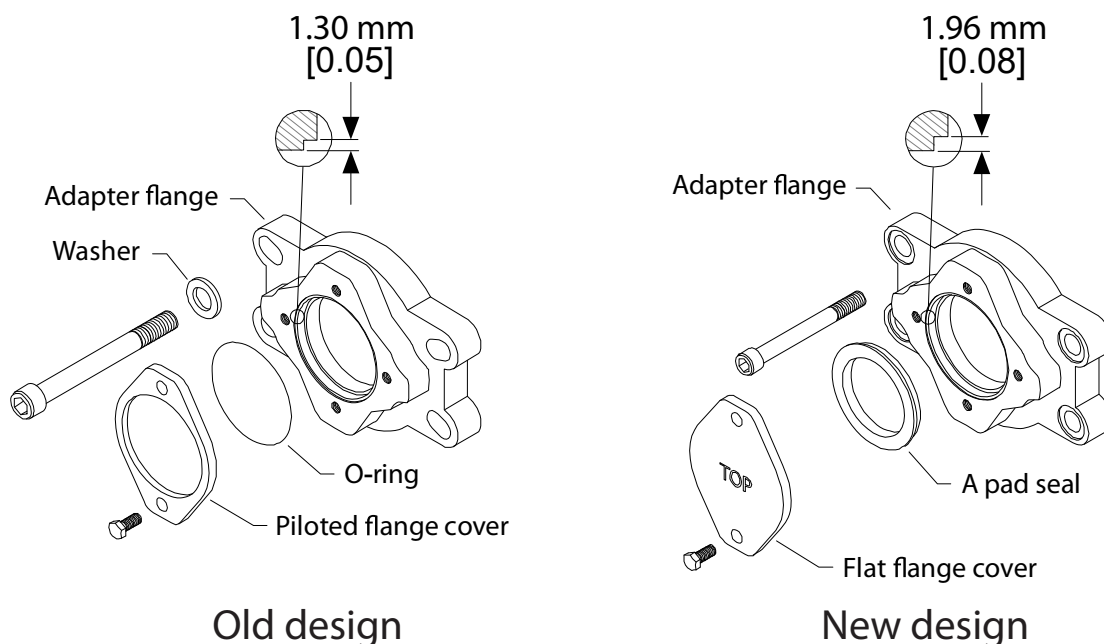
Description

Sauer-Danfoss is pleased to announce a design improvement on the SAE A auxiliary mounting flange adapter on its series 90 pumps. The frame sizes affected by this change are 42, 130, 180 and 250cc. All manufacturing locations producing these pumps will be changed to this configuration.

The improvement comes in the form of a more robust sealing geometry with a larger cross-section O-ring. The O-ring groove in the flange will now be sized to mate with a 2.62mm [0.103"] cross-section O-ring rather than the old 1.78mm [0.070"] cross-section O-ring. The Sauer-Danfoss part number for the new O-ring is 9004104-1520 (2.62mm [0.070"] x 82.22mm [3.237"]). The larger cross-section sealing geometry allows for the use of a donut style A pad seal and a new flat cover for improved assembly. This new configuration is qualified as a running cover. When installing an auxiliary pump, the donut style A pad seal must be discarded and the part number 9004104-1520 O-ring used.

The pumps will now be supplied with the donut style seal and new flat cover, instead of the small O-ring and stepped cover plate (shown in the drawing below).

SB-2009-074

**Models affected**

All series 90 42, 130, 180 and 250cc pumps with an SAE A auxiliary mounting flange.

Serial numbers

Change became effective at serial number N-09-30-xxxxx. (20 July 2009)

Part numbers affected

Description	Old part number	New part number	Used on
A flange adapter	511040	520944	42cc
A flange adapter	505113	520946	130cc
A flange adapter	505136	520949	180 and 250cc
O-ring	9004104-0420	9004104-1520	all sizes
A pad seal	N/A	4800482	all sizes
Flange cover	9802336	4460586	all sizes

Parts disposition

Interchangeable if new O-ring or if the pad seal and new cover are used.

SB-2009-075

Products affected

Series 90 42, 130, 180 and 250cc variable pumps

Subject

SAE B auxiliary mounting flange, O-ring seal

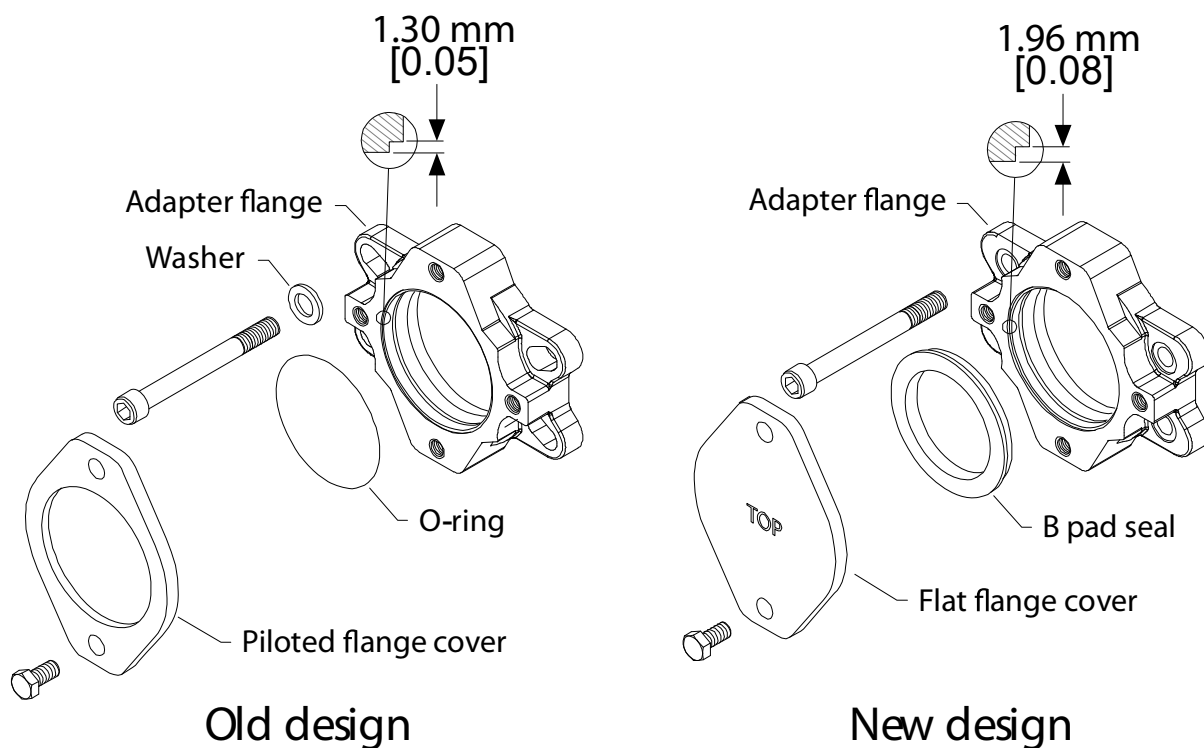
Description

Sauer-Danfoss is pleased to announce a design improvement on the SAE B auxiliary mounting flange adapter on its series 90 pumps. The frame sizes affected by this change are 42, 130, 180 and 250cc. All manufacturing locations producing these pumps will be changed to this configuration.

The improvement comes in the form of a more robust sealing geometry with a larger cross-section O-ring. The O-ring groove in the flange will now be sized to mate with a 2.62mm [0.103"] cross-section O-ring rather than the old 1.78mm [0.070"] cross-section O-ring. The Sauer-Danfoss part number for the new O-ring is 9004104-1540 (2.62mm [0.070"] x 94.92mm [3.737"]). The larger cross-section sealing geometry allows for the use of a donut style B pad seal and a new flat cover for improved assembly. This new configuration is qualified as a running cover. When installing an auxiliary pump, the donut style B pad seal must be discarded and the part number 9004104-1540 O-ring used.

The pumps will now be supplied with the donut style seal and new flat cover, instead of the small O-ring and stepped cover plate (shown in the drawing below).

SB-2009-075

**Models affected**

All series 90 42, 130, 180 and 250cc pumps with an SAE B auxiliary mounting flange.

Serial numbers

Change became effective at serial number N-09-30-xxxxx. (20 July 2009)

Part numbers affected

Description	Old part number	New part number	Used on
B flange adapter	506778	520945	42cc
B flange adapter	503230	520947	130cc
B flange adapter	11000255	11039180	130cc
B flange adapter	505132	520950	180 and 250cc
O-ring	9004104-0450	9004104-1540	all sizes
B pad seal	N/A	8801061	all sizes
Flange cover	4460370	8801059	all sizes

Parts disposition

Interchangeable if new O-ring or if the pad seal and new cover are used.

SB-2009-076

Products affected

Series 90 130, 180 and 250cc variable pumps

Subject

SAE C auxiliary mounting flange, O-ring seal

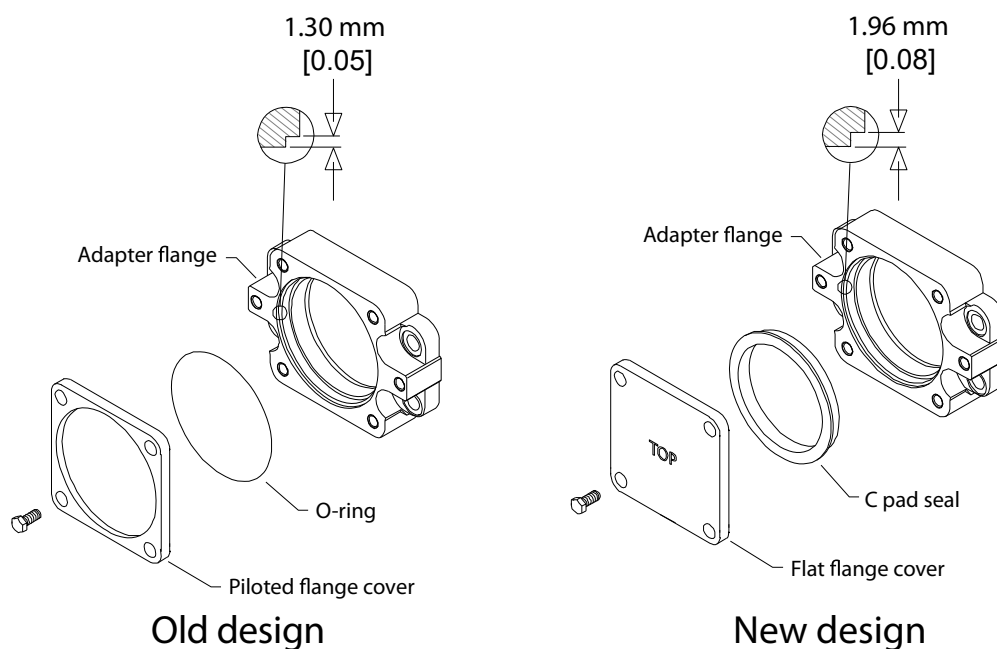
Part numbers affected

Sauer-Danfoss is pleased to announce a design improvement on the SAE C auxiliary mounting flange adapter on its series 90 pumps. The frame sizes affected by this change are 130, 180 and 250cc. All manufacturing locations producing these pumps will be changed to this configuration.

The improvement comes in the form of a more robust sealing geometry with a larger cross-section O-ring. The O-ring groove in the flange will now be sized to mate with a 2.62mm [0.103"] cross-section O-ring rather than the old 1.78mm [0.070"] cross-section O-ring. The Sauer-Danfoss part number for the new O-ring is 9004104-1580 (2.62mm [0.070"] x 120.32mm [4.737"]). The larger cross-section sealing geometry allows for the use of a donut style C pad seal and a new flat cover for improved assembly. This new configuration is qualified as a running cover. When installing an auxiliary pump, the donut style C pad seal must be discarded and the part number 9004104-1580 O-ring used.

The pumps will now be supplied with the donut style seal and new flat cover, instead of the small O-ring and stepped cover plate (shown in the drawing below).

SB-2009-076

**Models affected**

All series 90 130, 180 and 250cc pumps with an SAE C auxiliary mounting flange.

Serial numbers

Change became effective at serial number N-09-30-xxxxx. (20 July 2009)

Part numbers affected

Description	Old part number	New part number	Used on
C Flange adapter	505116	513617	130 cc
C Flange adapter	508407	11039184	130 cc
C Flange adapter	515116	513617	130 cc
C Flange adapter	505139	520951	180cc and 250cc
C Flange adapter	508406	11039178	180cc and 250cc
O-ring	9004100-0480	9004104-1580	All units
C pad seal	NA	8801062	All units
Flange cover	8800406	8801060	All units

Parts disposition

Interchangeable if new O-ring or if the pad seal and new cover are used.

SB: HY2026-004

Products affected

Series 90 Pumps and EDC Control Kits Utilizing ATEX PCP (11101116)

Subject

New PCP Material Number

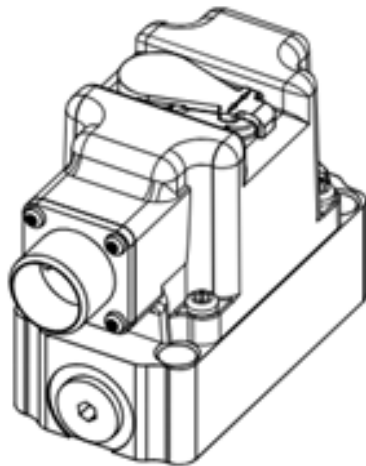
Description

In reference to Product Information Bulletin HY2025-859 (December 2025), Danfoss Power Solutions will no longer be offering Series 90 pumps with the ATEX certification for dust, and elevated temperature. With this change, the PCP material number 11101116 meeting this ATEX certification criteria will be obsolete.

Danfoss Power Solutions will offer a PCP (11375138) which only meets the ATEX certification for gas. Appearance of the label will change to reflect new material number and certification. Current material numbers for Series 90 Pumps and Service Control Kits (listed on the following page) utilizing the obsolete PCP (11101116) will NOT change, but utilize the new PCP (11375138). Also, the nomenclature for Series 90 pumps using the "K7" control will NOT change.

Along with this part change, the "Series 90 Intrinsically Safe Control Installation, Maintenance Instruction Bulletin" (AN152886481060) has also been updated. Please discard any older digital or paper copies.

HY2026-0046



New label

Models affected

Material #	Material Description	Material #	Material Description
83029627	PUMP-VAR-DISPL CW 90PV075	83053925	PUMP-VAR-DISPL CW 90PV100
83029756	PUMP-VAR-DISPL CW 90PV075	83058325	PUMP-VAR-DISPL CW 90PV075
83029888	PUMP-VAR-DISPL CW 90PV100	83058327	PUMP-VAR-DISPL CW 90PV100
83029889	PUMP-VAR-DISPL CW 90PV130	83059328	PUMP-VAR-DISPL CCW 90PV250
83033222	PUMP-VAR-DISPL CW 90PV130	83060330	PUMP-VAR-DISPL CW 90PV075
83033223	PUMP-VAR-DISPL CCW 90PV130	83061446	PUMP-VAR-DISPL CW 90PV075
83033303	PUMP-VAR DISPL, CW 90PV075	83061488	PUMP-VAR-DISPL CW 90PV100
83033307	PUMP-VAR DISPL, CW 90PV075	83061586	PUMP-VAR-DISPL CW 90PV075
83033309	PUMP-VAR DISPL, CW 90PV075	83061587	PUMP-VAR-DISPL CW 90PV075
83033313	PUMP-VAR DISPL, CCW 90PV100	83063297	PUMP-VAR-DISPL CW 90PV100
83033315	PUMP-VAR DISPL, CW 90PV100	83066652	PUMP-VAR-DISPL CW 90PV075
83033317	PUMP-VAR DISPL, CW 90PV100	83068557	PUMP-VAR DISPL, CCW 90PV055
83033318	PUMP-VAR DISPL, CW 90PV100	83072592	PUMP-VAR-DISPL CW 90PV075
83033378	PUMP-VAR-DISPL CW 90PV130	83072894	PUMP-VAR-DISPL CW 90PV075
83035448	PUMP-VAR-DISPL CW 90PV250	83076279	PUMP-VAR-DISPL CW 90PV100
83038064	PUMP-VAR-DISPL CW 90PV100	83076983	PUMP-VAR-DISPL CW 90PV250
83038896	PUMP-VAR-DISPL CW 90PV100	83077290	PUMP-VAR DISPL, CW 90PV075
83040069	PUMP-VAR-DISPL CW 90PV100	83078329	PUMP-VAR DISPL, CW 90PV075
83040210	PUMP-VAR-DISPL CW 90PV100	83081034	PUMP-VAR-DISPL CW 90PV100
83040932	PUMP-VAR-DISPL CW 90PV130	83082478	PUMP-VAR DISPL, CCW 90PV055
83041065	PUMP-VAR-DISPL CW 90PV130	83082709	PUMP-VAR-DISPL CW 90PV100
83043143	PUMP-VAR DISPL, CW 90PV055	83083301	PUMP-VAR-DISPL CW 90PV075
83044451	PUMP-VAR-DISPL CW 90PV250	83083353	PUMP-VAR-DISPL CW 90PV130
83044613	PUMP-VAR-DISPL CW 90PV075	83085369	PUMP-VAR DISPL, CW 90PV100
83045053	PUMP-VAR-DISPL CCW 90PV075	83085887	PUMP-VAR-DISPL CW 90PV075
83045066	PUMP-VAR DISPL, CCW 90PV075	83087015	PUMP-VAR-DISPL CW 90PV130
83046130	PUMP-VAR DISPL, CW 90PV055	83091824	PUMP-VAR-DISPL CW 90PV075
83048102	PUMP-VAR-DISPL CW 90PV250	83093542	PUMP-VAR-DISPL CW 90PV075
83048814	PUMP-VAR-DISPL CW 90PV250	83094033	PUMP-VAR-DISPL CW 90PV075
83048815	PUMP-VAR-DISPL CW 90PV130	83102057	PUMP-VAR-DISPL CW 90PV075
83053202	PUMP-VAR-DISPL CW 90PV180		

Serial numbers

Pumps and Service Kits sold after 23 March 2026.

Part numbers affected

Description	Old Part Number	New Part Number
PCP, 106 OHM, SF 5.5, MS, IS ATEX	11101116	-
PCP, 106 OHM, SF 5.5, MS, IS ATEX	-	11375138
PCP KIT, ATEX, MS, 106 OHM, SF5.5	11139981	11139981
EDC KIT, 55CC, MS, 4-20MA, ATEX, 106 OHM	11139992	11139992
EDC KIT, 75CC, MS, 4-20MA, ATEX, 106 OHM	11139993	11139993
EDC KIT, 100CC, MS, 4-20MA, ATEX 106 OHM	11139994	111399941
EDC KIT, 130CC, MS, 4-20MA, ATEX 106 OHM	11139996	11139996
EDC KIT, 180-250CC, MS, 4-20MA, ATEX, 106 OHM	11139997	11139997

Parts disposition

Non-Interchangeable in application environments requiring dust and elevated temperature requirements.

Interchangeable for gas environments.

Revise existing part orders.



Hydro-Gear

www.hydro-gear.com

Daikin-Sauer-Danfoss

www.daikin-sauer-danfoss.com

Explore our solutions at danfoss.com.

Additional product literature is available at powersource.danfoss.com.

**Danfoss
Power Solutions (US) Company**
2800 East 13th Street
Ames, IA 50010, USA
Phone: +1 515 239 6000

**Danfoss
Power Solutions GmbH & Co. OHG**
Krokamp 35
D-24539 Neumünster, Germany
Phone: +49 4321 871 0

**Danfoss
Power Solutions ApS**
Nordborgvej 81
DK-6430 Nordborg, Denmark
Phone: +45 7488 2222

**Danfoss
Power Solutions Trading
(Shanghai) Co., Ltd.**
Building #22, No. 1000 Jin Hai Rd
Jin Qiao, Pudong New District
Shanghai, China 201206
Phone: +86 21 2080 6201

Danfoss can accept no responsibility for possible errors in catalogues, brochures and other printed material. Danfoss reserves the right to alter its products without notice. This also applies to products already on order provided that such alterations can be made without subsequent changes being necessary in specifications already agreed. All trademarks in this material are property of the respective companies. Danfoss and the Danfoss logotype are trademarks of Danfoss A/S. All rights reserved.