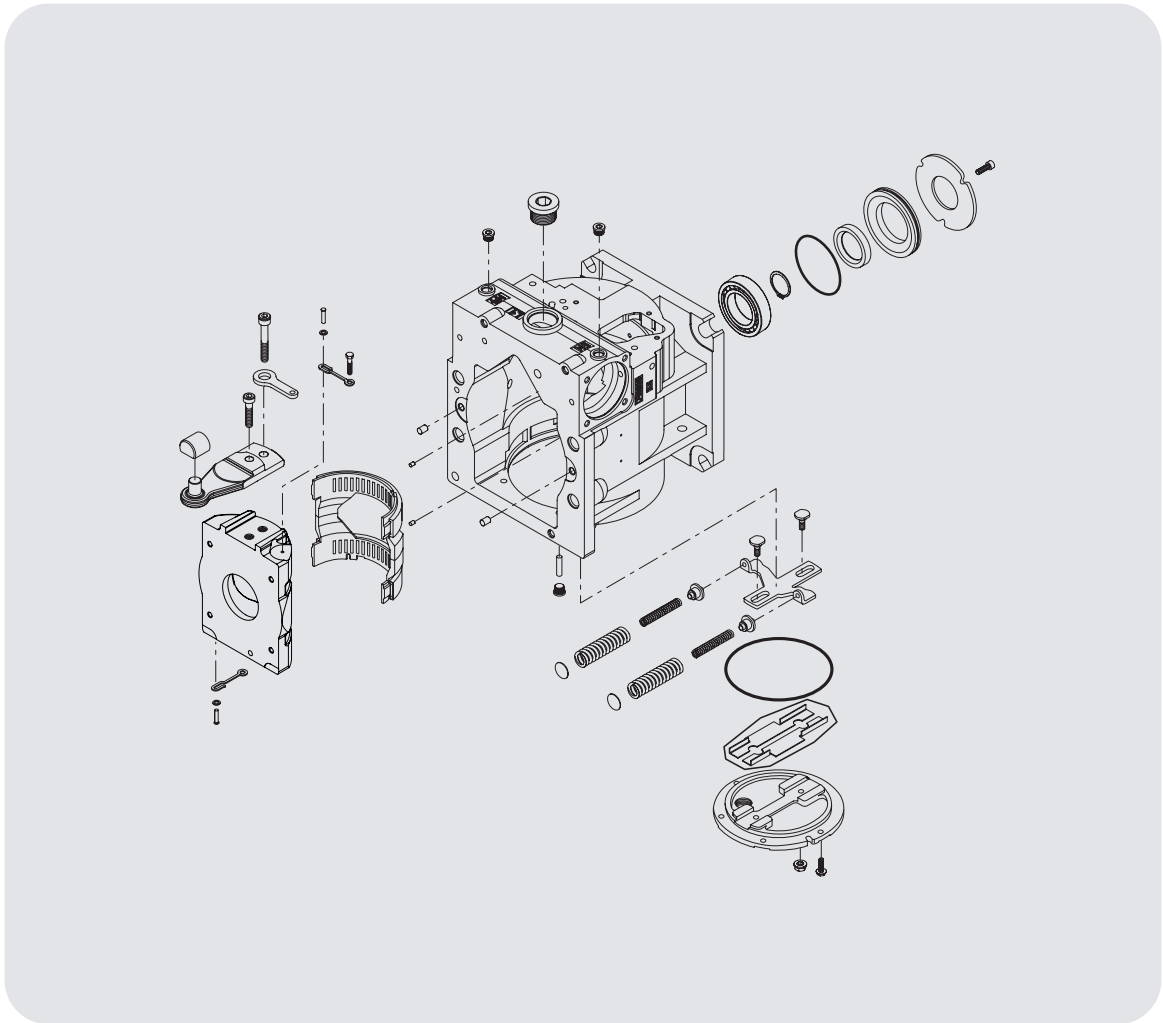




Series 90 250cc

Variable Displacement Pump



Revision history

Table of revisions

Date	Changed	Rev
November 2025	Updated to current format	0501

General Information

Service parts identification.....	5
Nameplate.....	5
Date code.....	6
Service bulletins.....	6
Procedure to identify a part.....	6
Notes.....	7
Order code.....	8

Common Parts

Common parts.....	9
-------------------	---

Special Hardware

Special hardware EDI-EFI.....	11
Special hardware EFN-GCG.....	13
Special hardware GCP-GLA.....	15
Special hardware NNA-NNN.....	17
Special hardware PEA-PGA.....	19

Displacement Limitation

Displacement limitation.....	21
------------------------------	----

End Cap

End cap 8-XX.....	23
-------------------	----

Charging System

Charging system J-N.....	25
--------------------------	----

Auxiliary Mounting

Auxiliary mounting A-N.....	27
Auxiliary mounting C1-CD.....	29
Auxiliary mounting D-NN.....	31

Charge Pressure Setting

Charge pressure relief.....	33
-----------------------------	----

Shaft

Shaft C8-F1.....	35
------------------	----

Controls

Control CA-DD.....	37
Control HF-K8.....	39
Control KA-KP.....	43
Control KT-MA.....	47
Control MB-NA.....	49
Control PB-SB.....	51

Filtration

Filtration D-T.....	53
---------------------	----

High Pressure Protection

High pressure regulation.....	55
-------------------------------	----

Orifice

Orifice 00-38.....	57
Orifice 49-C6.....	61
Orifice C7-P1.....	65

Overhaul Seal Kit

Overhaul seal kit.....	69
------------------------	----

Service Bulletin

SB-1996-004.....	70
SB-1999-065A.....	72
SB-2002-040.....	74
SB-2009-074.....	75
SB-2009-075.....	77
SB-2009-076.....	79
SB-2011-032.....	81

SB-2012-039.....	83
SB-2015-038.....	84
SB-HY2026-004.....	86

General Information

Service parts identification

The following information and procedure is used to identify the module group, item number, manufacture date, part number, and part name of the parts included in the product.

The parts listed include all parts which may be used when performing either "Minor Repairs", "Major Repairs" or "Conversions" on the product.

Nameplate

Each unit will have a nameplate affixed to the housing. The nameplate will include the following information.

Model number

The Danfoss model number is used by the factory in manufacturing. On repeat orders, a complete unit can be ordered by the model number.

Model code

The Danfoss model code completely defines the specific unit and must be used when ordering parts to service this product.

Serial number

The Danfoss serial number is used to identify the manufacture date and the unit sequence in the build. The serial number is also used to identify the units warranty time period.

The letter code indicates the location of original manufacture (assembly). "A" indicates the unit was originally assembled in Ames, Iowa, USA. "N" indicates the unit was originally assembled in Neumunster, Germany.

The first number (2 digits) indicates the year of manufacture. ("01" would indicate the unit was manufactured in 2001)

The second number (2 digits) indicates the calendar week of manufacture.

The third number (5 digits) is a sequential number used to identify a specific unit.



Date code

The date code is defined as the year and week of manufacture. The same item number may list more than one part number. This indicates that there is more than one configuration for that item number. You will see that there are different date codes for the different part numbers. Find the date code of your unit from the nameplate to determine which service part number you need to order.

EXAMPLE: The service part desired is Item E10

Order code: 80

Item	Date Begin	Date End	Part Number	Part Name	Qty. per Model/Kit
E10	92-19		746107	Side cover	1
G30	89-41		340133	Side cover (SB-1992-003)	1

All units using this order code with a date code of 89-41 and up to and including 92-18, must use part number "340133". All units with a date code of 92-19 and newer must use part number "746107."

Service bulletins

A Service Bulletin Number (SB- ____ - ____) may follow the "Part Name" of the part you desire. You must read that Service Bulletin prior to ordering that part. The information contained in these Service Bulletins, as of the print date of this bulletin, are included at the end of this manual. Service Bulletins contain more detailed information such as interchangeability, what additional parts are involved, etc. It is suggested that you add additional Service Bulletins to this manual as you receive them.

Procedure to identify a part

General

The modular design of Series 90 units results in a simplified service parts list and part number identification procedure.

The same item numbers are used for same part names on all units within a product type. (Example: The lip seal - Item L40 has the same item number on all pumps.)

A part number that has another number following it in parentheses is done to make this a world wide manual. The first number is sold in Germany. The number in parentheses is sold in the United States. (Example: 001149 (9004201-6200), customers would order 9004201-6200 if ordering the part in the United States.)

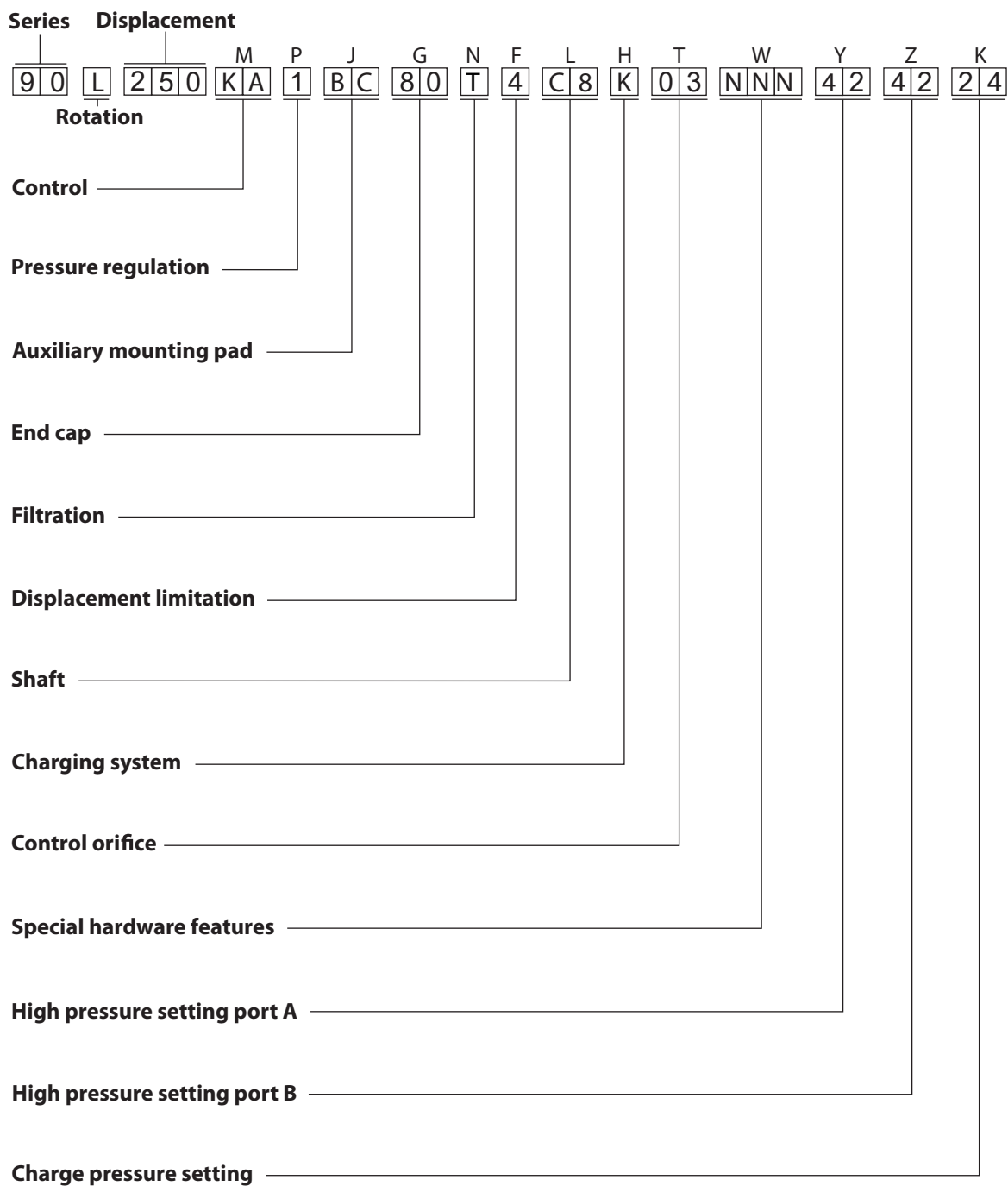
Example of a Part Identification

The nameplate on a Series 90 pump has an Order Code of 90L250 KA 1 BC 80 T 4 C8 K 03 NNN 42 42 24. Use the following procedures to determine the part number of the drive shaft used on this pump.

1. Referring to the input shaft module in the Order Code (see page 7), the input shaft option for this pump is identified by the code "C8. (90L250 KA 1 BC 80 T 4 C8 K 03 NNN 42 42 24)
2. Referring to the Service Parts List, find the shaft group. Next find the order code that relates to this unit, which is "C8". The shaft is found to be item L100 and part number 504338.

Notes

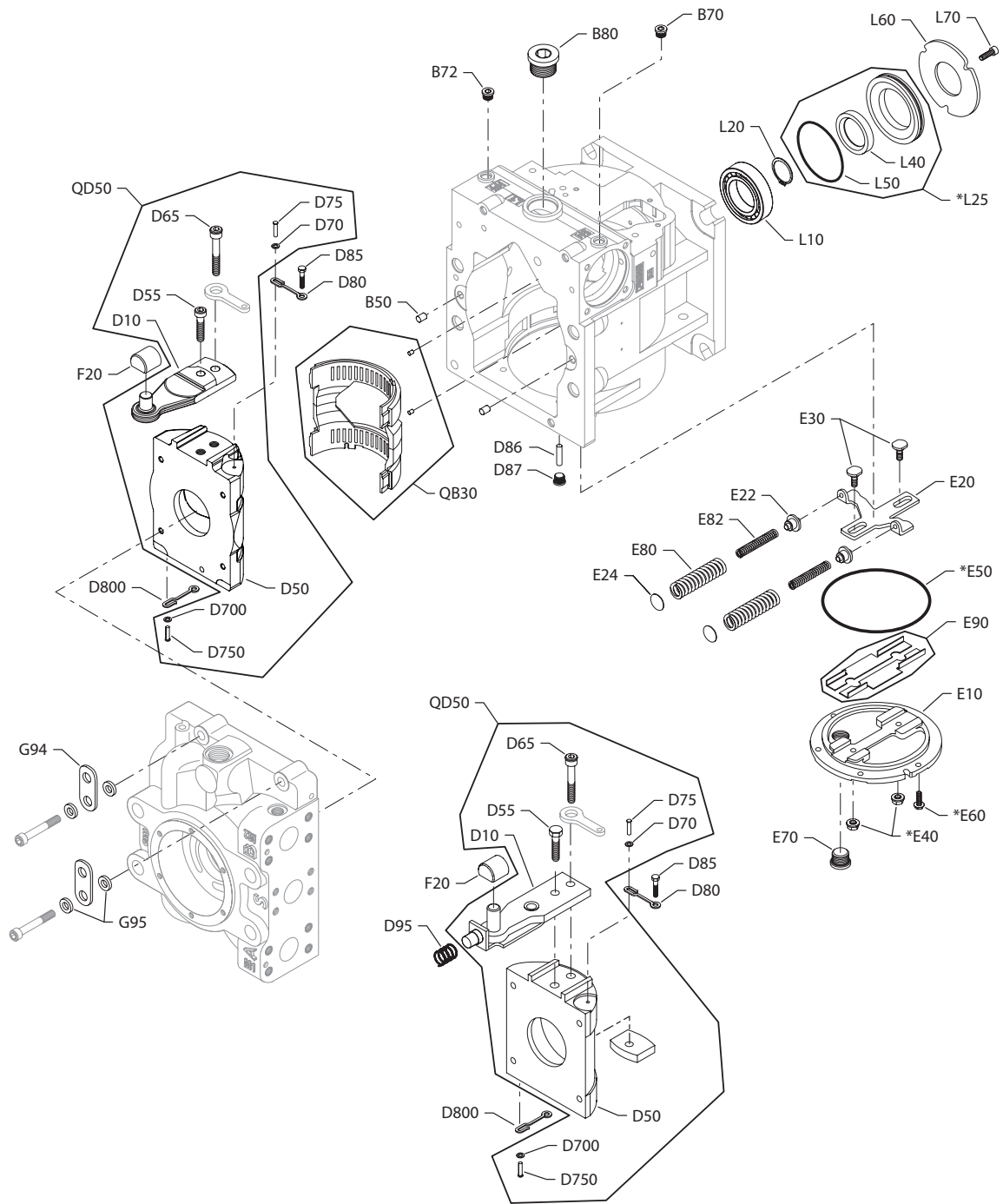
Order code



Common Parts

Common parts

Parts configuration



Swashplate design
prior to 11-40

E100 090E

* = included in overhaul seal kit Q210

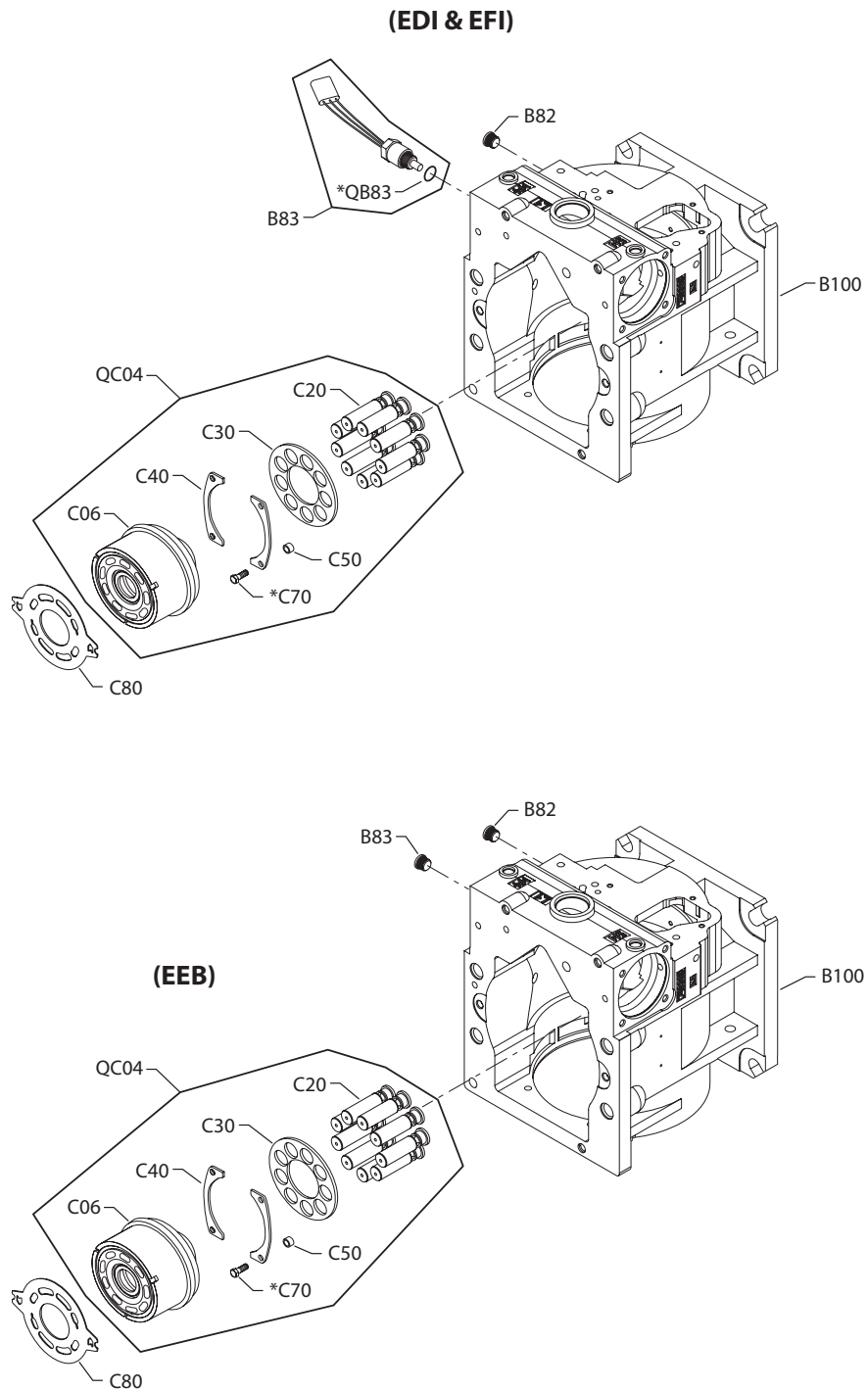
Common Parts

Item	Date Begin	Date End	Part Number	Part Name	Qty. per Model/Kit
B50	95-28		9004800-3708	Pin	2
B70	95-28		140644	Plug assembly	1
B72	95-28		140644	Plug assembly	1
B80	95-28		676734 (9005110-9500)	Plug assembly	1
D10	11-40		11061195	Servo arm assembly	1
D10	95-28	11-39	746339	Servo arm assembly (SB-2011-032 on page 81)	1
D50	11-40		11088847	Swashplate	1
D50	95-28	11-39	521428	Swashplate	1
D55	11-40		519150	Screw, socket head	1
D55	95-28	11-39	746362	Screw, hex head (SB-2011-032 on page 81)	1
D65	95-28		504494	Screw	1
D70	95-28		127464	Washer	1
D75	95-28		333369	Spiral head pin	1
D80	95-28		700948-5	Cage locator link	1
D85	95-28		500449	Screw	1
D86	95-28		770594	Pin	1
D87	95-28		11040532	Plug assembly	1
D95	95-28	11-39	746396	Spring (SB-2011-032 on page 81)	1
D700	95-28		127464	Washer	1
D750	95-28		333369	Spiral head pin	1
D800	95-28		700948-5	Cage locator link	1
E10	96-08		501579	Side cover (SB-1996-004 on page 70)	1
E20	95-28		746420	Leveler	1
E22	95-28		746438	Spring seat	2
E24	95-28		359067	Shim	2
E30	97-08		11056592	Guide post (SB-1996-004 on page 70)	2
E40	95-28		042432	Seal nut	2
E50	95-28		517380	O-ring	1
E60	95-28		517231	Screw	6
E70	95-28		676734 (9005110-9500)	Plug assembly	1
E80	95-28		746453	Spring	2
E82	95-28		755553	Spring	2
E90	96-08		513891	Insert assembly (SB-1996-004 on page 70)	1
F20	95-28		11116308	Slider block	1
G94	95-28		8800565	Lifting bracket	2
G95	95-28		505479	Washer	4
L10	95-28		11018485	Roller bearing	1
L20	95-28		392233	Retaining ring	1
L25	95-28		11053971	Seal carrier assembly (SB-2012-039 on page 83)	1
L40	12-17		519021	Lip seal (SB-2012-039 on page 83)	1
L40	95-28	12-16	9008000-0114	Lip seal	1
L50	95-28		509353	O-ring	1
L60	95-28		516769	Retainer plate	1
L70	95-28		009159	Screw	3
QB30	95-28		746313	Cradle bearing assembly	1
QD50	11-40		11097784	Swashplate kit (SB-2011-032 on page 81)	1

Special Hardware

Special hardware EDI-EFI

Parts configuration



Generic speed sensor used to show part location only.

* = included in overhaul seal kit Q210

Order Code: EDI

Item	Date Begin	Date End	Part Number	Part Name	Qty. per Model/Kit
B82	00-29		140644	Plug assembly	1
B83	00-29		KPPG15408	Speed sensor	1
B100	11-40		11088644	Housing assembly	1
B100	00-29	11-39	515967	Housing assembly (<i>SB-2011-032</i> on page 81)	1
C06	00-29		519889/P	Cylinder block assembly with speed ring	1
C20	00-29		504501	Piston/slipper assembly	9
C30	00-29		11067354	Slipper guide	1
C40	00-29		504377	Slipper guide bearing	2
C50	00-29		504378	Spacer	4
C70	00-29		308643-S	Screw	4
C80	00-29		504278	Valve plate, CCW, 90L250	1
C80	00-29		504287	Valve plate, CW, 90R250	1
QB83	00-29		085043 (9004201-3700)	O-ring	1
QC04	00-29		11097868	Cylinder block kit with speed ring	1

Order Code: EEB

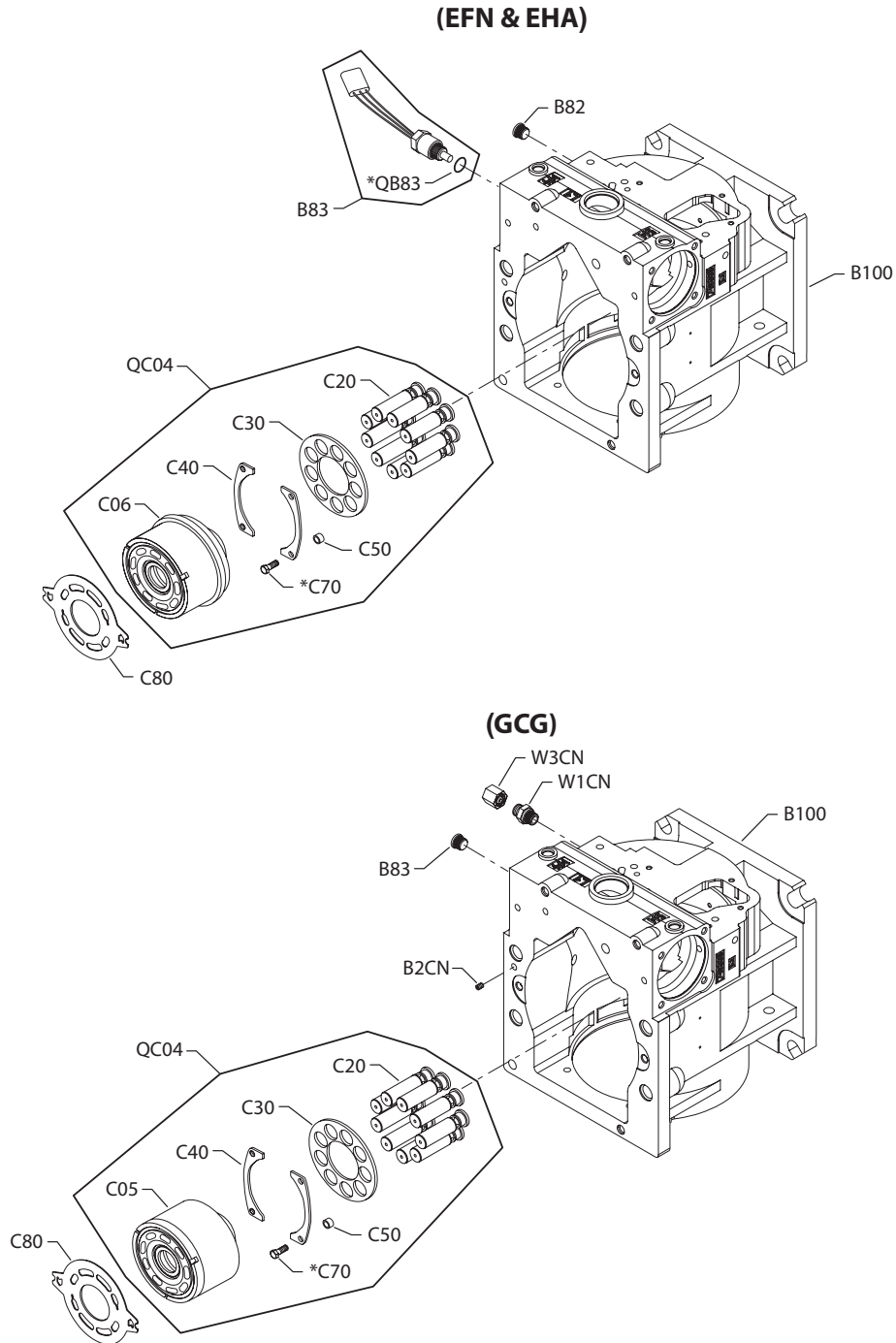
B82	10-34		140644	Plug assembly	1
B83	10-34		140644	Plug assembly	1
B100	11-40		11088644	Housing assembly	1
B100	10-34	11-39	515967	Housing assembly (<i>SB-2011-032</i> on page 81)	1
C06	10-34		519889/P	Cylinder block assembly	1
C20	10-34		504501	Piston/slipper assembly	9
C30	10-34		11067354	Slipper guide	1
C40	10-34		504377	Slipper guide bearing	2
C50	10-34		504378	Spacer	4
C70	10-34		308643-S	Screw	4
C80	10-34		507346	Valve plate	1
QC04	10-34		11097868	Cylinder block kit	1

Order Code: EFI

B82	00-07		140644	Plug assembly	1
B83	99-20		KPPG156	Speed sensor	1
B100	11-40		11088644	Housing assembly	1
B100	00-07	11-39	515967	Housing assembly (<i>SB-2011-032</i> on page 81)	1
C06	99-20		519889 /P	Cylinder block assembly	1
C20	99-20		504501	Piston/slipper assembly	9
C30	99-20		11067354	Slipper guide	1
C40	99-20		504377	Slipper guide bearing	2
C50	99-20		504378	Spacer	4
C70	99-20		308643-S	Screw	4
C80	99-20		504278	Valve plate, CCW, 90L250	1
C80	99-20		504287	Valve plate, CW, 90R250	1
QB83	99-20		085043 (9004201-3700)	O-ring	1
QC04	99-20		11097868	Cylinder block kit	1

Special hardware EFN-GCG

Parts configuration



Generic speed sensor used to show part location only.

* = included in overhaul seal kit Q210

Order Code: EFN

Item	Date Begin	Date End	Part Number	Part Name	Qty. per Model/Kit
B82	01-34		140644	Plug assembly	1
B83	01-34		KPPG136	Speed sensor	1
B100	11-40		11088644	Housing assembly	1
B100	01-34	11-39	515967	Housing assembly (<i>SB-2011-032</i> on page 81)	1
C06	01-34		519889/P	Cylinder block assembly with speed ring	1
C20	01-34		504501	Piston/slipper assembly	9
C30	01-34		11067354	Slipper guide	1
C40	01-34		504377	Slipper guide bearing	2
C50	01-34		504378	Spacer	4
C70	01-34		308643-S	Screw	4
C80	01-34		504278	Valve plate, CCW, 90L250	1
C80	01-34		504287	Valve plate, CW, 90R250	1
QB83	01-34		085043 (9004201-3700)	O-ring	1
QC04	01-34		11097868	Cylinder block kit with speed ring	1

Order Code: EHA

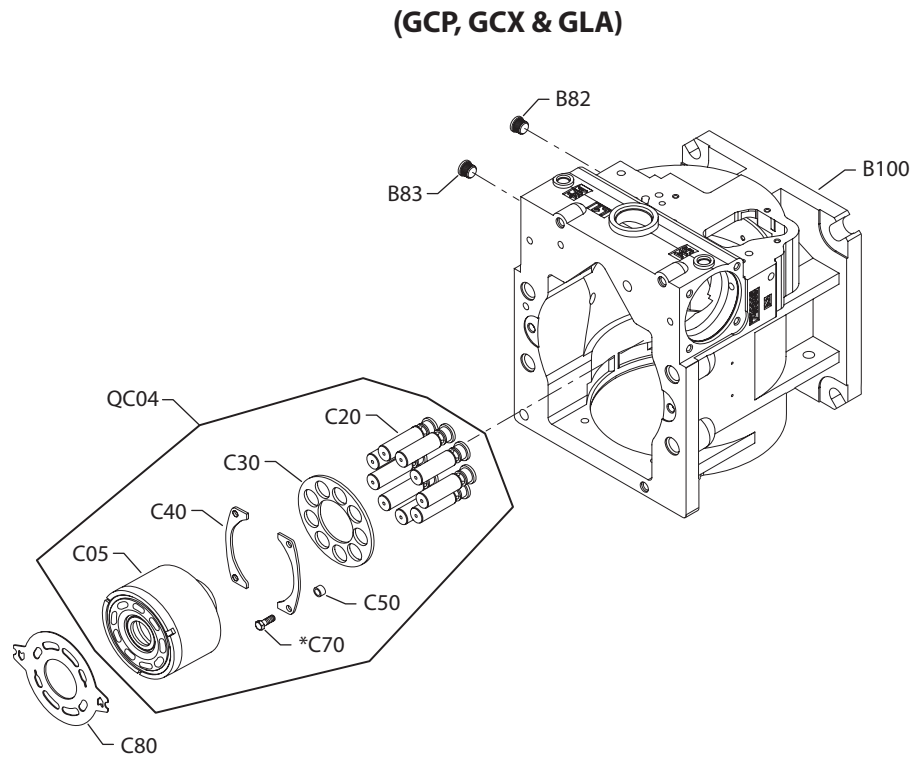
B82	06-27		140644	Plug assembly	1
B83	06-27		KPPG16408	Speed sensor	1
B100	11-40		11088644	Housing assembly	1
B100	06-27	11-39	515967	Housing assembly (<i>SB-2011-032</i> on page 81)	1
C06	06-27		519889/P	Cylinder block assembly with speed ring	1
C20	06-27		504501	Piston/slipper assembly	9
C30	06-27		11067354	Slipper guide	1
C40	06-27		504377	Slipper guide bearing	2
C50	06-27		504378	Spacer	4
C70	06-27		308643-S	Screw	4
C80	06-27		507346	Valve plate	1
QB83	06-27		085043 (9004201-3700)	O-ring	1
QC04	06-27		11097868	Cylinder block kit with speed ring	1

Order Code: GCG

B2CN	05-06		042465	Set screw	1
B83	05-06		140644	Plug assembly	1
B100	11-40		11088644	Housing assembly	1
B100	05-06	11-39	515967	Housing assembly (<i>SB-2011-032</i> on page 81)	1
C05	05-06		11147681	Cylinder block assembly	1
C20	05-06		504501	Piston/slipper assembly	9
C30	05-06		11067354	Slipper guide	1
C40	05-06		504377	Slipper guide bearing	2
C50	05-06		504378	Spacer	4
C70	05-06		308643-S	Screw	4
C80	05-06		507346	Valve plate	1
QC04	05-06		519279	Cylinder block kit	1
W1CN	05-06		723726	Connector	1
W3CN	05-06		574095	Cap	1

Special hardware GCP-GLA

Parts configuration



* = included in overhaul seal kit Q210

Order code: GCP

Item	Date Begin	Date End	Part Number	Part Name	Qty. per Model/Kit
B82	00-07		140644	Plug assembly	1
B83	95-28		140644	Plug assembly	1
B100	11-40		11088644	Housing assembly	1
B100	00-07	11-39	515967	Housing assembly (SB-2011-032 on page 81)	1
C05	95-28		11147681	Cylinder block assembly	1
C20	95-28		504501	Piston/slipper assembly	9
C30	95-28		11067354	Slipper guide	1
C40	95-28		504377	Slipper guide bearing	2
C50	95-28		504378	Spacer	4
C70	95-28		308643-5	Screw	4
C80	95-28		507346	Valve plate	1
QC04	95-28		519279	Cylinder block kit	1

Order code: GCX

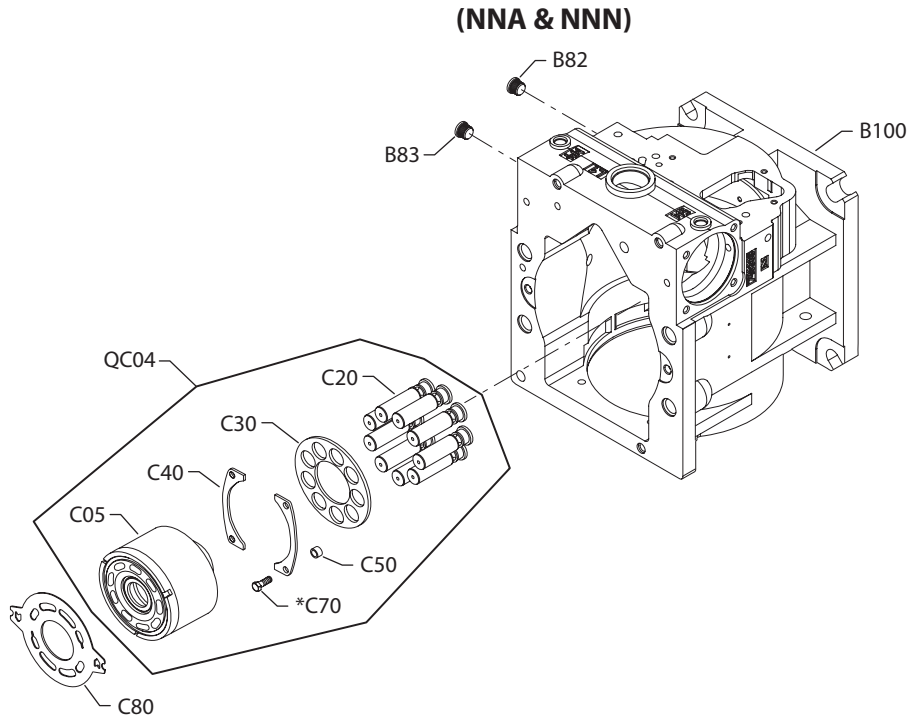
B82	00-38		140644	Plug assembly	1
B83	00-38		140644	Plug assembly	1
B100	11-40		11088644	Housing assembly	1
B100	00-38	11-39	515967	Housing assembly (SB-2011-032 on page 81)	1
C05	00-38		11147681	Cylinder block assembly	1
C20	00-38		504501	Piston/slipper assembly	9
C30	00-38		11067354	Slipper guide	1
C40	00-38		504377	Slipper guide bearing	2
C50	00-38		504378	Spacer	4
C70	00-38		308643-5	Screw	4
C80	00-38		507346	Valve plate	1
QC04	00-38		519279	Cylinder block kit	1

Order code: GLA

B82	00-07		140644	Plug assembly	1
B83	98-25		140644	Plug assembly	1
B100	11-40		11088644	Housing assembly	1
B100	00-07	11-39	515967	Housing assembly (SB-2011-032 on page 81)	1
C05	98-25		11147681	Cylinder block assembly	1
C20	98-25		504501	Piston/slipper assembly	9
C30	98-25		11067354	Slipper guide	1
C40	98-25		504377	Slipper guide bearing	2
C50	98-25		504378	Spacer	4
C70	98-25		308643-5	Screw	4
C80	00-29		504278	Valve plate, CCW, 90L250	1
C80	00-29		504287	Valve plate, CW, 90R250	1
QC04	98-25		519279	Cylinder block kit	1

Special hardware NNA-NNN

Parts configuration



* = included in overhaul seal kit Q210

Order code: NNA

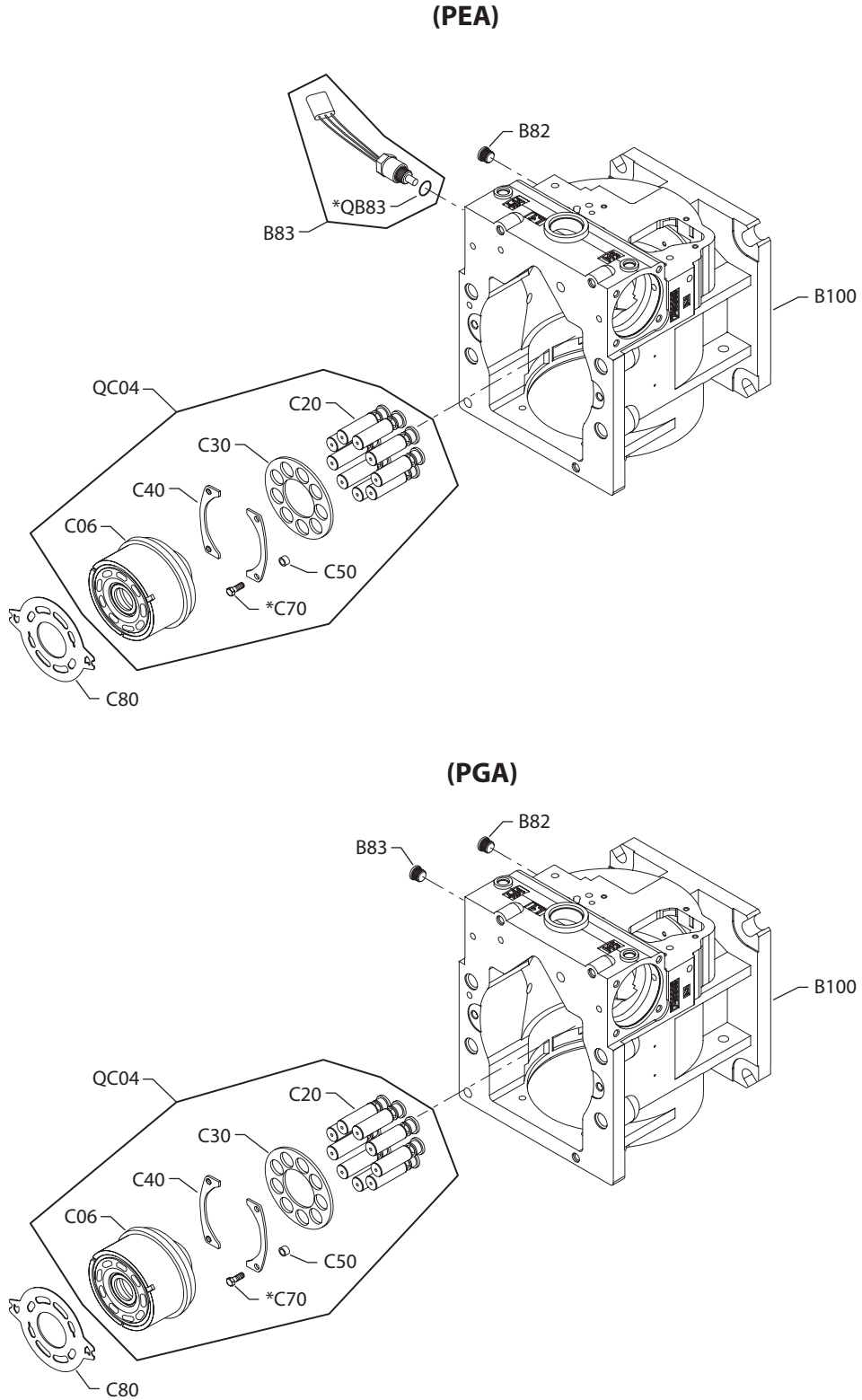
Item	Date Begin	Date End	Part Number	Part Name	Qty. per Model/Kit
B82	12-36		140644	Plug assembly	1
B83	12-39		140644	Plug assembly	1
B100	12-36		11088644	Housing assembly	1
C05	12-39		11147681	Cylinder block assembly	1
C20	12-39		504501	Piston/slipper assembly	9
C30	12-39		11067354	Slipper guide	1
C40	12-39		504377	Slipper guide bearing	2
C50	12-39		504378	Spacer	4
C70	12-39		308643-S	Screw	4
C80	12-39		507346	Valve plate	1
QC04	12-39		519279	Cylinder block kit	1

Order code: NNN

B82	00-07		140644	Plug assembly	1
B83	95-28		140644	Plug assembly	1
B100	11-40		11088644	Housing assembly	1
B100	00-07	11-39	515967	Housing assembly (<i>SB-2011-032</i> on page 81)	1
C05	95-28		11147681	Cylinder block assembly	1
C20	95-28		504501	Piston/slipper assembly	9
C30	95-28		11067354	Slipper guide	1
C40	95-28		504377	Slipper guide bearing	2
C50	95-28		504378	Spacer	4
C70	95-28		308643-S	Screw	4
C80	95-28		507346	Valve plate	1
QC04	95-28		519279	Cylinder block kit	1

Special hardware PEA-PGA

Parts configuration



Generic speed sensor used to show part location only.

* = included in overhaul seal kit Q210

Order Code: PEA

Item	Date Begin	Date End	Part Number	Part Name	Qty. per Model/Kit
B82	08-37		140644	Plug assembly	1
B83	08-37		KPPG156	Speed sensor	1
B100	11-40		11088644	Housing assembly	1
B100	08-37	11-39	515967	Housing assembly (<i>SB-2011-032</i> on page 81)	1
C06	08-37		519889/P	Cylinder block assembly with speed ring	1
C20	08-37		504501	Piston/slipper assembly	9
C30	08-37		11067354	Slipper guide	1
C40	08-37		504377	Slipper guide bearing	2
C50	08-37		504378	Spacer	4
C70	08-37		308643-S	Screw	4
C80	08-37		507346	Valve plate	1
QB83	08-37		085043 (9004201-3700)	O-ring	1
QC04	08-37		11097868	Cylinder block kit with speed ring	1

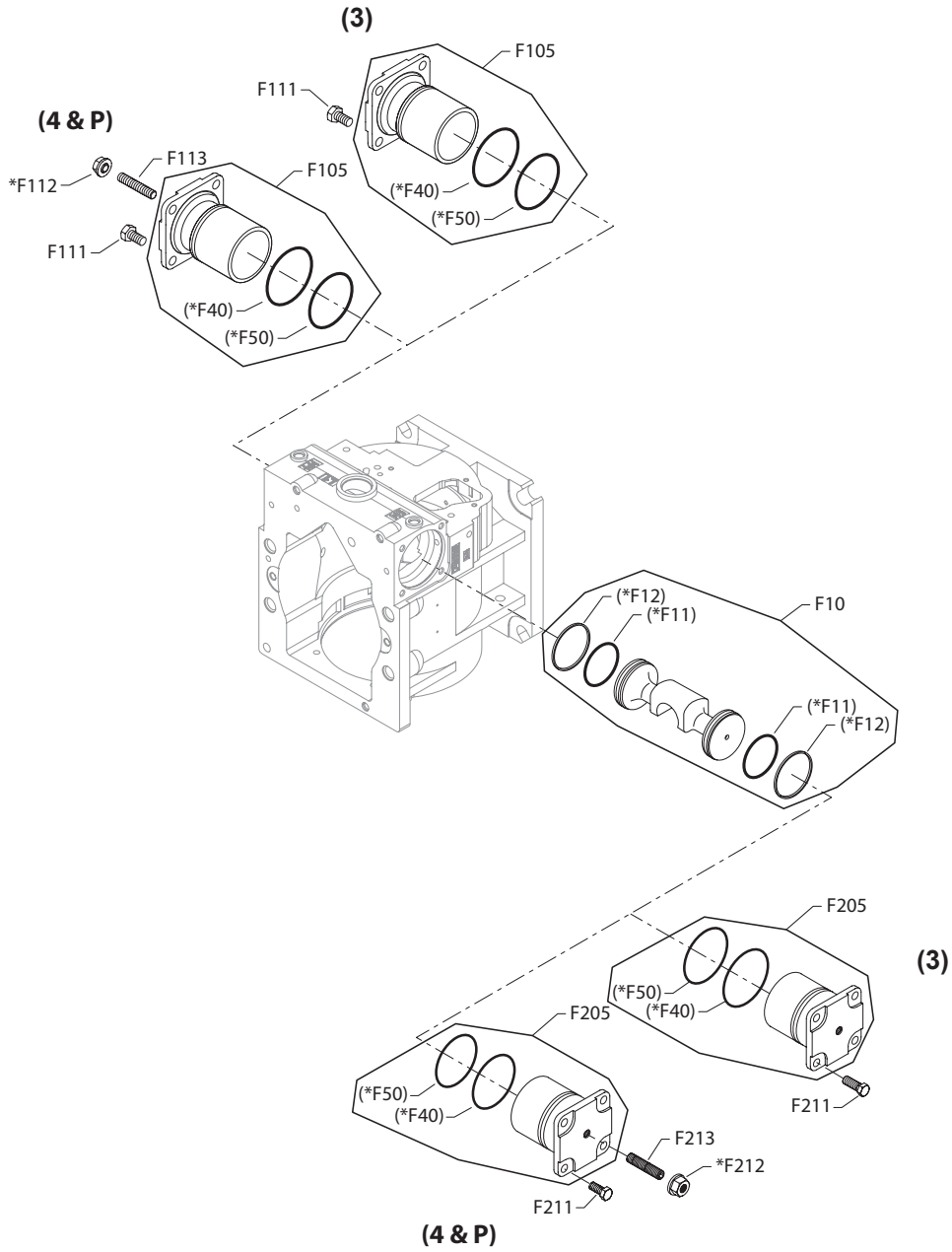
Order Code: PGA

B82	08-37		140644	Plug assembly	1
B83	08-37		140644	Plug assembly	1
B100	11-40		11088644	Housing assembly	1
B100	08-37	11-39	515967	Housing assembly (<i>SB-2011-032</i> on page 81)	1
C05	08-37		11147681	Cylinder block assembly	1
C20	08-37		504501	Piston/slipper assembly	9
C30	08-37		11067354	Slipper guide	1
C40	08-37		504377	Slipper guide bearing	2
C50	08-37		504378	Spacer	4
C70	08-37		308643-S	Screw	4
C80	08-37		507346	Valve plate	1
QC04	08-37		519279	Cylinder block kit	1

Displacement Limitation

Displacement limitation

Parts configuration



* = included in overhaul seal kit Q210

() = not available individually

Order code: 3

Item	Date Begin	Date End	Part Number	Part Name	Qty. per Model/Kit
F10	95-28		11046679	Servo piston assembly	1
F105	95-28		11060705	Servo cylinder assembly	1
F111	95-28		308643-S	Screw	4
F205	95-28		11060705	Servo cylinder assembly	1
F211	95-28		308643-S	Screw	4

Order code: 4

F10	95-28		11046679	Servo piston assembly	1
F105	95-28		11060706	Servo cylinder assembly	1
F111	95-28		308643-S	Screw	4
F112	95-28		649822	Seal nut	1
F113	95-28		11000798	Set screw	1
F205	95-28		11060706	Servo cylinder assembly	1
F211	95-28		308643-S	Screw	4
F212	95-28		649822	Seal nut	1
F213	95-28		11000798	Set screw	1

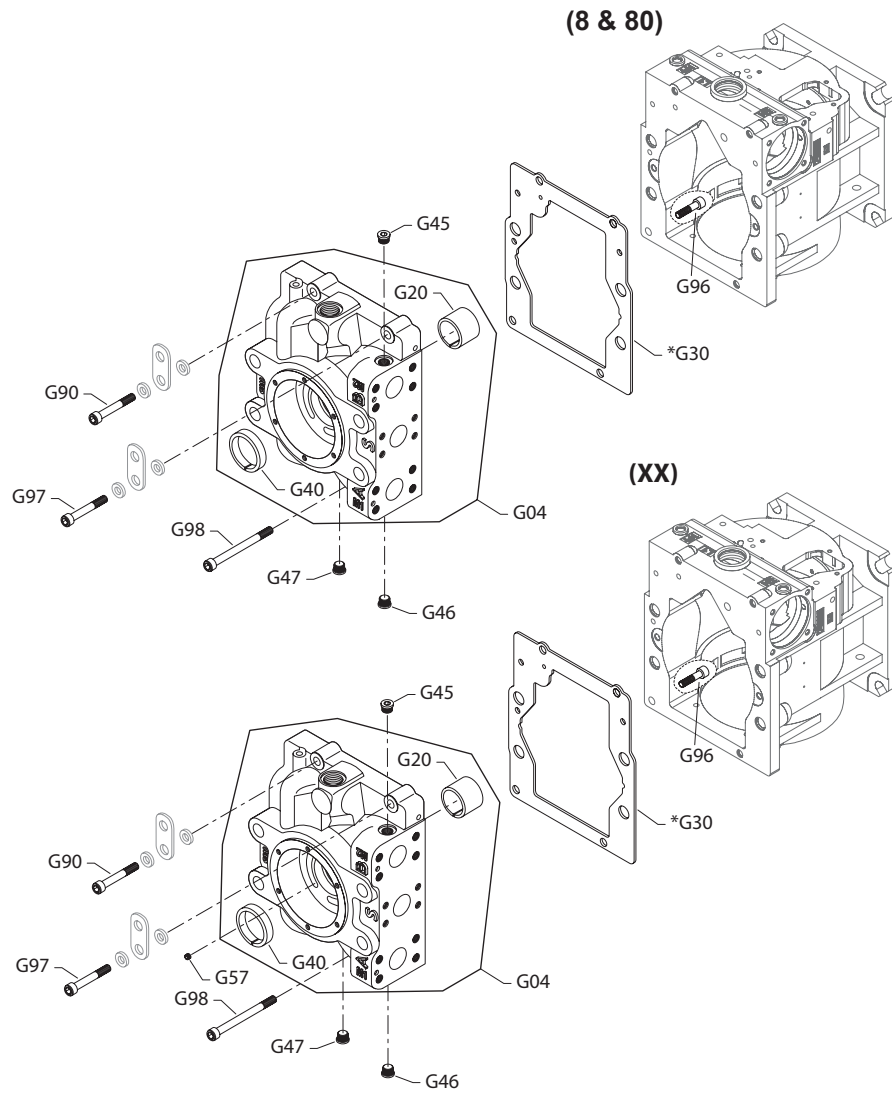
Order code: P

F10	95-28		11046679	Servo piston assembly	1
F105	95-28		11060706	Servo cylinder assembly	1
F111	95-28		308643-S	Screw	4
F112	95-28		649822	Seal nut	1
F113	95-28		516127	Set screw	1
F205	95-28		11060706	Servo cylinder assembly	1
F211	95-28		308643-S	Screw	4
F212	95-28		649822	Seal nut	1
F213	95-28		516127	Set screw	1

End Cap

End cap 8-XX

Parts configuration



* = included in overhaul seal kit Q210

Order Code: 8 & 80

Item	Date Begin	Date End	Part Number	Part Name	Qty. per Model/Kit
G04	5-28		519034	End cap assembly, twin ports	1
G20	95-28		504503	Journal bearing	1
G30	95-28		511809	End cap gasket	1
G40	95-28		303651	Bushing	1
G45	95-28		140644	Plug assembly	1
G46	95-28		140644	Plug assembly	1
G47	95-28		140644	Plug assembly	1
G90	95-28		356220	Screw	1
G96	95-28		290502	Screw	1
G97	95-28		356220	Screw	1
G98	95-28		505261	Screw	1

Order Code: XX

G04	09-27		11068492	End cap assembly, twin ports	1
G20	09-27		11068455	Journal bearing	1
G30	09-27		511809	End cap gasket	1
G40	09-27		303651	Bushing	1
G45	09-27		140644	Plug assembly	1
G46	09-27		140644	Plug assembly	1
G47	09-27		140644	Plug assembly	1
G57	09-27		11068189	Orifice plug	1
G90	09-27		356220	Screw	1
G96	09-27		290502	Screw	1
G97	09-27		356220	Screw	1
G98	09-27		505261	Screw	1

Order Code: J

Item	Date Begin	Date End	Part Number	Part Name	Qty. per Model/Kit
H05	95-28		504557	Charge pump set, 47 cc	1
H40	95-28		11152778	Pin, 26mm (<i>SB-2015-038</i> on page 84)	1
H41	95-28		11152778	Pin, 26mm (<i>SB-2015-038</i> on page 84)	1
H50	95-28		11138381	Charge pump shaft (<i>SB-2002-040</i> on page 74)	1
H60	95-28		734608	Key	1
H70	95-28		509361	Retaining plate	1
H80	95-28		378083	Screw	6

Order Code: K

H05	95-28		505410	Charge pump set, 65 cc	1
H40	95-28		11152778	Pin, 26mm (<i>SB-2015-038</i> on page 84)	1
H41	95-28		11152778	Pin, 26mm (<i>SB-2015-038</i> on page 84)	1
H50	95-28		11138381	Charge pump shaft (<i>SB-2002-040</i> on page 74)	1
H60	95-28		734608	Key	1
H70	95-28		509361	Retaining plate	1
H80	95-28		378083	Screw	6

Order Code: L

H25	04-49		11077719	Spacer	1
H26	04-49		711218	Distance plate	2
H31	04-49		11078207	Port plate	1
H40	04-49		11152778	Pin, 26mm (<i>SB-2015-038</i> on page 84)	1
H41	04-49		11152778	Pin, 26mm (<i>SB-2015-038</i> on page 84)	1
H50	04-49		11138381	Charge pump shaft	1
H70	04-49		509361	Retaining plate	1
H80	04-49		378083	Screw	6

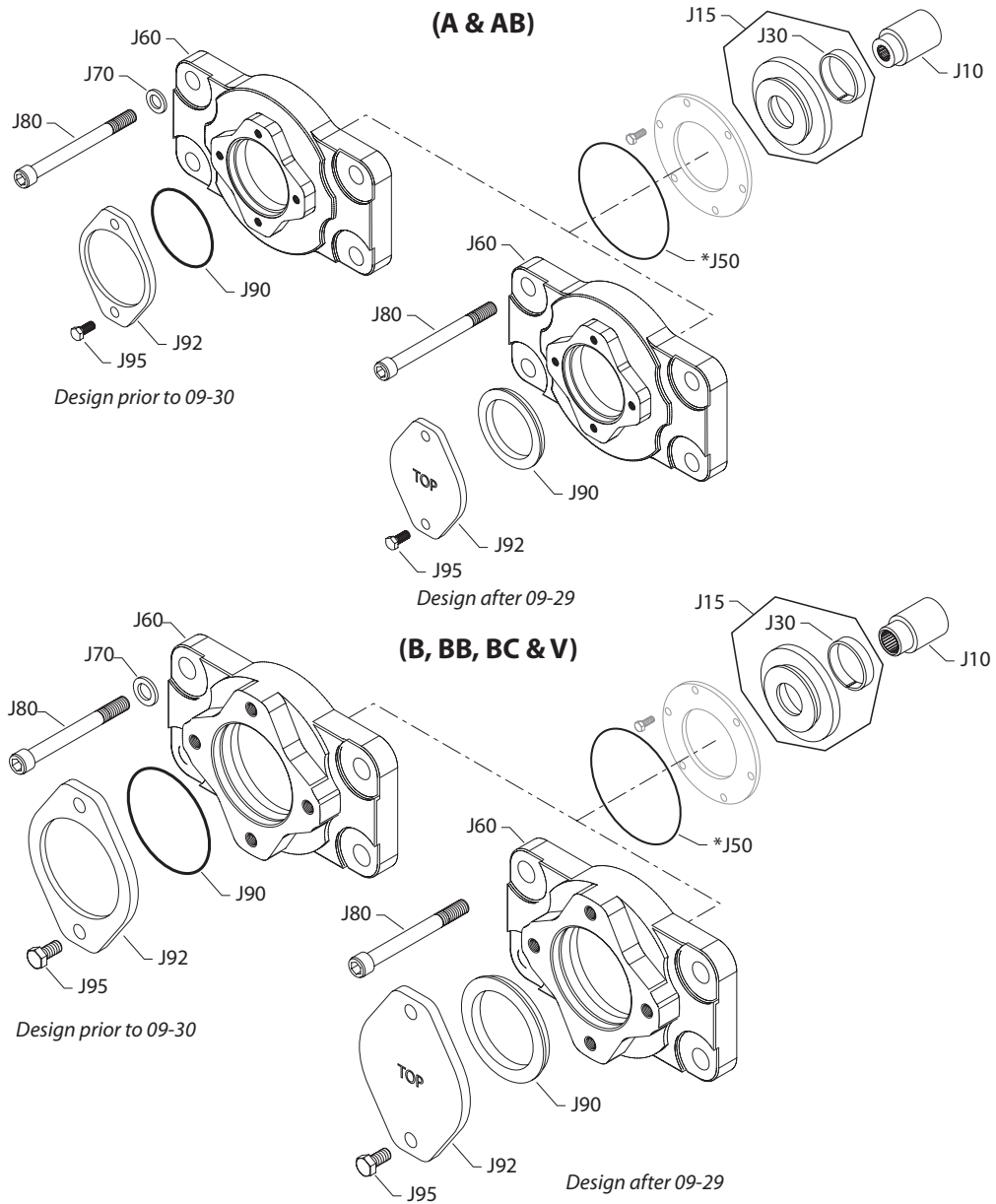
Order Code: N

H25	04-49		11077719	Spacer	1
H26	04-49		711218	Distance plate	2
H31	04-49		11078207	Port plate	1
H40	04-49		11152778	Pin, 26mm (<i>SB-2015-038</i> on page 84)	1
H41	04-49		11152778	Pin, 26mm (<i>SB-2015-038</i> on page 84)	1
H70	04-49		509361	Retaining plate	1
H80	04-49		378083	Screw	6

Auxiliary Mounting

Auxiliary mounting A-N

Parts configuration



* = included in overhaul seal kit Q210

Order Code: AB & A

Item	Date Begin	Date End	Part Number	Part Name	Qty. per Model/Kit
J10	95-28		11053336	Coupling, 9 tooth	1
J15	95-28		501402	Cover assembly, CW	1
J15	95-28		501401-S	Cover assembly, CCW	1
J30	95-28		303651	Bushing	1
J50	95-28		505068	O-ring	1
J60	09-30		520949	Flange adapter, SAE A	1
J60	95-28	09-29	505136	Flange adapter, SAE A (SB-2009-074 on page 75)	1
J70	95-28	09-29	279729	Washer (SB-2009-074 on page 75)	4
J80	89-46		505260	Screw	4
J90	09-30		4800482	A pad seal	1
J90	95-28	09-29	726950 (9004104-0420)	O-ring (SB-2009-074 on page 75)	1
J92	09-30		4460586	Cover plate	1
J92	95-28	09-29	545475 (9802336)	Cover plate (SB-2009-074 on page 75)	1
J95	95-28		9007200-3714	Screw	2

Order code: BB & V

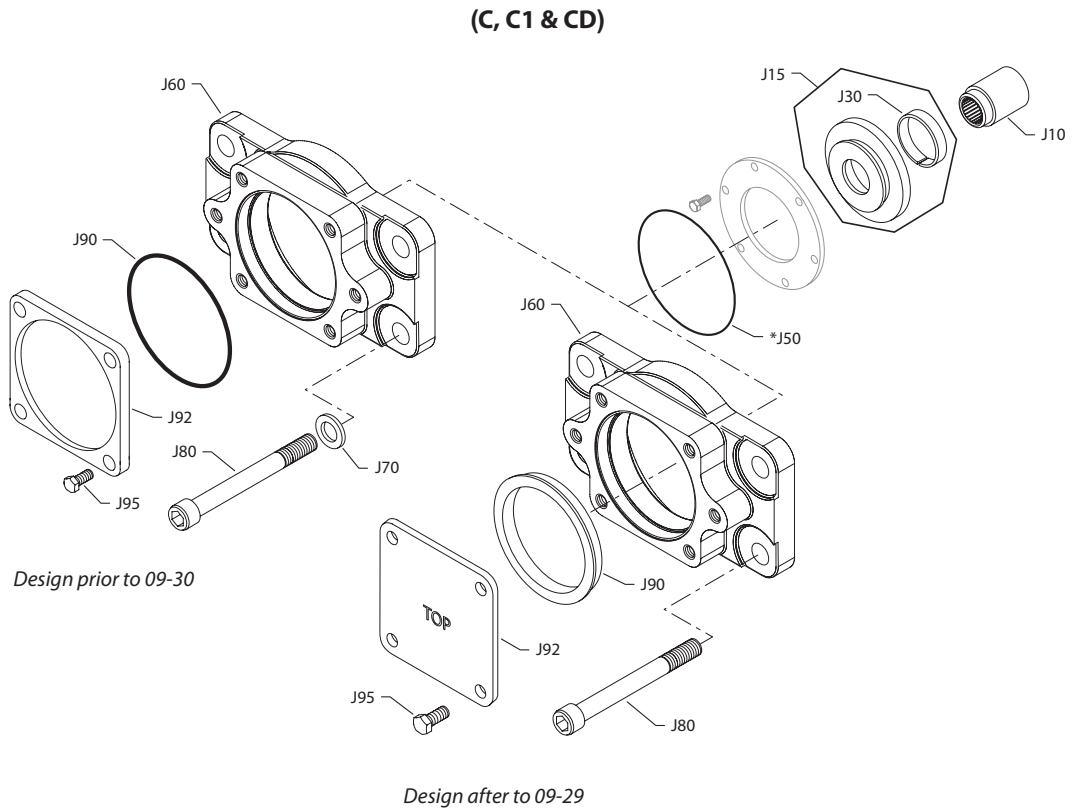
J10	95-28		11053334	Coupling, 13 tooth	1
J15	95-28		501402	Cover assembly, CW	1
J15	95-28		501401-S	Cover assembly, CCW	1
J30	95-28		303651	Bushing	1
J50	95-28		505068	O-ring	1
J60	09-30		520950	Flange adapter, SAE B	1
J60	95-28	09-29	505132	Flange adapter, SAE B (SB-2009-075 on page 77)	1
J70	95-28	09-29	279729	Washer (SB-2009-075)	4
J80	89-46		505260	Screw	4
J90	09-30		8801061	B pad seal	1
J90	95-28	09-29	726935 (9004104-0450)	O-ring (SB-2009-075 on page 77)	1
J92	09-30		8801059	Cover plate	1
J92	95-28	09-29	4460370	Cover plate (SB-2009-075)	1
J95	95-28		9007200-5021	Screw	2

Order code: BC & B

J10	95-28		11053289	Coupling, 13 tooth	1
J15	95-28		501402	Cover assembly, CW	1
J15	95-28		501401-S	Cover assembly, CCW	1
J30	95-28		303651	Bushing	1
J50	95-28		505068	O-ring	1
J60	09-30		520950	Flange adapter, SAE B	1
J60	95-28	09-29	505132	Flange adapter, SAE B (SB-2009-075 on page 77)	1
J70	95-28	09-29	279729	Washer (SB-2009-075 on page 77)	4
J80	89-46		505260	Screw	4
J90	09-30		8801061	B pad seal	1
J90	95-28	09-29	726935 (9004104-0450)	O-ring (SB-2009-075 on page 77)	1
J92	09-30		8801059	Cover plate	1
J92	95-28	09-29	4460370	Cover plate (SB-2009-075 on page 77)	1
J95	95-28		9007200-5021	Screw	2

Auxiliary mounting C1-CD

Parts configuration



* = included in overhaul seal kit Q210

Order code: C1

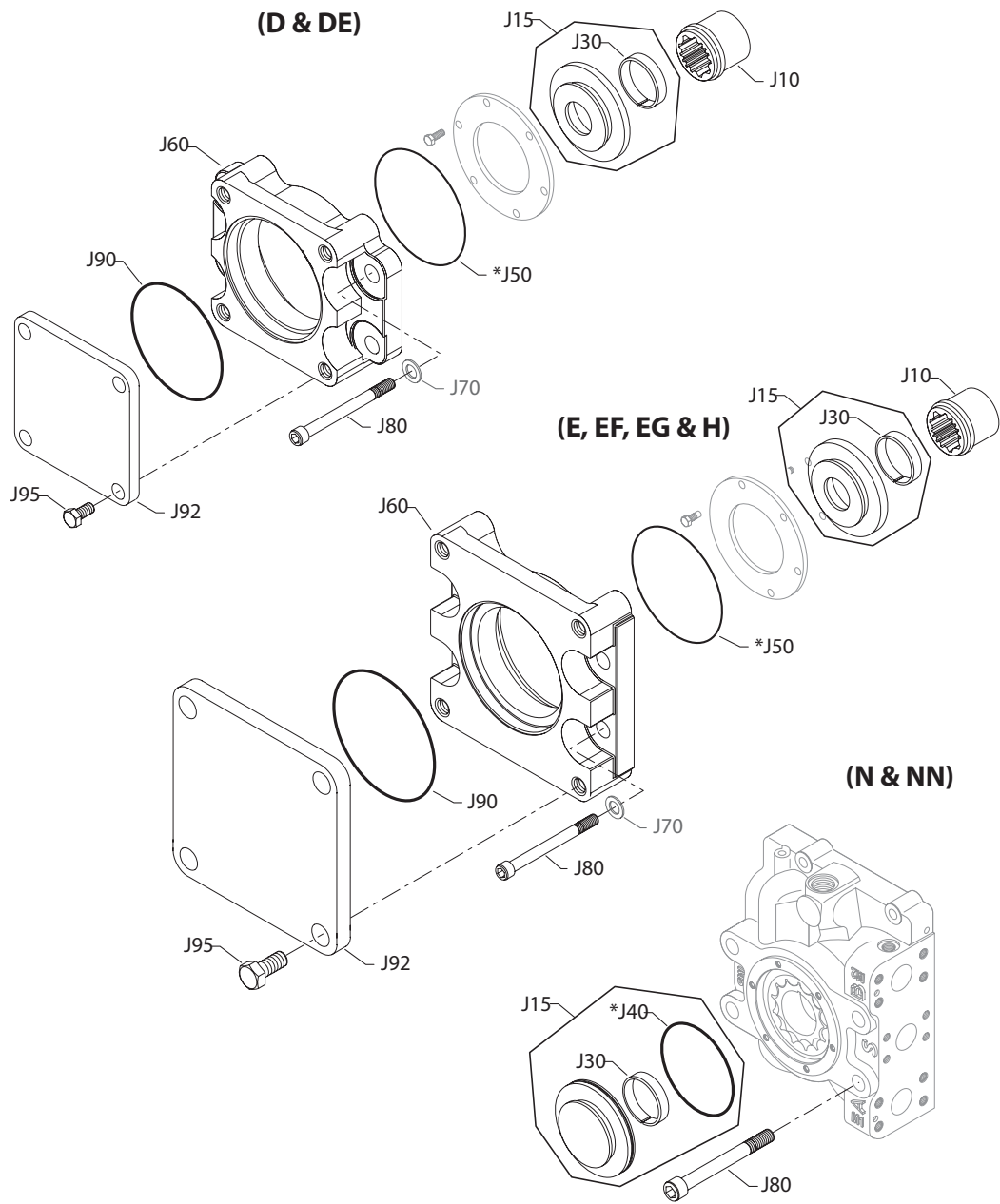
Item	Date begin	Date end	Part number	Part name	Qty. per model/kit
J10	06-25		11053337	Coupling, 17 tooth	1
J15	95-28		503399	Cover assembly, CW	1
J15	95-28		503397	Cover assembly, CCW	1
J30	95-28		303651	Bushing	1
J50	95-28		505068	O-ring	1
J60	09-30		520951	Flange adapter, SAE C	1
J60	95-28	09-29	505139	Flange adapter, SAE C (<i>SB-2009-076</i> on page 79)	1
J70	95-28	09-29	279729	Washer (<i>SB-2009-076</i> on page 79)	4
J80	89-46		505260	Screw	4
J90	09-30		11081805	C pad seal	1
J90	95-28	09-29	726943 (9004104-0490)	O-ring (<i>SB-2009-076</i> on page 79)	1
J92	09-30		8801060	Cover plate	1
J92	95-28	09-29	307363 (8800406)	Cover plate (<i>SB-2009-076</i> on page 79)	1
J95	95-28		9007200-5021	Screw	4

Order code: CD & C

J10	95-28		11053291	Coupling, 14 tooth	1
J15	95-28		501402	Cover assembly, CW	1
J15	95-28		501401-S	Cover assembly, CCW	1
J30	95-28		303651	Bushing	1
J50	95-28		505068	O-ring	1
J60	09-30		520951	Flange adapter, SAE C	1
J60	95-28	09-29	505139	Flange adapter, SAE C (<i>SB-2009-076</i> on page 79)	1
J70	95-28	09-29	279729	Washer (<i>SB-2009-076</i> on page 79)	4
J80	89-46		505260	Screw	4
J90	09-30		11081805	C pad seal	1
J90	95-28	09-29	726943 (9004104-0490)	O-ring (<i>SB-2009-076</i> on page 79)	1
J92	09-30		8801060	Cover plate	1
J92	95-28	09-29	307363 (8800406)	Cover plate (<i>SB-2009-076</i> on page 79)	1
J95	95-28		9007200-5021	Screw	4

Auxiliary mounting D-NN

Parts configuration



* = included in overhaul seal kit Q210

Order code: D & DE

Item	Date begin	Date end	Part number	Part name	Qty. per model/kit
J10	95-28		11053290	Coupling, 13 tooth	1
J15	95-28		503663	Cover assembly, CW	1
J15	95-28		503666	Cover assembly, CCW	1
J30	95-28		303651	Bushing	1
J50	95-28		505068	O-ring	1
J60	95-28		505140	Flange adapter, SAE, D	1
J70	95-28	15-46	279729	Washer	4
J80	95-28		505260	Screw	4
J90	95-28		726927	O-ring	1
J92	95-28		338400	Cover plate	1
J95	95-28		9007200-7524	Screw	4

Order code: E & EF

J10	95-28		11053290	Coupling, 13 tooth	1
J15	95-28		503663	Cover assembly, CW	1
J15	95-28		503666	Cover assembly, CCW	1
J30	95-28		303651	Bushing	1
J50	95-28		505068	O-ring	1
J60	95-28		505141	Flange adapter, SAE E	1
J70	95-28	15-46	279729	Washer	4
J80	95-28		505260	Screw	4
J90	95-28		505068	O-ring	1
J92	95-28		750422	Cover plate	1
J95	95-28		9007200-7524	Screw	4

Order code: EG & H

J10	95-28		11195845	Coupling, 27 tooth	1
J15	95-28		503663	Cover assembly, CW	1
J15	95-28		503666	Cover assembly, CCW	1
J30	95-28		303651	Bushing	1
J50	95-28		505068	O-ring	1
J60	95-28		505141	Flange adapter, SAE E	1
J70	95-28	15-46	279729	Washer	4
J80	95-28		505260	Screw	4
J90	95-28		505068	O-ring	1
J92	95-28		750422	Cover plate	1
J95	95-28		9007200-7524	Screw	4

Order code: N & NN

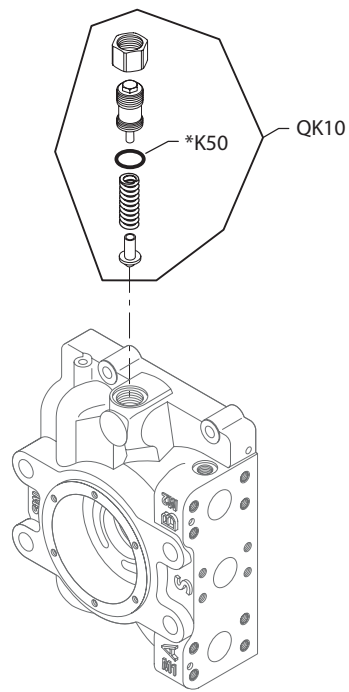
J15	95-28		501400	Cover assembly	1
J30	95-28		303651	Bushing	1
J40	95-28		11147582	O-ring	1
J80	95-28		505422	Screw	4

Charge Pressure Setting

Charge pressure relief

Parts configuration

(18-36)



* = included in overhaul seal kit Q210

Order Code: 18-32

Item	Date Begin	Date End	Part Number	Part Name	Qty. per Model/Kit
QK10	95-28		8510272	Charge relief valve kit, 18-32 bar	1
K50	95-28		001156 (9004201-7500)	O-ring	1

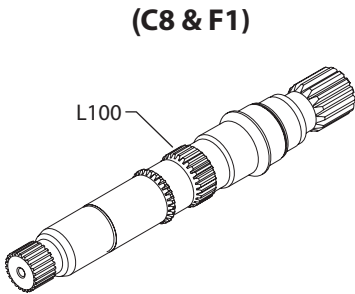
Order Code: 36

QK10	95-28		8510390	Charge relief valve kit, 34-36 bar	1
K50	95-28		001156 (9004201-7500)	O-ring	1

Shaft

Shaft C8-F1

Parts configuration



Order code: C8

Item	Date Begin	Date End	Part Number	Part Name	Qty. per Model/Kit
L100	95-28		504338	Shaft, 27 tooth spline	1

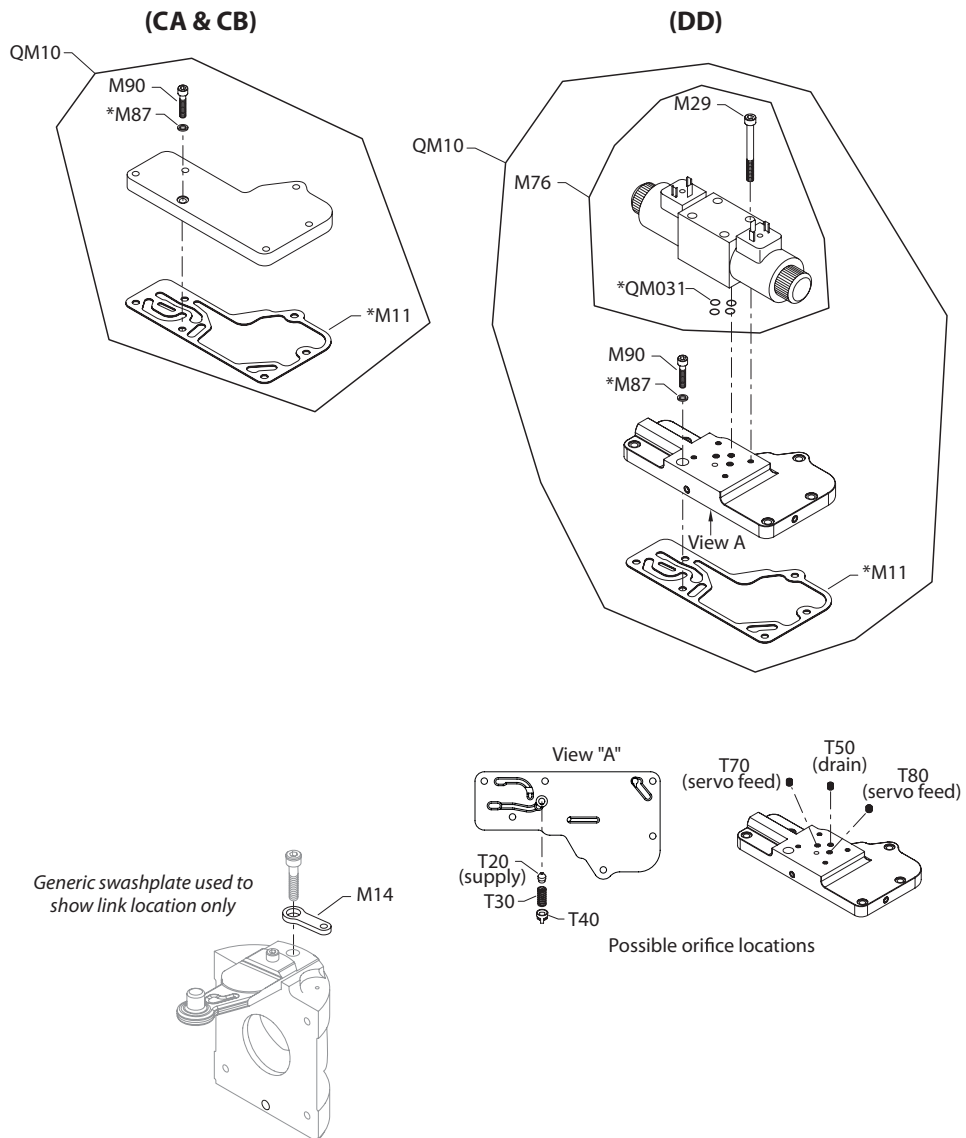
Order code: F1

L100	95-28		504411	Shaft, 13 tooth spline	1
------	-------	--	--------	------------------------	---

Controls

Control CA-DD

Parts configuration



All orifices present in the original control must be transferred to the replacement control. If replacement control contains pre-installed orifices, remove and discard them before transferring existing orifices to new control.

* = included in control seal kit QM210

Order Code: CA

Item	Date Begin	Date End	Part Number	Part Name	Qty. per Model/Kit
M11	13-42		8800923	Control gasket	1
M90	13-42		693341 (9007314-0606)	Screw	6
QM10	13-42		11098677	Control cover plate kit	1
QM210	13-42		11096320	Control seal kit	1

Order Code: CB

M11	95-28		8800923	Control gasket	1
M14	95-28		11070308	Feedback link	1
M87	95-28	12-23	592386	Seal washer	1
M90	95-28		693341 (9007314-0606)	Screw	6
QM10	95-28		11098677	Control cover plate kit	1
QM210	95-28		11097122	Control seal kit	1

Order Code: CF

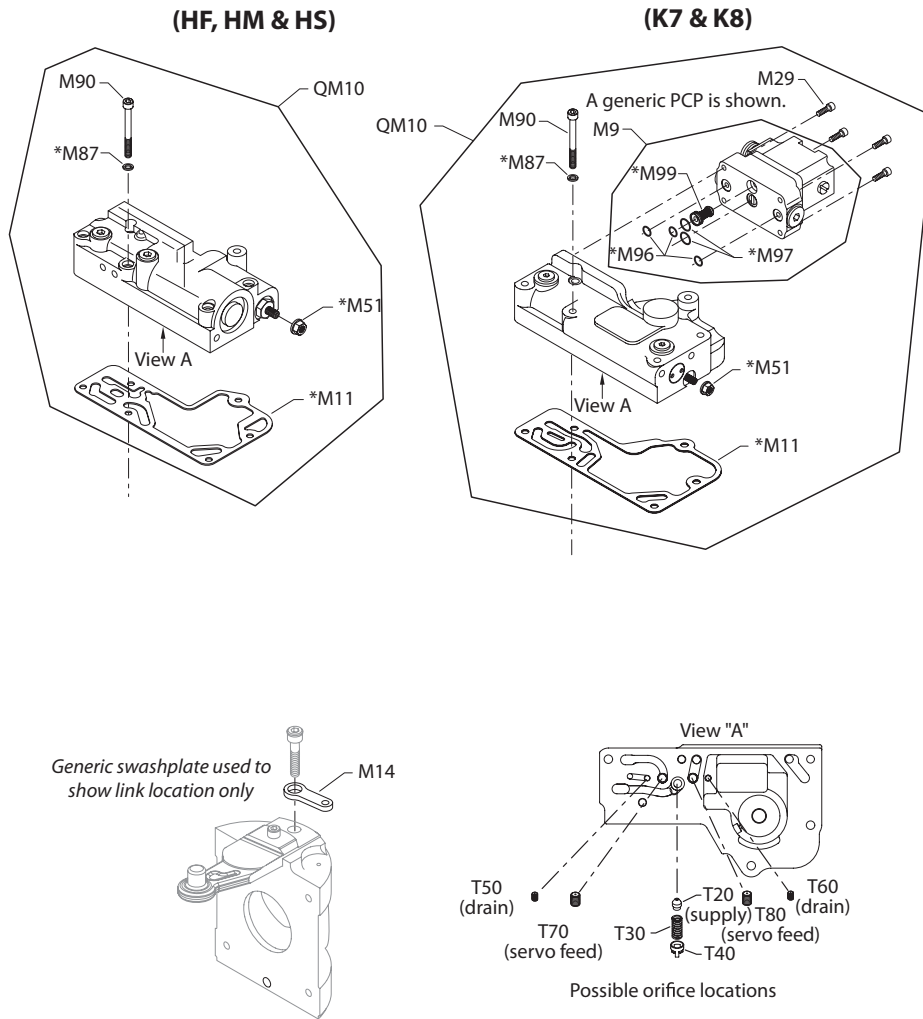
M11	95-28		509718	Control gasket	1
M14	95-28		11070308	Feedback link	1
M87	95-28	12-23	592386	Seal washer	1
M90	95-28		693341 (9007314-0606)	Screw	6
QM10	95-28		11098675	Control cover plate kit	1
QM210	95-28		11097122	Control seal kit	1

Order Code: DD

M11	95-28		8800923	Control gasket	1
M87	95-28	12-23	592386	Seal washer	1
M90	95-28		693341 (9007314-0606)	Screw	6
QM10	95-28		8102M0DD-A	3-position control kit, 24 volt	1
QM031	95-28		11099647	Valve seal kit	1
QM210	95-28		11096172	Control seal kit	1

Control HF-K8

Parts configuration



All orifices present in the original control must be transferred to the replacement control. If replacement control contains pre-installed orifices, remove and discard them before transferring existing orifices to new control.

* = included in control seal kit Q210

Order Code: HF

Item	Date Begin	Date End	Part Number	Part Name	Qty. per Model/Kit
M11	95-28		8801241	Control gasket (<i>SB-1999-065A</i> on page 72)	1
M14	95-28		11070308	Feedback link	1
M51	95-28		9003509-0008	Seal nut	1
M87	95-28	12-23	592386	Seal washer	1
M90	95-28		692889 (9007314-0611)	Screw	6
QM10	95-28		8510157	HDC kit, 3-11 bar	1
QM210	95-28		11096266	Control seal kit	1

Order Code: HM

M11	95-28		8801241	Control gasket	1
M14	95-28		11070308	Feedback link	1
M51	95-28		9003509-0008	Seal nut	1
M87	95-28	12-23	592386	Seal washer	1
M90	95-28		692889 (9007314-0611)	Screw	6
QM10	95-28		11013637	HDC kit, 1.1-6.7 bar	1
QM210	95-28		11096266	Control seal kit	1

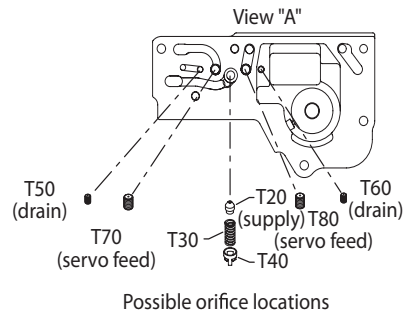
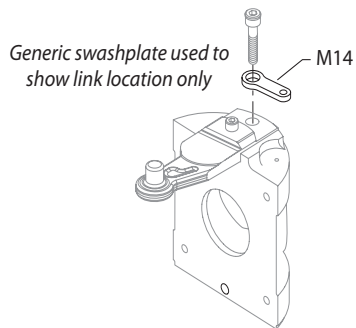
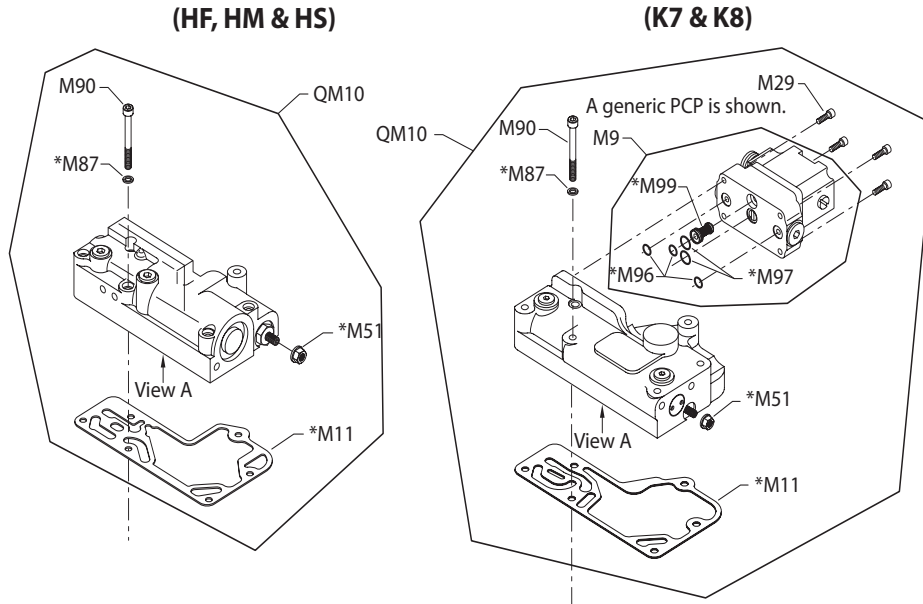
Order Code: HS

M11	95-28		8801241	Control gasket	1
M14	95-28		11070308	Feedback link	1
M51	95-28		9003509-0008	Seal nut	1
M87	95-28	12-23	592386	Seal washer	1
M90	95-28		69889 (9007314-0611)	Screw	6
QM10	95-28		11020565	HDC kit, 6-18 bar	1
QM210	95-28		11096266	Control seal kit	1

Order Code: K7

M9	14-31		11375138	PCP, MS connector (<i>SB-HY2026-004</i> on page 86)	1
M11	14-31		8800923	Control gasket	1
M14	14-31		11070308	Feedback link	1
M29	14-31		K07067	Screw	4
M51	14-31		9003509-0008	Seal nut	1
M90	14-31		692889 (9007314-0611)	Screw	6
M96	14-31		011296 (9004105-0120)	O-ring	3
M97	14-31		9004105-0130	O-ring	2
M99	14-31		K08572	Filter assembly	1
QM10	14-31		11139997	EDC kit, MS connector	1
QM210	14-31		11095724	Control seal kit	1

Parts configuration



All orifices present in the original control must be transferred to the replacement control. If replacement control contains pre-installed orifices, remove and discard them before transferring existing orifices to new control.

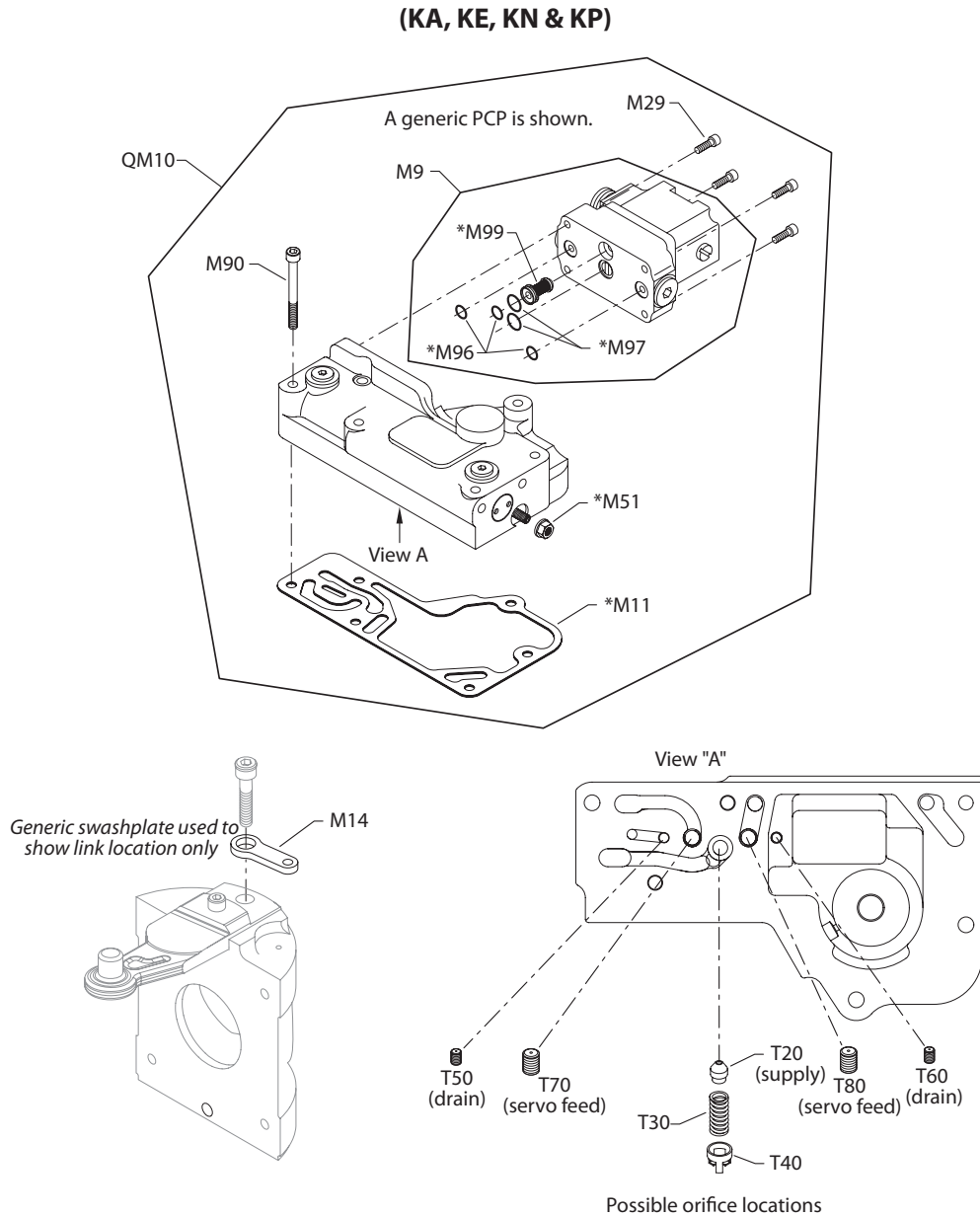
* = included in control seal kit Q210

Order Code: K8

Item	Date Begin	Date End	Part Number	Part Name	Qty. per Model/Kit
M9	15-28		11101106	PCP, MS connector	1
M11	15-28		8800923	Control gasket	1
M14	15-28		11070308	Feedback link	1
M29	15-28		K07067	Screw	4
M51	15-28		9003509-0008	Seal nut	1
M90	15-28		692889 (9007314-0611)	Screw	6
M96	15-28		011296 (9004105-0120)	O-ring	3
M97	15-28		9004105-0130	O-ring	2
M99	15-28		K08572	Filter assembly	1
QM10	15-28		11168552	EDC3 kit, MS connector	1
QM210	15-28		11095724	Control seal kit	1

Control KA-KP

Parts configuration



All orifices present in the original control must be transferred to the replacement control. If replacement control contains pre-installed orifices, remove and discard them before transferring existing orifices to new control.

* = included in overhaul seal kit QM210

Order code: KA

Item	Date Begin	Date End	Part Number	Part Name	Qty. per Model/Kit
M9	95-28		MCV116G4201	PCP, MS connector	1
M11	95-28		8800923	Control gasket	1
M14	95-28		11070308	Feedback link	1
M29	95-28		K07067	Screw	4
M51	95-28		9003509-0008	Seal nut	1
M87	95-28	12-23	592386	Seal washer	1
M90	95-28		692889 (9007314-0611)	Screw	6
M96	95-28		011296 (9004105-0120)	O-ring	3
M97	95-28		9004105-0130	O-ring	2
M99	95-28		K08572	Filter assembly	1
QM10	95-28		8510155	EDC3 kit, MS connector	1
QM210	95-28		11095724	Control seal kit	1

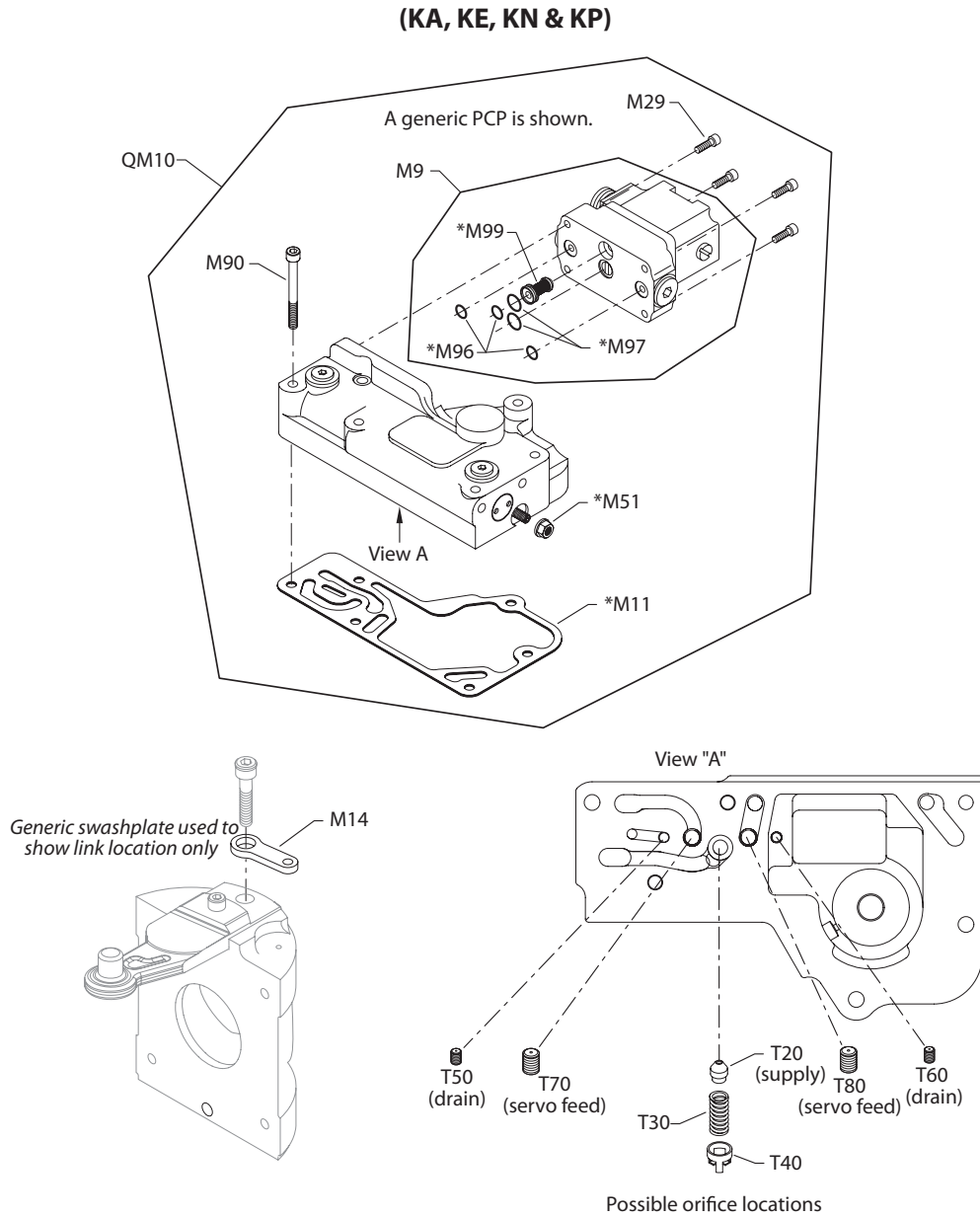
Order code: KE

M9	13-43		MCV116F3118	PCP, Deutsch connector	1
M11	13-43		8800923	Control gasket	1
M14	13-43		11070308	Feedback link	1
M29	13-43		K07067	Screw	4
M51	13-43		9003509-0008	Seal nut	1
M90	13-43		692889 (9007314-0611)	Screw	6
M96	13-43		011296 (9004105-0120)	O-ring	3
M97	13-43		9004105-0130	O-ring	2
M99	13-43		K08572	Filter assembly	1
QM10	13-43		11099382	EDC3 kit, Deutsch connector	1
QM210	13-43		110957s24	Control seal kit	1

Order code: KN

M9	95-28		MCV116A3501	PCP, MS connector	1
M11	95-28		8800923	Control gasket	1
M14	95-28		11070308	Feedback link	1
M29	95-28		K07067	Screw	4
M51	95-28		9003509-0008	Seal nut	1
M87	95-28	12-23	592386	Seal washer	1
M90	95-28		692889 (9007314-0611)	Screw	6
M96	95-28		011296 (9004105-0120)	O-ring	3
M97	95-28		9004105-0130	O-ring	2
M99	95-28		K08572	Filter assembly	1
QM10	95-28		8510185	EDC3 kit, MS connector	1
QM210	95-28		11095724	Control seal kit	1

Parts configuration



All orifices present in the original control must be transferred to the replacement control. If replacement control contains pre-installed orifices, remove and discard them before transferring existing orifices to new control.

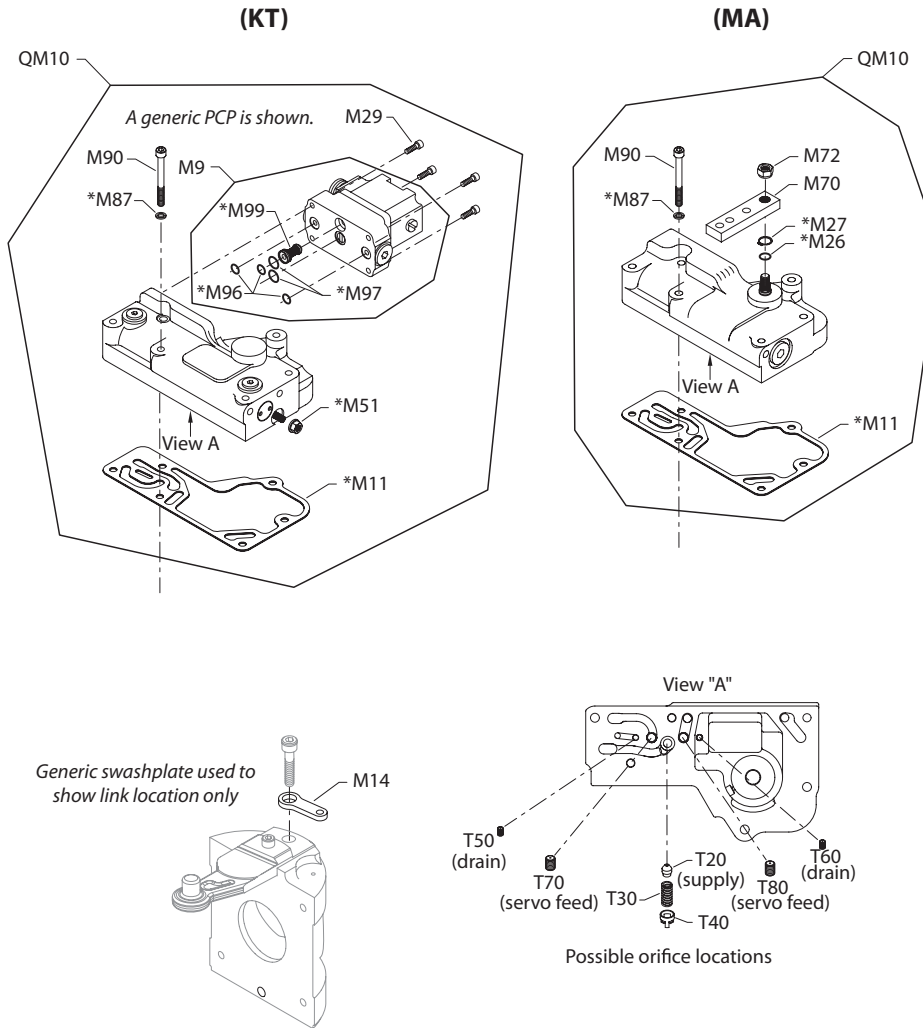
* = included in overhaul seal kit QM210

Order code: KP

Item	Date Begin	Date End	Part Number	Part Name	Qty. per Model/Kit
M9	95-28		MCV116G4204	PCP, Weather-Pac connector	1
M11	95-28		8800923	Control gasket	1
M14	95-28		11070308	Feedback link	1
M29	95-28		K07067	Screw	4
M51	95-28		9003509-0008	Seal nut	1
M87	95-28	12-23	592386	Seal washer	1
M90	95-28		692889 (9007314-0611)	Screw	6
M96	95-28		011296 (9004105-0120)	O-ring	3
M97	95-28		9004105-0130	O-ring	2
M99	95-28		K08572	Filter assembly	1
QM10	95-28		8510156	EDC3 kit, Weather-Pac connector	1
QM210	95-28		11095724	Control seal kit	1

Control KT-MA

Parts configuration



All orifices present in the original control must be transferred to the replacement control. If replacement control contains pre-installed orifices, remove and discard them before transferring existing orifices to new control.

* = included in control seal kit Q210

Order code: KT

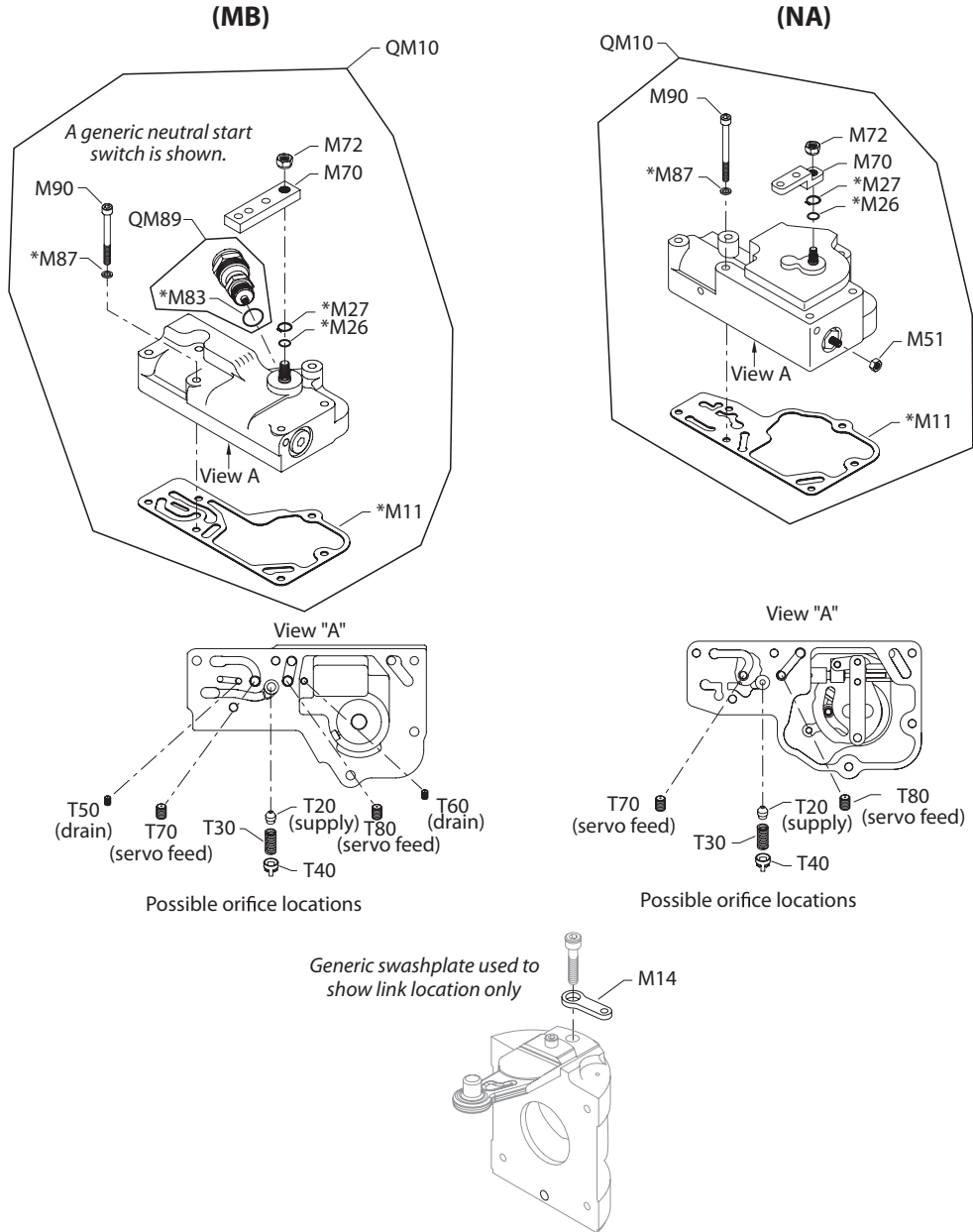
Item	Date Begin	Date End	Part Number	Part Name	Qty. per Model/Kit
M9	95-28		MCV116G4214	PCP, Deutsch connector	1
M11	95-28		8800923	Control gasket	1
M14	95-28		11070308	Feedback link	1
M29	95-28		K07067	Screw	4
M51	95-28		9003509-0008	Seal nut	1
M87	95-28	12-23	592386	Seal washer	1
M90	95-28		692889 (9007314-0611)	Screw	6
M96	95-28		011296 (9004105-0120)	O-ring	3
M97	95-28		9004105-0130	O-ring	2
M99	95-28		K08572	Filter assembly	1
QM10	95-28		8510268	EDC 3 kit, Weather-Pac connector	1
QM210	95-28		11095724	Control seal kit	1

Order code: MA

M11	95-28		8800923	Control gasket	1
M14	95-28		1102308	Feedback link	1
M26	95-28		144725 (9004105-0110)	O-ring	1
M27	95-28		9006300-0044	Retaining ring	1
M70	95-28		9800916	Control handle	1
M72	95-28		040642 (9003513-0800)	Nut	1
M87	95-28		592386	Seal washer	1
M90	95-28		692889 (9007314-0611)	Screw	6
QM10	95-28		8510158	Control kit	1
QM210	95-28		11096274	Control seal kit	1

Control MB-NA

Parts configuration



All orifices present in the original control must be transferred to the replacement control. If replacement control contains pre-installed orifices, remove and discard them before transferring existing orifices to new control.

* = included in control seal kit Q210

Order code: MB

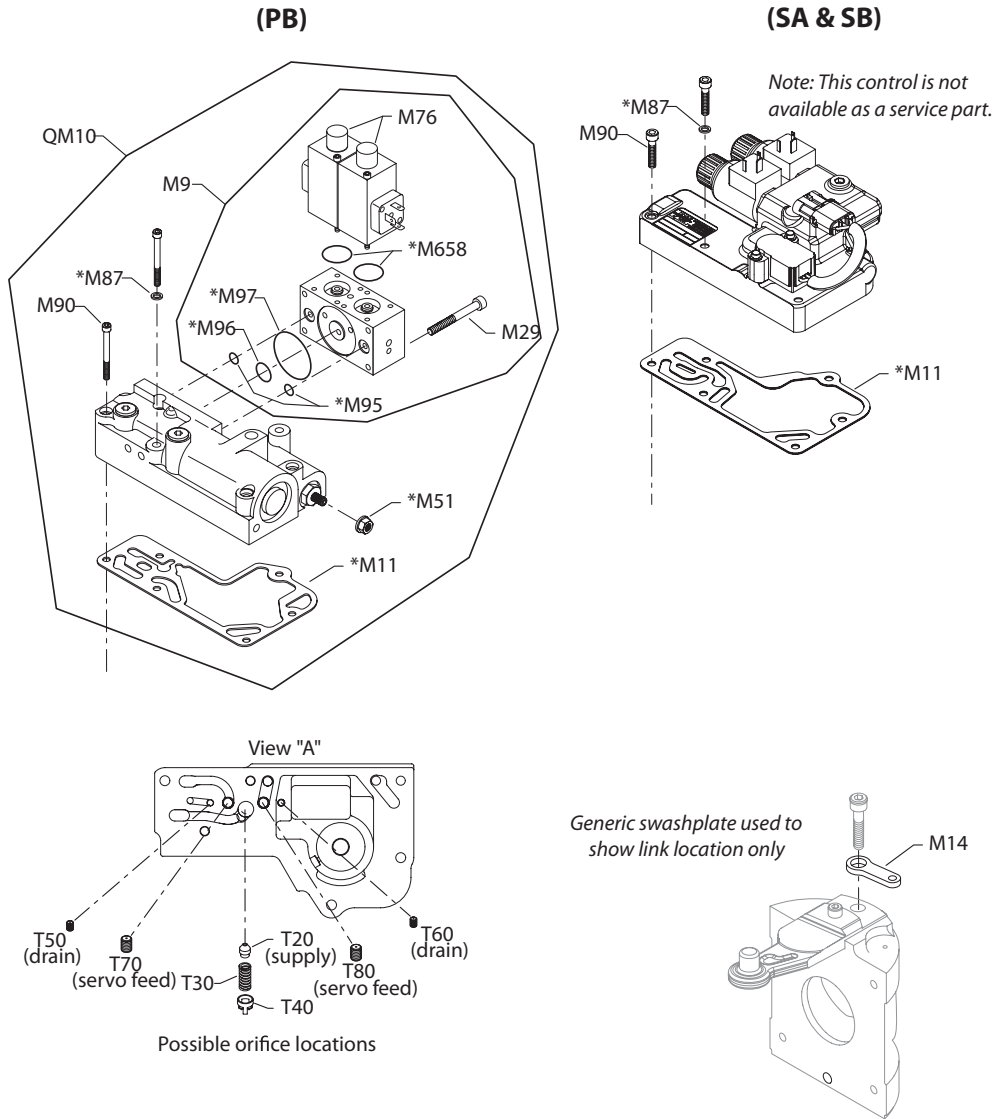
Item	Date Begin	Date End	Part Number	Part Name	Qty. per Model/Kit
M11	95-28		8800923	Control gasket	1
M14	95-28		11072308	Feedback link	1
M26	95-28		144725 (9004105-0110)	O-ring	1
M27	95-28		9006300-0044	Retaining ring	1
M70	95-28		9800916	Control handle	1
M72	95-28		040642 (9003513-0800)	Nut	1
M83	95-28		001131 (9004201-5000)	O-ring	1
M87	95-28	12-23	592386	Seal washer	1
M90	95-28		692889 (9007314-0611)	Screw	6
QM10	95-28		8510186	Control kit with neural start switch	1
QM89	95-28		80020540	Neural start switch	1
QM210	95-28		11096274	Control seal kit	1

Order code: NA

M11	95-46		504733	Control gasket	1
M14	95-46		1102308	Feedback link	1
M26	95-46		144725 (9004105-0110)	O-ring	1
M27	95-46		9006300-0044	Retaining ring	1
M51	95-46		345462	Nut	1
M70	95-46		769075	Control handle	1
M72	95-46		040642 (9003513-0800)	Nut	1
M87	95-46	12-23	592386	Seal washer	1
M90	95-46		9007314-0614	Screw	6
QM10	95-46		11098672	Control kit	1
QM210	95-46		11096273	Control seal kit	1

Control PB-SB

Parts configuration



All orifices present in the original control must be transferred to the replacement control. If replacement control contains pre-installed orifices, remove and discard them before transferring existing orifices to new control.

* = included in control seal kit Q210

Order code: PB

Item	Date Begin	Date End	Part Number	Part Name	Qty. per Model/Kit
M9	95-28		782045	PDC, 24 volt	1
M11	95-28		8801241	Gasket	1
M14	95-28		11072308	Feedback link	1
M29	95-28		035592	Screw	4
M51	95-28		9003509-0008	Seal nut	1
M76	95-28		11001794	Solenoid, 24 volt	2
M87	95-28	12-37	592386	Seal washer	1
M90	95-28		692889 (9007314-0611)	Screw	6
M95	95-28		011296 (9004105-0120)	O-ring	2
M96	95-28		688721-5 (9004104-0170)	O-ring	1
M97	95-28		314534 (9004104-0310)	O-ring	1
M658	95-28		635938 (9004100-0210)	O-ring	2
QM10	95-28		8510378	Control kit, 24 volt	1
QM210	95-28		11096251	Control seal kit	1

Order code: SA

M11	95-28		8800923	Control gasket	1
M14	95-28		11072308	Feedback link	1
M87	95-28	12-23	592386	Seal washer	1
M90	95-28		694356	Screw	6
QM210	95-28		11096320	Control seal kit	1

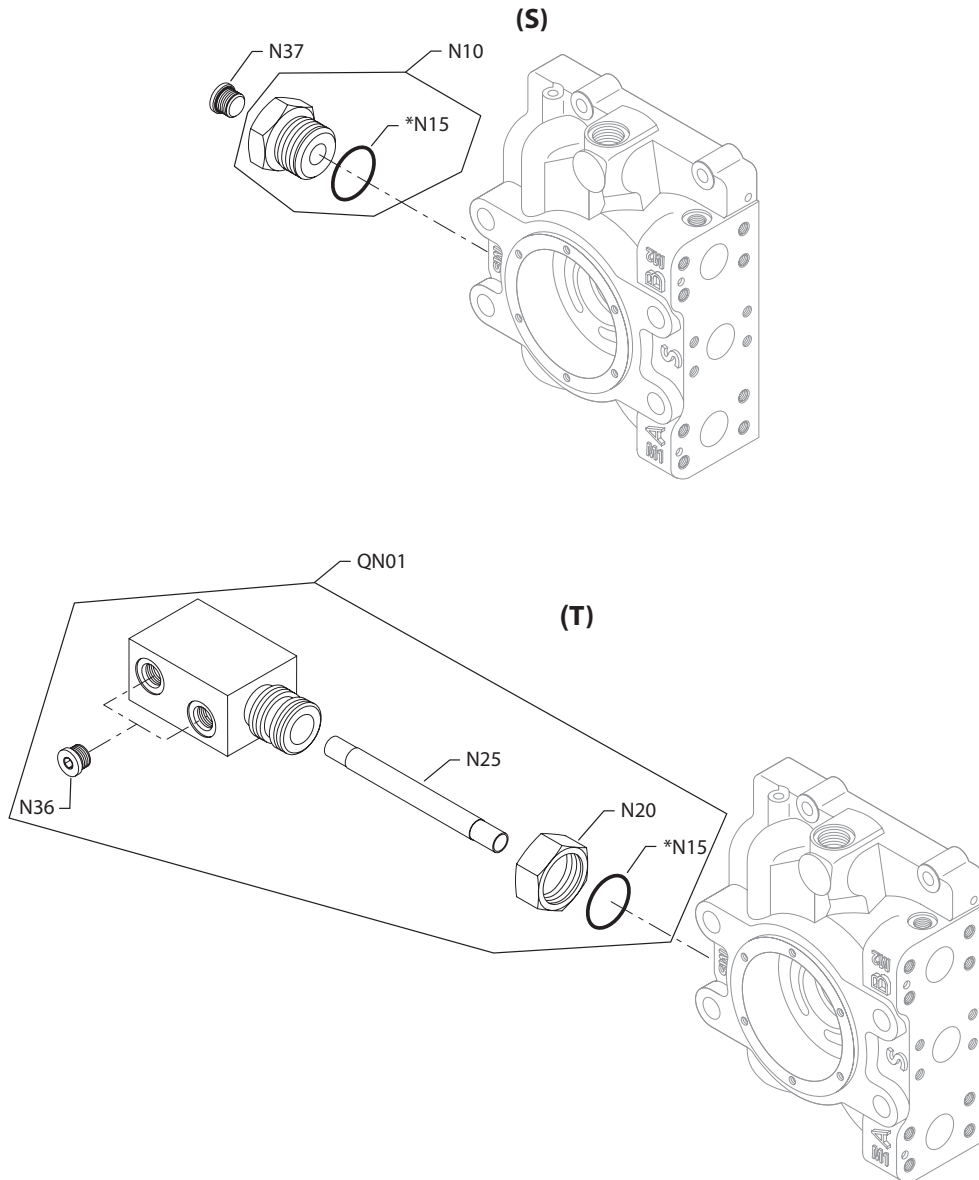
Order code: SB

M11	95-28		8800923	Control gasket	1
M14	95-28		11072308	Feedback link	1
M87	95-28	12-23	592386	Seal washer	1
M90	95-28		694356	Screw	6
QM210	95-28		11096320	Control seal kit	1

Filtration

Filtration D-T

Parts configuration



Generic end cap used to show part location only.

* = included in overhaul seal kit Q210

Order code: D

Item	Date Begin	Date End	Part Number	Part Name	Qty. per Model/Kit
			None		

Order code: S

N10	95-28		757831	Reducer fitting assembly	1
N15	95-28		093823 (9004201-9200)	O-ring	1
N37	95-28		140644	Plug assembly	1

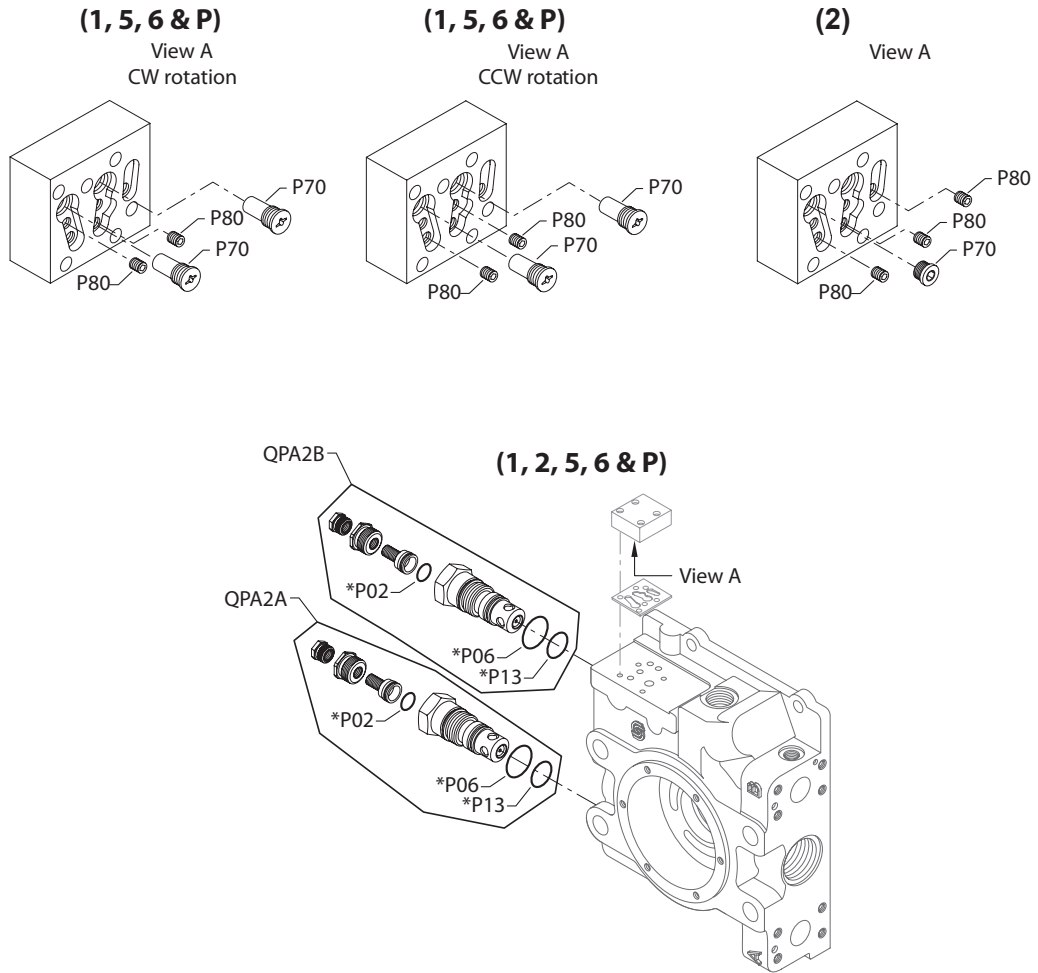
Order code: T

N15	95-28		093823 (9004201-9200)	O-ring	1
N20	95-28		11139975	Nut	1
N25	95-28		507016	Tube	1
N36	95-28		140644	Plug assembly	2
QN01	95-28		8510147	Remote filtration manifold kit	1

High Pressure Protection

High pressure regulation

Parts configuration



* = included in overhaul seal kit Q210

Order code: 1

Item	Date Begin	Date End	Part Number	Part Name	Qty. per Model/Kit
P02	94-20		775080	O-ring	2
P06	94-20		360784 (9004105-0290)	O-ring	2
P13	94-20		775155	O-ring	2
P70	94-20		8800188	Check valve	2
P80	94-20		9005475-0004	Special plug	2
QPA2A	94-20		8510023-1	Multi-function valve kit	1
QPA2B	94-20		8510023-1	Multi-function valve kit	1

Order code: 2

P02	94-20		775080	O-ring	2
P06	94-20		360784 (9004105-0290)	O-ring	2
P13	94-20		775155	O-ring	2
P70	94-20		9005110-4400	Plug assembly	1
P80	94-20		9005475-0004	Pipe plug	3
QPA2A	94-20		8510023-2	Multi-function valve kit	1
QPA2B	94-20		8510023-2	Multi-function valve kit	1

Order code: 5

P02	94-20		775080	O-ring	2
P06	94-20		360784 (9004105-0290)	O-ring	2
P13	94-20		775155	O-ring	2
P70	94-20		8800188	Check valve	2
P80	94-20		9005475-0004	Special plug	2
QPA2A	94-20		8510274	Multi-function valve kit	1
QPA2B	94-20		8510274	Multi-function valve kit	1

Order code: 6

P02	94-20		775080	O-ring	2
P06	94-20		360784 (9004105-0290)	O-ring	2
P13	94-20		775155	O-ring	2
P70	94-20		8800188	Check valve	2
P80	94-20		9005475-0004	Special plug	2
QPA2A	94-20		8510023-6	Multi-function valve kit	1
QPA2B	94-20		8510023-6	Multi-function valve kit	1

Order code: P

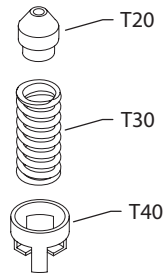
P02	94-20		775080	O-ring	2
P06	94-20		360784 (9004105-0290)	O-ring	2
P13	94-20		775155	O-ring	2
P70	94-20		8800188	Check valve	2
P80	94-20		9005475-0004	Special plug	2
QPA2A	94-20		8510292	Multi-function valve kit	1
QPA2B	94-20		8510292	Multi-function valve kit	1

Orifice

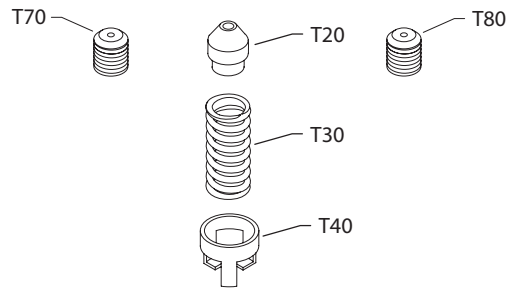
Orifice 00-38

Parts configuration

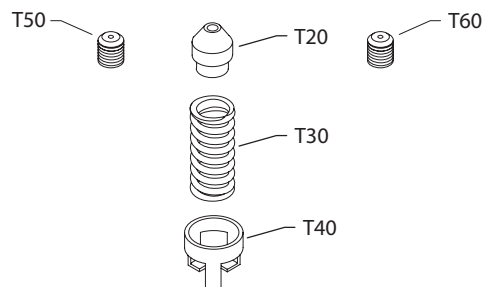
**(01, 02, 03, 04, 05,
06, 09 & 22)**



(38)



(26)



See control drawings for orifice locations

Order code: 00

Item	Date Begin	Date End	Part Number	Part Name	Qty. per Model/Kit
0			None		

Order code: 01

T20	95-28		8801136	Orificed check valve, .018"	1
T30	95-28		679506 (8700007)	Spring	1
T40	95-28		8801303	Spring retainer	1

Order code: 02

T20	95-28		8801139	Orificed check valve, .026"	1
T30	95-28		679506 (8700007)	Spring	1
T40	95-28		8801303	Spring retainer	1

Order code: 03

T20	95-28		11061958	Orificed check valve, .81mm	1
T30	95-28		679506 (8700007)	Spring	1
T40	95-28		8801303	Spring retainer	1

Order code: 04

T20	95-28		11061970	Orificed check valve, 1.02mm	1
T30	95-28		679506 (8700007)	Spring	1
T40	95-28		8801303	Spring retainer	1

Order code: 05

T20	95-28		11061981	Orificed check valve, 1.37mm	1
T30	95-28		679506 (8700007)	Spring	1
T40	95-28		8801303	Spring retainer	1

Order code: 06

T20	95-28		11061981	Orificed check valve, 1.57mm	1
T30	95-28		679506 (8700007)	Spring	1
T40	95-28		8801303	Spring retainer	1

Order code: 09

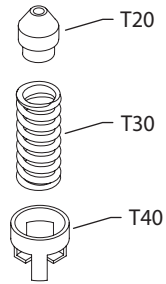
T20	95-28		11062006	Orificed check valve 2.34mm	1
T30	95-28		679506 (8700007)	Spring	1
T40	95-28		8801303	Spring retainer	1

Order code: 22

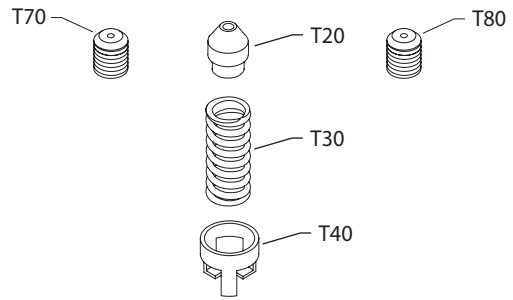
T20	95-28		8801137	Orificed check valve, .022"	1
T30	95-28		679506 (8700007)	Spring	1
T40	95-28		8801303	Spring retainer	1

Parts configuration

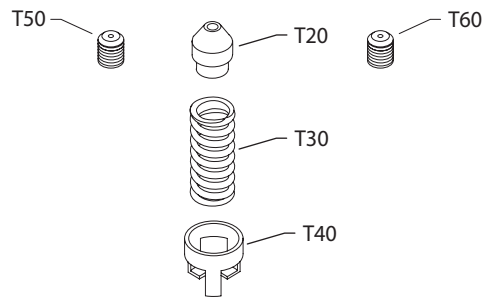
**(01, 02, 03, 04, 05,
06, 09 & 22)**



(38)



(26)



See control drawings for orifice locations

Order code: 26

Item	Date Begin	Date End	Part Number	Part Name	Qty. per Model/Kit
T20	95-28		11061958	Orificed check valve, 0.81 mm	1
T30	95-28		679506 (8700007)	Spring	1
T40	95-28		8801303	Spring retainer	1
T50	95-28		598292	Orifice plug, 0.8mm, M5 x 6	1
T60	95-28		598292	Orifice plug, 0.8mm, M5 x 6	1

Order code: 33

			None		
--	--	--	------	--	--

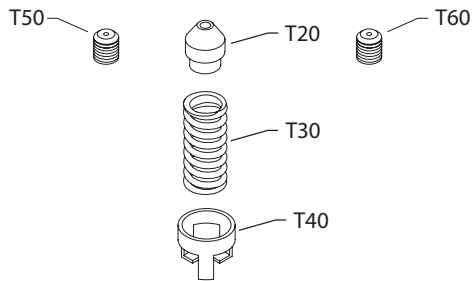
Order code: 38

T20	95-28		8801139	Orificed check valve, 0.26"	1
T30	95-28		679506 (8700007)	Spring	1
T40	95-28		8801303	Spring retainer	1
T70	95-28		716837	Orifice plug, 0.6mm, M8 x 8	1
T80	95-28		716837	Orifice plug, 0.6mm, M8 x 8	1

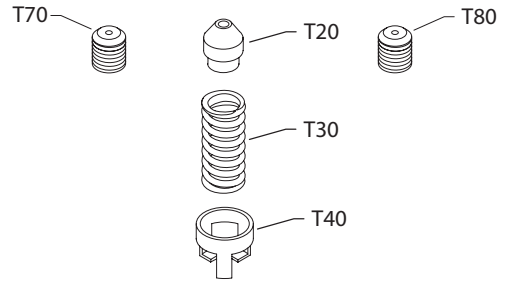
Orifice 49-C6

Parts configuration

(49, C3, C5 & C6)



(54 & 76)



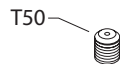
(72 & C4)



(A4)



(B1)



See control drawings for orifice locations

Order code: 49

Item	Date Begin	Date End	Part Number	Part Name	Qty. per Model/Kit
T20	95-28		11061958	Orificed check valve, 0.81mm	1
T30	95-28		679506 (8700007)	Spring	1
T40	95-28		8801303	Spring retainer	1
T50	95-28		639120	Orifice plug, 1.0mm, M5 x 6	1
T60	95-28		639120	Orifice plug, 1.0mm, M5 x 6	1

Order code: 54

T20	95-28		11061970	Orificed check valve, 1.02mm	1
T30	95-28		679506 (8700007)	Spring	1
T40	95-28		8801303	Spring retainer	1
T70	95-28		755793	Orifice plug, 1.0mm, M8 x 8	1
T80	95-28		755793	Orifice plug, 1.0mm, M8 x 8	1

Order code: 72

T50	95-28		617159	Orifice plug, 1.8mm, M5 x 6	1
T60	95-28		617159	Orifice plug, 1.8mm, M5 x 6	1

Order code: 76

T20	95-28		8801139	Orificed check valve, 0.26"	1
T30	95-28		679506 (8700007)	Spring	1
T40	95-28		8801303	Spring retainer	1
T70	95-28		578542	Orifice plug, 0.8mm, M6 x 8	1
T80	95-28		578542	Orifice plug, 0.8mm, M6 x 8	1

Order code: A4

T70	95-28		578542	Orifice plug, 0.8mm, M6 x 8	1
T80	95-28		578542	Orifice plug, 0.8mm, M6 x 8	1

Order code: B1

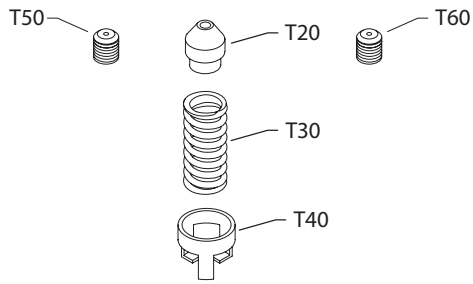
T50	95-28		507042	Orifice plug, 1.5mm, M6 x 8	1
-----	-------	--	--------	-----------------------------	---

Order code: C3

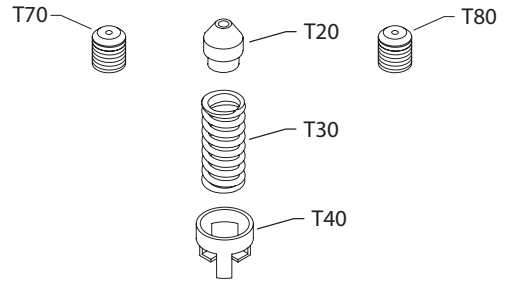
T20	95-28		8801139	Orificed check valve, 0.26"	1
T30	95-28		679506 (8700007)	Spring	1
T40	95-28		8801303	Spring retainer	1
T50	95-28		639153	Orifice plug, 1.3mm, M5 x 6	1
T60	95-28		639153	Orifice plug, 1.3mm, M5 x 6	1

Parts configuration

(49, C3, C5 & C6)



(54 & 76)



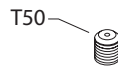
(72 & C4)



(A4)



(B1)



See control drawings for orifice locations

Order code: C4

Item	Date Begin	Date End	Part Number	Part Name	Qty. per Model/Kit
T50	95-28		639161	Orifice plug, 1.4mm, M5 x 6	1
T60	95-28		639161	Orifice plug, 1.4mm, M5 x 6	1

Order code: C5

T20	95-28		11061958	Orificed check valve, 0.81mm	1
T30	95-28		679506 (8700007)	Spring	1
T40	95-28		8801303	Spring retainer	1
T50	95-28		639161	Orifice plug, 1.4mm, M5 x 6	1
T60	95-28		639161	Orifice plug, 1.4mm, M5 x 6	1

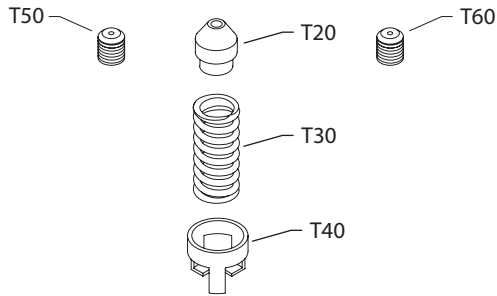
Order code: C6

T20	95-28		11061970	Orificed check valve, 1.02mm	1
T30	95-28		679506 (8700007)	Spring	1
T40	95-28		8801303	Spring retainer	1
T50	95-28		639161	Orifice plug, 1.4mm, M5 x 6	1
T60	95-28		639161	Orifice plug, 1.4mm, M5 x 6	1

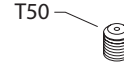
Orifice C7-P1

Parts configuration

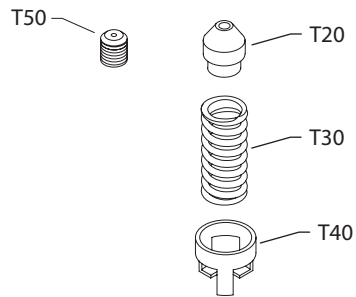
(C7 & K3)



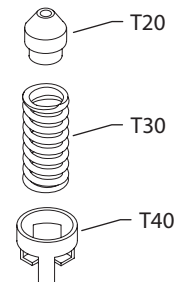
(G1)



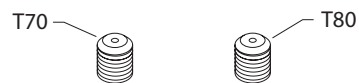
(G4, G8, GB, GD, GF & GJ)



(K1)



(P1)



See control drawings for orifice locations

Order code: C7

Item	Date Begin	Date End	Part Number	Part Name	Qty. per Model/Kit
T20	95-28		11061981	Orificed check valve, 1.37mm	1
T30	95-28		679506 (8700007)	Spring	1
T40	95-28		8801303	Spring retainer	1
T50	95-28		639161	Orifice plug, 1.4mm, M5 x 6	1
T60	95-28		639161	Orifice plug, 1.4mm, M5 x 6	1

Order code: G1

T50	95-28		310771	Orifice plug, 1.2mm, M6 x 6	1
-----	-------	--	--------	-----------------------------	---

Order code: G4

T20	95-28		8801136	Orificed check valve, .018"	1
T30	95-28		679506 (8700007)	Spring	1
T40	95-28		8801303	Spring retainer	1
T50	95-28		310771	Orifice plug, 1.2mm, M6 x 6	1

Order code: G8

T20	95-28		8801139	Orificed check valve, .026"	1
T30	95-28		679506 (8700007)	Spring	1
T40	95-28		8801303	Spring retainer	1
T50	95-28		310771	Orifice plug, 1.2mm, M6 x 6	1

Order code: GB

T20	95-28		11061958	Orificed check valve, 0.81mm	1
T30	95-28		679506 (8700007)	Spring	1
T40	95-28		8801303	Spring retainer	1
T50	95-28		310771	Orifice plug, 1.2mm, M6 x 6	1

Order code: GD

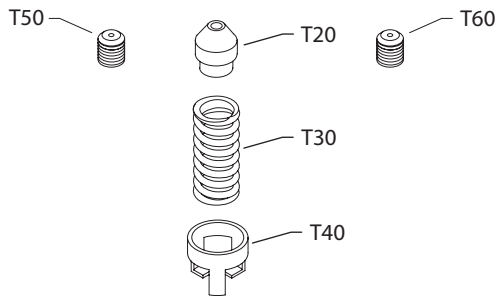
T20	95-28		11061993	Orificed check valve, 1.57mm	1
T30	95-28		679506 (8700007)	Spring	1
T40	95-28		8801303	Spring retainer	1
T50	95-28		310771	Orifice plug, 1.2 mm, M6 x 6	1

Order code: GF

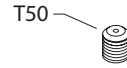
T20	95-28		11061970	Orificed check valve, 1.02mm	1
T30	95-28		679506 (8700007)	Spring	1
T40	95-28		8801303	Spring retainer	1
T50	95-28		310771	Orifice plug, 1.2mm, M6 x 6	1

Parts configuration

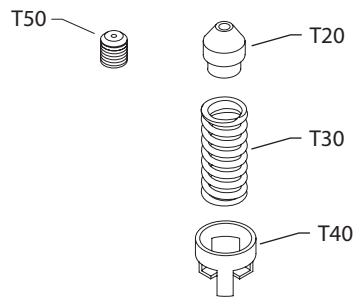
(C7 & K3)



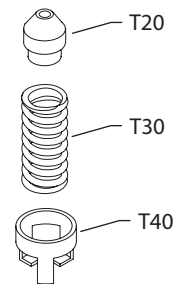
(G1)



(G4, G8, GB, GD, GF & GJ)



(K1)



(P1)



See control drawings for orifice locations

Order code: GJ

Item	Date Begin	Date End	Part Number	Part Name	Qty. per Model/Kit
T20	95-28		11061981	Orificed check valve, 1.37mm	1
T30	95-28		679506 (8700007)	Spring	1
T40	95-28		8801303	Spring retainer	1
T50	95-28		310771	Orifice plug, 1.2mm, M6 x 6	1

Order code: K1

T20	95-28		11061981	Orificed check valve, 1.37mm	1
T30	95-28		679506 (8700007)	Spring	1
T40	95-28		8801303	Spring retainer	1

Order code: K3

T20	95-28		11061993	Orificed check valve, 1.37mm	1
T30	95-28		679506 (8700007)	Spring	1
T40	95-28		8801303	Spring retainer	1
T50	95-28		639120	Orifice plug, 1.0mm, M5 x 6	1
T60	95-28		639120	Orifice plug, 1.0mm, M5 x 6	1

Order code: P1

T70	94-20		508014	Orifice plug, 1.0mm, M6 x 8	1
T80	94-20		508014	Orifice plug, 1.0mm, M6 x 8	1

Overhaul Seal Kit

Overhaul seal kit

Item	Date Begin	Date End	Part Number	Part Name	Qty. per Model/Kit
Q210	95-28		11095664	Service seal kit, base pump, 250cc	1
C70	95-28		308643-S	Screw	4
E40	95-28		042432	Seal nut, M10	2
E50	95-28		517380	O-ring	1
E60	95-28		517231	Screw	6
F11	95-28		504627	O-ring	2
F12	95-28		507802	Piston ring	2
F40	95-28		9004104-1520	O-ring	2
F50	95-28		755272	O-ring	2
F112	95-28		649822	Seal nut, M14	1
F212	95-28		649822	Seal nut, M14	1
G30	95-28		511809	End cap gasket	1
J40	95-28		11147582	O-ring	1
J50	95-28		505068	O-ring	1
K50	95-28		001156 (9004201-7500)	O-ring	1
L25	95-28		11053971	Shaft seal carrier assembly	1
N15	95-28		093823 (9004201-9200)	O-ring	1
P02	95-28		775080 (9004100-0170)	O-ring	2
P06	95-28		360784 (9004105-0290)	O-ring	2
P13	95-28		775155	O-ring	2

Service Bulletin

SB-1996-004

Products affected

Series 90 42, 130, 180, and 250cc variable pumps

Subject

Side cover design change

Description

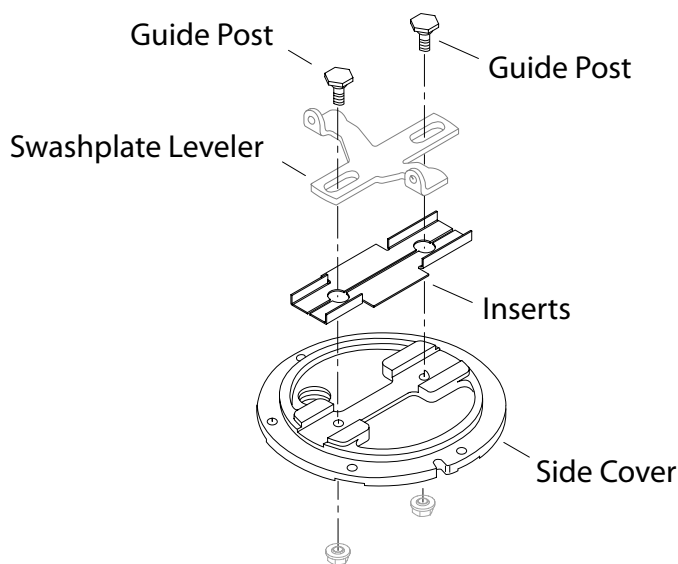
As a product improvement, Sauer-Sundstrand is changing the side cover and swashplate leveler (T-Bar) guide post design.

The new design side cover will have two hardened inserts in the machined slot which serves as a guide for the swashplate leveler, and modified guide posts. The swashplate leveler does not change.

Old guide posts will remain available for service requirements of pumps with the old design side cover.

The old style side cover will be obsoleted and no longer available as a service part. A service kit has been created for replacing the old design side cover. The kit includes the new side cover, guide posts and inserts. Piece parts are not interchangeable..

SB-1996-004



Models affected

All series 42, 130, 180, and 250cc variable pumps

Serial numbers

Change occurred at serial number N-96-08-xxxxx.

Part numbers affected

Old part numbers			New part numbers		
Description	Guide post	Side cover	Insert assy.	Guide post	Replacement kit
42 cc	344465	751305	506916	506369	506380
130 cc	503205	746107	8300004	506368	11027814
180 cc	503205	746404	506914	506368	506290
250 cc	503205	746404	506914	506368	506290

Parts disposition

Interchangeable - piece parts are not interchangeable

SB-1999-065A

Products affected

Series 90 75, 100, 130, 180, and 250cc variable displacement pumps

Subject

Hydraulic displacement control gasket and swashplate bearing locator pin retention

Description

The Series 90 75cc, 100cc, 130cc, 180cc, and 250cc variable displacement pumps utilize a common gasket to seal the joint between the displacement control housing and main pump housing.

In November 1998, Sauer-Danfoss introduced a new gasket design for Hydraulic Displacement Controls (HDC - all options), version 2 Electrical Displacement Controls (EDC2 - options EE and EN), and two amp current control (options PA and PB) equipped pumps (see SB-1998-038). The purpose of this gasket is primarily to seal the joint and aid in the retention of the bearing cage locator pin in the main pump housing. Sauer-Danfoss has identified that the new gasket may not adequately aid in the retention of this pin in 75cc pump sizes due to casting and machining tolerances. Installations which are particularly sensitive to pin retention include those oriented with the control on the side or on the bottom when the pump is installed. In these types of installations, it is possible for the pin to come out of its position in the pump housing. This will result in a loss of alignment between the swashplate and swashplate bearing assembly and the potential for erratic pump control and/or system performance.

To address this situation, Sauer-Danfoss has introduced a design modification to the control gasket. The modification will insure that the cage locator pin is retained in 75cc pumps in all circumstances, while still maintaining the desired gasket clamp load to avoid leaks.

The new gasket is completely interchangeable with the previous gasket. Sauer-Danfoss recommends that the previous control gasket be replaced immediately on 75cc pump assemblies, with controls noted above, in which the control is on the side or on the bottom of the pump. The pump serial numbers involved are A-98-41-xxxx through A-99-49-xxxx. It is not required to replace the gasket in pumps with the control in the up position, until the initial servicing of the pump assembly.

The 100cc, 130cc, 180cc, and 250cc pumps are not dependent upon the gasket to maintain retention of the bearing cage locator pin and are not affected by the information above.

The new gasket has replaced the previous gasket in all new pump assemblies with Hydraulic Displacement Control (HDC), version 2 Electrical Displacement Control (EDC2 - EE and EN), and two amp current (PA and PB) controls. The new gasket has also been placed in all appropriate control kits and overhaul seal kits. Page 3 of this bulletin will assist you in identifying the new gasket from the previous gasket.

Models affected

95-2xxx, 952xxxx, 96-2xxx, 962xxxx, 97-2xxx, 972xxxx, 98-2xxx, 982xxxx, 99-2xxx, and 992xxxx variable displacement pumps equipped with hydraulic displacement controls and specific option electronic displacement control. (EE, EN, PA, PB)

Serial numbers

Sauer-Danfoss Ames 75cc pump production: A-99-50-xxxx.

Sauer-Danfoss Ames 100cc pump production: A-00-25-xxxx.

Sauer-Danfoss Neumunster production: N-00-01-xxxx.

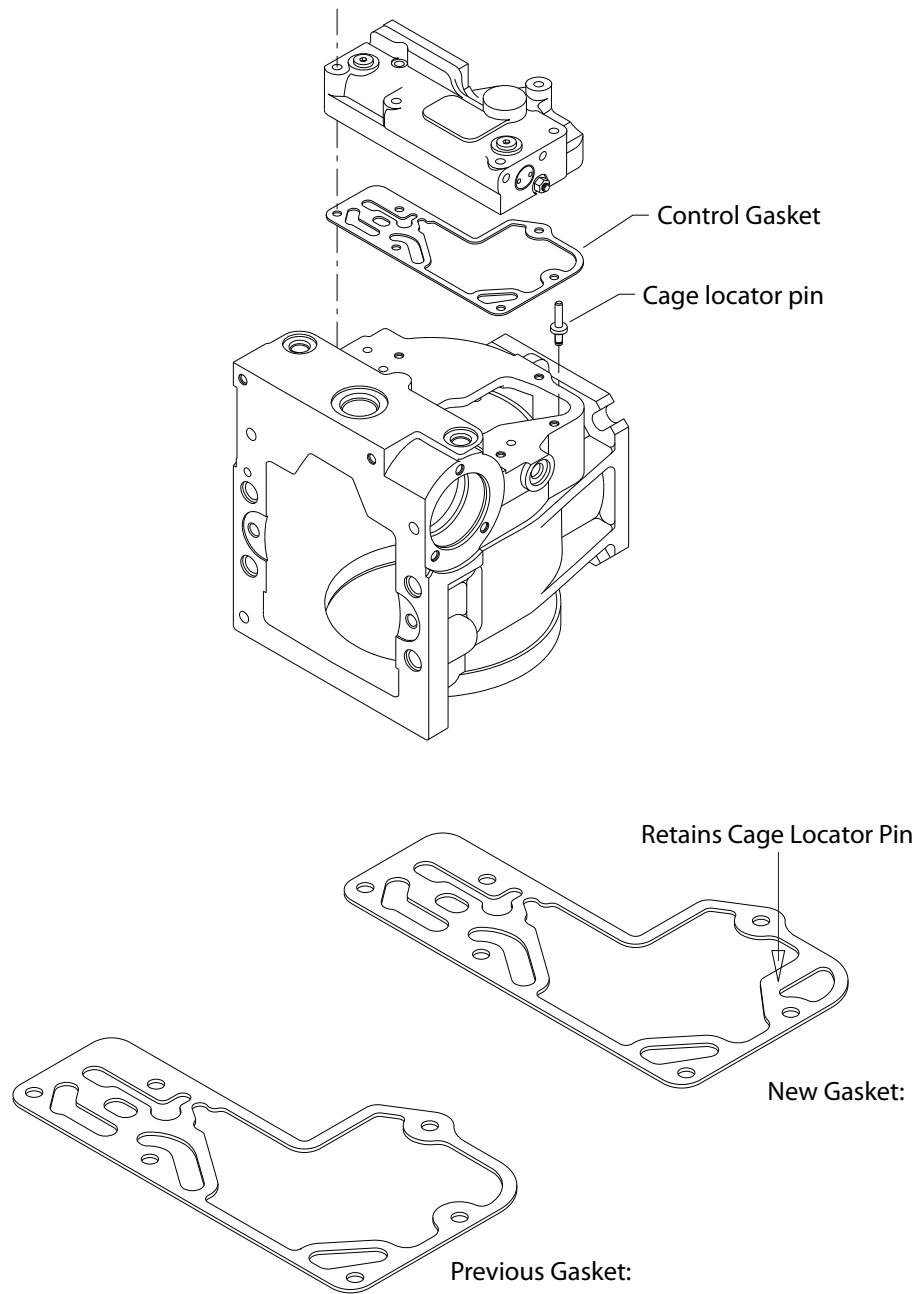
Part numbers affected

Previous gasket	New gasket
511608	8801241

Parts disposition

Interchangeable

SB-1999-065A



SB-2002-040

Products affected

Series 90 250cc variable pumps

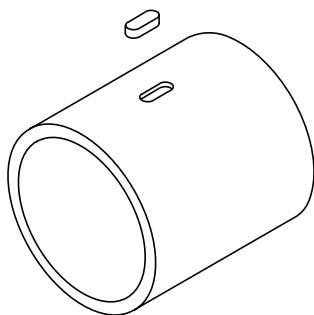
Subject

Charge pump shaft

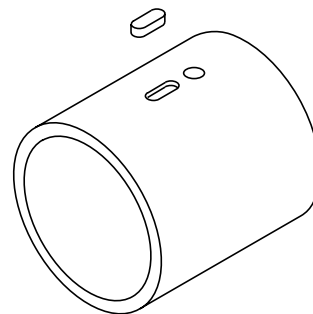
Description

As a product improvement, Sauer-Danfoss has changed the charge pump drive shaft. This change will incorporate two drain holes in the shaft. These drain holes will prevent pressure build up at the end of the pump input shaft. Relieving this pressure reduces the axial load on the shaft and increases the life of the front roller bearing. The old charge pump shaft part number will become obsolete and not available for service. The new shaft is a direct replacement and can be used in older 250cc pumps.

SB-2002-040



Old shaft



New shaft

Models affected

All series 250cc variable pumps

Serial numbers

Change became effective at serial number N-02-41-xxxxx.

Part numbers affected

Old part numbers	New part numbers
513439	11138381

Parts disposition

Interchangeable

SB-2009-074

Products affected

Series 90 42, 130, 180 and 250cc variable pumps

Subject

SAE A auxiliary mounting flange, O-ring seal

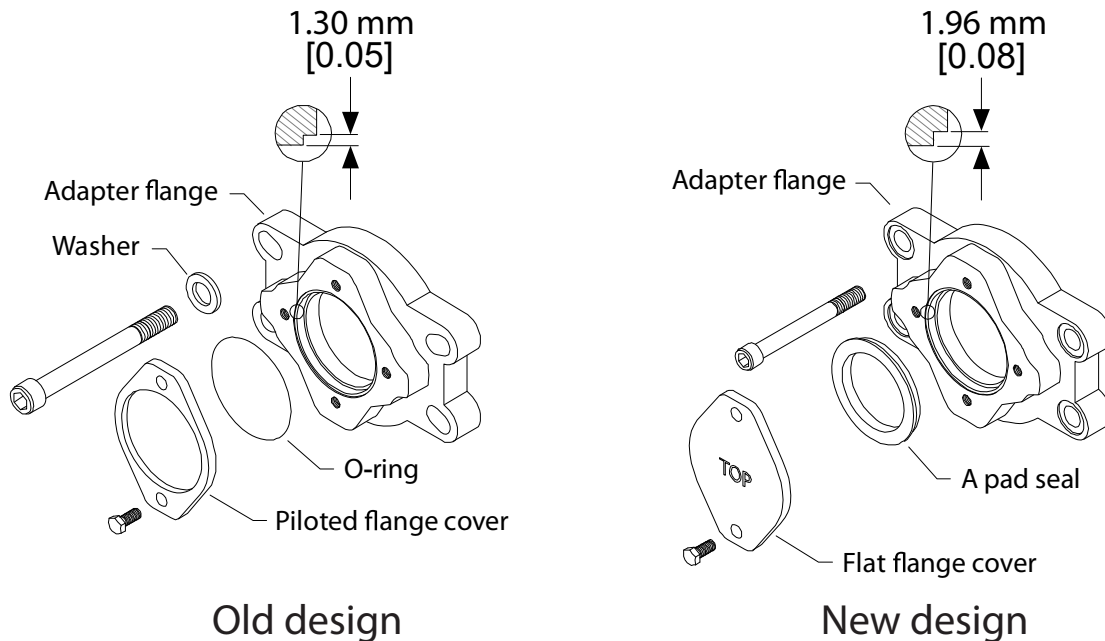
Description

Sauer-Danfoss is pleased to announce a design improvement on the SAE A auxiliary mounting flange adapter on its series 90 pumps. The frame sizes affected by this change are 42, 130, 180 and 250cc. All manufacturing locations producing these pumps will be changed to this configuration.

The improvement comes in the form of a more robust sealing geometry with a larger cross-section O-ring. The O-ring groove in the flange will now be sized to mate with a 2.62mm [0.103"] cross-section O-ring rather than the old 1.78mm [0.070"] cross-section O-ring. The Sauer-Danfoss part number for the new O-ring is 9004104-1520 (2.62mm [0.070"] x 82.22mm [3.237"]). The larger cross-section sealing geometry allows for the use of a donut style A pad seal and a new flat cover for improved assembly. This new configuration is qualified as a running cover. When installing an auxiliary pump, the donut style A pad seal must be discarded and the part number 9004104-1520 O-ring used.

The pumps will now be supplied with the donut style seal and new flat cover, instead of the small O-ring and stepped cover plate (shown in the drawing below).

SB-2009-074



Models affected

All series 90 42, 130, 180 and 250cc pumps with an SAE A auxiliary mounting flange.

Serial numbers

Change became effective at serial number N-09-30-xxxxx. (20 July 2009)

Part numbers affected

Description	Old part number	New part number	Used on
A flange adapter	511040	520944	42cc
A flange adapter	505113	520946	130cc
A flange adapter	505136	520949	180 and 250cc
O-ring	9004104-0420	9004104-1520	all sizes
A pad seal	N/A	4800482	all sizes
Flange cover	9802336	4460586	all sizes

Parts disposition

Interchangeable if new O-ring or if the pad seal and new cover are used.

SB-2009-075

Products affected

Series 90 42, 130, 180 and 250cc variable pumps

Subject

SAE B auxiliary mounting flange, O-ring seal

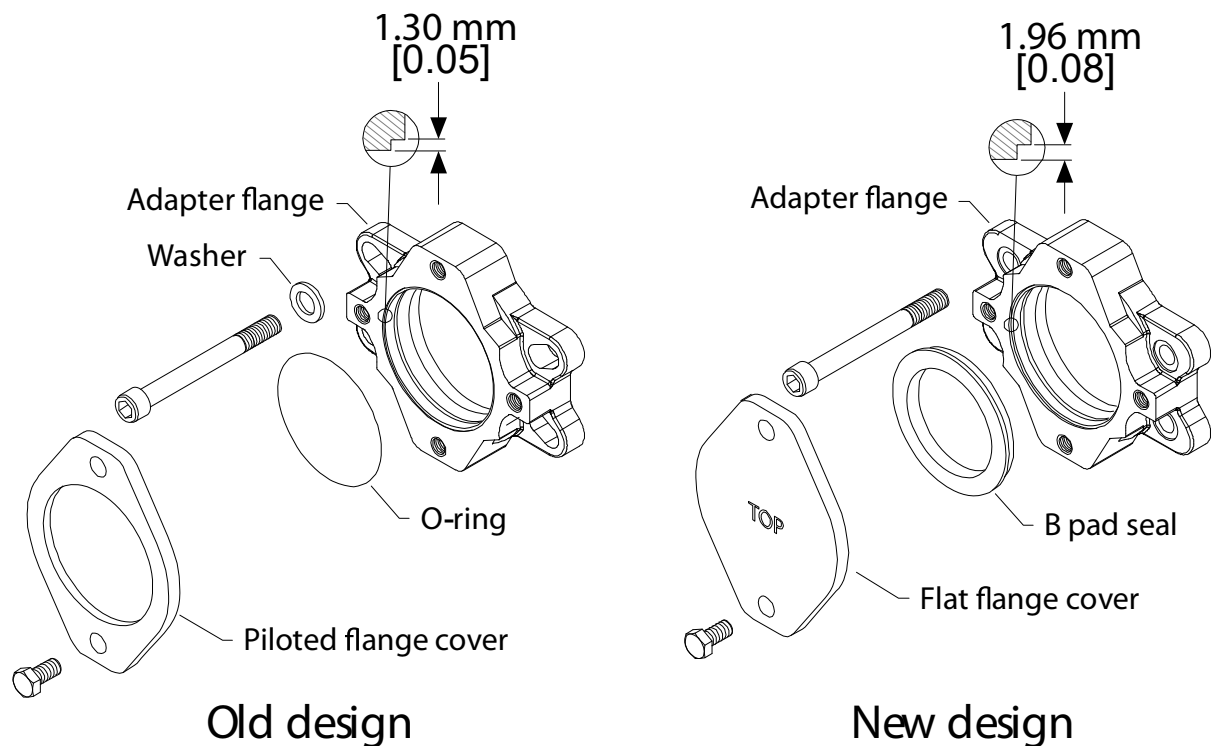
Description

Sauer-Danfoss is pleased to announce a design improvement on the SAE B auxiliary mounting flange adapter on its series 90 pumps. The frame sizes affected by this change are 42, 130, 180 and 250cc. All manufacturing locations producing these pumps will be changed to this configuration.

The improvement comes in the form of a more robust sealing geometry with a larger cross-section O-ring. The O-ring groove in the flange will now be sized to mate with a 2.62mm [0.103"] cross-section O-ring rather than the old 1.78mm [0.070"] cross-section O-ring. The Sauer-Danfoss part number for the new O-ring is 9004104-1540 (2.62mm [0.070"] x 94.92mm [3.737"]). The larger cross-section sealing geometry allows for the use of a donut style B pad seal and a new flat cover for improved assembly. This new configuration is qualified as a running cover. When installing an auxiliary pump, the donut style B pad seal must be discarded and the part number 9004104-1540 O-ring used.

The pumps will now be supplied with the donut style seal and new flat cover, instead of the small O-ring and stepped cover plate (shown in the drawing below).

SB-2009-075

**Models affected**

All series 90 42, 130, 180 and 250cc pumps with an SAE B auxiliary mounting flange.

Serial numbers

Change became effective at serial number N-09-30-xxxxx. (20 July 2009)

Part numbers affected

Description	Old part number	New part number	Used on
B flange adapter	506778	520945	42cc
B flange adapter	503230	520947	130cc
B flange adapter	11000255	11039180	130cc
B flange adapter	505132	520950	180 and 250cc
O-ring	9004104-0450	9004104-1540	all sizes
B pad seal	N/A	8801061	all sizes
Flange cover	4460370	8801059	all sizes

Parts disposition

Interchangeable if new O-ring or if the pad seal and new cover are used.

SB-2009-076

Products affected

Series 90 130, 180 and 250cc variable pumps

Subject

SAE C auxiliary mounting flange, O-ring seal

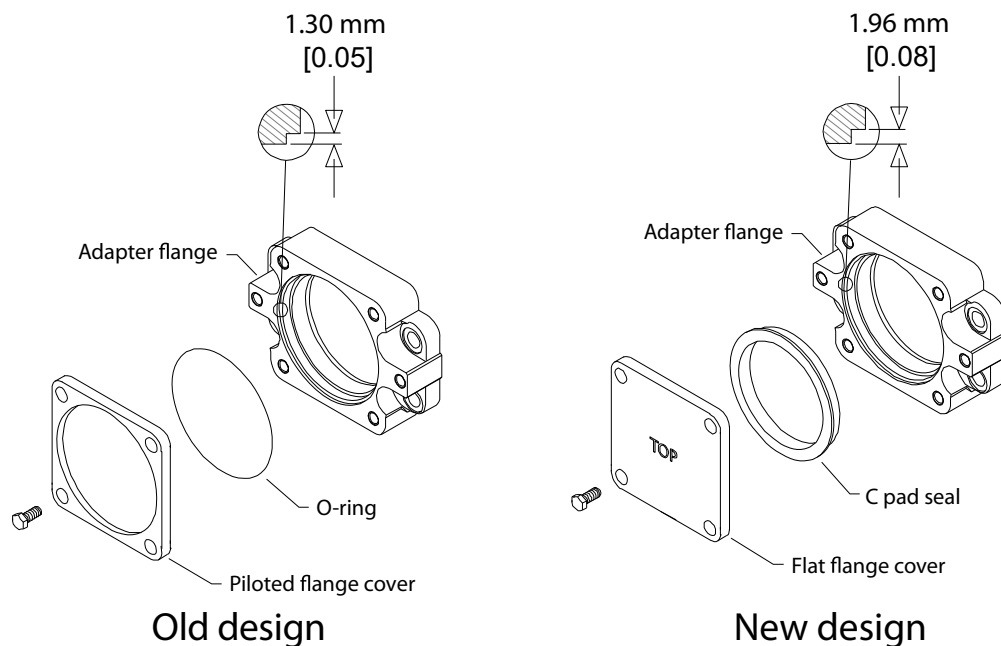
Part numbers affected

Sauer-Danfoss is pleased to announce a design improvement on the SAE C auxiliary mounting flange adapter on its series 90 pumps. The frame sizes affected by this change are 130, 180 and 250cc. All manufacturing locations producing these pumps will be changed to this configuration.

The improvement comes in the form of a more robust sealing geometry with a larger cross-section O-ring. The O-ring groove in the flange will now be sized to mate with a 2.62mm [0.103"] cross-section O-ring rather than the old 1.78mm [0.070"] cross-section O-ring. The Sauer-Danfoss part number for the new O-ring is 9004104-1580 (2.62mm [0.070"] x 120.32mm [4.737"]). The larger cross-section sealing geometry allows for the use of a donut style C pad seal and a new flat cover for improved assembly. This new configuration is qualified as a running cover. When installing an auxiliary pump, the donut style C pad seal must be discarded and the part number 9004104-1580 O-ring used.

The pumps will now be supplied with the donut style seal and new flat cover, instead of the small O-ring and stepped cover plate (shown in the drawing below).

SB-2009-076

**Models affected**

All series 90 130, 180 and 250cc pumps with an SAE C auxiliary mounting flange.

Serial numbers

Change became effective at serial number N-09-30-xxxx. (20 July 2009)

Part numbers affected

Description	Old part number	New part number	Used on
C Flange adapter	505116	513617	130 cc
C Flange adapter	508407	11039184	130 cc
C Flange adapter	515116	513617	130 cc
C Flange adapter	505139	520951	180cc and 250cc
C Flange adapter	508406	11039178	180cc and 250cc
O-ring	9004100-0480	9004104-1580	All units
C pad seal	NA	8801062	All units
Flange cover	8800406	8801060	All units

Parts disposition

Interchangeable if new O-ring or if the pad seal and new cover are used.

SB-2011-032

Products affected

Series 90 180cc variable pumps

Subject

Pump redesign

Description

As a global improvement, the series 90 180/250cc pumps have redesigned the following components: servo arm, servo arm screw, swashplate guide and pump housing. This is a non-interchangeable change. Model numbers and order codes will not be changed.

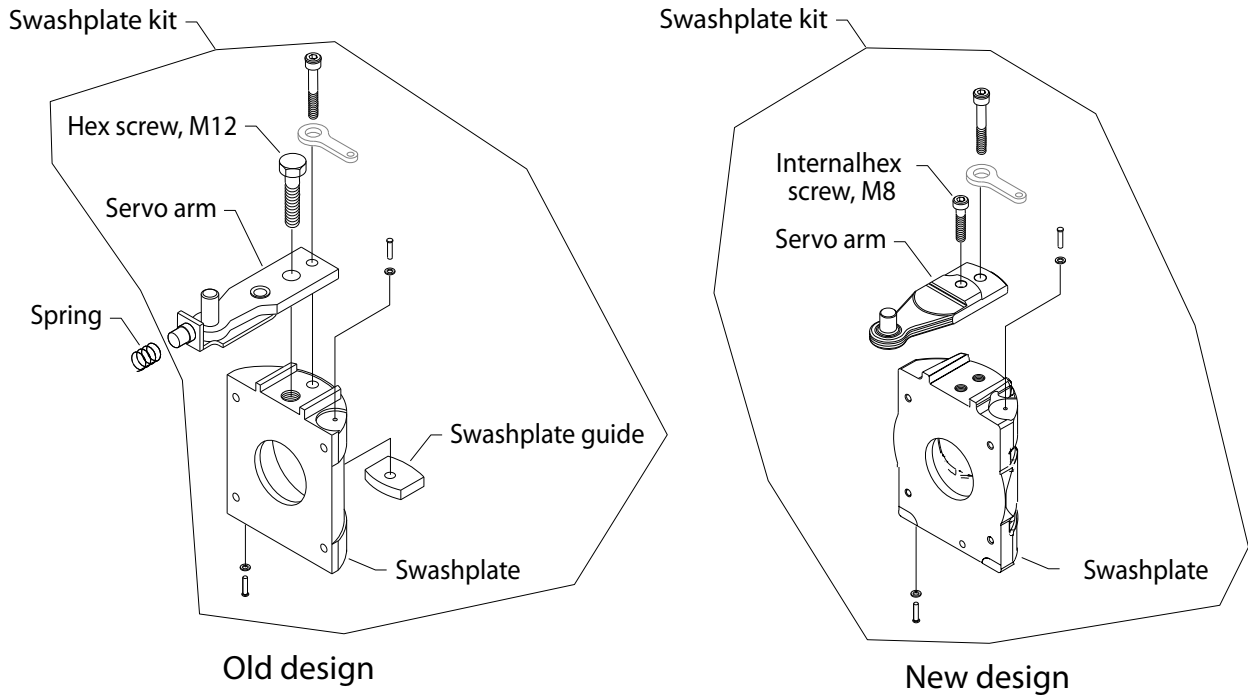
A "one piece" servo arm is introduced. The pin that engages the servo piston is now machined as part of the servo arm instead of pressed in. The old servo arm will remain available as a service part for a period of time.

One of the two screws that hold the servo arm to the swashplate has changed from a M12 external hex to a M8 internal hex screw. The old screw will remain available as a service part for a period of time.

The swashplate position is now guided by the fit between the servo arm and the pump housing. A "shelf" on the servo arm fits under a boss in the housing to provide a fixed clearance. The swashplate was previously held down with a spring and bracket, which was riveted to the servo arm. The servo arm to housing clearance now limits lateral movement of the swashplate. The swashplate guide that was bolted to the bottom of the swashplate has been removed. The old swashplate guide will remain available as a service part for a period of time.

The housing is modified internally to provide the servo arm pivot. The old housing will remain available as a service part for a period of time.

SB-2011-032



Models affected

Series 90, 180cc and 250cc pumps.

Serial numbers

This change became effective at serial number A-11-40-xxxxx. (3 Oct 2011)

Part numbers affected

Description	Old part number	New part number
Housing 180cc assy without PPU	789438	11097202
Housing 180cc assy with PPU	519646	11097202
Swashplate 180cc	521426	11094403
Swashplate kit, 180cc	11107093	11097626
Housing 250cc with PPU assy	515967	11088644
Swashplate 250cc	521428	11088847
Swashplate kit, 250cc	11107094	11097784
Servo arm 180/250cc	746339	11061195
Screw, servo arm	746362	519150
Swashplate guide, 180/250cc	745703	not used
Spring	746396	not used

Parts disposition

Non-interchangeable

SB-2012-039

Products affected

Series 90 180 and 250cc pumps

Subject

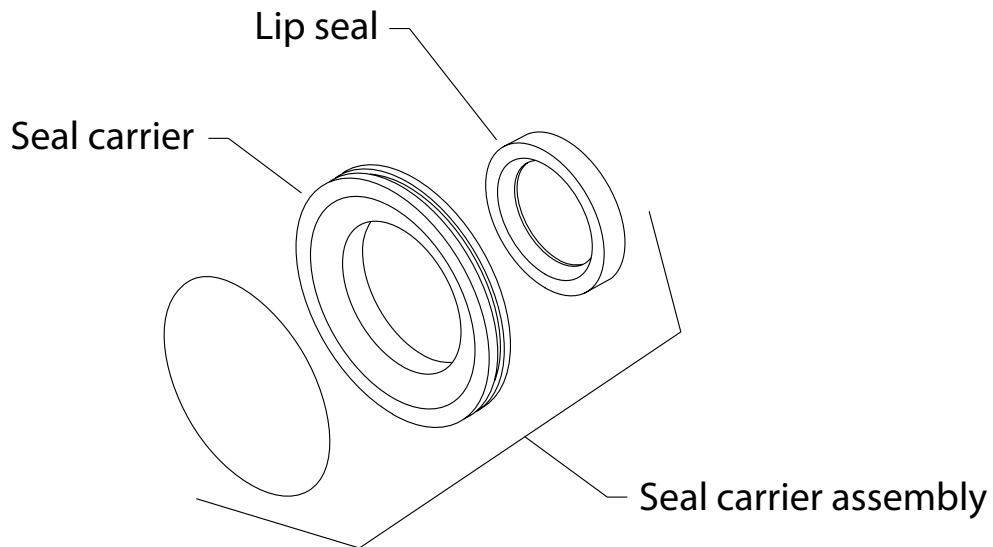
Shaft seal change

Description

A supplier change for the shaft seal used in Series 90 180 and 250cc pumps has been made as part of globalization of the entire Sauer-Danfoss product line. The new lip seal has a smaller O.D., and the I.D. of the seal carrier changed accordingly. The old lip seal and seal carrier will become obsolete and not available for service.

The seal carrier assembly part number has changed to better track this change. The new seal carrier assembly is interchangeable, but the piece parts are not.

SB-2012-039



Models affected

Series 90 180 and 250cc pumps

Serial numbers

This change became effective at serial number N-12-17-XXXXX (25-Apr-2012)

Part numbers affected

Description	Old part number	New part number
Seal carrier assembly	512637	11053971
Lip seal	9008000-0114	519021

Parts disposition

Non-interchangeable

Order replacement parts

Revise existing part orders

SB-2015-038

Products affected

Series 90 130, 180 and 250cc pumps

Subject

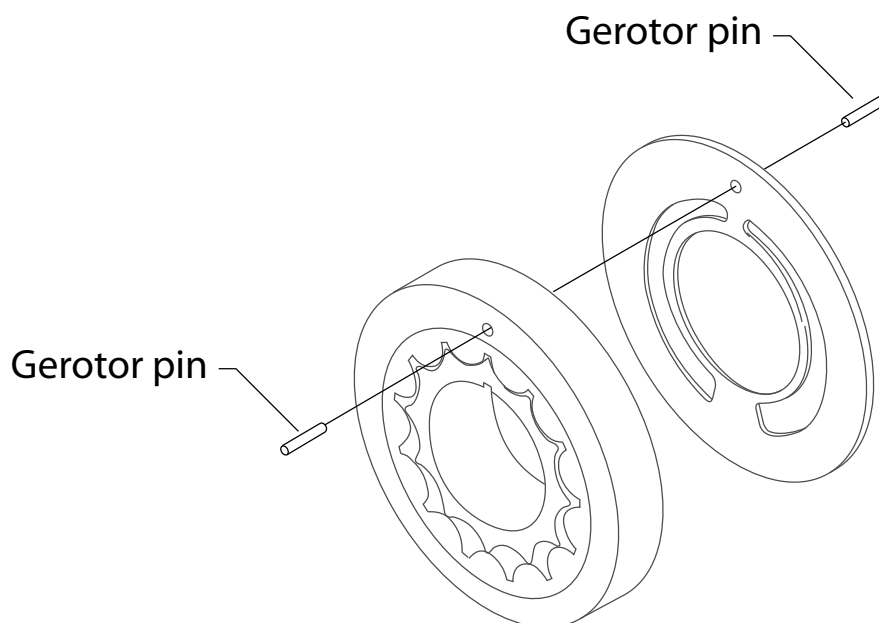
Gerotor pin change

Description

As an assembly aid, some of the charge pump gerotor pins used in 130, 180 and 250cc pumps are being changed from one to two pins. This change is being made to reduce the chance of mis-locating the pin in the end cap or gerotor cover during the assembly process.

There will be three new lengths of pins used in these pumps. The new pin lengths will be 16, 20 and 26mm. To aid in the identification of the new pins, the 20mm pins will be yellow/gold in color.

SB-2015-038



Models affected

Series 90, 130, 180 and 250cc pumps

Serial numbers

Frame size	NMS effectivity date
130 cc	N-15-14-xxxxx
180 cc	N-15-04-xxxxx
250 cc	N-15-02-xxxxx

Part numbers affected

Frame size	Old pin (1)		New pin (2)	
	Length	Part number	Length	Part number
130 cc	32mm	308718	16mm	11152774
180 cc	40mm	750133	20mm	11152775
250 cc	55mm	504507	26mm	11152778

Parts disposition

Interchangeable

Use parts in stock

SB-HY2026-004

Products affected

Series 90 Pumps and EDC Control Kits utilizing ATEX PCP (11101116)

Subject

New PCP material number

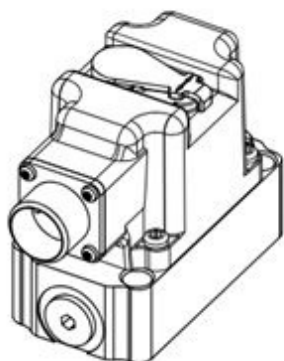
Description

In reference to Product Information Bulletin HY2025-859 (December 2025), Danfoss Power Solutions will no longer be offering Series 90 pumps with the ATEX certification for dust, and elevated temperature. With this change, the PCP material number 11101116 meeting this ATEX certification criteria will be obsolete.

Danfoss Power Solutions will offer a PCP (11375138) which only meets the ATEX certification for gas. Appearance of the label will change to reflect new material number and certification. Current material numbers for Series 90 Pumps and Service Control Kits (listed on the following page) utilizing the obsolete PCP (11101116) will NOT change, but utilize the new PCP (11375138). Also, the nomenclature for Series 90 pumps using the “K7” control will NOT change.

Along with this part change, the “Series 90 Intrinsically Safe Control Installation, Maintenance Instruction Bulletin” (AN152886481060) has also been updated. Please discard any older digital or paper copies.

SB-HY2026-004



Models affected

Material #	Material Description	Material #	Material Description
83029627	PUMP-VAR-DISPL CW 90PV075	83053925	PUMP-VAR-DISPL CW 90PV100
83029756	PUMP-VAR-DISPL CW 90PV075	83058325	PUMP-VAR-DISPL CW 90PV075
83029888	PUMP-VAR-DISPL CW 90PV100	83058327	PUMP-VAR-DISPL CW 90PV100
83029889	PUMP-VAR-DISPL CW 90PV130	83059328	PUMP-VAR-DISPL CCW 90PV250
83033222	PUMP-VAR-DISPL CW 90PV130	83060330	PUMP-VAR-DISPL CW 90PV075
83033223	PUMP-VAR-DISPL CCW 90PV130	83061446	PUMP-VAR-DISPL CW 90PV075
83033303	PUMP-VAR DISPL, CW 90PV075	83061488	PUMP-VAR-DISPL CW 90PV100
83033307	PUMP-VAR DISPL, CW 90PV075	83061586	PUMP-VAR-DISPL CW 90PV075
83033309	PUMP-VAR DISPL, CW 90PV075	83061587	PUMP-VAR-DISPL CW 90PV075
83033313	PUMP-VAR DISPL, CCW 90PV100	83063297	PUMP-VAR-DISPL CW 90PV100
83033315	PUMP-VAR DISPL, CW 90PV100	83066652	PUMP-VAR-DISPL CW 90PV075
83033317	PUMP-VAR DISPL, CW 90PV100	83068557	PUMP-VAR DISPL, CCW 90PV055
83033318	PUMP-VAR DISPL, CW 90PV100	83072592	PUMP-VAR-DISPL CW 90PV075
83033378	PUMP-VAR-DISPL CW 90PV130	83072894	PUMP-VAR-DISPL CW 90PV075

Material #	Material Description	Material #	Material Description
83035448	PUMP-VAR-DISPL CW 90PV250	83076279	PUMP-VAR-DISPL CW 90PV100
83038064	PUMP-VAR-DISPL CW 90PV100	83076983	PUMP-VAR-DISPL CW 90PV250
83038896	PUMP-VAR-DISPL CW 90PV100	83077290	PUMP-VAR-DISPL CW 90PV075
83040069	PUMP-VAR-DISPL CW 90PV100	83078329	PUMP-VAR DISPL, CW 90PV075
83040210	PUMP-VAR-DISPL CW 90PV100	83081034	PUMP-VAR-DISPL CW 90PV100
83040932	PUMP-VAR-DISPL CW 90PV130	83082478	PUMP-VAR DISPL, CCW 90PV055
83041065	PUMP-VAR-DISPL CW 90PV130	83082709	PUMP-VAR-DISPL CW 90PV100
83043143	PUMP-VAR DISPL, CW 90PV055	83083301	PUMP-VAR-DISPL CW 90PV075
83044451	PUMP-VAR-DISPL CW 90PV250	83083353	PUMP-VAR-DISPL CW 90PV130
83044613	PUMP-VAR-DISPL CW 90PV075	83085369	PUMP-VAR DISPL, CW 90PV100
83045053	PUMP-VAR-DISPL CCW 90PV075	83085887	PUMP-VAR-DISPL CW 90PV075
83045066	PUMP-VAR DISPL, CCW 90PV075	83087015	PUMP-VAR-DISPL CW 90PV130
83046130	PUMP-VAR DISPL, CW 90PV055	83091824	PUMP-VAR-DISPL CW 90PV075
83048102	PUMP-VAR-DISPL CW 90PV250	83093542	PUMP-VAR-DISPL CW 90PV075
83048814	PUMP-VAR-DISPL CW 90PV250	83094033	PUMP-VAR DISPL, CW 90PV075
83048815	PUMP-VAR-DISPL CW 90PV130	83102057	PUMP-VAR-DISPL CW 90PV075
83053202	PUMP-VAR-DISPL CW 90PV180		

Serial numbers

Pumps and Service Kits sold after 23 March 2026.

Part numbers affected

Description	Old part number	New part number
PCP, 106 OHM, SF 5.5, MS, IS ATEX	11101116	-
PCP, 106 OHM, SF 5.5, MS, IS ATEX	-	11375138
PCP KIT, ATEX, MS, 106 OHM, SF5.5	11139981	11139981
EDC KIT, 55CC, MS, 4-20MA, ATEX, 106 OHM	11139992	11139992
EDC KIT, 75CC, MS, 4-20MA, ATEX, 106 OHM	11139993	11139993
EDC KIT, 100CC, MS, 4-20MA, ATEX, 106 OHM	11139994	11139994
EDC KIT, 130CC, MS, 4-20MA, ATEX, 106 OHM	11139996	11139996
EDC KIT, 180-250CC, MS, 4-20MA, ATEX, 106 OHM	11139997	11139997

Parts disposition

Non-Interchangeable in application environments requiring dust and elevated temperature requirements.

Interchangeable for gas environments.

Revise existing part orders

Engineering Change Number (internal use only): CN0076266



Hydro-Gear

www.hydro-gear.com

Daikin-Sauer-Danfoss

www.daikin-sauer-danfoss.com

Explore our solutions at danfoss.com.

Additional product literature is available at powersource.danfoss.com.

**Danfoss
Power Solutions (US) Company**
2800 East 13th Street
Ames, IA 50010, USA
Phone: +1 515 239 6000

**Danfoss
Power Solutions GmbH & Co. OHG**
Krokamp 35
D-24539 Neumünster, Germany
Phone: +49 4321 871 0

**Danfoss
Power Solutions ApS**
Nordborgvej 81
DK-6430 Nordborg, Denmark
Phone: +45 7488 2222

**Danfoss
Power Solutions Trading
(Shanghai) Co., Ltd.**
Building #22, No. 1000 Jin Hai Rd
Jin Qiao, Pudong New District
Shanghai, China 201206
Phone: +86 21 2080 6201

Danfoss can accept no responsibility for possible errors in catalogues, brochures and other printed material. Danfoss reserves the right to alter its products without notice. This also applies to products already on order provided that such alterations can be made without subsequent changes being necessary in specifications already agreed. All trademarks in this material are property of the respective companies. Danfoss and the Danfoss logotype are trademarks of Danfoss A/S. All rights reserved.
