

Installation guide

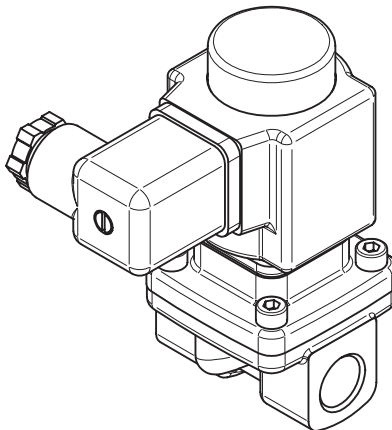
Solenoid valve

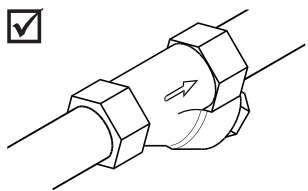
Type EV250BW

132R9003

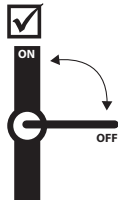
132R9003

A






≥ 297 Microns

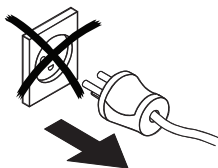


ON

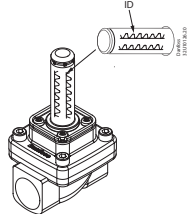
OFF



1

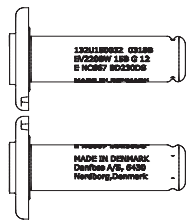


2



ID

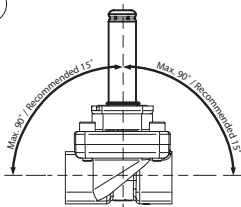
3



132R118822 02L09
EV250BW 110 G 12
IS POWER SOURCE
MADE IN DENMARK

132R118822 02L09
EV250BW 110 G 12
IS POWER SOURCE
MADE IN DENMARK
Danfoss A/S, 6430
Hørsholm, Denmark

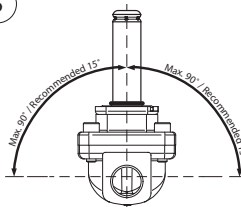
4



Max. 90° / Recommended 15°

Max. 90° / Recommended 15°

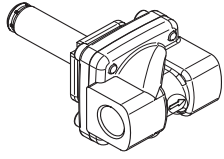
5



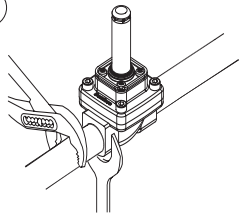
Max. 90° / Recommended 15°

Max. 90° / Recommended 15°

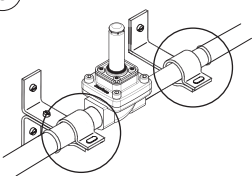
6



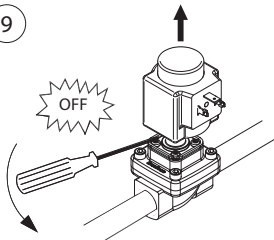
7



8

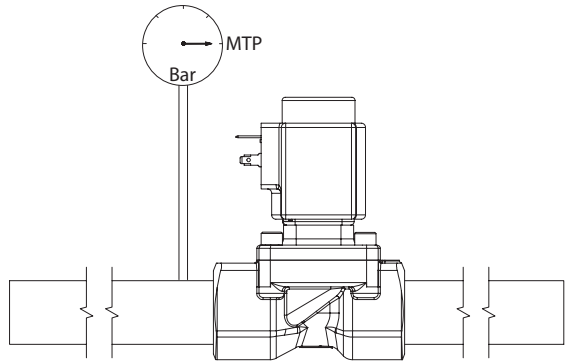
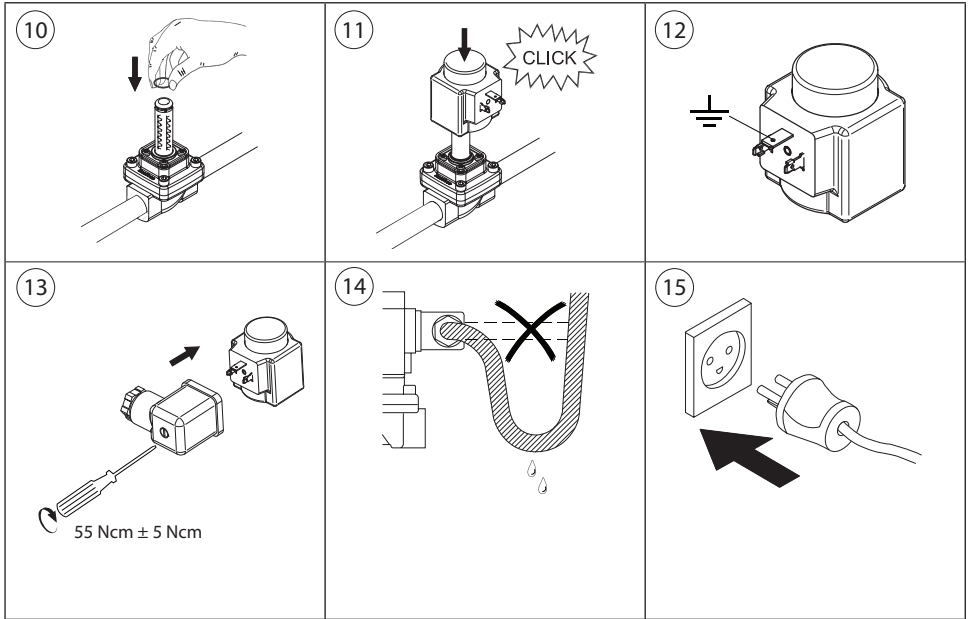


9



OFF

Info for UK customers only: Danfoss Ltd., 22 Wycombe End, HP9 1NB, GB



| Drinking water approval | | | |
|---|----------------------|----------|-----------------|
| | | Valid in | Certificate no. |
| | 356 Inspected by DTI | DK, SE | SCO155-18 *) |
| EV250BW 10 - 22 BE | | | |
| *) http://publiccert.extweb.sp.se/sv/Product/List/ Wetted parts in accordance with DVGW, 4MS, KTW and W270 | | | |

| DN | Max. Working Pressure (MWP) | Max. Test pressure (MTP) |
|--------------|-----------------------------|--------------------------|
| | [bar] | [bar] |
| 10 - 22 | 10 | 15 |
| EN 60730-2-8 | | |

Visit www.products.danfoss.com for further technical data
 Para más información, visite www.products.danfoss.es
 Rendez-vous sur le site www.products.danfoss.fr pour plus de données techniques