

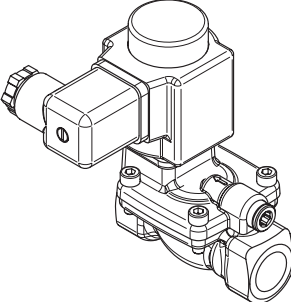
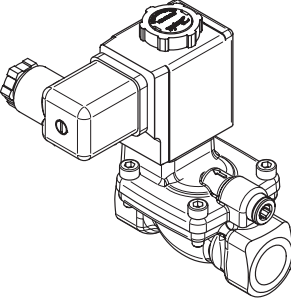
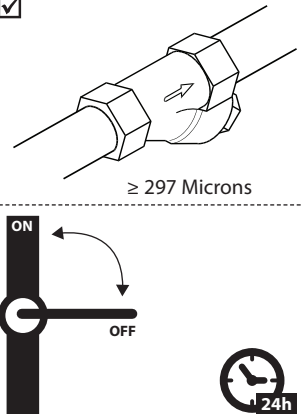
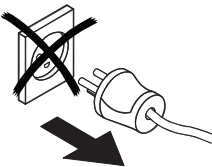
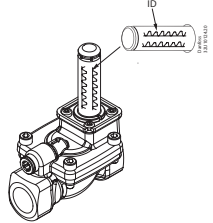
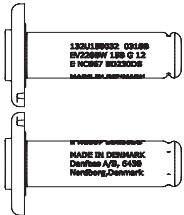
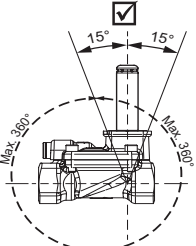
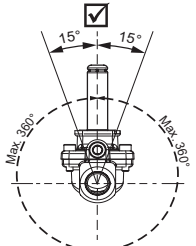
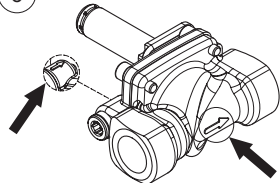
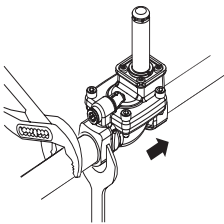
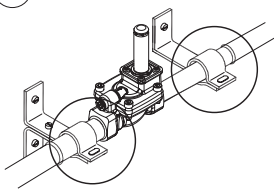
Installation guide

## Solenoid valve

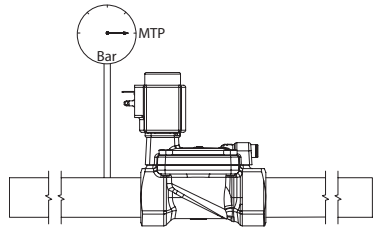
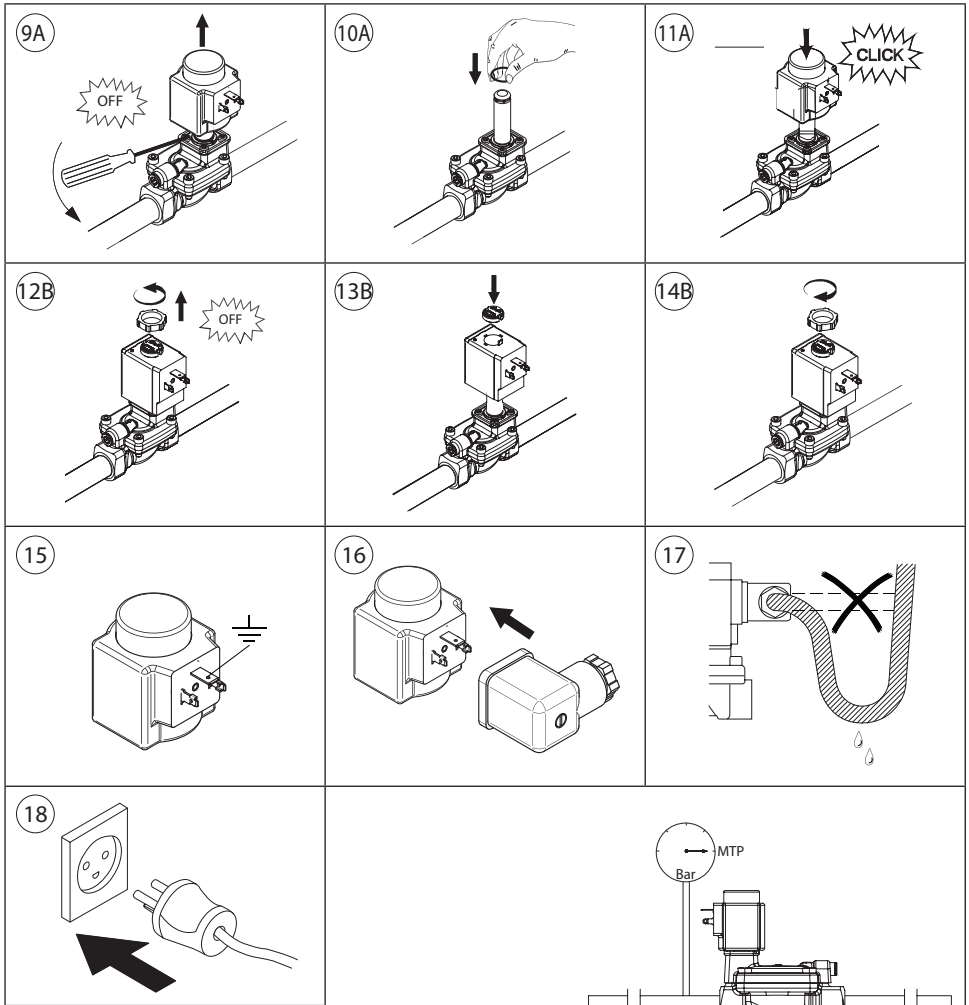
Type EV220BW 15-50

132R9000

132R9000

<p><b>A</b></p> 	<p><b>B</b></p> 	<p><input checked="" type="checkbox"/></p>  <p>≥ 297 Microns</p> <p>ON</p> <p>OFF</p> <p>24h</p>
<p><b>1</b></p> 	<p><b>2</b></p> 	<p><b>3</b></p> 
<p><b>4</b></p> 	<p><b>5</b></p> 	<p><b>6</b></p> 
<p><b>7</b></p> 	<p><b>8</b></p> 	

Info for UK customers only: Danfoss Ltd., 22 Wycombe End, HP9 1NB, GB



Drinking water approval			
		Valid in	Certificate no.
EV220BW 15-25BE	DK, SE	SCO155-18 *)	
EV220BW 15-50SS			
*) <a href="http://publiccert.extweb.sp.se/sv/Product/List/">http://publiccert.extweb.sp.se/sv/Product/List/</a> Wetted parts in accordance with DVGW, 4MS, KTW and W270			

DN	Max. Working Pressure (MWP)	Max. Test pressure (PT)
	[bar]	[bar]
15 - 20	10	25
25 - 50	10	25
EN 60730-2-8		

Besök [www.danfoss.se](http://www.danfoss.se) för mer tekniska data. Besøg [www.danfoss.dk](http://www.danfoss.dk) for flere tekniske data.  
 Rendez-vous sur le site [www.products.danfoss.fr](http://www.products.danfoss.fr) pour plus de données techniques.  
 Visit [www.products.danfoss.com](http://www.products.danfoss.com) for further technical data. Para más información, visite [www.products.danfoss.es](http://www.products.danfoss.es)