

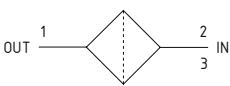
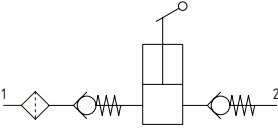
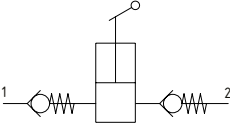

AC

# Accessories

*Danfoss*

## Accessories

### Quick Reference

Filter	Model No.	Cavity	Description	Flow*	Pressure	Page
	<a href="#">CPF20</a>	<b>SDC20-3</b>	Cavity Filter	114 l/min 30 US gpm	210 bar [3000 psi]	<b>3</b>
<b>Hand Pump</b>	<b>Model No.</b>	<b>Cavity</b>	<b>Description</b>	<b>Flow*</b>	<b>Pressure</b>	<b>Page</b>
	<a href="#">CP600-5</a>	<b>SDC10-2</b>	Hand Pump	1.2 ml/stroke	210 bar [3000 psi]	<b>4</b>
	<a href="#">1HP7</a>	<b>SDC10-2</b>	Hand Pump	1.3 ml/stroke	50 bar [750 psi]	<b>5</b>
<b>Hand Pump</b>	<b>Model No.</b>	<b>Cavity</b>	<b>Description</b>	<b>Flow*</b>	<b>Pressure</b>	<b>Page</b>
	<a href="#">1HP10</a>	<b>SDC10-2</b>	Hand Pump	1.9 ml/stroke	250 bar [3600 psi]	<b>6</b>
<b>Hand Pump</b>	<b>Model No.</b>	<b>Cavity</b>	<b>Description</b>	<b>Flow*</b>	<b>Pressure</b>	<b>Page</b>
	<a href="#">CP602-5</a>	<b>SDC16-2</b>	Hand Pump	9.2 ml/stroke	210 bar [3000 psi]	<b>7</b>
	<a href="#">CP602-5</a>		Handle Kit			<b>8</b>
<b>Miscellaneous</b>	<b>Model No.</b>					<b>Page</b>
	<a href="#">Pilot Pistons</a>					<b>9</b>
	<a href="#">Cavity Plugs</a>					<b>12</b>
	<a href="#">NCS Seal Kits</a>					<b>15</b>
	<a href="#">Orifice Plugs</a>					<b>16</b>
	<a href="#">Orifice Disks</a>					<b>18</b>
	<a href="#">Sensing Check and Panel Mount Adapter</a>					<b>19</b>
	<a href="#">Adjustment Kits</a>					<b>20</b>

\*Flow ratings are for reference only. Refer to individual product page for performance information.

## Accessories

### CPF20

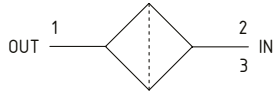
Cavity Filter

210 bar [3000 psi] • 114 l/min [30 US gpm]

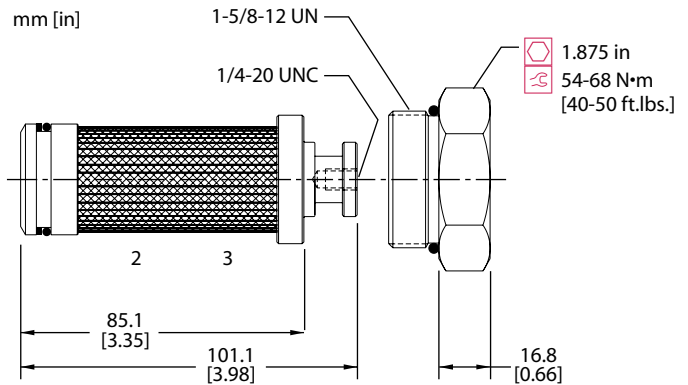
#### DESCRIPTION AND OPERATION

This is a filter that fits into a standard cartridge cavity (SDC20-3). Not recommended as a substitute for hydraulic system filters.

#### SCHEMATIC



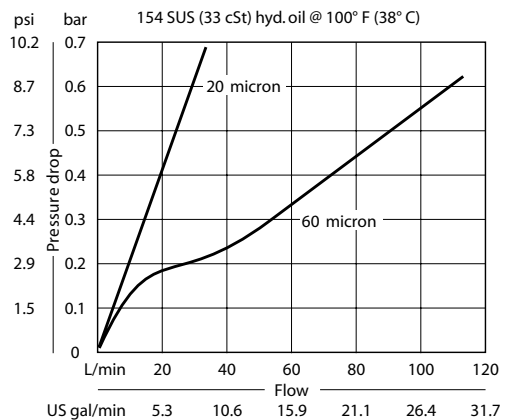
#### DIMENSIONS



#### PERFORMANCE DATA

<b>Rated pressure</b>	<b>210 bar [3000 psi]</b>
<b>Rated flow</b>	<b>20 micron: 38 l/min [10 US gpm]</b> <b>60 micron: 114 l/min [30 US gpm]</b>
<b>Weight</b>	<b>0.47 kg [1.04 lbs]</b>
<b>Cavity</b>	<b>SDC20-3</b>

#### PERFORMANCE CURVES



#### MODEL CODE

**CPF20 - 3 - B - 12S - P - 020**

##### Seal Option

Code	Seal kit
<b>B</b> -Buna - N	120608
<b>V</b> -Viton	120609

##### Housing

Code	Ports & Material	Housing Model Code
<b>0</b>	No Housing	
<b>6B</b>	AL, 3/4 BSP	CP20-3-6B
<b>8B</b>	AL, 1 BSP	CP20-3-8B
<b>12S</b>	AL, #12 SAE	CP20-3-12S
<b>16S</b>	AL, #16 SAE	CP20-3-16S

\* Aluminum bodies are to be used for pressures less than 210 bar [3000 psi].

\* Additional housings available

##### Filter Mesh

**10** -10 micron  
**20** -20 micron  
**60** -60 micron

##### Plug Option

**P** - Filter w/#20 SAE hex plug  
**Omit** - Filter only

## Accessories

### CP600-5

Hand Pump

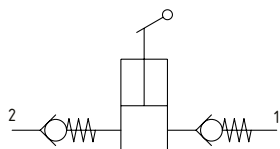
207 bar [3000 psi] • 1.2 ml/stroke

#### DESCRIPTION AND OPERATION

This is a manually operated, unidirectional hand pump. Activating the valve will force oil out through a check valve and into the system. Retracting the valve will draw oil into the chamber through a second check valve. This hand pump has been designed to be used on machines which require emergency release of brakes or for pilot supply for emergency lowering of access platforms. It can also be utilized in lubrication circuits.

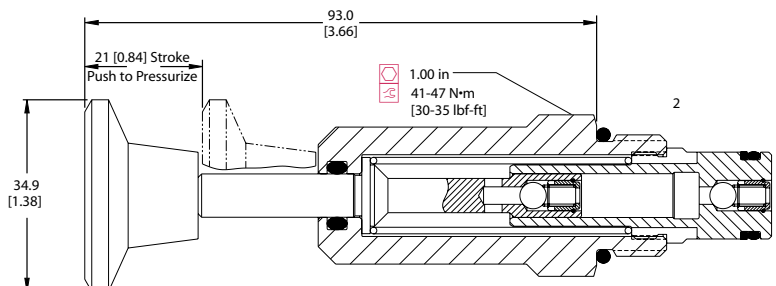
For smooth operation, inlet lines should not be excessively long, and the vertical distance between pump and tank level no more than 300 mm (12 inch).

#### SCHEMATIC



#### DIMENSIONS

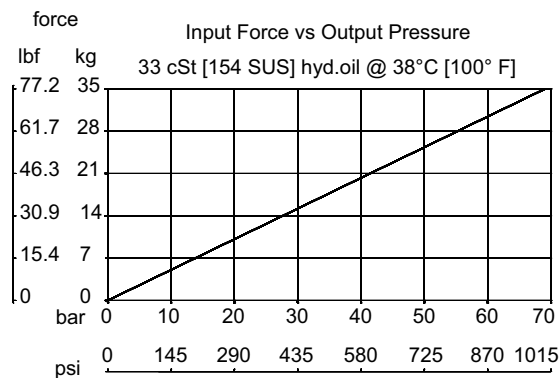
mm [in]



#### PERFORMANCE DATA

Rated pressure	207 bar [3000 psi]
Displacement	1.2 ml/stroke only
Leakage	6 drops/min @ Rated pressure
Pump force	34N [7.7 lbf]
Weight	0.24 kg [0.52 lbs]
Cavity	SDC10-2

#### PERFORMANCE CURVES



#### MODEL CODE

CP600 - 5 - B - 6S

##### Seal Option

Code	Seal kit
B-Buna - N	120015
V-Viton	120016

##### Housing

Code	Ports & Material	Housing Model Code
0	No Housing	
6S	AL, #6 SAE	CP10-2-6S
8S	AL, #8 SAE	CP10-2-8S
DG3B	AL, 3/8 BSP	SDC10-2-DG-3B
DG4B	AL, 1/2 BSP	SDC10-2-DG-4B

\* Aluminum bodies are to be used for pressures less than 210 bar [3000 psi].

\* Additional housings available

## Accessories

### 1HP7

Hand Pump

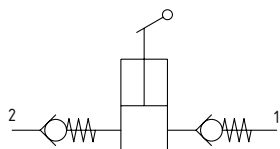
50 bar [750 psi] • 1.3 ml/stroke

#### DESCRIPTION AND OPERATION

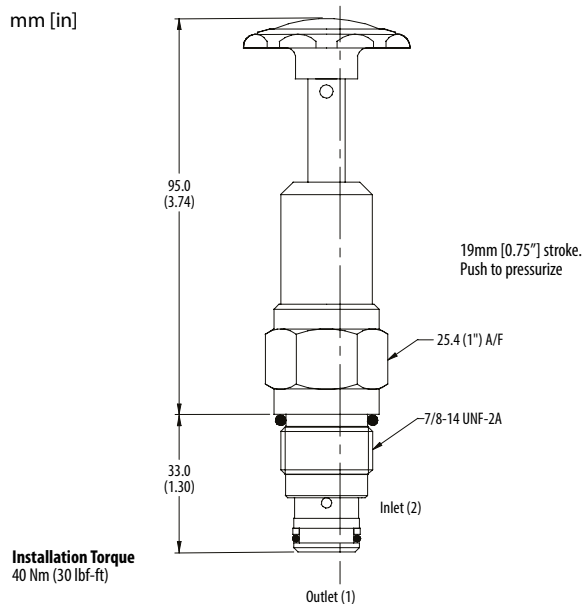
This is a manually operated, unidirectional hand pump. Activating the valve will force oil out through a check valve and into the system. Retracting the valve will draw oil into the chamber through a second check valve. This hand pump has been designed to be used on machines which require emergency release of brakes or for pilot supply for emergency lowering of access platforms. It can also be utilized in lubrication circuits.

For smooth operation, inlet lines should not be excessively long, and the vertical distance between pump and tank level no more than 300 mm (12 inch).

#### SCHEMATIC



#### DIMENSIONS



#### PERFORMANCE DATA

Rated pressure	50 bar [750 psi]
Displacement	1.3 ml/stroke
Leakage	5 drops/min @ Rated pressure
Weight	0.16 kg [0.35 lbs]
Cavity	SDC10-2

#### MODEL CODE

**1HP7 - 3W - S**

##### Basic Code

1HP7 - No housing  
1HP75 - Cartridge and body

##### Housing

Code	Port Size	Aluminum
Omit	No Housing	
3W	3/8 BSP	B19053
8T	#1/2 SAE	B19402

\* Aluminum bodies are to be used for pressures less than 210 bar [3000 psi].

\* Additional housings available

##### Seal Option

Code	Seal kit
S-Nitrile	SK1224
SV-Viton	SK1224V

## Accessories

### 1HP10

Hand Pump

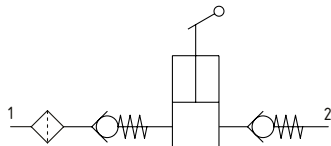
250 bar [3600 psi] generated • 1.9 ml/stroke

#### DESCRIPTION AND OPERATION

This is a manually operated, unidirectional hand pump. Activating the valve will force oil out through a check valve and into the system. Retracting the valve will draw oil into the chamber through a second check valve. This hand pump has been designed to be used on machines which require emergency release of brakes or for pilot supply for emergency lowering of access platforms. It can also be utilized in lubrication circuits.

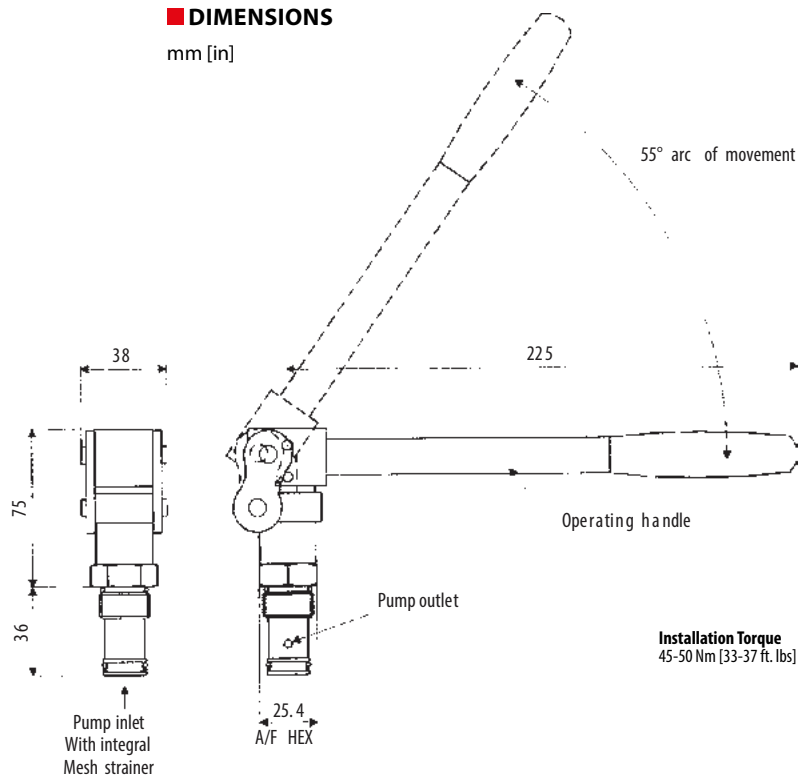
For smooth operation, inlet lines should not be excessively long, and the vertical distance between pump and tank level no more than 300 mm (12 inch). The handle rotates on the cartridge to meet the application requirements.

#### SCHEMATIC



#### DIMENSIONS

mm [in]



**Installation Torque**  
45-50 Nm [33-37 ft. lbs]

#### PERFORMANCE DATA

Rated pressure	250 bar [3600 psi]
Displacement	1.9 ml/stroke
Weight	0.8 Kg [1.76 lbs]
Cavity	SDC10-2

#### MODEL CODE

**1HP10 - 3W - S**

##### Basic Code

1HP10 - Cartridge only  
1HP15 - Cartridge and body

##### Housing

Code	Port size	Aluminum
Omit	No Housing	
3W	3/8 BSP	B19053
8T	#1/2 SAE	B19402

\* Aluminum bodies are to be used for pressures less than 210 bar [3000 psi].

\* Additional housings available

##### Seal Option

Code	Seal Kit
S-Nitrile	SK1124
SV-Viton	SK1124V

## Accessories

### CP602-5

Hand Pump

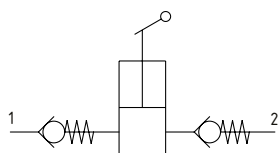
210 bar [3000 psi] • 9.2 ml/stroke

#### DESCRIPTION AND OPERATION

This is a manually operated, unidirectional hand pump. Activating the valve will force oil out through a check valve and into the system. Retracting the valve will draw oil into the chamber through a second check valve. This hand pump has been designed to be used on machines which require emergency release of brakes or for pilot supply for emergency lowering of access platforms. It can also be utilized in lubrication circuits.

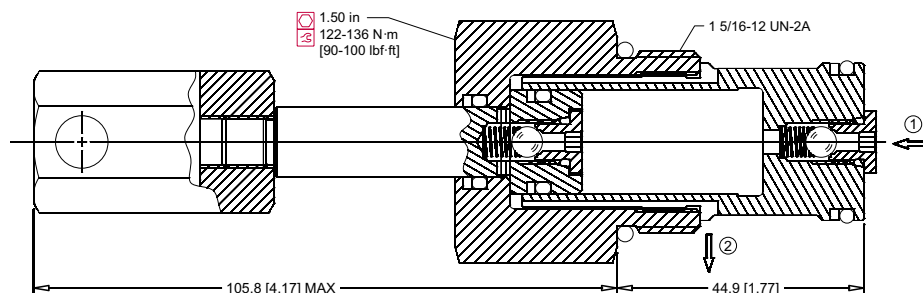
For smooth operation, inlet lines should not be excessively long, and the vertical distance between pump and tank level no more than 300 mm (12 inch).

#### SCHEMATIC



#### DIMENSIONS

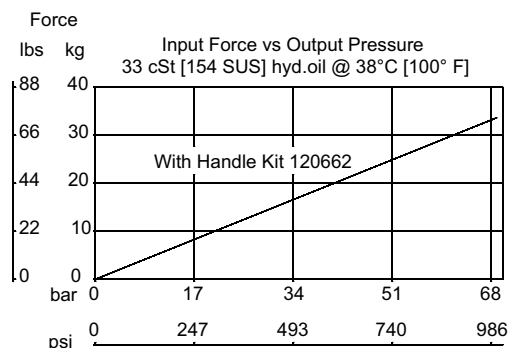
mm [in]



#### PERFORMANCE DATA

Rated pressure	210 bar [3000 psi]
Displacement	9.2 ml/stroke
Leakage	6 drops/ minute @ Rated pressure
Weight	0.24 kg [0.52 lbs]
Handle Kit	120662
Cavity	SDC16-2

#### PERFORMANCE CURVES



#### MODEL CODE

CP602 - 5 - B - 12S - H

##### Seal Option

Code	Seal Kit
B-Buna - N	120019
V-Viton	120020

##### Housing

Code	Ports & Material	Housing Model Code
0	No Housing	
8S	#8 SAE	11083691

\* Aluminum bodies are to be used for pressures less than 210 bar [3000 psi]

\* Additional housings available

##### Handle Option

0 - No Handle  
H - Handle kit included (p/n 120662)

## Accessories

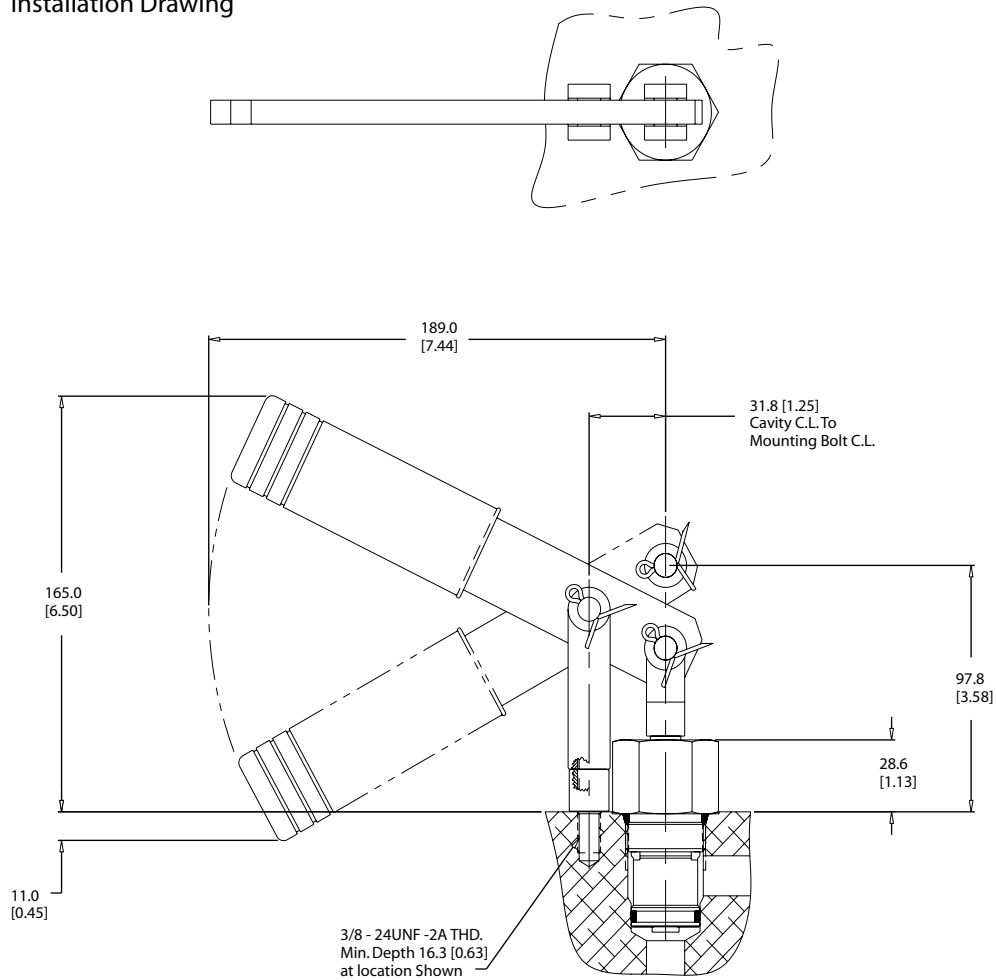
# 120662

CP602-5 Handle Kit

### ■ DIMENSIONS

mm [in]

Installation Drawing



## Accessories

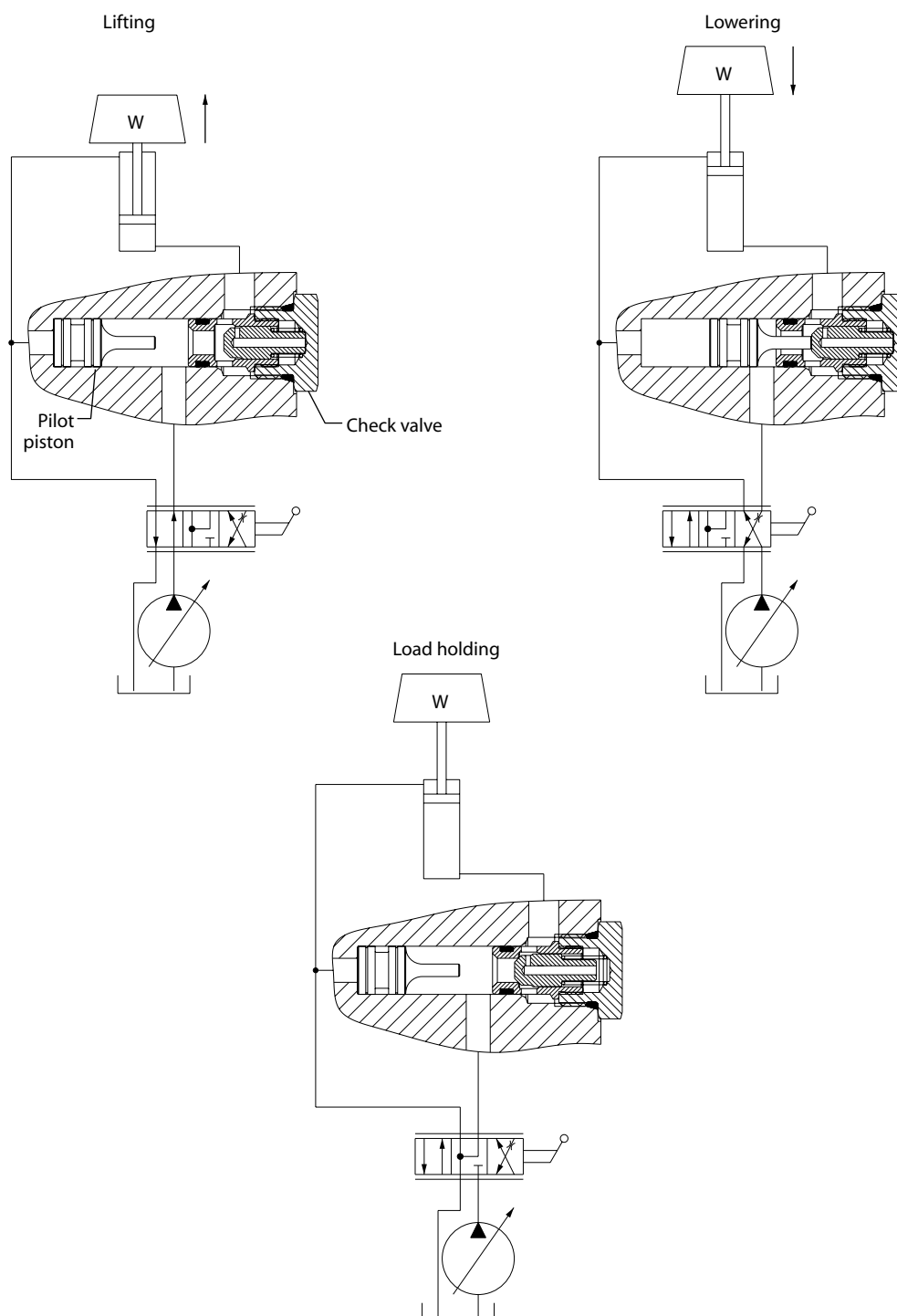
### Pilot Pistons

#### ■ OPERATION

Pilot pistons used with check valve cartridges are an economical way to create pilot-operated check valve functions in custom Hydraulic Integrated Circuits (HIC).

#### ■ EXAMPLE

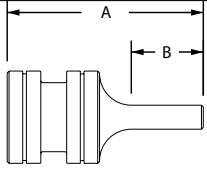
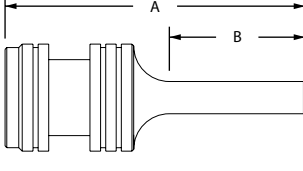
Application of pilot pistons



## Accessories

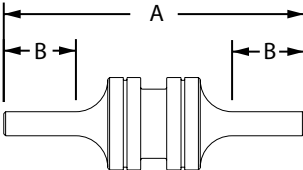
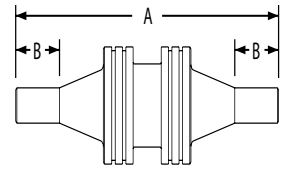
### Pilot Pistons

#### ■ SINGLE-ACTING PILOT PISTONS

Series	Compatible valves	Pilot ratio	Seals (optional)	Pilot piston order code	A mm [in]	B mm [in]	Bore diameter* mm [in]	
8	CV08-NP	4:1	1) 720092 O-rings 2) 720500 back-up rings	621460	26.97 [1.062]	14.27 [0.562]	Ø 12.70 ± 0.03 [0.501 ± 0.001]	
10	CV10-NP	4:1	1) 720178 O-ring 2) 720412 back-up rings	621175	44.45 [1.750]	25.40 [1.000]	Ø 15.90 ± 0.03 [0.626 ± 0.001]	
				621176	47.63 [1.875]	28.58 [1.125]		
				621535	38.10 [1.500]	19.05 [0.750]		

\*Consult factory for bore details.

#### ■ DOUBLE-ACTING PILOT PISTONS

Series	Compatible valves	Pilot ratio	Seals (optional)	Pilot piston order code	A mm [in]	B mm [in]	Bore diameter* mm [in]	
8	CV08-NP	4:1	1) 720092 O-rings 2) 720500 back-up rings	621457	41.28 [1.625]	14.27 [0.562]	Ø 12.70 ± 0.03 [0.501 ± 0.001]	
				621553	52.37 [2.062]	19.84 [0.781]		
				625138	38.10 [1.500]	12.70 [0.500]		
				625298	49.53 [1.950]	18.42 [0.725]		
10	CV10-NP	4:1	1) 720178 O-ring 2) 720412 back-up rings	621058	60.50 [2.382]	20.73 [0.816]	Ø 15.90 ± 0.03 [0.626 ± 0.001]	
				621400	57.15 [2.250]	19.05 [0.750]		
				621692	69.85 [2.750]	25.40 [1.000]		
				625104	66.04 [2.600]	23.50 [0.925]		

\*Consult factory for bore details.

## Accessories

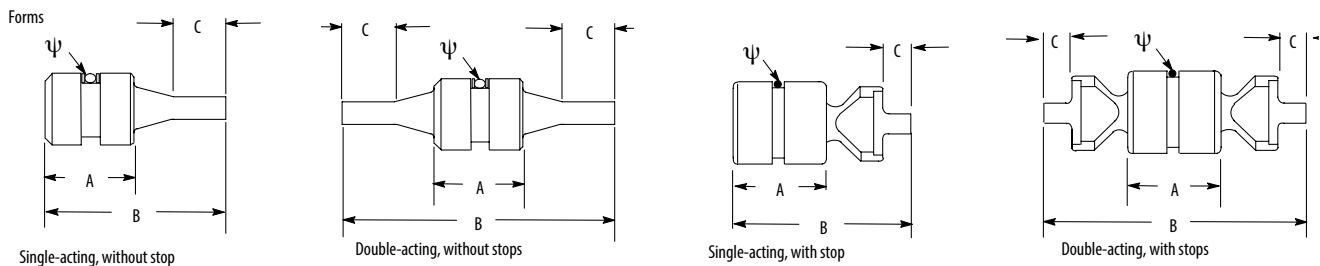
### Pilot Pistons

Nominal cartridge size	Single or double acting	With or without stops	A	B	C	Required housing bore
8	Single	Without	15,1 (0.60)	34,1(1.34)	8,3 (0.33)	12,73 (0.500)
	Double	Without	15,1 (0.60)	53,2 (2.10)	8,3 (0.33)	12,75 (0.502)
10	Single	Without	19,1 (0.75)	41,3 (1.63)	13,5 (0.53)	15,88 (0.625)
	Double	Without	19,1 (0.75)	57,2 (2.25)	10,3 (0.41)	15,88 (0.625)
	Single	With	19,1 (0.75)	45,7 (1.80)	6,7 (0.26)	15,90 (0.626)
	Double	With	19,1 (0.75)	54,8 (2.16)	6,7 (0.26)	15,90 (0.626)
12	Single	Without	17,5 (0.69)	44,5 (1.75)	14,3 (0.56)	23,80 (0.937)
	Double	Without	17,5 (0.69)	71,4 (2.81)	14,3 (0.56)	23,85 (0.939)
16	Single	Without	31,8 (1.25)	63,5 (2.50)	12,7 (0.50)	28,58 (1.125)
	Double	Without	31,8 (1.25)	95,3 (3.75)	12,7 (0.50)	28,60 (1.126)
20	Single	Without	38,1 (1.50)	77,8 (3.06)	19,0 (0.75)	36,50 (1.437)
	Double	Without	38,1 (1.50)	117,5 (4.63)	19,0 (0.75)	36,53 (1.438)

Note: Use with cartridges to form pilot operated check and similar functions in HIC and standard valve packages.

**Warning:** The use of pilot pistons with check valve assemblies may increase the load applied to the valve poppet which may result in reduced fatigue life of the cartridge

Nominal cartridge size	Single or double acting	With or without stops	Piston with buna-N seals	Piston with viton® seal	Piston without seals
8	Single	Without	02-178662	02-178663	02-178653
	Double	Without	02-178669	02-178670	02-178654
10	Single	Without	02-166275	566418	566417
	Double	Without	566419	566420	02-166313
	Single	With	566421	566422	566337
	Double	With	566423	566424	566338
12	Single	Without	02-185700	02-185701	02-185699
	Double	Without	02-185703	02-185704	02-185702
16	Single	Without	566425	566426	889052
	Double	Without	566428	566429	566427
20	Single	Without	566431	566432	566430
	Double	Without	566434	566435	566433



Note:  $\psi$  Sealed models have a central O-ring with a back-up ring on both sides.

**WARNING:** Seals should not be used with check valves that have < 50 psi crack pressure

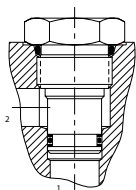
# Accessories

## SDCxx-x Cavity Plugs

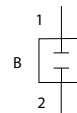
### DESCRIPTION AND OPERATION

Cavity plugs are used to block flow into and out of set ports or to block flow between given ports.

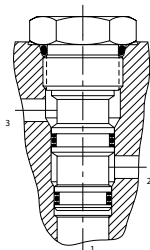
#### 2 WAY PLUG



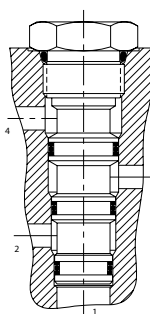
#### Schematic Options



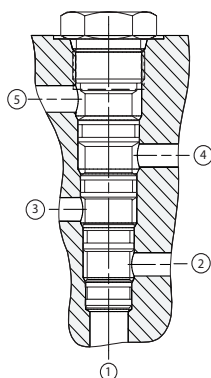
#### 3 WAY PLUG



#### 4 WAY PLUG



#### 5 WAY PLUG



### MODEL CODE

**CP10 - B - 3 - BX**

#### Series

04-4 series  
08-8 series  
10-10 series  
12-12 series\*  
16-16 series  
20-20 series  
\*CP12-3, CP12-3S, and CP12-4 cavity plugs are not interchangeable with SDC12-3, SDC12-3S, and SDC12-4 cavities

#### Seal Option

B-Buna - N  
V-Viton

Configuration: See schematics

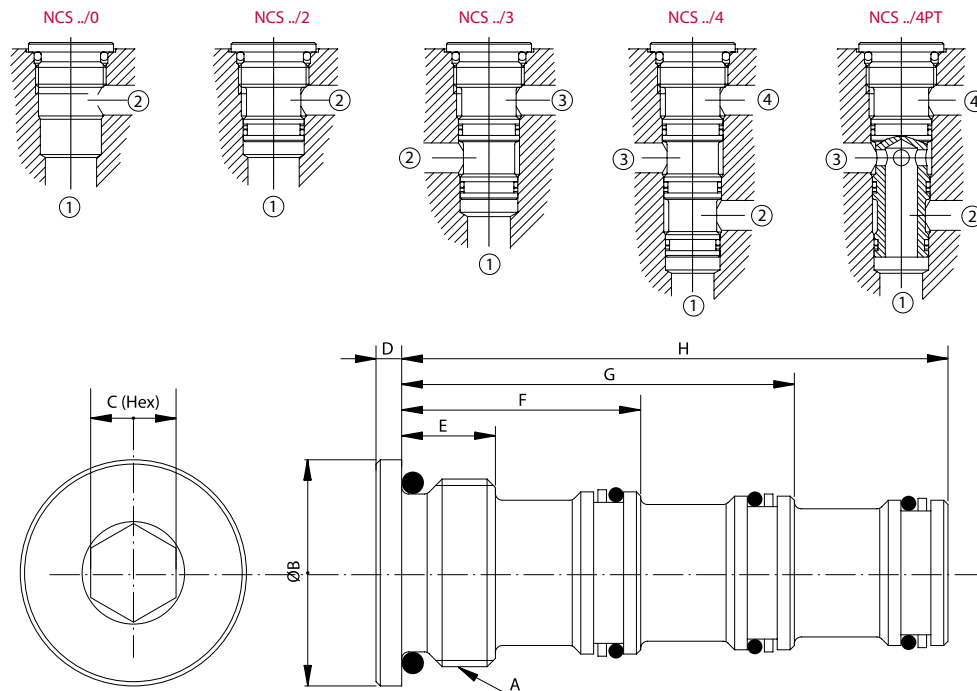
#### Cavity Type

2-2 Way  
3-3 Way  
3S-3 Way (10, 12, 16 & 20 series only)  
4-4 Way  
5-5 Way (10 series only)

## Accessories

### NCS Cavity Plugs

#### PLUGS FOR NCS CAVITIES



#### DIMENSIONS

Type	Dimensions-mm								Order number for plug complete	Weight of plug complete-kg [lbs.]
	A	B	C	D	E	F	G	H		
<b>NCS04/0</b>	M18x1.5	22 [0.87]	8	3 [0.12]	10.5 [0.41]	—	—	—	92.00.010.1	0.018 [0.04]
<b>NCS04/2</b>	M18x1.5	22 [0.87]	8	3 [0.12]	—	24.5 [0.96]	—	—	92.00.009.1	0.035 [0.08]
<b>NCS04/3</b>	M18x1.5	22 [0.87]	8	3 [0.12]	—	—	39.5 [1.56]	—	92.00.008.1	0.057 [0.13]
<b>NCS04/4</b>	M18x1.5	22 [0.87]	8	3 [0.12]	—	—	—	54.5 [2.15]	92.00.007.1	0.070 [0.15]
<b>NCS04/4PT</b>	M18x1.5	22 [0.87]	8	3 [0.12]	—	—	—	54.5 [2.15]	92.00.021.1	0.060 [0.13]
<b>NCS06/0</b>	M22x1.5	26 [1.02]	10	3 [0.12]	11 [0.43]	—	—	—	92.00.006.1	0.032 [0.07]
<b>NCS06/2</b>	M22x1.5	26 [1.02]	10	3 [0.12]	—	28 [1.10]	—	—	92.00.004.1	0.060 [0.13]
<b>NCS06/3</b>	M22x1.5	26 [1.02]	10	3 [0.12]	—	—	46 [1.81]	—	92.00.014.1	0.098 [0.22]
<b>NCS06/4</b>	M22x1.5	26 [1.02]	10	3 [0.12]	—	—	—	64 [2.52]	92.00.013.1	0.120 [0.26]
<b>NCS06/4PT</b>	M22x1.5	26 [1.02]	10	3 [0.12]	—	—	—	64 [2.52]	92.00.020.1	0.100 [0.22]
<b>NCS12/0</b>	M33x2	38 [1.50]	12	3 [0.12]	15 [0.59]	—	—	—	92.00.018.1	0.117 [0.26]
<b>NCS12/2</b>	M33x2	38 [1.50]	12	3 [0.12]	—	38 [1.50]	—	—	92.00.017.1	0.200 [0.44]
<b>NCS12/3</b>	M33x2	38 [1.50]	12	3 [0.12]	—	—	63 [2.48]	—	92.00.016.1	0.280 [0.62]
<b>NCS12/4</b>	M33x2	38 [1.50]	12	3 [0.12]	—	—	—	88 [3.46]	92.00.015.1	0.370 [0.81]
<b>NCS12/4PT</b>	M33x2	38 [1.50]	12	3 [0.12]	—	—	—	88 [3.46]	92.00.022.1	0.310 [0.68]

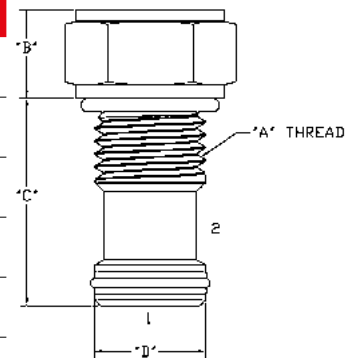
## Accessories

### C-xx-x Cavity Plugs

#### STANDARD PLUGS

Size	Assy. no.				Seal kit
To fit cavity	A	B	C	øD	Buna-N Viton*
C-4-2	0.4375"-20	5,1 (0.20)	21,8 (0.86)	8,61/8,66 (0.339/0.341)	5986597-001 9900174-000 9900175-000
C-8-2	0.750"-16	9,1 (0.36)	27,4 (1.08)	12,6/12,5 (0.498/0.496)	02-171585 02-165877 02-165875
C-10-2	0.875"-14	7,9 (0.31)	31,7 (1.25)	15,8/15,7 (0.62/0.62)	565814 565806 889627
C-12-2	1.062"-12	18,7 (0.74)	44,5 (1.75)	23,7/23,7 (.936/.934)	02-171710 02-165889 02-165888
C-16-2	1.312"-12	12,7 (0.50)	44,7 (1.76)	28,5/28,5 (1.12/1.12)	565816 889631 889635
C-20-2	1.625"-12	13,5 (0.53)	57,2 (2.25)	36,4/36,4 (1.43/1.43)	566440 889639 889643

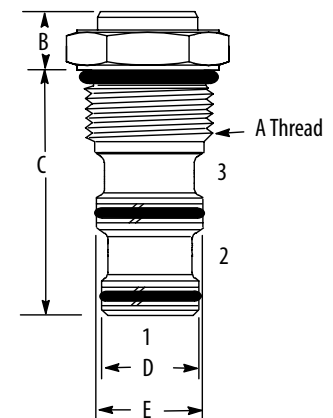
#### C-\*\*-2 Cavity Plugs



**Note:** To block flow from between the ports in any unused standard cavity, in a housing or manifold. Order cavity plugs by part number.

Size	Assy. no.					Seal kit
To fit cavity	A	B	C	D	E	Buna-N Viton*
C-4-3	0.4375"-20	5,1 (0.20)	37,3 (1.47)	7,82/7,87 (0.308/0.310)	8,61/8,66 (0.339/0.341)	5986599-001 9900176-000 9900177-000
C-8-3	0.750"-16	9,1 (0.36)	40,7 (1.60)	14,2/14,0 (0.56/0.55)	15,8 (0.623/0.621)	02-171708 02-160755 02-160765
C-10-3S	0.875"-14	7,9 (0.30)	74,2 (1.86)	17,4/17,4 (0.68/0.68)	19,0/18,9 (0.74/0.74)	566436 02-173019 02-173020
C-10-3			46,0 (1.81)	15,8/15,7 (0.62/0.62)	17,4/17,3 (0.68/0.68)	565815 889624 889628
C-12-3S	1.062"-12	18,7 (0.74)	57,7 (2.27)	22,1/22,1 (0.874/0.872)	23,7/23,7 (0.936/0.934)	02-171711 02-180095 02-165887
C-12-3			67,1 (2.64)	-	-	02-171712 02-165886
C-16-3S	1.312"-12	12,7 (0.50)	55,6 (2.18)	25,3/25,3 (0.99/0.99)	28,5/28,5 (1.2/1.2)	566438 889633 889637
C-16-3			73,1 (2,87)	26,9/26,9 (1.06/1.06)	28,5/28,5 (1.2/1.2)	566437 889632 889636
C-20-3S	1.625"-12	13,5 (0.53)	76,2 (3.0)	33,3/33,2 (1.31/1.30)	36,4/36,4 (1.43/1.43)	566442 02-113153 02-112969
C-20-3			98,5 (3.87)	33,3/33,2 (1.31/1.30)	36,4/36,4 (1.43/1.43)	566441 889640 889644

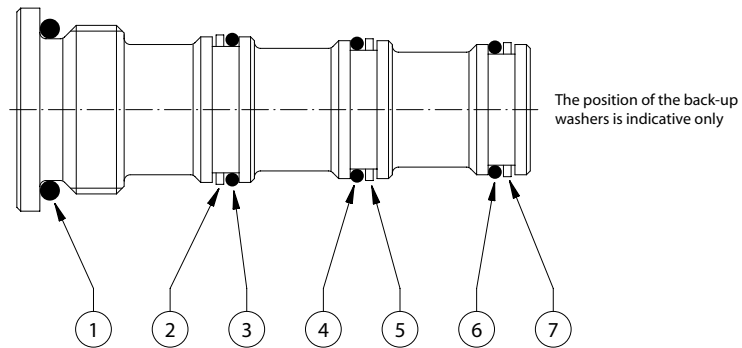
#### C-\*\*-3(S) cavity plugs



## Accessories

### NCS

#### Seal Kits



Type	Seals back-up washers (composition)							Spares: Set of O-rings and back-up washers (pack of 10 sets minimum)	
								Standard seals	Viton seals
NCS04/0	1							230030070	230370070
NCS04/2	1	2	3					230000190	230000390
NCS04/3	1	2	3	4	5			230000160	230000450
NCS04/4	1	2	3	4	5	6	7	230000250	230000460
NCS06/0	1							230080210	230390210
NCS06/2	1	2	3					230000060	230000380
NCS06/3	1	2	3	4	5			230000070	230000110
NCS06/4	1	2	3	4	5	6	7	230000080	230000350
NCS12/0	1							230030110	230370110
NCS12/2	1	2	3					230000120	230000470
NCS12/3	1	2	3	4	5			230000130	230000360
NCS12/4	1	2	3	4	5	6	7	230000100	230000480

# Accessories

## Orifice plugs

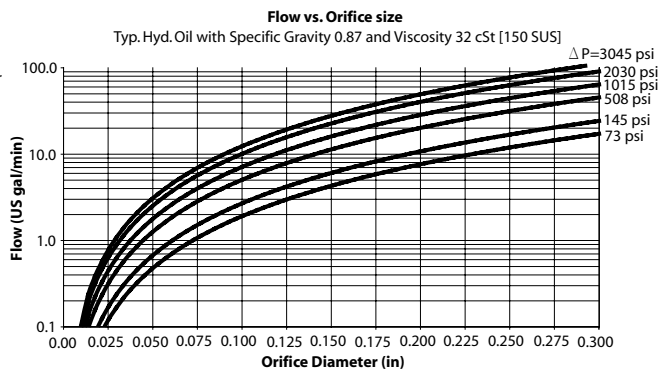
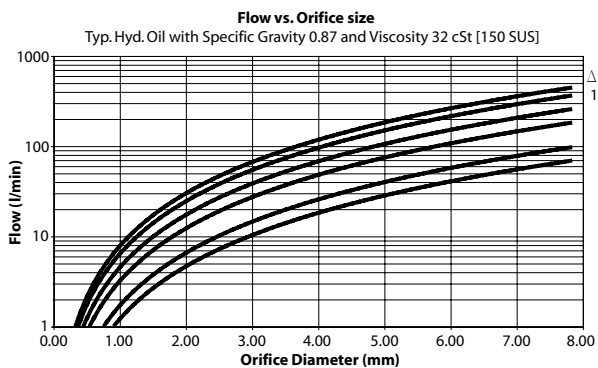
### DESCRIPTION AND OPERATION

Install in manifold to restrict fluid flow.

### SCHEMATIC

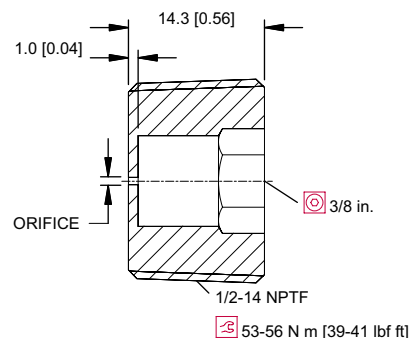
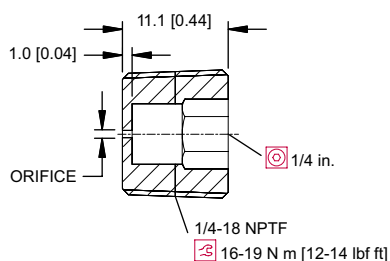
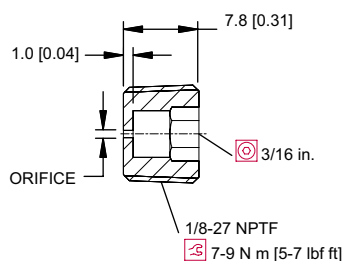
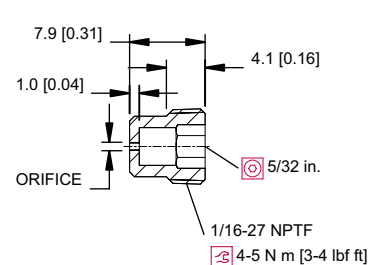
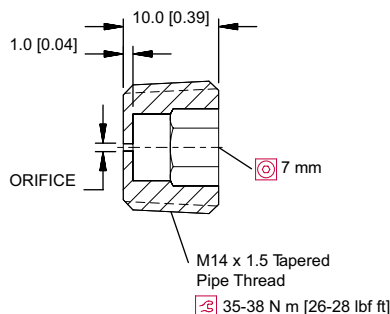
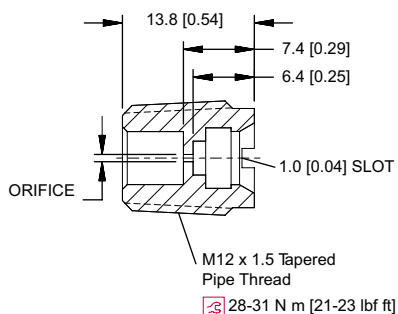
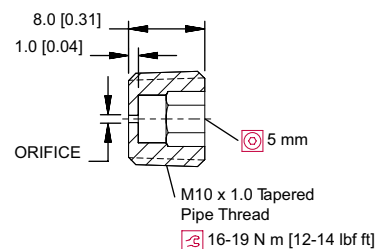
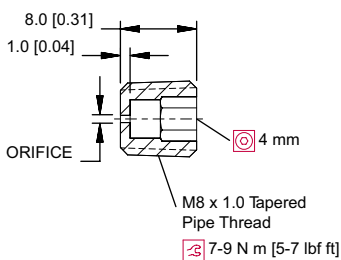
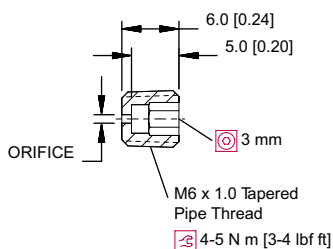


### PERFORMANCE CURVES



### DIMENSIONS

mm [in]



## Accessories

### Orifice plugs

Orifice Diameter		Orifice Plug Part Number								
		Plug Thread Size								
mm	[in]	1/16-27 NPTF	1/8-27 NPTF	1/4-18 NPTF	1/2-14 NPTF	M6 x 1.0 Tapere d Pipe Thread	M8 x 1.0 Tapere d Pipe Thread	M10 x 1.0 Tapere d Pipe Thread	M12 x 1.5 Tapere d Pipe Thread	M14 x 1.5 Tapere d Pipe Thread
None	None			320151	320153	624910	321561	321562	626059	321660
0.33	0.013	11008337				625958				
0.38	0.015	620510				625414				
0.43	0.017								626062	
0.46	0.018									
0.51	0.020	621510	11015116			624898	625190			
0.61	0.024	622417				624904		624478		
0.64	0.025	620634				624862	624838			
0.71	0.028	622846				62486				
0.76	0.030	620296	620299							
0.79	0.031					624855	624857	624308	626133	625266
0.81	0.032	624410								
0.89	0.035	622447				624903	625346	625424		
0.91	0.036	620777				626022				
0.97	0.038	621608								
0.99	0.039					624856	624821			
1.02	0.040	620511								
1.07	0.042	621702				626075				
1.14	0.045	621210								
1.19	0.047	620814	620591				624892	624427		
1.32	0.052	620573				624911	626100			
1.40	0.055	620572								
1.50	0.059					624846	624822	624152		
1.52	0.060	620297								
1.57	0.062	621496								
1.60	0.063					625197	624902	625252		
1.70	0.067					624844				
1.78	0.070	621554				625871	626041			
1.98	0.078	622117								
2.01	0.079					626135	624681	624153		
2.03	0.080									
2.06	0.081									
2.13	0.084									
2.18	0.086	621246								
2.21	0.087						625067			
2.26	0.089									
2.29	0.090					625002				
2.39	0.094		622721			625542		626138		
2.44	0.096	621051		626010						
2.46	0.097						626185			
2.49	0.098									
2.59	0.102						625630			
2.64	0.104									
2.67	0.105			621665						
2.74	0.108							625049		
2.79	0.110						625492			
2.82	0.111									
2.95	0.116	620575								
3.00	0.118							624480		
3.05	0.120									
3.10	0.122									
3.18	0.125		622722				626058	626151		
3.28	0.129									
3.30	0.130									
3.35	0.132						625543			
3.45	0.136									
3.56	0.140		622114						625929	
3.78	0.149	623712								
3.96	0.156									
4.06	0.160			621666						
4.22	0.166									
4.57	0.180		624362							
4.78	0.188				623224					
5.00	0.197									624501
5.16	0.203									
5.61	0.221									
5.84	0.230									625981
6.35	0.250									625068
7.92	0.312									

P106 018E

## Accessories

### Orifice Disks

#### DESCRIPTION AND OPERATION

An orifice disk is installed at the bottom of a standard cavity to create a local pressure drop in the flow to and from port 1 of the cartridge. Two series of disks are available according to the maximum pressure drop required:

1. Flat discs/maximum pressure drop/13,8 bar (200 psi).
2. Conical discs/maximum pressure drop/210 bar (3000 psi).

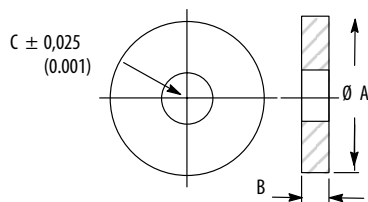
#### Blank orifice discs (flat)

Cavity sizes	Max pressure drop bar (psi)	ØA	B	ØC	Assy number
C-8-2/4	13,8 (200)	12,45 (0.490)	1,27 (0.050)	*	02-163254
C-10-2/3/4	13,8 (200)	5,80 (0.622) 15,75 (0.620)	1,52 (0.060)	*	02-162850
C-16-2	13,8 (200)	28,58 (1.125) 28,52 (1.123)	2,03 (0.08)	*	566247
C-16-3	13,8 (200)	26,97 (1.062) 26,92 (1.060)	2,03 (0.08)	*	02-162872
C-16-3S/4	13,8 (200)	25,4 (1.00) 25,35 (0.998)	2,03 (0.08)	*	02-174504

\*User to specify

#### DIMENSIONS

mm [in]

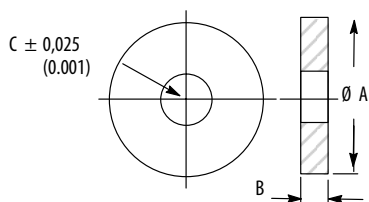


#### Blank orifice discs (conical)

Cavity sizes	Max pressure drop bar (psi)	ØA	ØB	ØC	D	E	F	Assy number
C-8-2/4	210 (3000)	3,96 (0.156)	5,84 (0.230)	12,45 (0.490)	1,90 (0.075)	3,05 (0.120)		02-174854
C-8-3	210 (3000)	3,96 (0.156)	5,84 (0.230)	14,05 (0.553)	1,90 (0.075)	3,05 (0.120)		02-178181
C-10-2	210 (3000)	5,54 (0.218)	6,35 (0.250)	15,80 (0.622) 15,75 (0.620)	1,14 (0.045)	3,56 (0.140)		566478
C-12-2	210 (3000)	7,14 (0.281)	–	23,70 (0.933) 23,65 (0.931)	2,41 (0.095)	3,56 (0.140)	1,14 (0.045)	02-182842

#### DIMENSIONS

mm [in]



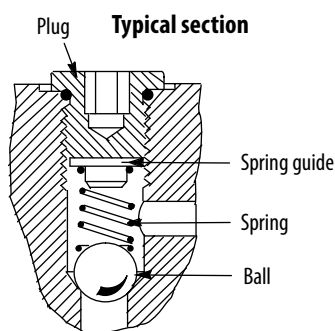
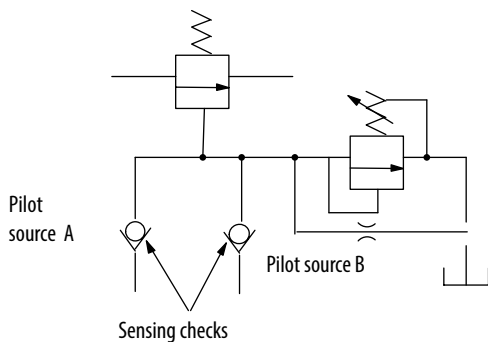
## Accessories

# Sensing Check and Panel Mount Adapter

### DESCRIPTION AND OPERATION

Sensing check kits can be built into customized manifolds to permit pilot control from two or more alternate sources, as example here:

### SCHEMATIC

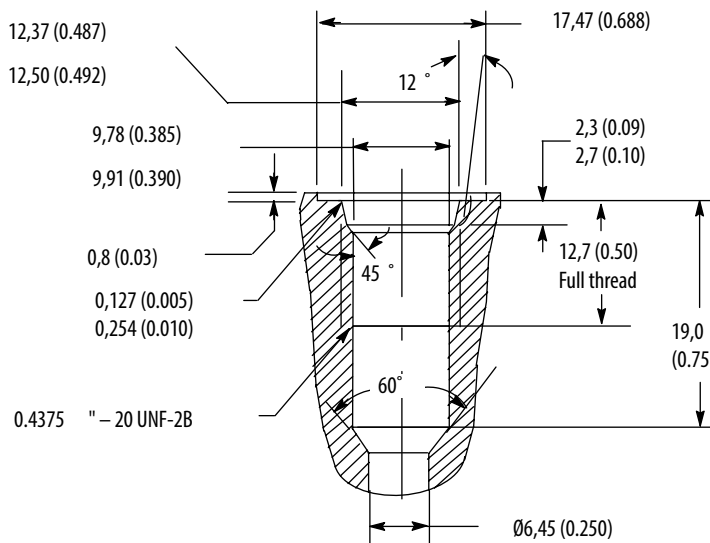


### Seal Option

Code	Seal Kit
B-Buna - N	566395
V-Viton	02-183199

### DIMENSIONS

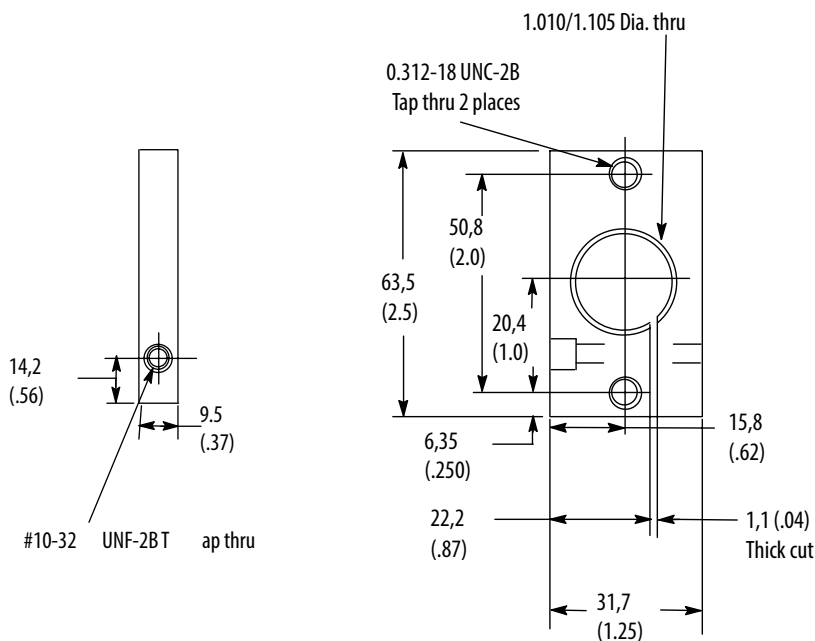
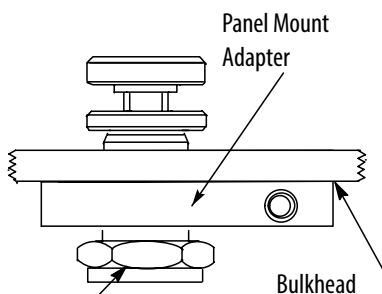
mm [in]



### Panel mount adapter for 10 & 12 series valves

Used for mounting an adjustable pressure valve through a bulkhead or panel surface.

Part number 02-161837





*Danfoss*