



Floor Heating Controls

Danfoss Icon™ Dial Room Thermostats, 230V

Description

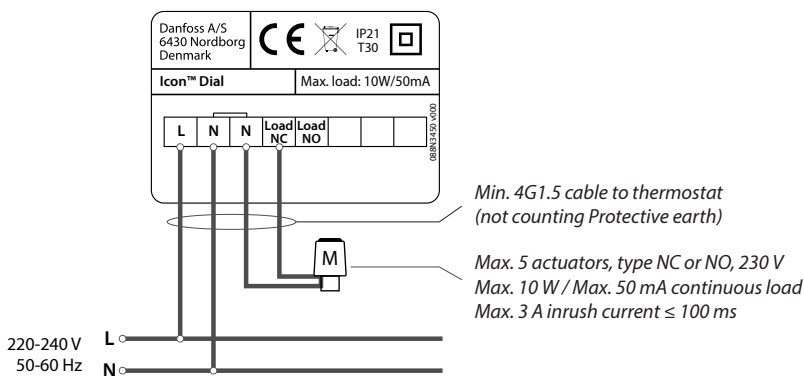
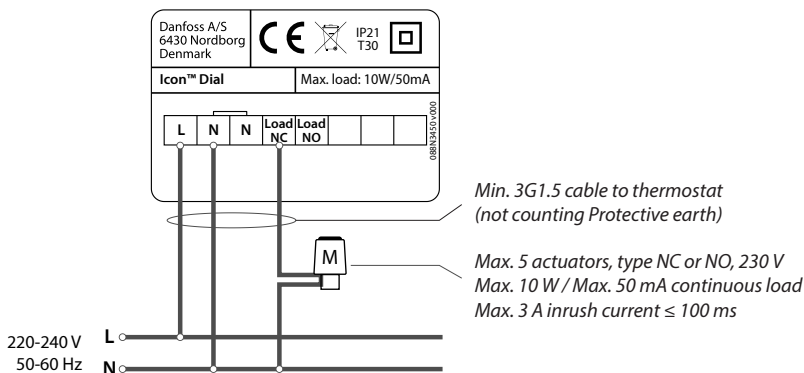
Danfoss Icon™ is a range of flush and surface mounted room thermostats for hydronic floor heating applications. Danfoss Icon™ Dial is mains powered and can be used as a stand-alone thermostat or in combination with Wiring Centers. The thermostat uses a relay output and can control up to 5 thermal actuators. The user can set the desired room temperature with the dial, in a range from 5 to 30 degrees. The dial can be removed, allowing limitation pins to be used to limit the setpoint range.

Features & benefits

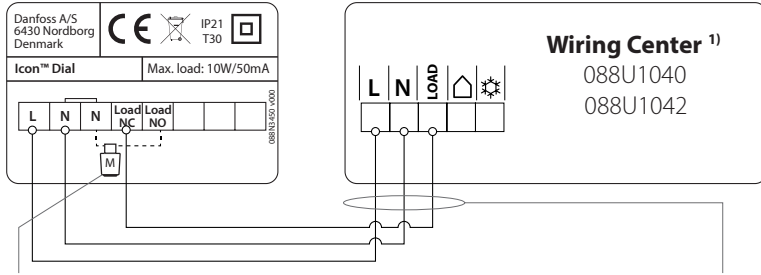
- ON/OFF control
- In-wall version compatible with a wide range of 3rd party wall frames
- Range limitation via pins
- Neutral design and simple user interface
- Frost protection setting
- Can be used with 230 V NC or NO actuators
- Includes thermal accelerator
- Very high UV-resistance

Applications

Wiring without wiring center, neutral wire from main installation



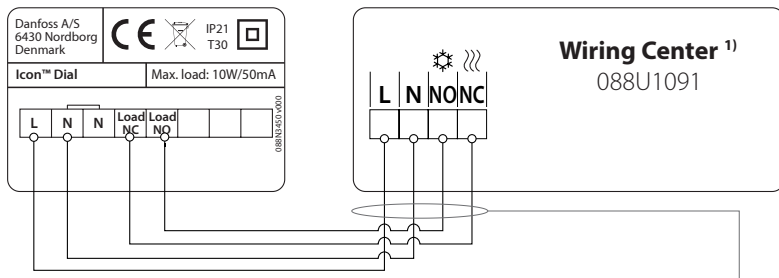
Wiring with wiring center



Max. 5 actuators, type NC, 230 V
 Max. 10 W / Max. 50 mA continuous load
 Max. 3 A inrush current ≤ 100 ms

Min. 3G1.5 cable to thermostat
 (not counting Protective Earth)

Wiring for Heating and Cooling with wiring center 088U1091 (Switzerland)



Min. 3G1.5 cable to thermostat
 (not counting Protective Earth)

¹⁾ **Note!** Wiring Centers only support NC actuators.




Ordering

Product code numbers

Type	Description	Code number
Danfoss Icon™ Dial Room Thermostats, 230V	Danfoss IconDial 230V, IN-WALL, EU+Rest of world 80x80	088U1000
Danfoss Icon™ Dial Room Thermostats, 230V	Danfoss IconDial 230V, IN-WALL, CHINA ONLY 86x86	088U1001
Danfoss Icon™ Dial Room Thermostats, 230V	Dial 230V, IN-WALL 88x88, CH version	088U1002
Danfoss Icon™ Dial Room Thermostats, 230V	Danfoss Icon Dial, 230V, ON-WALL 86x86	088U1005

Accessories code numbers




088U1091

Floor Heating Controls, Danfoss Icon™ 230V Wiring Center, Wiring center, 230 V, Output voltage [V] AC: 230, Number of channels: 8, Din RAIL 35 mm

230 V, 8 channels, Heating and Cooling, for max. 14 ABN-FBH 230V, Wired 230V, CH version, Wired 230V

Related products

[088U1002](#) [088U1005](#)




088U1040

Floor Heating Controls, Danfoss Icon™ 230V Wiring Center, Wiring center, 230 V, Output voltage [V] AC: 230, Number of channels: 8, On-wall

Icon Wiring center 230V, 8 channels, Wired 230V

Related products

[088U1000](#) [088U1001](#) [088U1005](#)




088U1042

Floor Heating Controls, Danfoss Icon™ 230V Wiring Center, Wiring center, 230 V, Output voltage [V] AC: 230, Number of channels: 8, On-wall

Icon Wiring center 230V, 8 channels, NP (no plug) version, Wired 230V

Related products

[088U1000](#) [088U1001](#) [088U1005](#)



088U1113

Danfoss Icon tamper-proof cover 86x86

Danfoss Icon tamper-proof cover 86x86


Related products

[088U1001](#) [088U1005](#)

Product details

General data

Technical specifications

Type	Dial
Temperature setting range	5 – 30 °C (frost protection setting = 5 °C)
Ambient temperature, storage	-20 – +60° C
Ambient temperature, used in application	0 – 40° C
Controller, type	On/Off with thermal accelerator
Max. continuous load (output)	< 50 mA / 10 W (= 5 pcs. Danfoss TWA actuators)
Max. inrush current (actuator)	3 A ≤ 100 ms
Power consumption	0.4 W
Power supply (excl. actuators)	220 – 240 V, 50/60 Hz
Sensor, room	47 kΩ, NTC
Shell material	White parts: PC ASA Grey parts: PC, 10% glass
IP and Protection class	IP: 21 Protection class: II
ErP class	 (1%)
Approval	CE, RoHS, WEEE
Colour	White RAL9010 / Dark Grey RAL7024
Dimensions, in-wall versions	80 × 80 × 11 mm (088U1000) 86 × 86 × 11 mm (088U1001) 88 × 88 × 13 mm (088U1002)
Dimensions, on-wall version	86 × 86 × 25 mm (088U1005)

Dimensions

Figure: Danfoss Icon™ Dial 088U1000

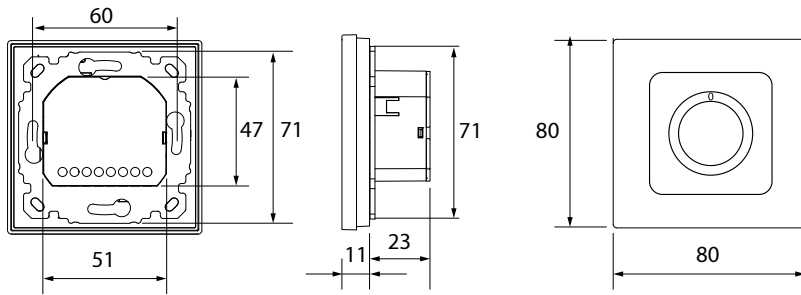


Figure: Danfoss Icon™ Dial 088U1001

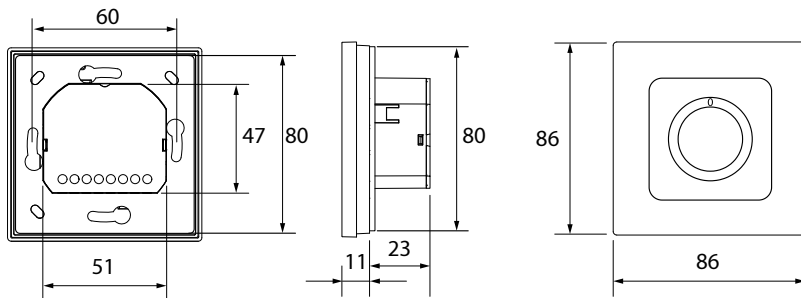


Figure: Danfoss Icon™ Dial 088U1002 (incl. Feller EDIZIOdue frame and adapter)

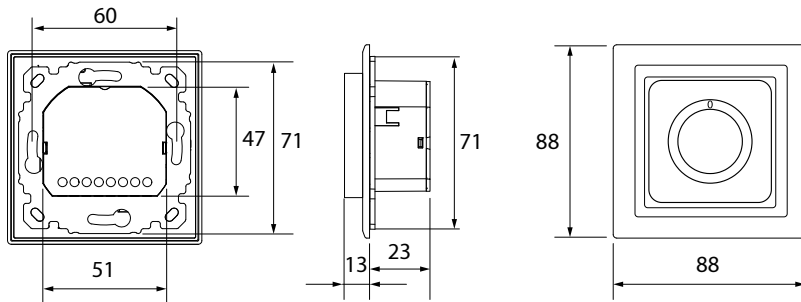
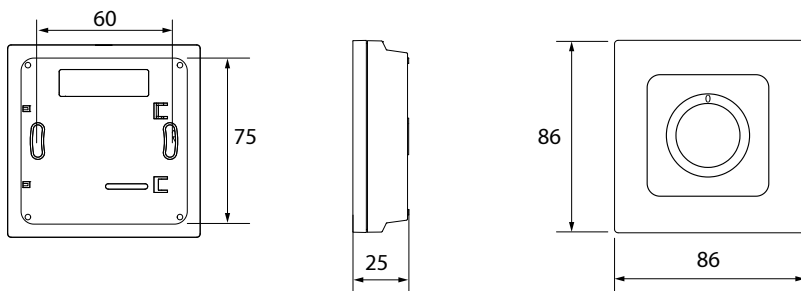


Figure: Danfoss Icon™ Dial 088U1005



All dimensions are in mm

Certificates, declarations and approvals

The list contains all certificates, declarations, and approvals for this product type. Individual code number may have some or all of these approvals, and certain local approvals may not appear on the list.

When you click on the link you will be directed to the latest version of the 'Declaration of Conformity'. Products developed and sold before this date of issue conform to the directives/standards in force at the time of their sale.

Approval type	Title	Certification body	Approval topic
Export Control Declaration	Icon 230V	Danfoss	
EU Declaration	Danfoss EU VJMBA102.02	Danfoss	LVD, EMC, EU RoHS

Contact details

Online support

Danfoss offers a wide range of support along with our products, including digital information, software, mobile apps and expert guidance. See the possibilities below.



The Danfoss Design center

Discover the Design Center, our advanced digital platform that streamlines product selection. With integrated tools and enhanced type pages, it's simpler than ever to access product information and documentation, and to select the right products. Check the availability of Danfoss products at partner locations and enjoy seamless transitions from selection to purchase with our basket-to-basket functionality. Whether you're buying from our distributors or directly from the Product Store, the Design Center simplifies your experience. Learn more at: designcenter.danfoss.com.



The Danfoss product store

The Danfoss Product Store is a one-stop shop available 24/7 for our customers, no matter where you are in the world or what area of industry you work in. Browse our catalog, check product details and documentation, view your prices and product availability, and quickly finalize your purchase. Start browsing at: store.danfoss.com.



Danfoss Partner Portal/Product Data tool

Designed to support you with easy access to product data extracts, essential resources, tools, and information. The Partner Portal provides a centralized hub for product documentation, training materials, marketing assets, and technical support, ensuring you have everything you need to succeed and grow your business with Danfoss. The Partner Portal is available 24/7 at: partner.danfoss.com and is ready to support your business.



Find technical documentation

Find technical documentation you need to get your project up running. Get direct access to our official collection of data sheets, certificates and declarations, manuals and guides, 3D models and drawings, case stories, brochures, and much more. Start searching now at: documentation.danfoss.com.



Danfoss Learning

Danfoss Learning is a free online learning platform. It features courses and materials specifically designed to help engineers, installers, service technicians, and wholesalers better understand the products, applications industry topics, and trends that will help you do your job better. Find your local Danfoss website here: learning.danfoss.com.



Get local information and support

Local Danfoss websites are the main sources for help and information about our company and products. Find product availability, get the latest regional news, or connect with a nearby expert - all in your own language. Find your local Danfoss website here: danfoss.com.

Danfoss A/S

Climate Solutions . danfoss.com . +45 7488 2222

Any information, including, but not limited to information on selection of product, its application or use, product design, weight, dimensions, capacity or any other technical data in product manuals, catalogues description, advertisements, etc. and whether made available in writing, orally, electronically, online or via download, shall be considered informative, and is only binding if and to the extent, explicit reference is made in a quotation or order confirmation. Danfoss cannot accept any responsibility for possible errors in catalogues, brochures, videos and other material. Danfoss reserves the right to alter its products without notice. This also applies to products ordered but not delivered provided that such alterations can be made without changes to form, fit or function of the products. All trademarks in this material are property of Danfoss A/S or Danfoss group companies. Danfoss and the Danfoss logo are trademarks of Danfoss A/S. All rights reserved.
