



# Solenoid valve

## EV222B

Servo operated with isolated diaphragm for dirty and aggressive fluids

## Description

EV222B is an indirect servo-operated solenoid valve programme for use in connection with contaminated or aggressive media. Valve body in stainless steel, isolating diaphragm protecting the solenoid system against impurities, build in pilot filter, replaceable equalizing orifice, enclosures up to IP67 ensure a reliable and satisfaction function.

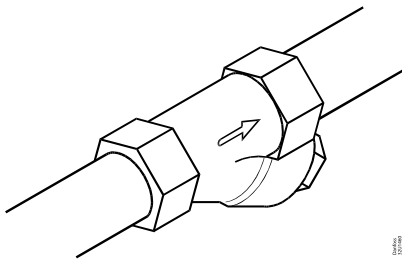
## Features & benefits

- Clip on coil
- Viscosity: Up to 50 cSt
- Ambient temperature: Up to 60 °C
- Coil enclosure: Up to IP67
- Isolating diaphragm
- Water hammer damped built in filter for protection of pilot system

## Applications

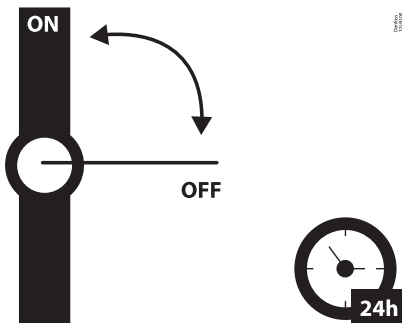
It is recommended to use a filter in front of the valve. Recommended filter 50 mesh (297 microns).

**Figure: Filter**



In water applications, exercise the valves at least once every 24 hours, meaning change the state of the valve. The valve exercise will minimize the risk of the valve sticking due to calcium carbonate, zinc or iron oxide build-up.

**Figure: Exercise - Valve on/off**



To minimize scaling, and corrosion attack it is recommended that the water passing the valve have the following values:

- Hardness 6 – 18 °dH to avoid scaling (chalk / lime stone build up).
- Conductivity 50 – 800 µS/cm to avoid brass dezincification and corrosion.
- Above 25 °C media temperature avoid stagnant water inside the valve to avoid dezincification and corrosion attack.

## Ordering




### Product code numbers

Connection standard	Connection type	Connection size [in]	Orifice size [mm]	Kv value [m <sup>3</sup> /h]	Seal Material	Function	Code number
ISO 228-1	G	1/2	15.00	4.000	FKM	NC	032U8526
ISO 228-1	G	3/4	20.00	8.000	FKM	NC	032U8527
ISO 228-1	G	1	25.00	11.000	FKM	NC	032U8528
ISO 228-1	G	1 1/4	32.00	18.000	FKM	NC	032U8529
ISO 228-1	G	1 1/2	40.00	24.000	FKM	NC	032U8530
ISO 228-1	G	2	50.00	40.000	FKM	NC	032U8531

### Accessories code numbers

#### Coil

Table: Coils can be used with EV222B

Coil	Type	Power consumption	Enclosure	Features
	BB, clip on	10 W AC 18 W DC	IP00 with spade connector	IP20 with protective cap, IP67 with cable plug
	BE, clip on	10 W AC 18 W DC	IP67	With terminal box
	BG, clip-on	12 W AC 20 W DC	IP67	With terminal box

#### Cable plug

Figure: Cable plug



Table: Cable plug

Cable plug size	Description	Code no.
DIN 18	Cable plug IP67	042N1256

#### Universal electronic multi-timer, Type ET 20M

**Figure: Type ET 20 M****Table: Type ET 20 M**

Type	Voltage [V]	Suitable for coil types	Code no.
BA024A	240-0240	AL, AM, AS, AZ, BA, BD, BB	042N0185

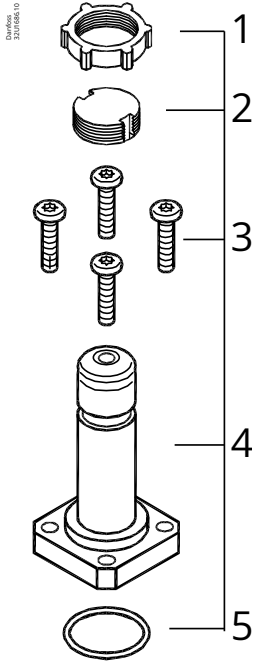
## Spare parts code numbers

### Spare part kits

#### Isolating diaphragm kit

The isolating diaphragm design ensures that no fluid enters the armature area, which gives the following advantages: The valve is resistant to aggressive fluids, impurities in the fluid and to calcareous and scale deposits.

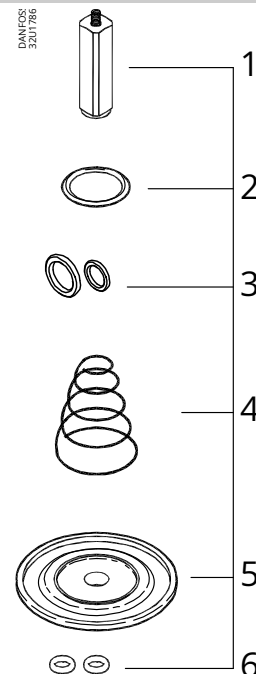
**Table: Isolating diaphragm kit**

Type	Sealing	
	EPDM <sup>(1)</sup>	FKM <sup>(2)</sup>
EV222B 15 – 50	042U1009	042U1010
		
	<p>1. Locking button                  2. Locking nut                  3. 4 x screws                  4. Assembled isolating unit                  5. O-ring</p>	

<sup>(1)</sup> Media temperature -20 – 50 °C

<sup>(2)</sup> Media temperature 0 – 50 °C

**Table: Diaphragm spare parts kit, NC**


Type	Actuator kit, NC, DZR/SS	
	Sealing	
	FKM	
EV222B 15	032U6326	
EV222B 20	032U6327	
EV222B 25	032U6328	
EV222B 32	032U6329	
EV222B 40	032U6330	
EV222B 50	032U6331	
		
	<ol style="list-style-type: none"> <li>1. Armature with valve plate and spring</li> <li>2. O-ring for the armature tube</li> <li>3. 2x O-rings for the equalizing orifice</li> <li>4. Closing spring</li> <li>5. Diaphragm</li> <li>6. 2 x O-rings for the pilot system</li> </ol>	

**NOTE:** For complete spare parts kit, the isolating diaphragm kit must be ordered separately

## Overview

### Product portfolio

Table: Portfolio overview

Features	EV222B
	
<b>Body material</b>	Stainless steel
<b>DN</b>	15 – 50 mm
<b>Connection</b>	G½" – G2"
<b>Sealing material</b>	FKM
<b>Function</b>	NC
<b>K<sub>v</sub></b>	4 – 40 m <sup>3</sup> /h
<b>Differential pressure range</b>	0.3 – 10 bar
<b>Temperature range</b>	0 – 50 °C

## Functions

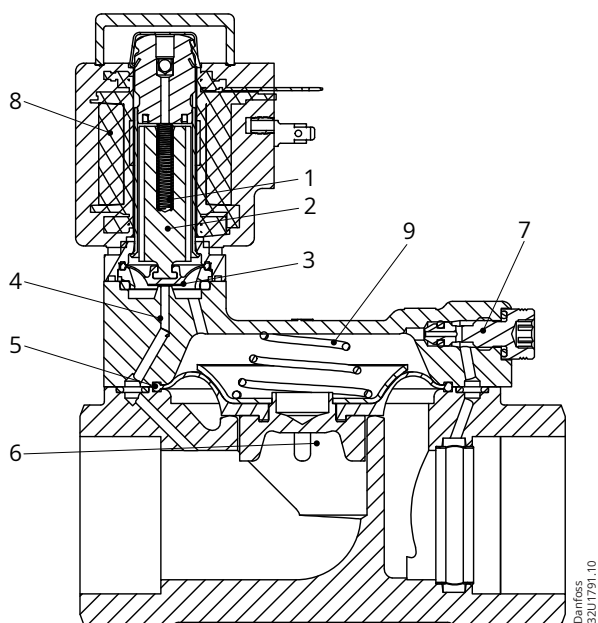
### 2.1 Function, NC

2/2-way servo-operated When voltage is applied to the coil (8), the armature (2), with the isolating diaphragm (3), is lifted clear of the pilot orifice (4) and the diaphragm (5), is lifted by the fluid pressure - the main orifice (6) opens.

When voltage is disconnected the isolating diaphragm (3), is pressed down against the pilot orifice (4), by the armature spring (1) and pressure is built up above the diaphragm (5), via the equalizing orifice (7). The main orifice is closed by the fluid pressure and the spring (9). The isolating diaphragm keeps the medium away from the actuator.

The space above the isolating diaphragm is filled up with silicone oil.

**Figure: Function, NC**



1.	Armature spring
2.	Armature
3.	Isolating diaphragm
4.	Pilot orifice
5.	Diaphragm
6.	Main orifice
7.	Equalizing orifice
8.	Coil
9.	Spring

## Product details

### General data

Table: Technical data

<b>Media</b>	FKM	Contaminated or aggressive media
<b>Media temperature</b>	FKM	0 – 50 °C
<b>Ambient temperature</b>	Up to 60 °C	
<b>K<sub>v</sub> value</b>	DN15	4 m <sup>3</sup> /h
	DN20	8 m <sup>3</sup> /h
	DN25	11 m <sup>3</sup> /h
	DN32	18 m <sup>3</sup> /h
	DN40	24 m <sup>3</sup> /h
	DN50	40 m <sup>3</sup> /h
<b>Min. Opening differential pressure</b>	0.3 bar	
<b>Max. Opening differential pressure</b>	10 bar	
<b>Max. working pressure</b>	10 bar	
<b>Max. test pressure</b>	15 bar	
<b>Viscosity</b>	Max. 50 cSt	

Table: Time to open/close

Main type	EV222B 15	EV222B 20	EV222B 25	EV222B 32	EV222B 40	EV222B 50
Time to open [ms] <sup>(1)</sup>	40	40	300	1000	1500	5000
Time to close [ms] <sup>(1)</sup>	350	1000	1000	2500	4000	10000

<sup>(1)</sup> The times are indicative and apply to water. The exact times will depend on the pressure conditions. Closing times can be changed by replacement of the equalizing office.

### Materials

Table: Materials Component

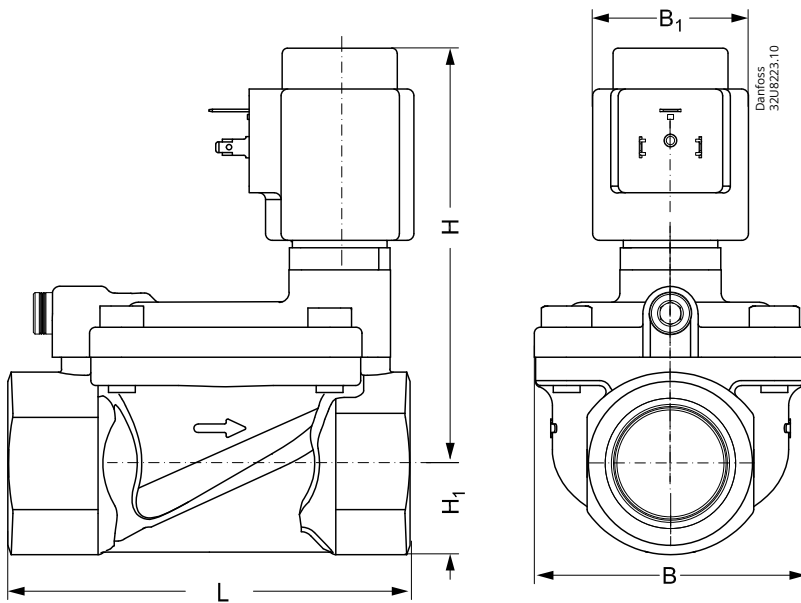
Components	Materials	Specifications
Valve body/cover	Stainless steel	W.no.1.4404 / AISI316L
Flange for isolating diaphragm	Stainless steel	W.no.1.4404 / AISI316L
Diaphragm plate	Stainless steel	W.no.1.4404 / AISI316L
Isolating diaphragm	FKM	
Main diaphragm	FKM	
Closing spring	Stainless steel	W.no.1.4310 / AISI 301
O-rings	FKM	
Fluid above isolating	Silicone oil	

## Dimensions

Table: Dimension and weight

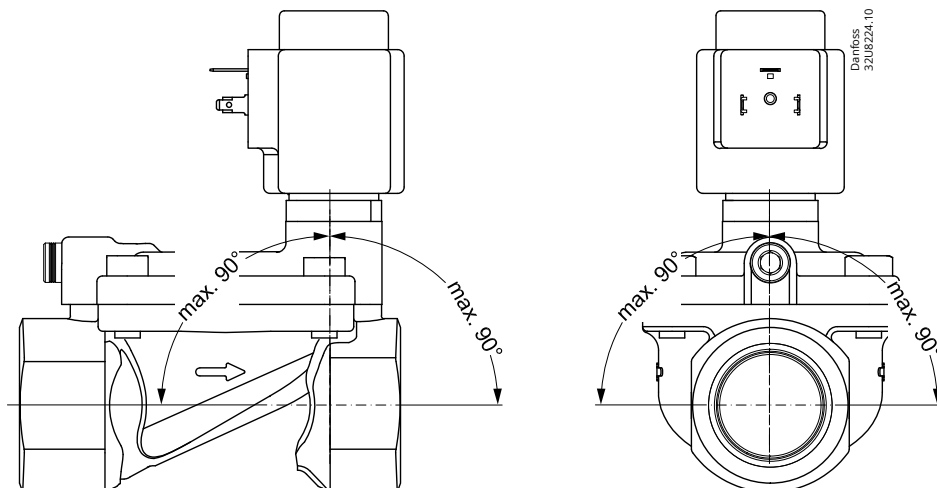
Type	L	B	B <sub>1</sub> Coil type [mm]		H	H <sub>1</sub>	Weight without coil [kg]
	[mm]	[mm]	BB / BE	BG	[mm]	[mm]	
EV222B 15	80	52	46	68	104	15	0.8
EV222B 20	90	58	46	68	108	18	1.0
EV222B 25	109	70	46	68	118	22	1.4
EV222B 32	120	82	46	68	125	27	2.0
EV222B 40	130	95	46	68	134	32	3.2
EV222B 50	162	113	46	68	140	37	4.3

Figure: Dimension



## Mounting

Figure: Mounting angle



## Certificates, declarations and approvals

The list contains all certificates, declarations, and approvals for this product type. Individual code number may have some or all of these approvals, and certain local approvals may not appear on the list.

When you click on the link you will be directed to the latest version of the 'Declaration of Conformity'. Products developed and sold before this date of issue conform to the directives/standards in force at the time of their sale.

Approval type	Title	Certification body	Approval topic
Export Control Declaration	<a href="#">Solenoid valves - Stainless steel</a>	Danfoss	
Export Control Declaration	<a href="#">Solenoid valves - Polymer, Bronze, Brass, Cast iron</a>	Danfoss	
EU Declaration	<a href="#">Danfoss EU 033F0682.AB</a>	Danfoss	LVD, Pressure, PED, EU RoHS
Pressure Safety Certificate	<a href="#">LLC CDC EURO-TYSK UA.TR.089.1015.02-22</a>	LLC CDC EURO TYSK - Ukraine	Pressure, PED
Manufacturer's Declaration	<a href="#">Danfoss MD 033F0232.AA</a>	Danfoss	Pressure, PED
EU Declaration	<a href="#">Danfoss EU 033F0683.06</a>	Danfoss	LVD, PED, EU RoHS

## Contact details

### Online support

Danfoss offers a wide range of support along with our products, including digital information, software, mobile apps and expert guidance. See the possibilities below.



#### The Danfoss Design center

Discover the Design Center, our advanced digital platform that streamlines product selection. With integrated tools and enhanced type pages, it's simpler than ever to access product information and documentation, and to select the right products. Check the availability of Danfoss products at partner locations and enjoy seamless transitions from selection to purchase with our basket-to-basket functionality. Whether you're buying from our distributors or directly from the Product Store, the Design Center simplifies your experience. Learn more at: [designcenter.danfoss.com](https://designcenter.danfoss.com).



#### The Danfoss product store

The Danfoss Product Store is a one-stop shop available 24/7 for our customers, no matter where you are in the world or what area of industry you work in. Browse our catalog, check product details and documentation, view your prices and product availability, and quickly finalize your purchase. Start browsing at: [store.danfoss.com](https://store.danfoss.com).



#### Danfoss Partner Portal/Product Data tool

Designed to support you with easy access to product data extracts, essential resources, tools, and information. The Partner Portal provides a centralized hub for product documentation, training materials, marketing assets, and technical support, ensuring you have everything you need to succeed and grow your business with Danfoss. The Partner Portal is available 24/7 at: [partner.danfoss.com](https://partner.danfoss.com) and is ready to support your business.



#### Find technical documentation

Find technical documentation you need to get your project up running. Get direct access to our official collection of data sheets, certificates and declarations, manuals and guides, 3D models and drawings, case stories, brochures, and much more. Start searching now at: [documentation.danfoss.com](https://documentation.danfoss.com).



#### Danfoss Learning

Danfoss Learning is a free online learning platform. It features courses and materials specifically designed to help engineers, installers, service technicians, and wholesalers better understand the products, applications industry topics, and trends that will help you do your job better. Find your local Danfoss website here: [learning.danfoss.com](https://learning.danfoss.com).



#### Get local information and support

Local Danfoss websites are the main sources for help and information about our company and products. Find product availability, get the latest regional news, or connect with a nearby expert - all in your own language. Find your local Danfoss website here: [danfoss.com](https://danfoss.com).

#### Danfoss A/S

Climate Solutions . danfoss.com . +45 7488 2222

---

Any information, including, but not limited to information on selection of product, its application or use, product design, weight, dimensions, capacity or any other technical data in product manuals, catalogues description, advertisements, etc. and whether made available in writing, orally, electronically, online or via download, shall be considered informative, and is only binding if and to the extent, explicit reference is made in a quotation or order confirmation. Danfoss cannot accept any responsibility for possible errors in catalogues, brochures, videos and other material. Danfoss reserves the right to alter its products without notice. This also applies to products ordered but not delivered provided that such alterations can be made without changes to form, fit or function of the products. All trademarks in this material are property of Danfoss A/S or Danfoss group companies. Danfoss and the Danfoss logo are trademarks of Danfoss A/S. All rights reserved.

---