



Temperature sensor

MBT 3560

Industrial temperature transmitter

Description

With MBT 3560 we have combined the technology of our standard temperature sensors and the electrical connections from our MBS pressure transmitters with a new developed electronics which has resulted in a compact temperature sensor with a built-in transmitter.

The MBT 3560 is designed for use in harsh industrial environments where reliable, robust and accurate equipment is required.

Available with a wide selection of process and electrical connections. Can be delivered with a 33 mm extension length which makes it possible to measure temperatures up to 200 °C without damaging the built-in electronics.

Features & benefits

- Designed for use in harsh industrial environments where reliable, robust and accurate equipment is required
- All metal enclosure parts made of stainless steel (AISI 316)
- Output signals: 4 – 20 mA or Ratiometric 10 – 90%
- A wide selection of process and electrical connections
- Ultra compact design
- Temperature range -50 – 200 °C
- Sensor pockets available for applications where emptying the system is not an option
- Based on Pt 1000 technology

Ordering

Product code numbers

Type	Sensor										
Measuring range -50 – 200 °C	0							1	1	0	Transmitter setting 0 – 100 °C
Output signal 4 – 20 mA		0						1	1	5	0 – 150 °C
Ratiometric...10 – 90%		1						1	2	0	0 – 200 °C
Protection tube, W.no. 1.4571 (AISI 316 TI) Acid-proof steel, ø8 mm (-50 – 200 °C)			0					4	1	5	-50 – 150 °C
Extension length None				0				4	2	0	-50 – 200 °C
33 mm				1				9	9	9	Other
Insertion length 0050 mm					0050						Process connection G 1/4 A
0080 mm					0080						G 3/8 A
0100 mm					0100						G 1/2 A
0120 mm					0120						1/2 – 14 NPT
0150 mm					0150						Other
0200 mm					0200						Electrical connection Plug, EN 175301-803, Pg 9
0250 mm					0250						Plug, AMP Econoseal, J series, Male, excl. female plug
											Screened cable, 2 m
											Plug, IEC 947-5-2, M12 × 1, male, excl. female plug
											Flying leads
											Other

Preferred versions

Note: Non-standard build-up combinations may be selected. However, minimum order quantities may apply. Please contact your local Danfoss office for further information or request on other versions.

Note: For a detailed overview of our existing code numbers, please visit the Danfoss Product Store at store.danfoss.com. You can use the filtering options to find the right sensor for your specific needs.

Product details

General data

Main specifications

Features	Description
Process connections	See Ordering .
Measuring ranges	Any combinations between -50 – 200 °C
Minimum span	25 °C
Output signals	4 – 20 mA or Ratiometric 10 – 90%
Electrical connections	See Electrical connection

Performance

Features	Indicative response times			
	Water 0.2 m/s		Air 1 m/s	
	$t_{0.5}$	$t_{0.9}$	$t_{0.5}$	$t_{0.9}$
ø8 mm	10 s	35 s	95 s	310 s
Accuracy	Typical: $\pm 0.5\%$ FS, Maximum: $\pm 1.0\%$ FS			
Max. load protection tube	100 bar			

Electrical specifications

Features	Nom. Output signal (short-circuit protected)	
	4 – 20 mA	Ratiometric 10 – 90% of supply voltage
Supply voltage [U_s] polarity protected	10 – 30 V DC	4.75 – 8 V DC 5 V DC (Nom.)
Supply – current consumption	-	< 4 mA at 5 V DC
Insulation resistance	> 100 MΩ at 100 V DC	> 100 MΩ at 100 V DC
Supply voltage dependency	< $\pm 0.05\%$ FS/10 V	-
Current limitation	30 mA	-
Output impedance	-	< 25 Ω
Load [R_L]	$R_L < (U_s - 10) / (0.02 \text{ A})$ ohm	$R_L > 5 \text{ kohm}$ at 5 V DC

Environmental conditions

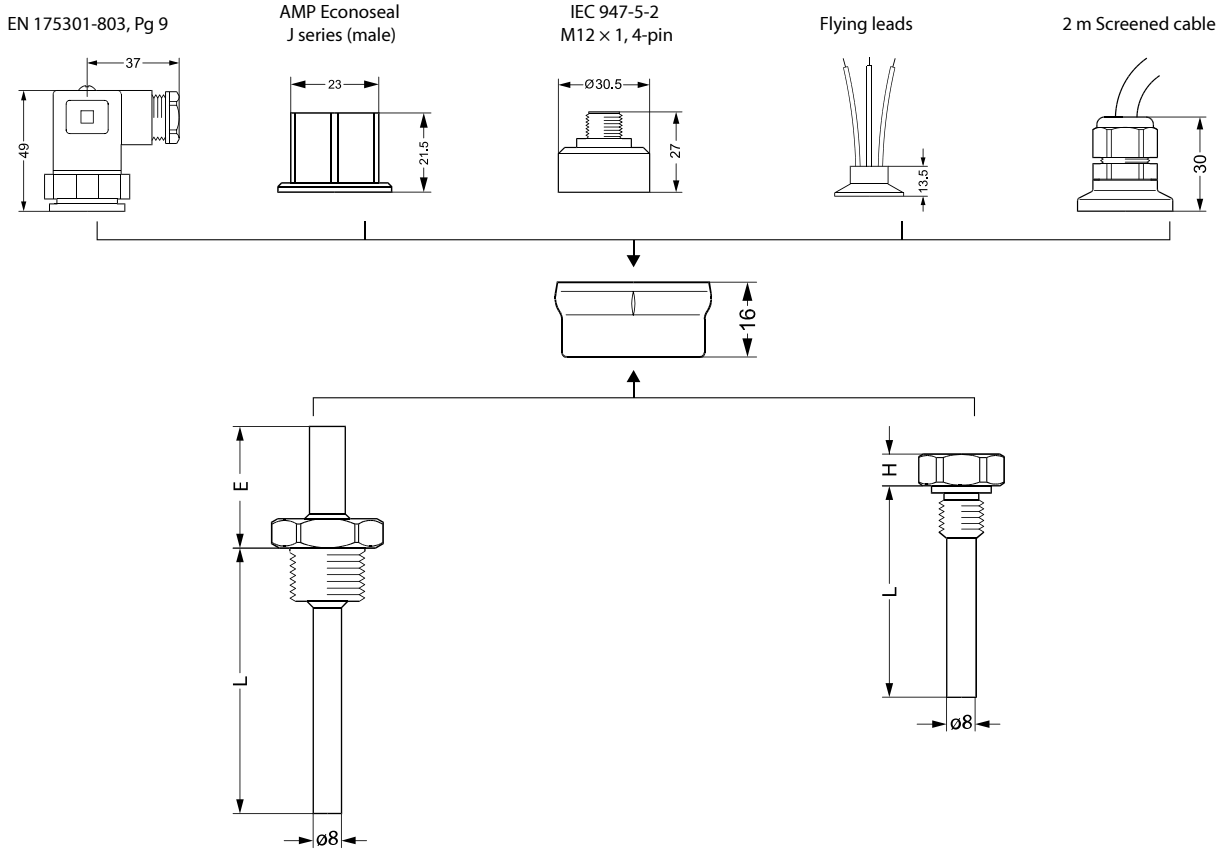
Features	Description
Media temperature (max. 120 °C without extension length)	-50 – 200 °C
Temperature on electronics ⁽¹⁾	-40 – 85 °C
Transport temperature range	-50 – 85 °C
EMC – Emission	EN 61000-6-3
EMC – Immunity	EN 61000-6-2
Vibration stability	Sinusoidal 15.9 mm-pp, 5 – 25 Hz 4 g, 25 Hz – 2 kHz Random 7.5 g _{rms} , 5 Hz – 1 kHz IEC 60068-2-6 IEC 60068-2-34, IEC 60068-2-36
Shock resistance	Shock 500 g/1 ms Free fall IEC 60068-2-27 IEC 60068-2-32
Enclosure (depending on electrical connections)	See Electrical connection

⁽¹⁾ Temperature of the electronics depends on the media temperature, extension length, ambient temperature and air velocity.

Mechanical characteristics

Features	Specifications	
Materials:	Wetted parts	W.no. 1.4571 (AISI 316 Ti)
	Enclosure	W.no. 1.4404 (AISI 316 L)
Measuring insert	fixed	
Net weight (depending on design)	0.1 – 0.15 kg	

Dimensions



E Extension length = 33 mm

L Insertion length

H 9 mm

Connections

Electrical connection

EN 175301-803	AMP Econoseal J series (male)	IEC 947-5-2 M12 x 1	Flying leads	2 m screened cable
Enclosure				
IP65	IP67	IP67	IP67	IP67
Materials				
Glass filled polyamid, PA 6.6	Glass filled polyamid, PA 6.6	Glass filled polyamid, PA 6.6	Glass filled polyamid, PA 6.6	PUR
Electrical connection, 4 – 20 mA output (2 wire)				
Pin 1: +supply Pin 2: +supply Pin 3: Not used Earth: Not connected to MBT housing	Pin 1: +supply Pin 2: +supply Pin 3: Not used	Pin 1: +supply Pin 2: Not used Pin 3: Not used Pin 4: +supply	Red wire: +supply Black wire: +supply	Red wire: +supply White wire: +supply Red/black wire: Not used Screen: Not connected to MBT housing
Electrical connection, Ratio metric (3-wire) 10 – 90%				
Pin 1: +supply Pin 2: +supply Pin 3: Output Earth: Not connected to MBT housing	Pin 1: +supply Pin 2: +supply Pin 3: Output	Pin 1: +supply Pin 2: not used Pin 3: Output Pin 4: +supply	Red wire: +supply Black wire: +supply Blue wire: Output	Red wire: +supply White wire: +supply Red/ Black wire: Output Screen: Not connected to MBT housing

Certificates, declarations and approvals

The list contains all certificates, declarations, and approvals for this product type. Individual code number may have some or all of these approvals, and certain local approvals may not appear on the list.

When you click on the link you will be directed to the latest version of the 'Declaration of Conformity'. Products developed and sold before this date of issue conform to the directives/standards in force at the time of their sale.

Approval type	Title	Certification body	Approval topic
Pressure Safety Certificate	TSSA CRN 0F22934.52367890YTN	TSSA - Technical Standards & Safety Authority	CRN
EU-UK Declaration	Danfoss EU-UK 084R1019.04	Danfoss	EMC, EU RoHS, UK RoHS
Manufacturer's Declaration	Simple Apparatus	Danfoss	Simple apparatus
Manufacturer's Declaration	Danfoss MD 084R1022.01	Danfoss	China RoHS
Export Control Declaration	Pressure & Temperature Sensors	Danfoss	

Contact details

Online support

Danfoss offers a wide range of support along with our products, including digital information, software, mobile apps and expert guidance. See the possibilities below.



The Danfoss Design center

Discover the Design Center, our advanced digital platform that streamlines product selection. With integrated tools and enhanced type pages, it's simpler than ever to access product information and documentation, and to select the right products. Check the availability of Danfoss products at partner locations and enjoy seamless transitions from selection to purchase with our basket-to-basket functionality. Whether you're buying from our distributors or directly from the Product Store, the Design Center simplifies your experience. Learn more at: designcenter.danfoss.com.



The Danfoss product store

The Danfoss Product Store is a one-stop shop available 24/7 for our customers, no matter where you are in the world or what area of industry you work in. Browse our catalog, check product details and documentation, view your prices and product availability, and quickly finalize your purchase. Start browsing at: store.danfoss.com.



Danfoss Partner Portal/Product Data tool

Designed to support you with easy access to product data extracts, essential resources, tools, and information. The Partner Portal provides a centralized hub for product documentation, training materials, marketing assets, and technical support, ensuring you have everything you need to succeed and grow your business with Danfoss. The Partner Portal is available 24/7 at: partner.danfoss.com and is ready to support your business.



Find technical documentation

Find technical documentation you need to get your project up running. Get direct access to our official collection of data sheets, certificates and declarations, manuals and guides, 3D models and drawings, case stories, brochures, and much more. Start searching now at: documentation.danfoss.com.



Danfoss Learning

Danfoss Learning is a free online learning platform. It features courses and materials specifically designed to help engineers, installers, service technicians, and wholesalers better understand the products, applications industry topics, and trends that will help you do your job better. Find your local Danfoss website here: learning.danfoss.com.



Get local information and support

Local Danfoss websites are the main sources for help and information about our company and products. Find product availability, get the latest regional news, or connect with a nearby expert - all in your own language. Find your local Danfoss website here: danfoss.com.

Danfoss A/S

Climate Solutions . danfoss.com . +45 7488 2222

Any information, including, but not limited to information on selection of product, its application or use, product design, weight, dimensions, capacity or any other technical data in product manuals, catalogues description, advertisements, etc. and whether made available in writing, orally, electronically, online or via download, shall be considered informative, and is only binding if and to the extent, explicit reference is made in a quotation or order confirmation. Danfoss cannot accept any responsibility for possible errors in catalogues, brochures, videos and other material. Danfoss reserves the right to alter its products without notice. This also applies to products ordered but not delivered provided that such alterations can be made without changes to form, fit or function of the products. All trademarks in this material are property of Danfoss A/S or Danfoss group companies. Danfoss and the Danfoss logo are trademarks of Danfoss A/S. All rights reserved.
