



Danfoss Leanheat® Monitor DK diagrammer





Leanheat® Monitor – DKSC diagrammer

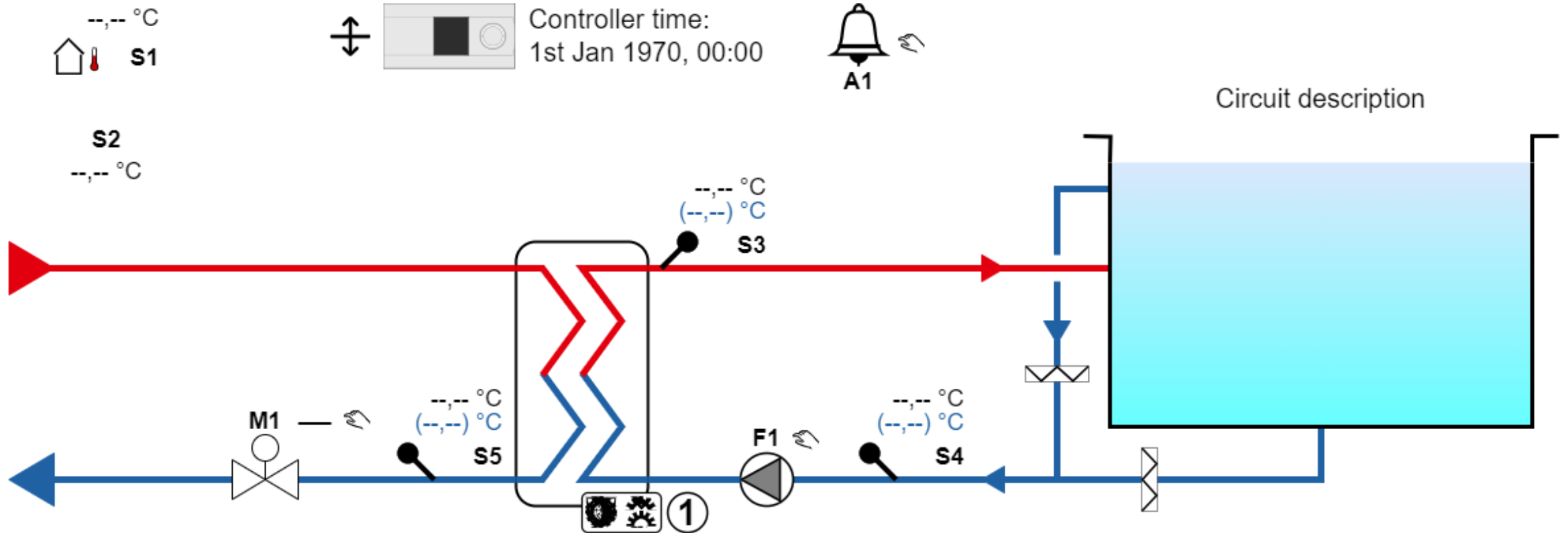
Indholdsfortegnelse

- [A214](#)
- [A217](#)
- [A230](#)
- [A237](#)
- [A247](#)
- [A260](#)
- [A266](#)
- [A267](#)
- [A275](#)
- [A302](#)
- [A314](#)
- [A315](#)
- [A333](#)
- [A362](#)
- [A368](#)
- [A376](#)
- [A377](#)
- [A390](#)
- [P302](#)
- [P314](#)
- [P318](#)
- [P348](#)
- [P375](#)
- [P501](#)

A214

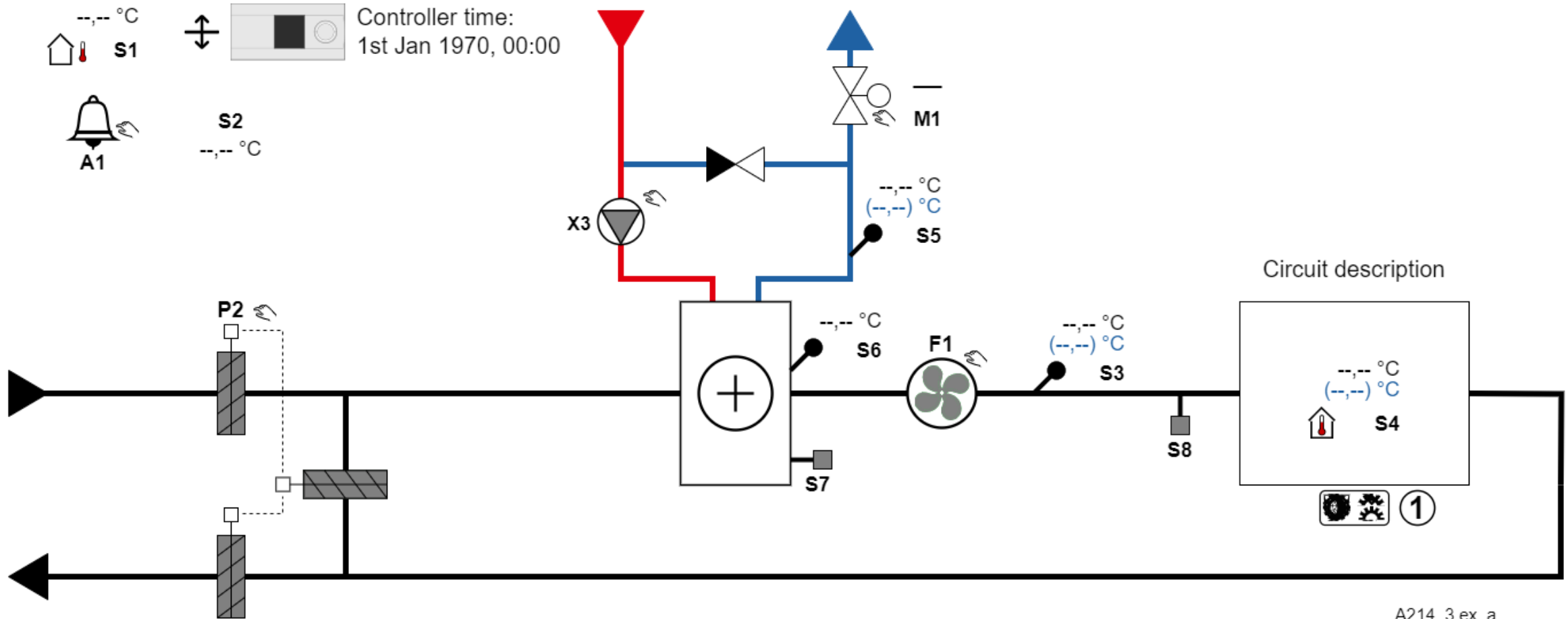


Leanheat® Monitor – A214.2 ex. b



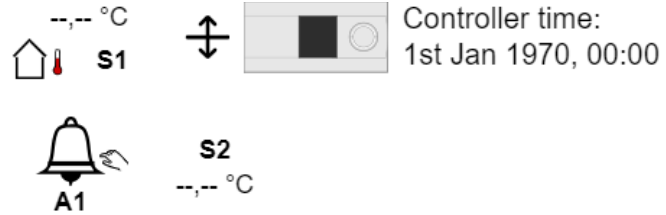
A214 2 ex. b

Leanheat® Monitor – A214.3 ex. a

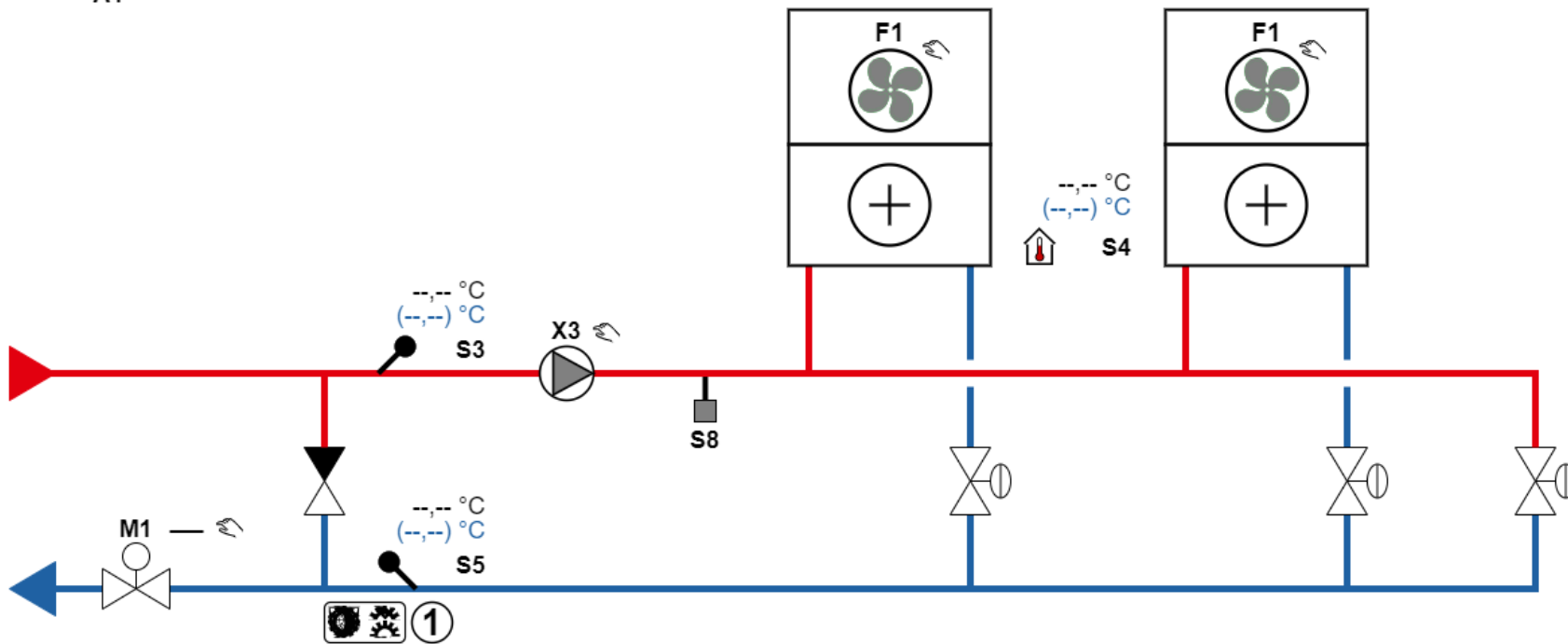


A214 3 ex. a

Leanheat® Monitor – A214.3 DKSC-B



Circuit description

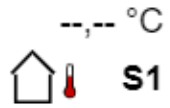


A214 3 DKSC-B

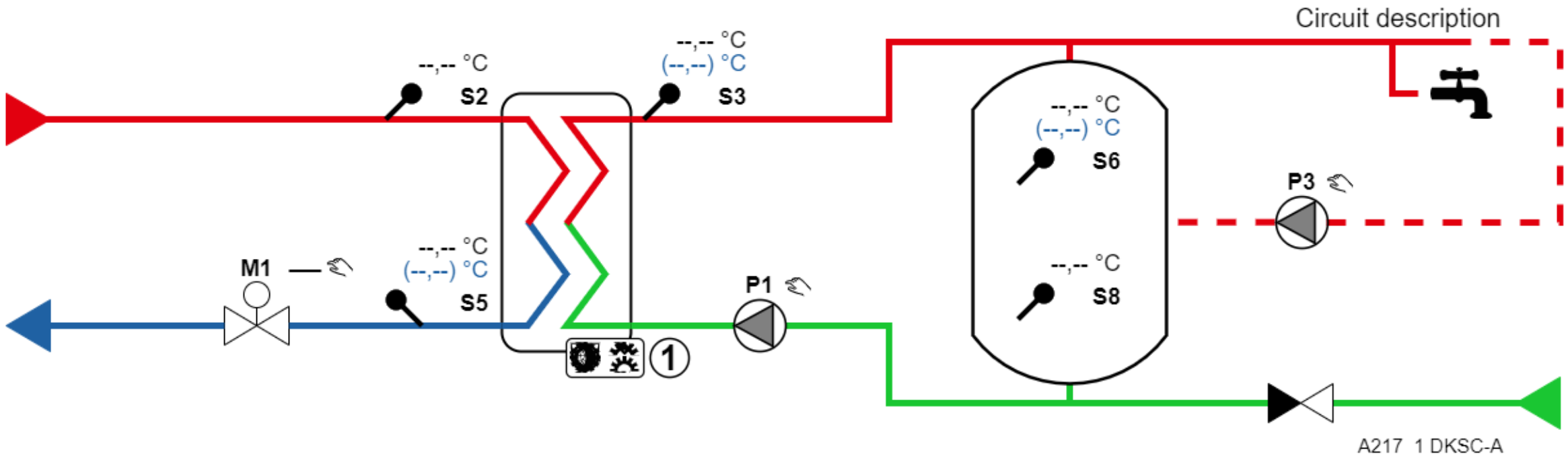
A217



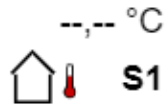
Leanheat® Monitor – A217.1 DKSC-A



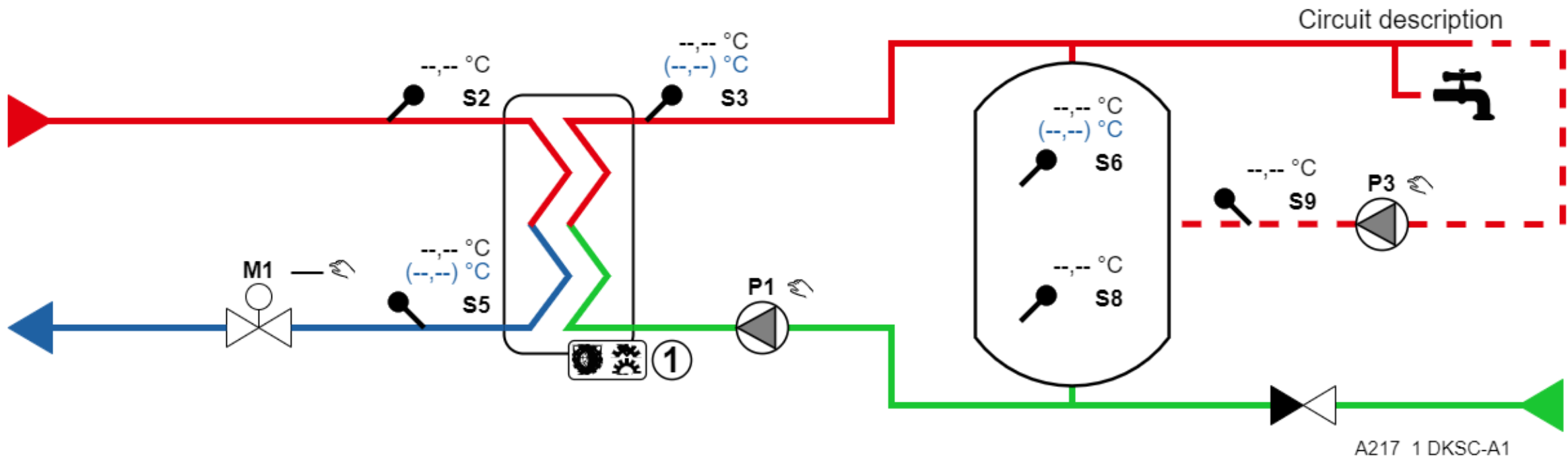
Controller time:
1st Jan 1970, 00:00



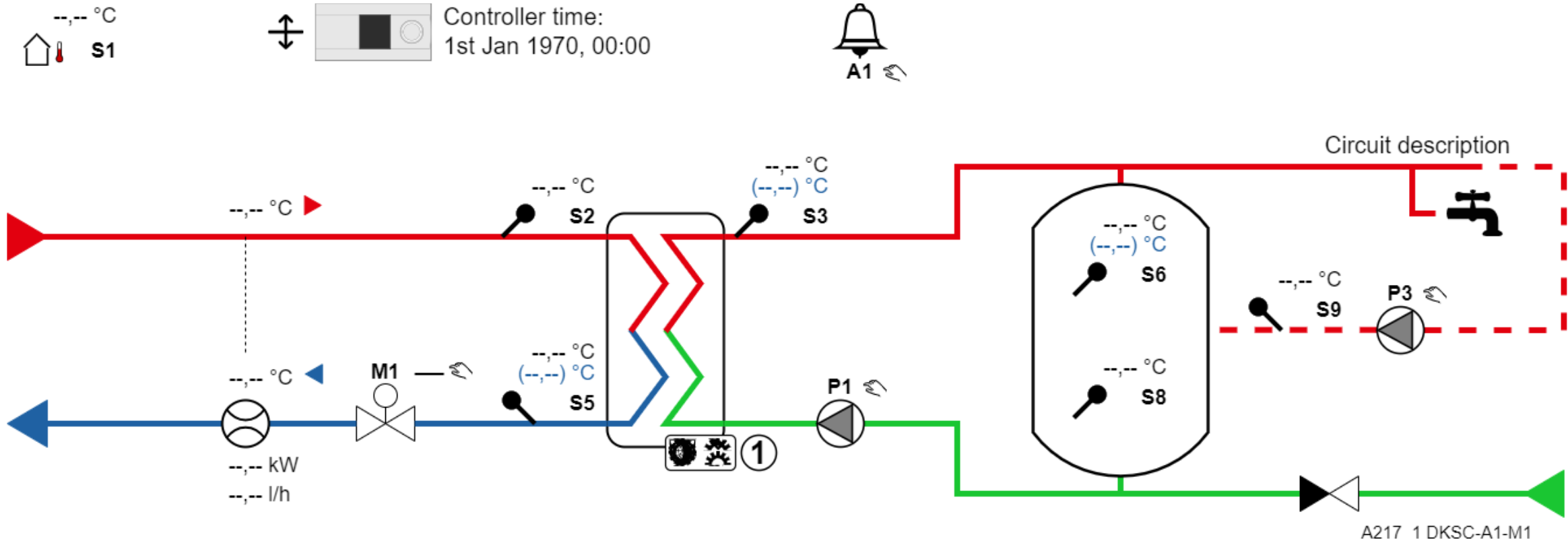
Leanheat® Monitor – A217.1 DKSC-A1



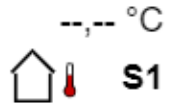
Controller time:
1st Jan 1970, 00:00



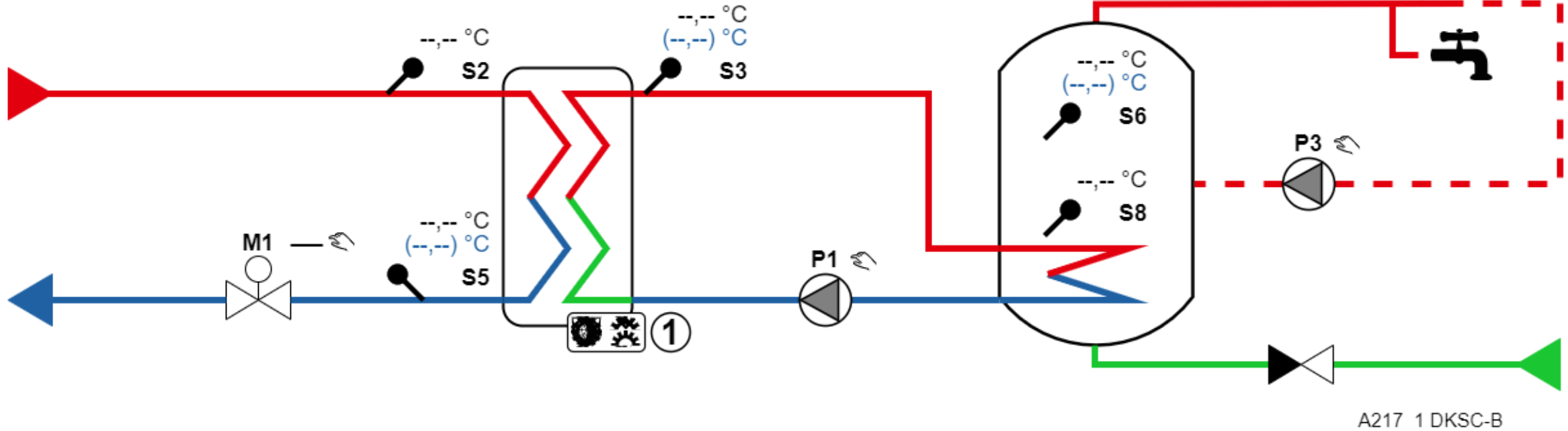
Leanheat® Monitor – A217.1 DKSC-A1-M1



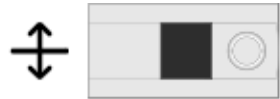
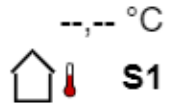
Leanheat® Monitor – A217.1 DKSC-B



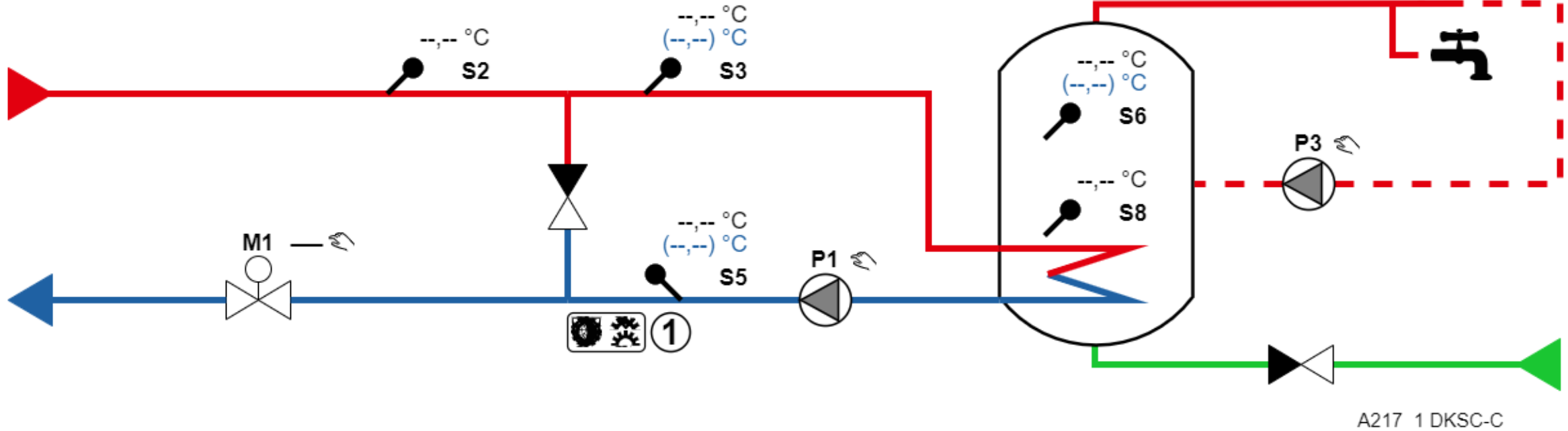
Controller time:
1st Jan 1970, 00:00



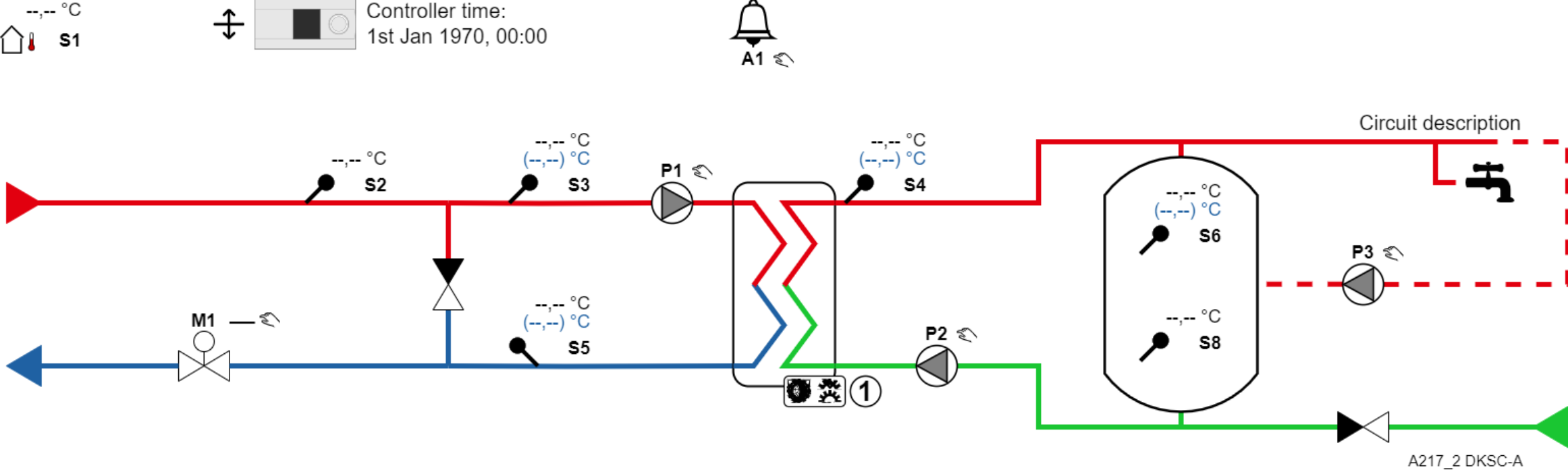
Leanheat® Monitor – A217.1 DKSC-C



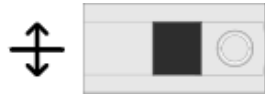
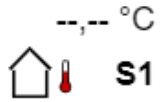
Controller time:
1st Jan 1970, 00:00



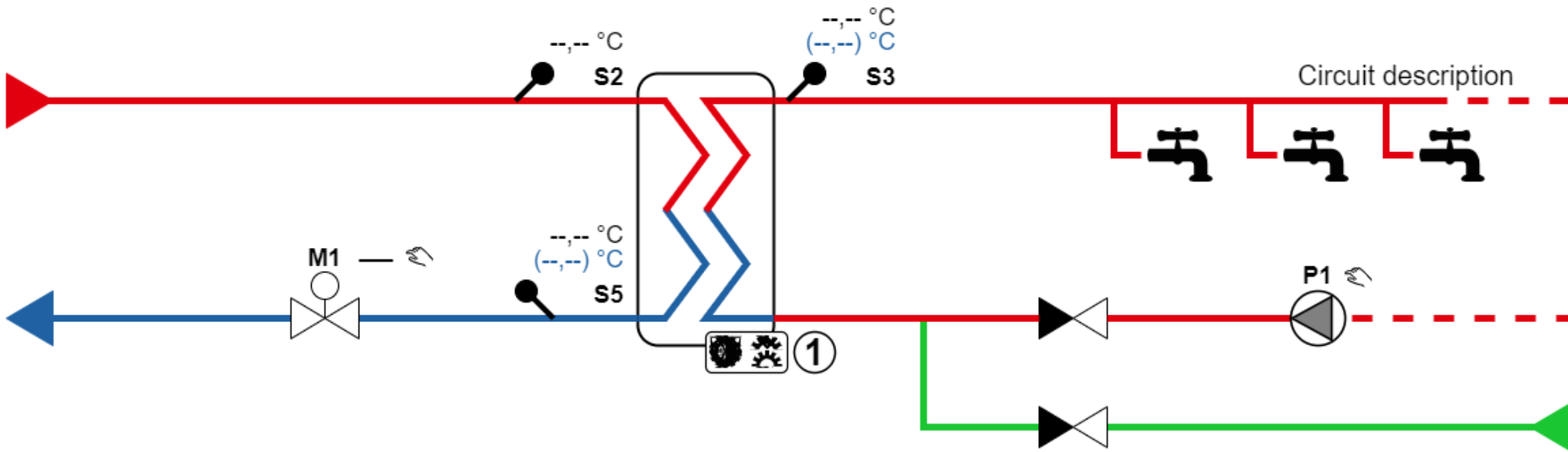
Leanheat® Monitor – A217.2 DKSC-A



Leanheat® Monitor – A217.3 DKSC-A



Controller time:
1st Jan 1970, 00:00

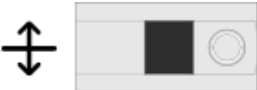


A217 3 DKSC-A

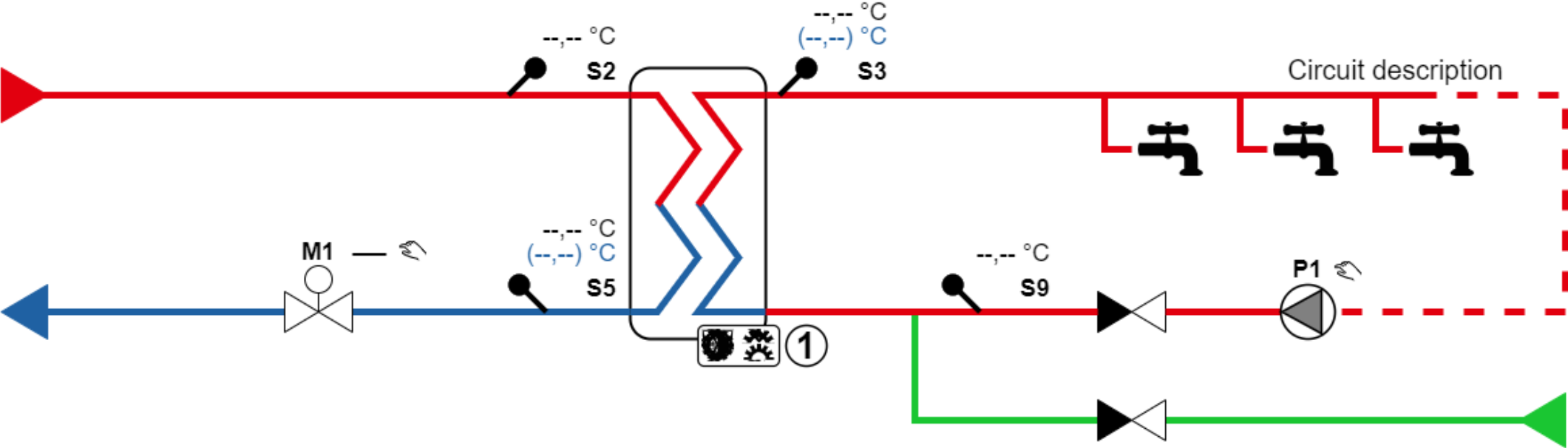
Leanheat® Monitor – A217.3 DKSC-A1



--- °C
S1

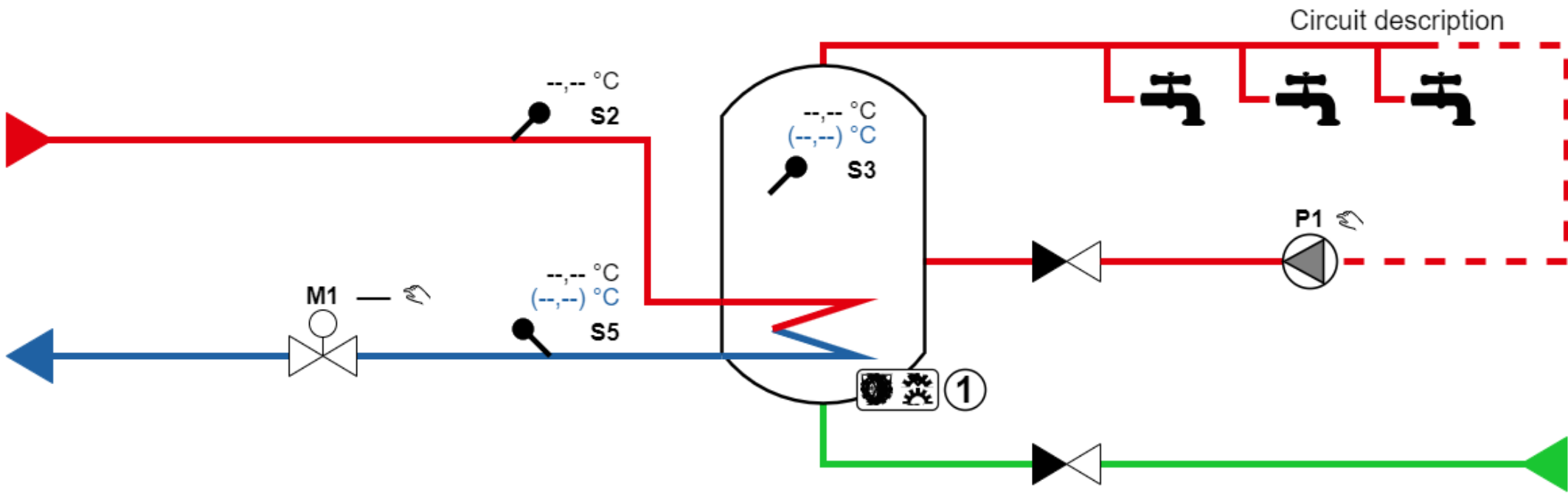
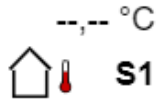


Controller time:
1st Jan 1970, 00:00



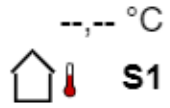
A217 3 DKSC-A1

Leanheat® Monitor – A217.3 DKSC-D

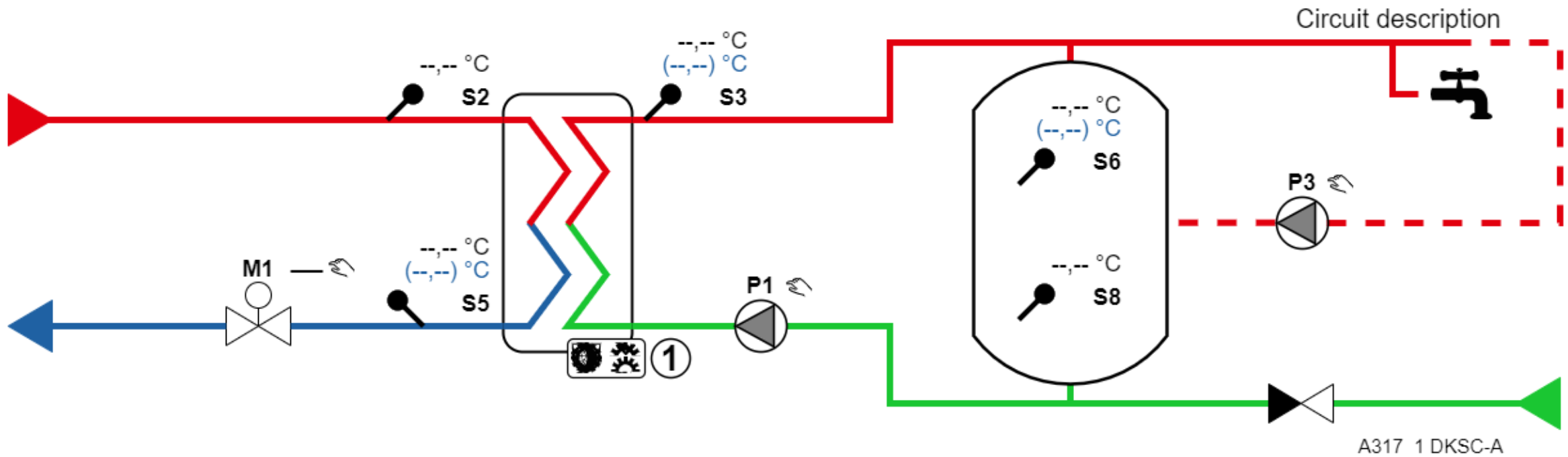


A217 3 DKSC-D

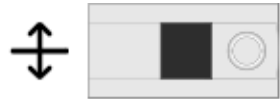
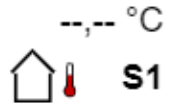
Leanheat® Monitor – A317.1 DKSC-A



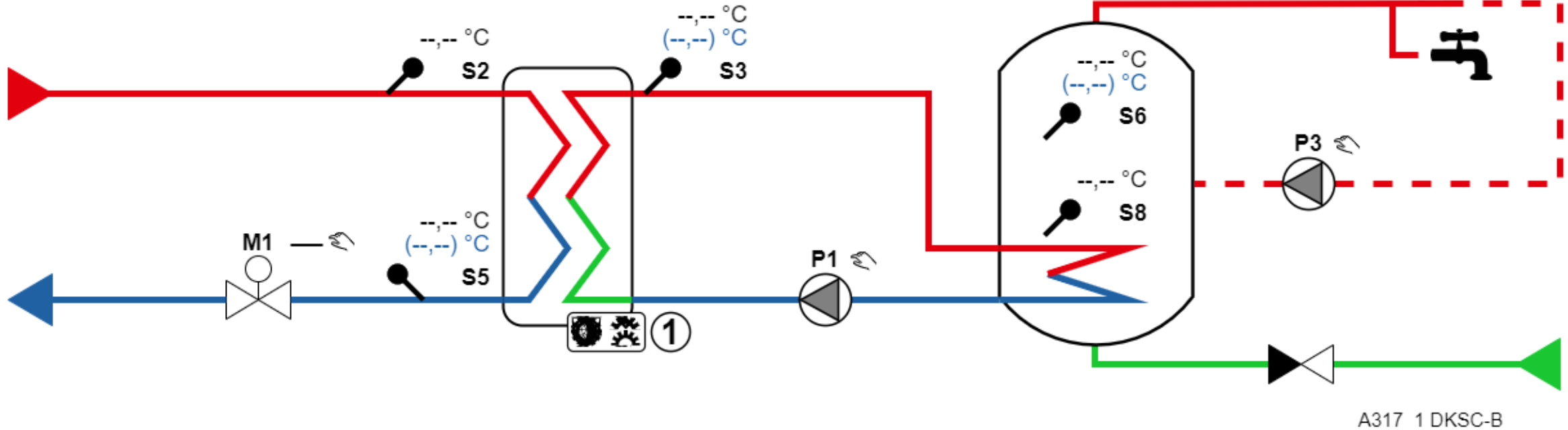
Controller time:
1st Jan 1970, 00:00



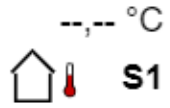
Leanheat® Monitor – A317.1 DKSC-B



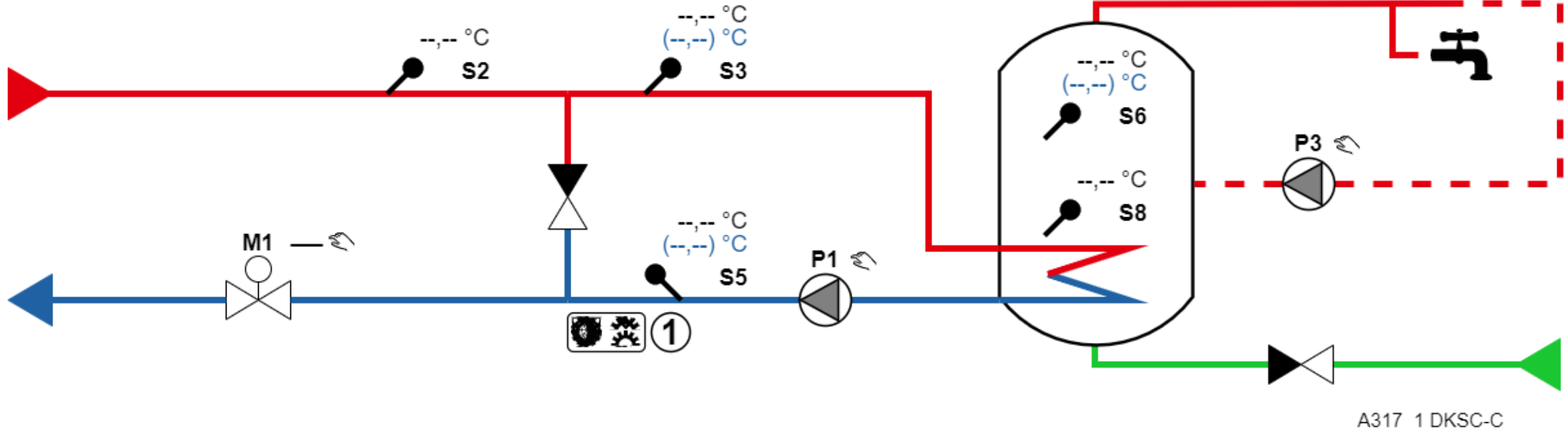
Controller time:
1st Jan 1970, 00:00



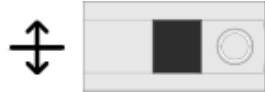
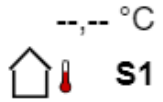
Leanheat® Monitor – A317.1 DKSC-C



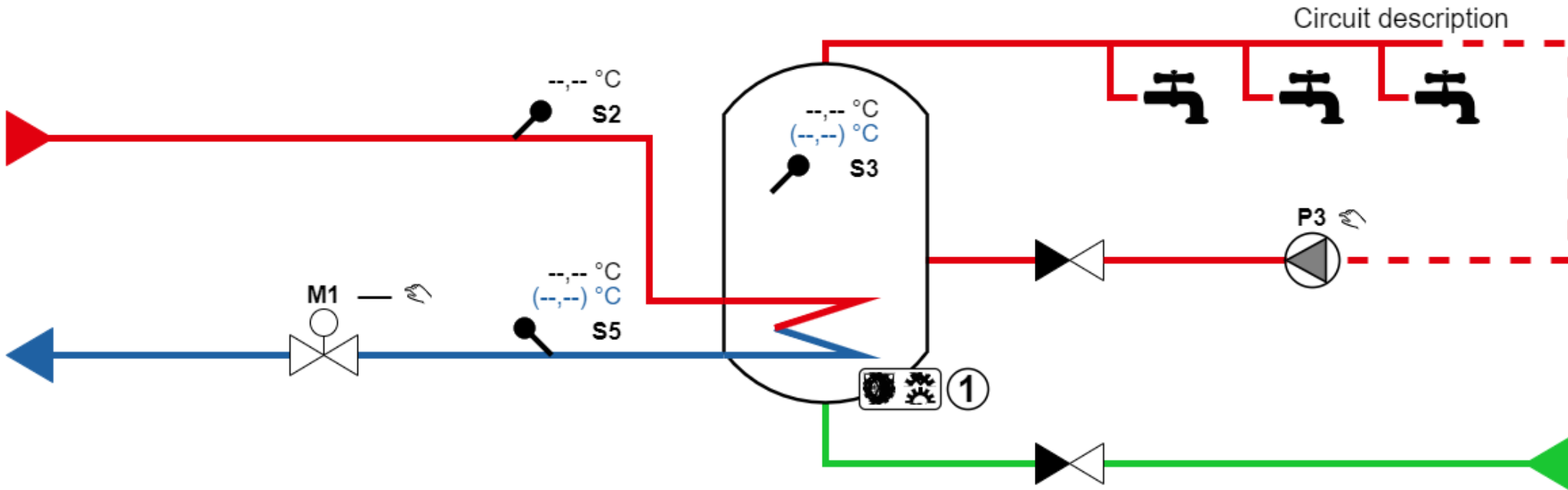
Controller time:
1st Jan 1970, 00:00



Leanheat® Monitor – A317.1 DKSC-D

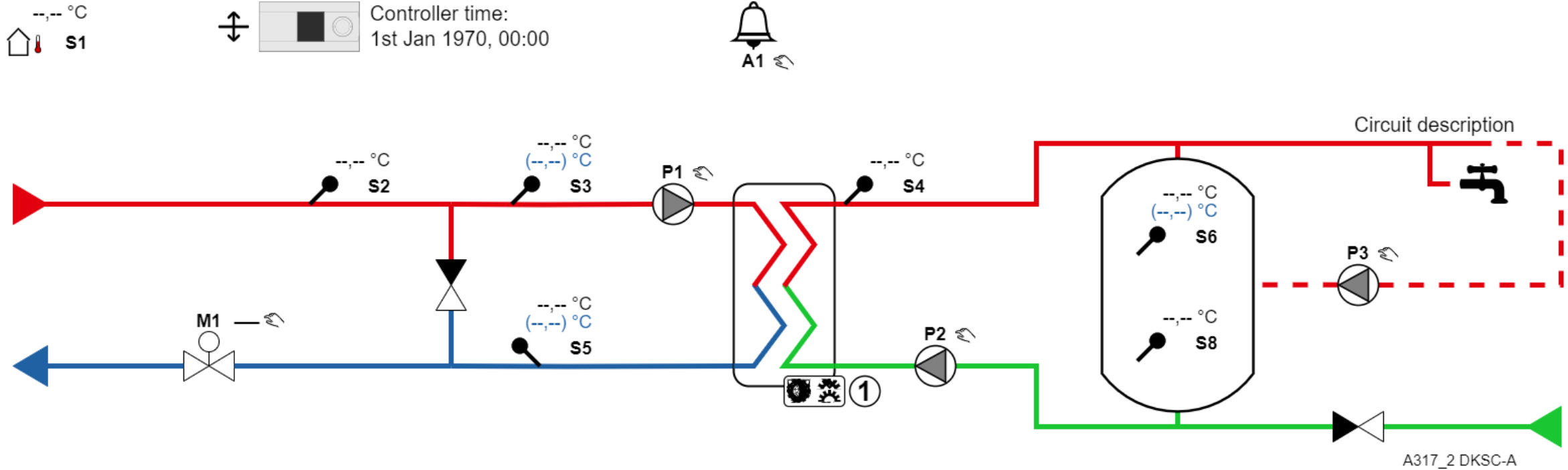


Controller time:
1st Jan 1970, 00:00

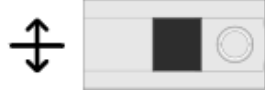
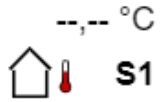


A317 1 DKSC-D

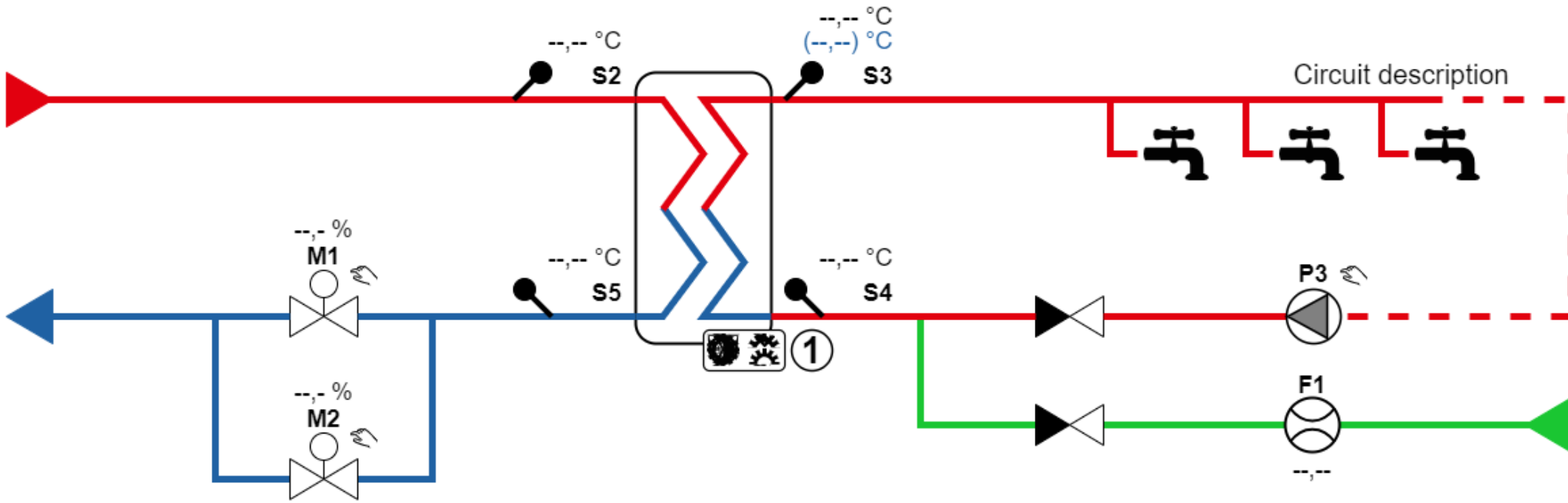
Leanheat® Monitor – A317.2 DKSC-A



Leanheat® Monitor – A317.3 DKSC-A



Controller time:
1st Jan 1970, 00:00

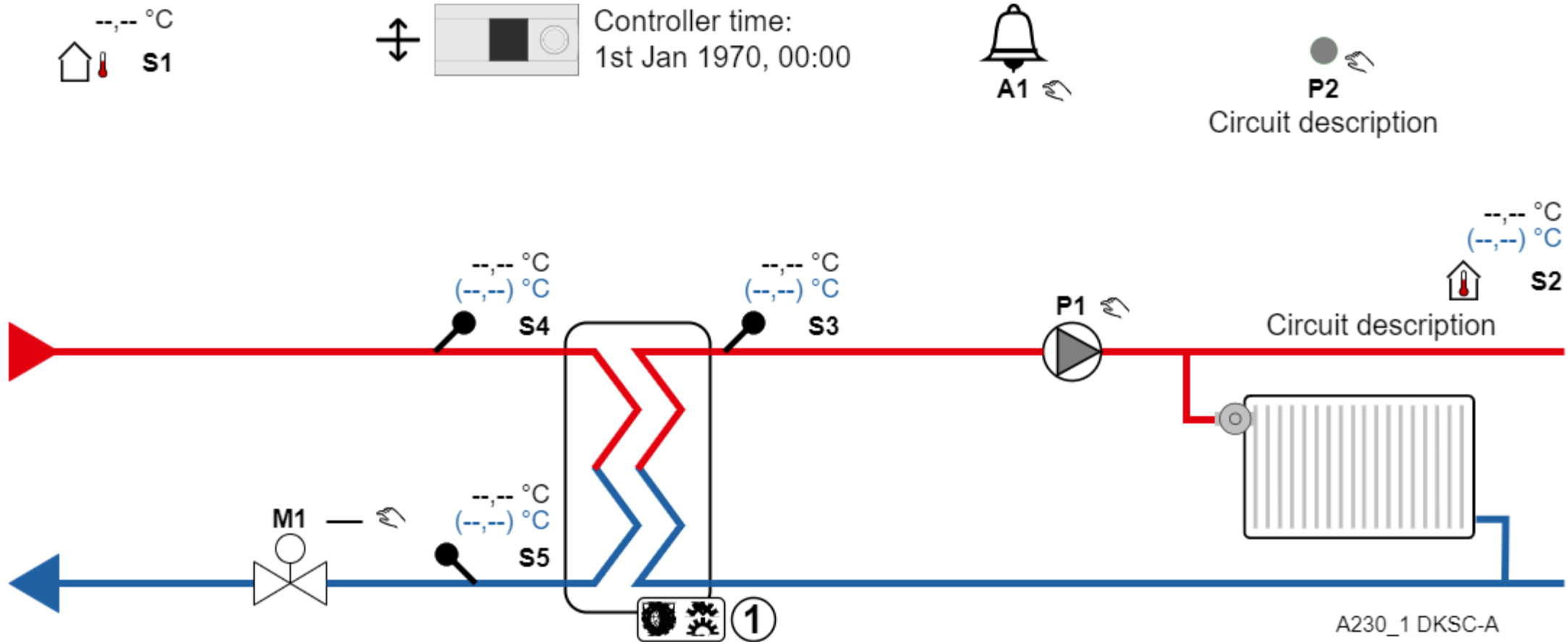


A317 3 DKSC-A

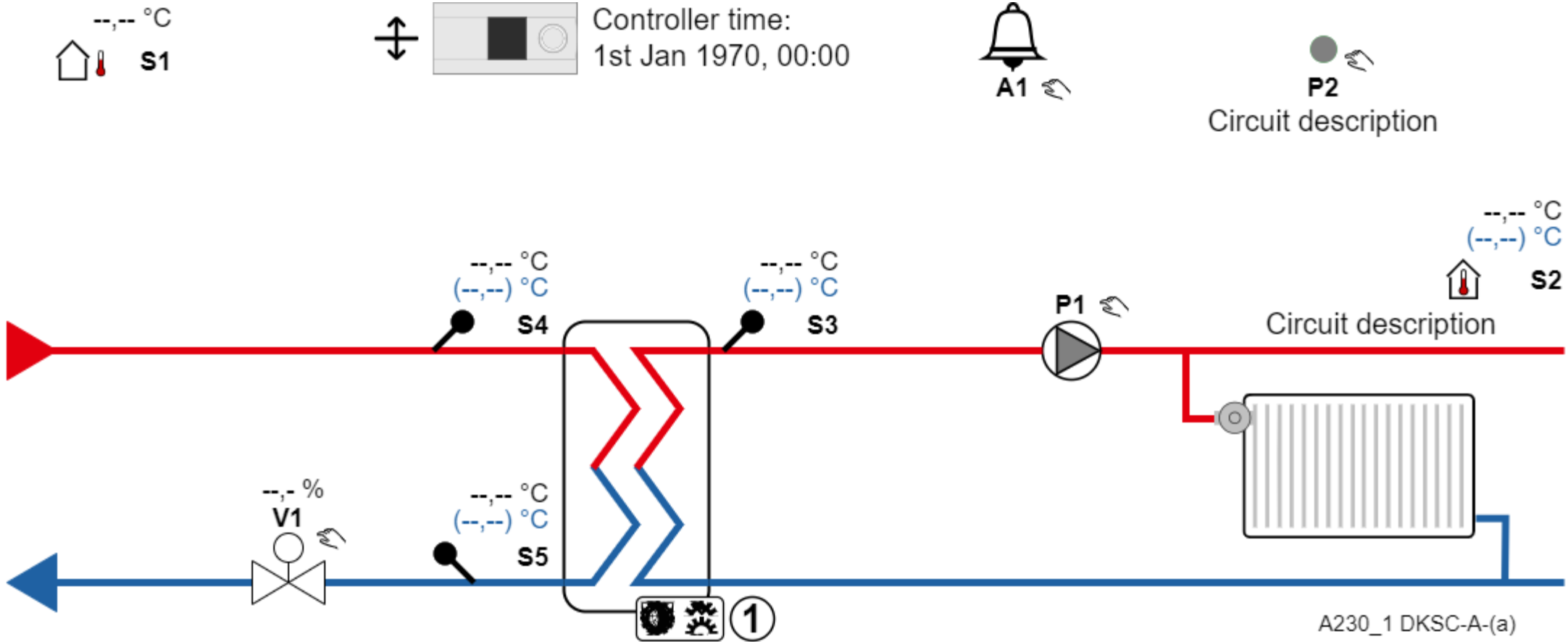
A230



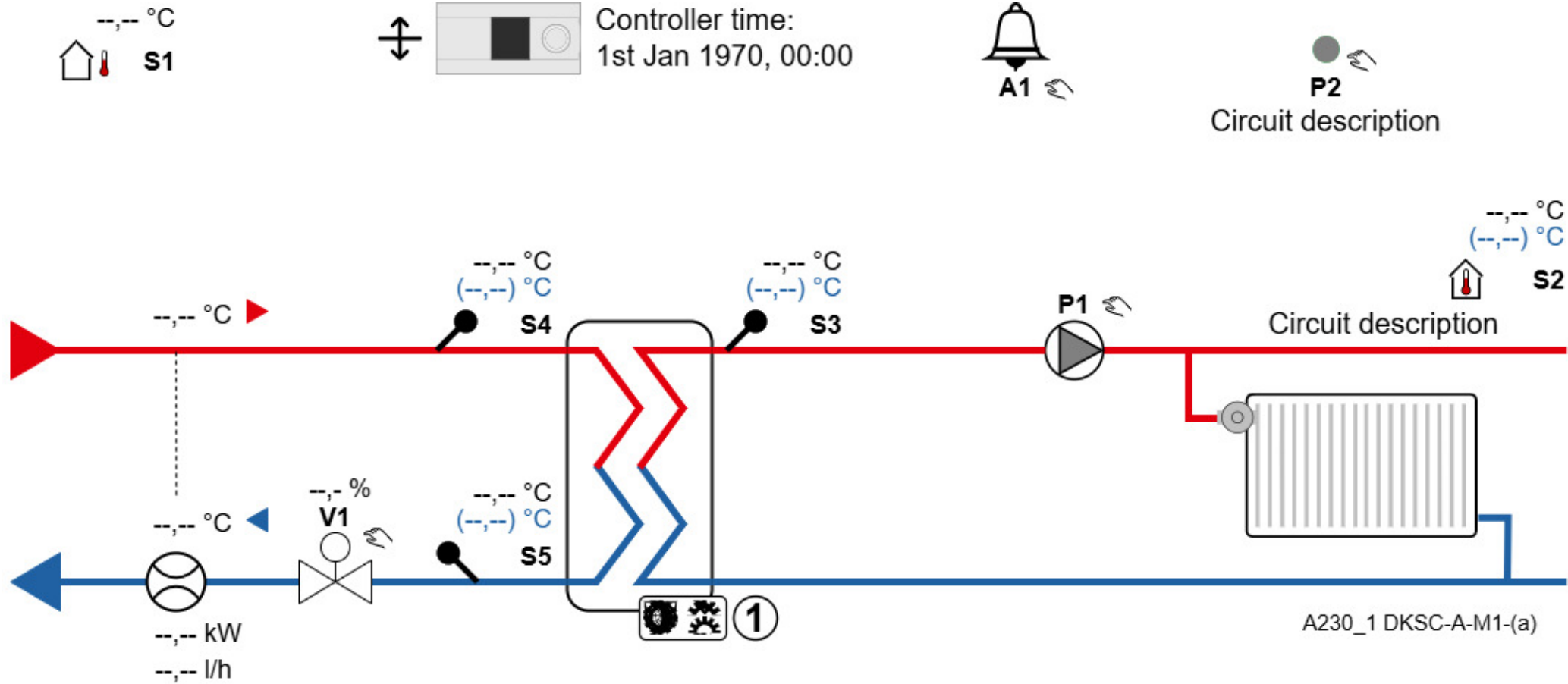
Leanheat[®] Monitor – A230.1 DKSC-A



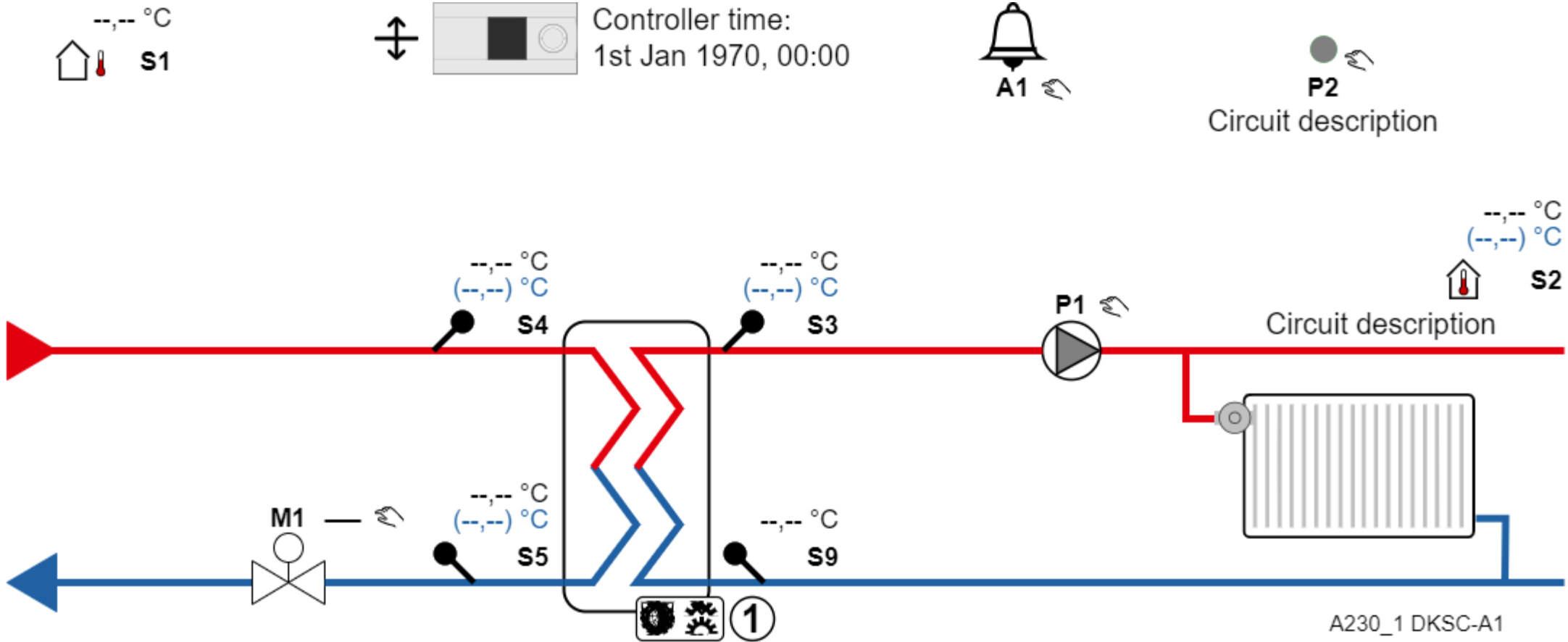
Leanheat® Monitor – A230.1 DKSC-A-(a)



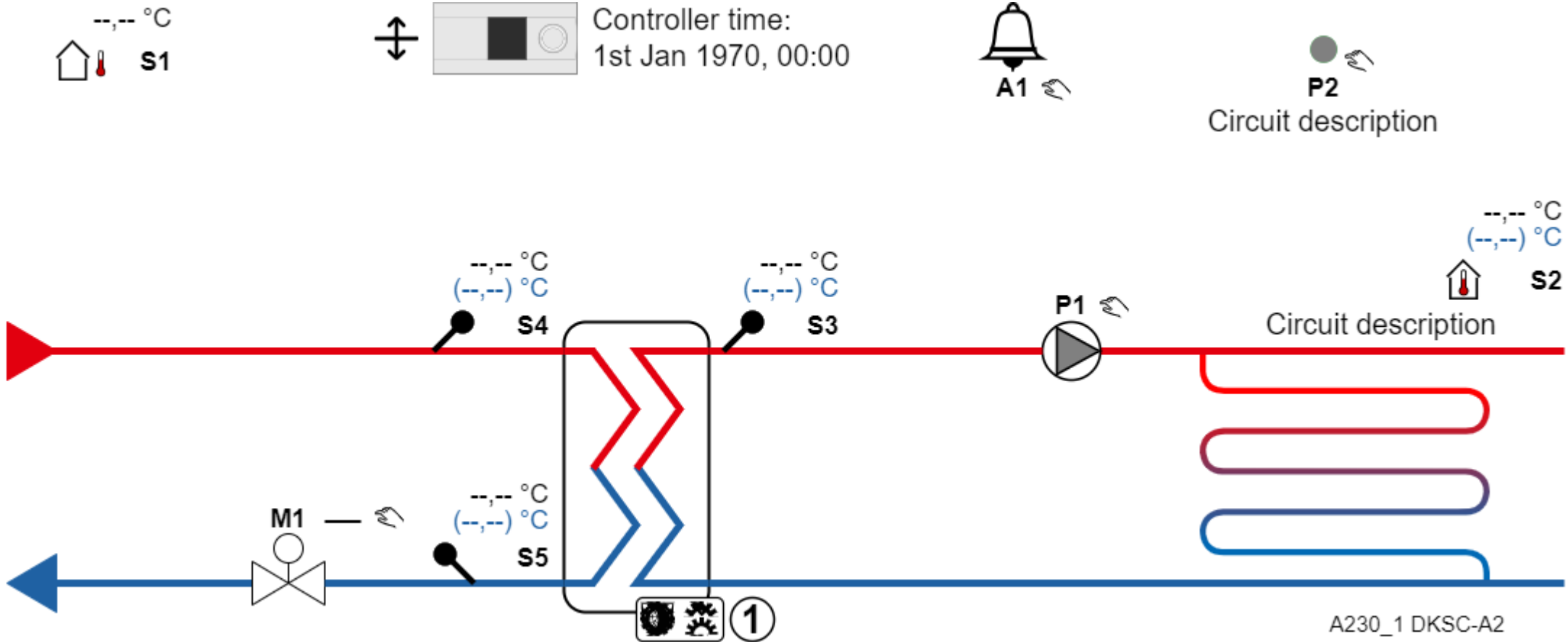
Leanheat® Monitor – A230.1 DKSC-A-M1-(a)



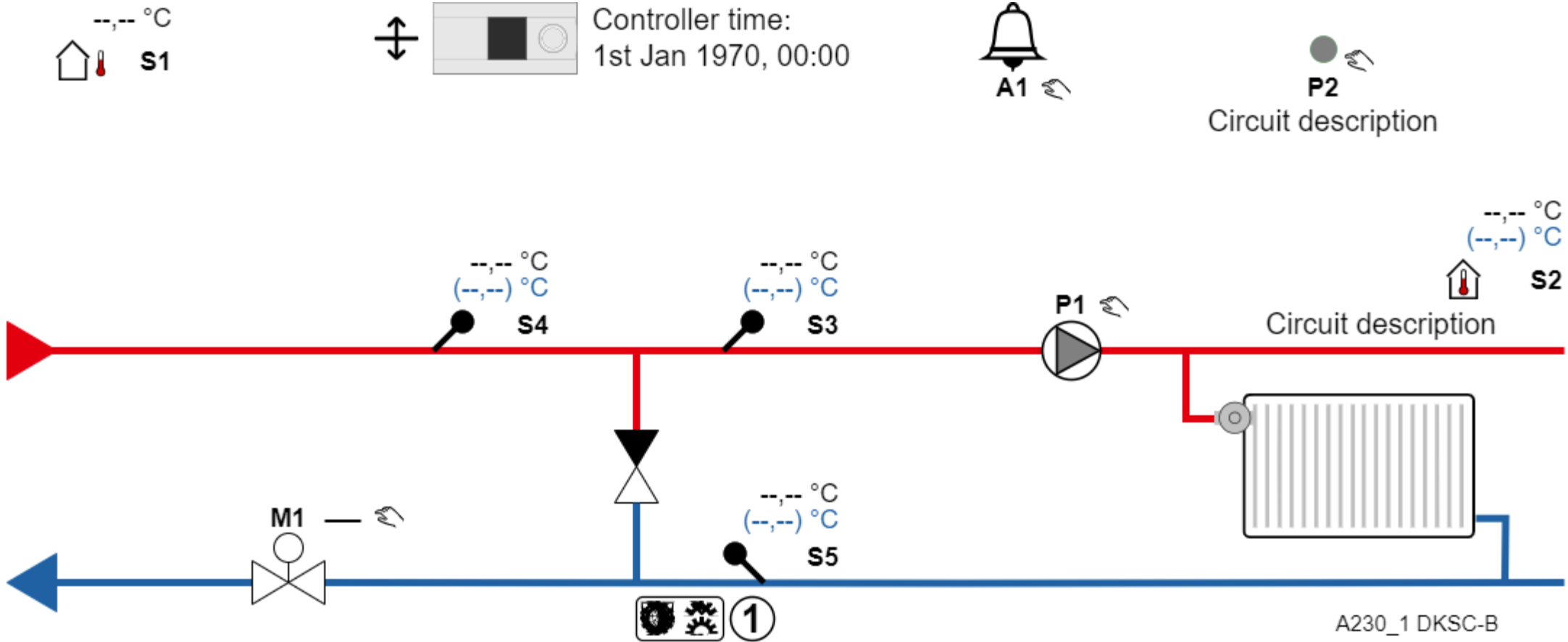
Leanheat® Monitor – A230.1 DKSC-A1



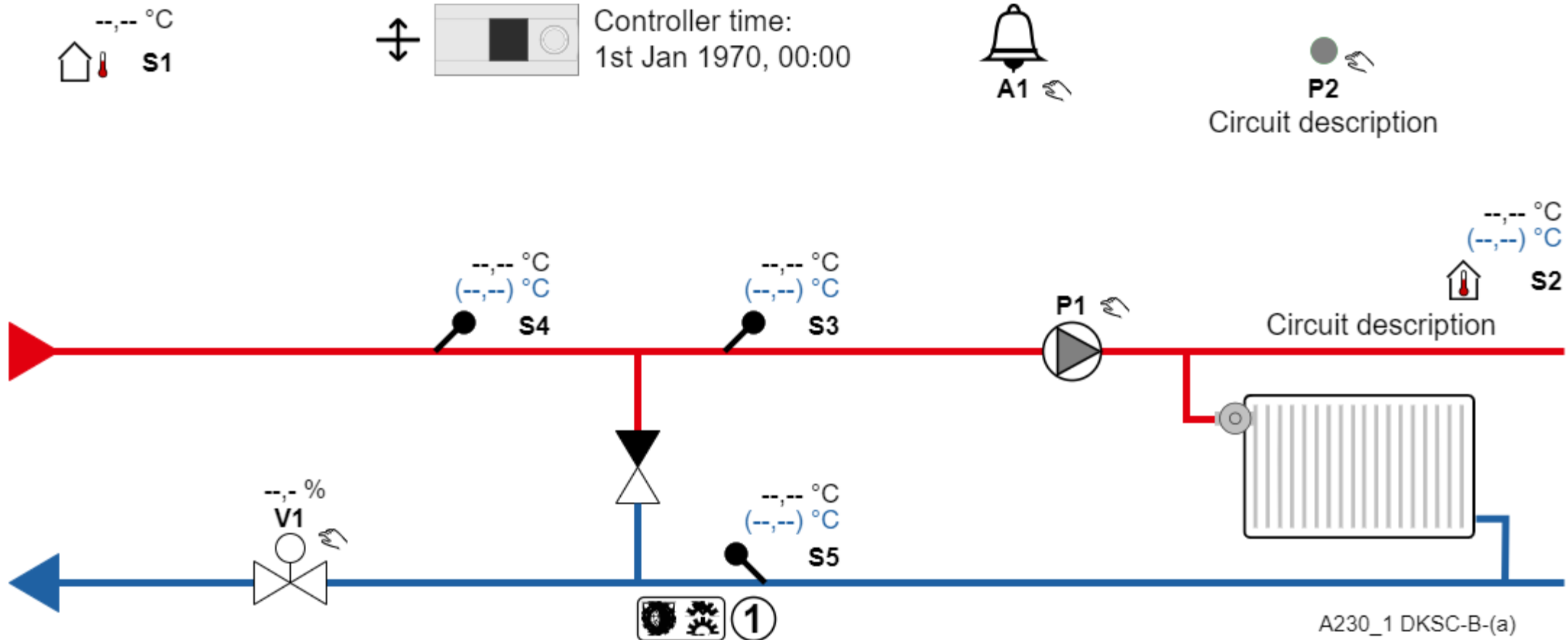
Leanheat® Monitor – A230.1 DKSC-A2



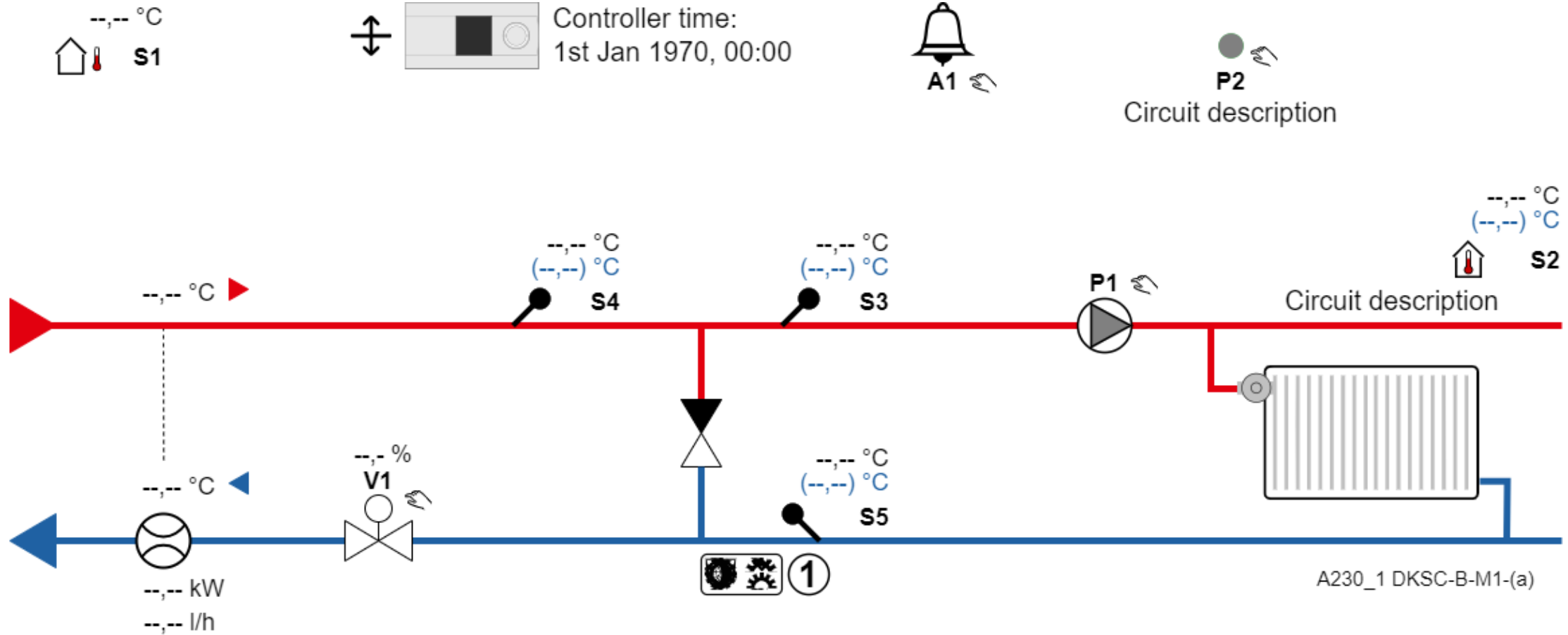
Leanheat® Monitor – A230.1 DKSC-B



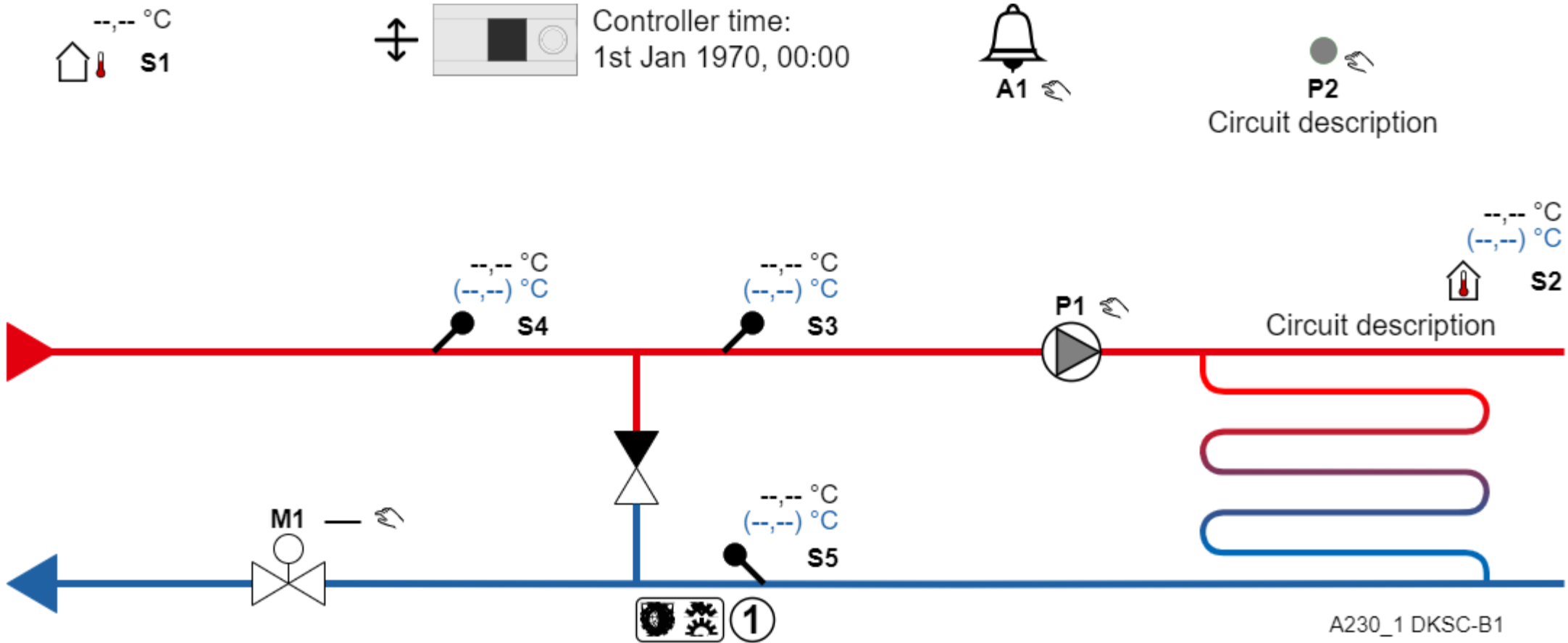
Leanheat® Monitor – A230.1 DKSC-B-(a)



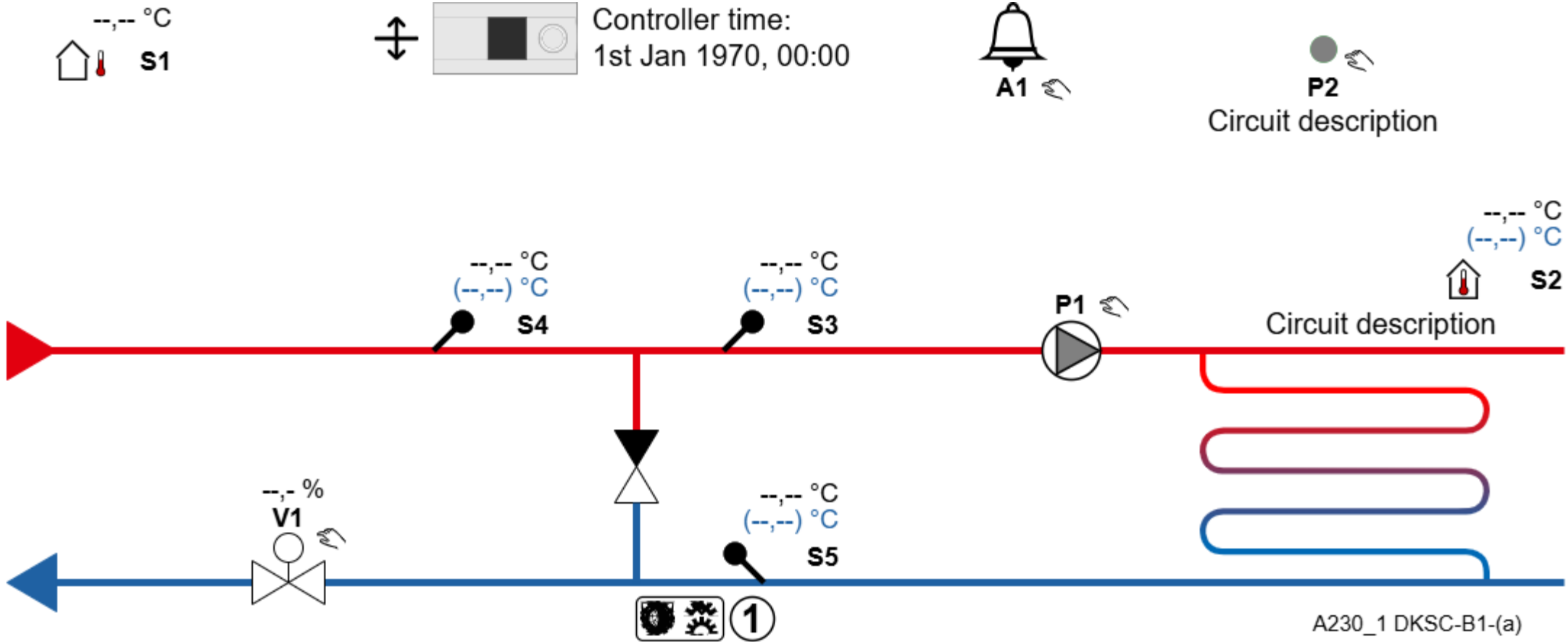
Leanheat® Monitor – A230.1 DKSC-B-M1-(a)



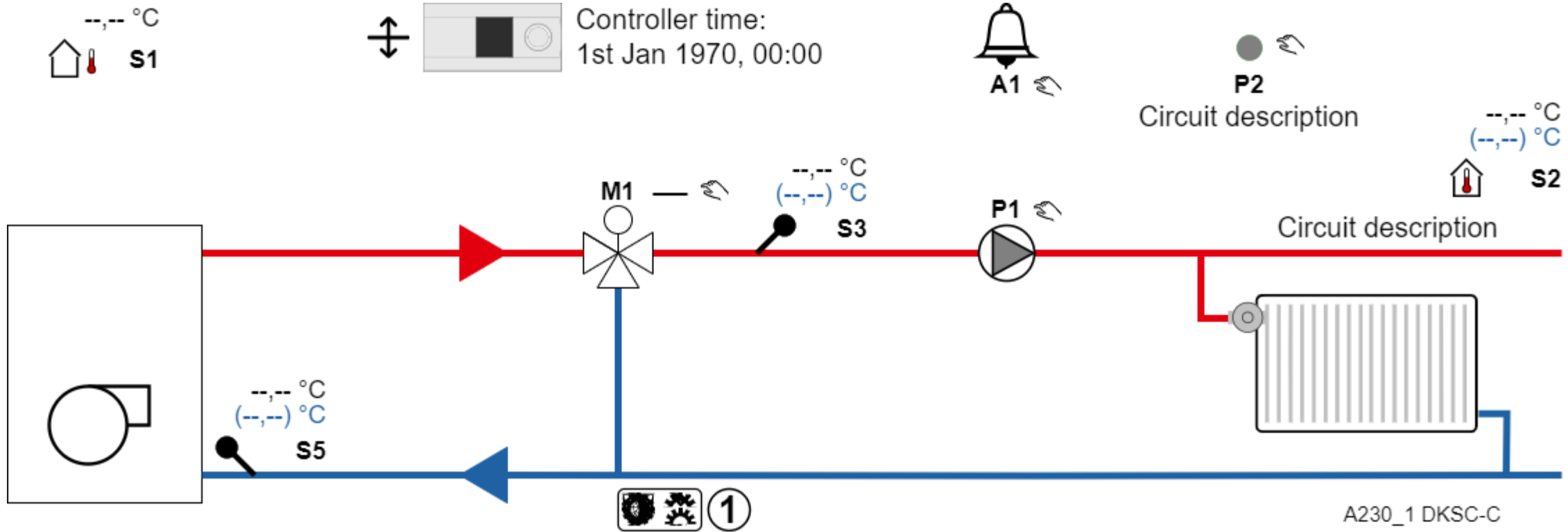
Leanheat® Monitor – A230.1 DKSC-B1



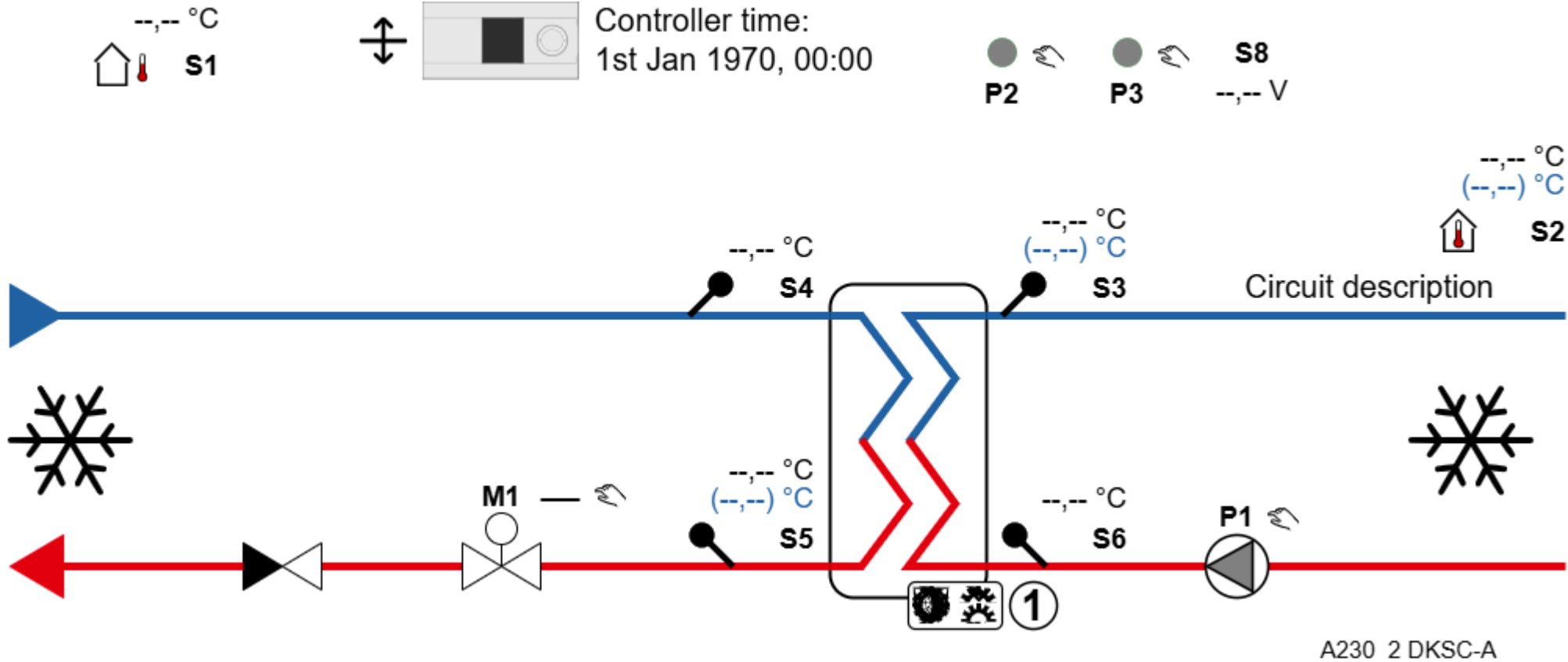
Leanheat® Monitor – A230.1 DKSC-B1-(a)



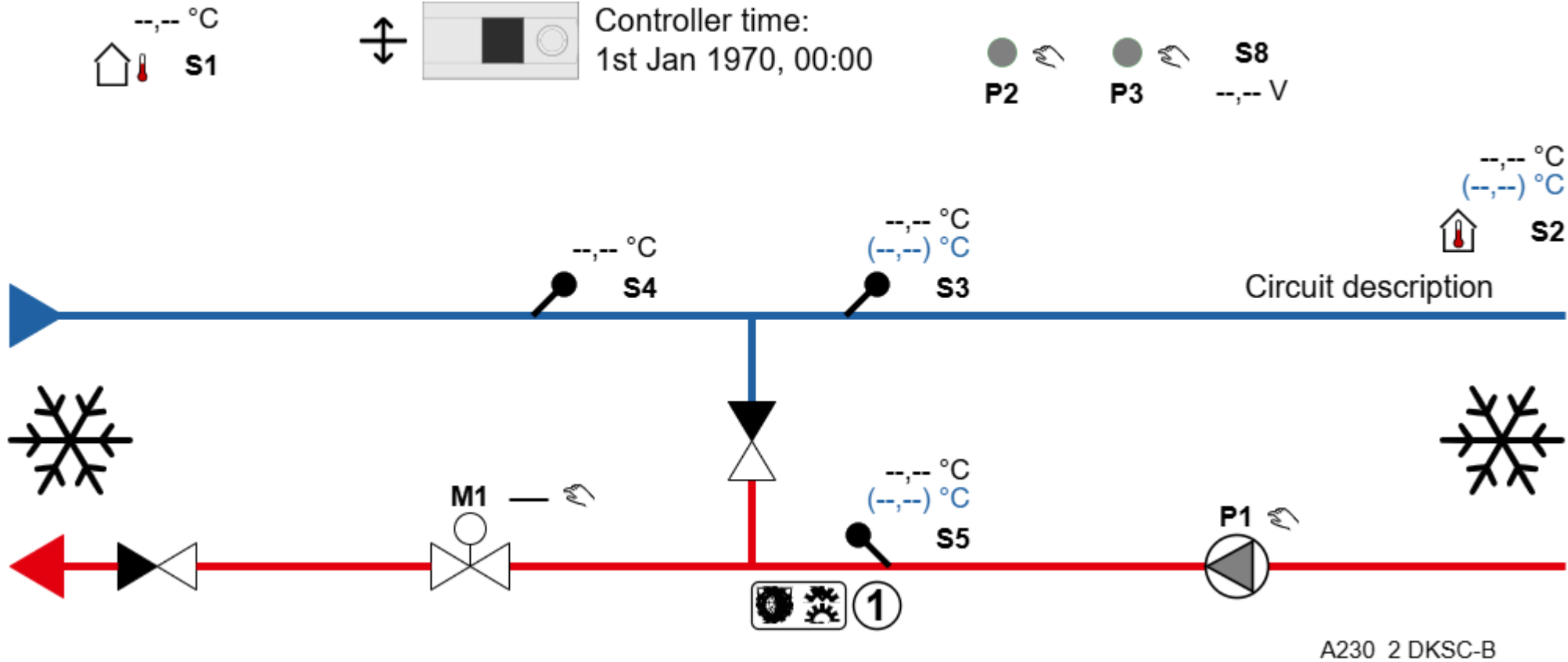
Leanheat® Monitor – A230.1 DKSC-C



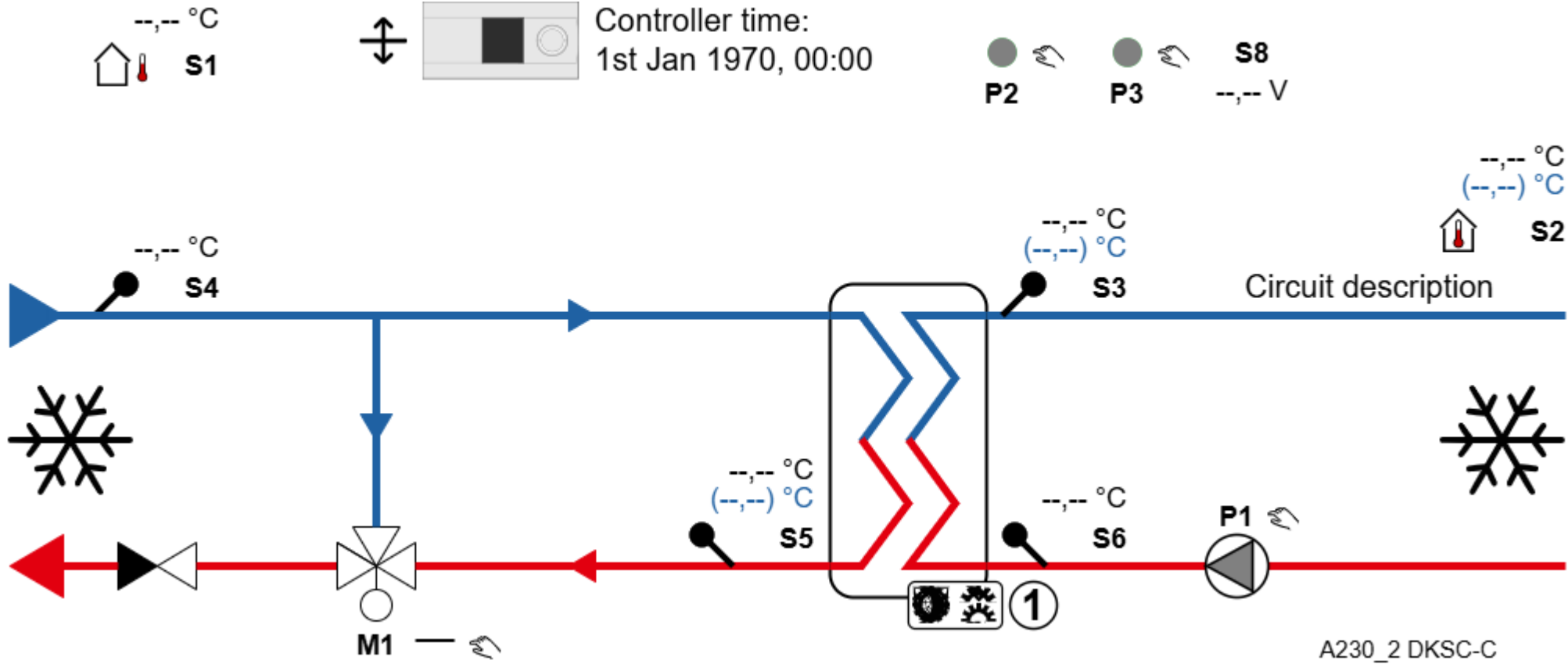
Leanheat® Monitor – A230.2 DKSC-A



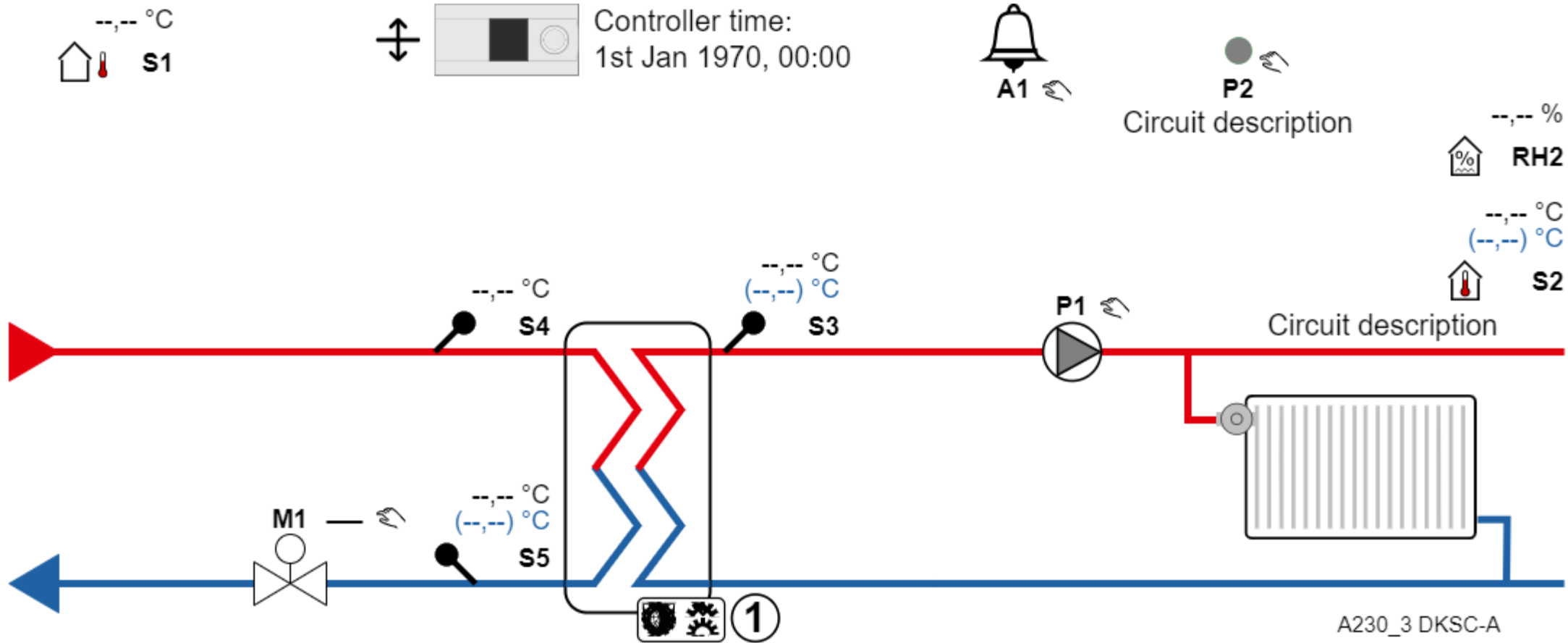
Leanheat® Monitor – A230.2 DKSC-B



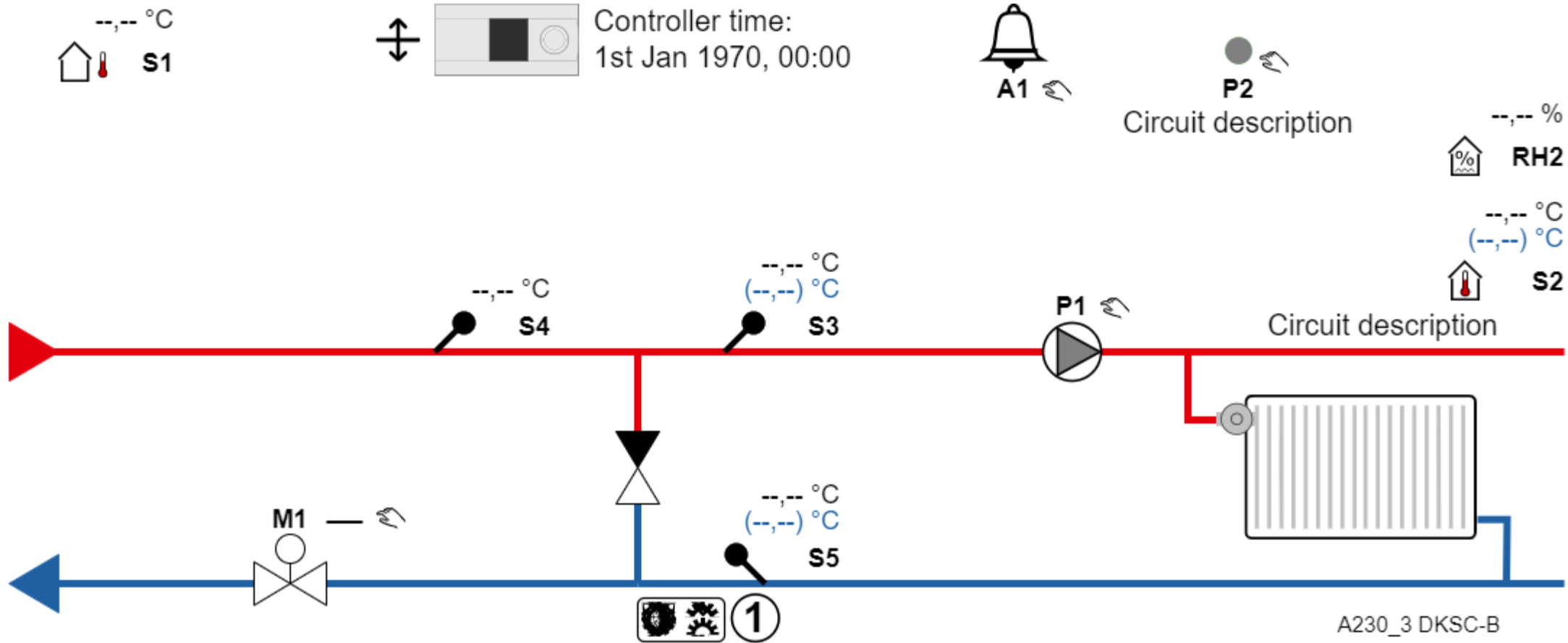
Leanheat® Monitor – A230.2 DKSC-C



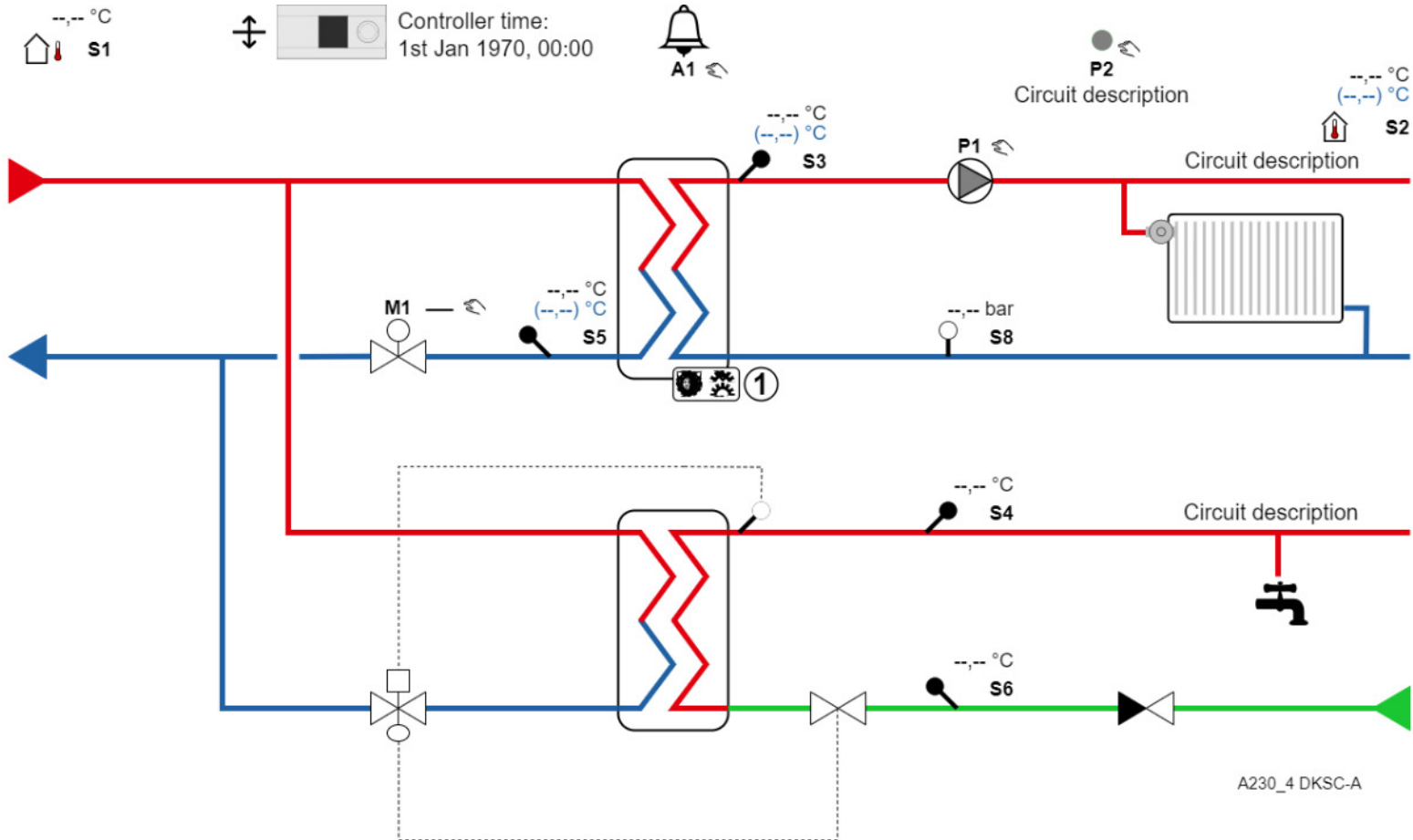
Leanheat® Monitor – A230.3 DKSC-A



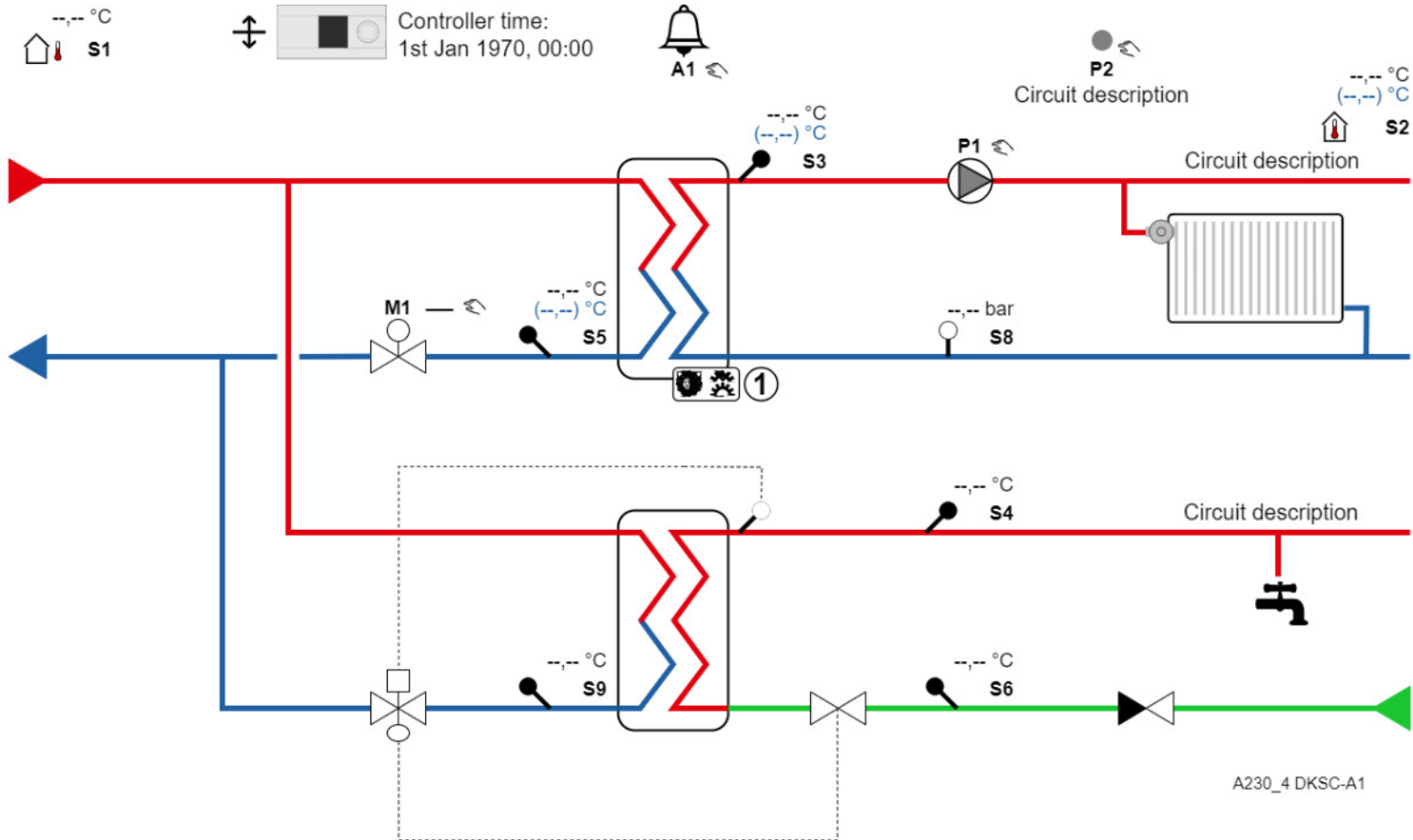
Leanheat® Monitor – A230.3 DKSC-B



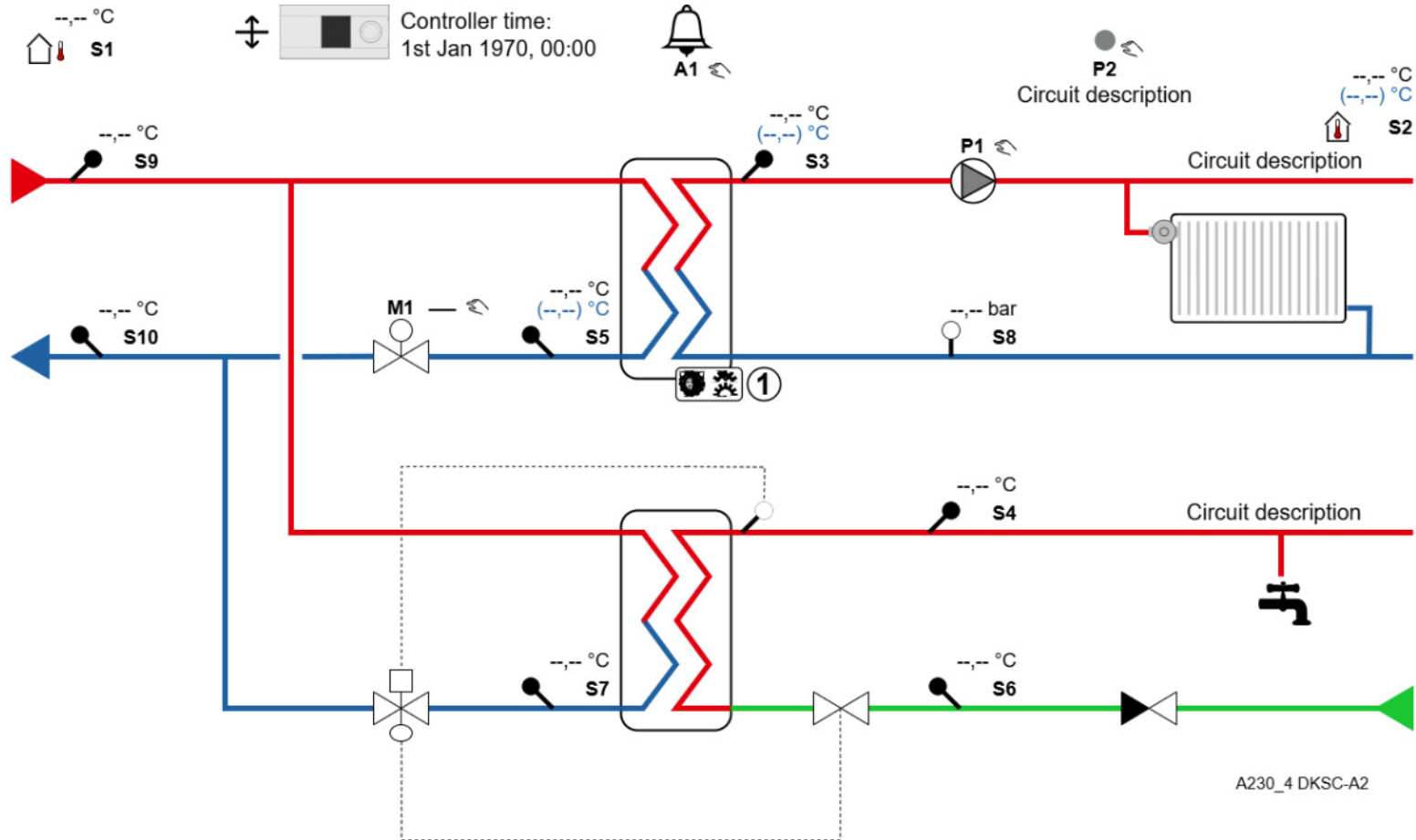
Leanheat® Monitor – A230.4 DKSC-A



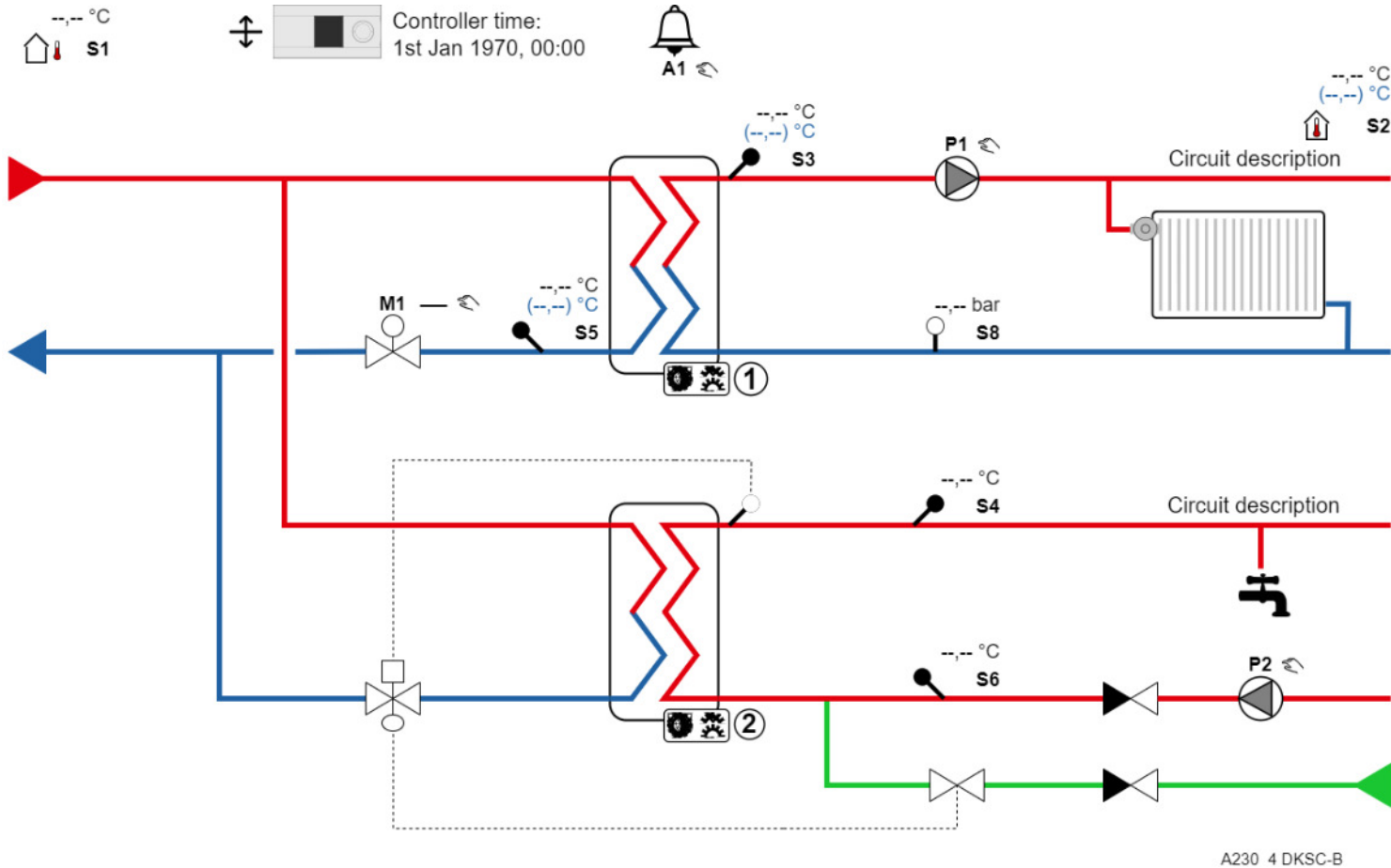
Leanheat® Monitor – A230.4 DKSC-A1



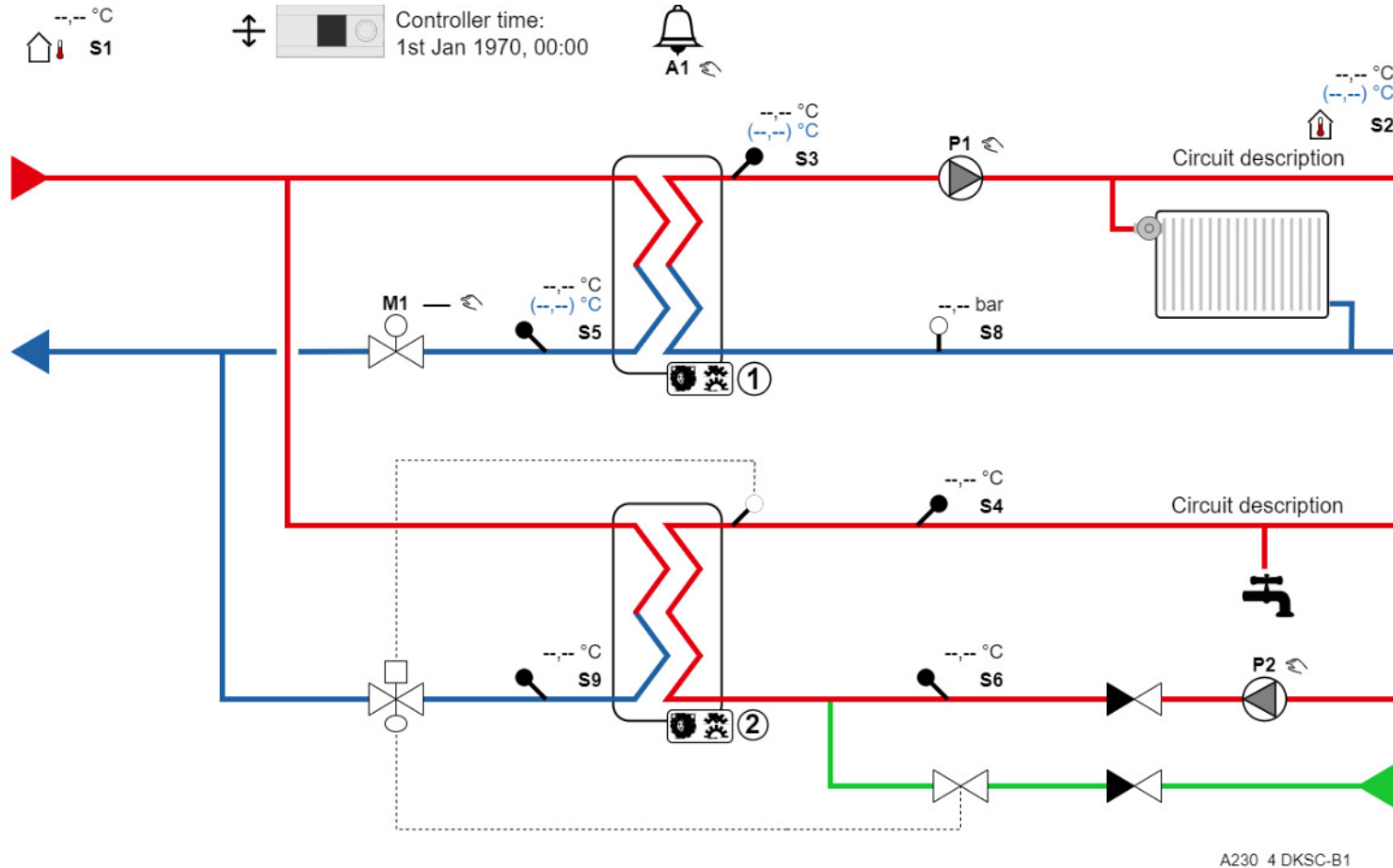
Leanheat® Monitor – A230.4 DKSC-A2



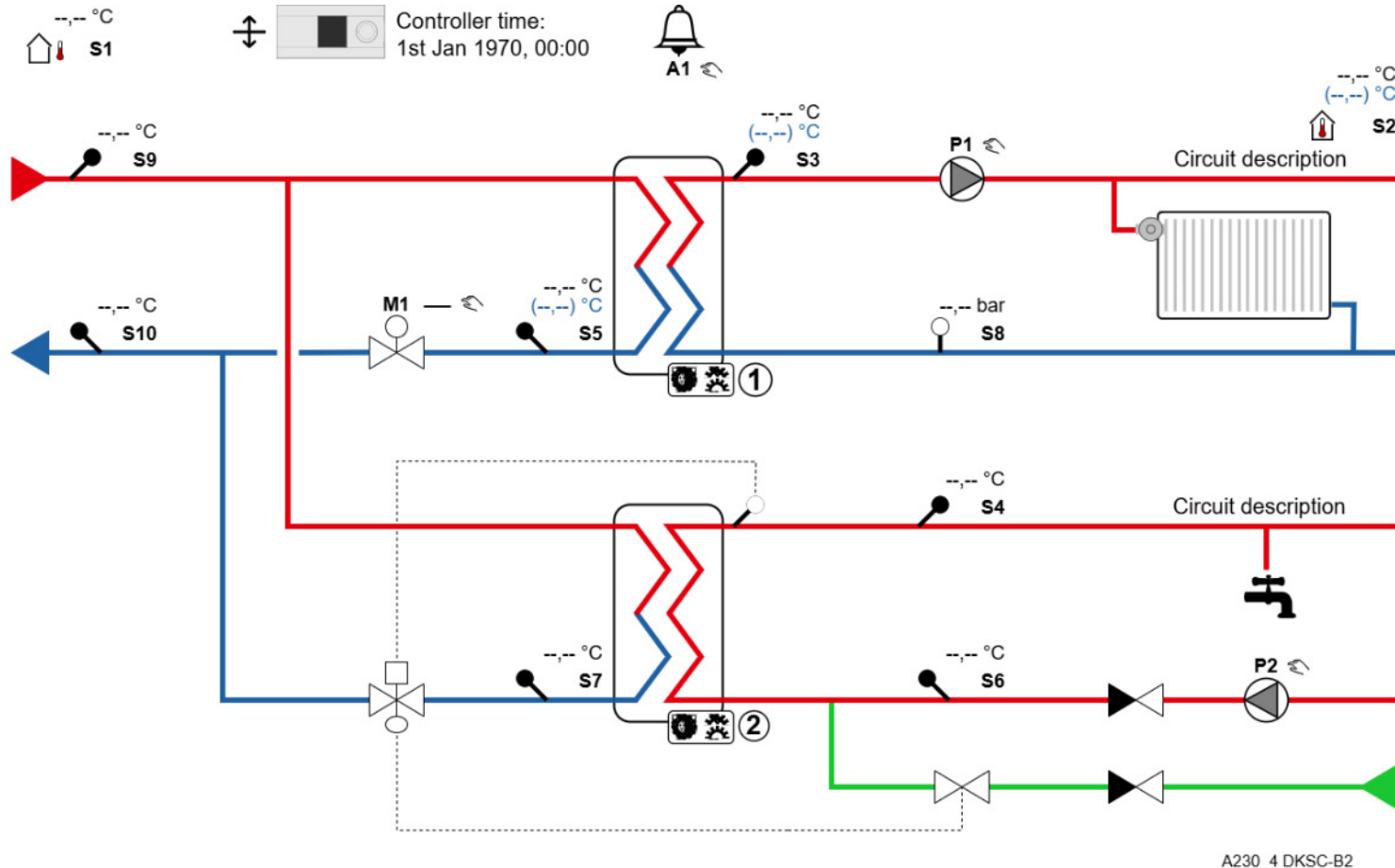
Leanheat® Monitor – A230.4 DKSC-B



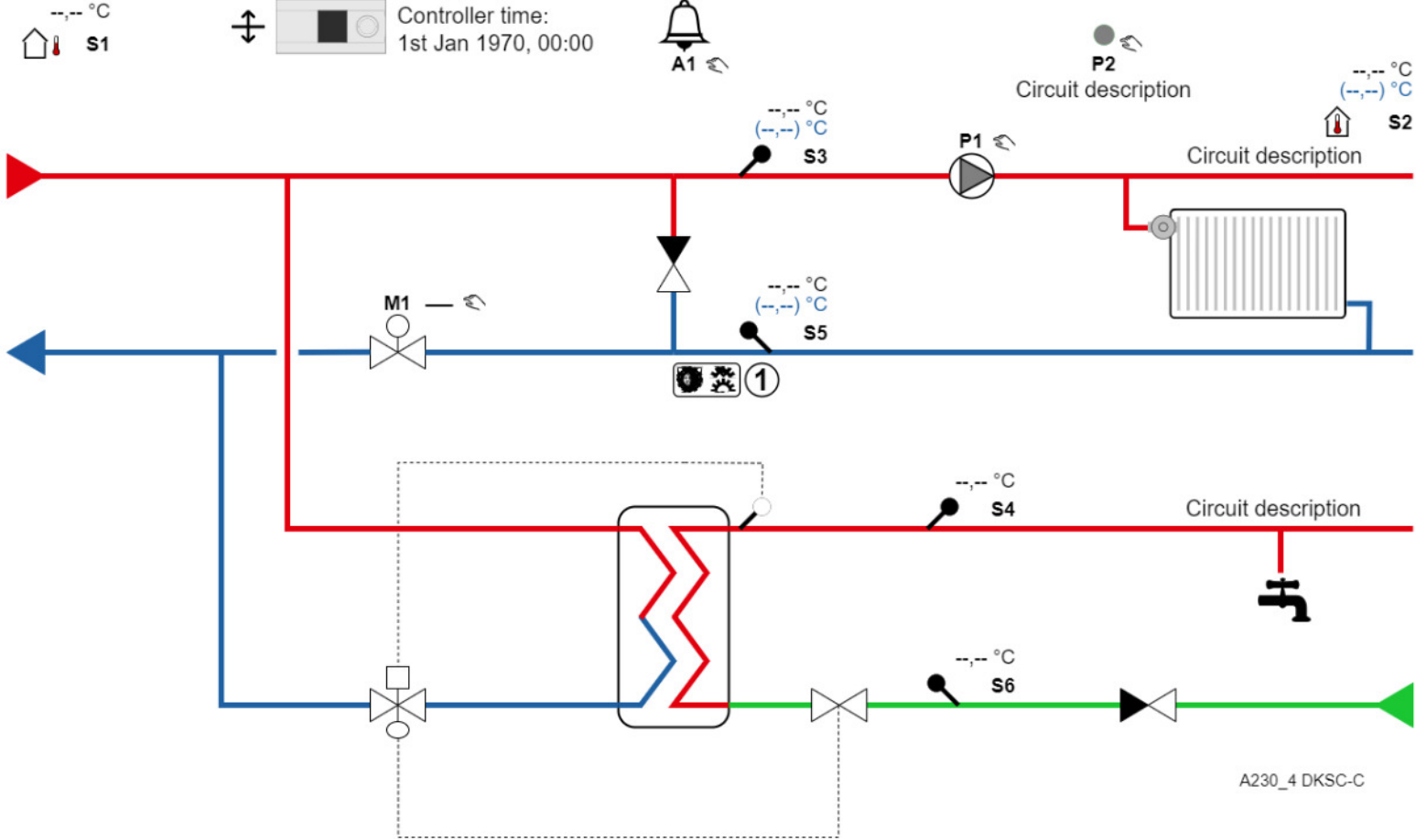
Leanheat® Monitor – A230.4 DKSC-B1



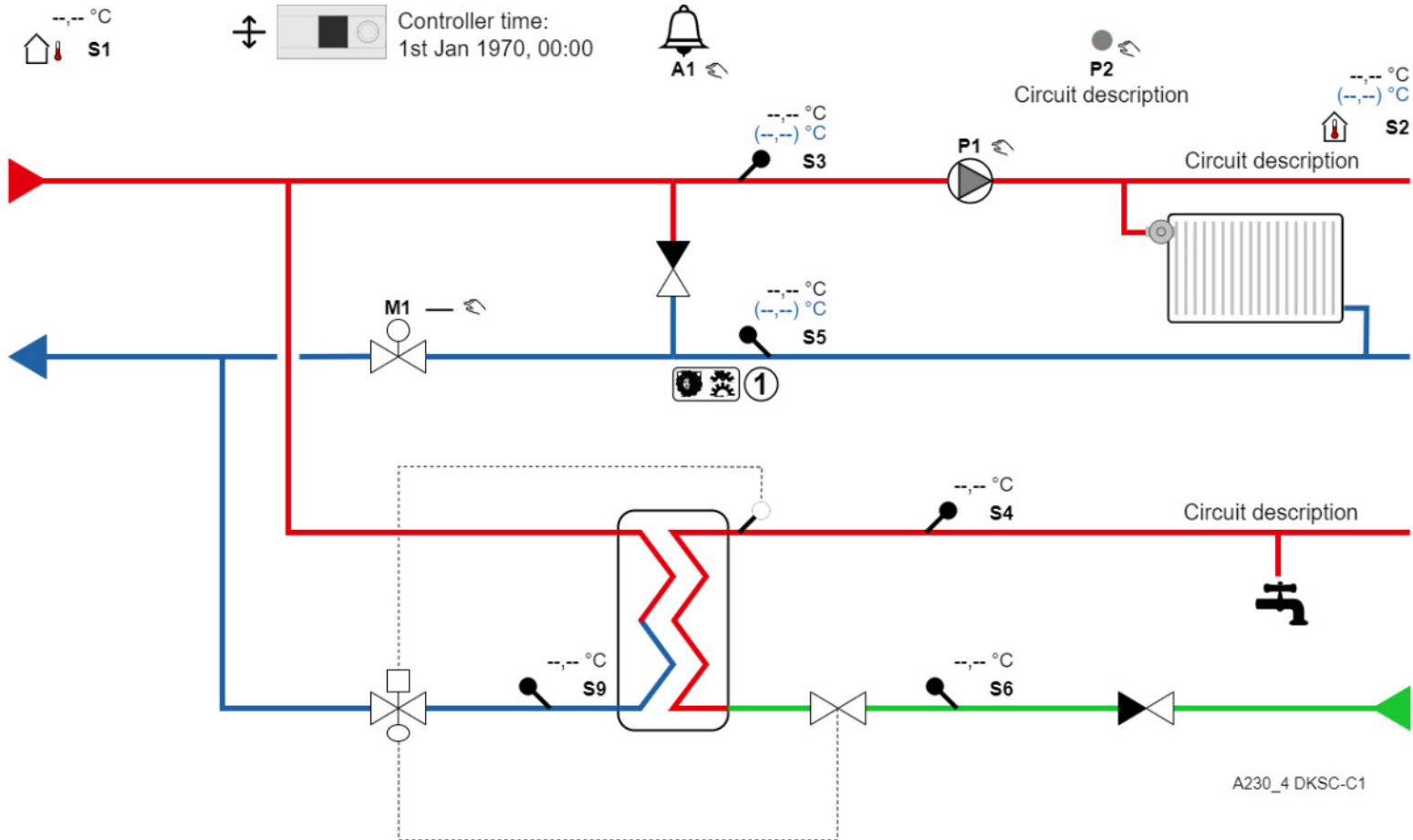
Leanheat® Monitor – A230.4 DKSC-B2



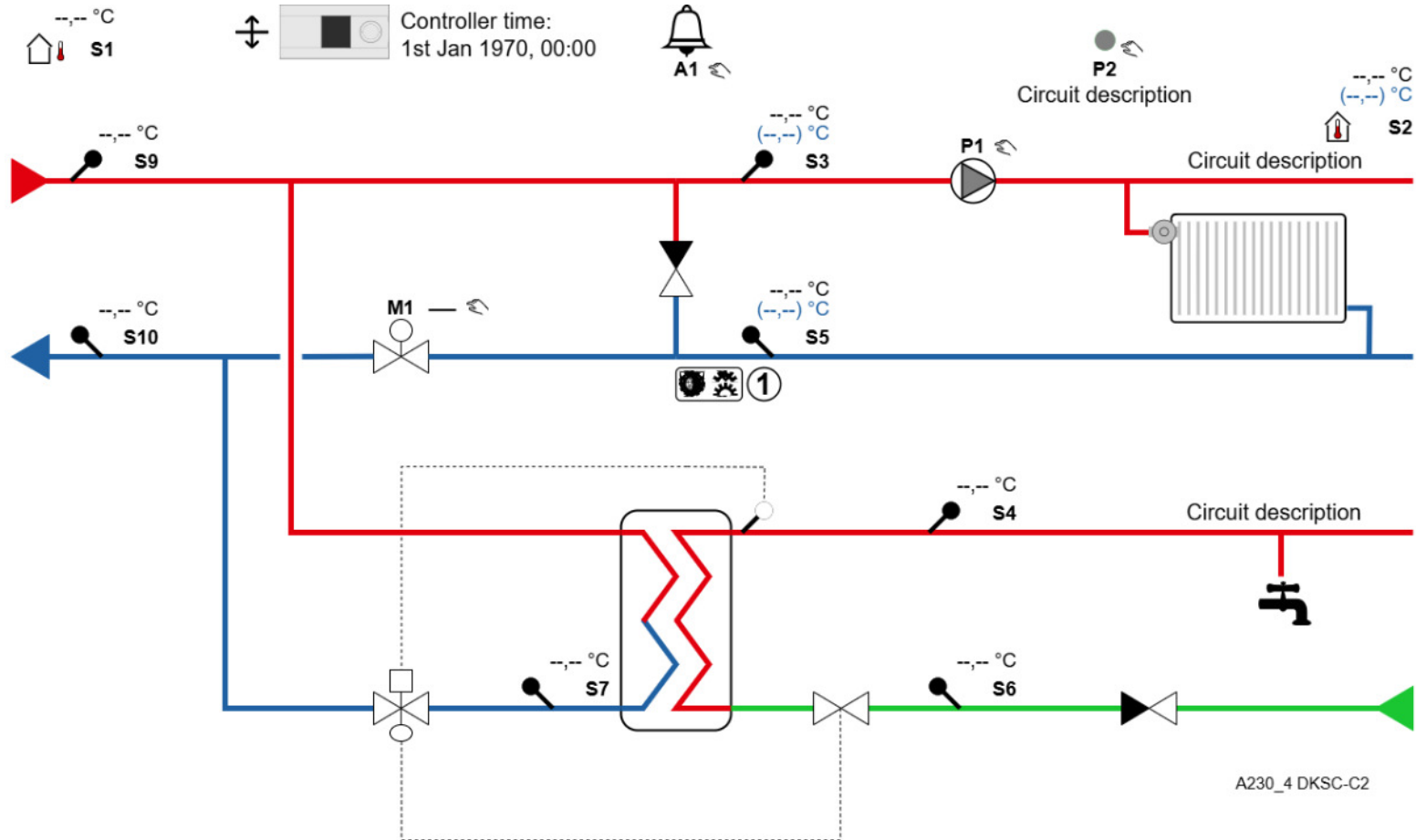
Leanheat® Monitor – A230.4 DKSC-C



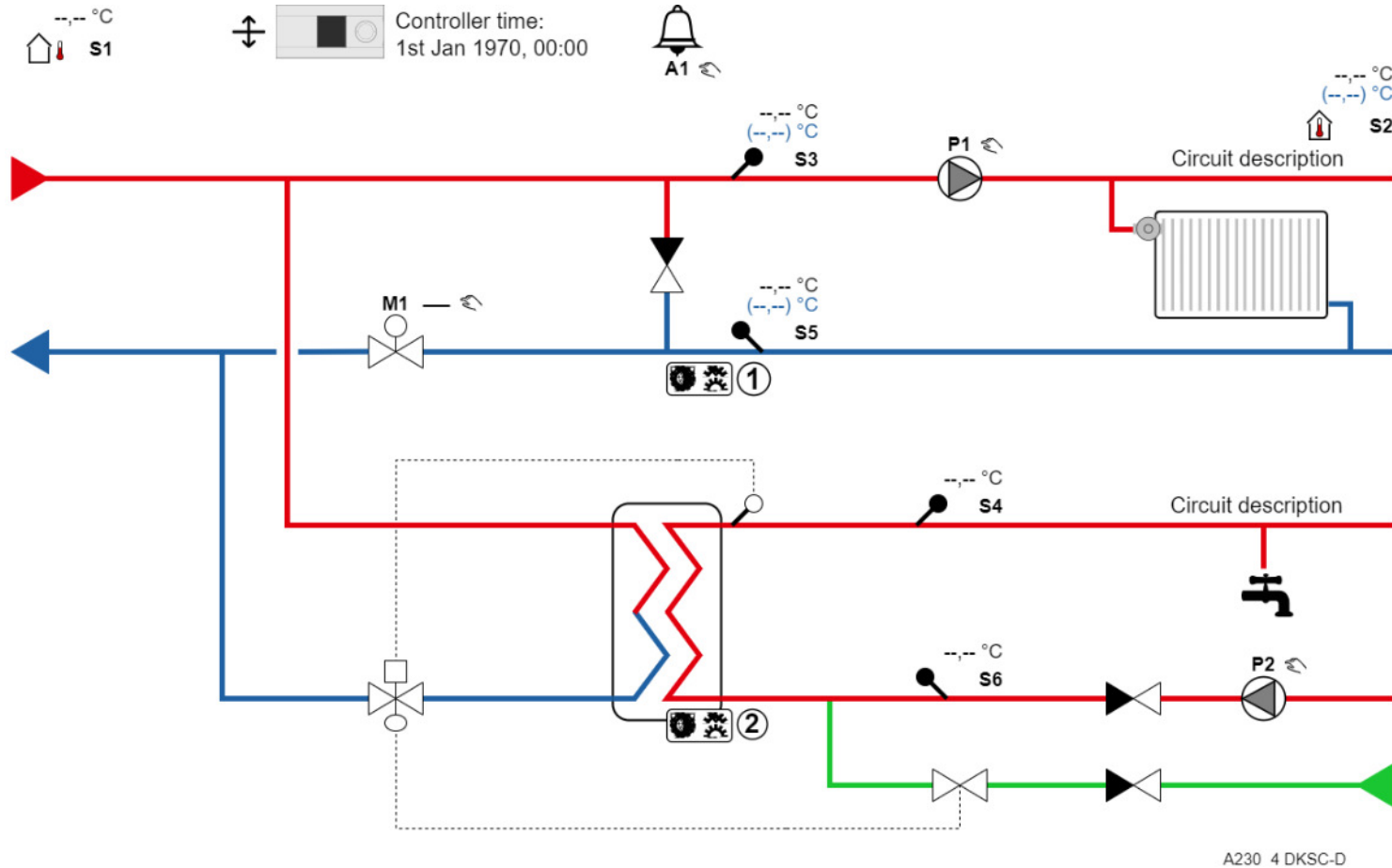
Leanheat® Monitor – A230.4 DKSC-C1



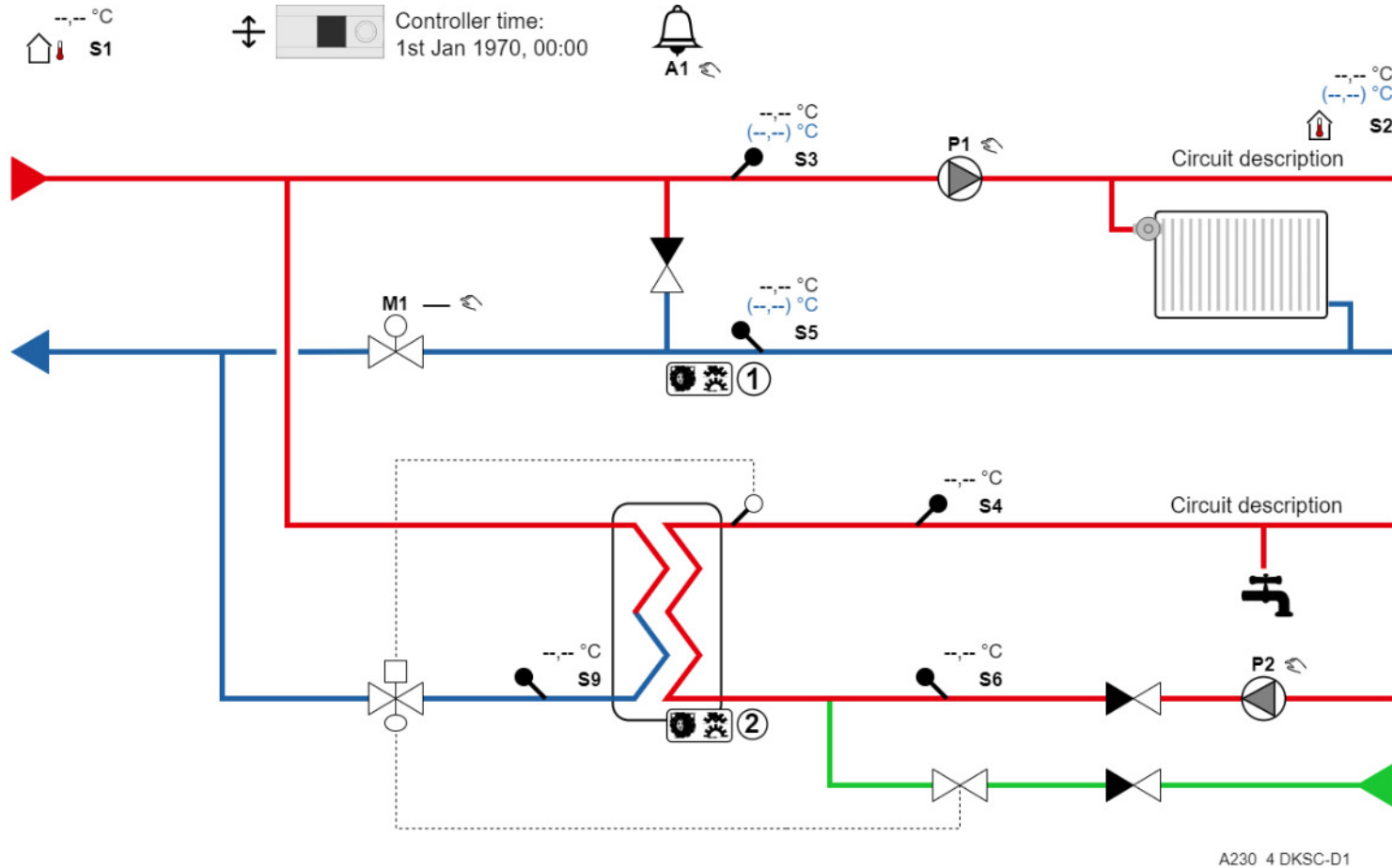
Leanheat® Monitor – A230.4 DKSC-C2



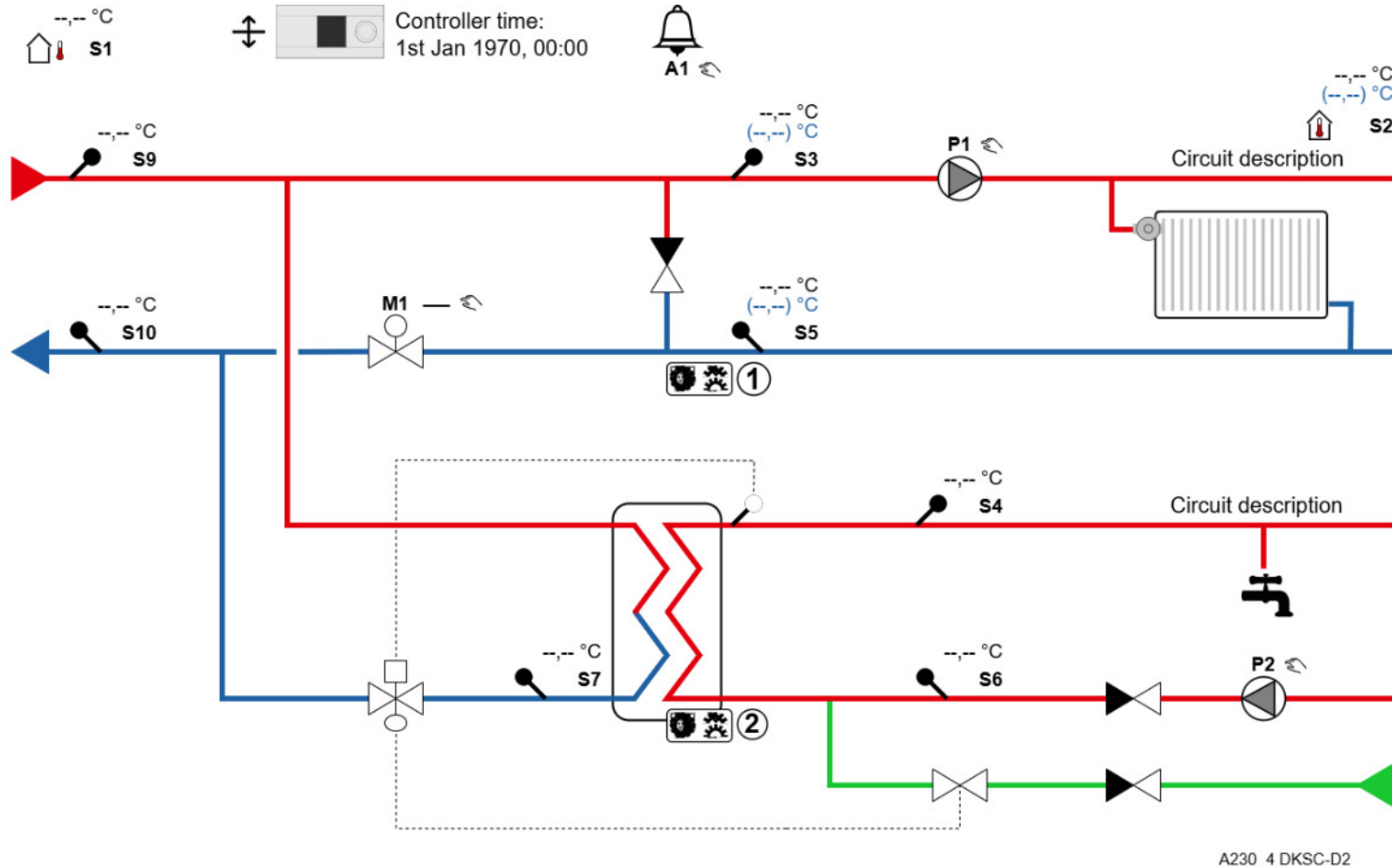
Leanheat® Monitor – A230.4 DKSC-D



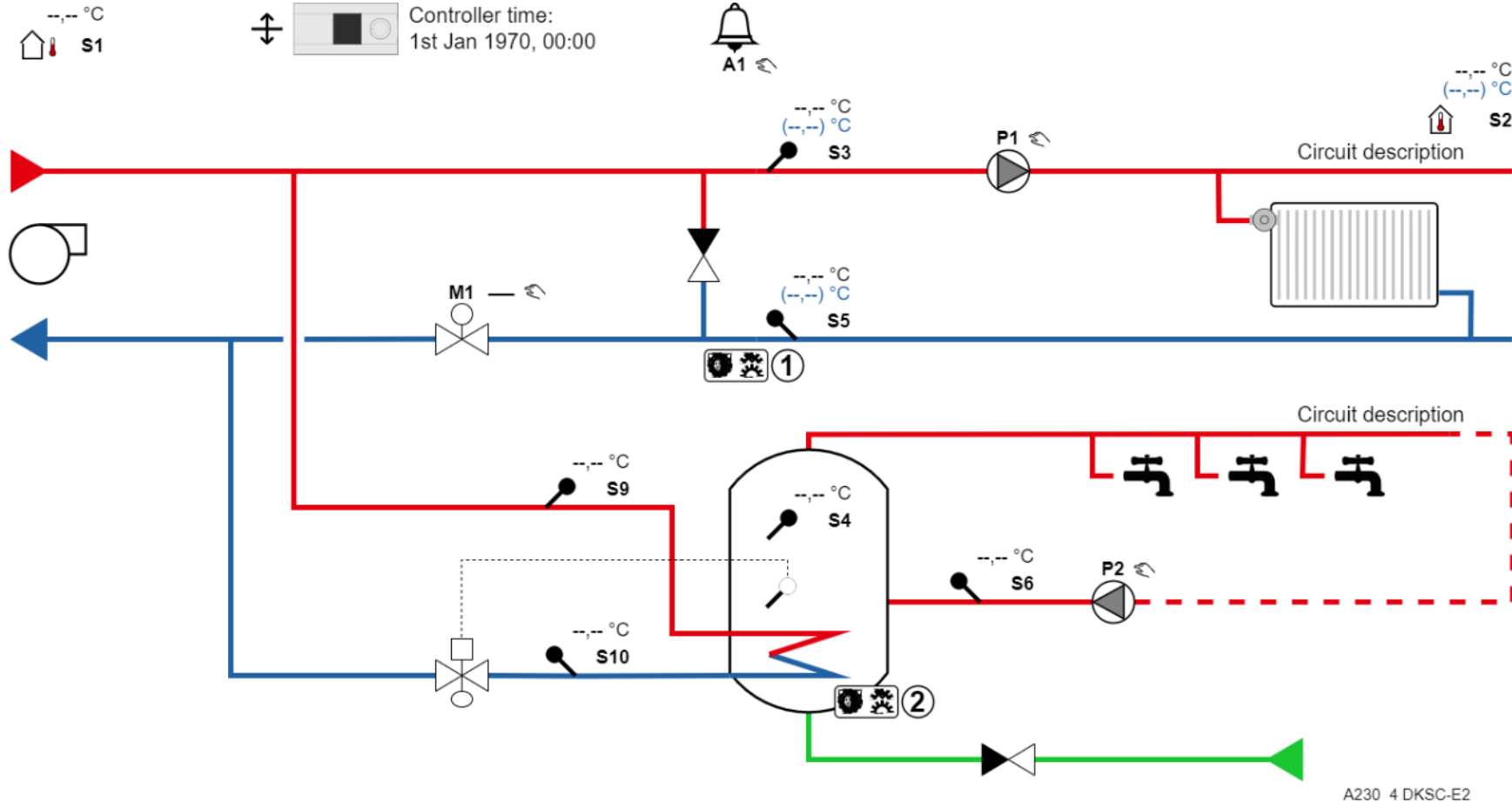
Leanheat® Monitor – A230.4 DKSC-D1



Leanheat® Monitor – A230.4 DKSC-D2

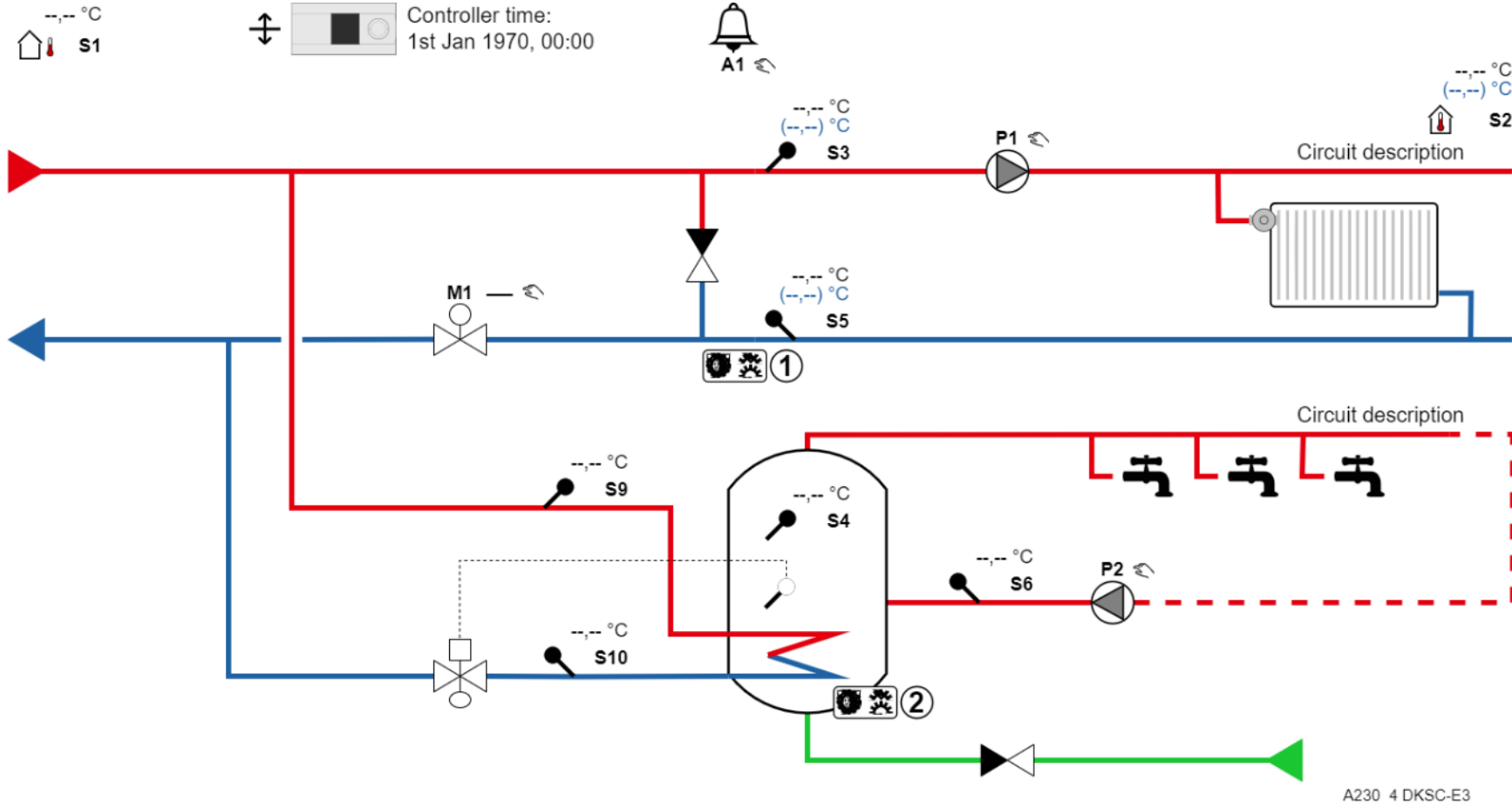


Leanheat® Monitor – A230.4 DKSC-E2

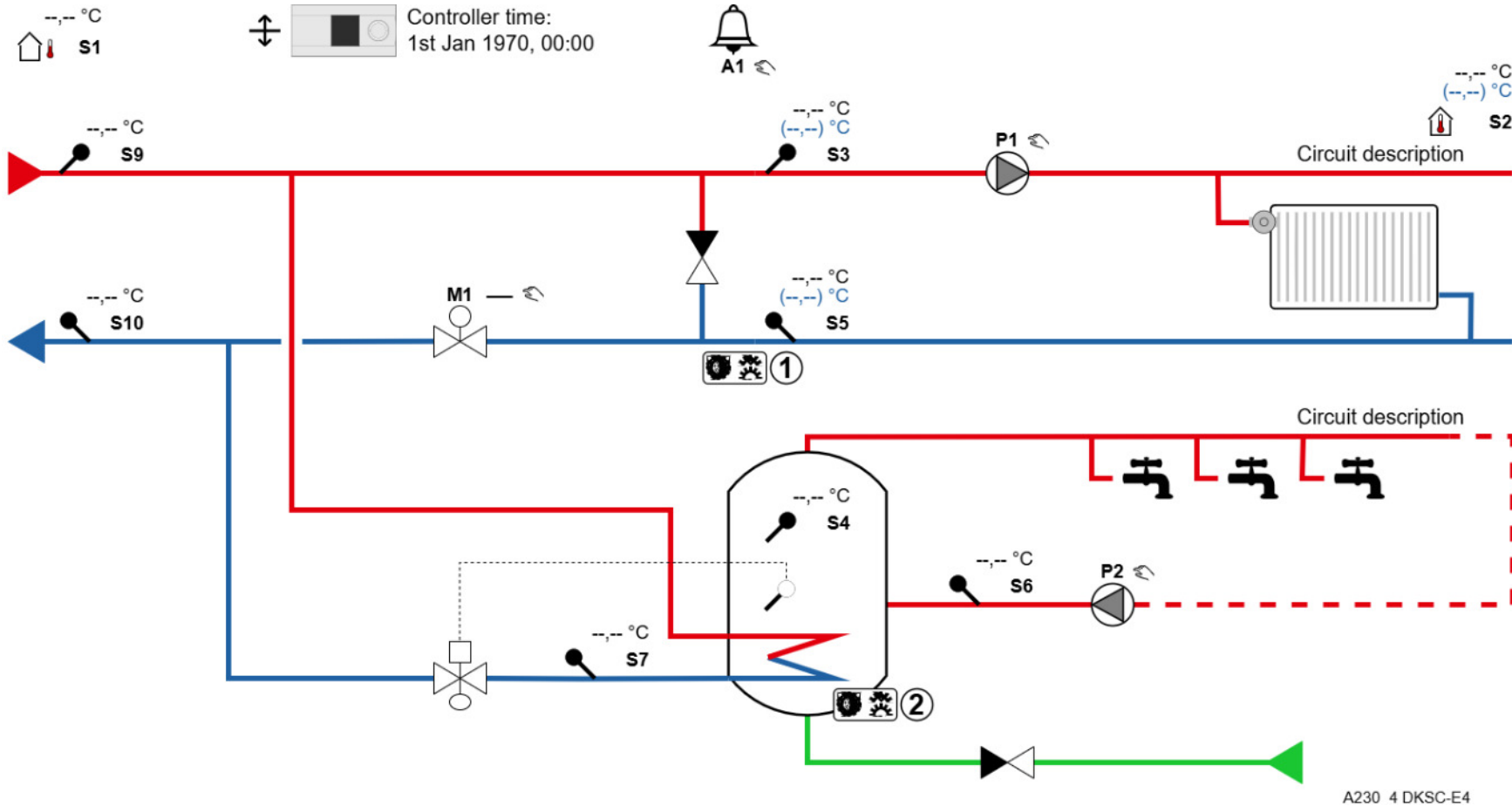


A230 4 DKSC-E2

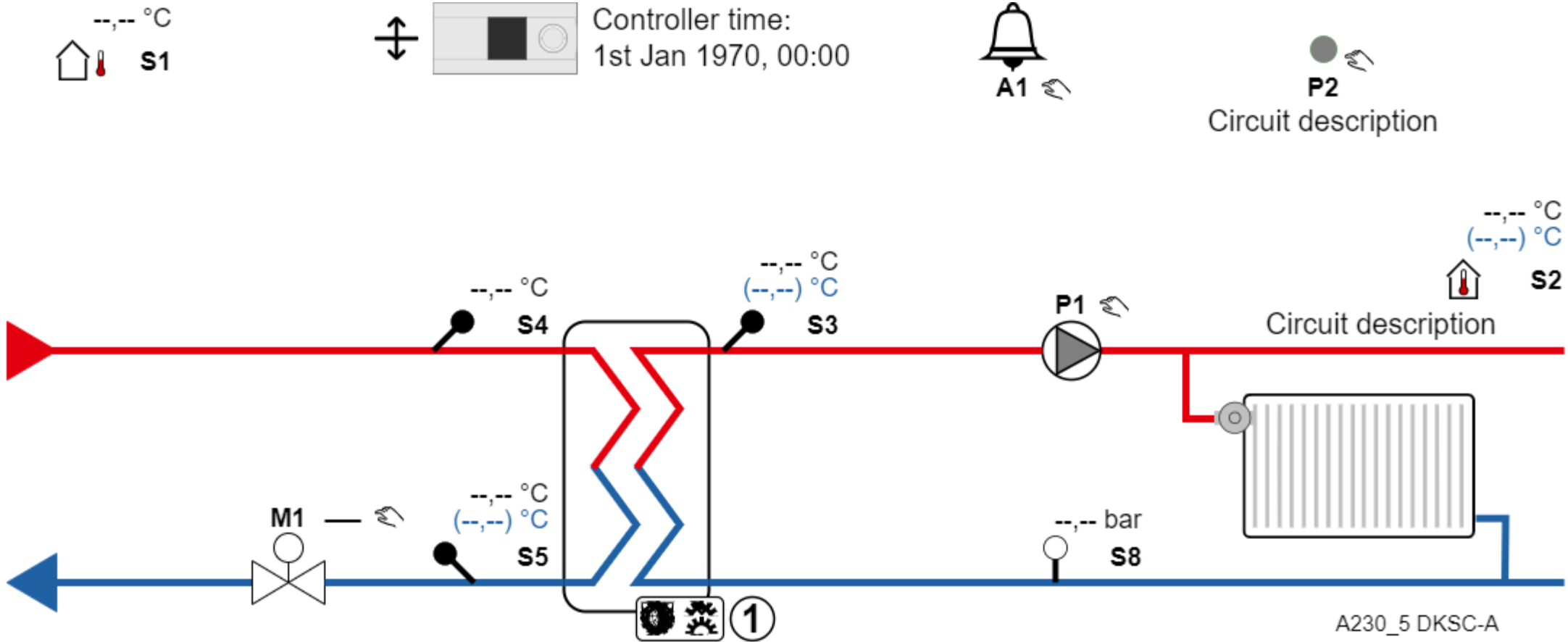
Leanheat® Monitor – A230.4 DKSC-E3



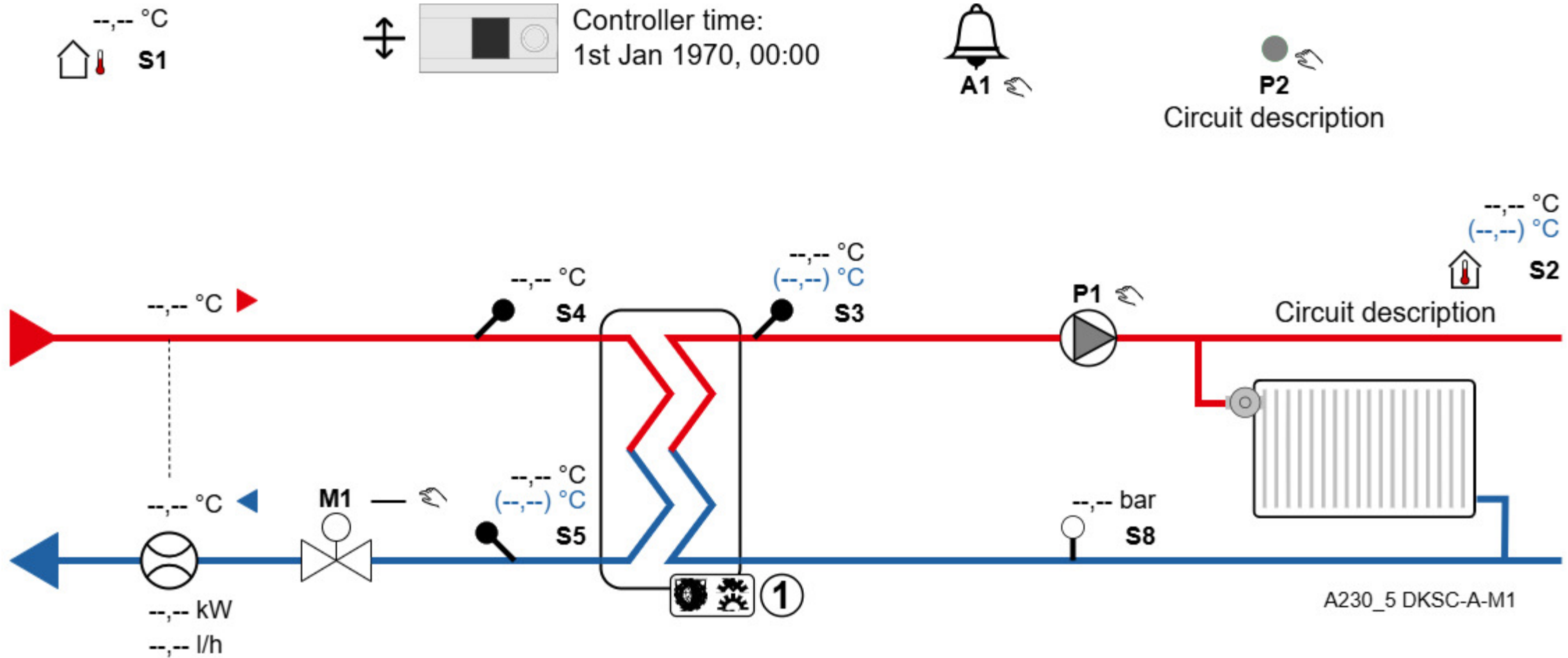
Leanheat® Monitor – A230.4 DKSC-E4



Leanheat® Monitor – A230.5 DKSC-A



Leanheat® Monitor – A230.5 DKSC-A-M1

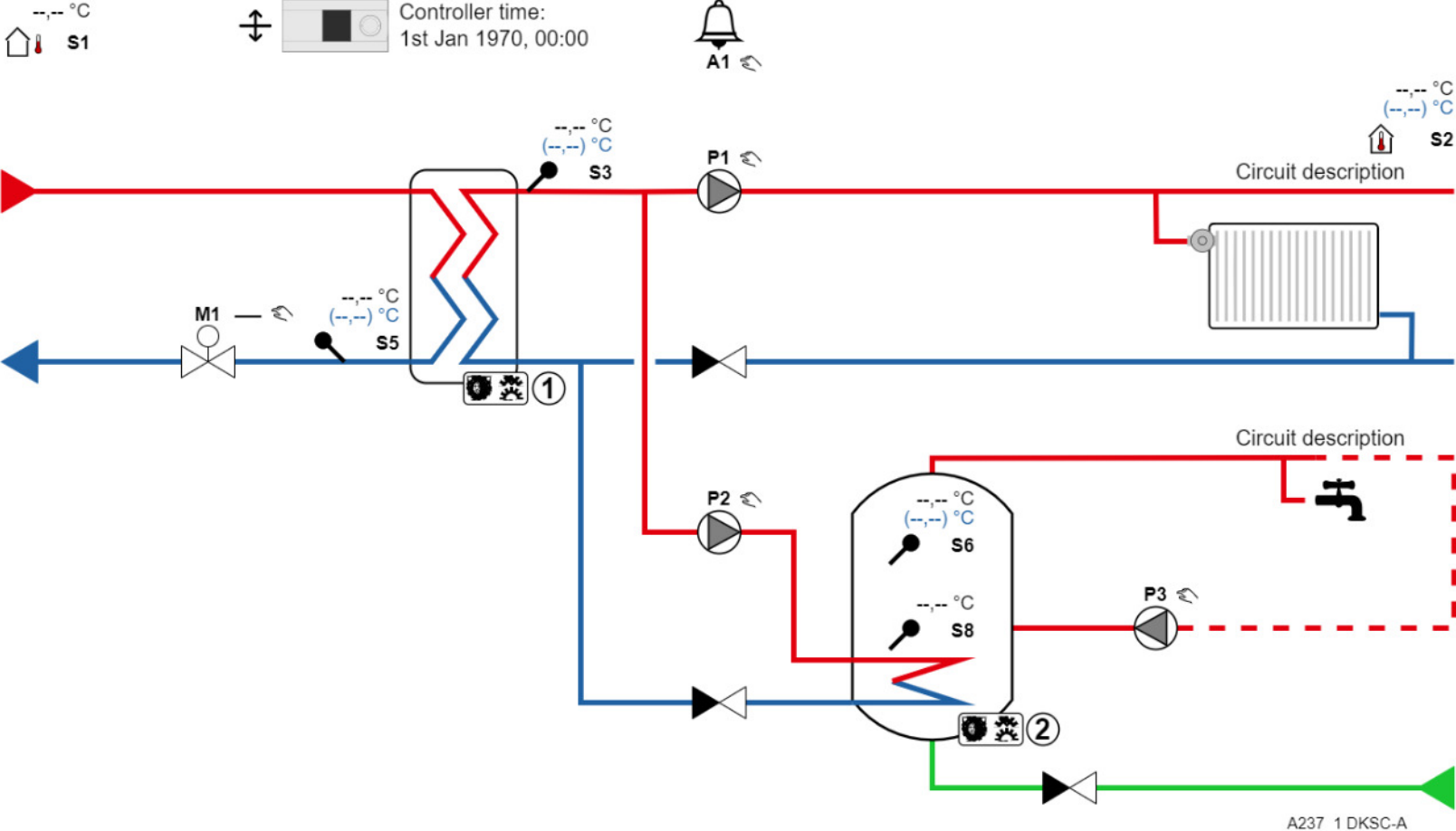


A230_5 DKSC-A-M1

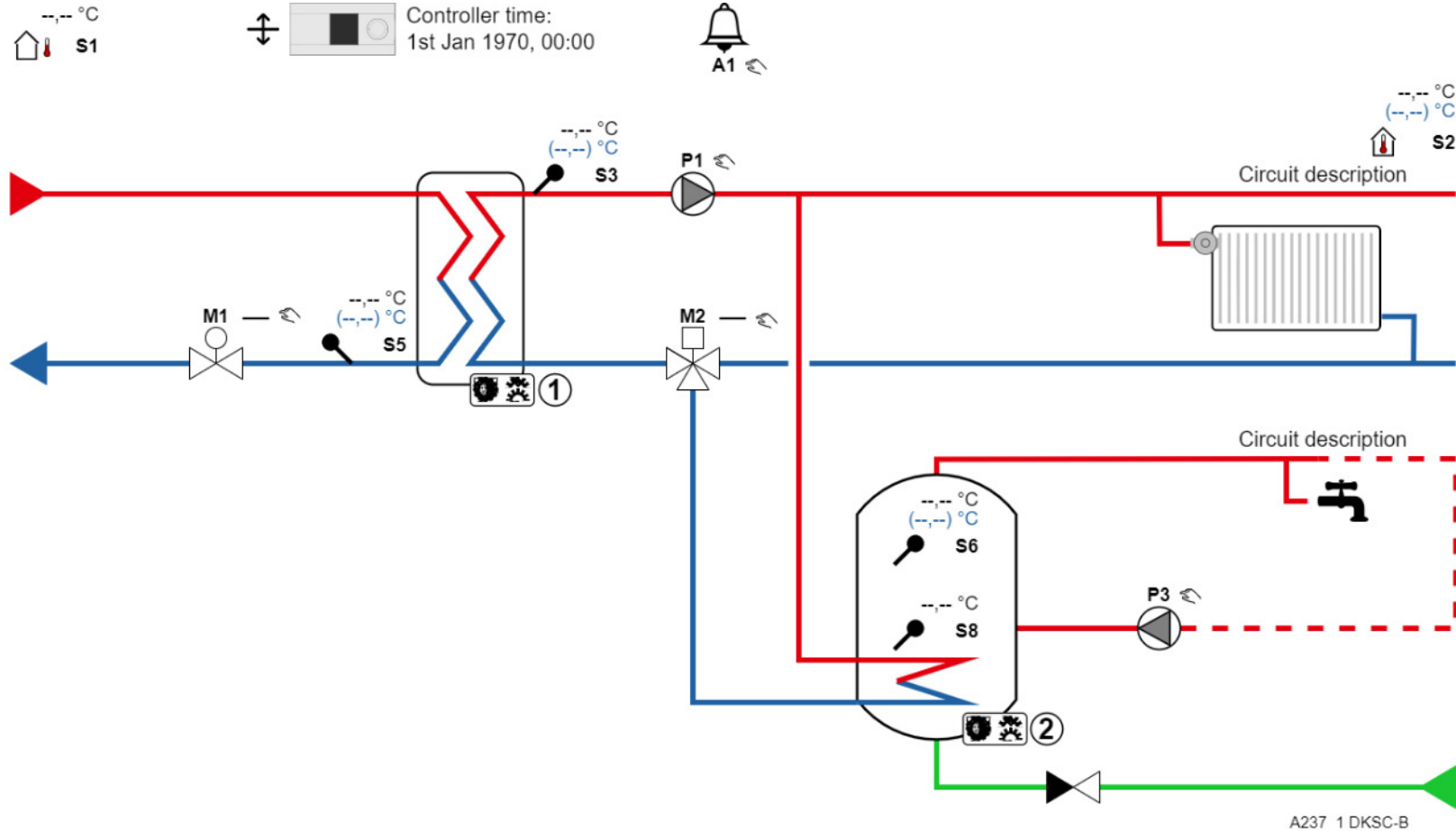
A237



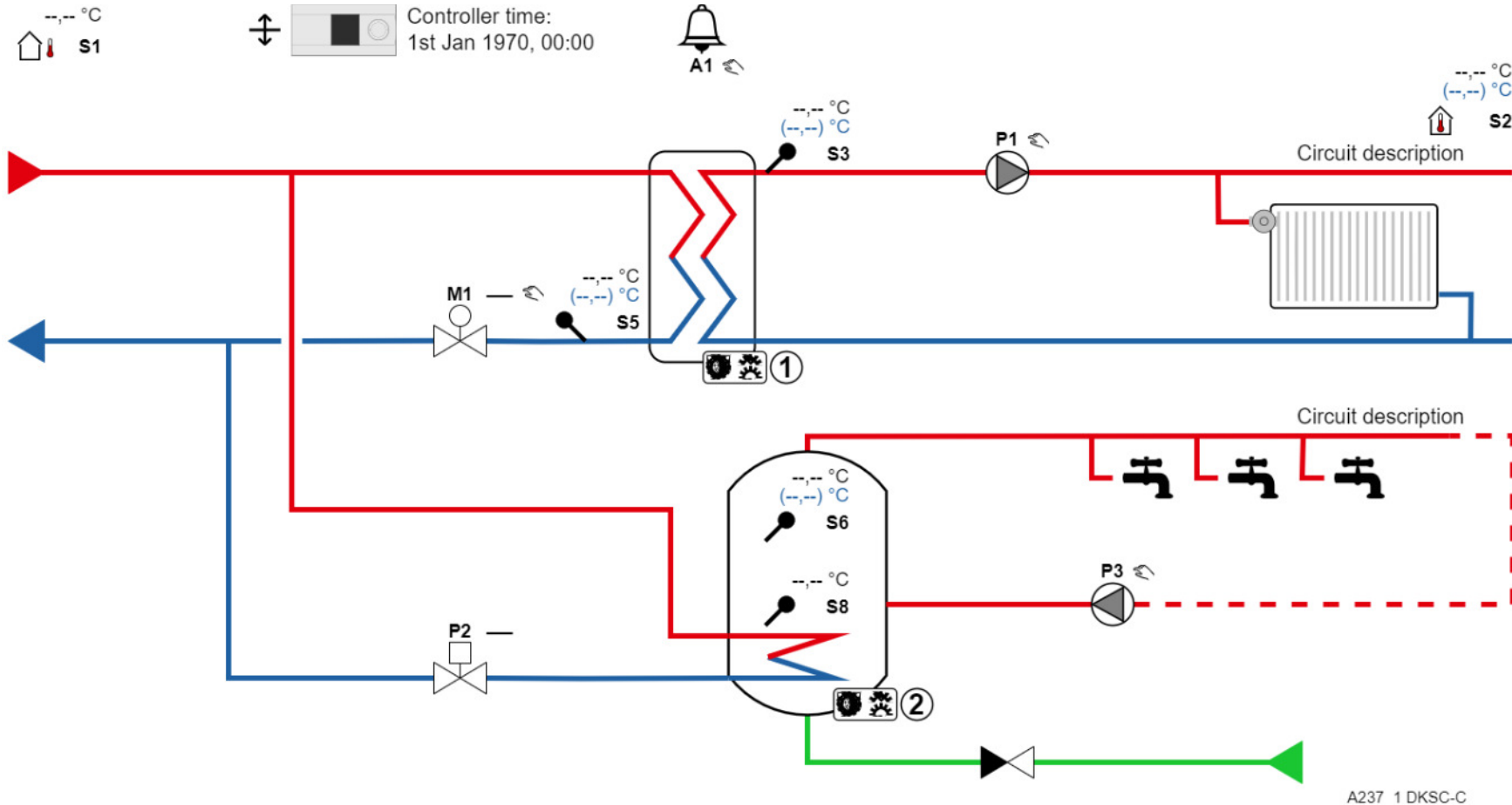
Leanheat[®] Monitor – A237.1 DKSC-A



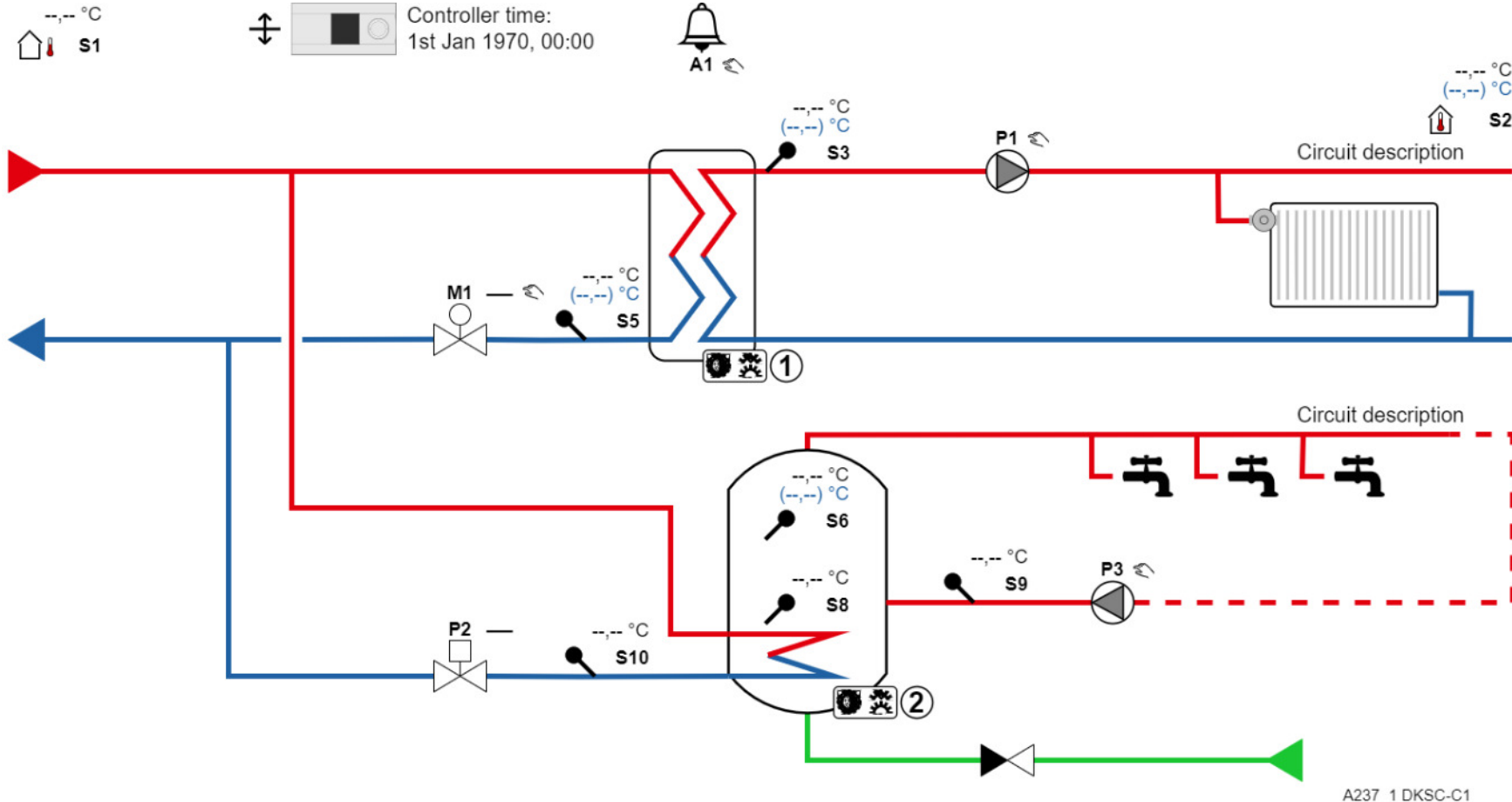
Leanheat® Monitor – A237.1 DKSC-B



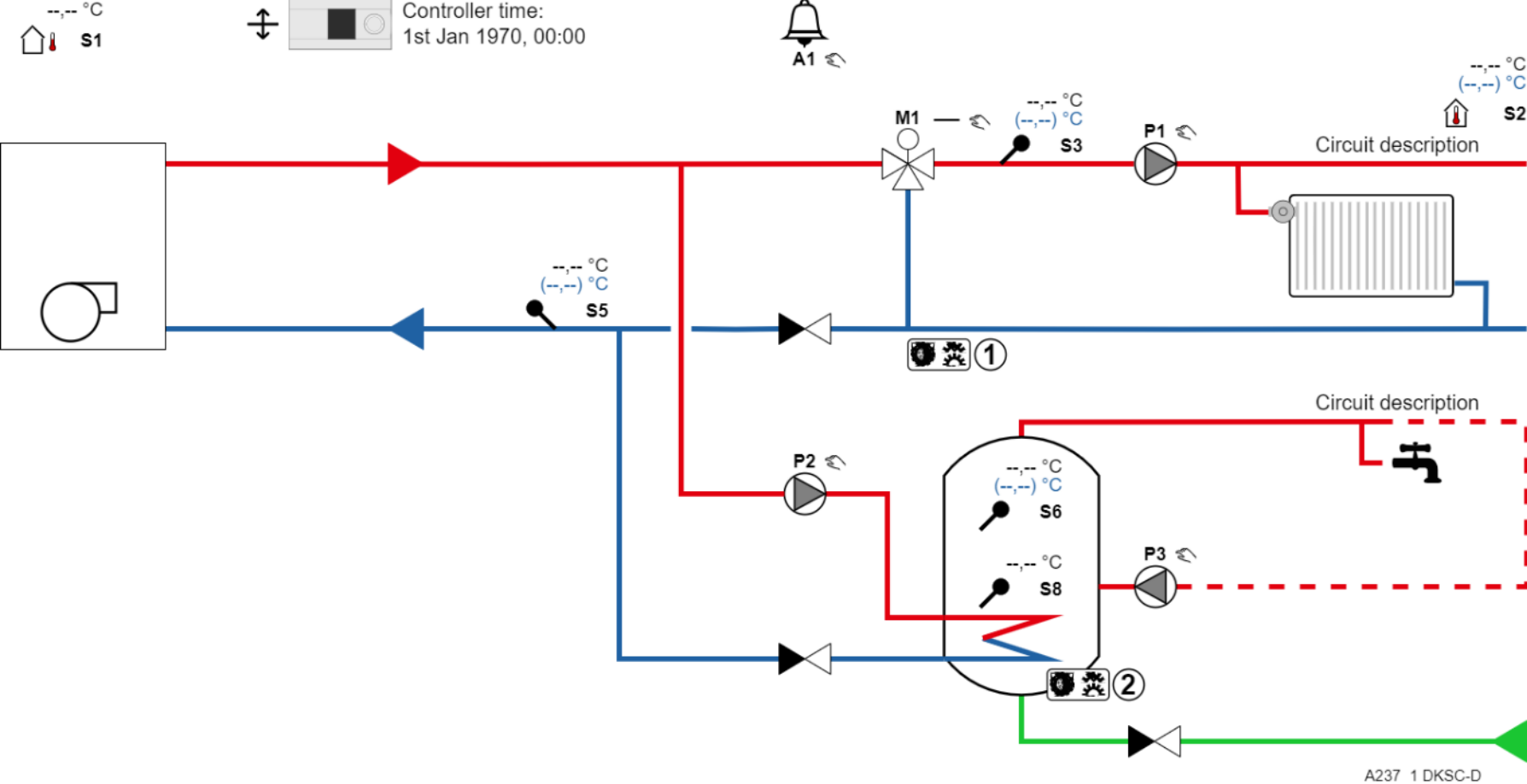
Leanheat® Monitor – A237.1 DKSC-C



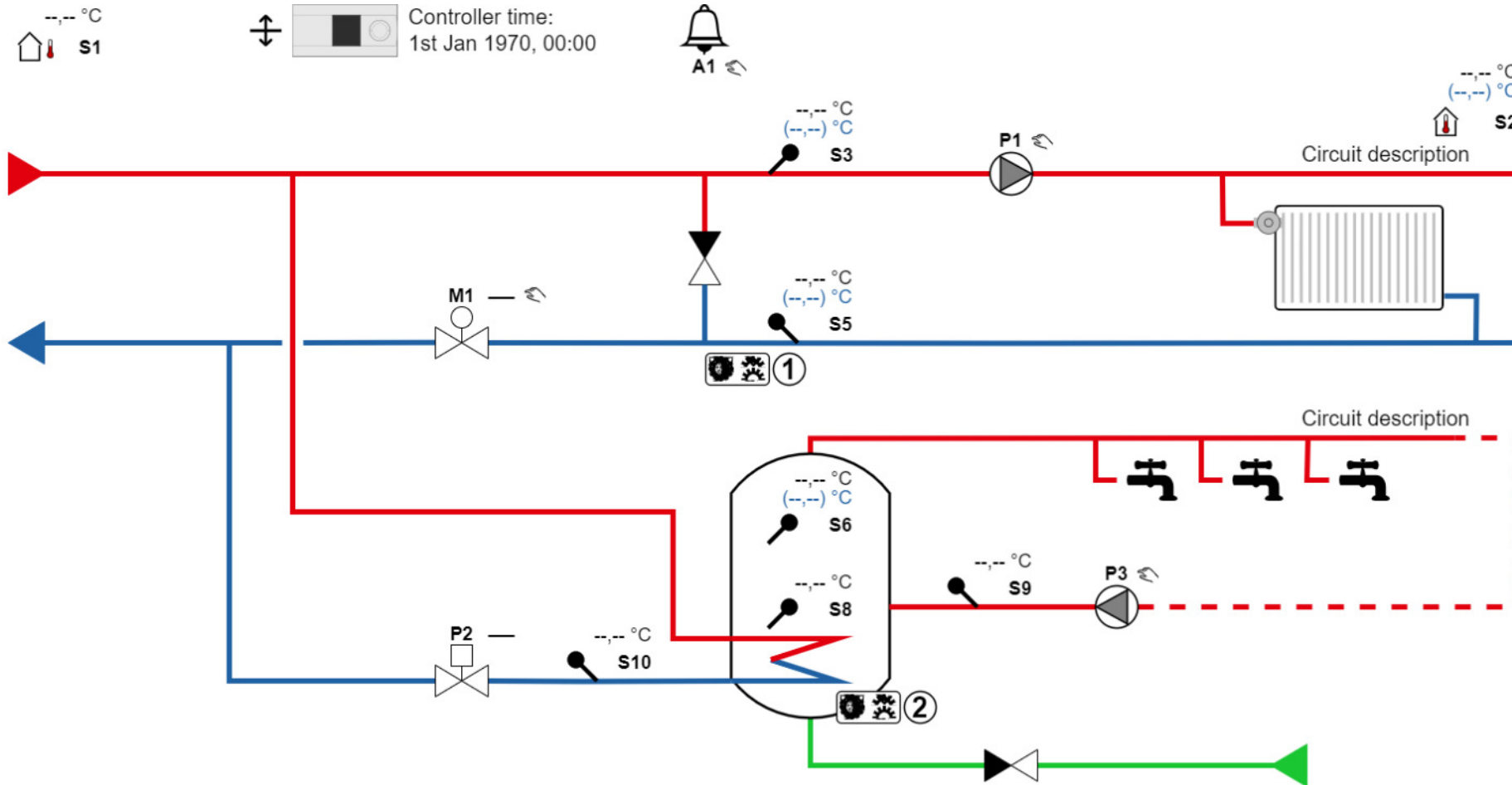
Leanheat® Monitor – A237.1 DKSC-C1



Leanheat® Monitor – A237.1 DKSC-D

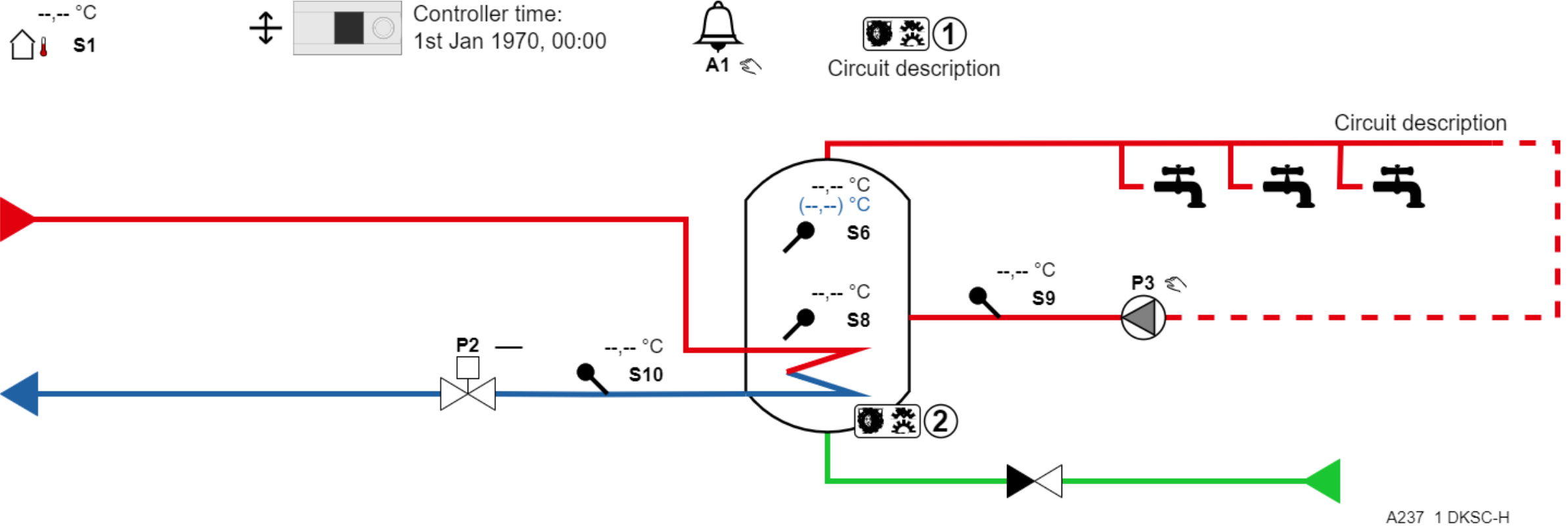


Leanheat® Monitor – A237.1 DKSC-E1

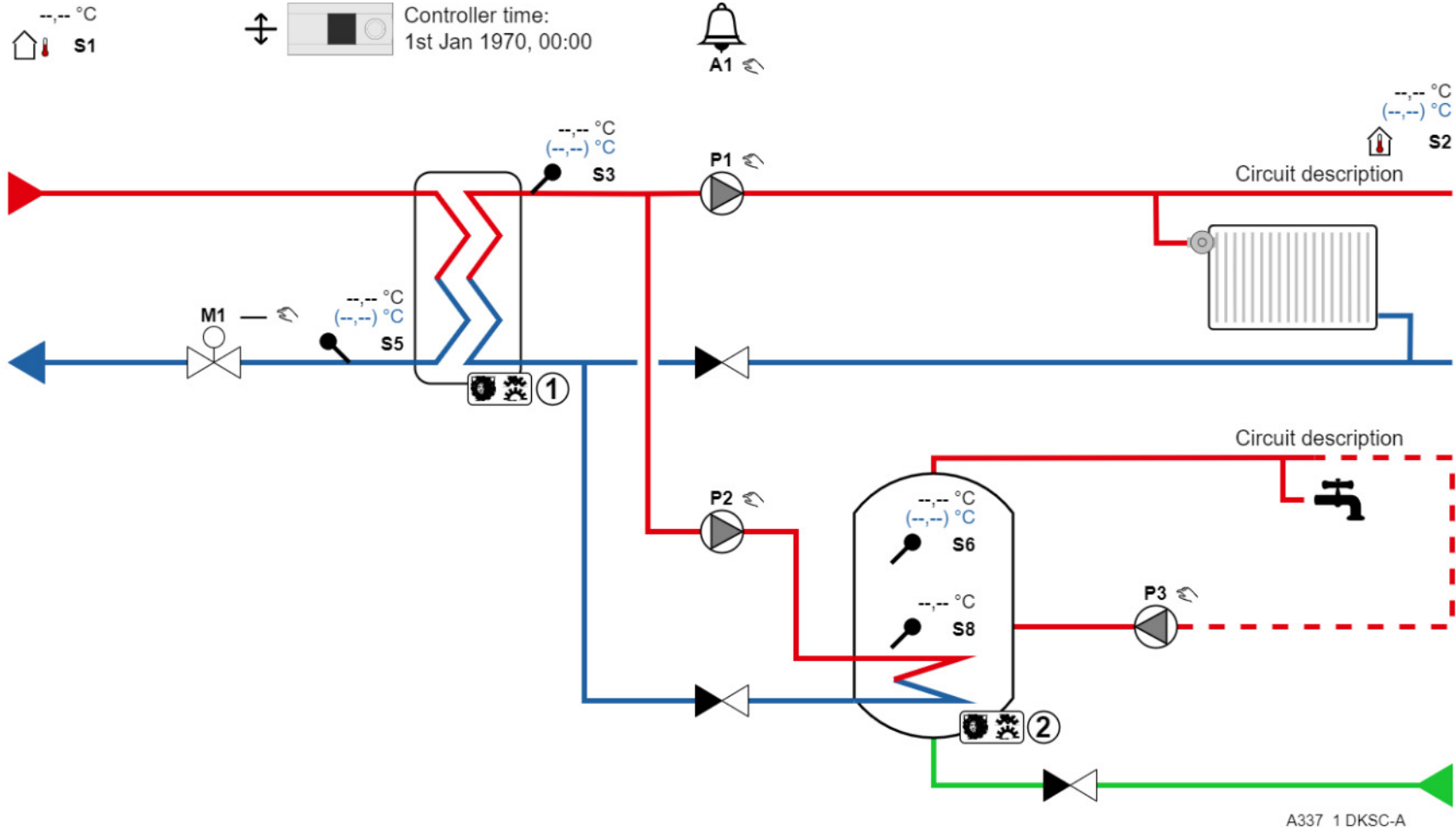


A237 1 DKSC-E1

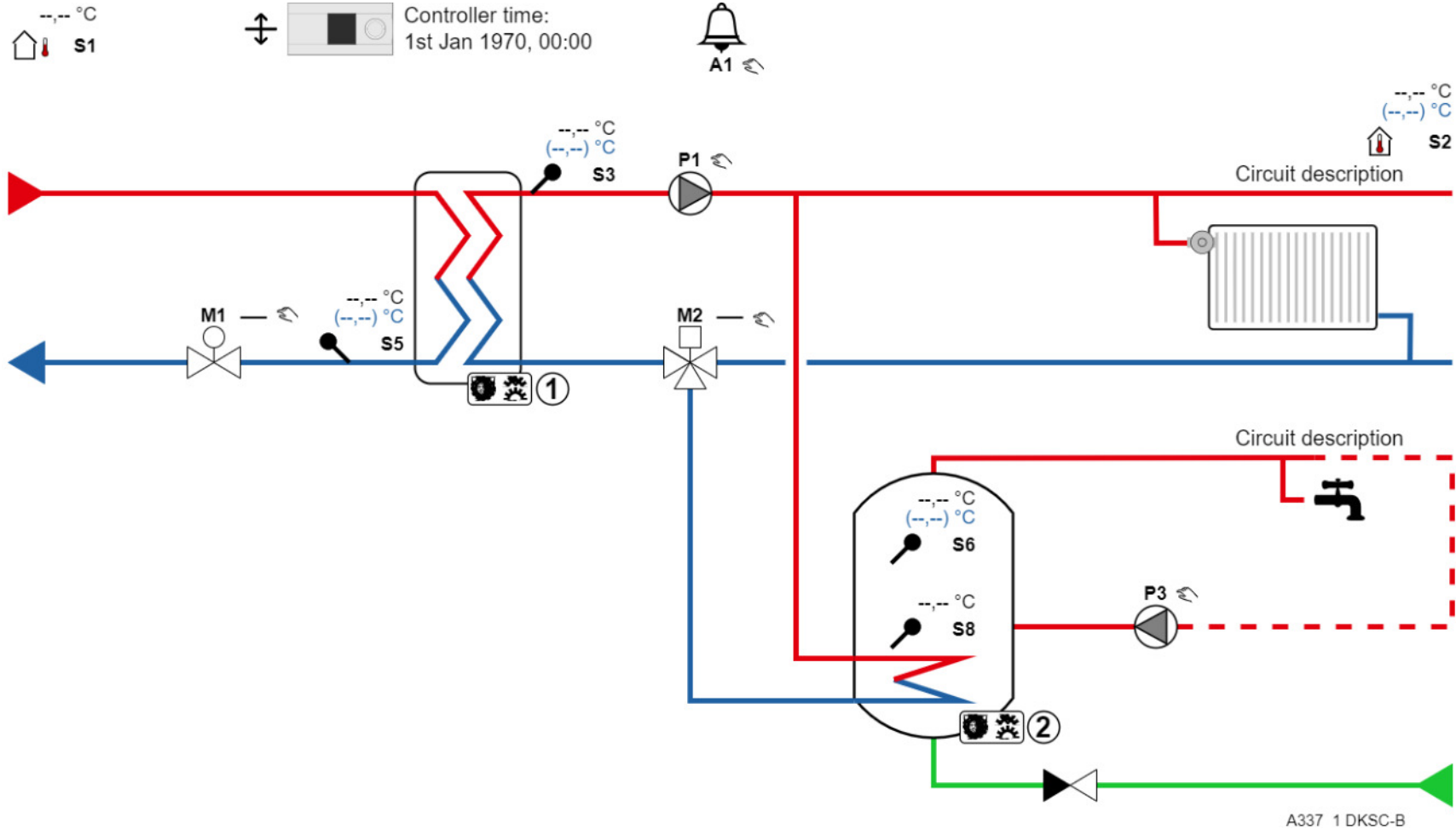
Leanheat® Monitor– A237.1 DKSC-H



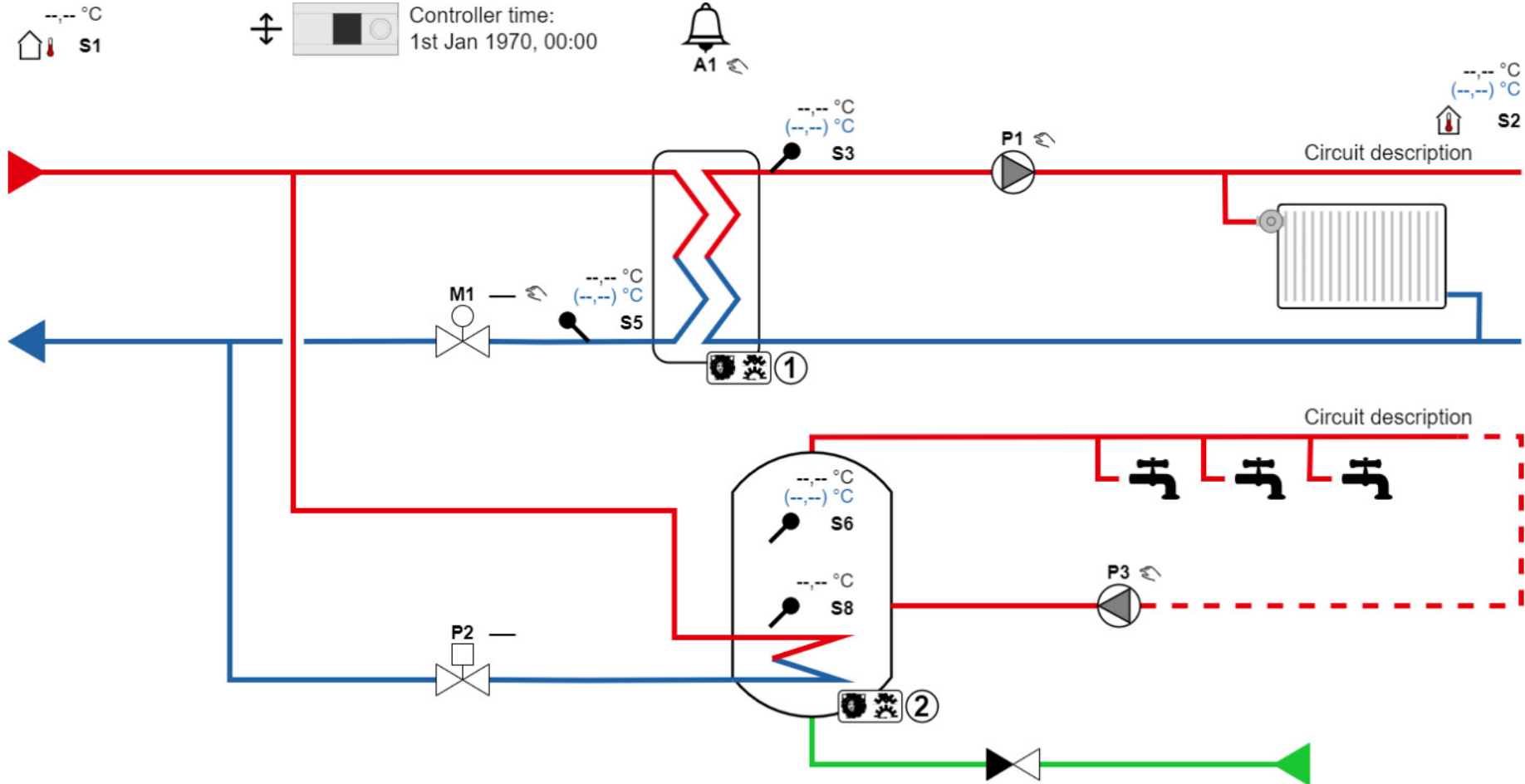
Leanheat® Monitor– A337.1 DKSC-A



Leanheat® Monitor – A337.1 DKSC-B

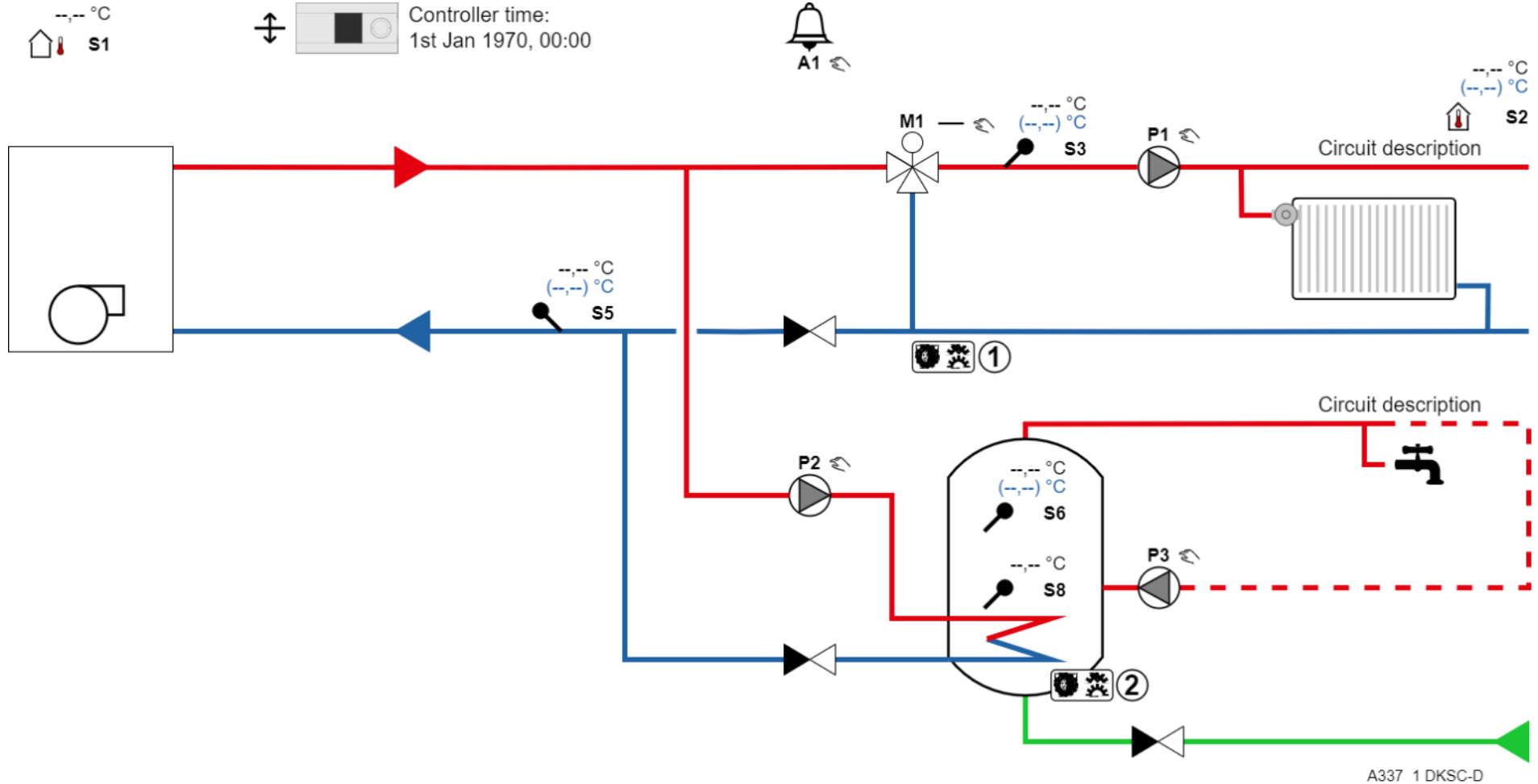


Leanheat® Monitor – A337.1 DKSC-C

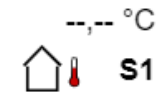


A337 1 DKSC-C

Leanheat® Monitor – A337.1 DKSC-D



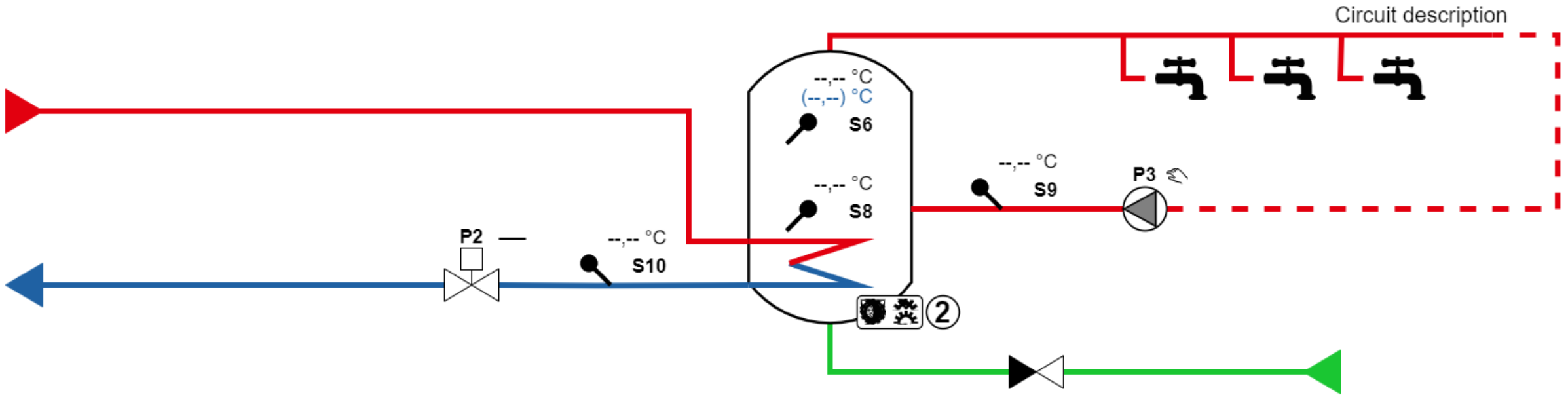
Leanheat® Monitor – A337.1 DKSC-H



Controller time:
1st Jan 1970, 00:00



Circuit description

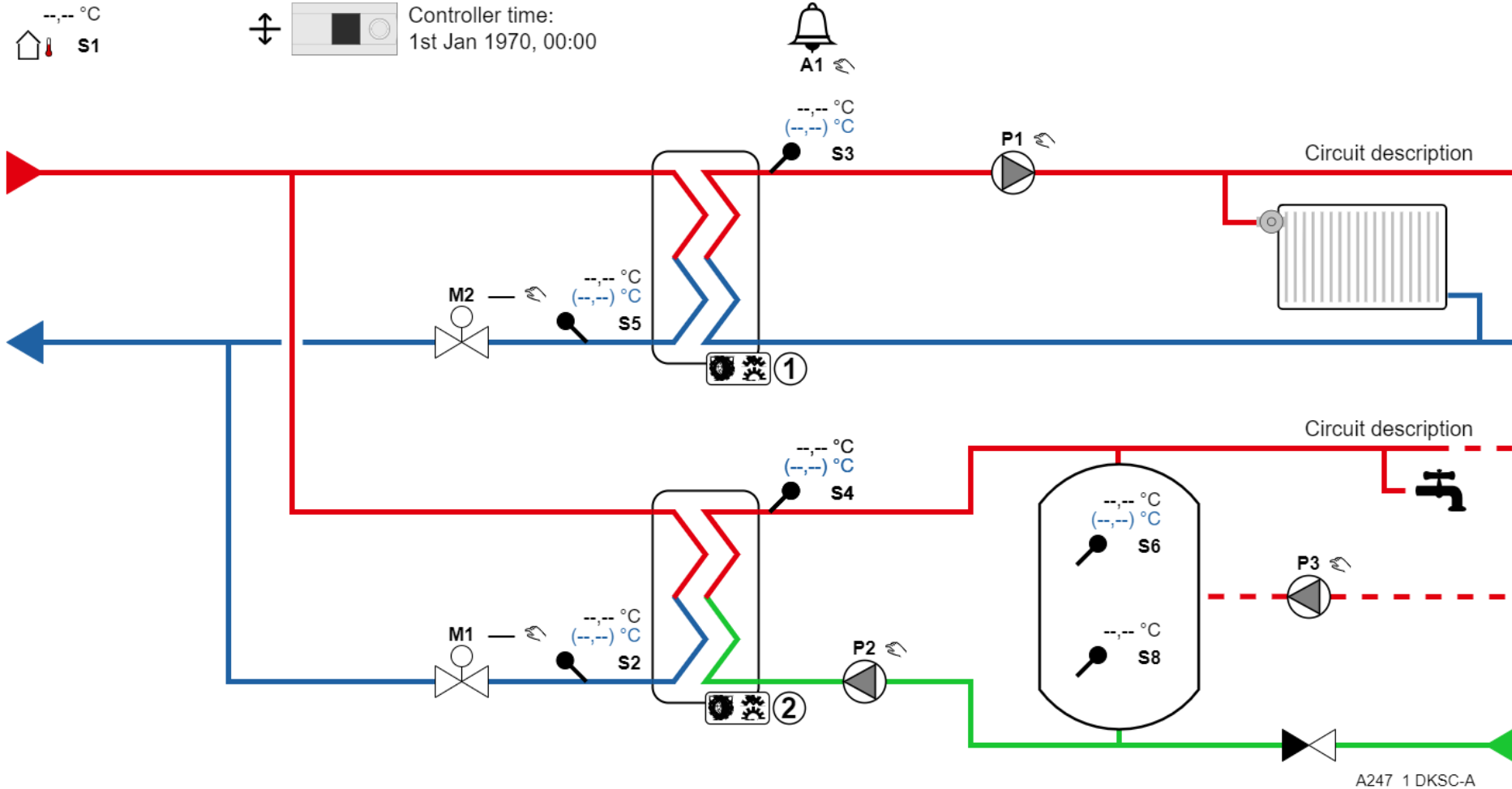


A337 1 DKSC-H

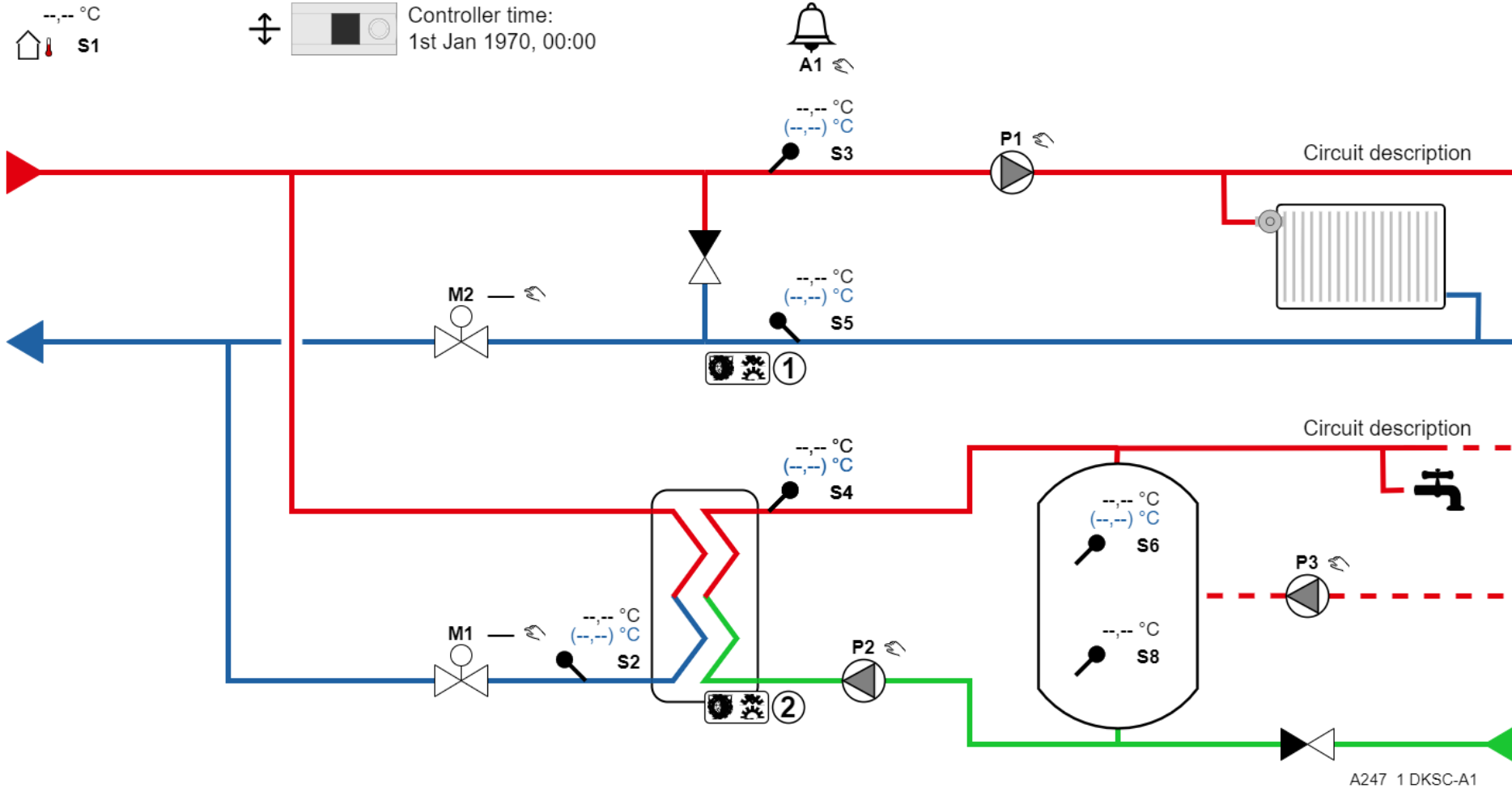
A247



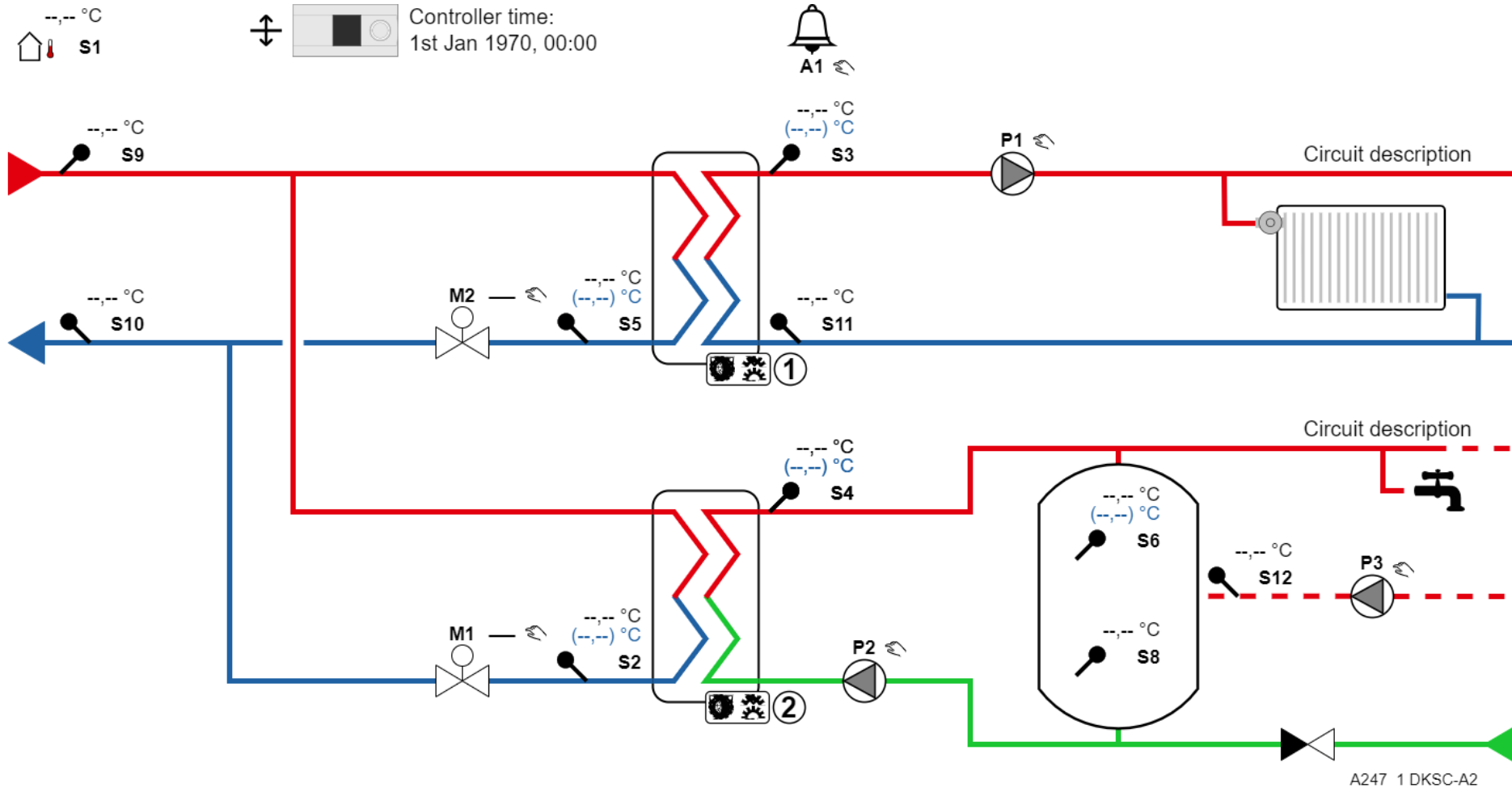
Leanheat® Monitor – A247.1 DKSC-A



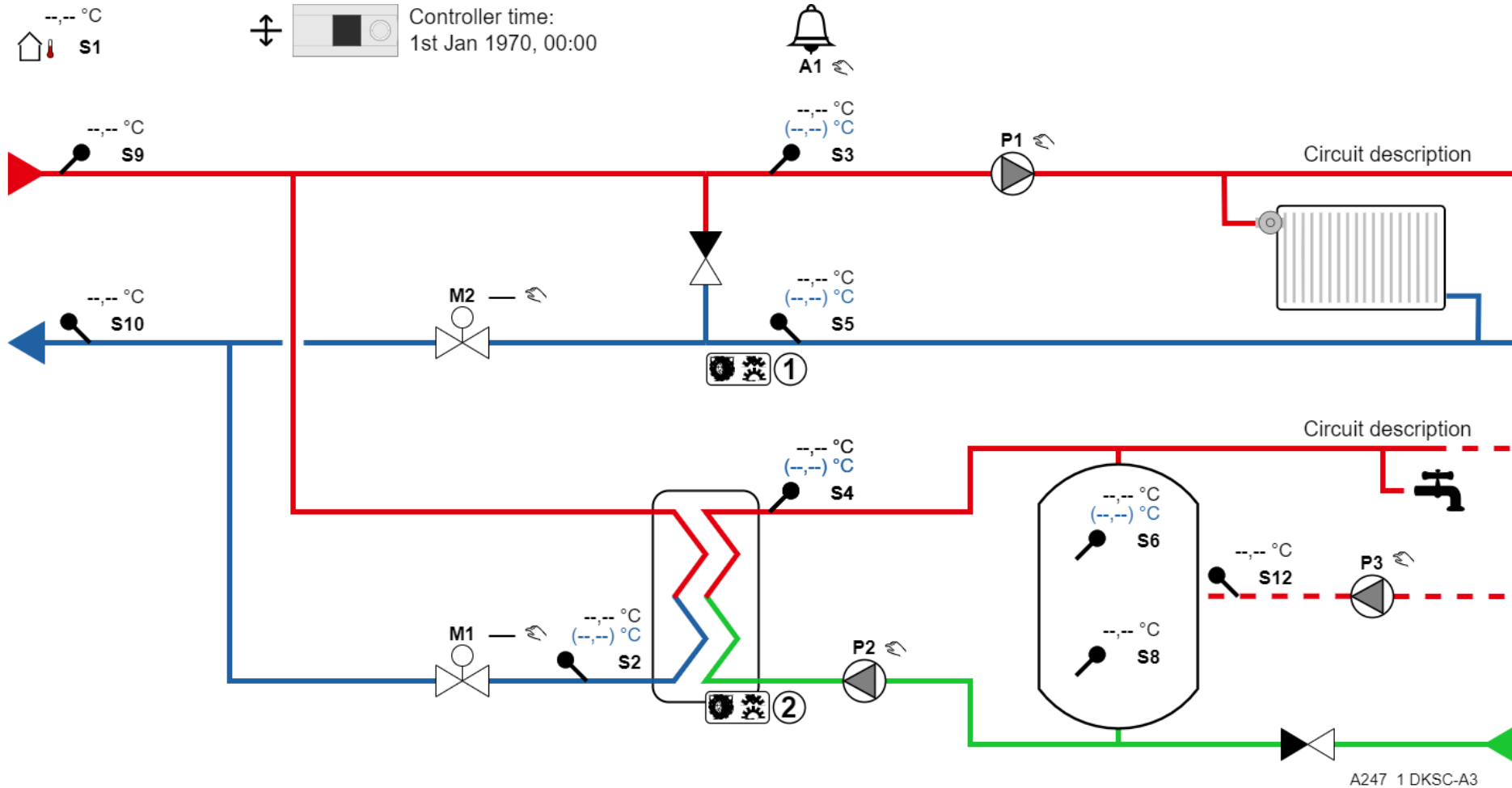
Leanheat® Monitor – A247.1 DKSC-A1



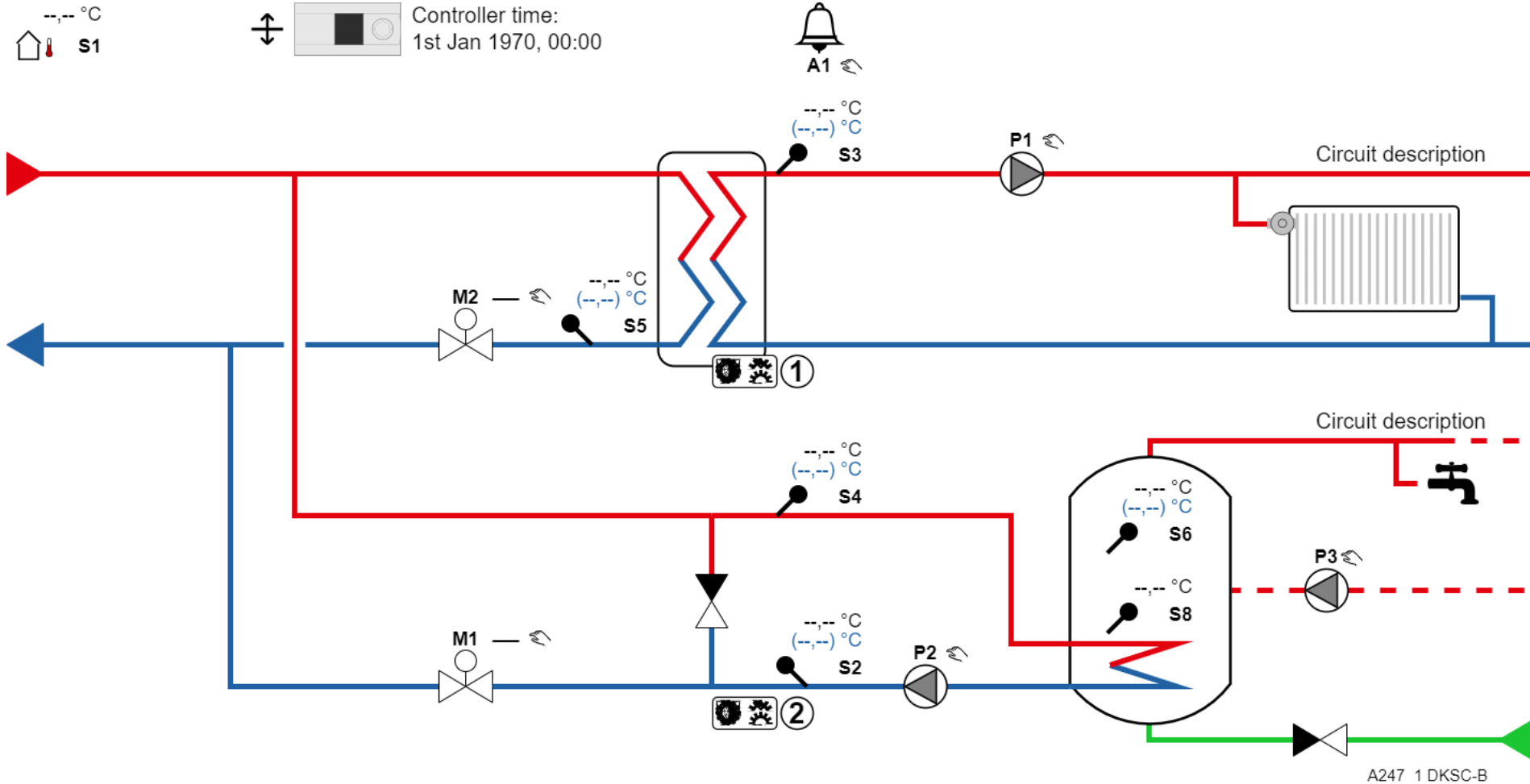
Leanheat® Monitor – A247.1 DKSC-A2



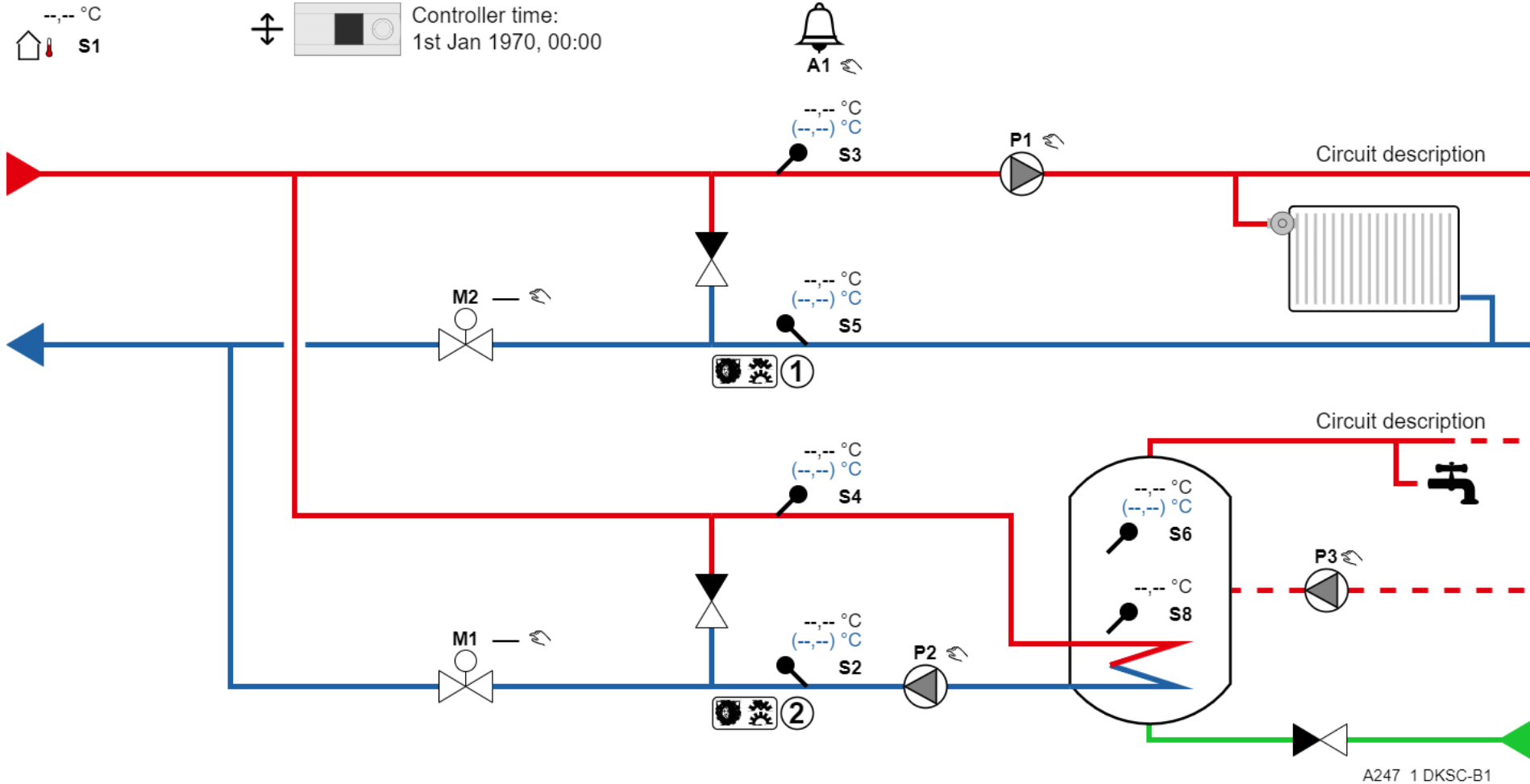
Leanheat® Monitor – A247.1 DKSC-A3



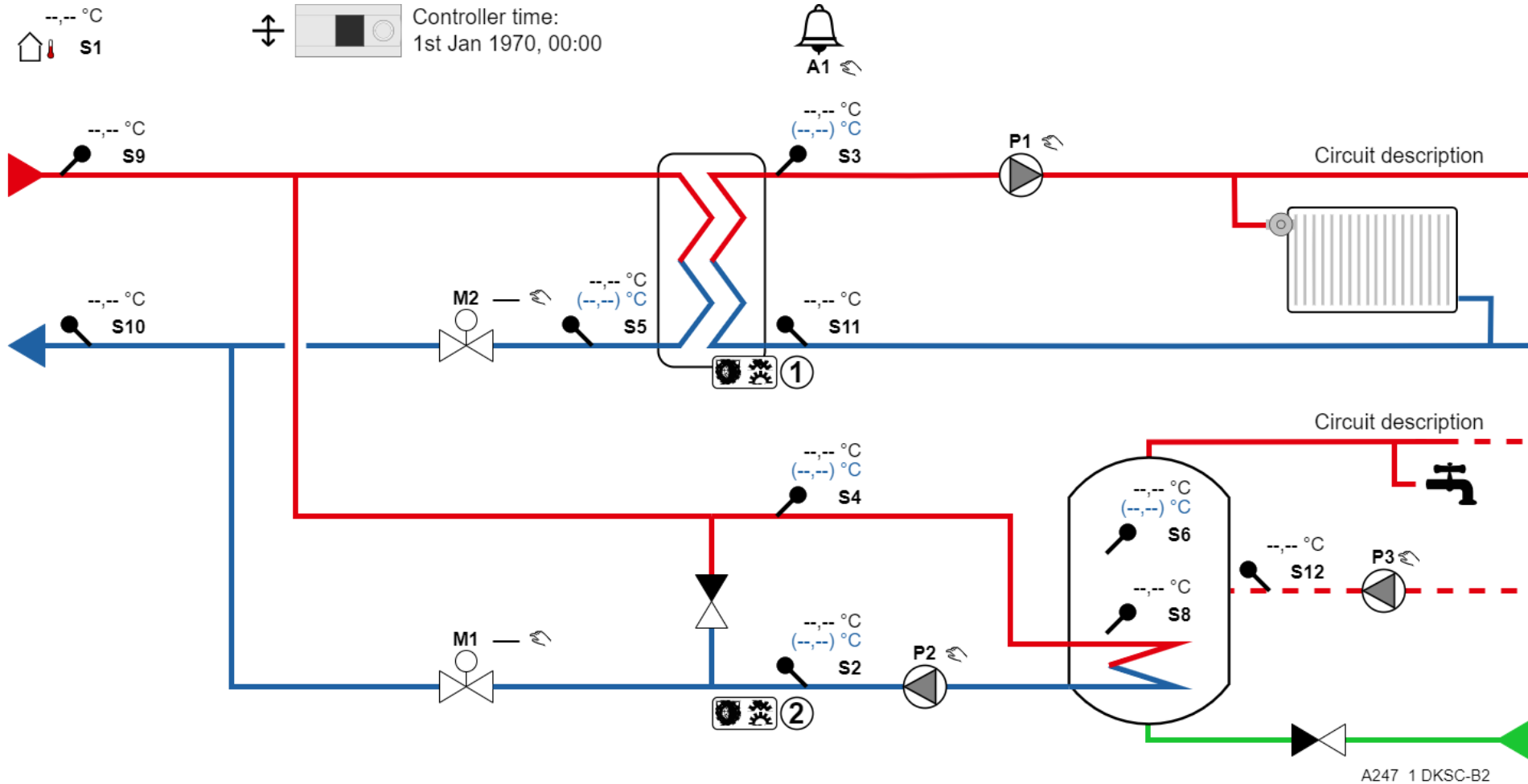
Leanheat® Monitor – A247.1 DKSC-B



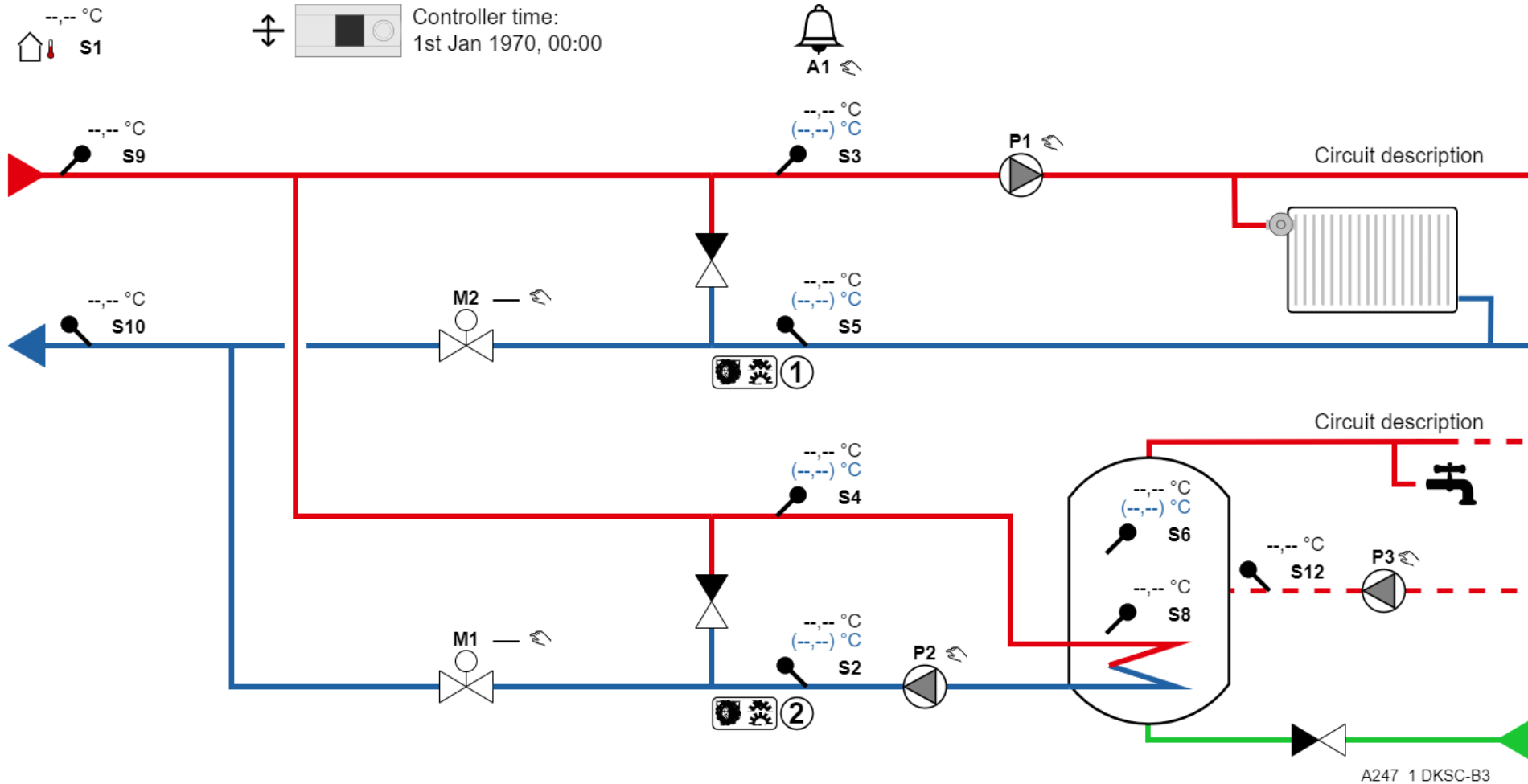
Leanheat® Monitor – A247.1 DKSC-B1



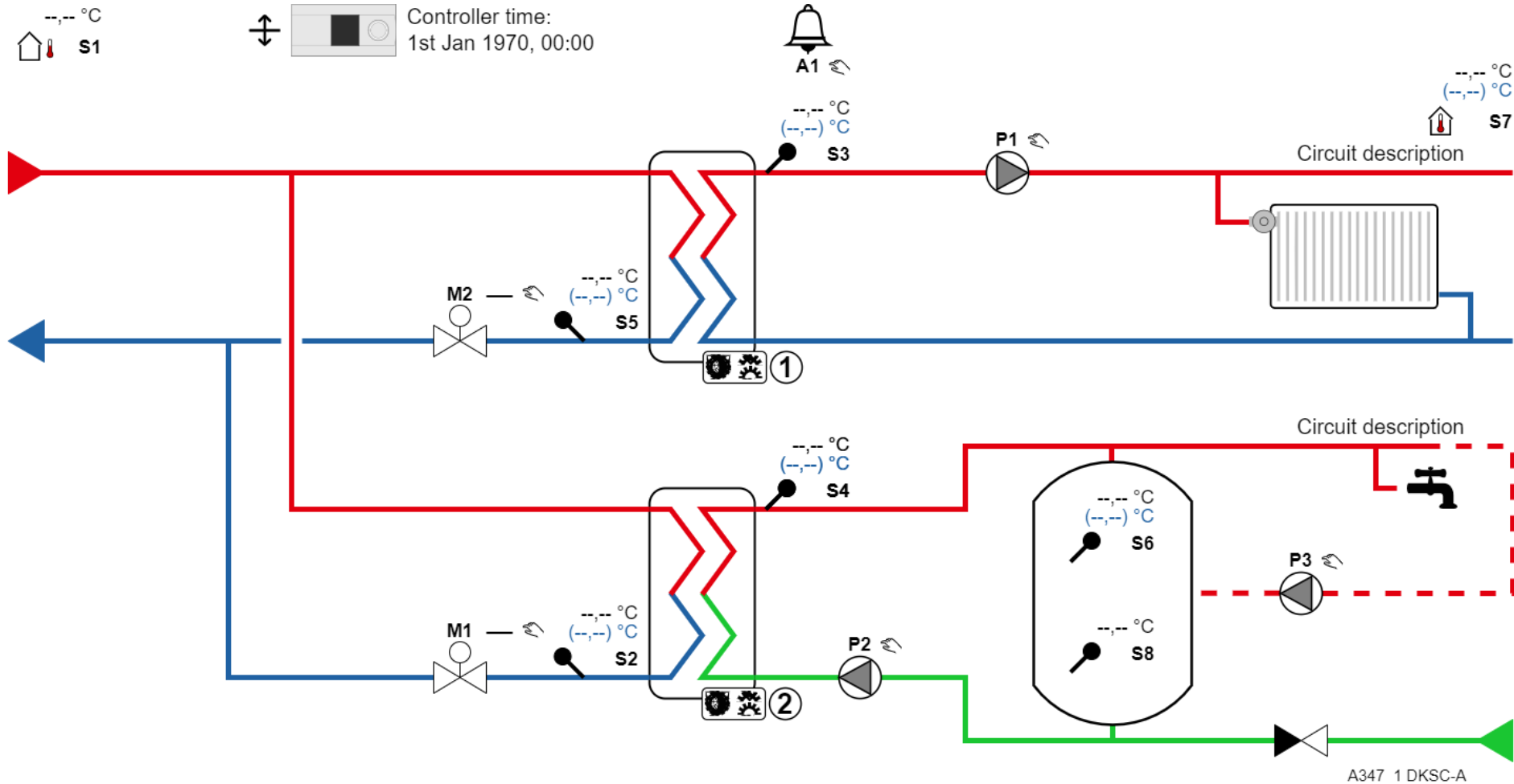
Leanheat® Monitor – A247.1 DKSC-B2



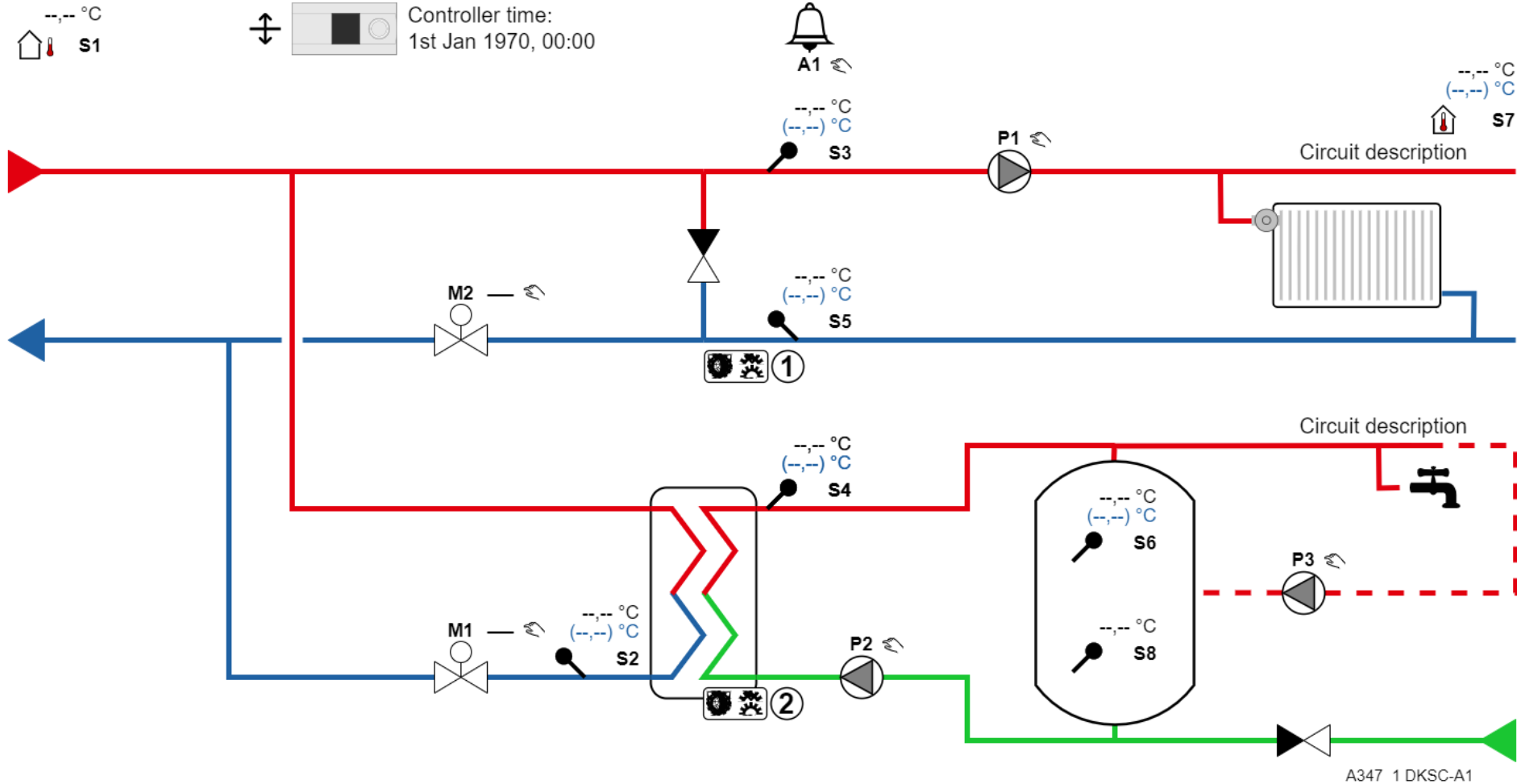
Leanheat® Monitor – A247.1 DKSC-B3



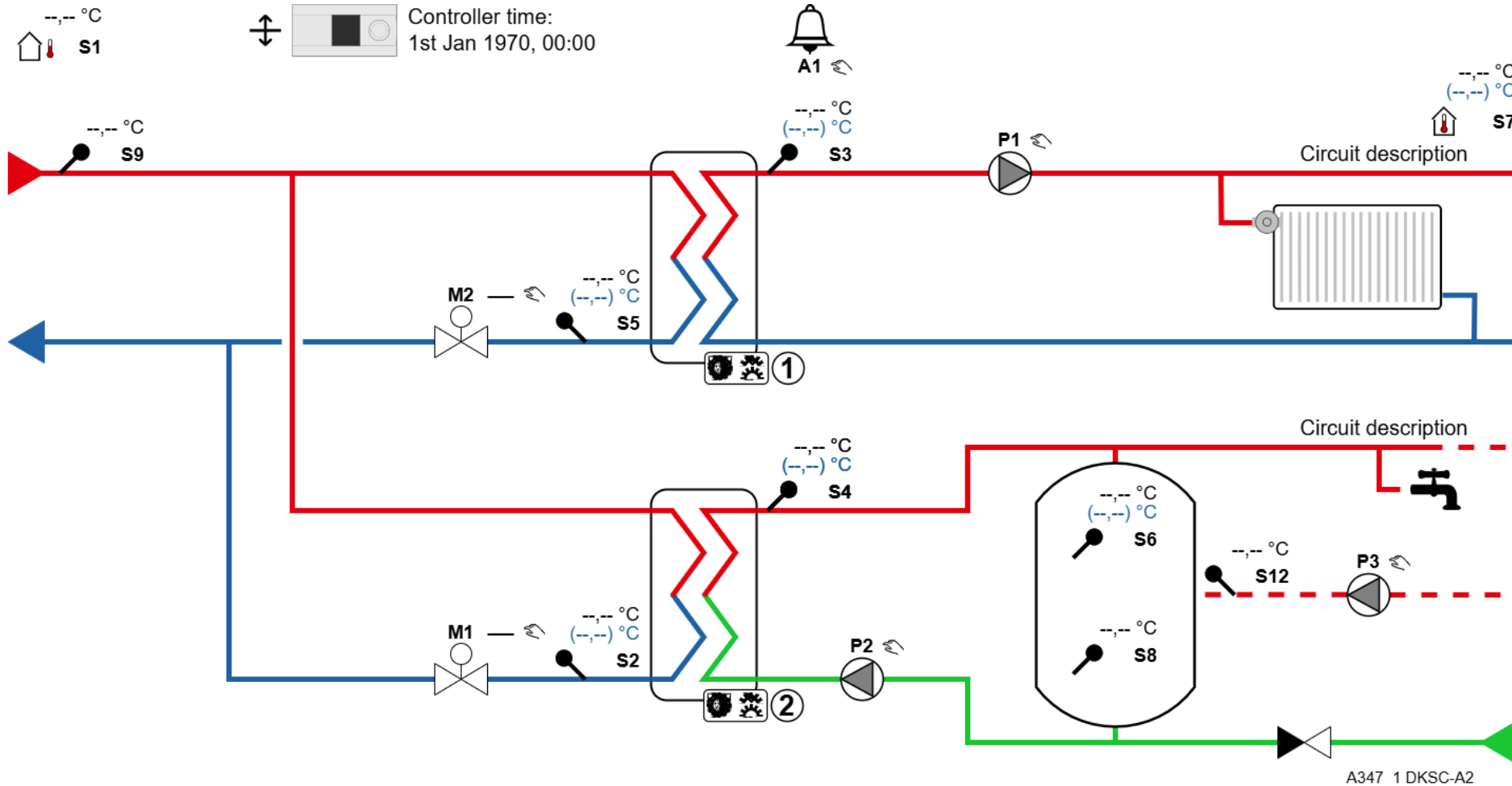
Leanheat® Monitor – A347.1 DKSC-A



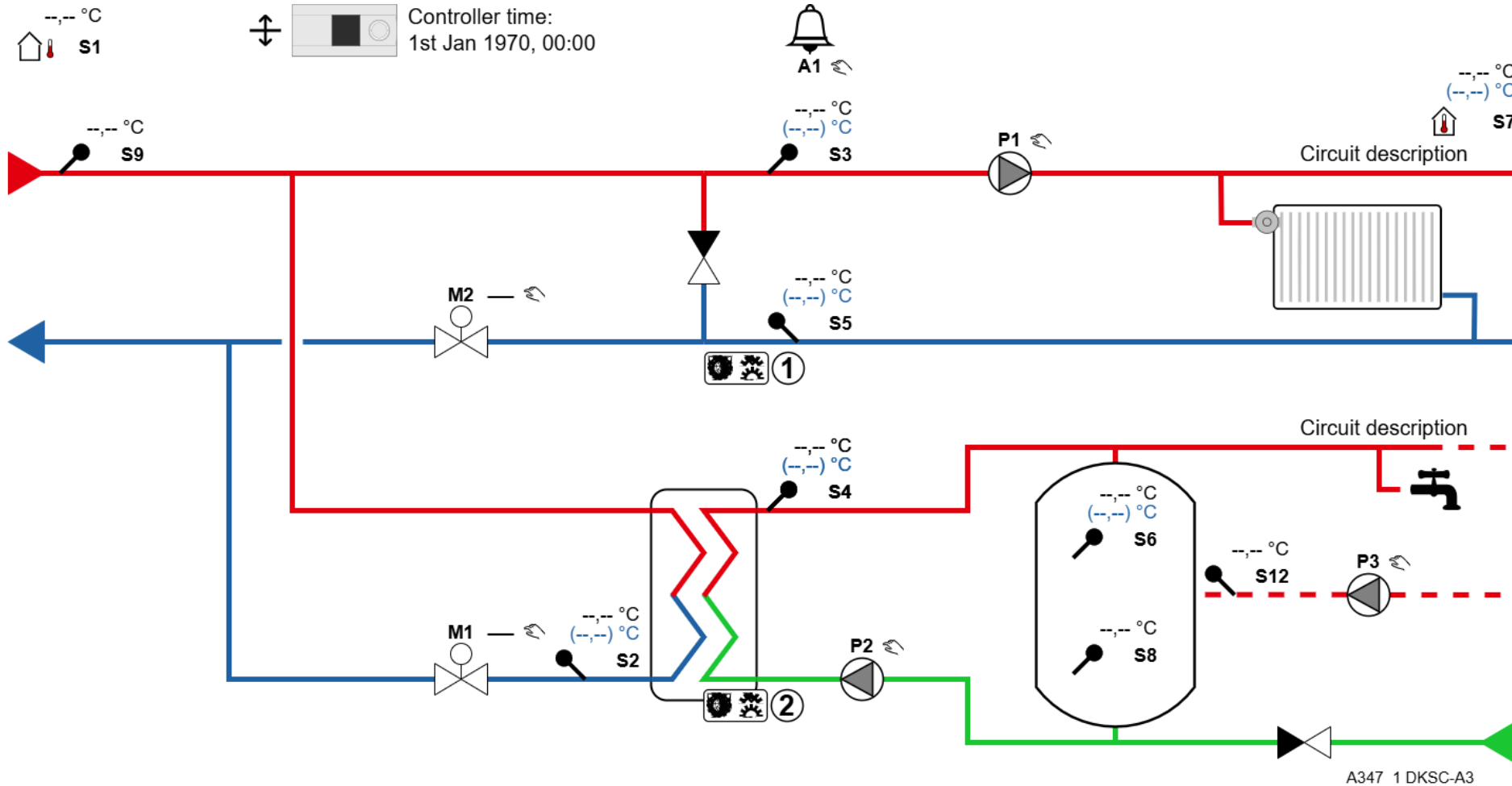
Leanheat® Monitor – A347.1 DKSC-A1



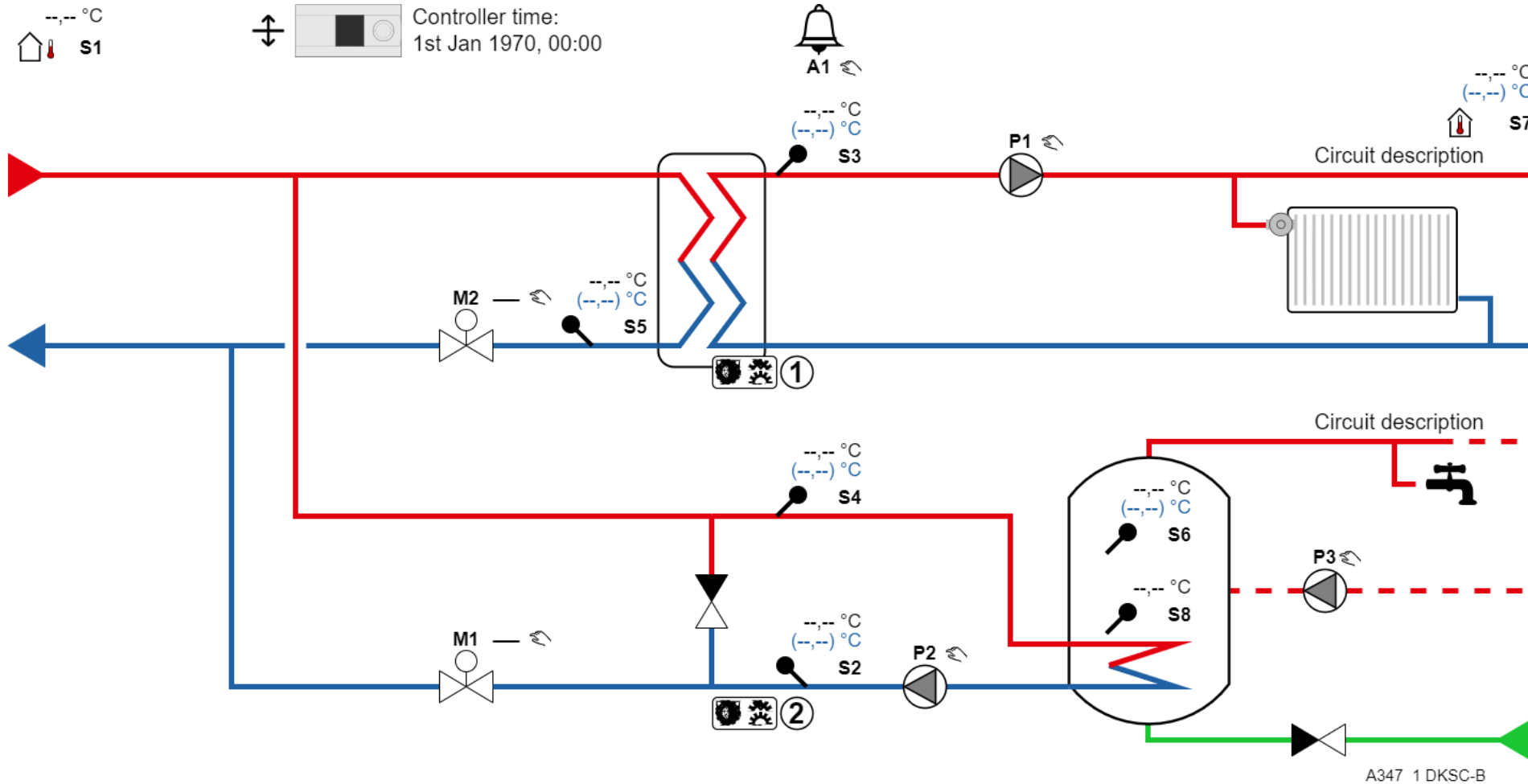
Leanheat® Monitor – A347.1 DKSC-A2



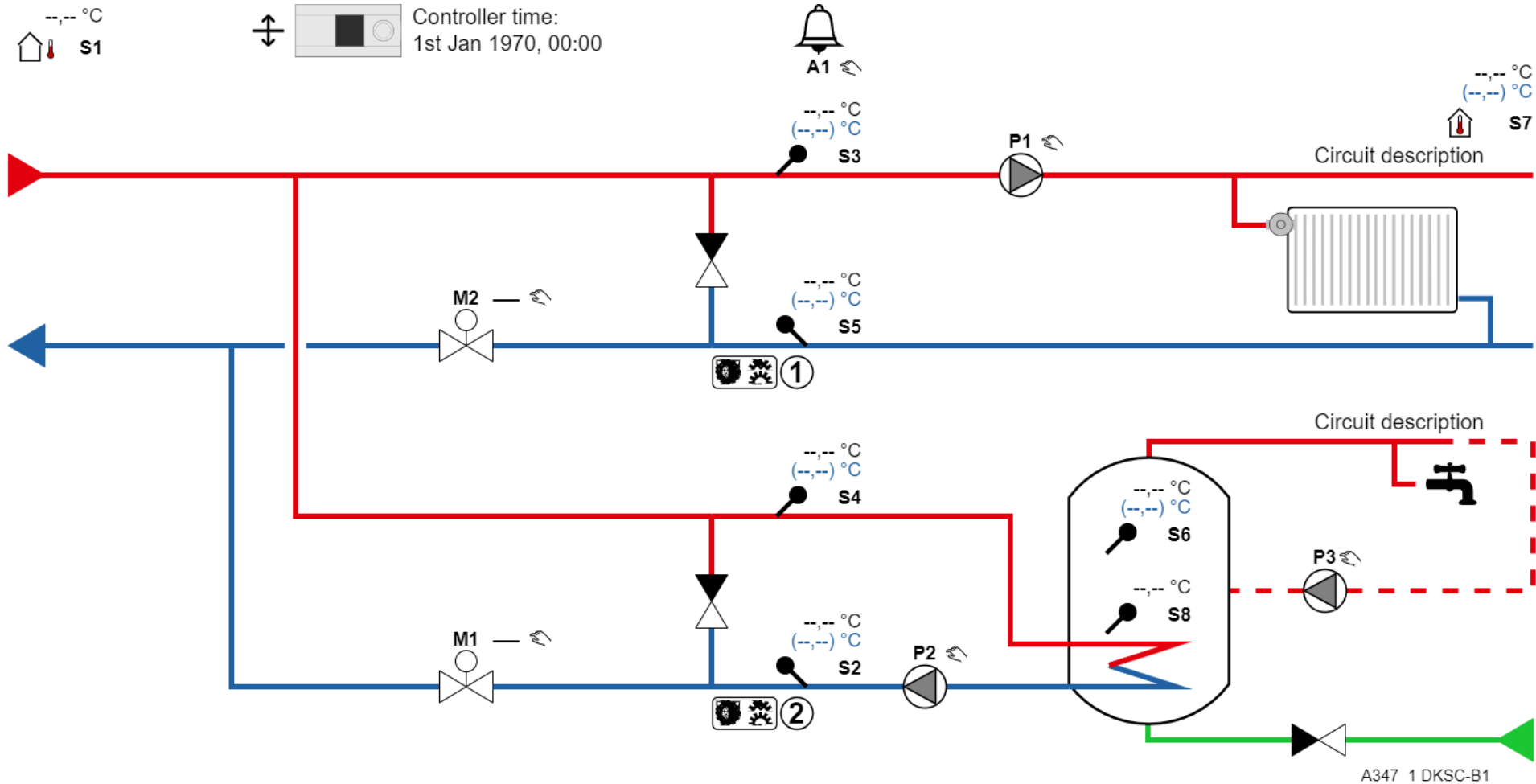
Leanheat® Monitor – A347.1 DKSC-A3



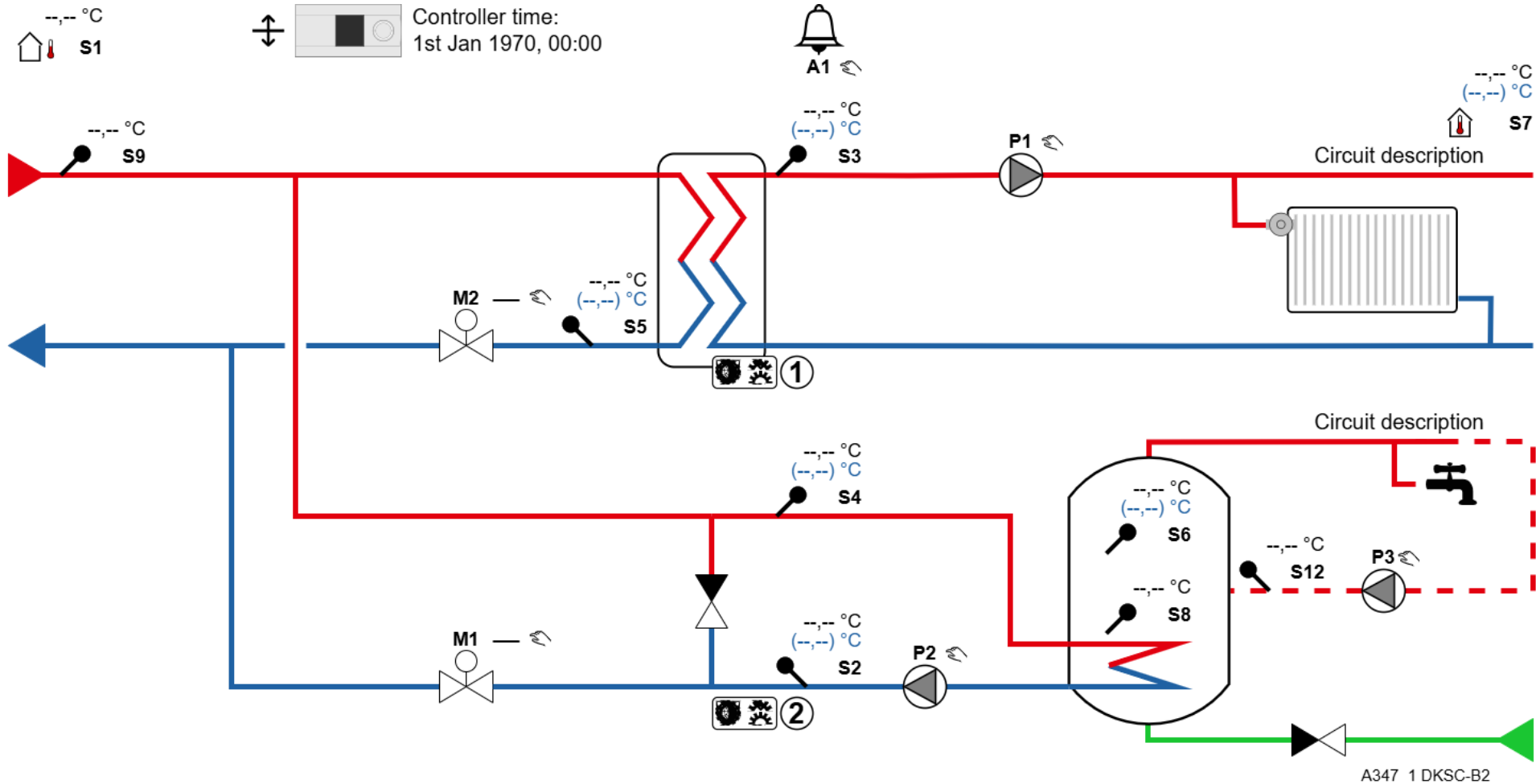
Leanheat® Monitor – A347.1 DKSC-B



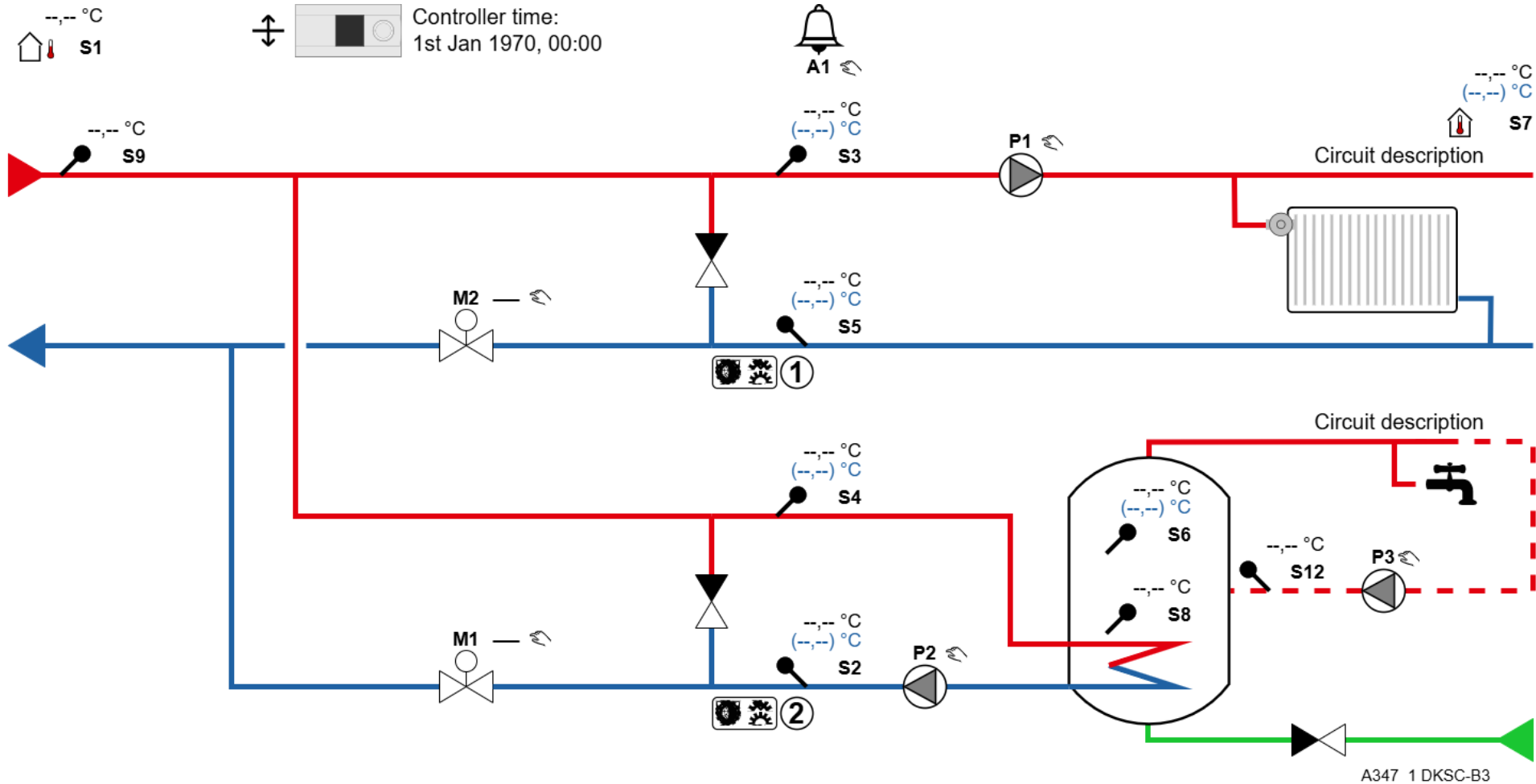
Leanheat® Monitor – A347.1 DKSC-B1



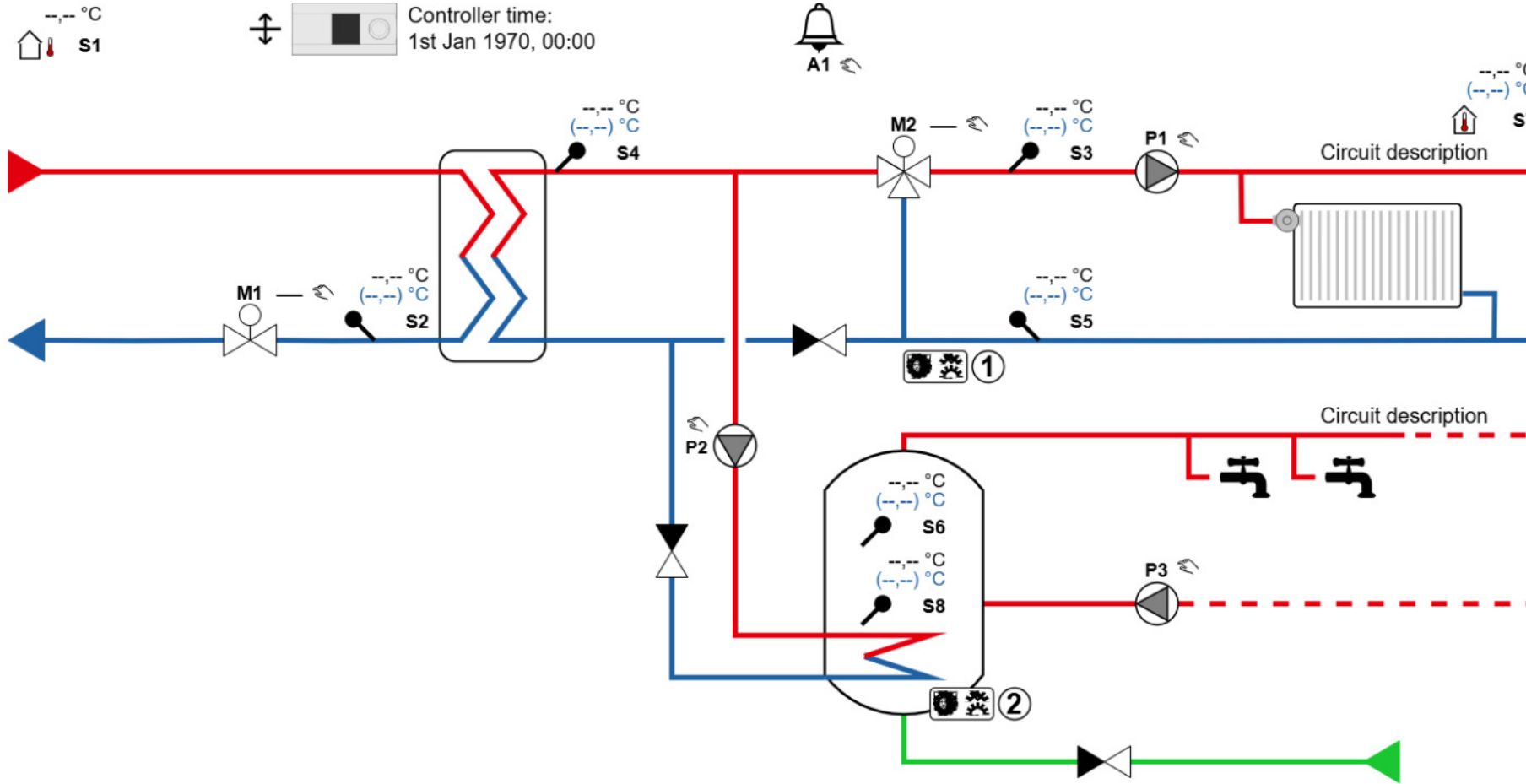
Leanheat® Monitor – A347.1 DKSC-B2



Leanheat® Monitor – A347.1 DKSC-B3

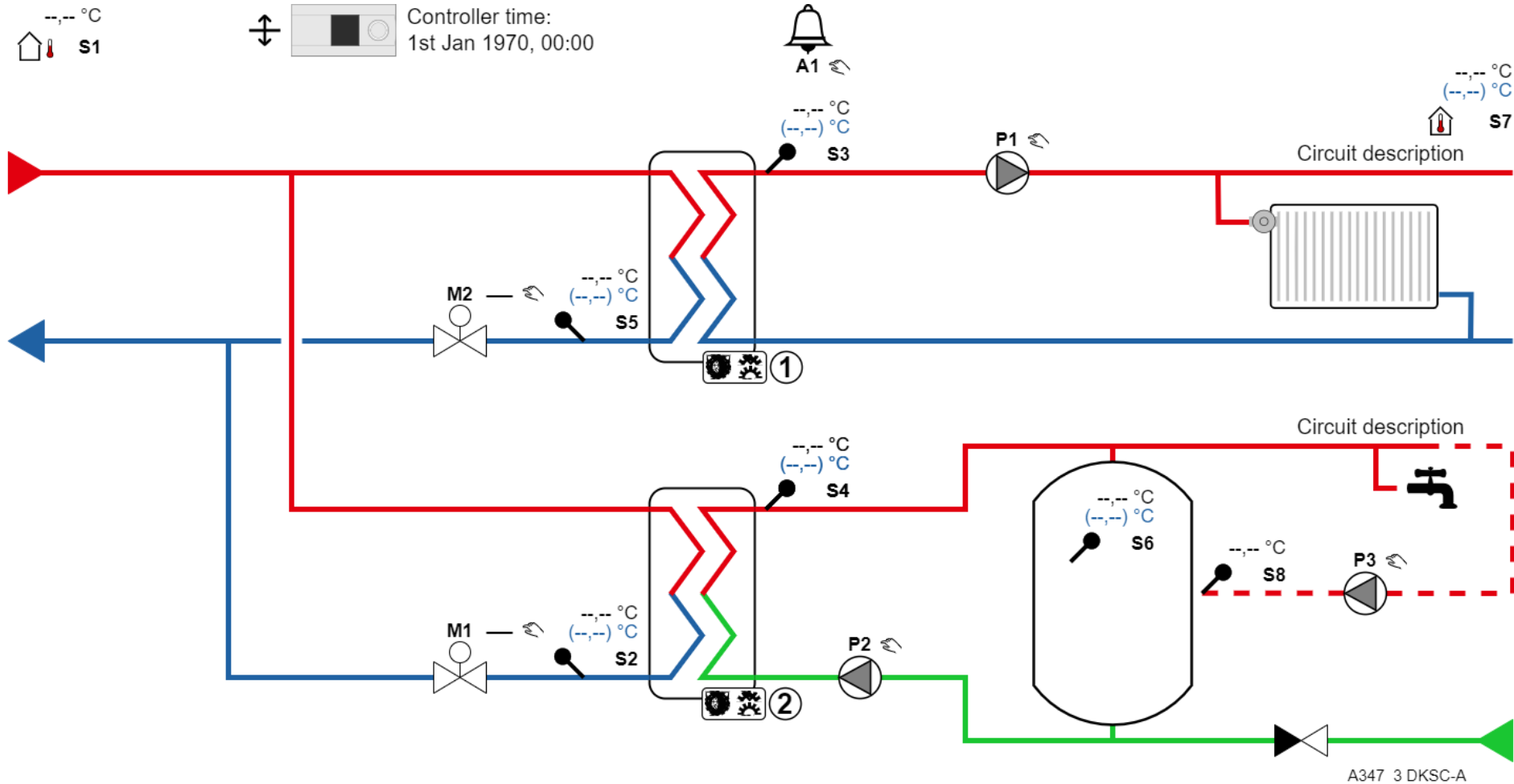


Leanheat® Monitor – A347.1 DKSC-C



A347 1 DKSC-C

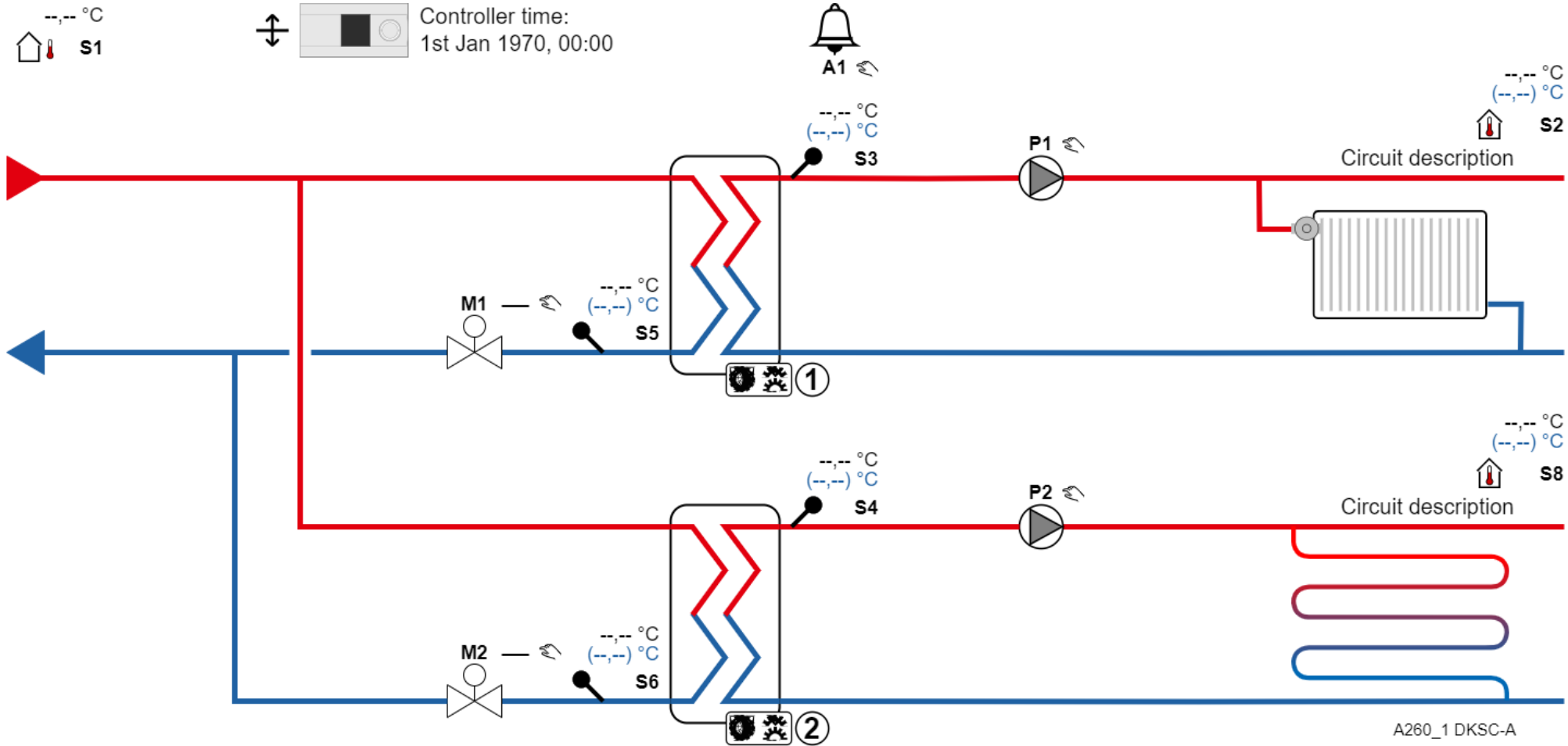
Leanheat® Monitor – A347.3 DKSC-A



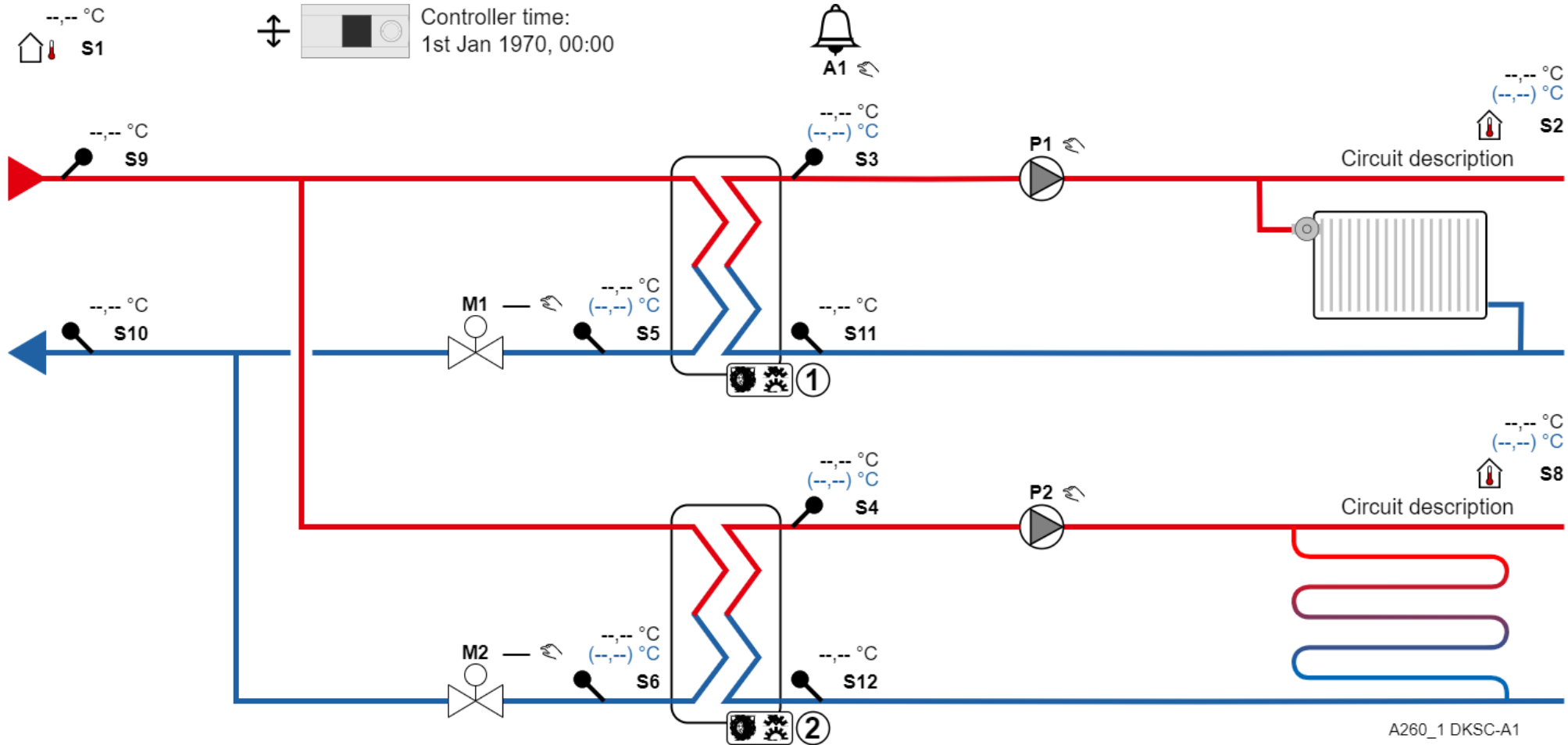
A260



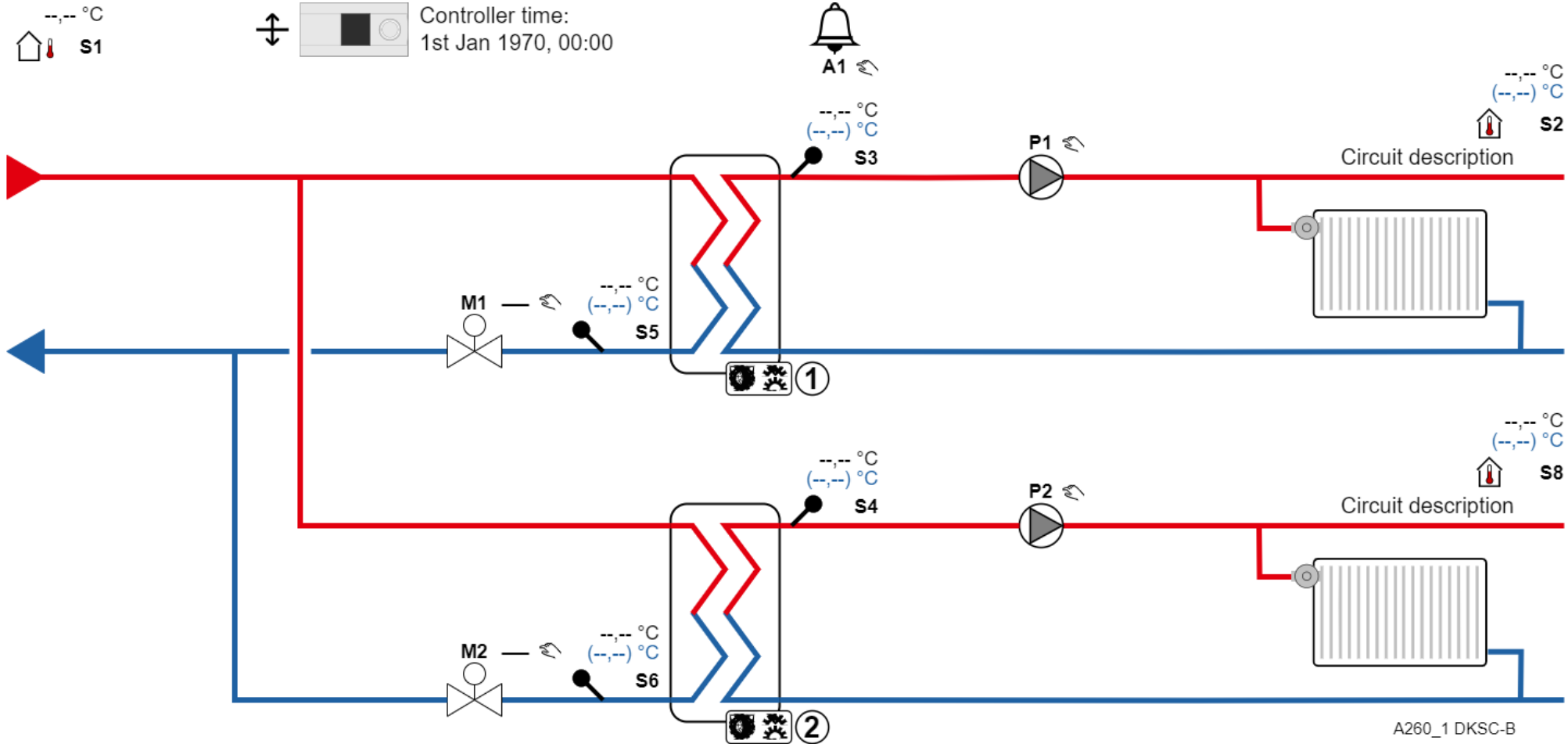
Leanheat® Monitor – A260.1 DKSC-A



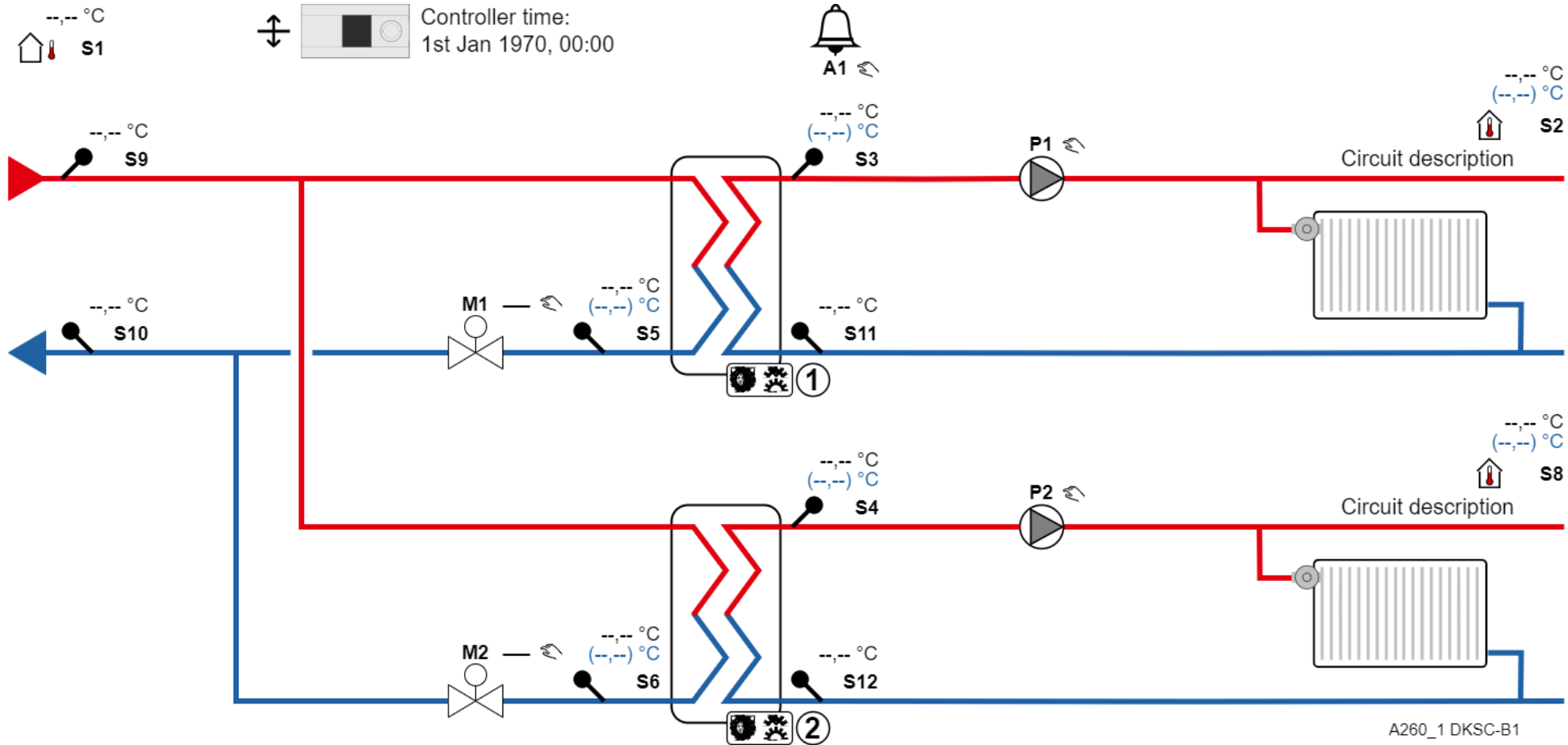
Leanheat® Monitor – A260.1 DKSC-A1



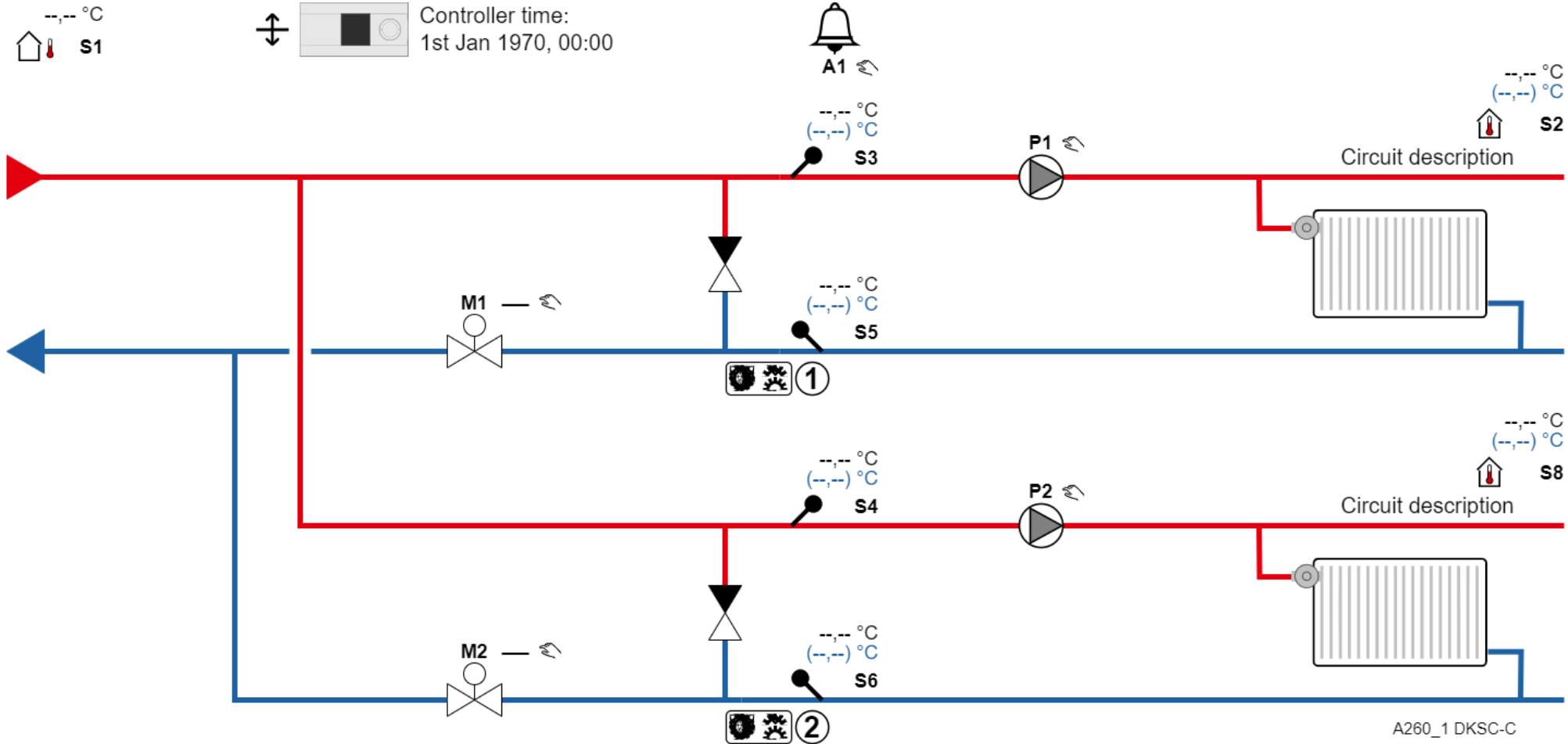
Leanheat® Monitor – A260.1 DKSC-B



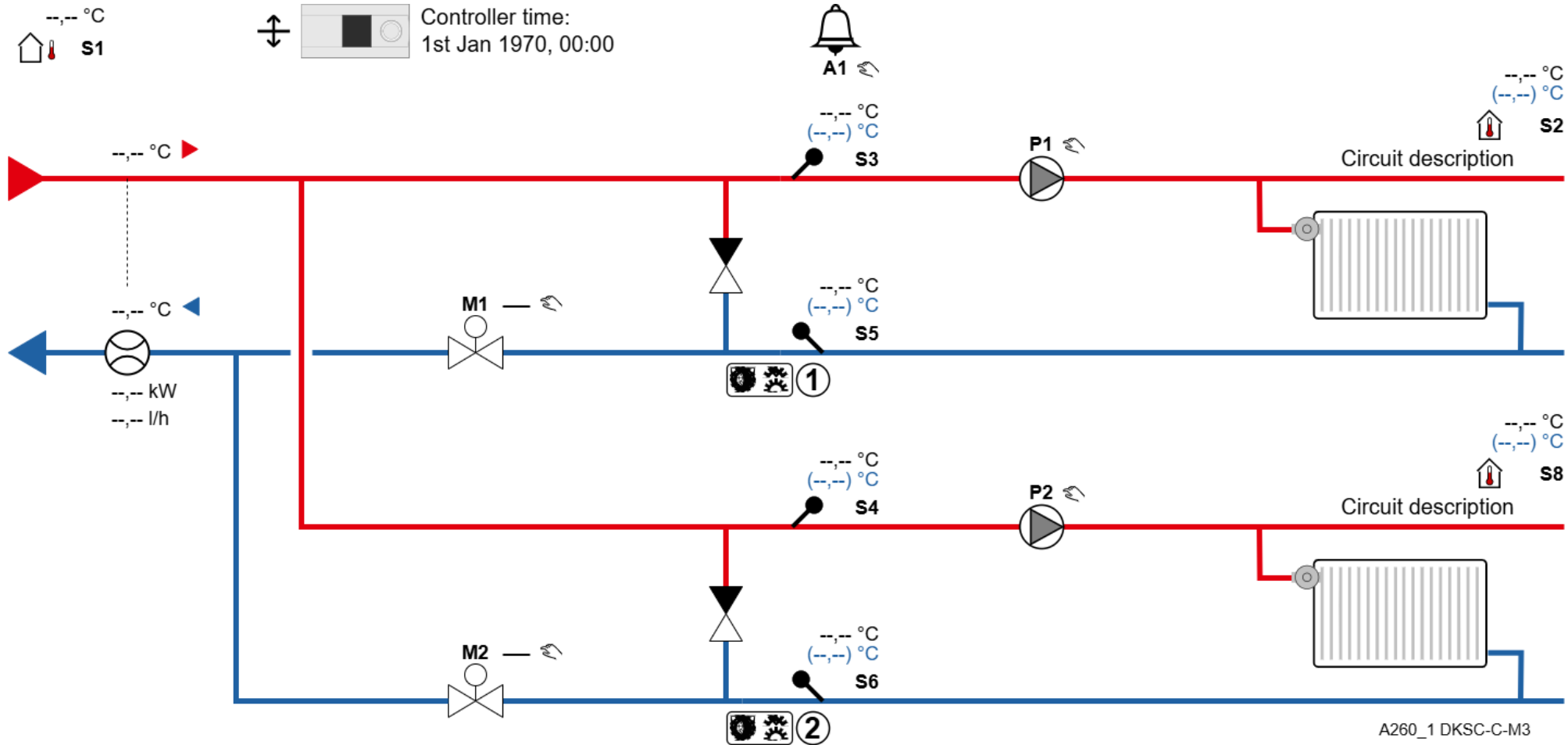
Leanheat® Monitor – A260.1 DKSC-B1



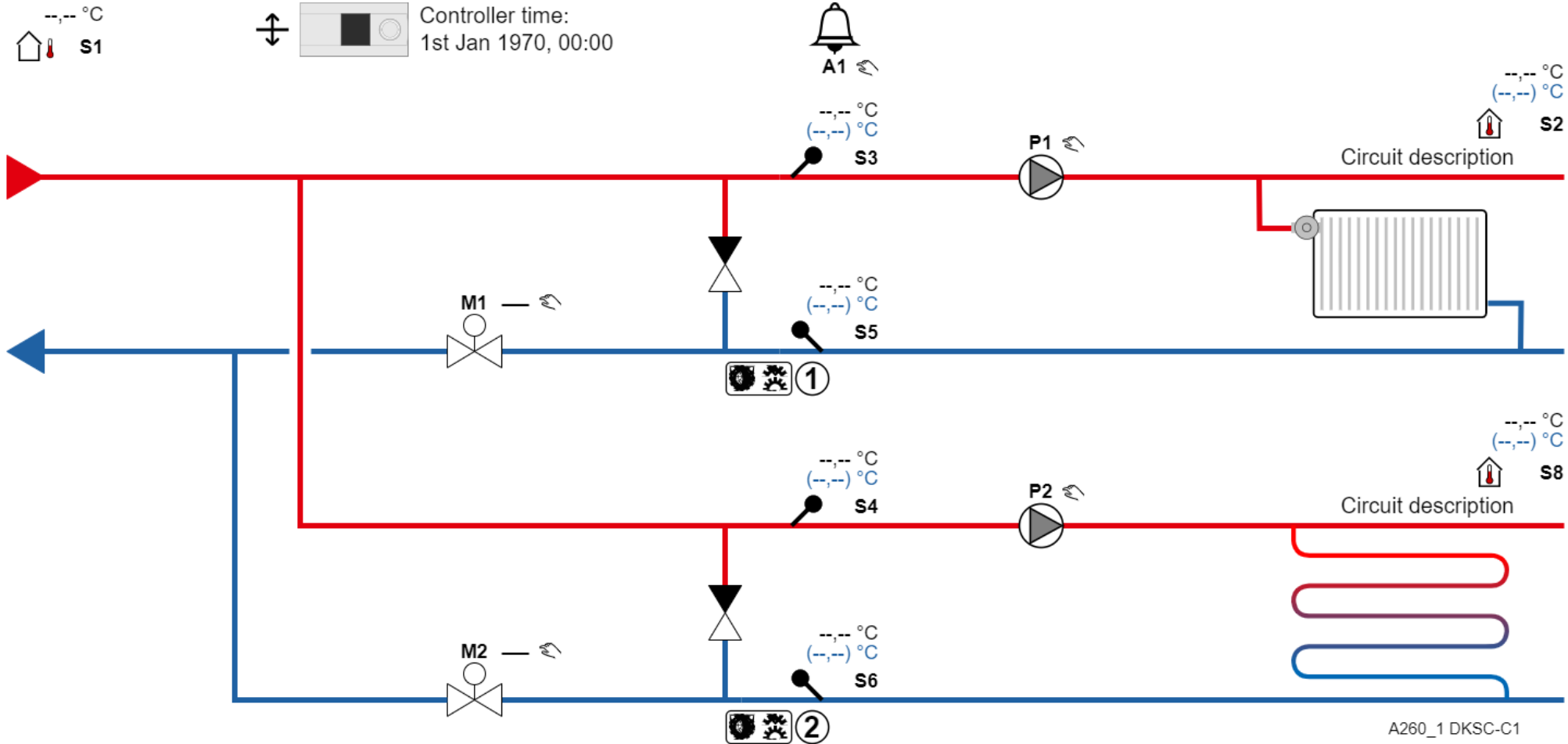
Leanheat® Monitor – A260.1 DKSC-C



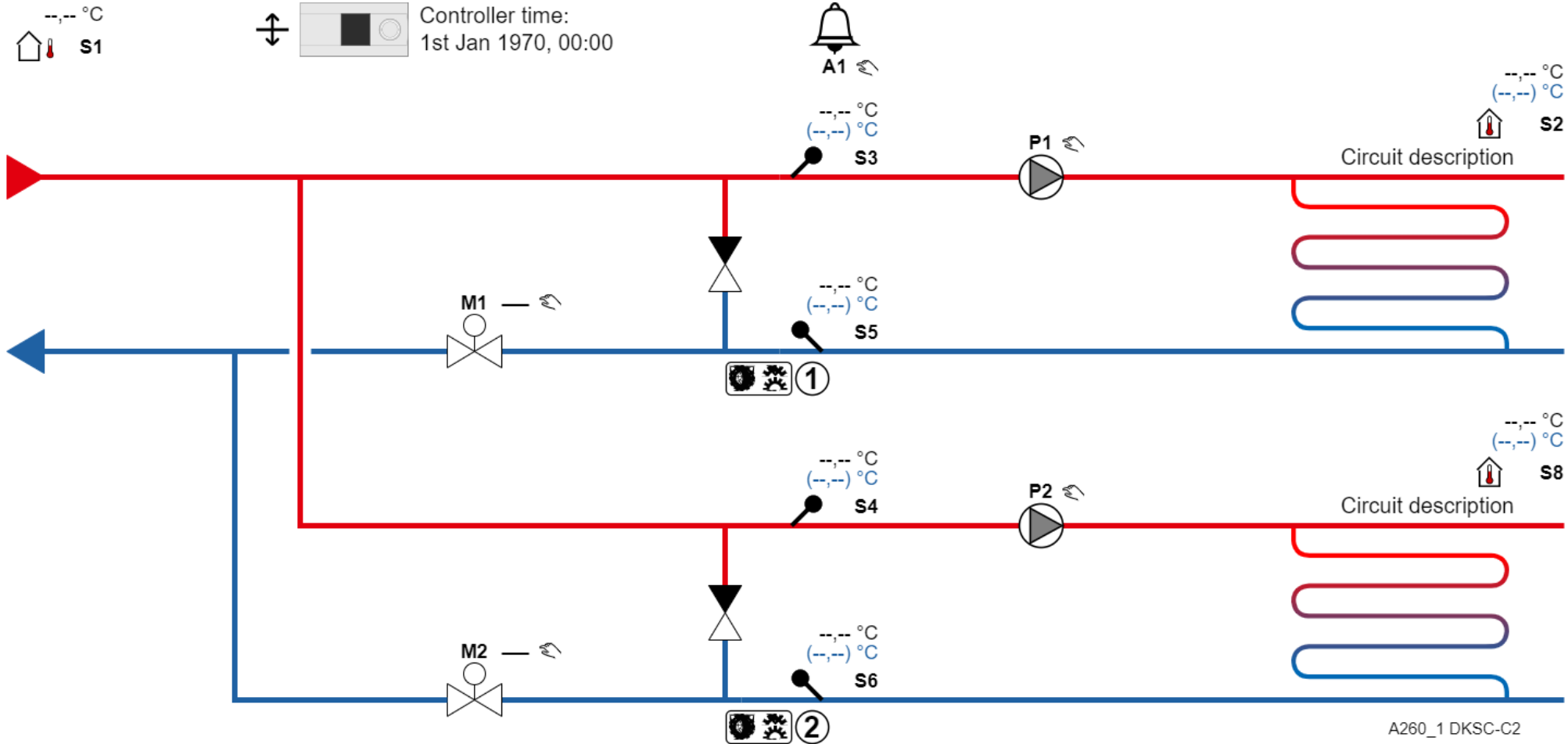
Leanheat® Monitor – A260.1 DKSC-C-M3



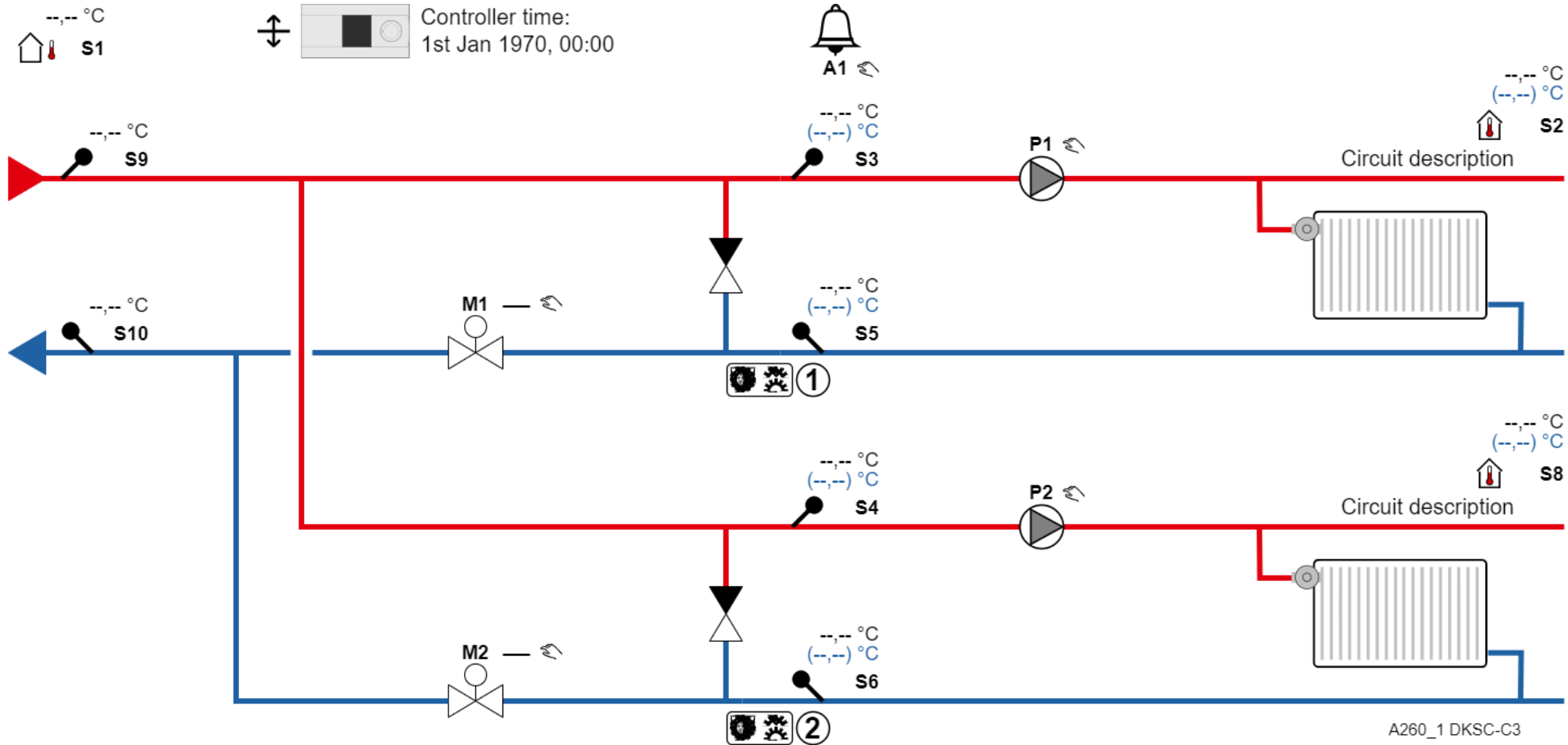
Leanheat® Monitor – A260.1 DKSC-C1



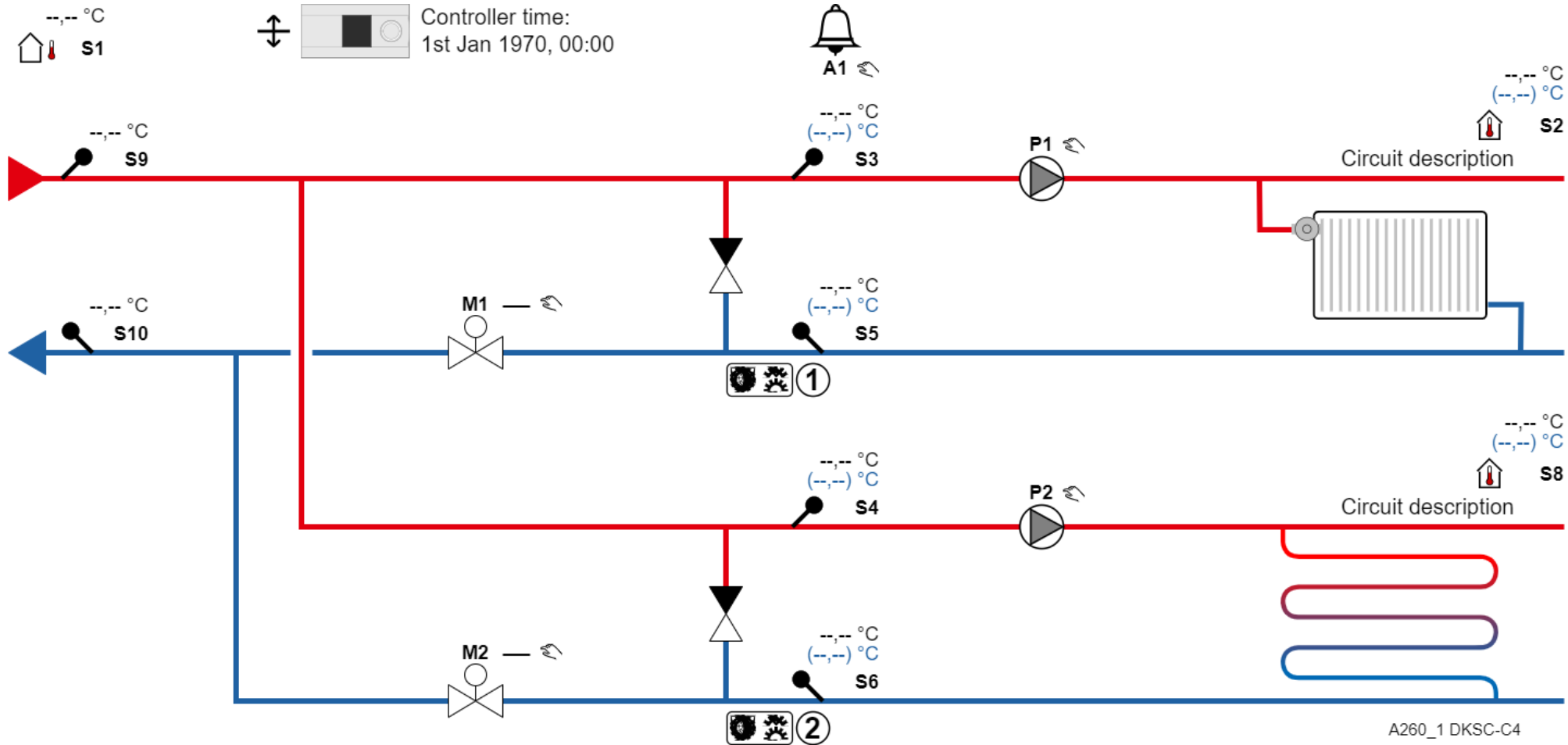
Leanheat® Monitor – A260.1 DKSC-C2



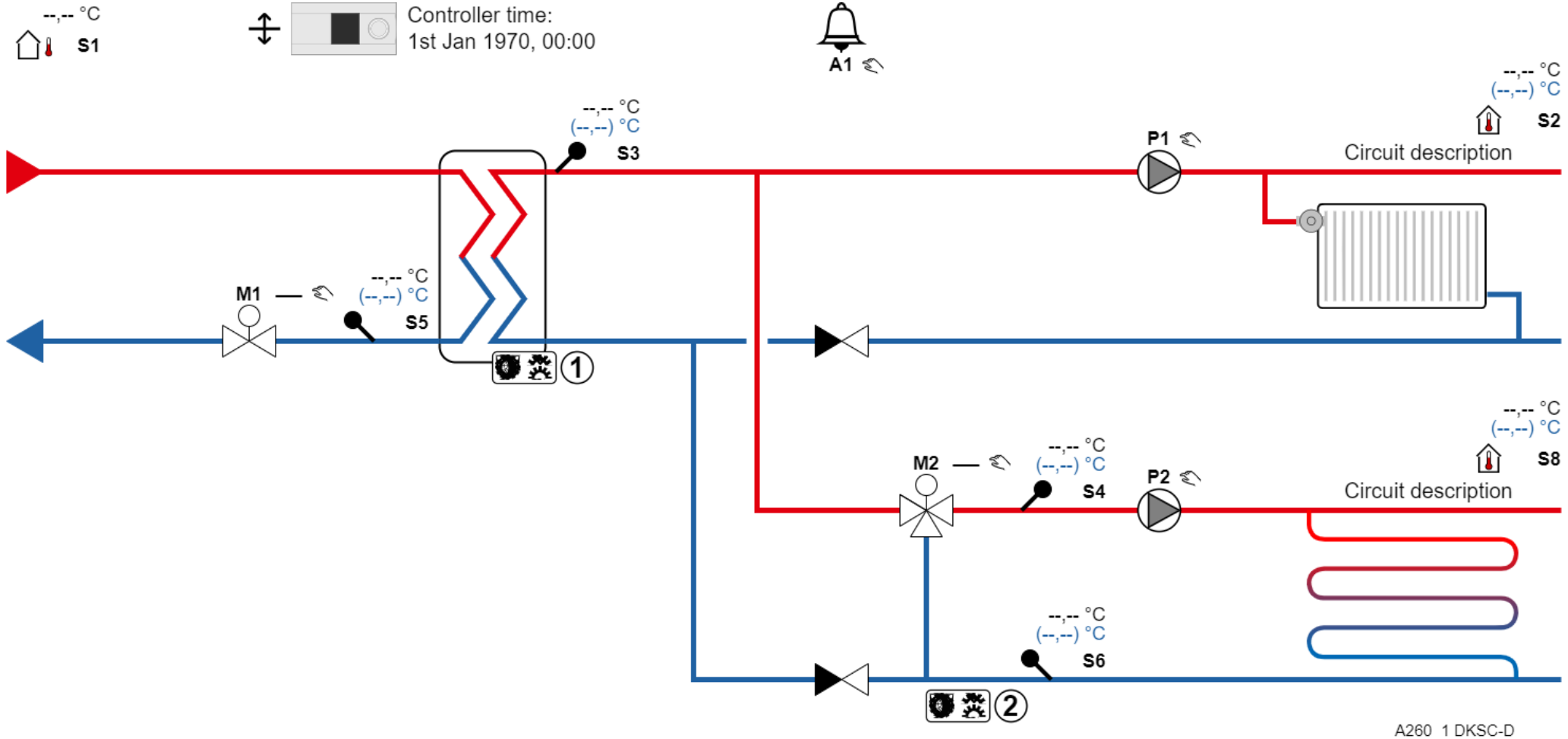
Leanheat® Monitor – A260.1 DKSC-C3



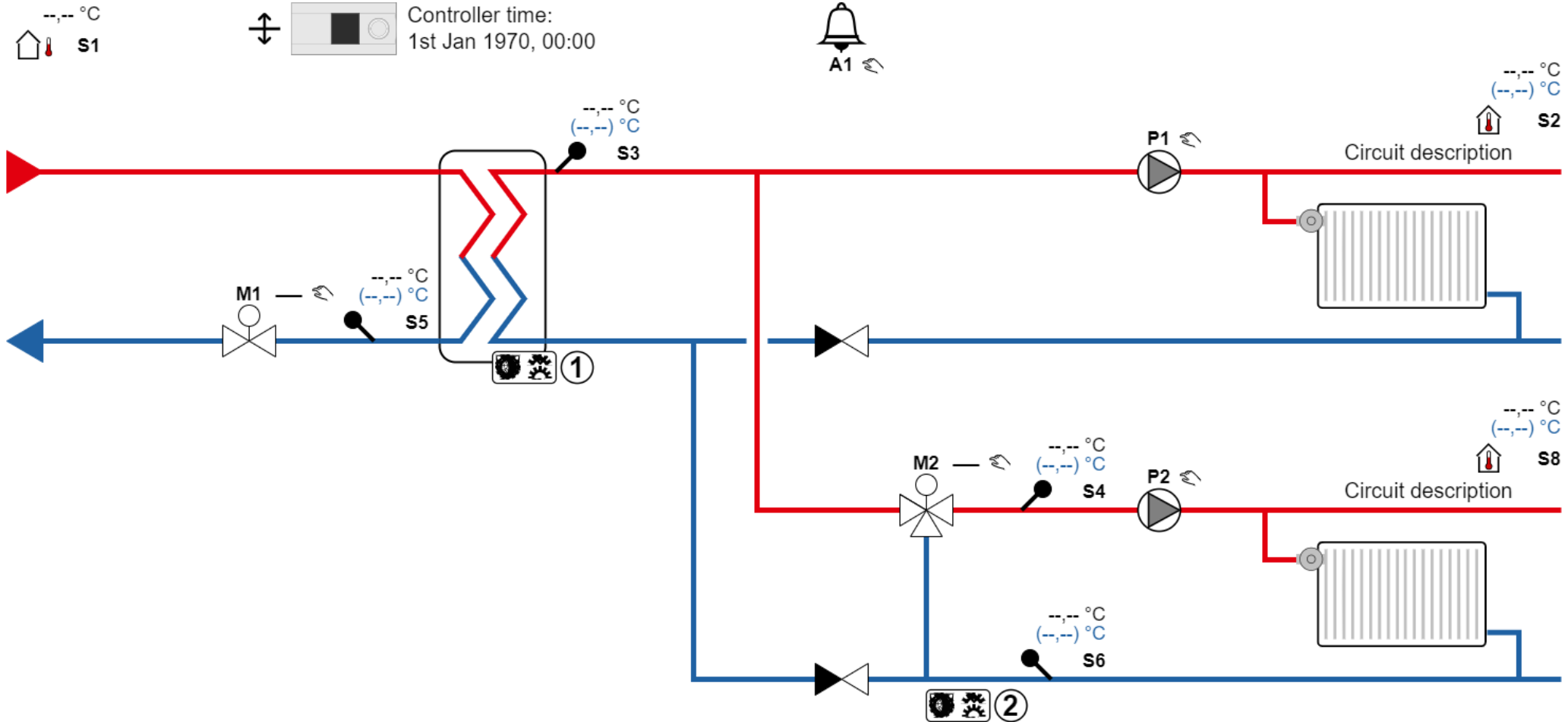
Leanheat® Monitor – A260.1 DKSC-C4



Leanheat® Monitor – A260.1 DKSC-D

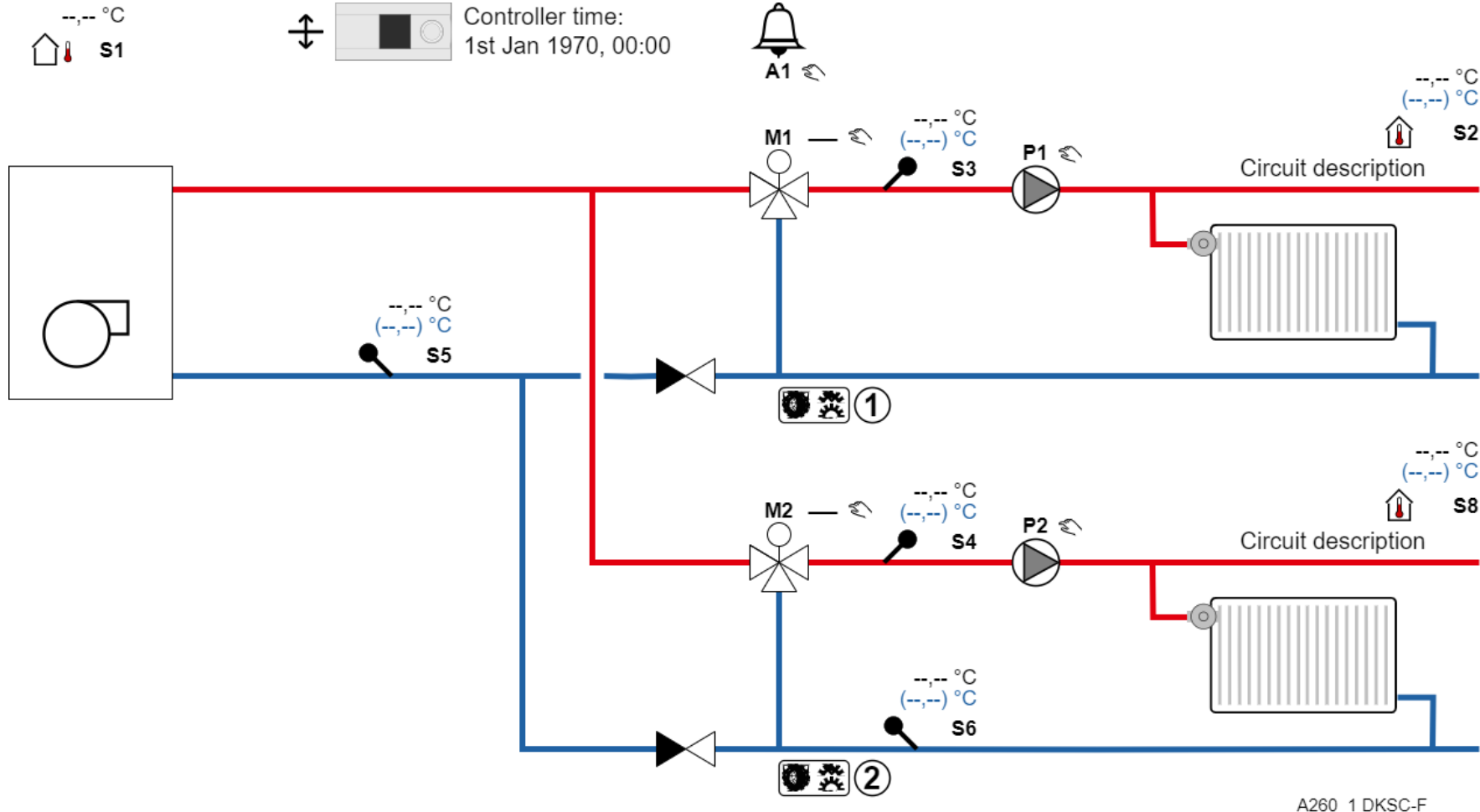


Leanheat® Monitor – A260.1 DKSC-D1

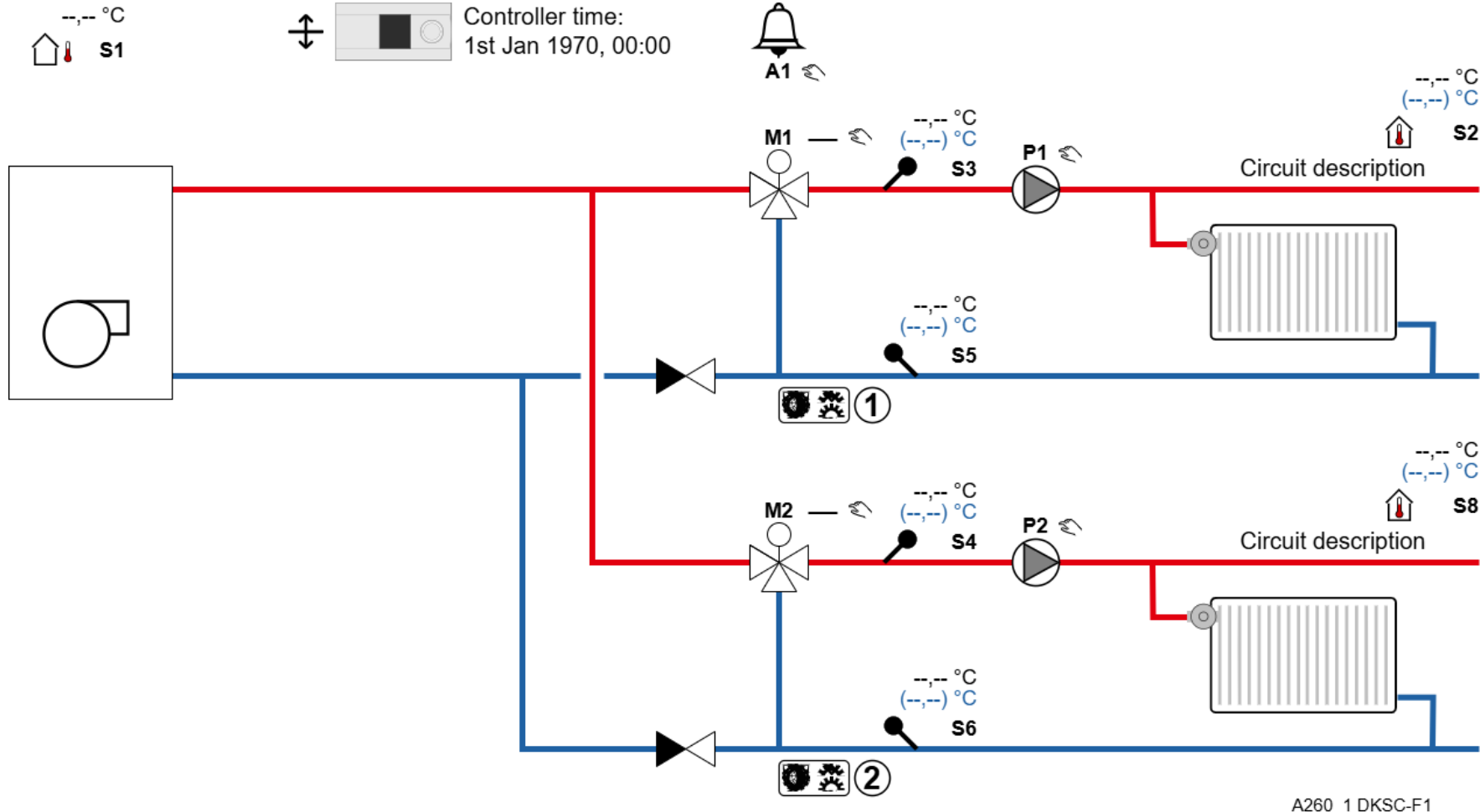


A260 1 DKSC-D1

Leanheat® Monitor – A260.1 DKSC-F



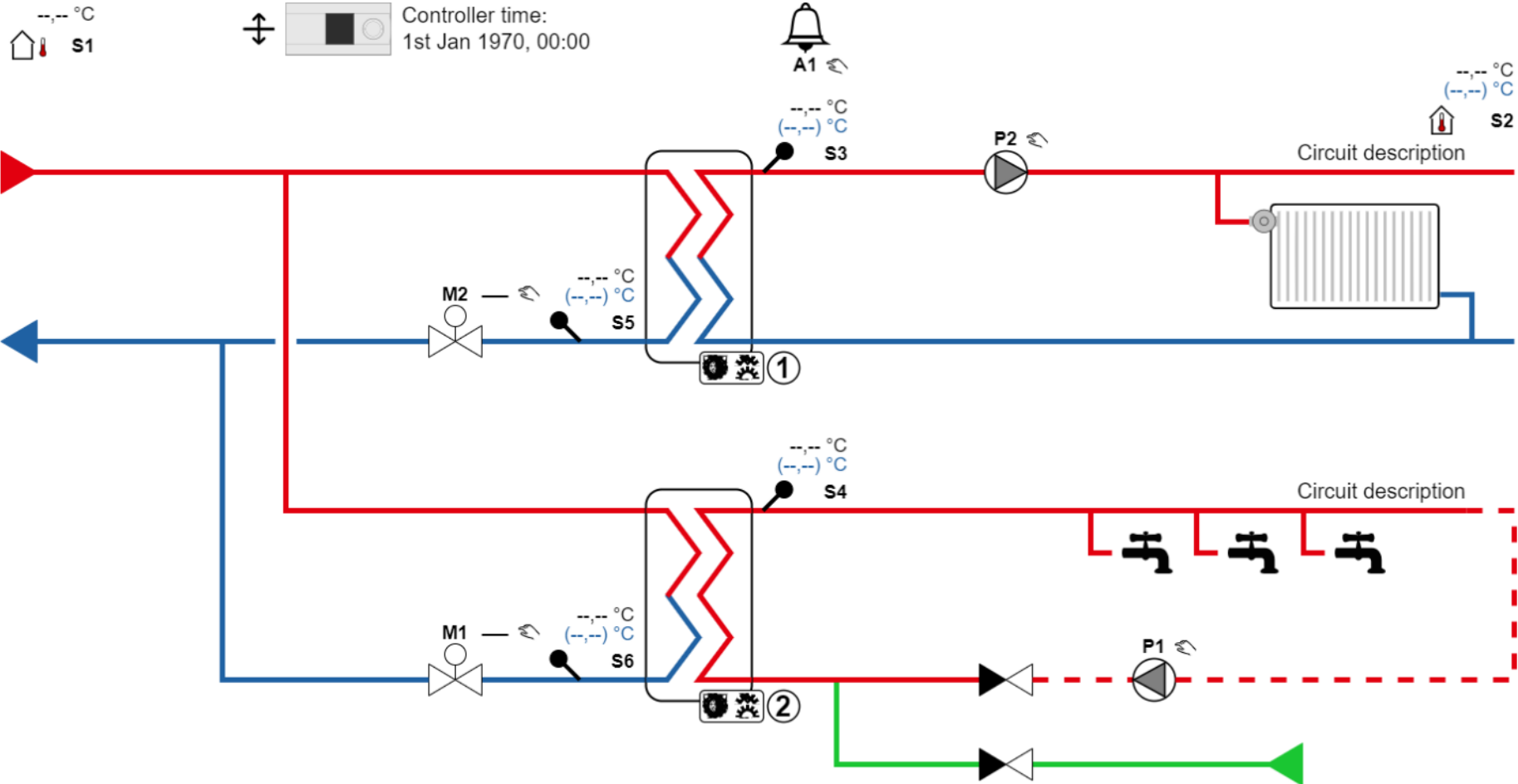
Leanheat® Monitor – A260.1 DKSC-F1



A266



Leanheat® Monitor – A266.1 DKSC-A



--- °C
S1

Controller time:
1st Jan 1970, 00:00

A1

--- °C
(---) °C
S3

P2

--- °C
(---) °C
S2

Circuit description

M2

--- °C
(---) °C
S5

1

--- °C
(---) °C
S4

Circuit description

M1

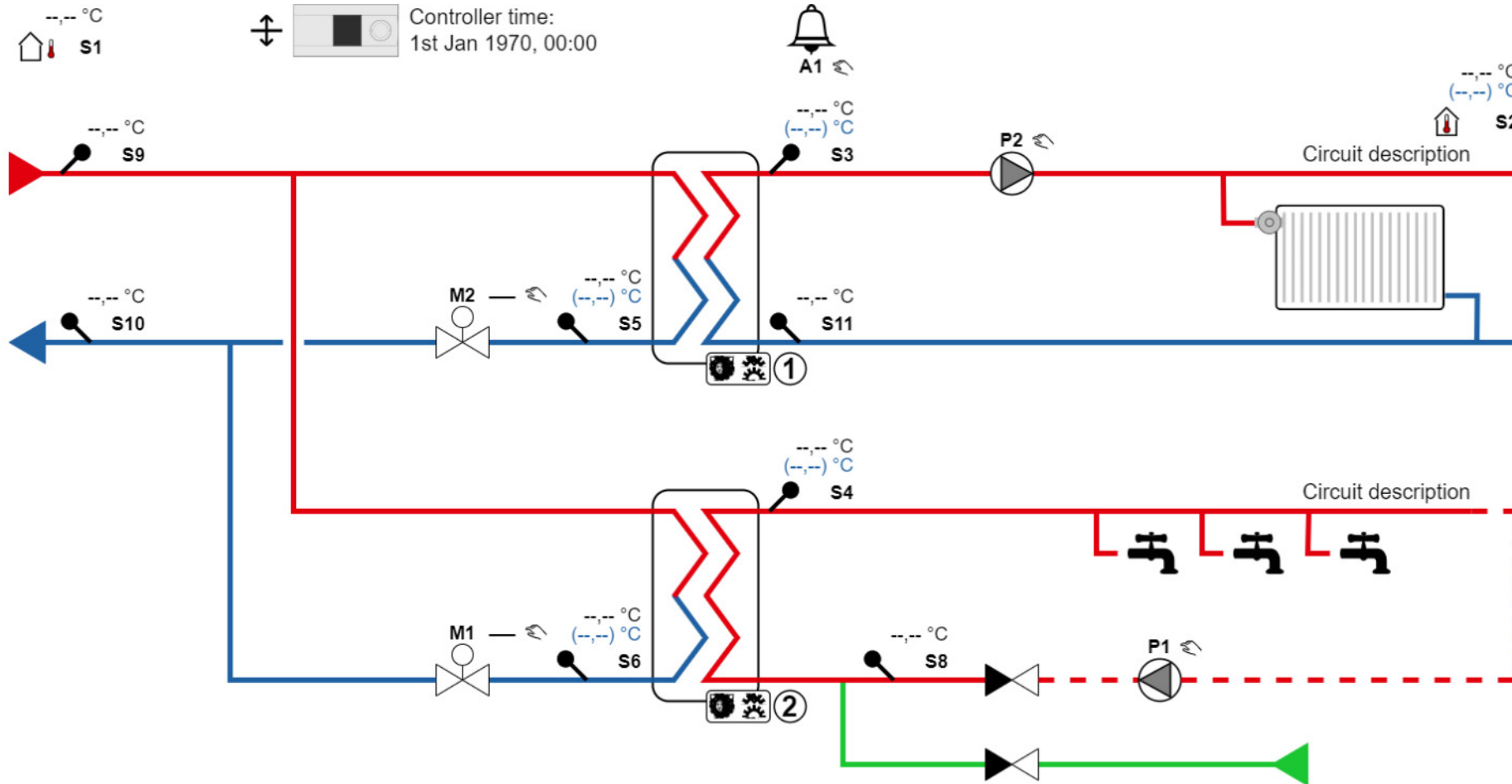
--- °C
(---) °C
S6

2

P1

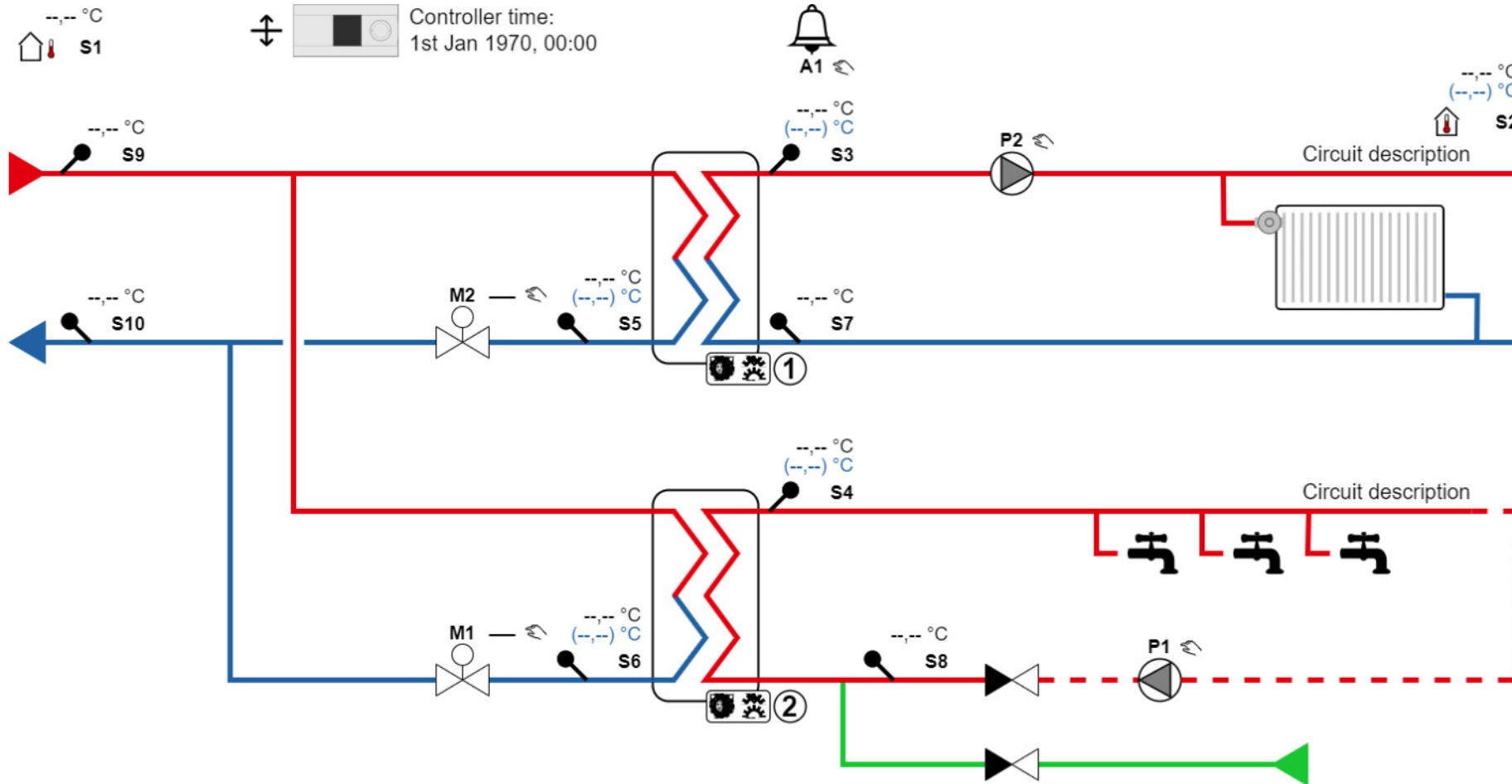
A266 1 DKSC-A

Leanheat® Monitor – A266.1 DKSC-A1



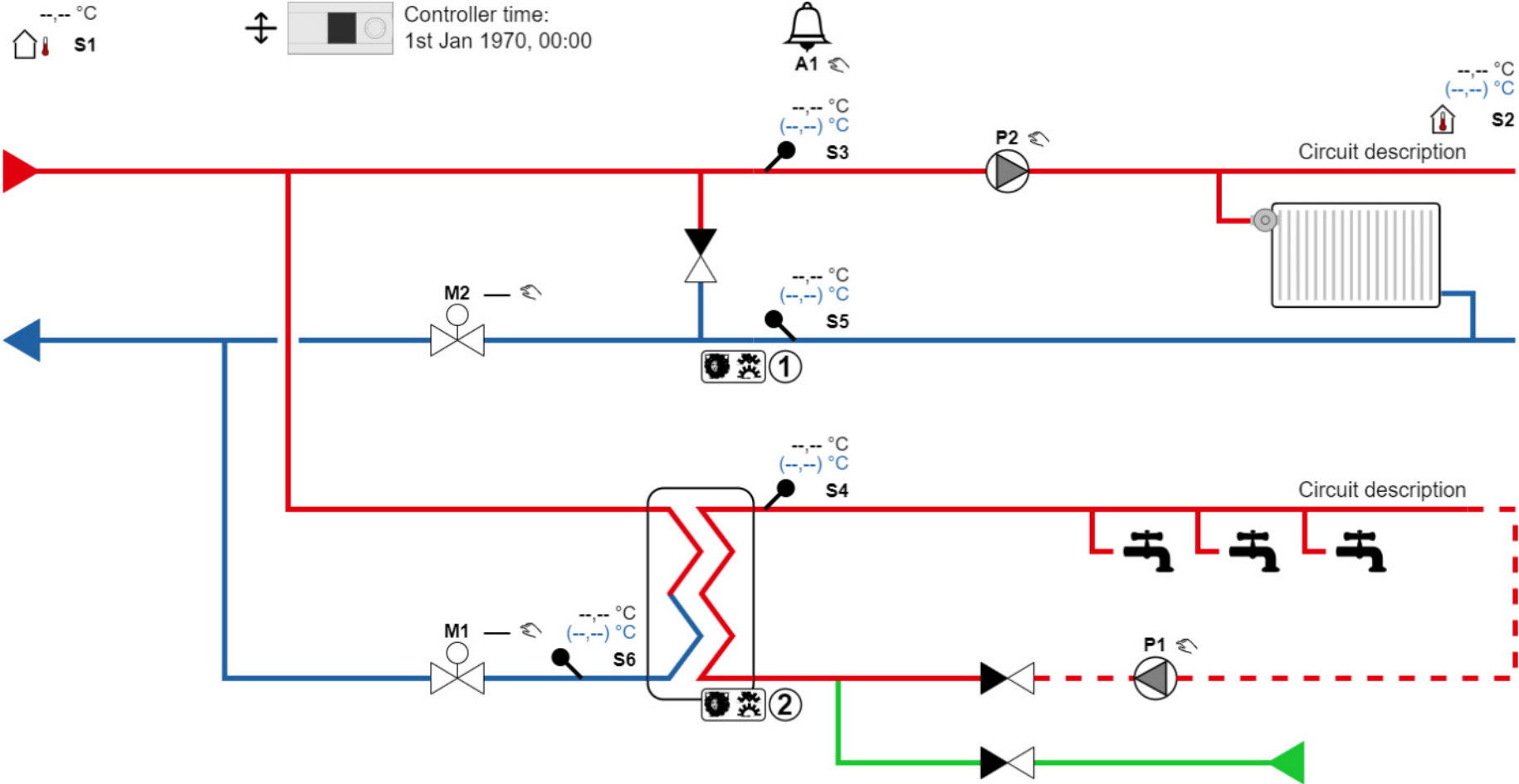
A266 1 DKSC-A1

Leanheat® Monitor – A266.1 DKSC-A4



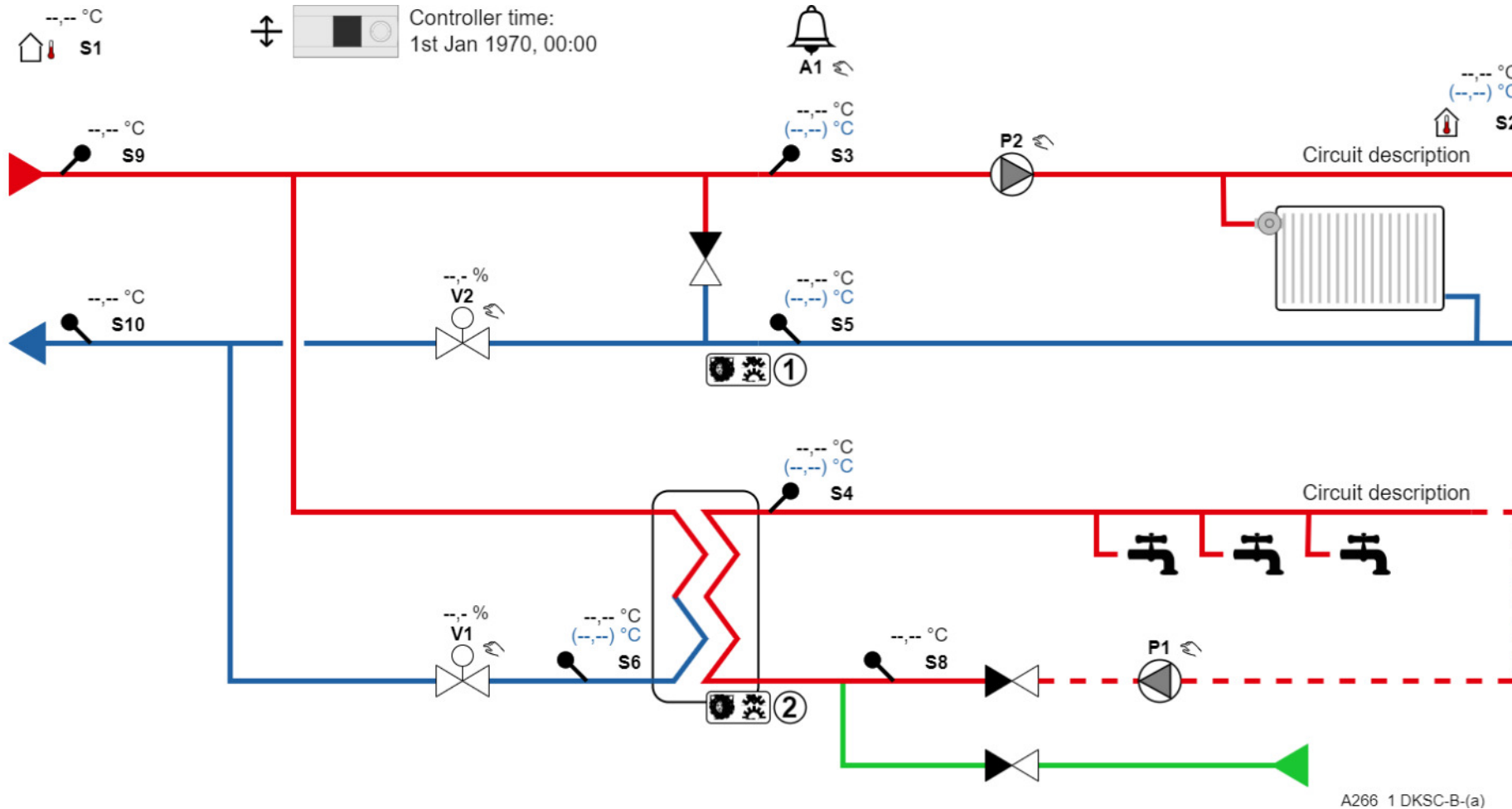
A266 1 DKSC-A4

Leanheat® Monitor – A266.1 DKSC-B

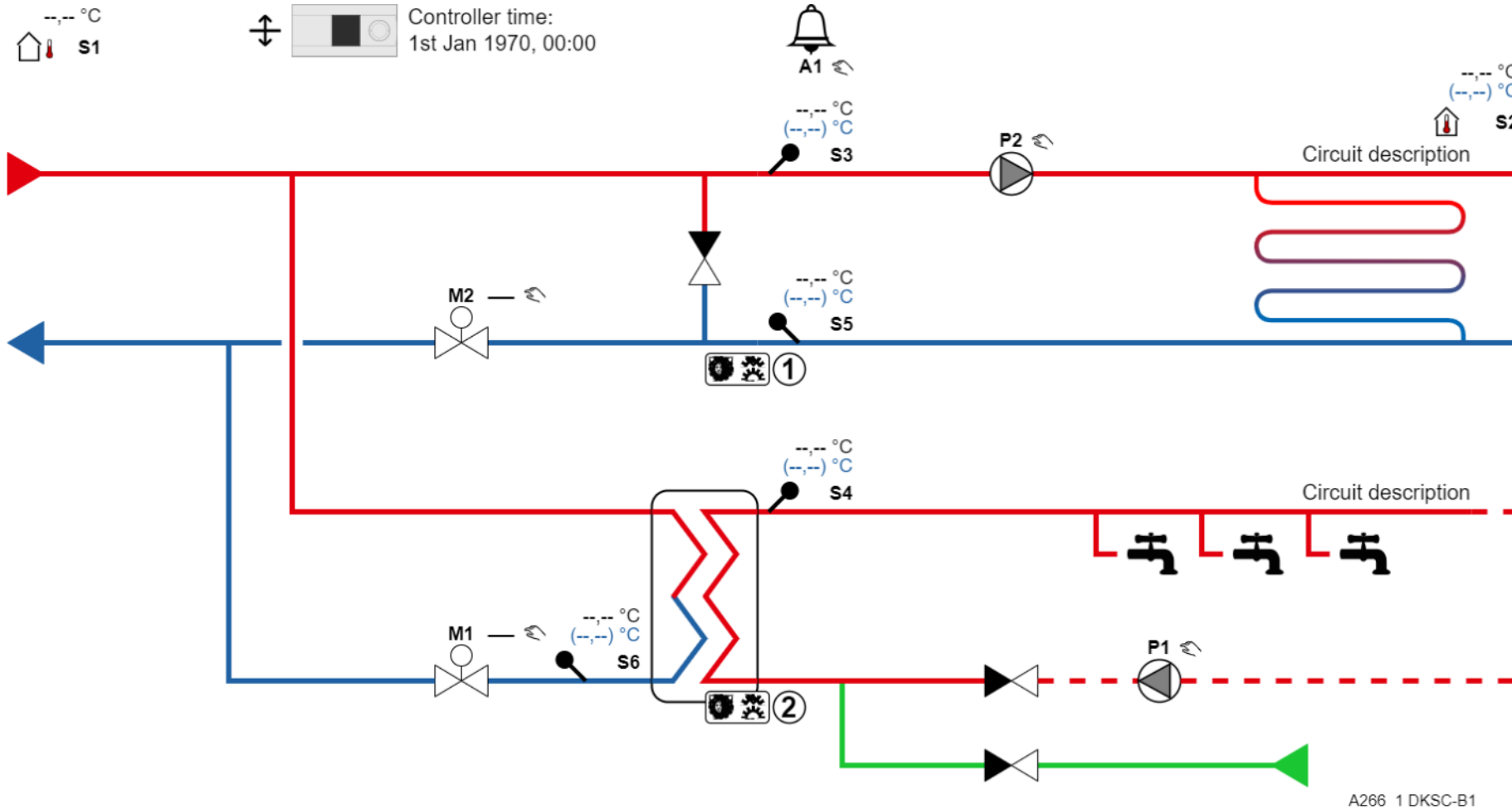


A266 1 DKSC-B

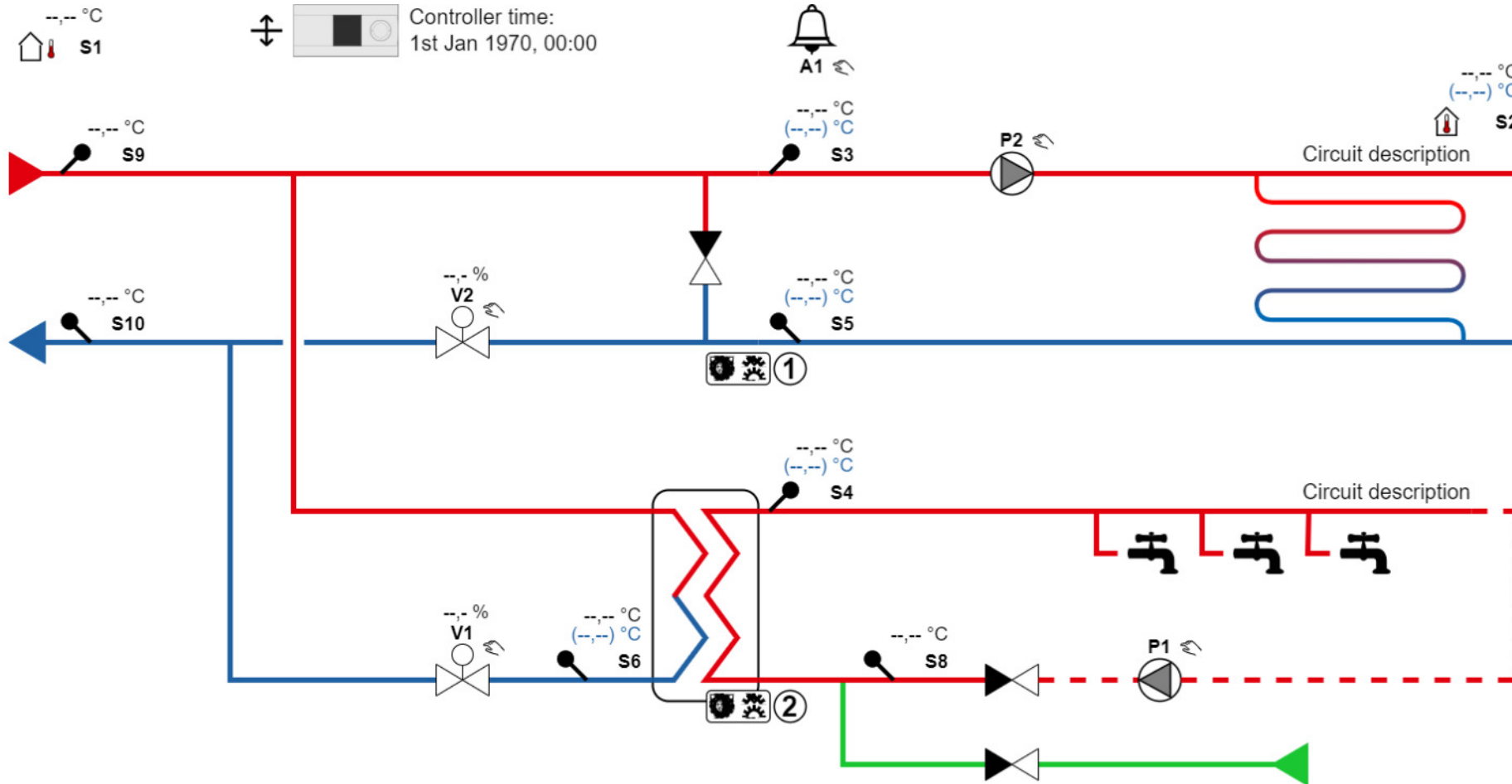
Leanheat® Monitor – A266.1 DKSC-B-(a)



Leanheat® Monitor – A266.1 DKSC-B1

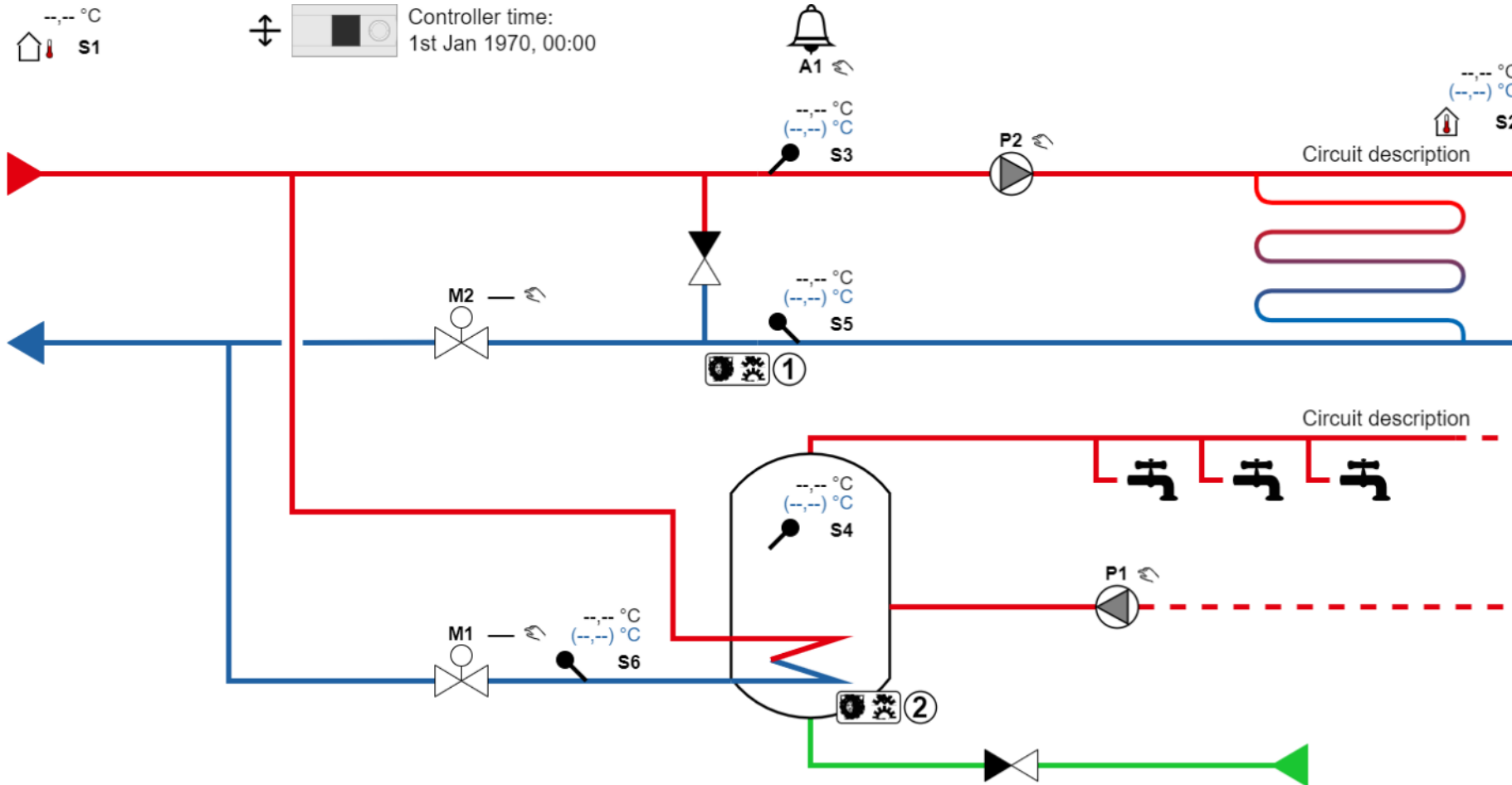


Leanheat® Monitor – A266.1 DKSC-B1-(a)



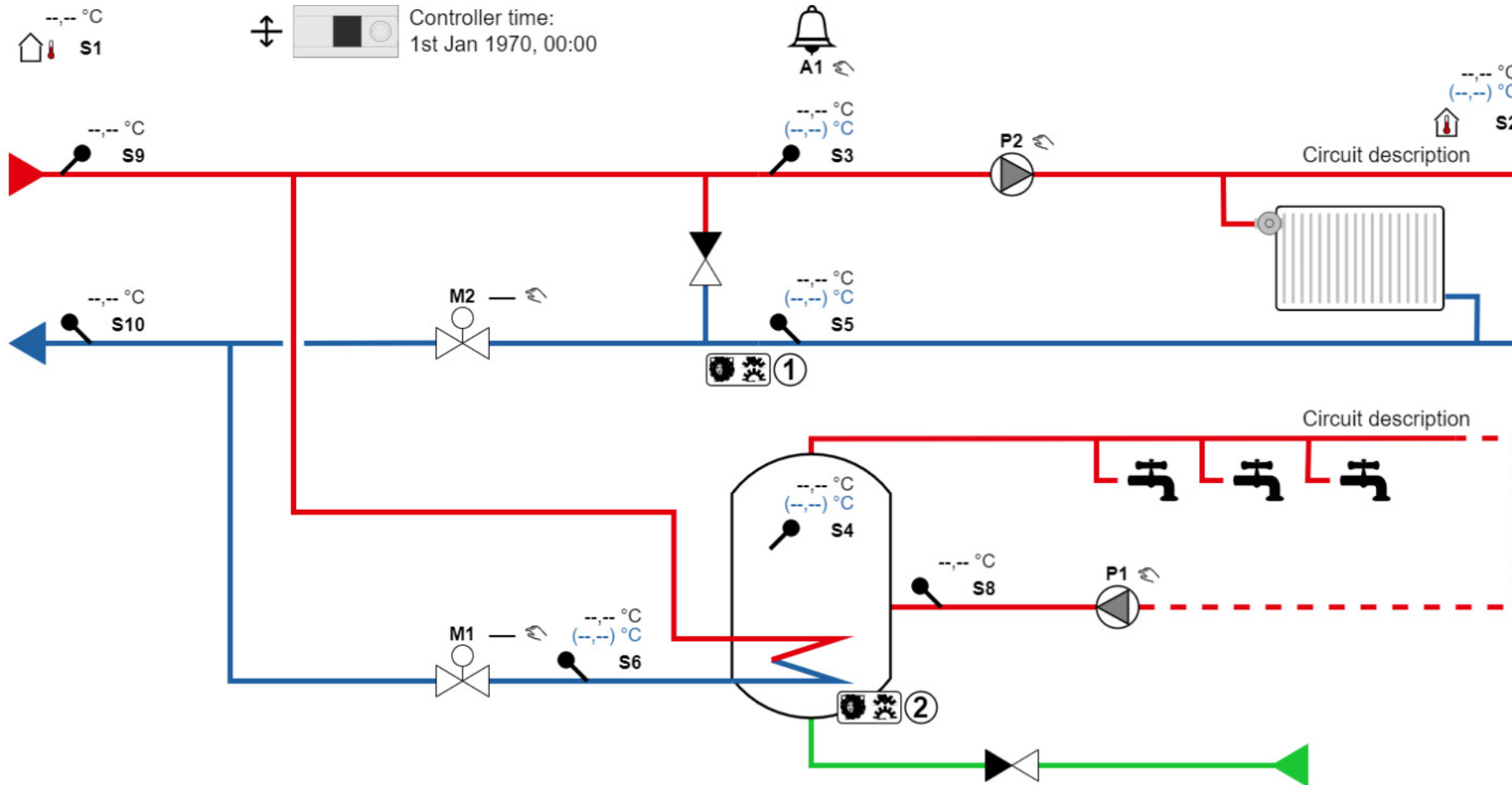
A266 1 DKSC-B1-(a)

Leanheat® Monitor – A266.1 DKSC-B2



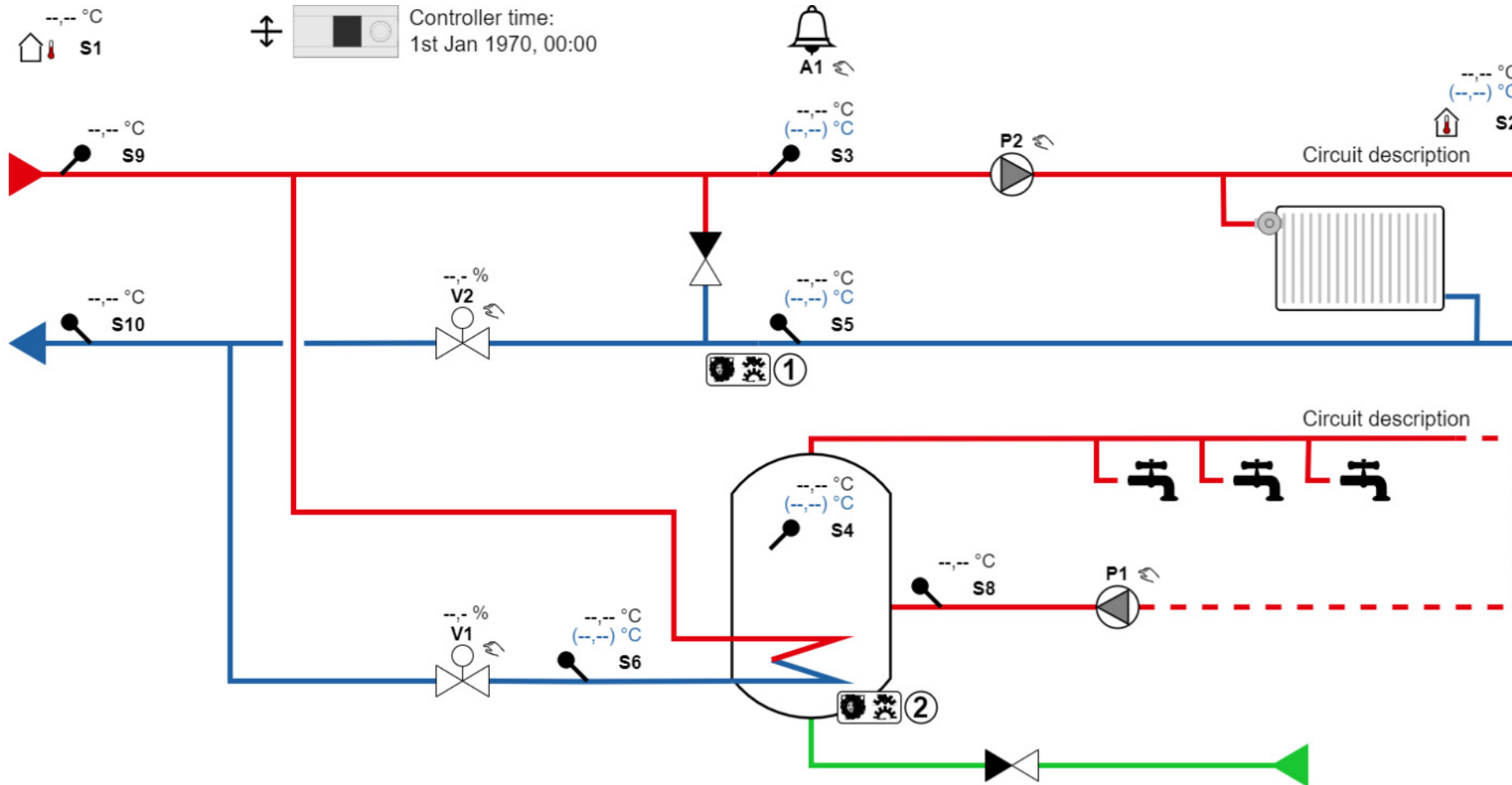
A266 1 DKSC-B2

Leanheat® Monitor – A266.1 DKSC-B3



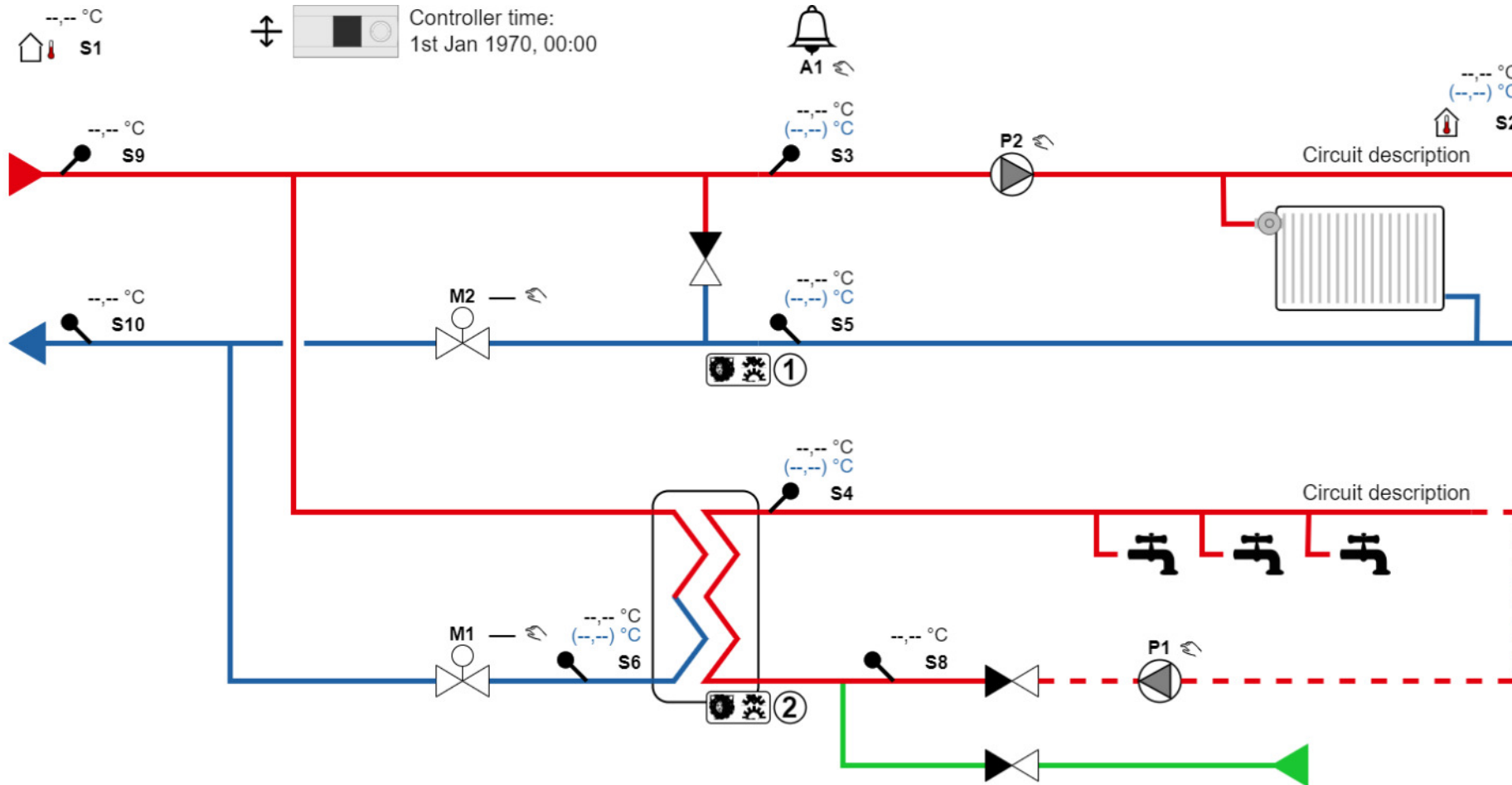
A266 1 DKSC-B3

Leanheat® Monitor – A266.1 DKSC-B3-(a)



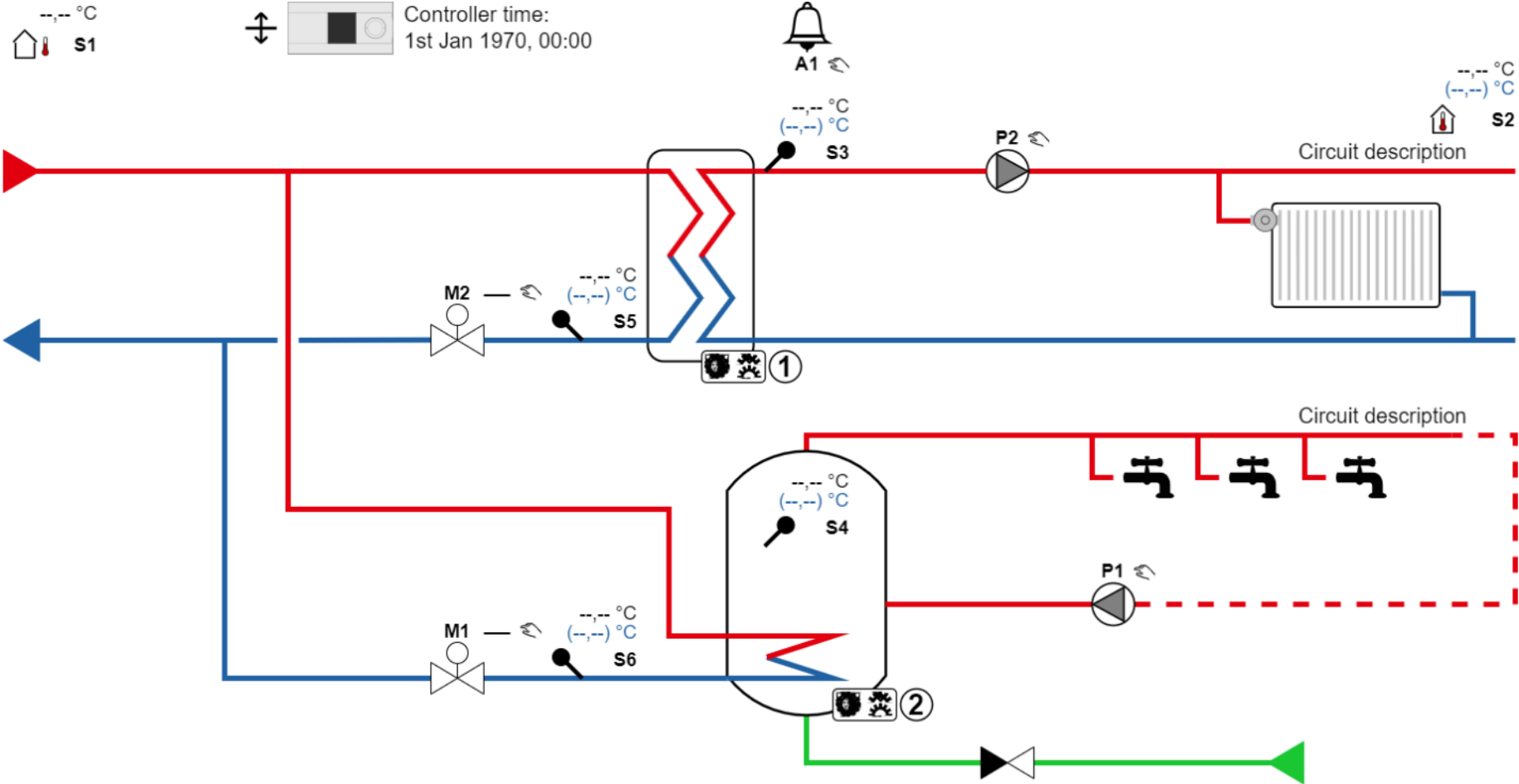
A266 1 DKSC-B3-(a)

Leanheat® Monitor – A266.1 DKSC-B4

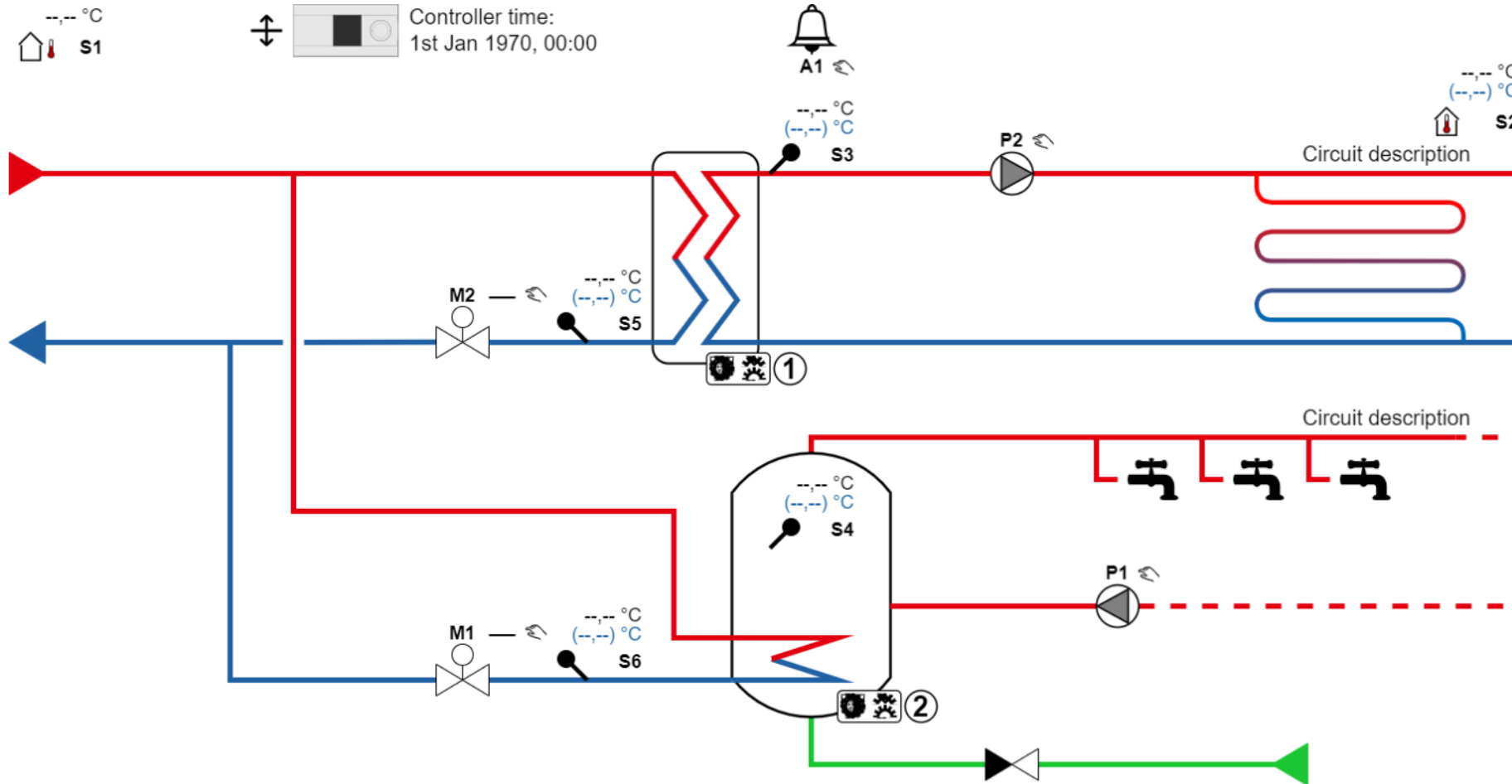


A266 1 DKSC-B4

Leanheat® Monitor – A266.1 DKSC-C

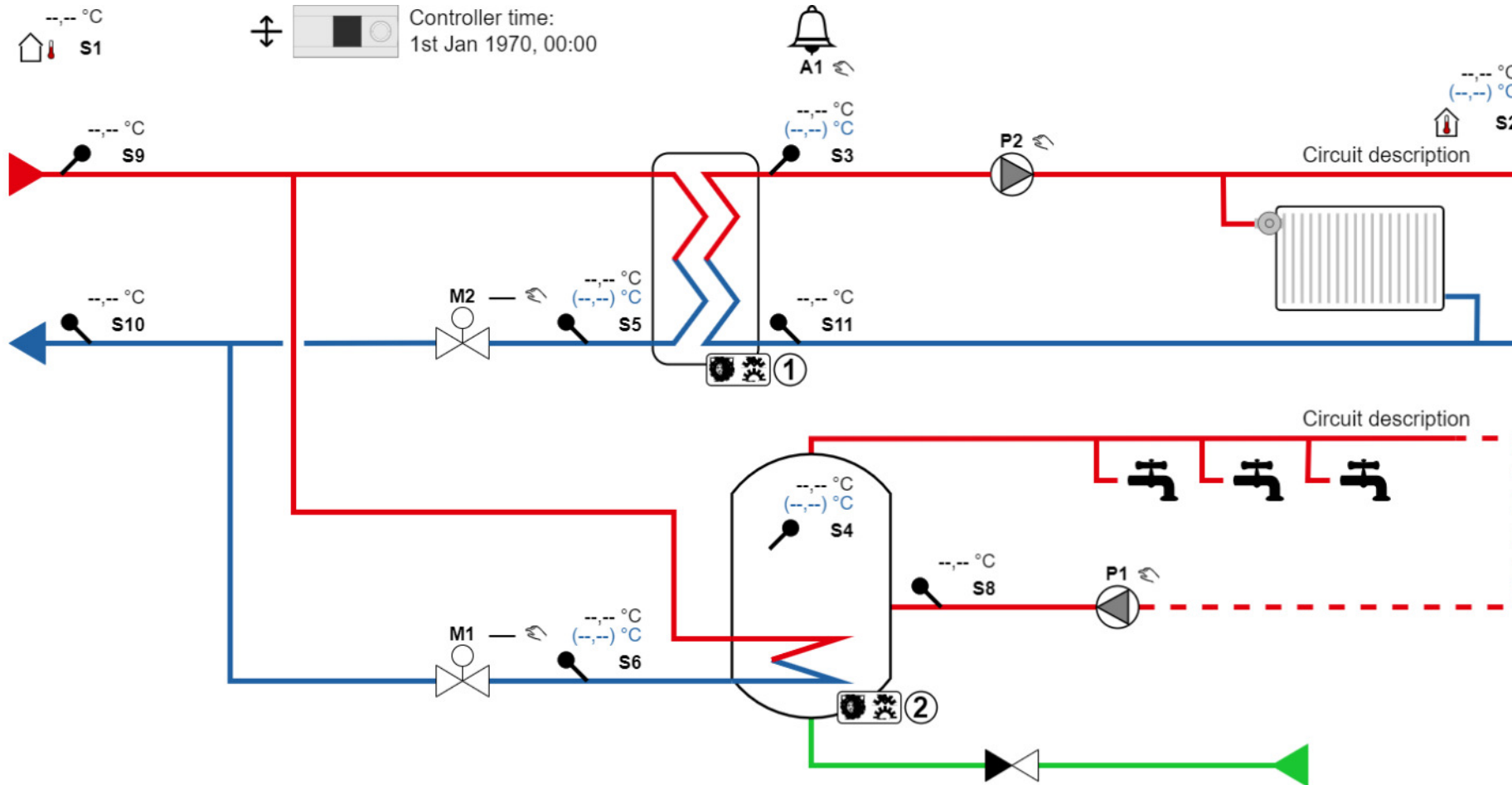


Leanheat® Monitor – A266.1 DKSC-C1



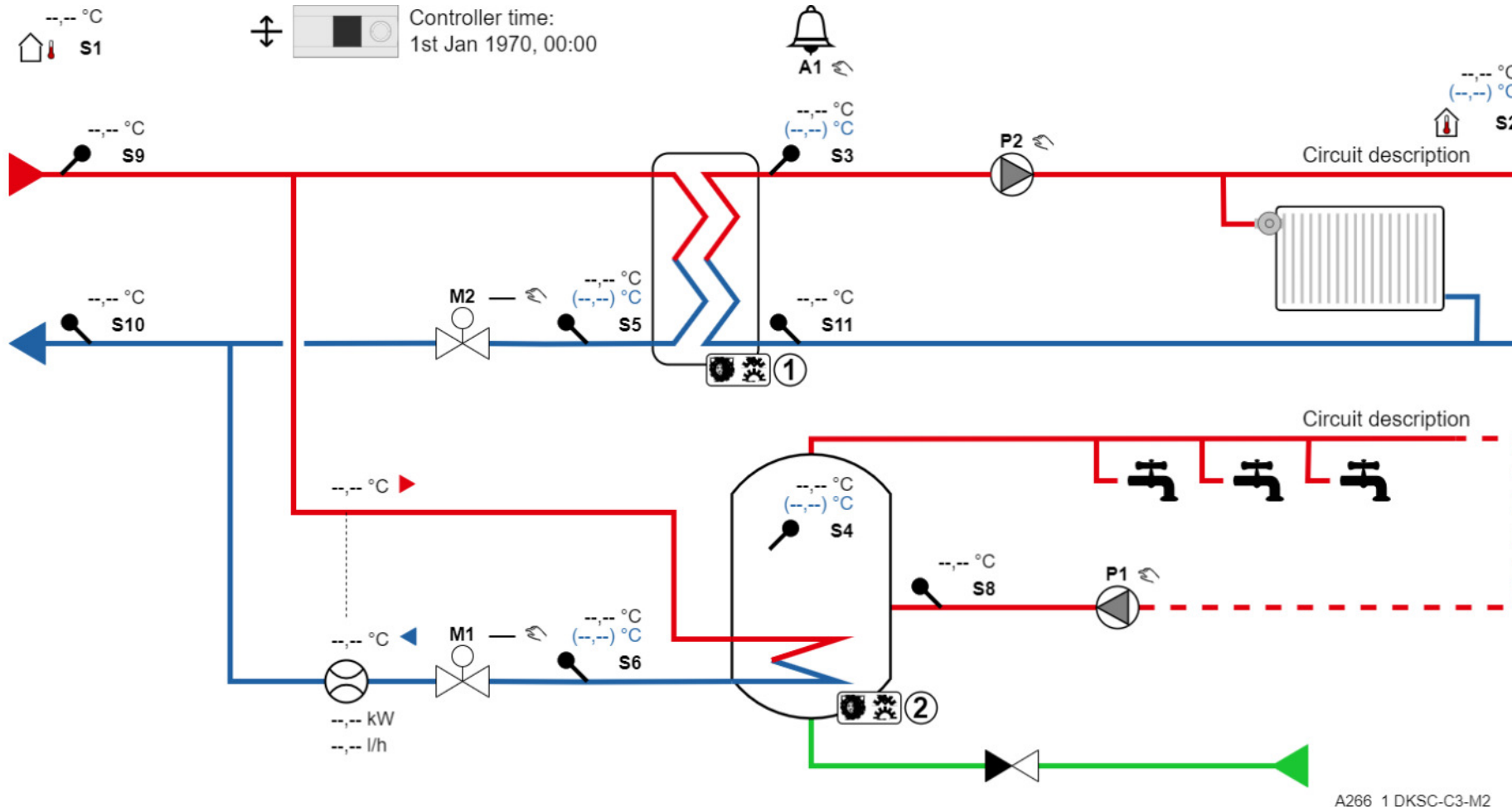
A266 1 DKSC-C1

Leanheat® Monitor – A266.1 DKSC-C3



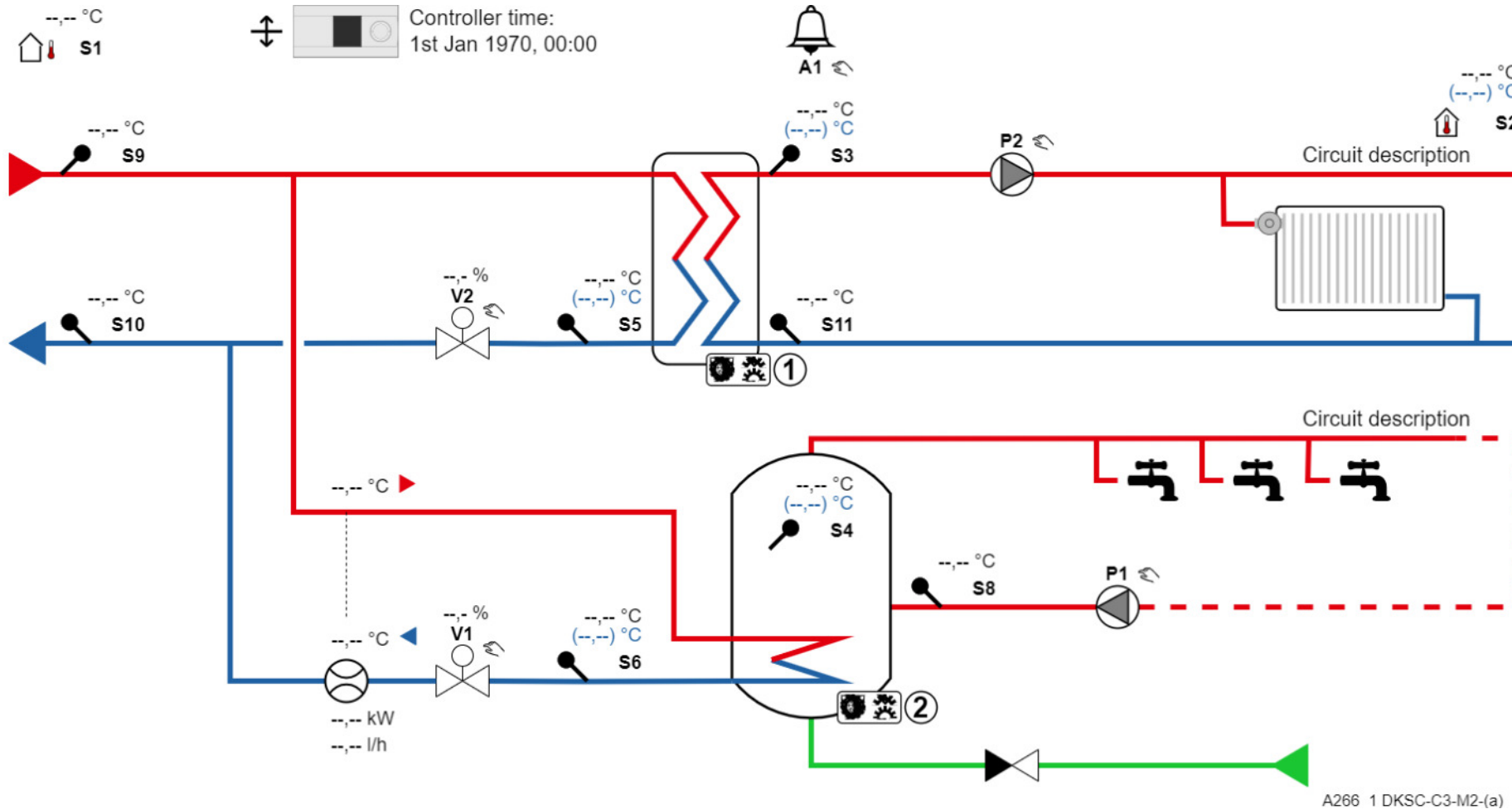
A266 1 DKSC-C3

Leanheat® Monitor – A266.1 DKSC-C3-M2

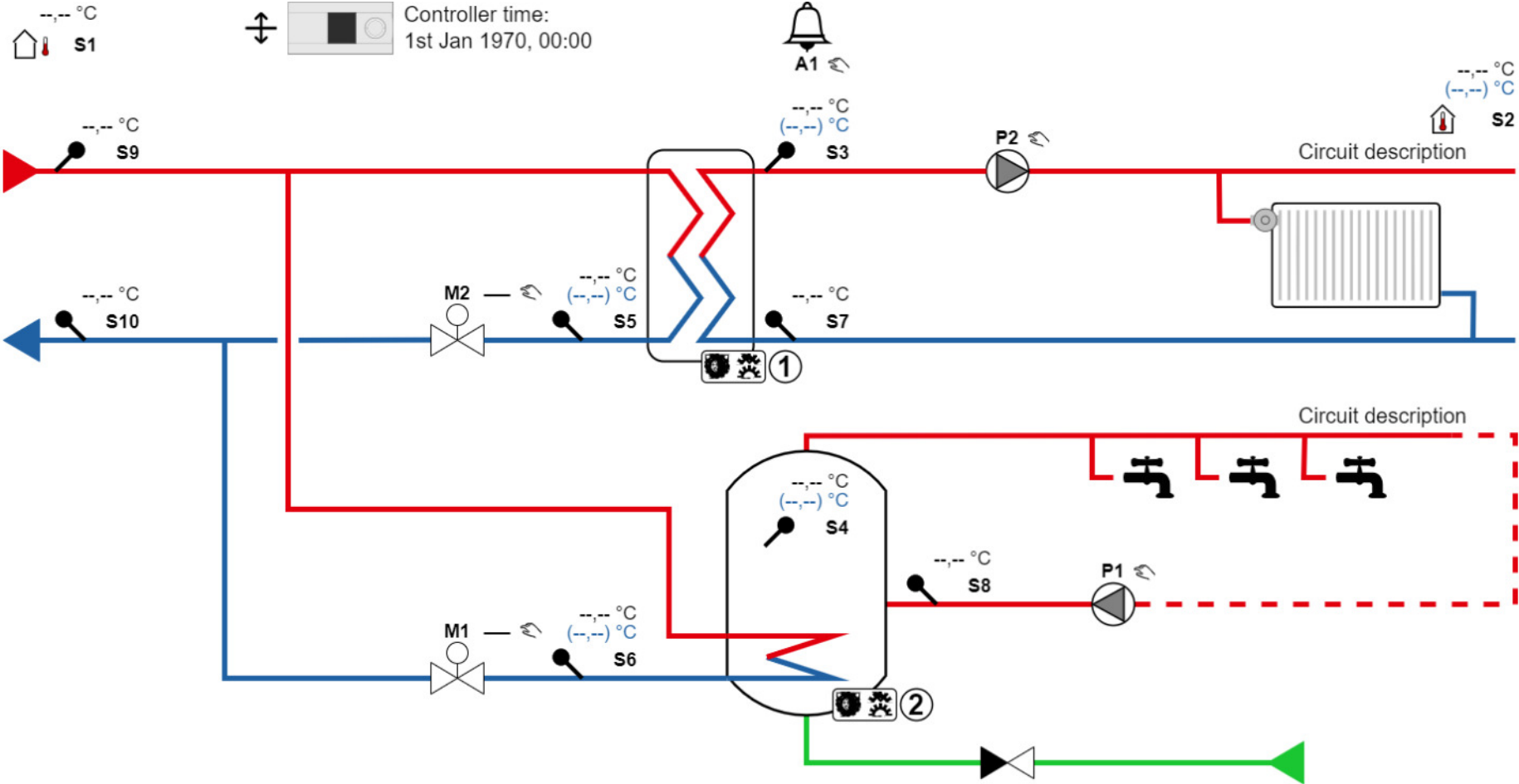


A266 1 DKSC-C3-M2

Leanheat® Monitor – A266.1 DKSC-C3-M2-(a)

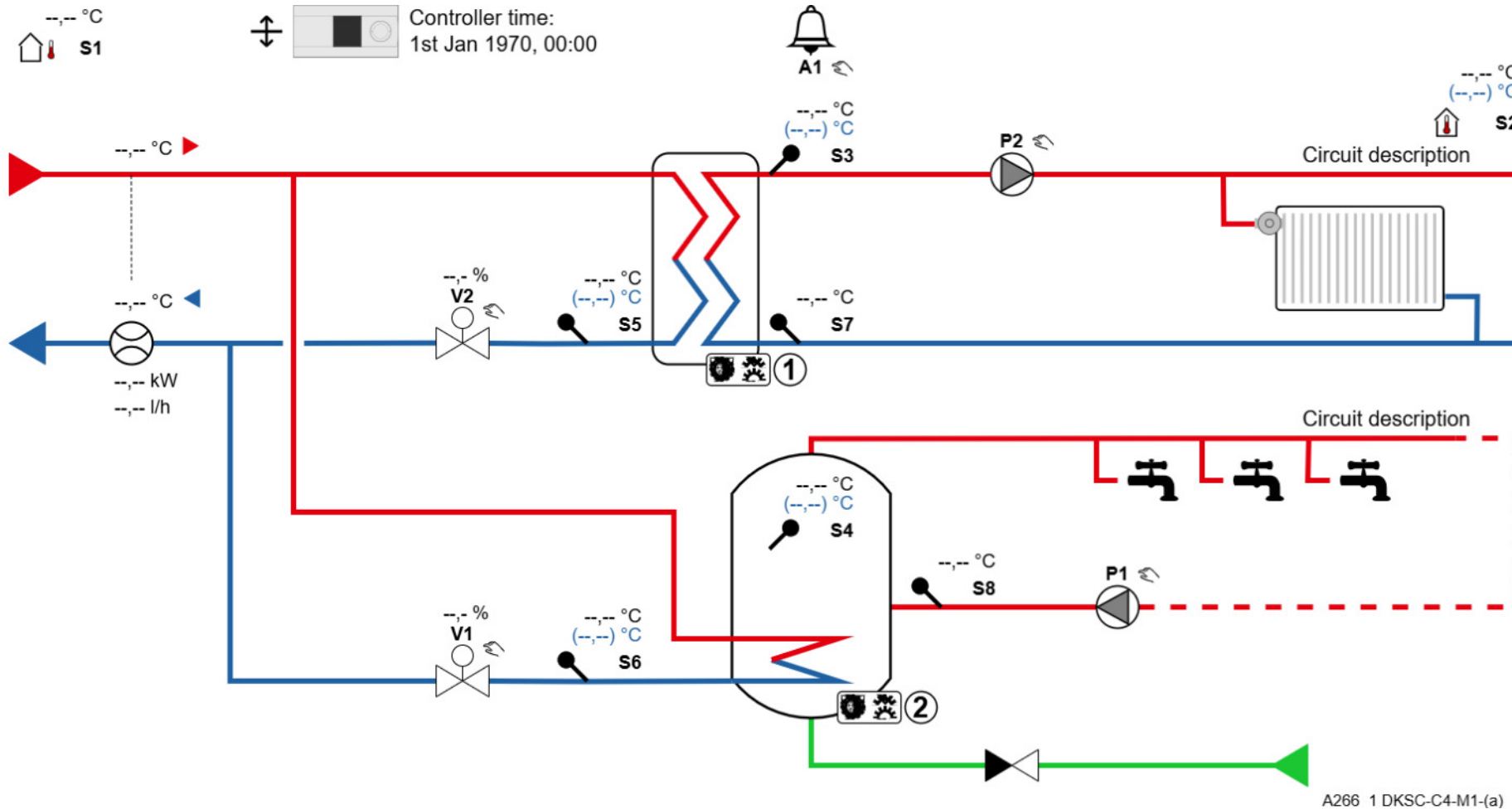


Leanheat® Monitor – A266.1 DKSC-C4

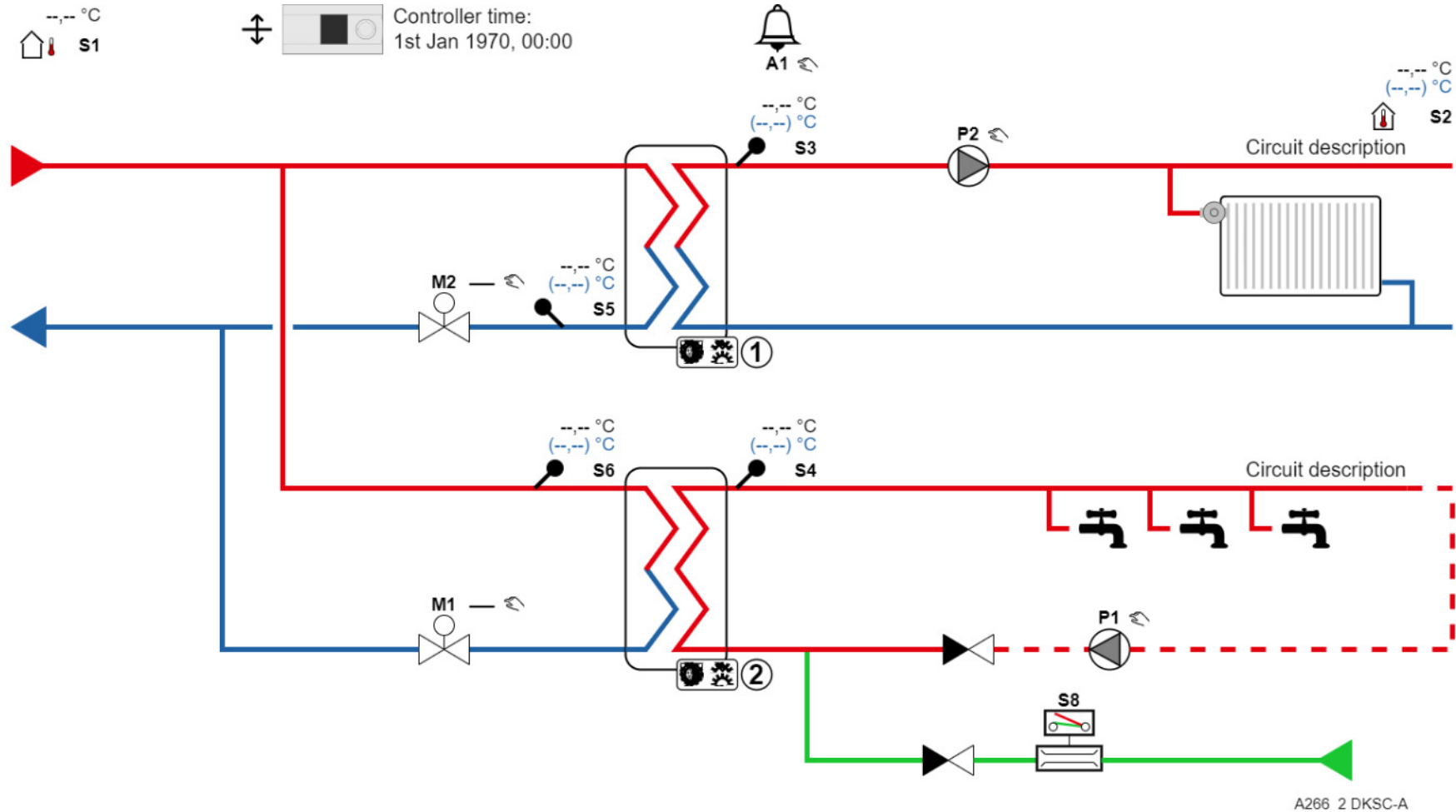


A266 1 DKSC-C4

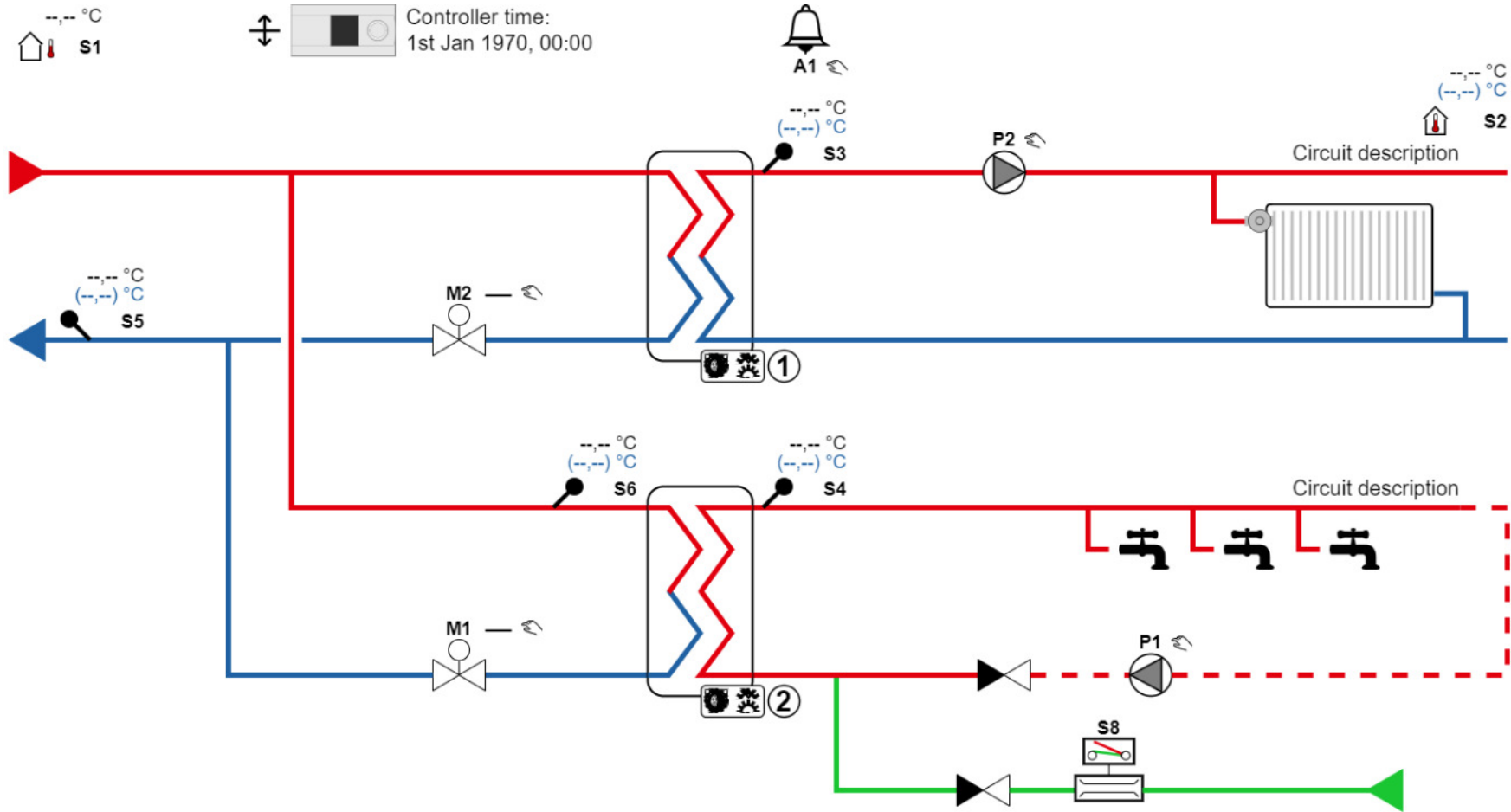
Leanheat® Monitor – A266.1 DKSC-C4-M1-(a)



Leanheat® Monitor – A266.2 DKSC-A

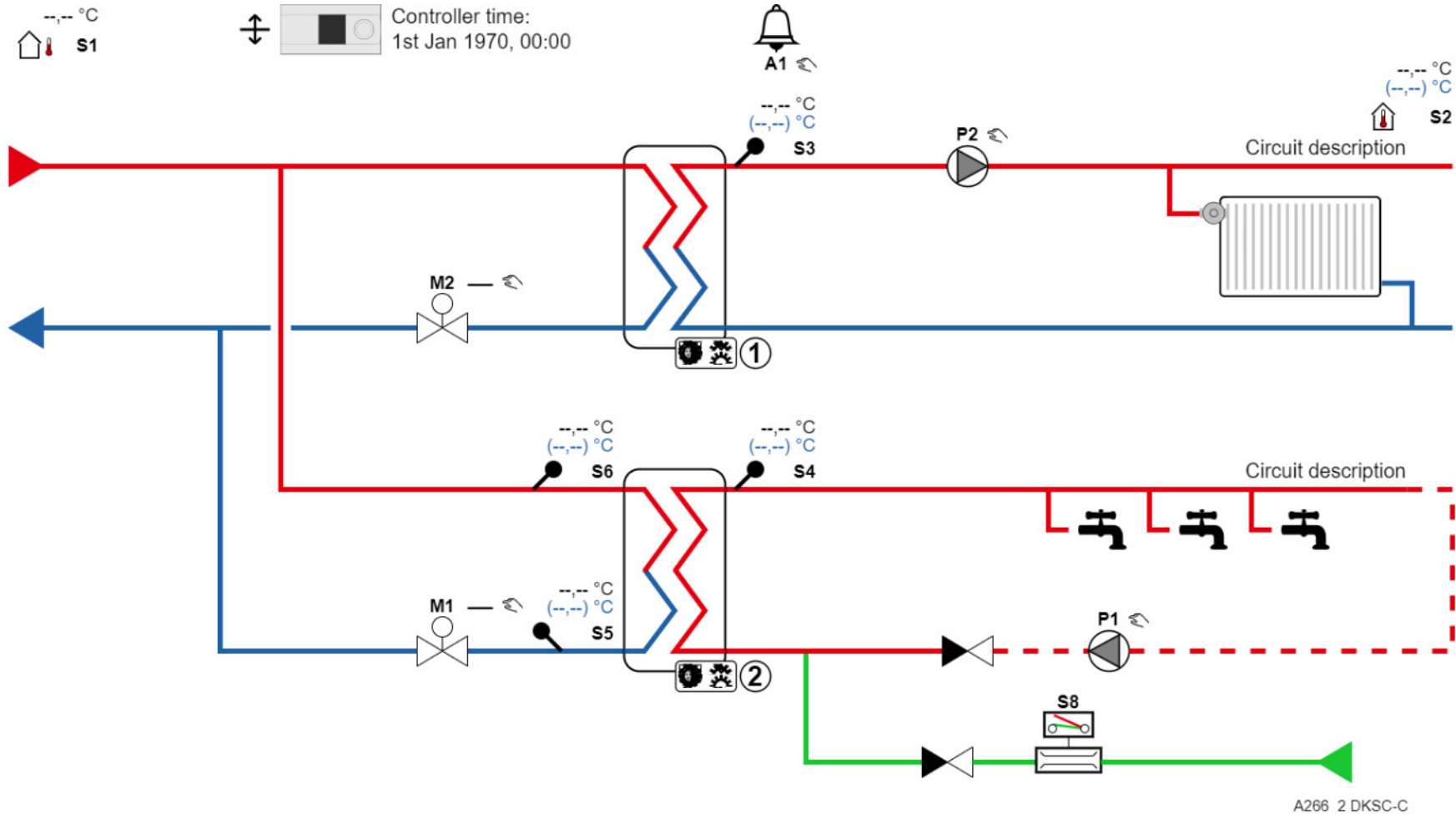


Leanheat® Monitor – A266.2 DKSC-B



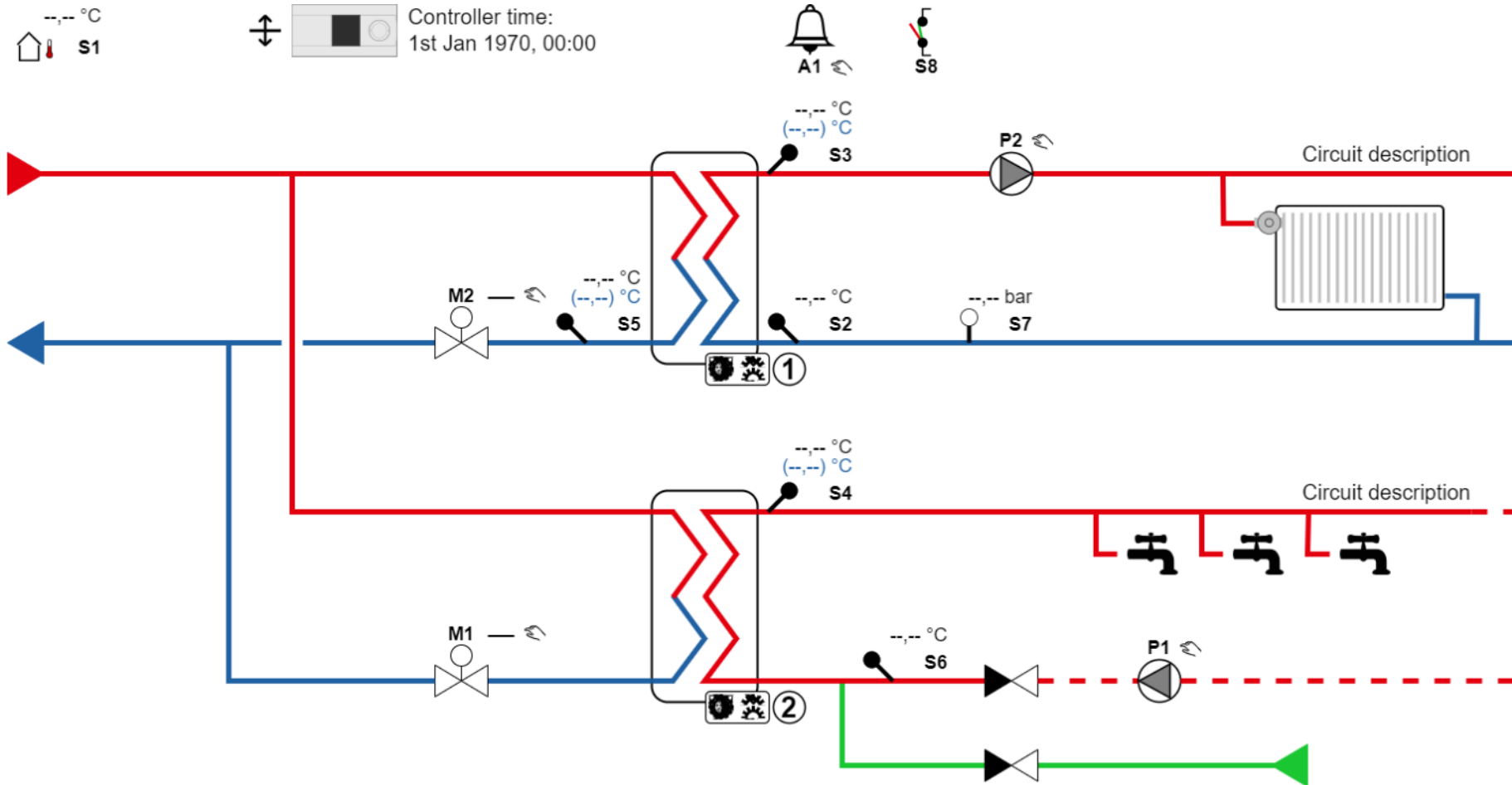
A266 2 DKSC-B

Leanheat® Monitor – A266.2 DKSC-C



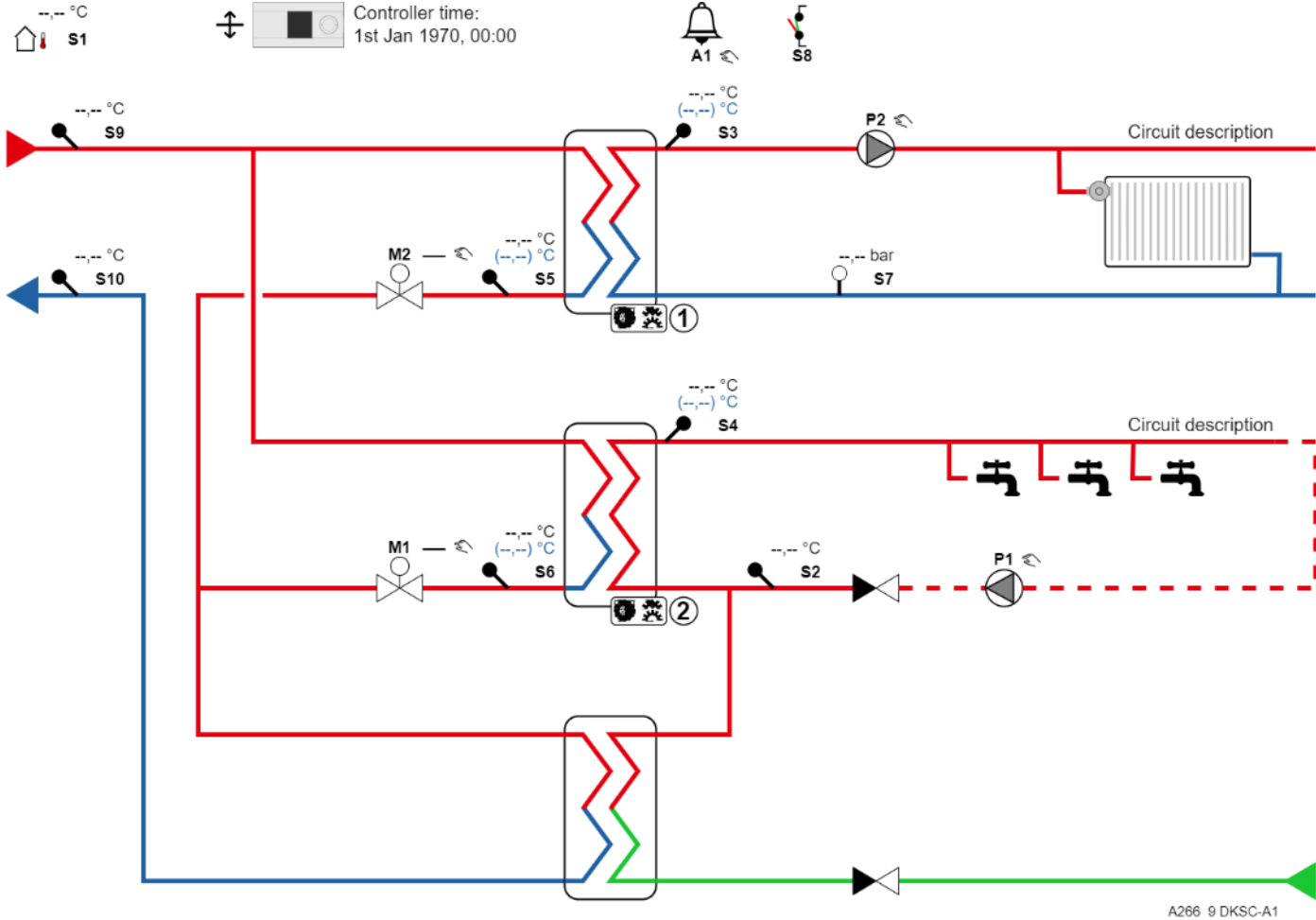
A266 2 DKSC-C

Leanheat® Monitor – A266.9 DKSC-A

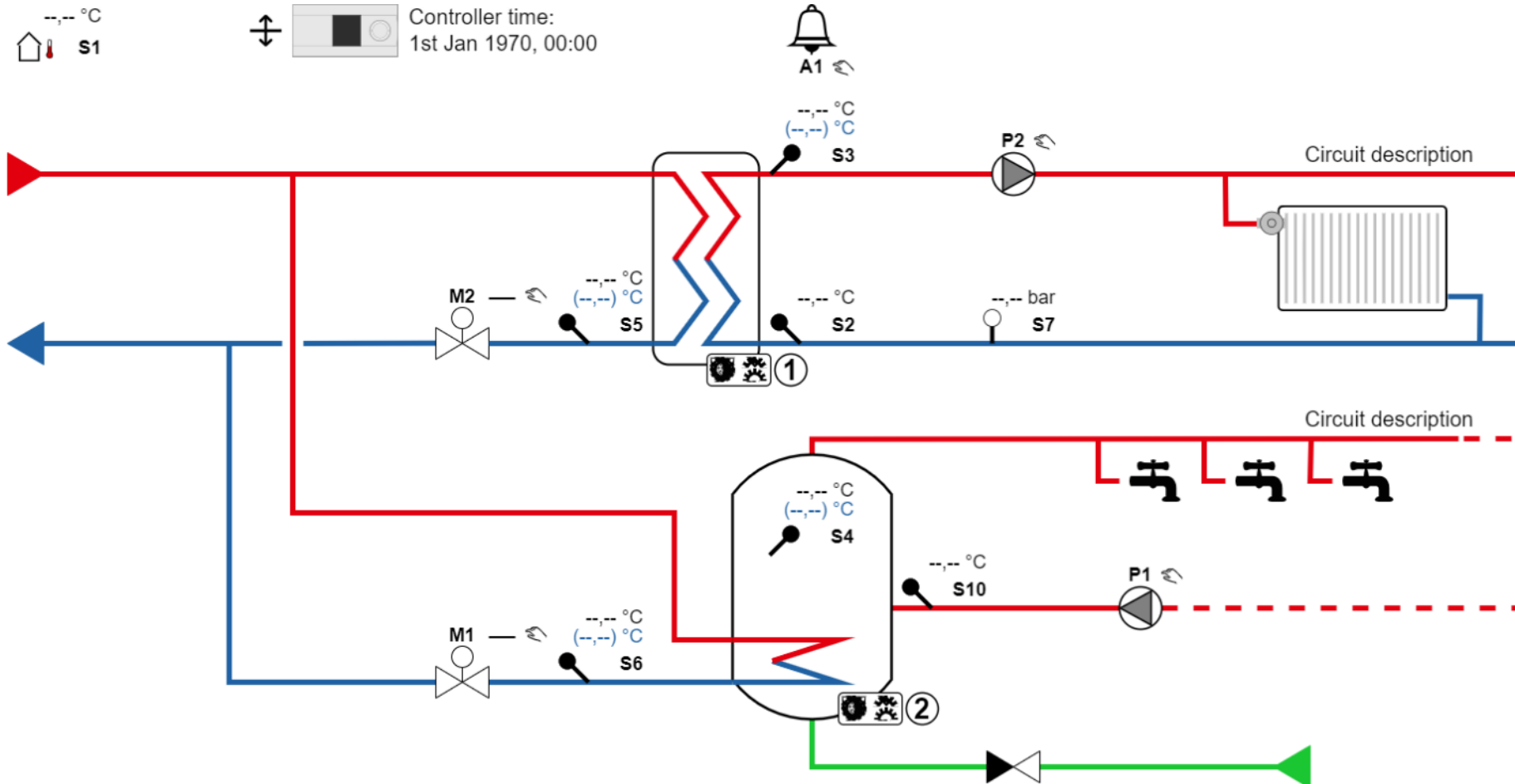


A266 9 DKSC-A

Leanheat® Monitor – A266.9 DKSC-A1

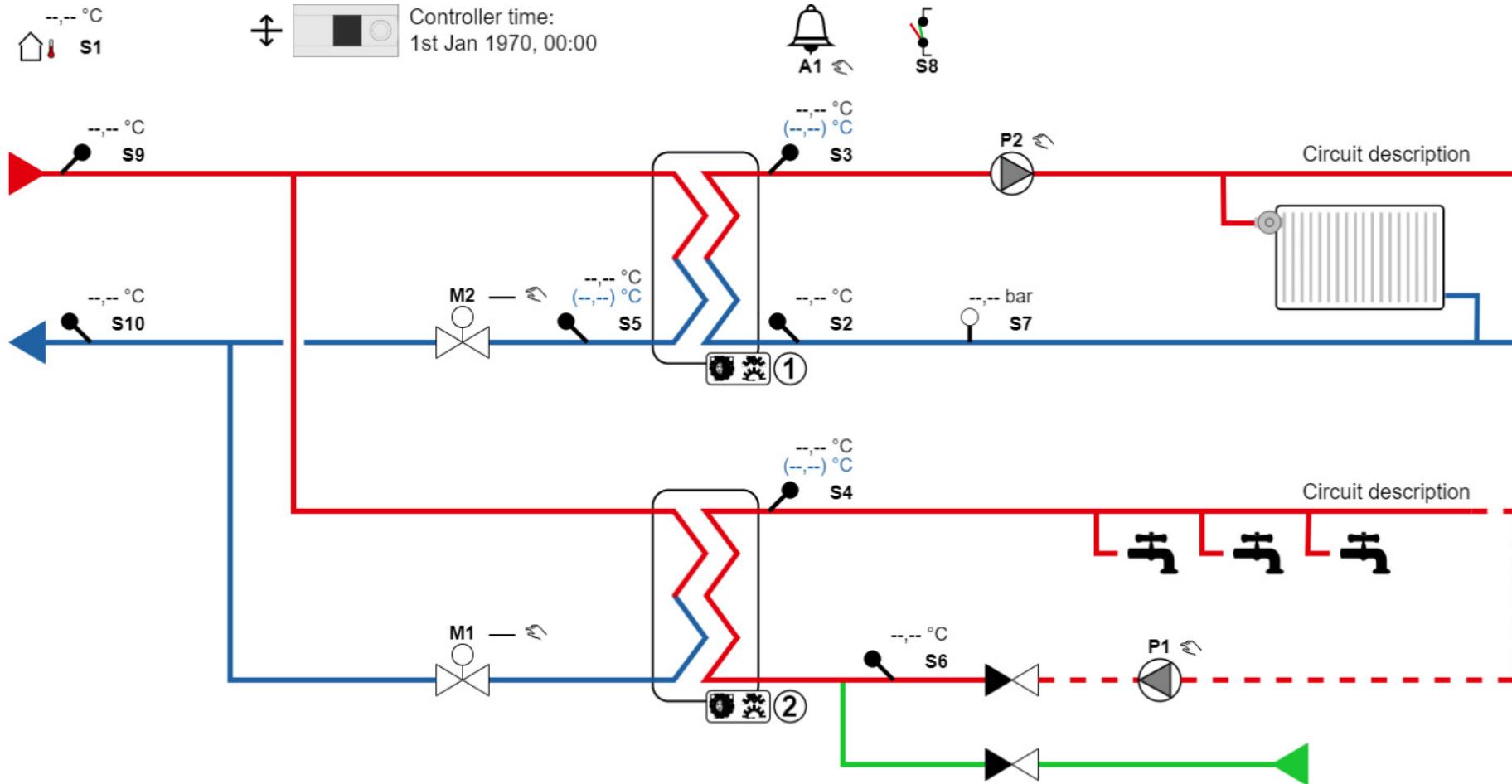


Leanheat® Monitor – A266.9 DKSC-A2



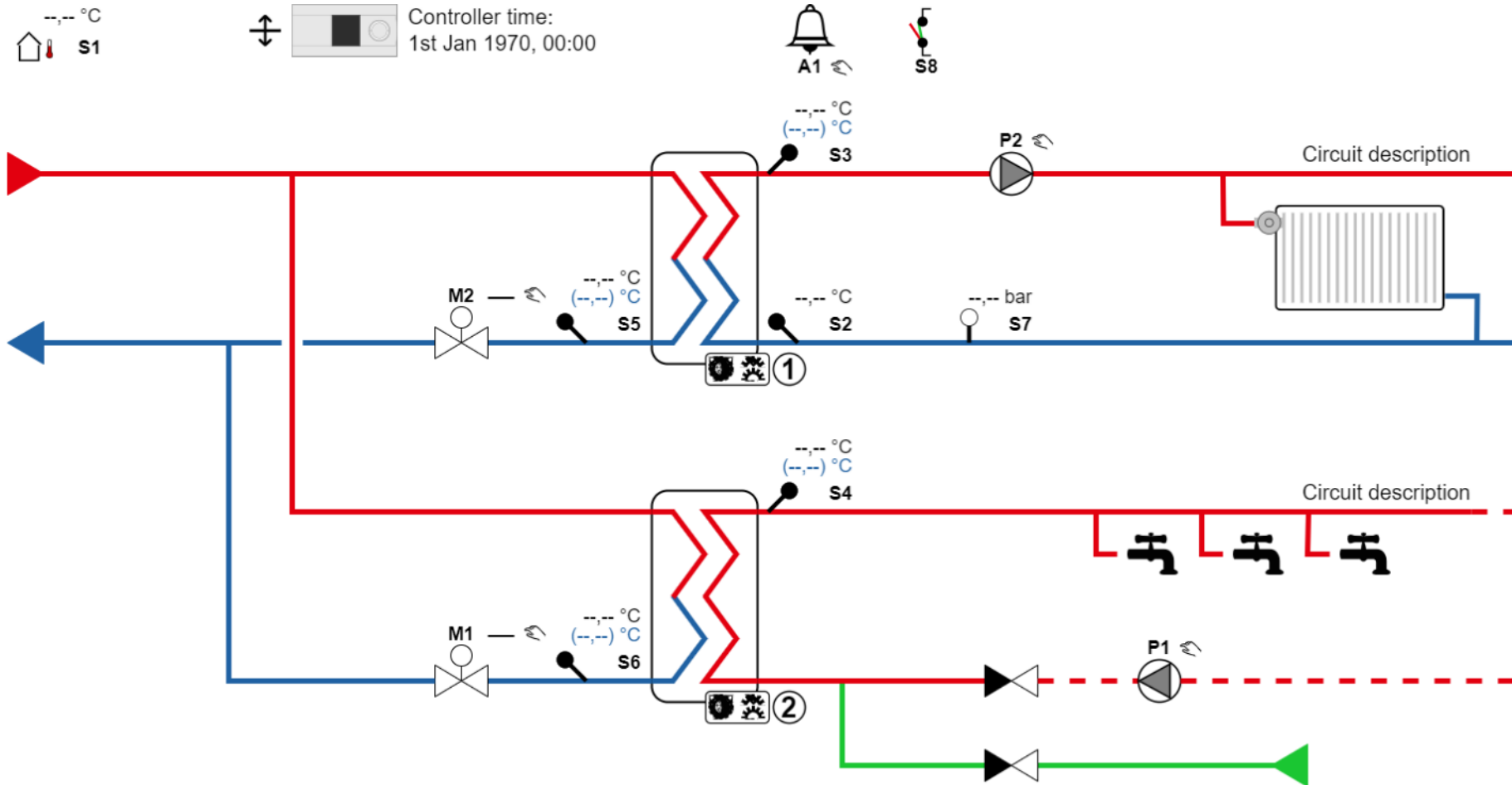
A266 9 DKSC-A2

Leanheat® Monitor – A266.9 DKSC-A3



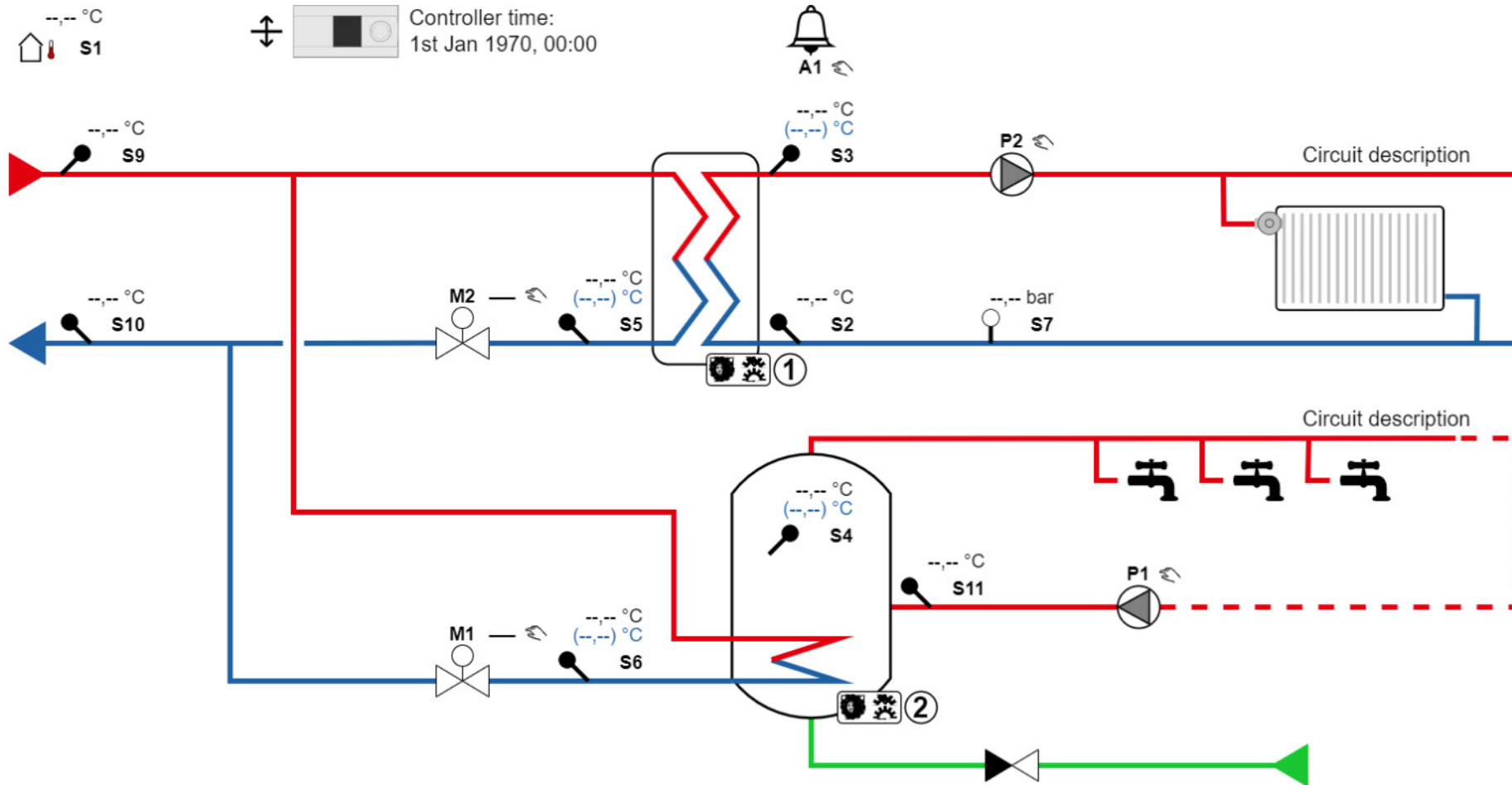
A266 9 DKSC-A3

Leanheat® Monitor – A266.9 DKSC-A4



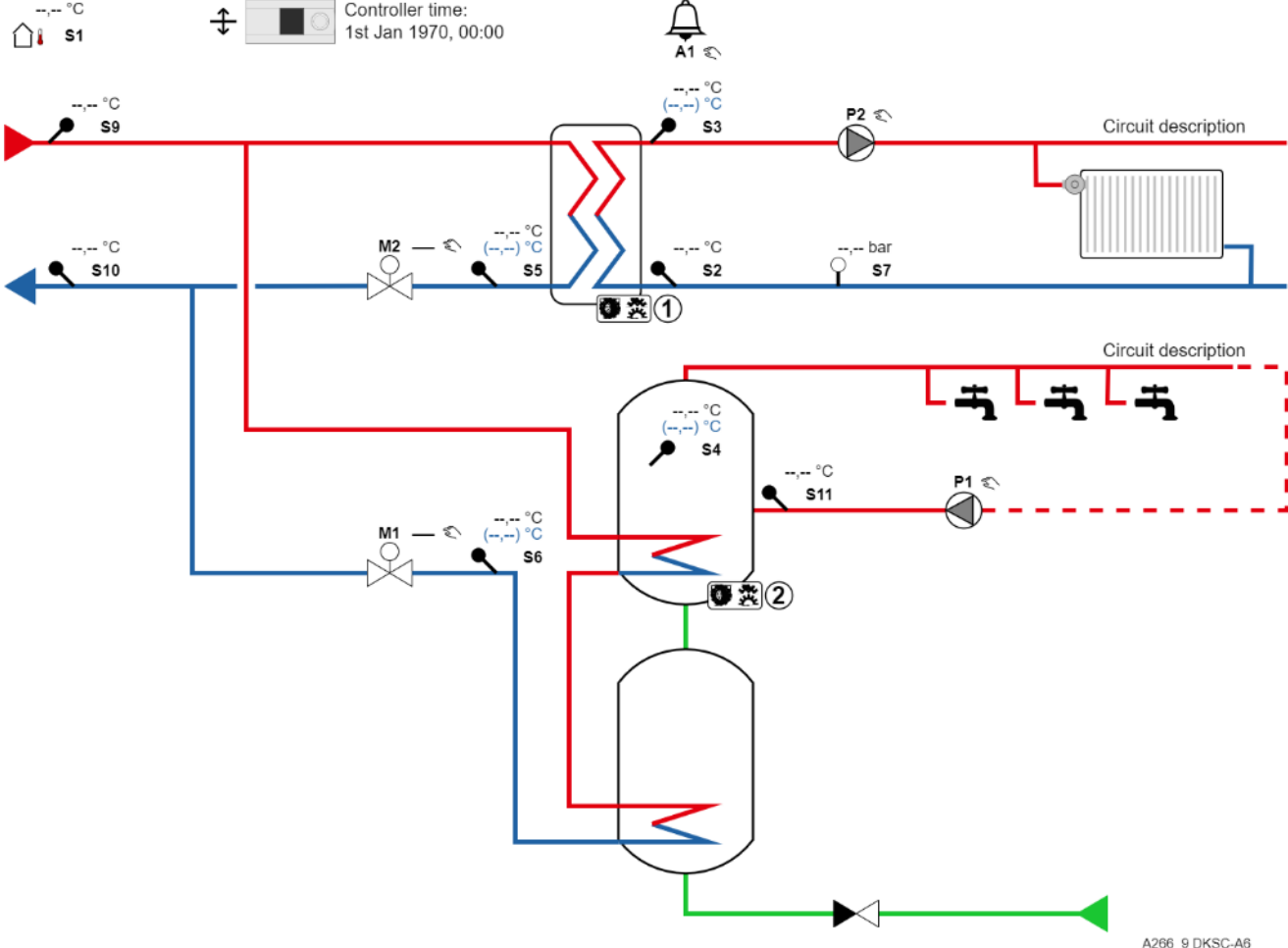
A266 9 DKSC-A4

Leanheat® Monitor – A266.9 DKSC-A5



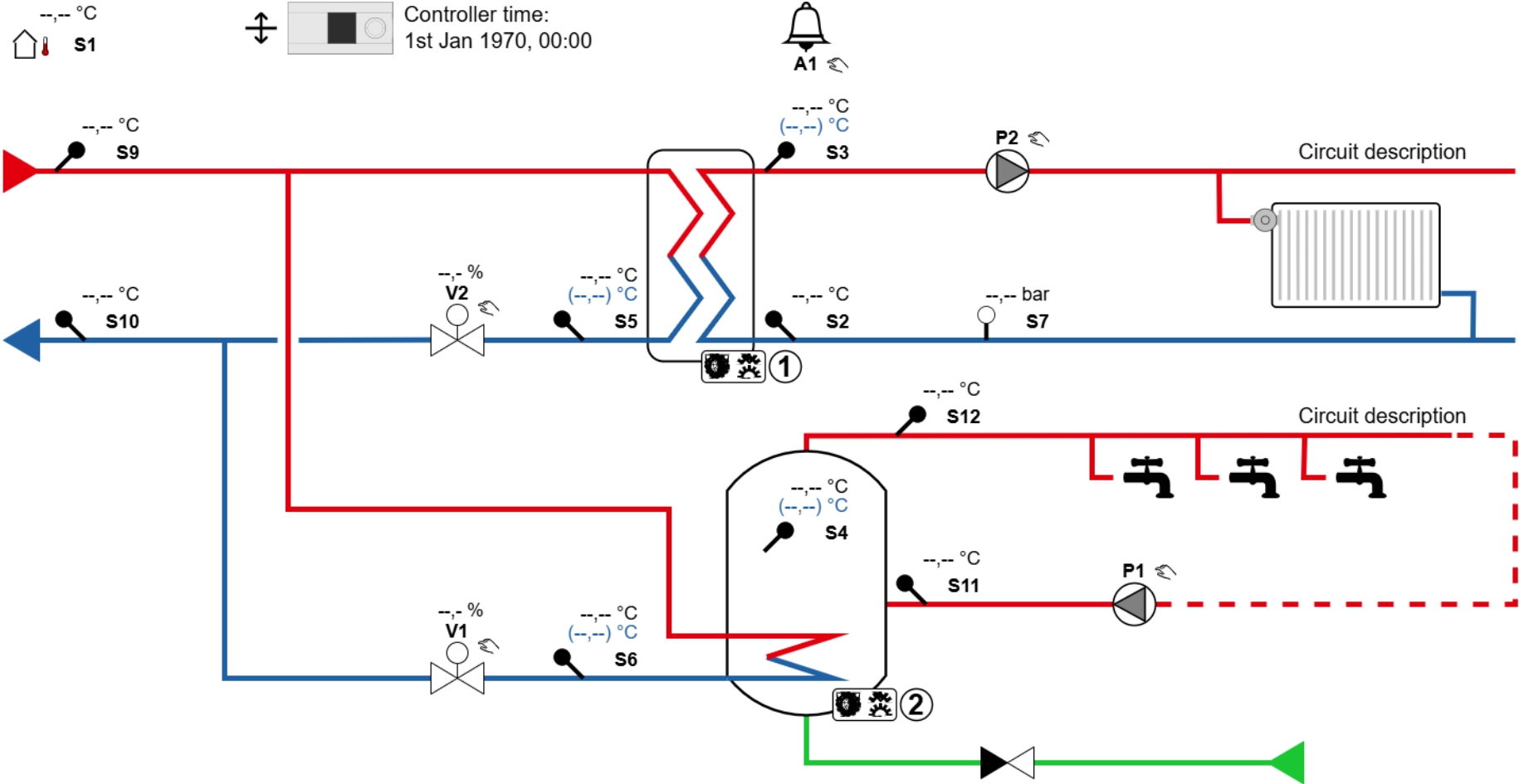
A266 9 DKSC-A5

Leanheat® Monitor – A266.9 DKSC-A6



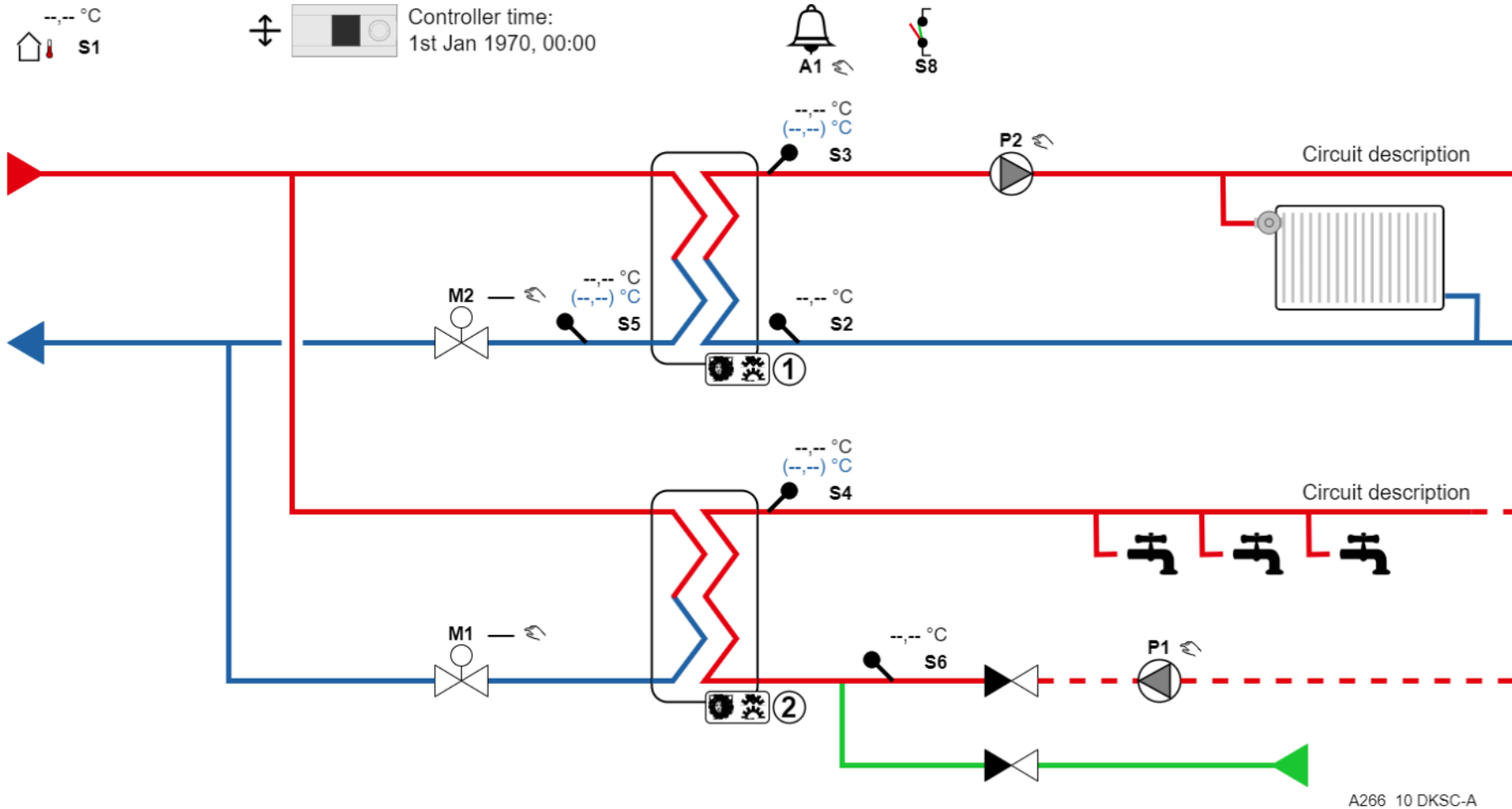
A266 9 DKSC-A6

Leanheat® Monitor – A266.9 DKSC-A7



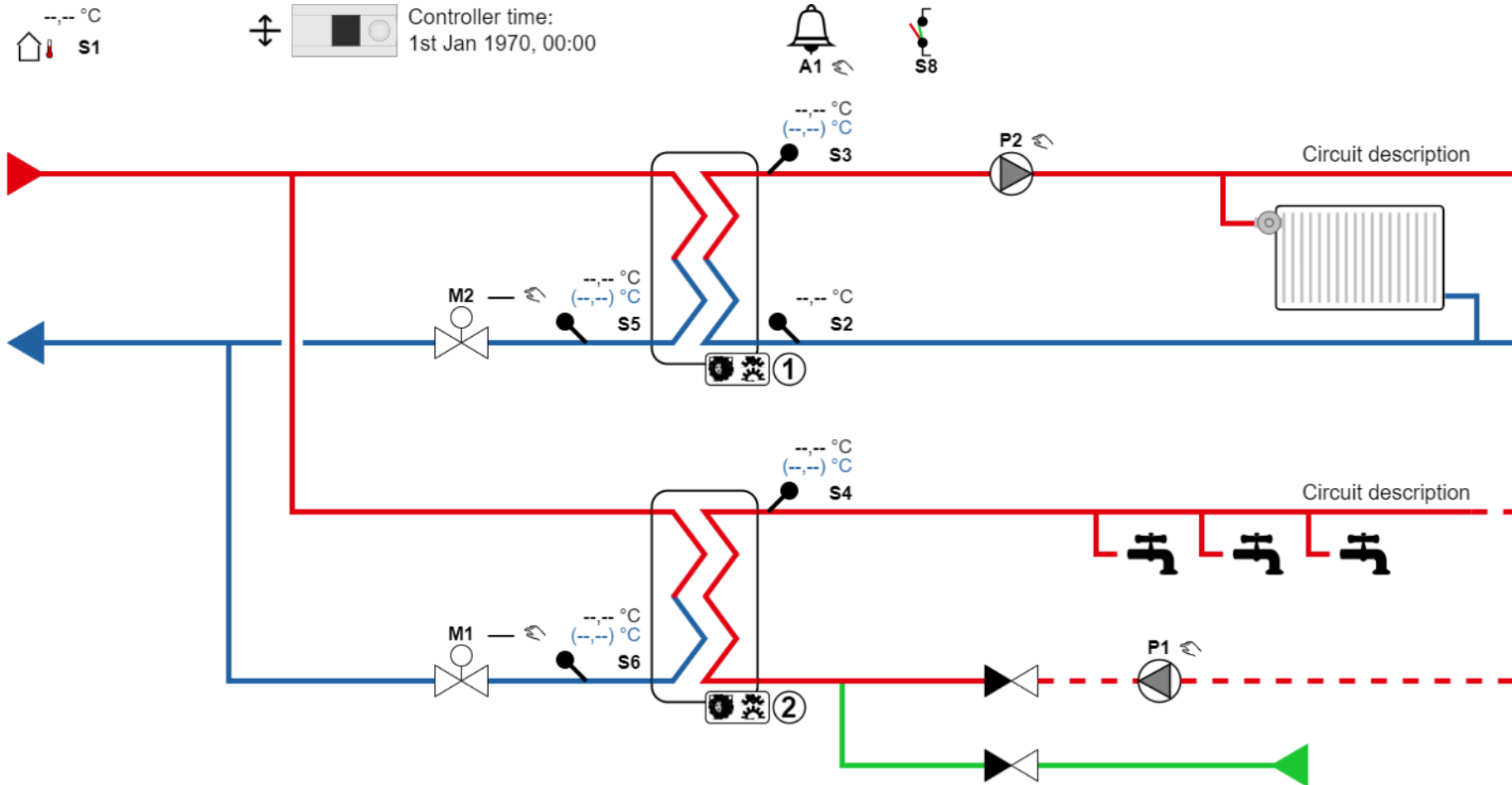
A266 9 DKSC-A7

Leanheat® Monitor – A266.10 DKSC-A



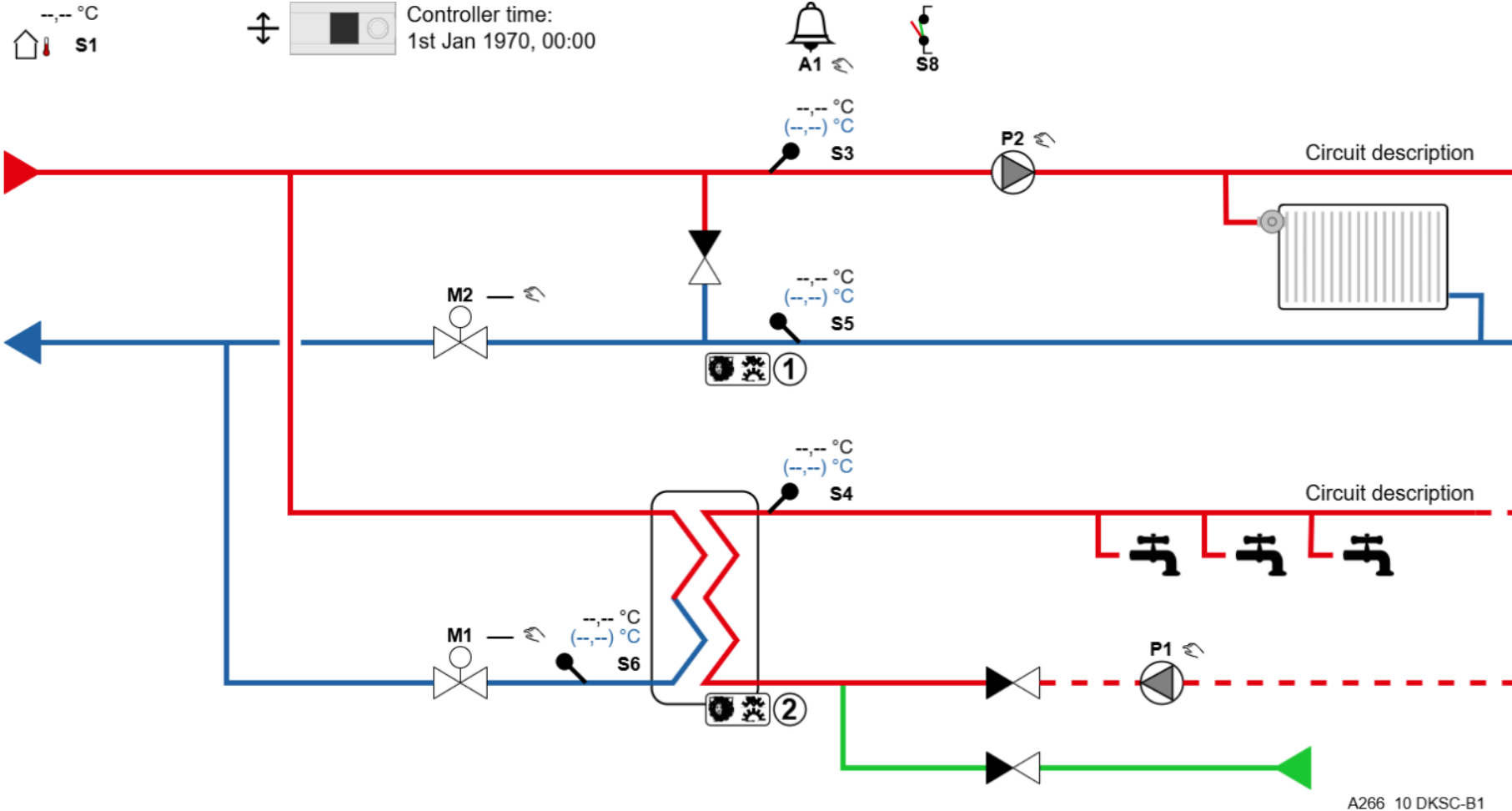
A266 10 DKSC-A

Leanheat® Monitor – A266.10 DKSC-A1



A266 10 DKSC-A1

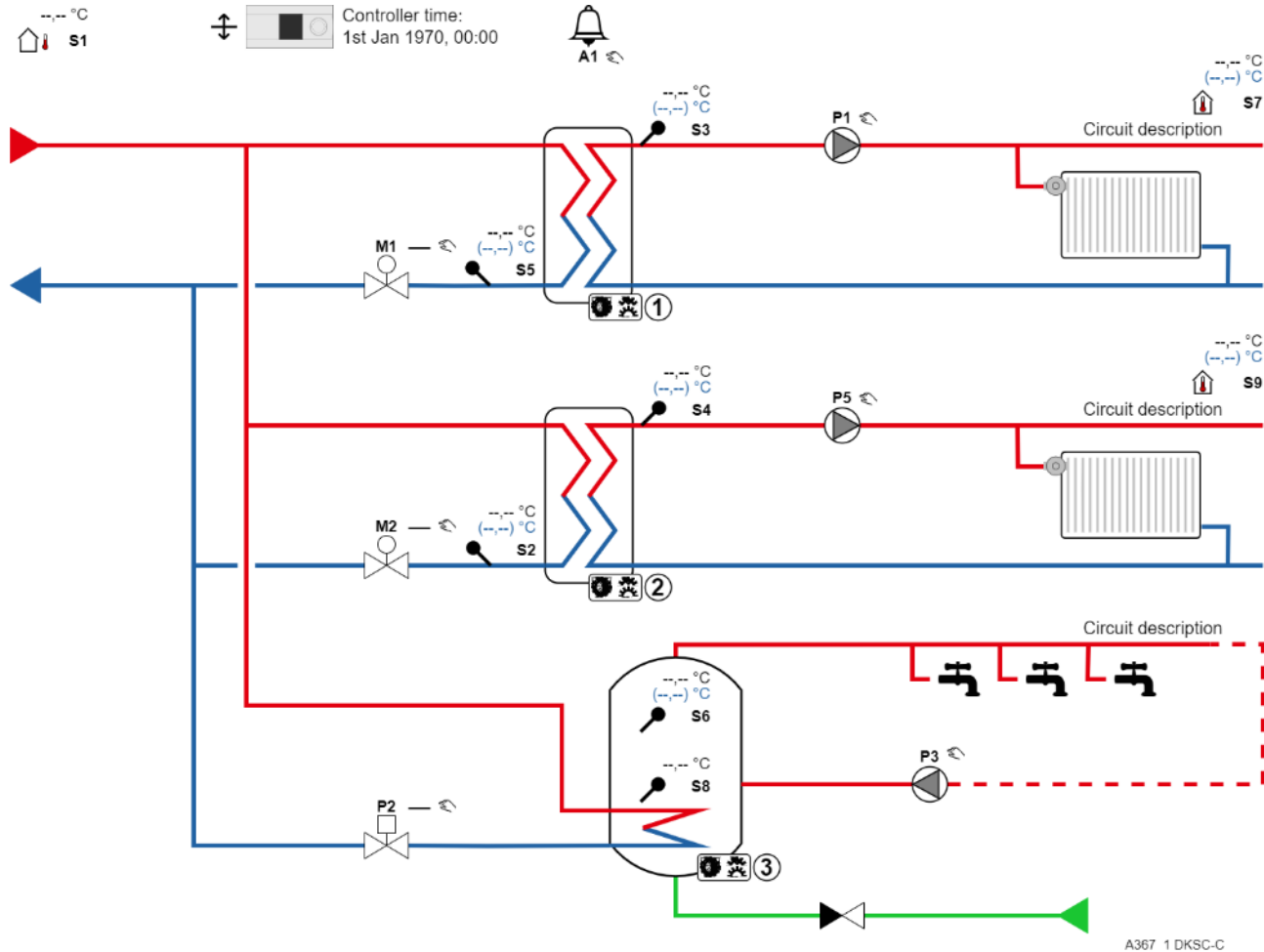
Leanheat® Monitor – A266.10 DKSC-B1



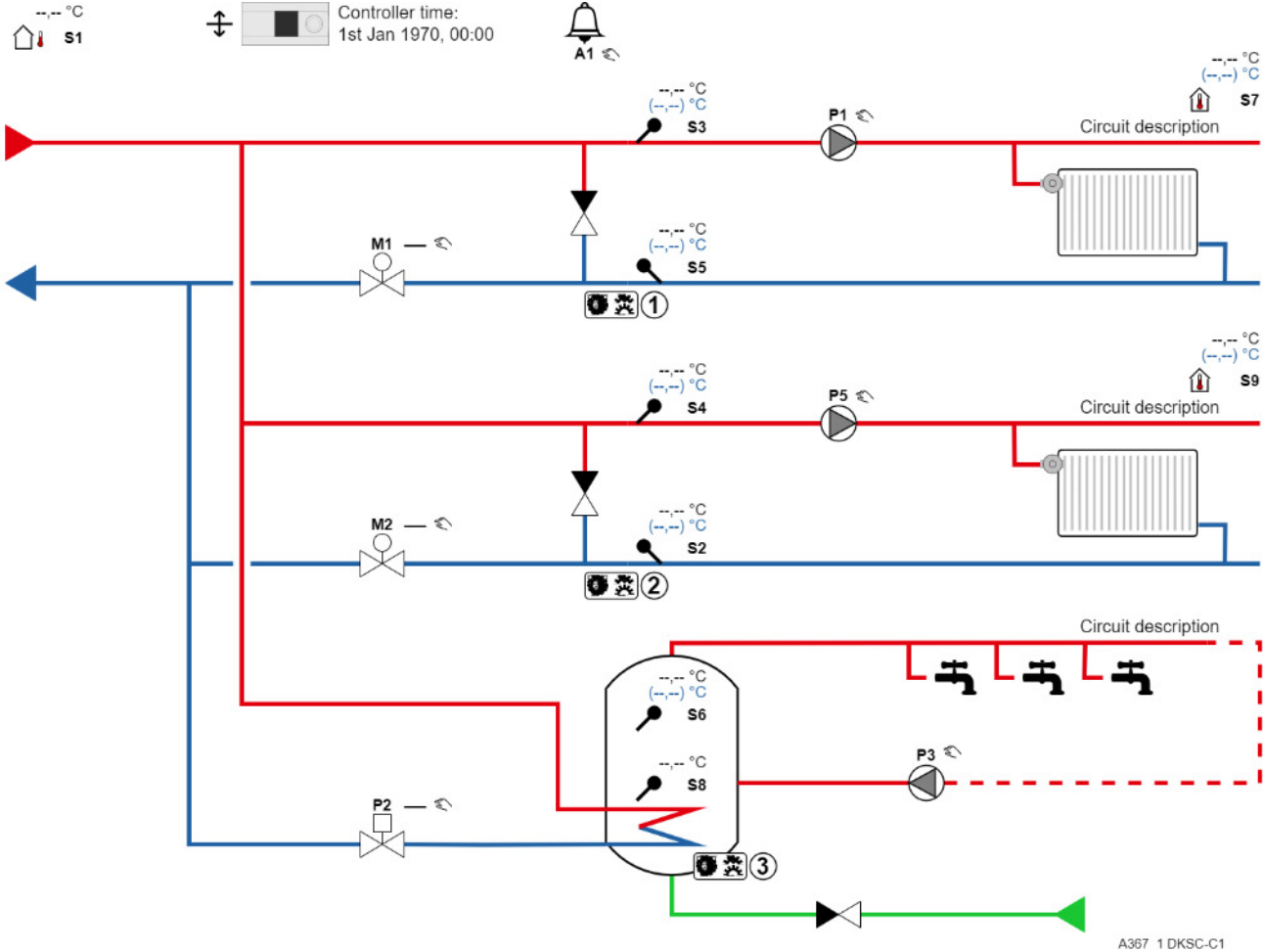
A267



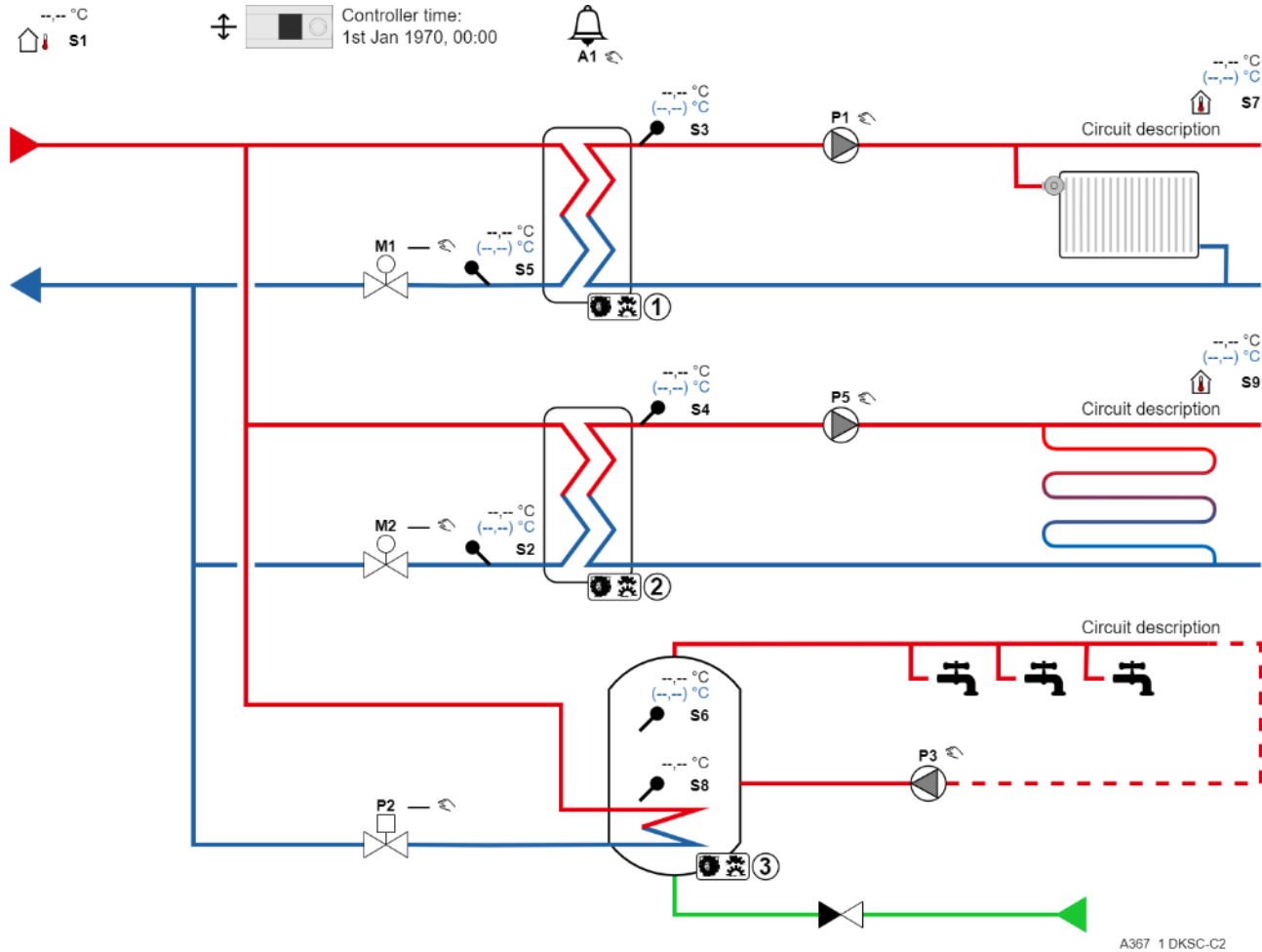
Leanheat® Monitor – A367.1 DKSC-C



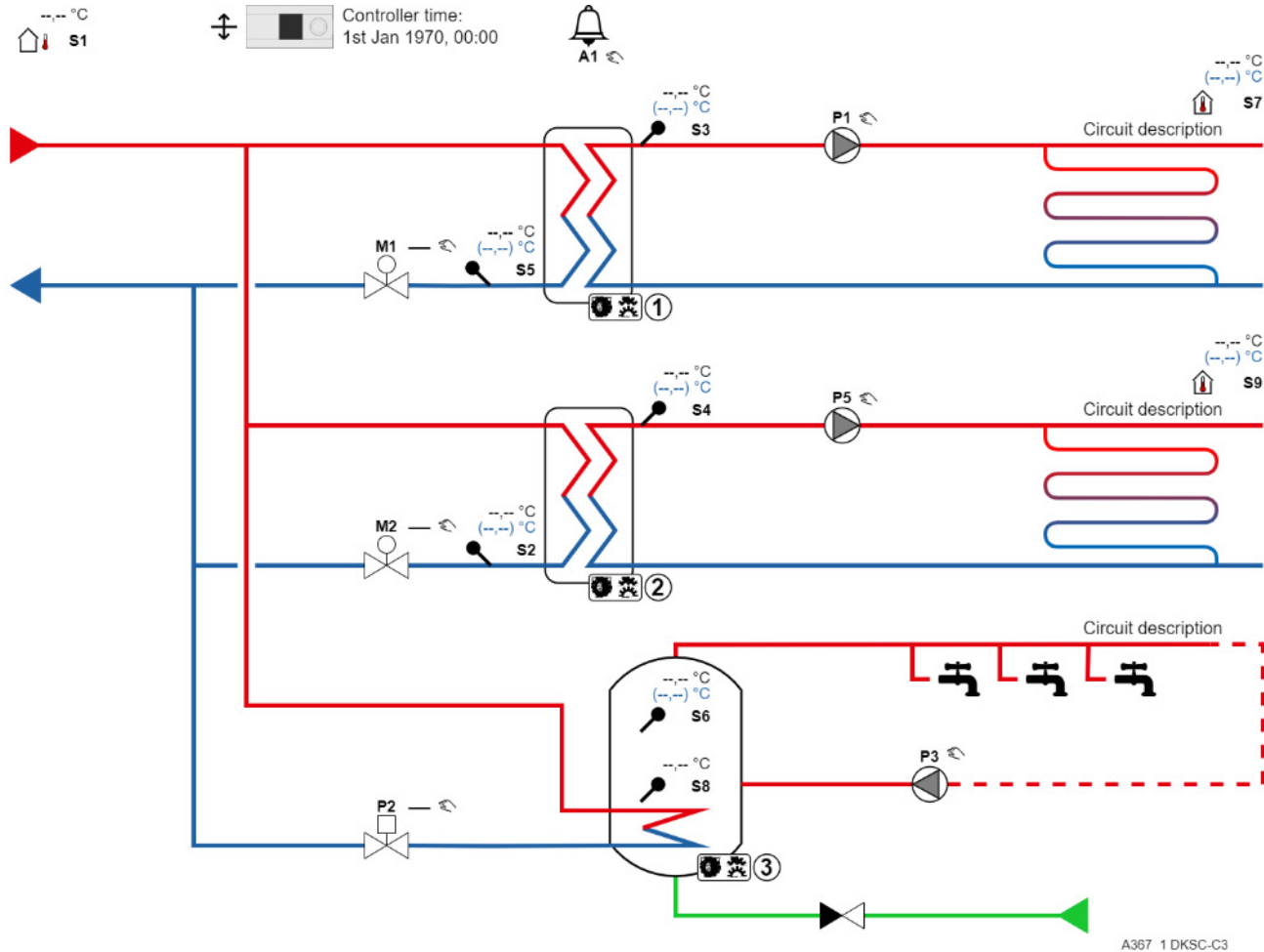
Leanheat® Monitor – A367.1 DKSC-C1



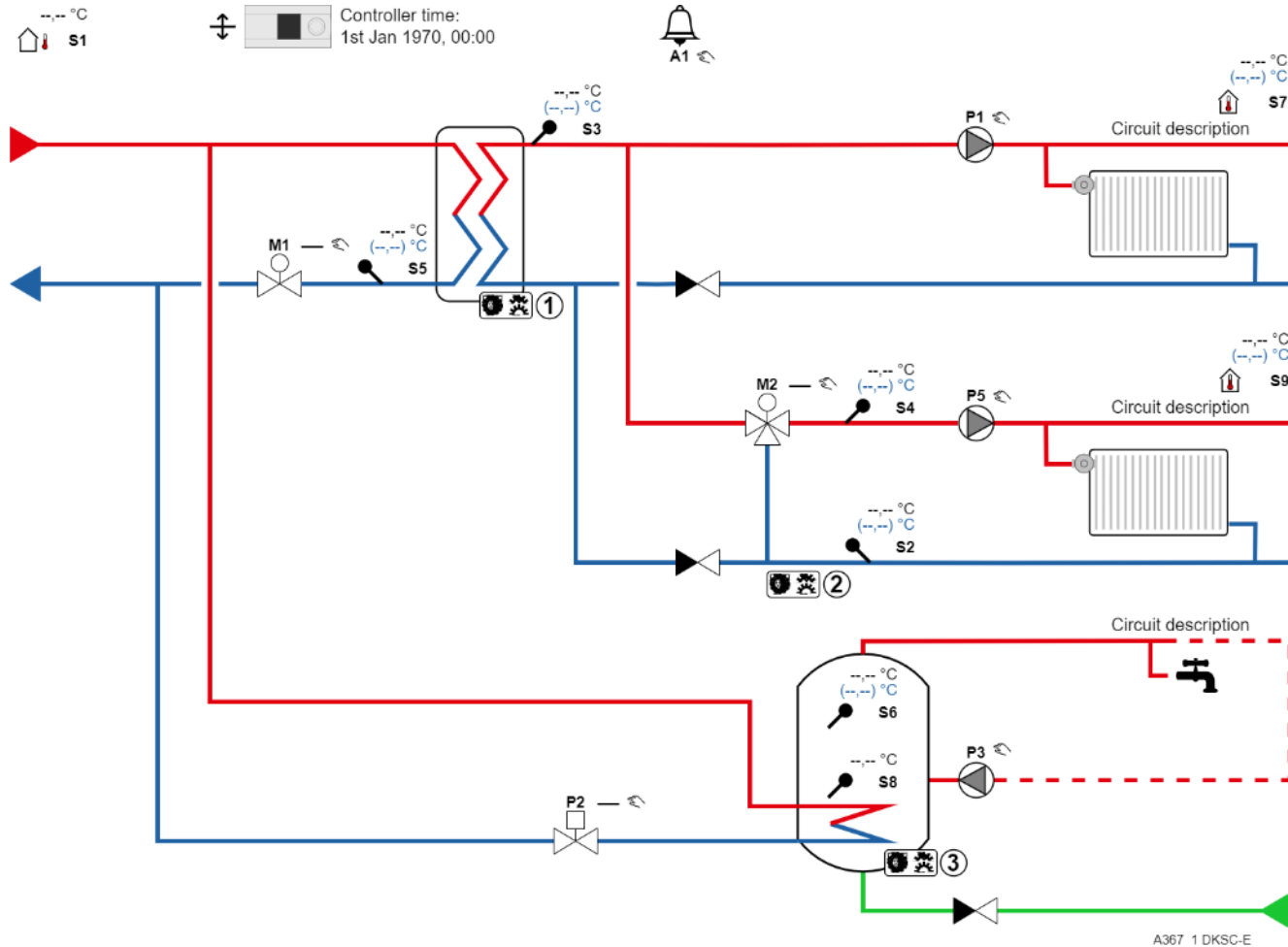
Leanheat® Monitor – A367.1 DKSC-C2



Leanheat® Monitor – A367.1 DKSC-C3



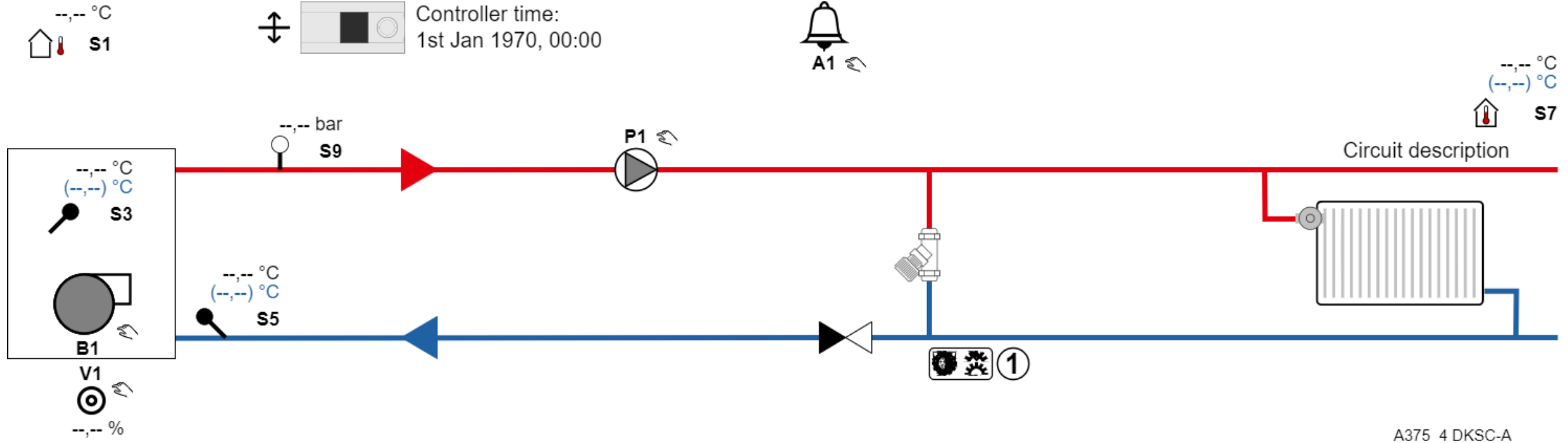
Leanheat® Monitor – A367.1 DKSC-E



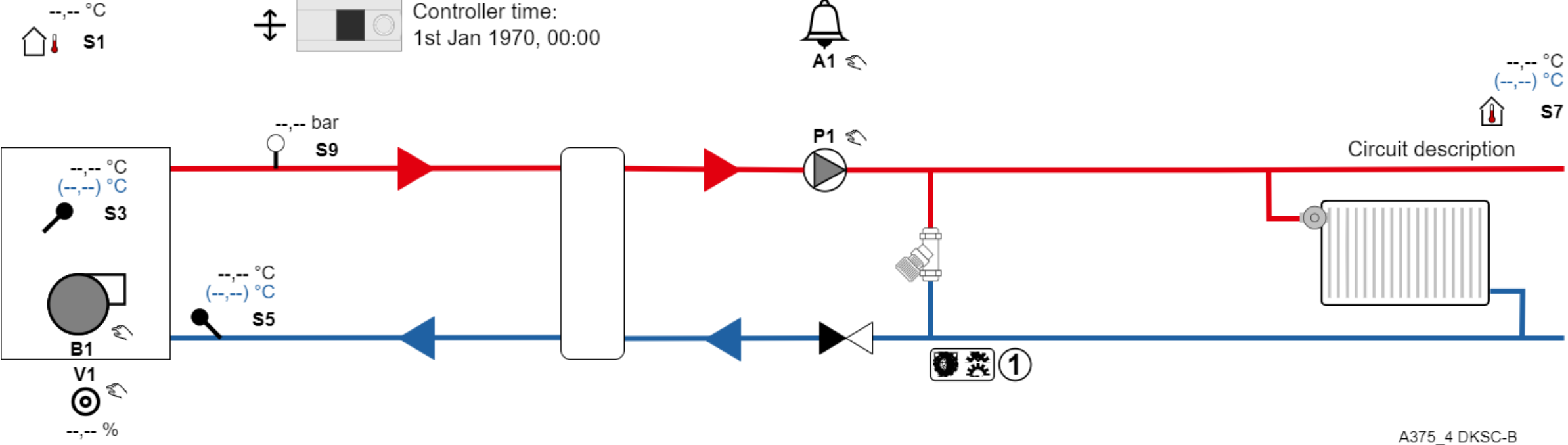
A275



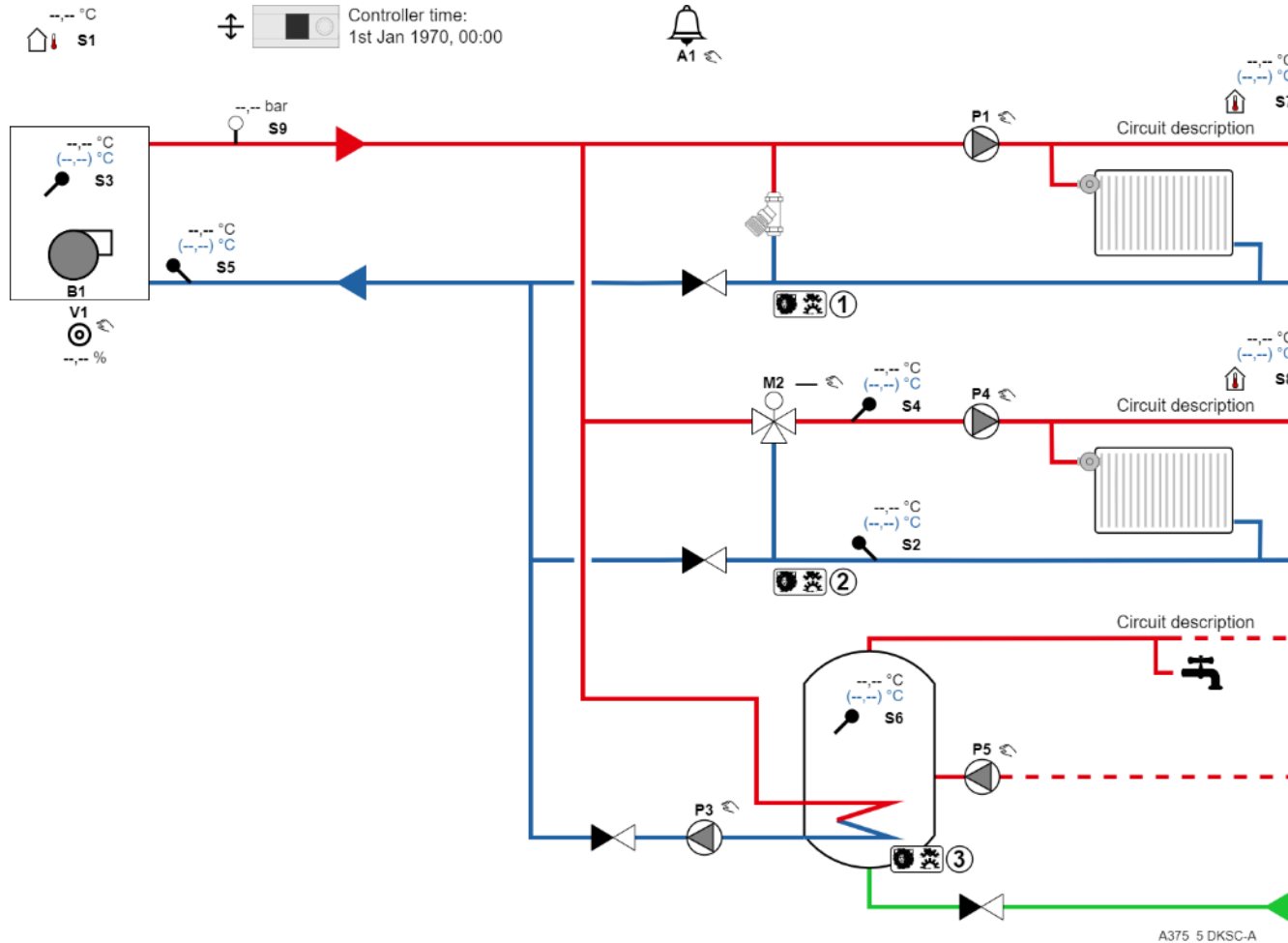
Leanheat® Monitor – A375.4 DKSC-A



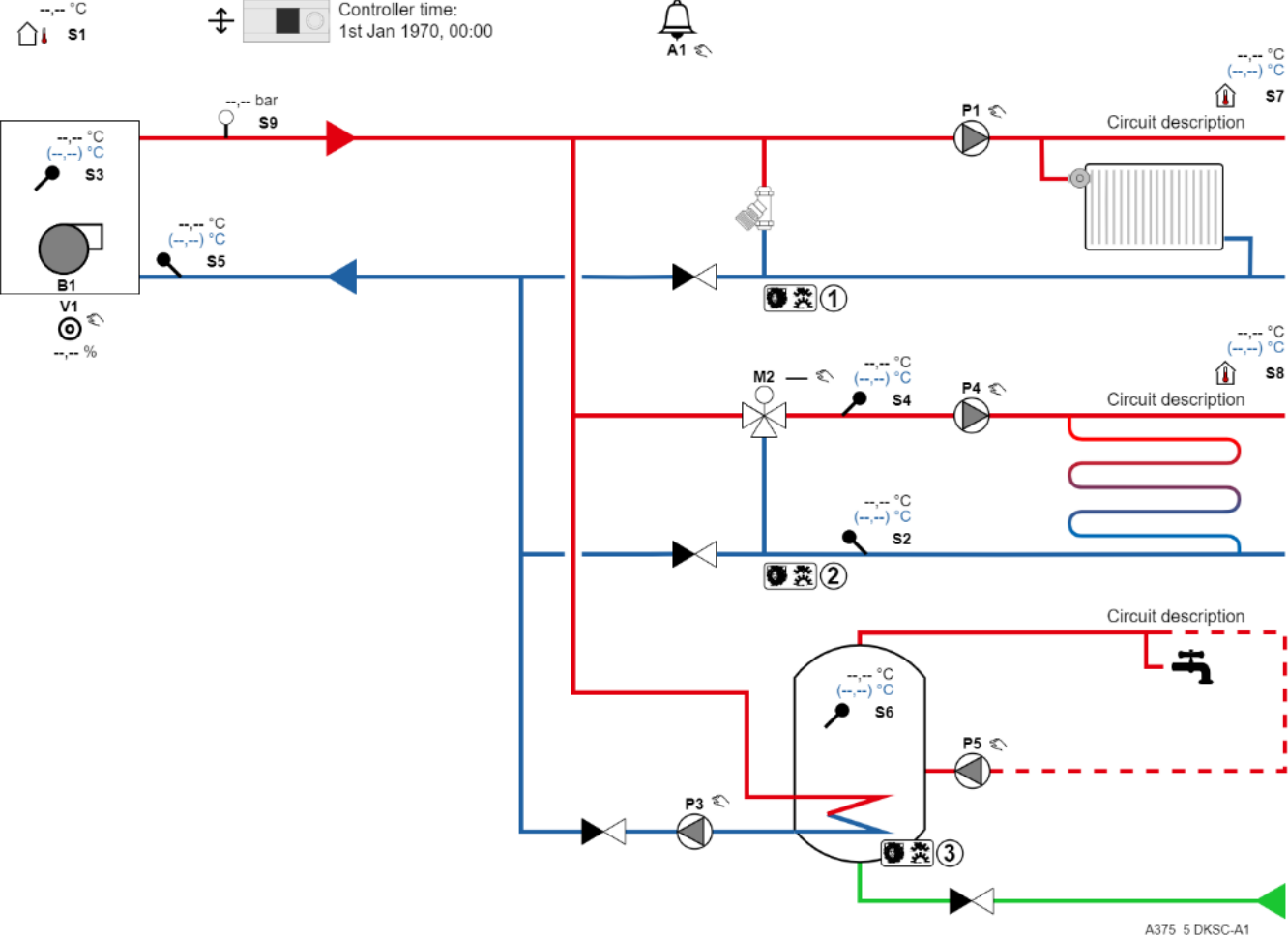
Leanheat® Monitor – A375.4 DKSC-B



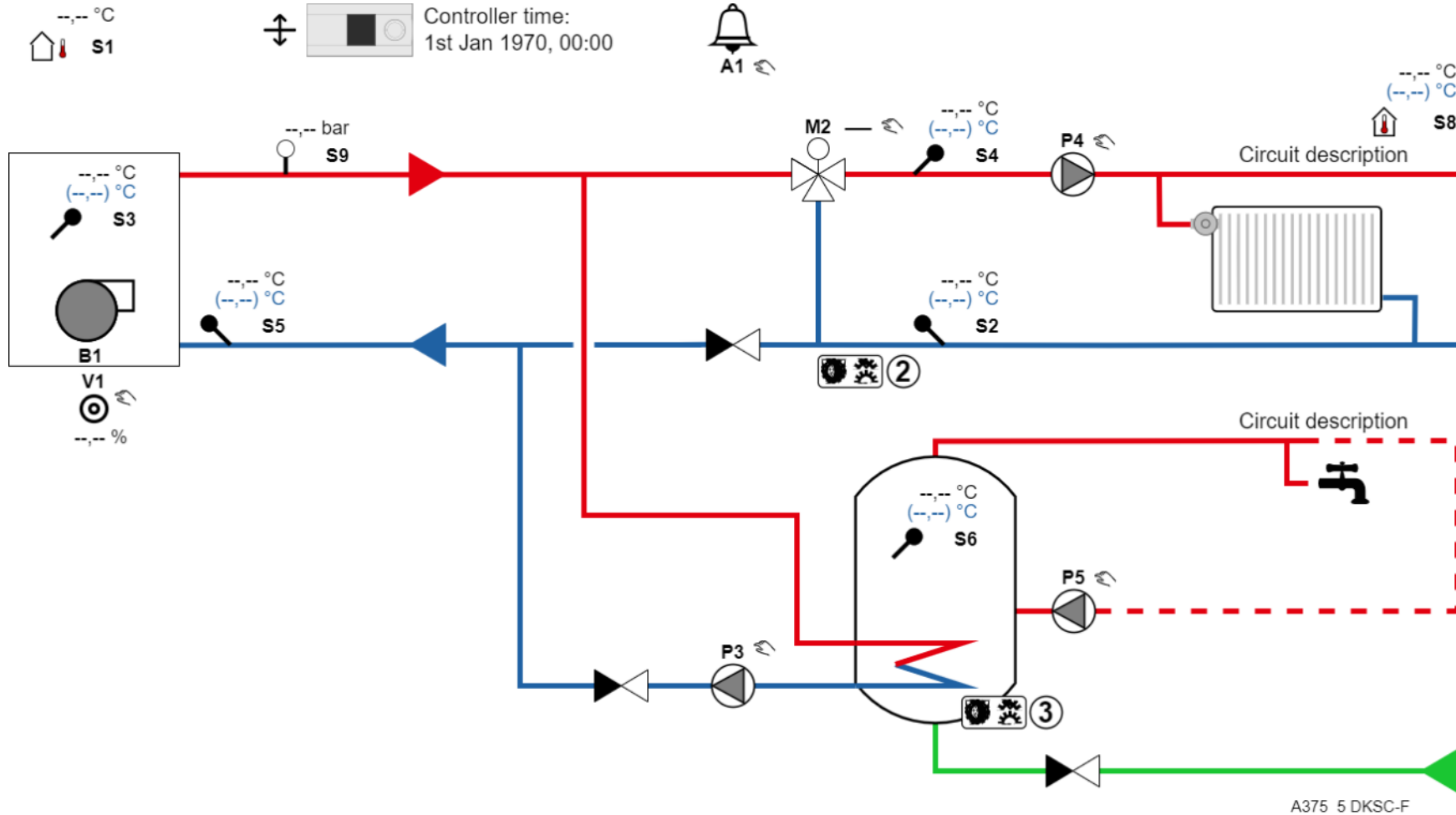
Leanheat® Monitor – A375.5 DKSC-A



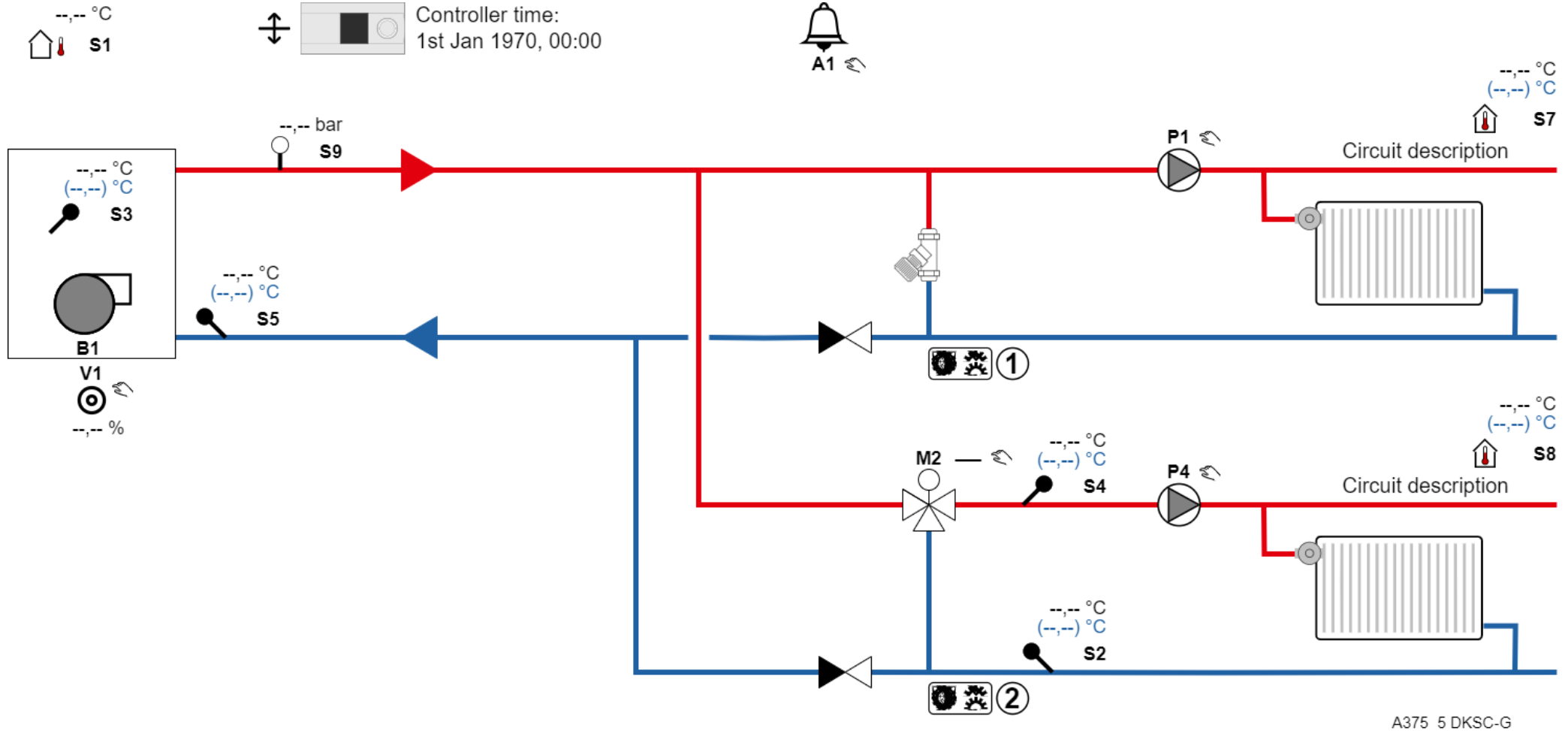
Leanheat® Monitor – A375.5 DKSC-A1



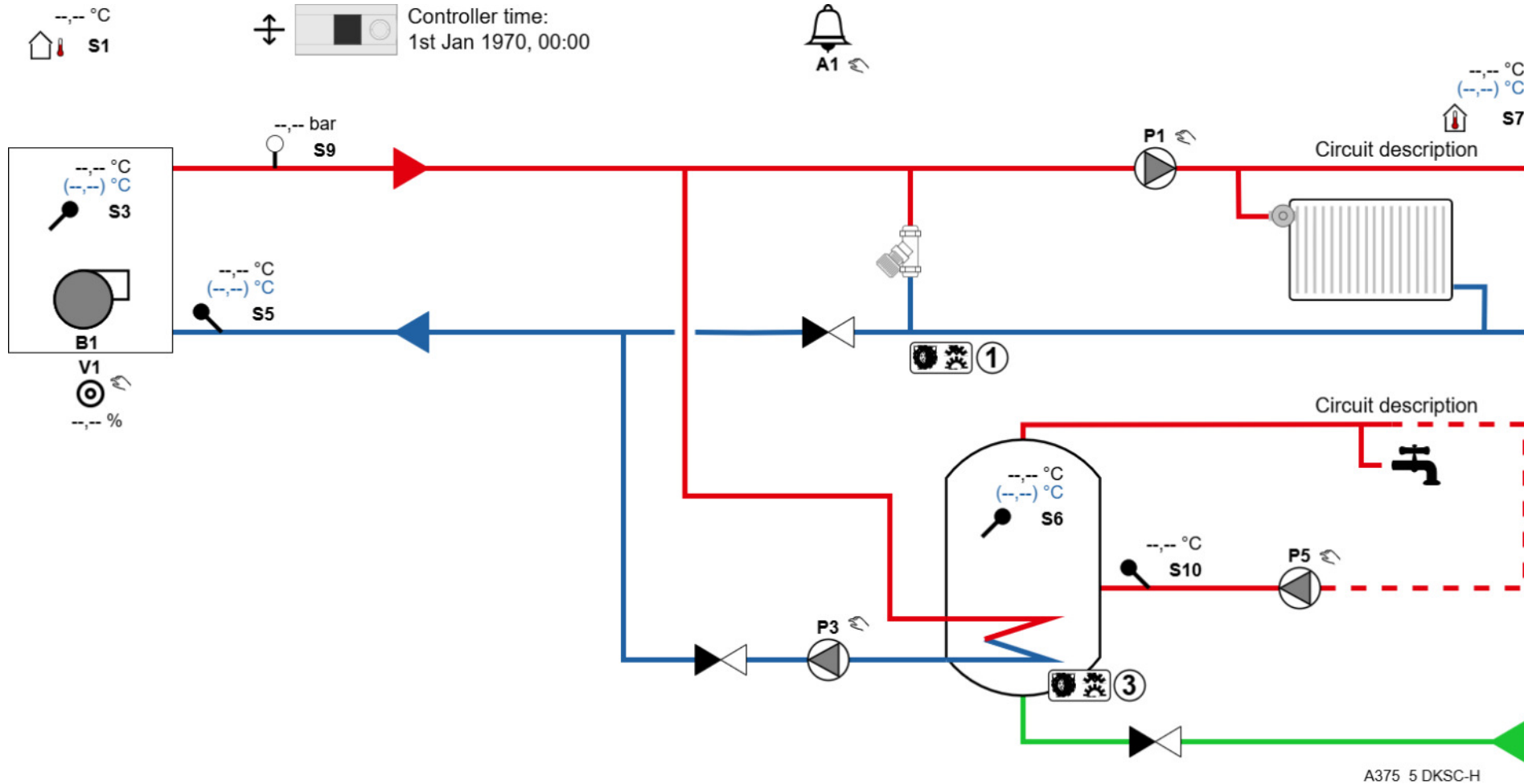
Leanheat® Monitor – A375.5 DKSC-F



Leanheat® Monitor – A375.5 DKSC-G



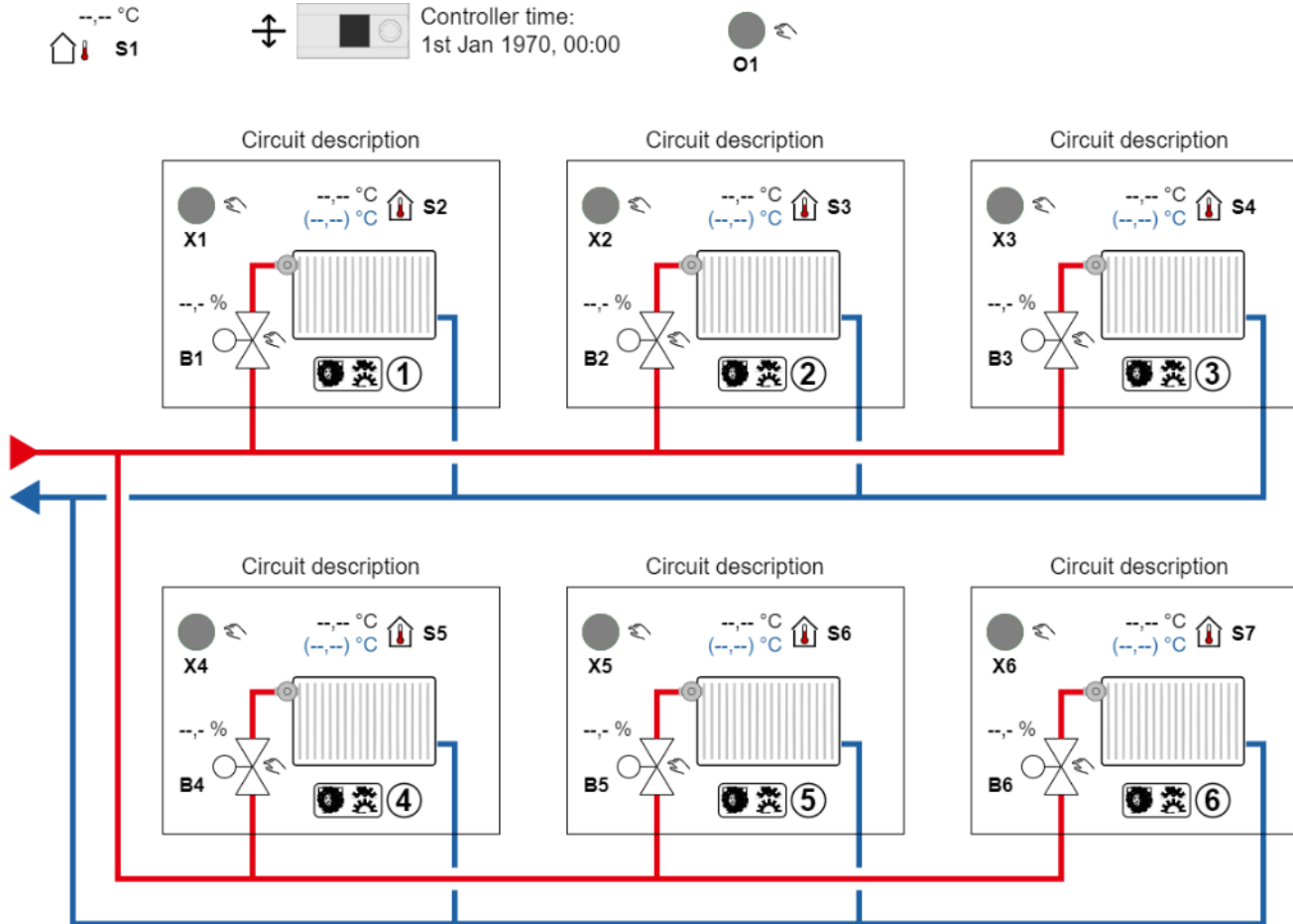
Leanheat® Monitor – A375.5 DKSC-H



A302

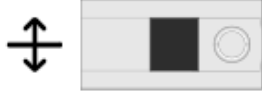
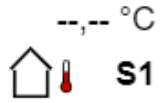


Leanheat® Monitor – A302.1 DKSC-A1

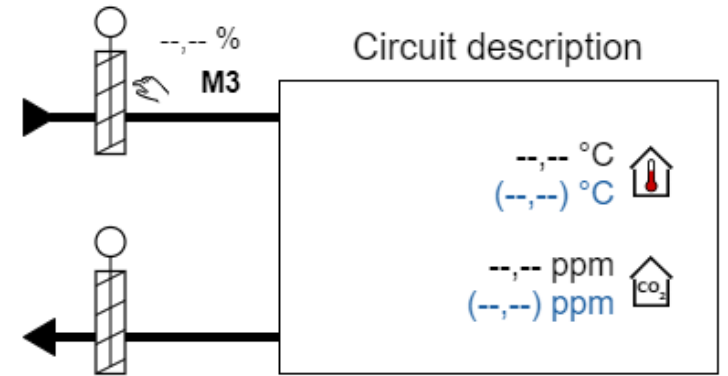
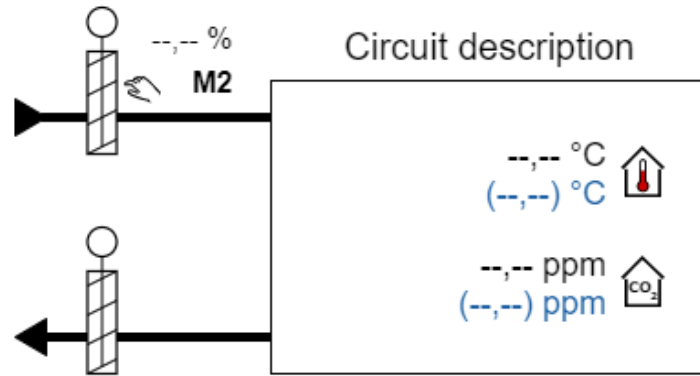
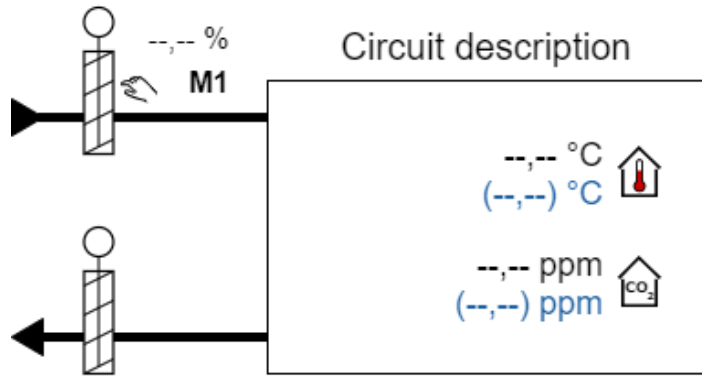


A302 1 DKSC-A1

Leanheat® Monitor – A302.1 DKSC-A4

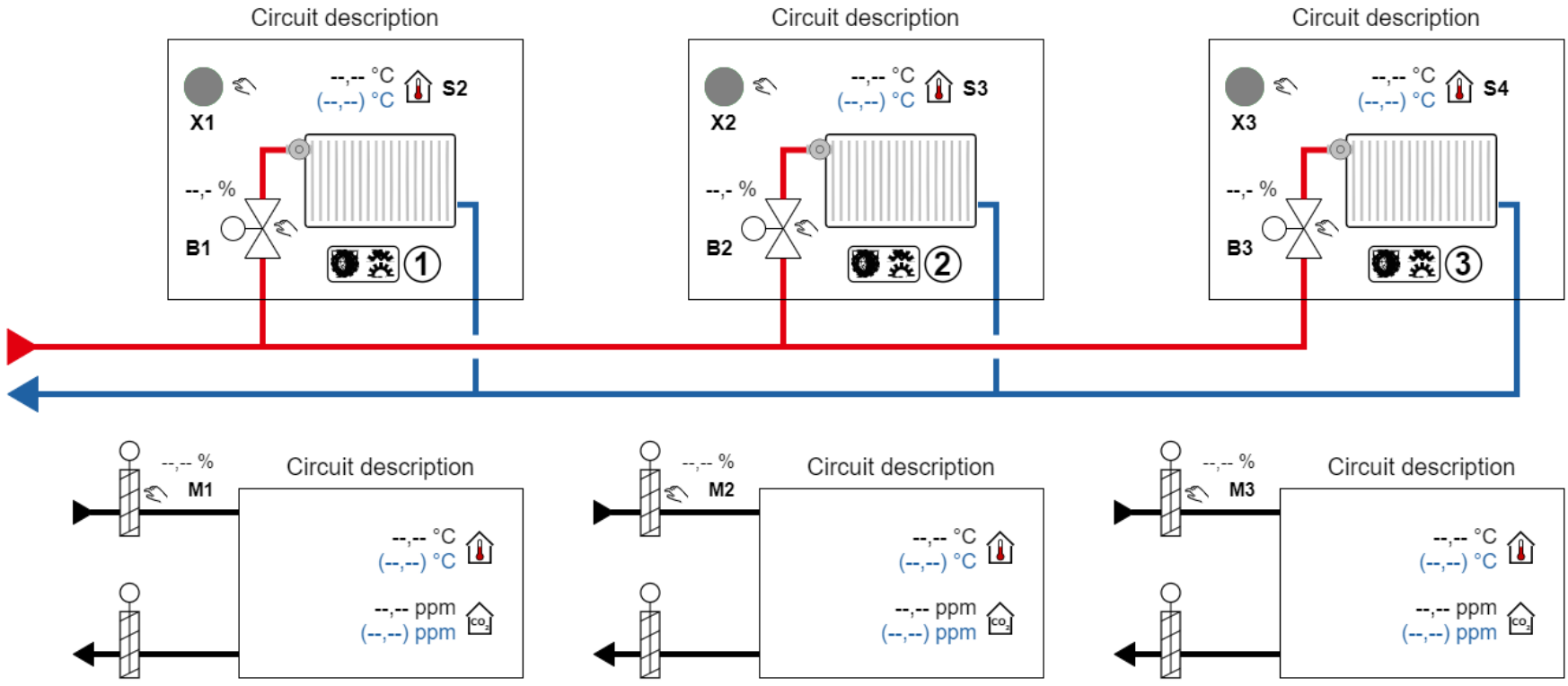
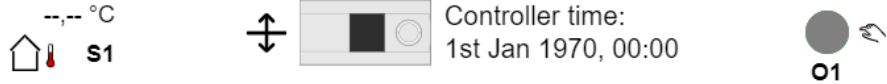


Controller time:
1st Jan 1970, 00:00



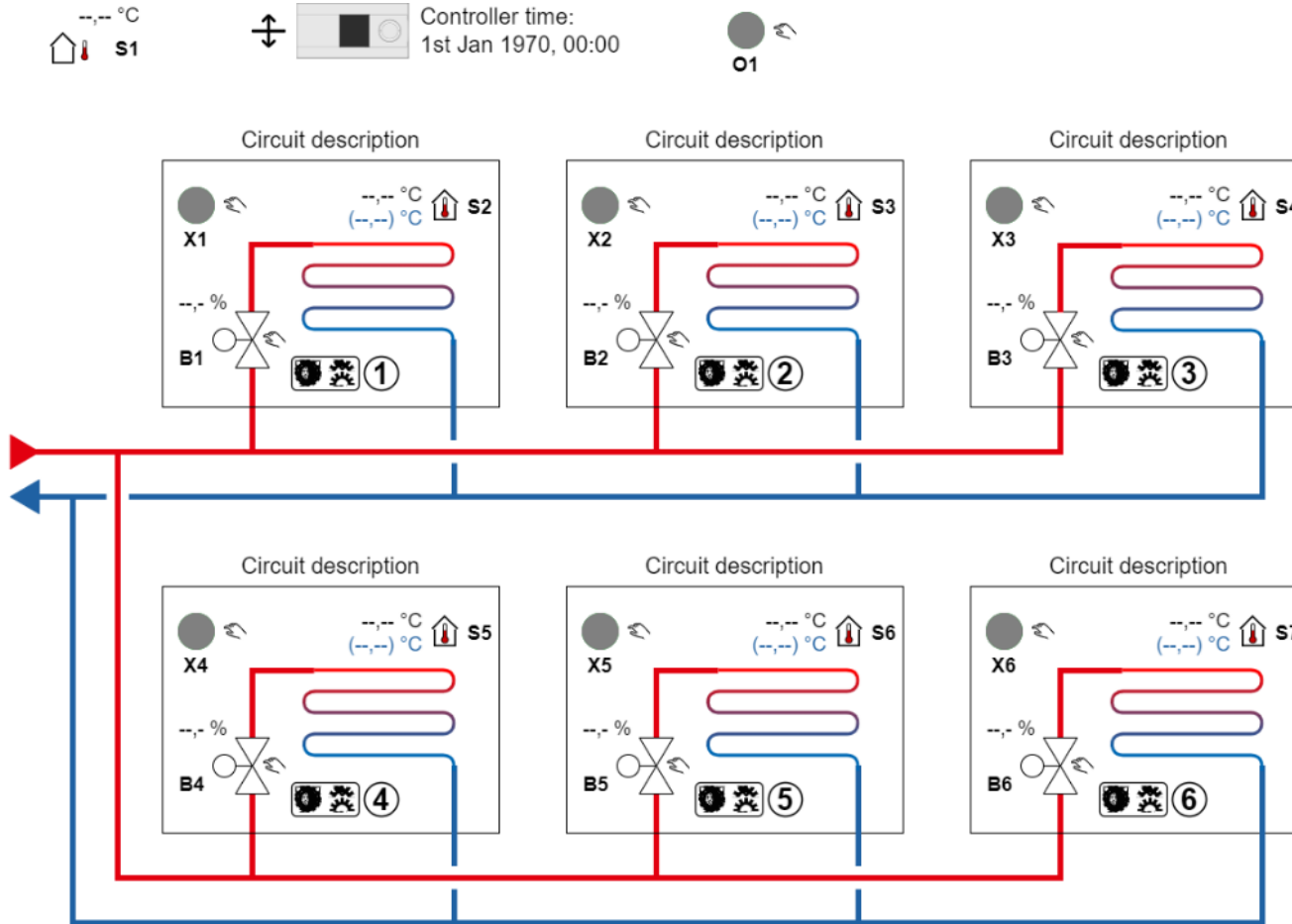
A302 1 DKSC-A4

Leanheat® Monitor – A302.1 DKSC-A5



A302 1 DKSC-A5

Leanheat® Monitor – A302.1 DKSC-B1

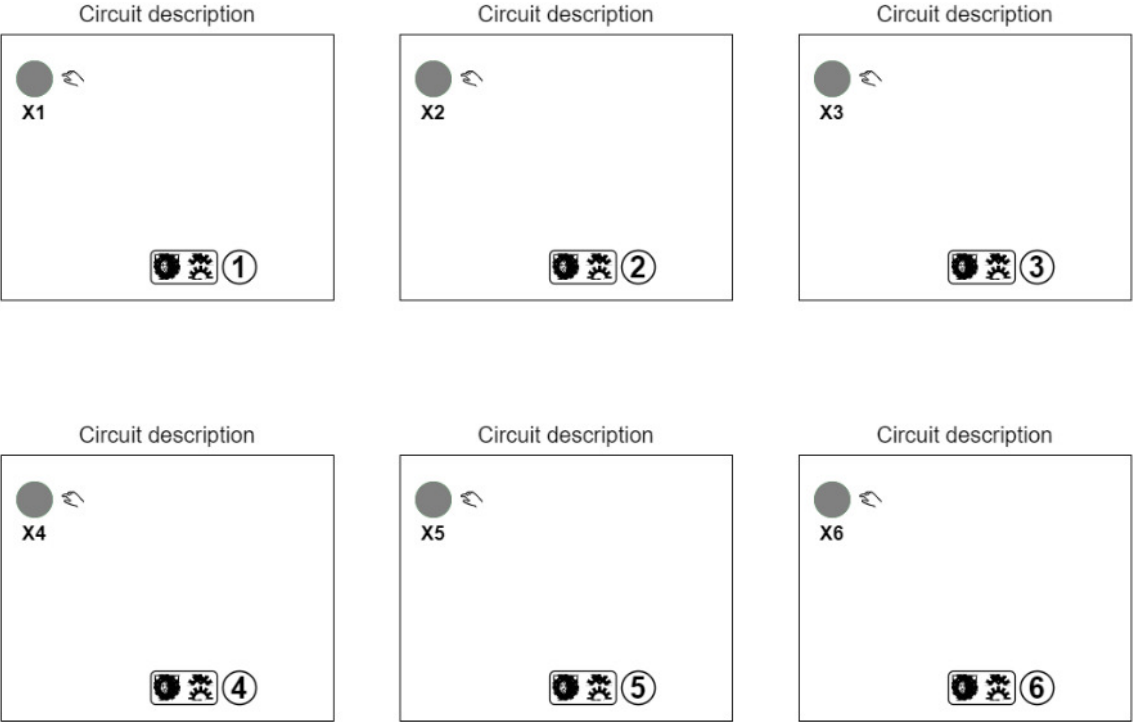


A302 1 DKSC-B1

Leanheat® Monitor – A302.1 DKSC-D



--- °C
S1
Controller time:
1st Jan 1970, 00:00



A302 1 DKSC-D

Leanheat® Monitor – A302.1 DKSC-E



Controller time:
1st Jan 1970, 00:00



-- °C
(--)-- °C
S1

-- °C
(--)-- °C
S2

-- °C
(--)-- °C
S3

-- °C
(--)-- °C
S4

-- °C
(--)-- °C
S5

-- °C
(--)-- °C
S6

-- °C
(--)-- °C
S7

-- ppm
(--)-- ppm S8

-- ppm
(--)-- ppm S9

-- ppm
(--)-- ppm S10

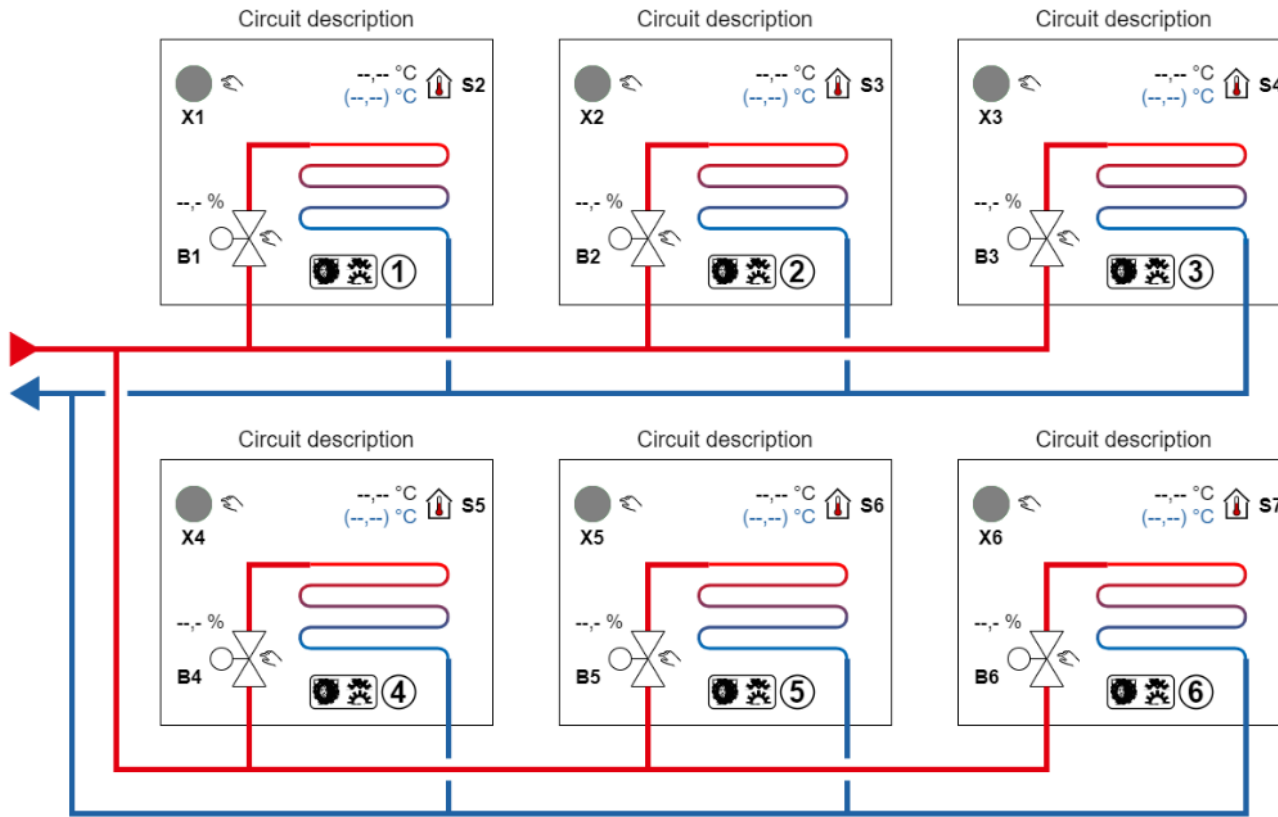
A302 1 DKSC-E

Leanheat® Monitor – A302.2 DKSC-A1



--- °C
🏠 S1

↕  Controller time:
1st Jan 1970, 00:00

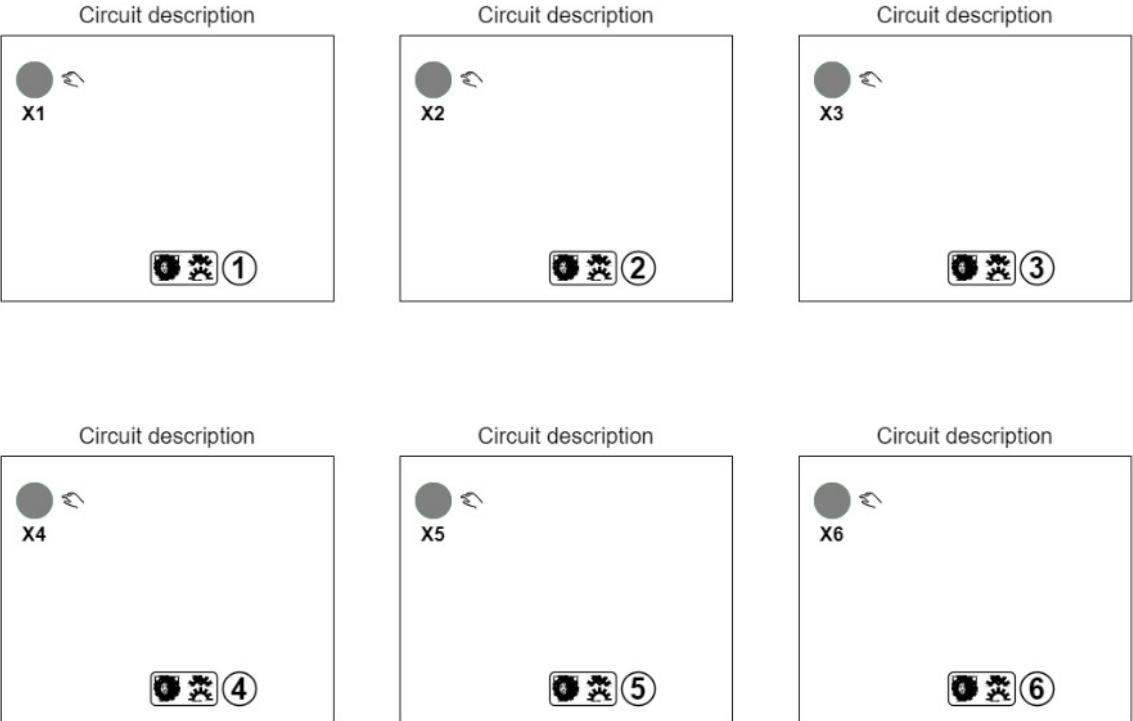


A302 2 DKSC-A1

Leanheat® Monitor – A302.2 DKSC-B



--- °C
S1
Controller time:
1st Jan 1970, 00:00

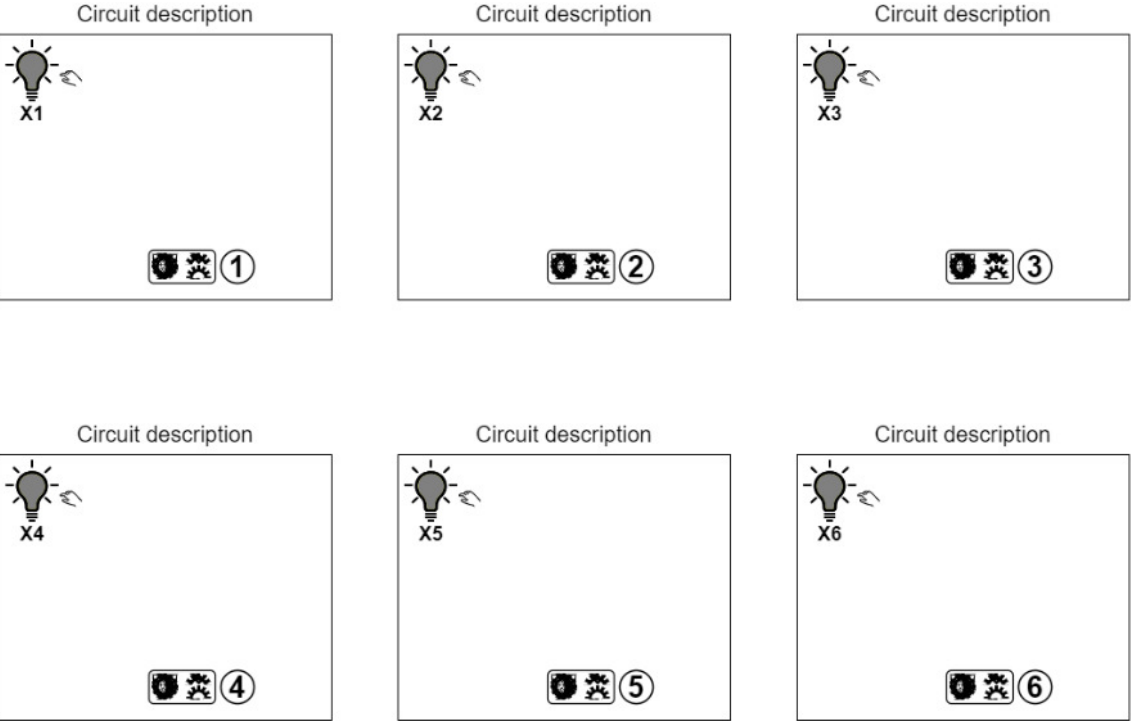


A302 2 DKSC-B

Leanheat® Monitor – A302.2 DKSC-B1



--- °C
S1
Controller time:
1st Jan 1970, 00:00



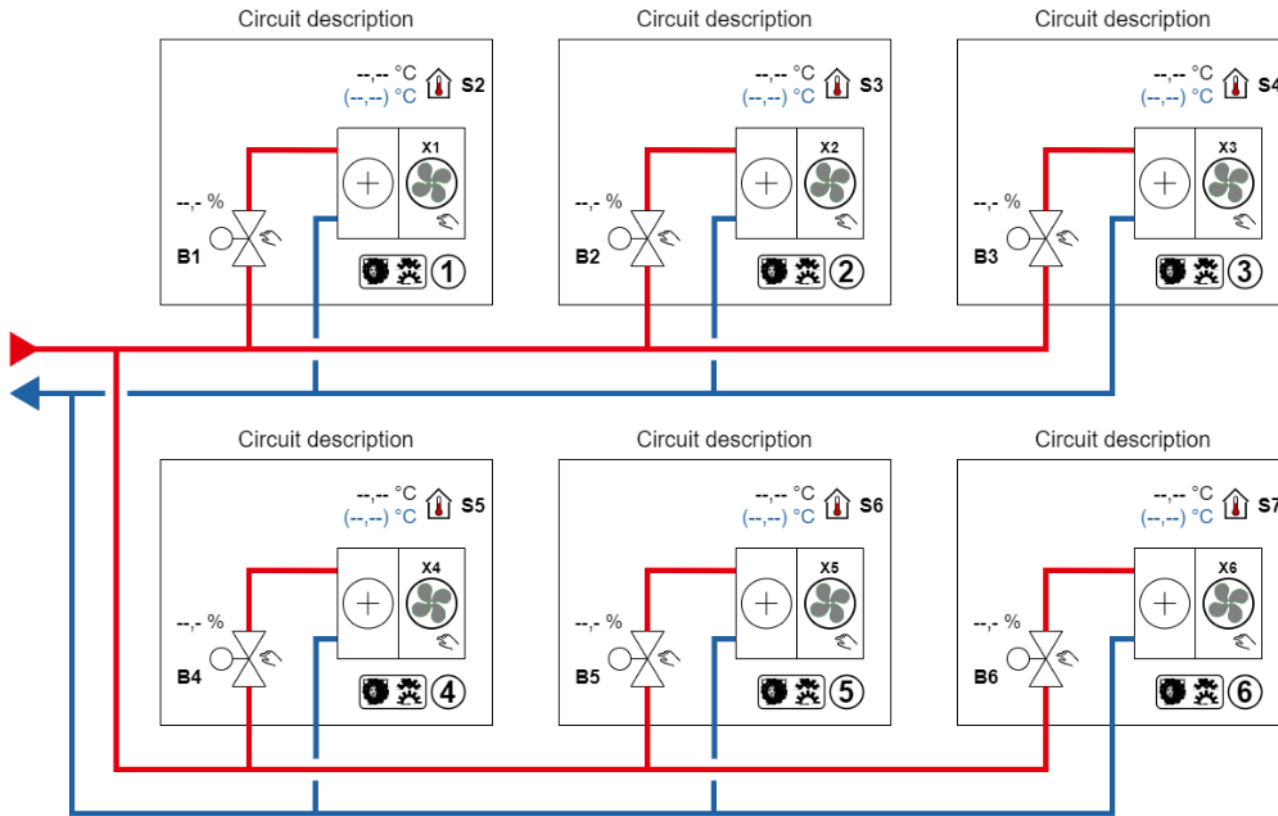
A302 2 DKSC-B1

Leanheat® Monitor – A302.2 DKSC-C



--- °C
S1

Controller time:
1st Jan 1970, 00:00



A302 2 DKSC-C

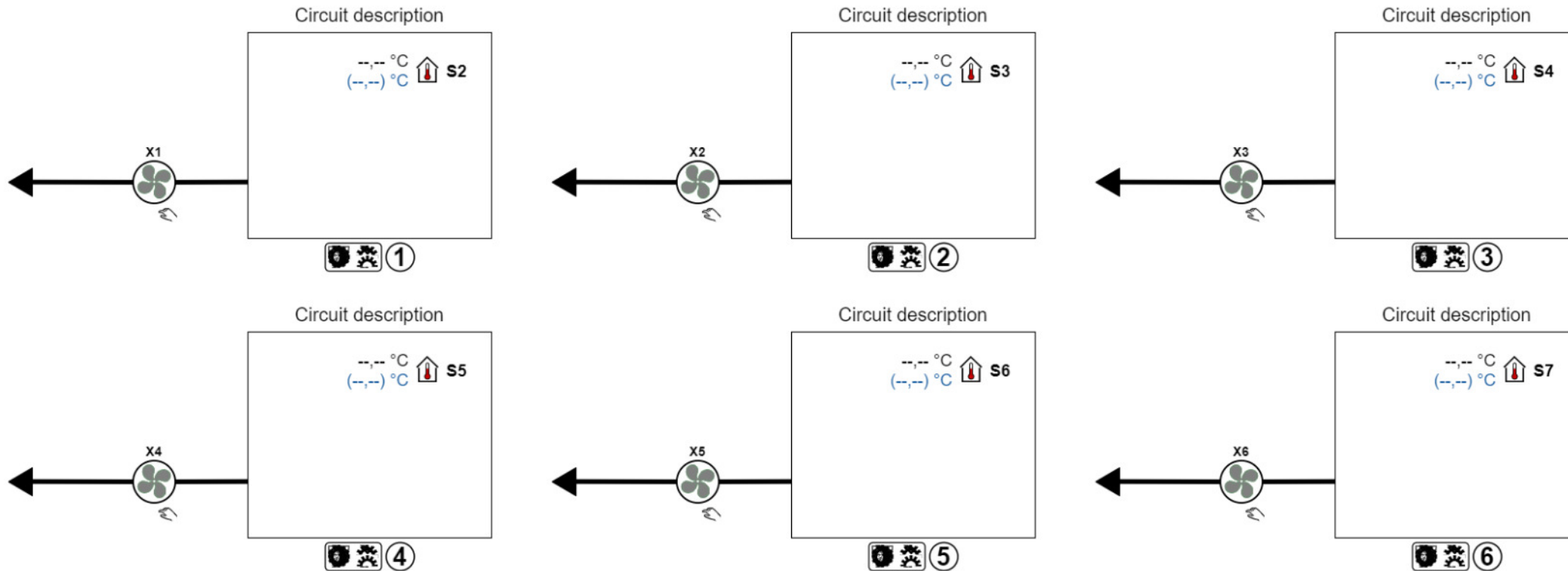
Leanheat® Monitor – A302.2 DKSC-F



--- °C
s1

↕

Controller time:
1st Jan 1970, 00:00



A302 2 DKSC-F

Leanheat® Monitor – A302.3 DKSC-B

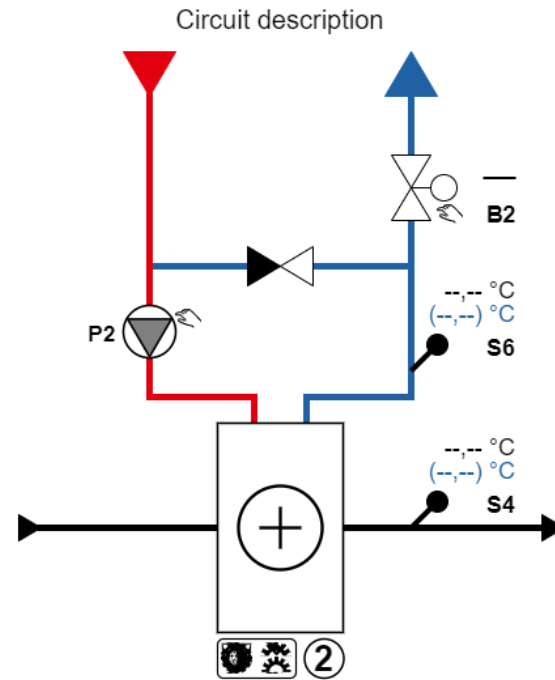
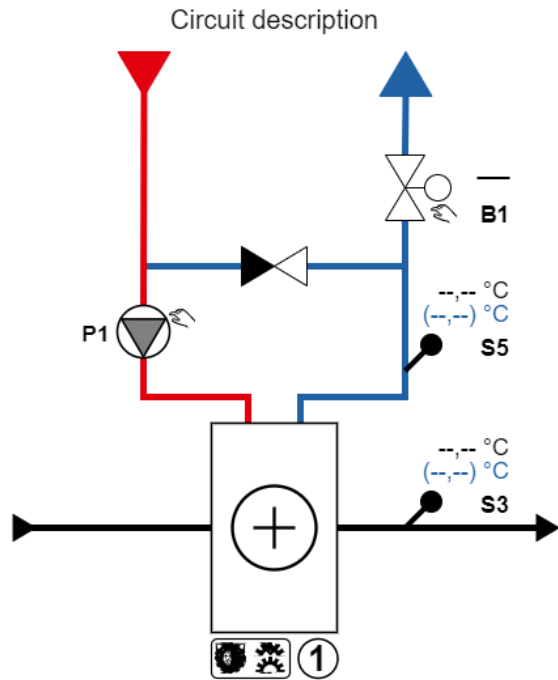


--- °C
S1

Controller time:
1st Jan 1970, 00:00

A1

X1



A302 3 DKSC-B

Leanheat® Monitor – A302.3 DKSC-D



Controller time:
1st Jan 1970, 00:00



-- °C
(--)-- °C
S1

-- °C
(--)-- °C
S2

-- °C
(--)-- °C
S3

-- °C
(--)-- °C
S4

-- °C
(--)-- °C
S5

-- °C
(--)-- °C
S6

-- °C
(--)-- °C
S7

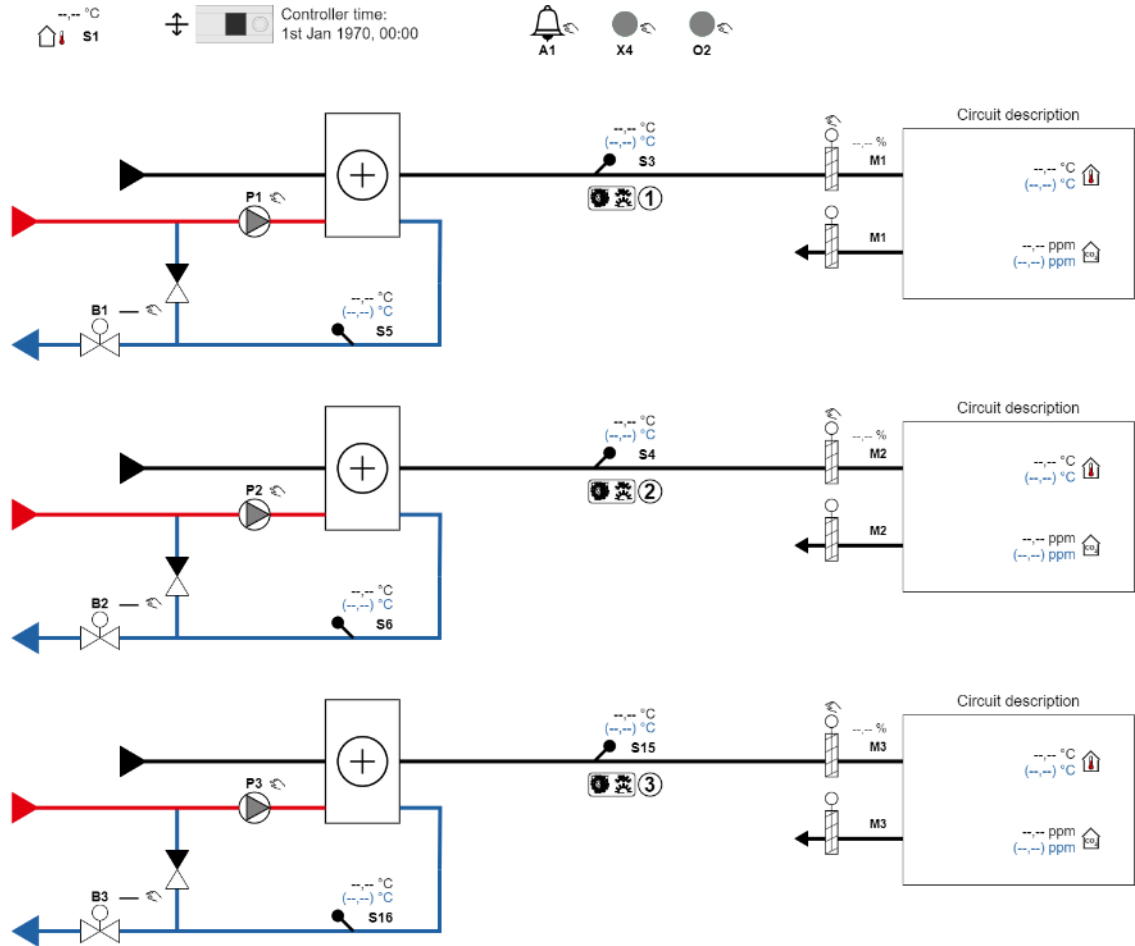
-- ppm
(--)-- ppm S8

-- ppm
(--)-- ppm S9

-- ppm
(--)-- ppm S10

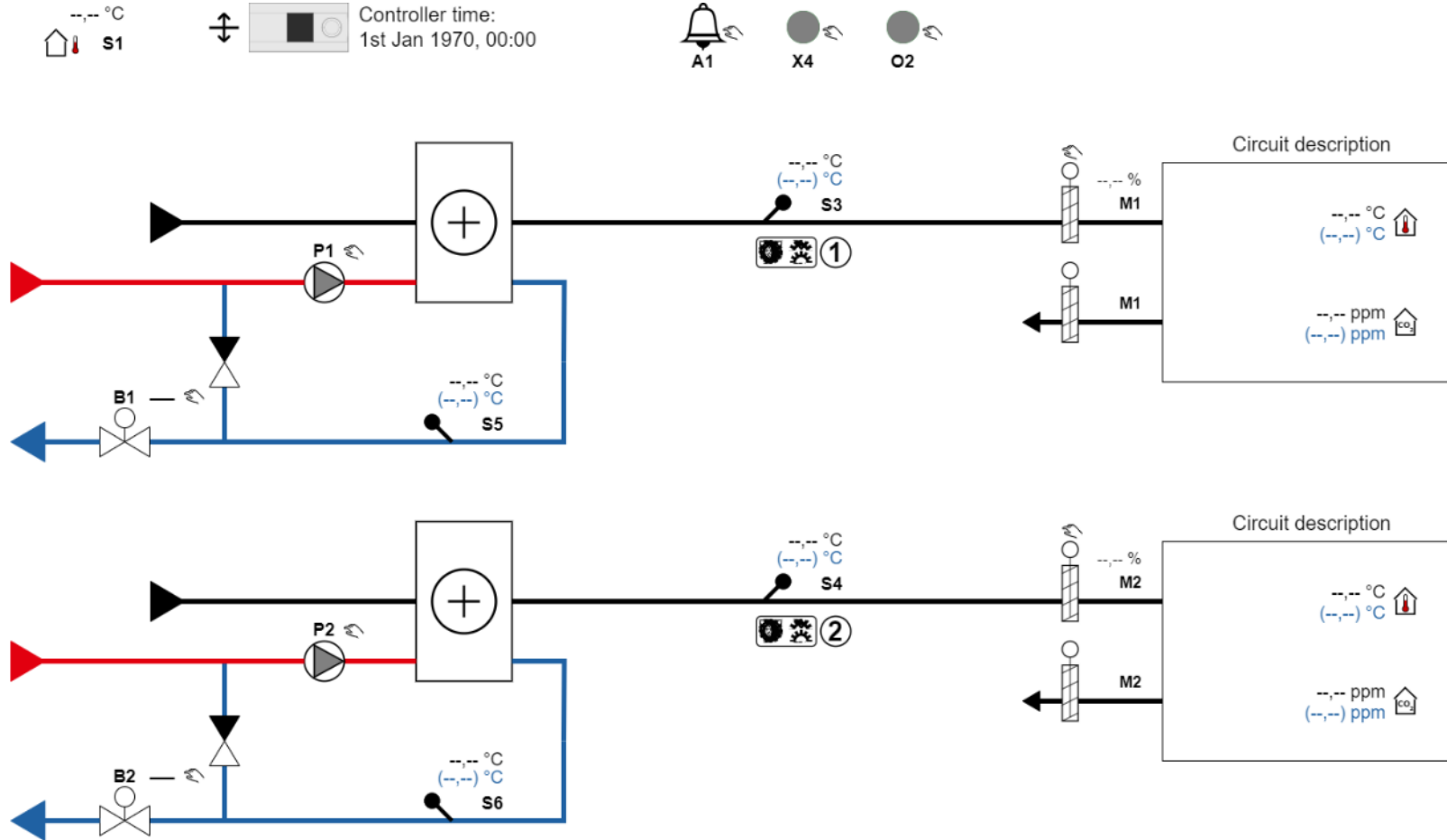
A302 3 DKSC-D

Leanheat® Monitor – A302.4 ex. a



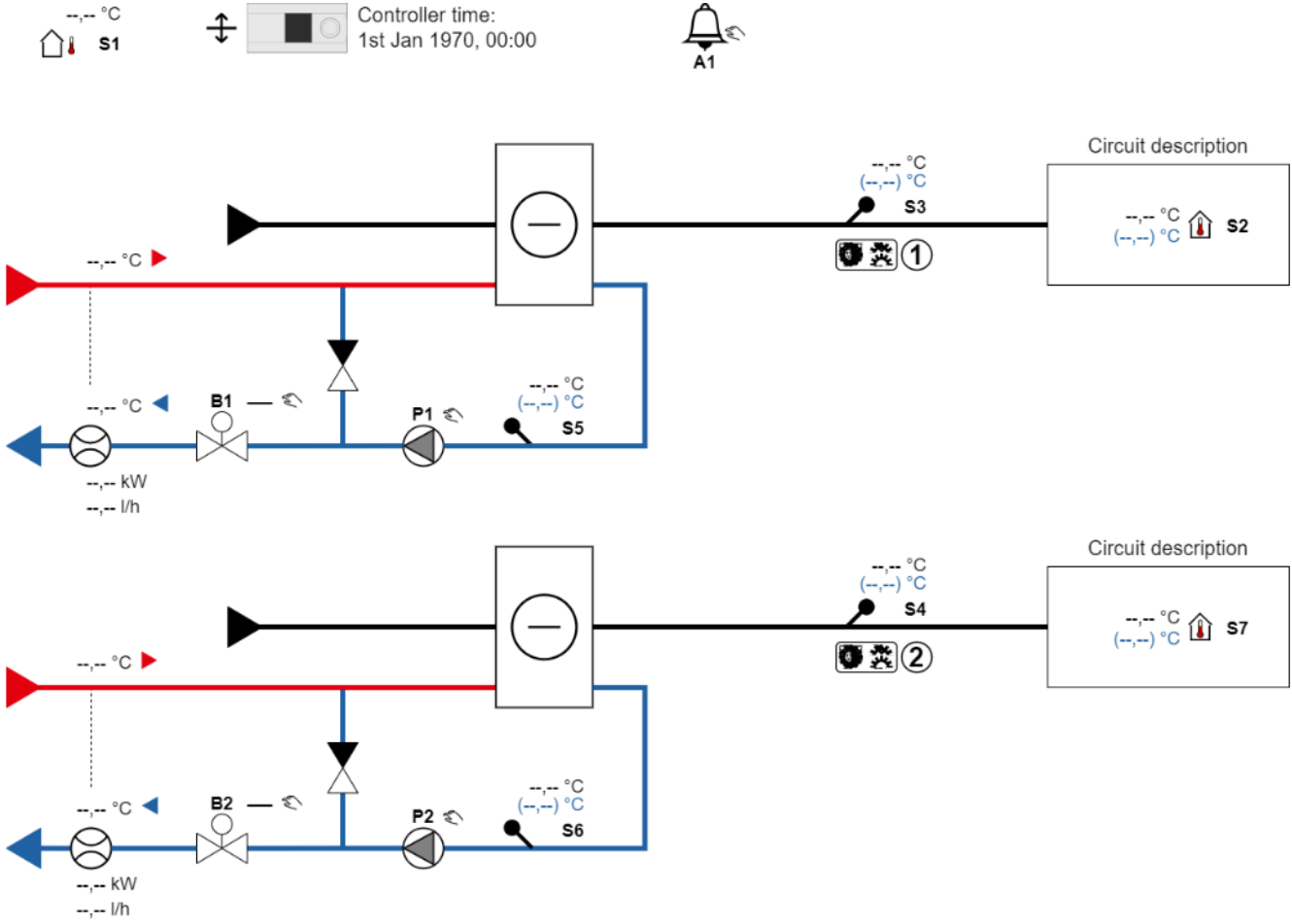
A302 4 ex. a

Leanheat® Monitor – A302.4 ex. a1



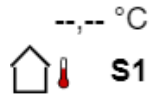
A302 4 ex. a1

Leanheat® Monitor – A302.5 DKSC-B-M12

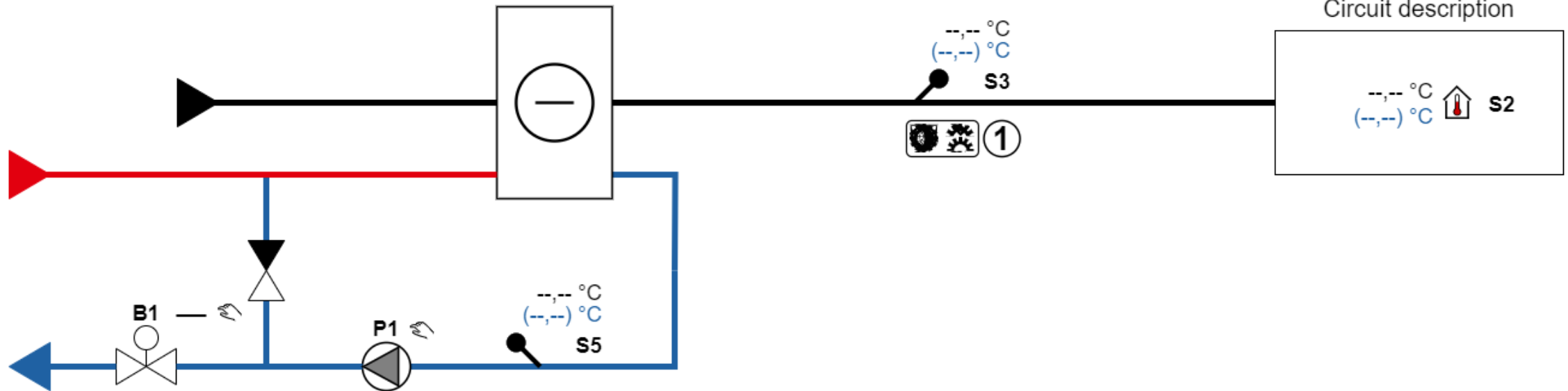


A302 5 DKSC-B-M12

Leanheat® Monitor – A302.5 DKSC-B1

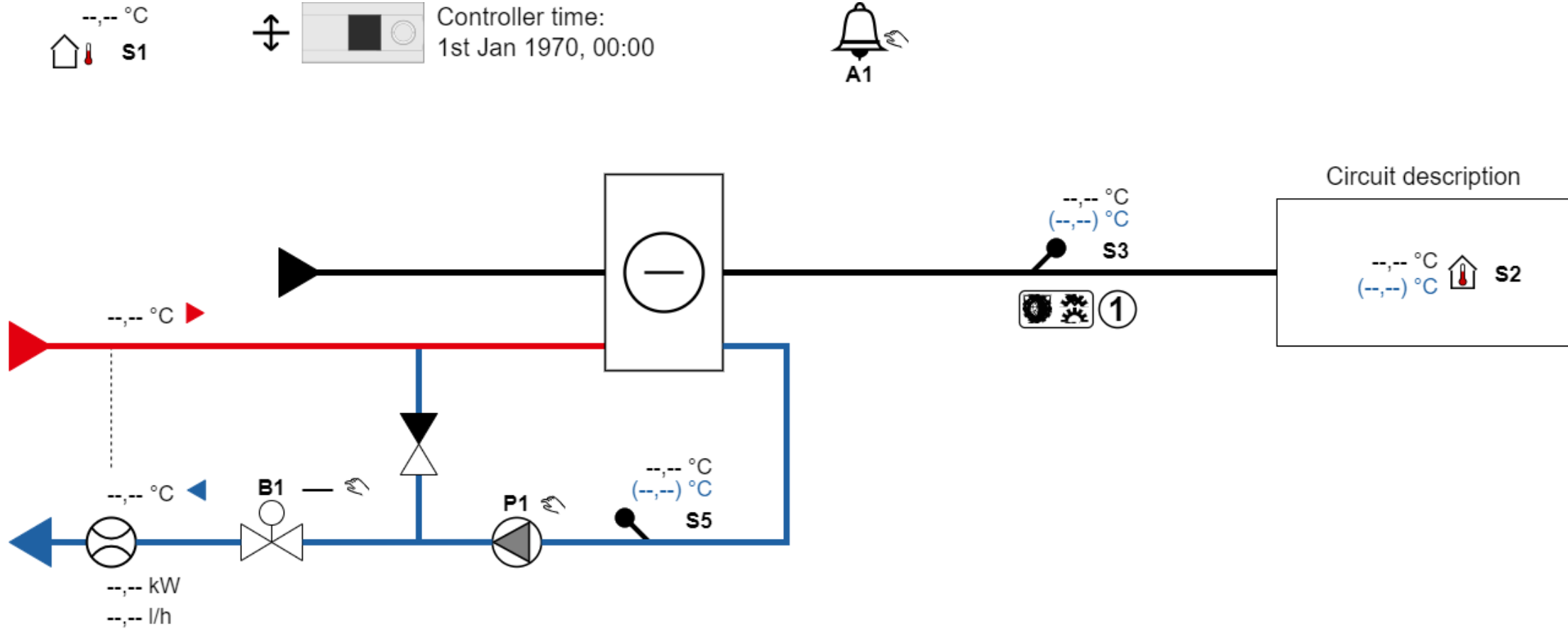


Controller time:
1st Jan 1970, 00:00



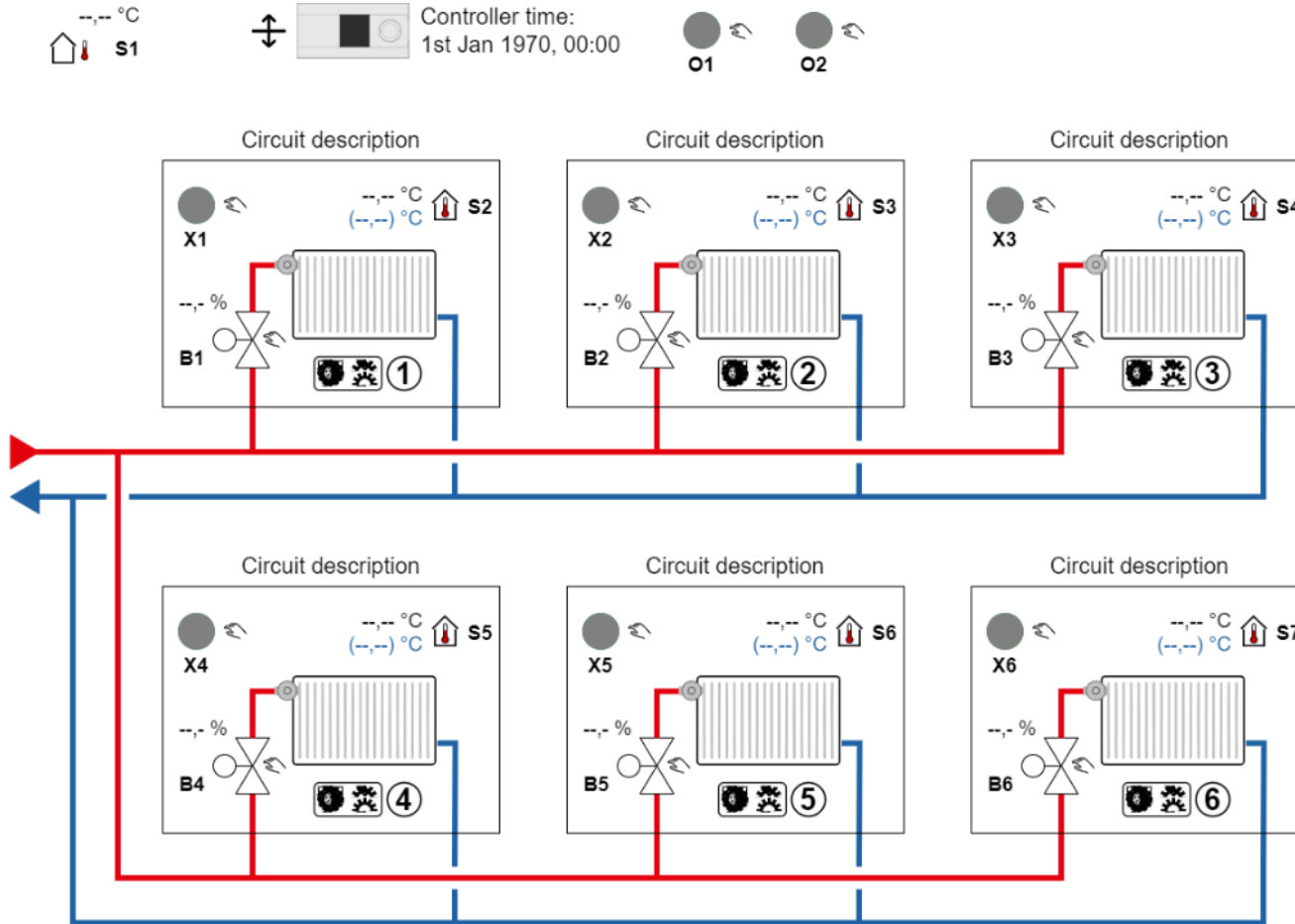
A302 5 DKSC-B1

Leanheat® Monitor – A302.5 DKSC-B1-M1



A302 5 DKSC-B1-M1

Leanheat® Monitor – A302.6 DKSC-A1

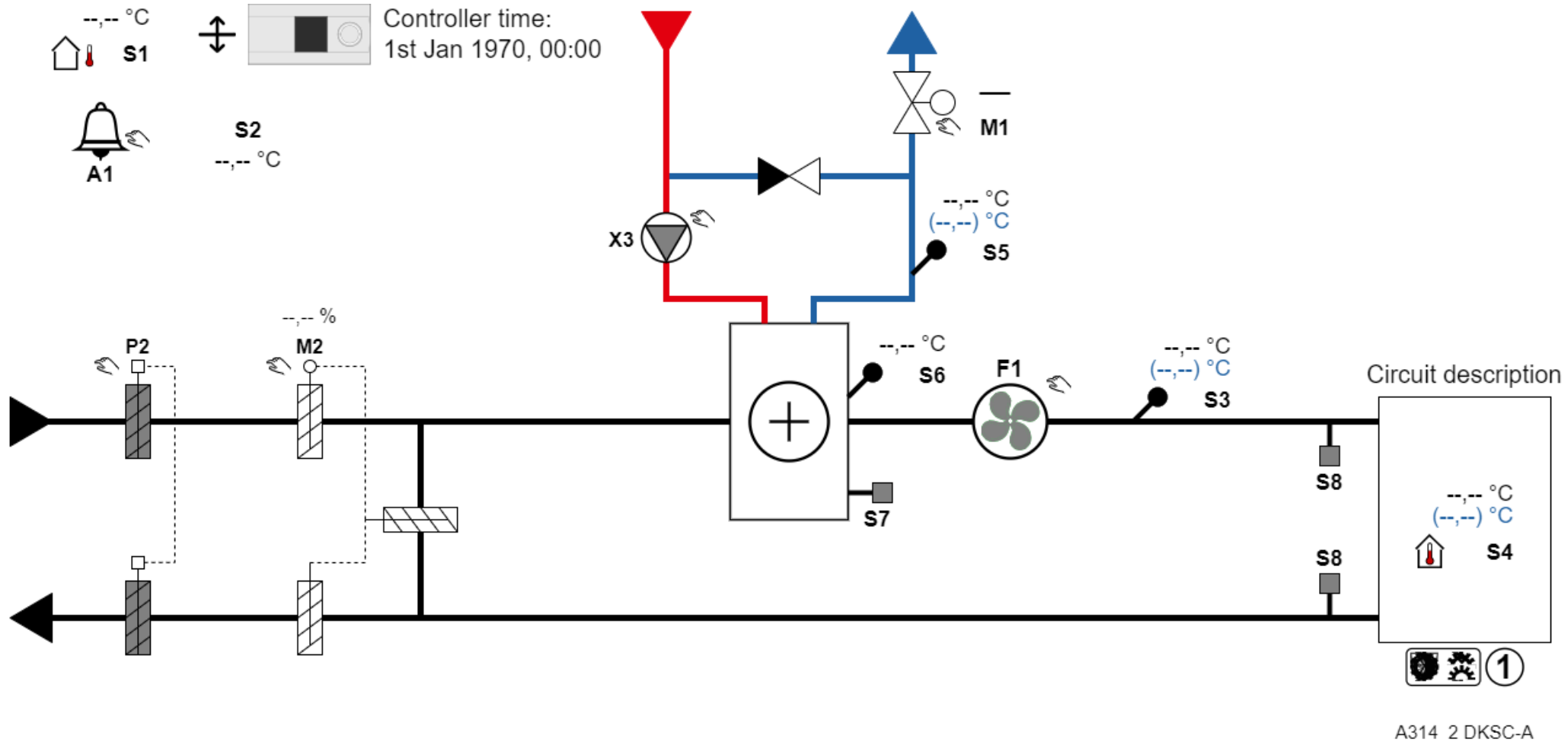


A302 6 DKSC-A1

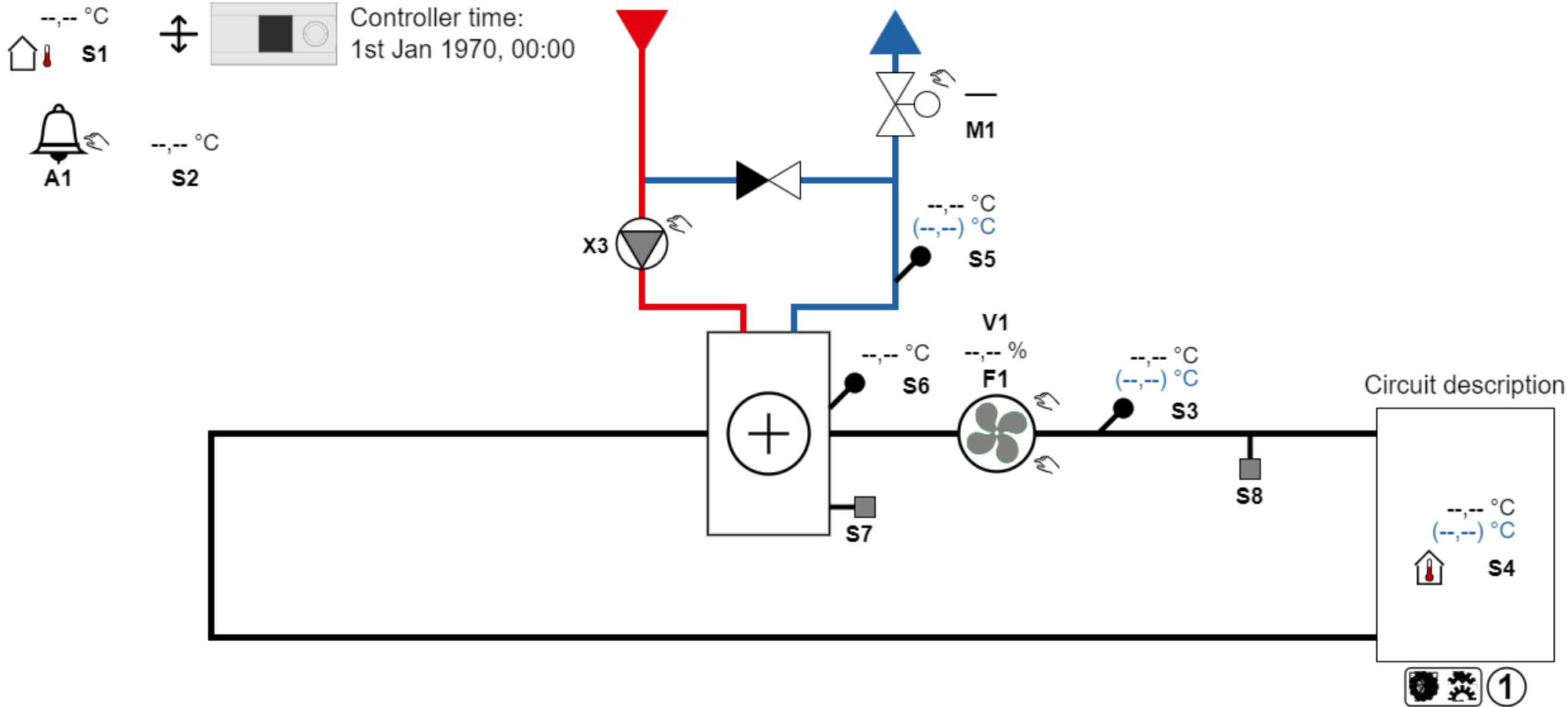
A314



Leanheat® Monitor – A314.2 DKSC-A



Leanheat® Monitor – A314.3 DKSC-A1



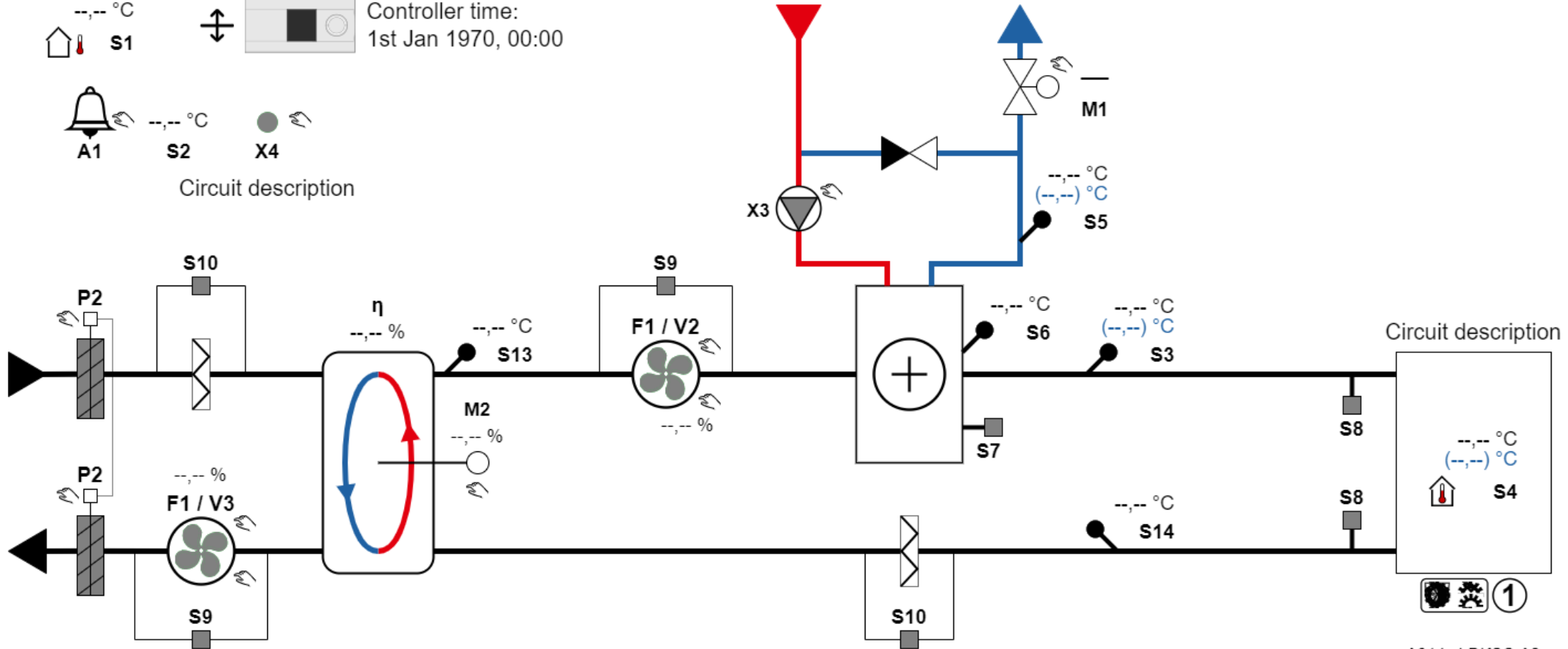
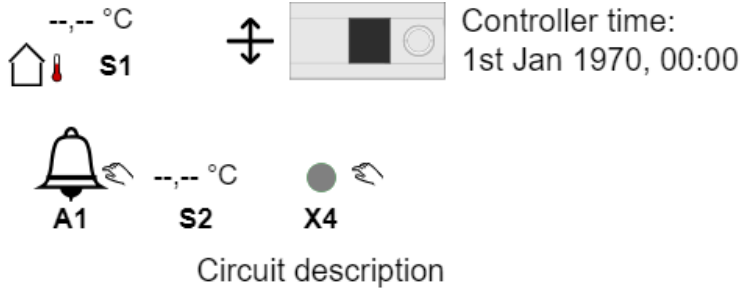
$--,--^{\circ}\text{C}$ S1
 A1
 $--,--^{\circ}\text{C}$ S2
 Controller time:
 1st Jan 1970, 00:00

Circuit description

$--,--^{\circ}\text{C}$
 $(--,--)^{\circ}\text{C}$
 S4
 ①

A314 3 DKSC-A1

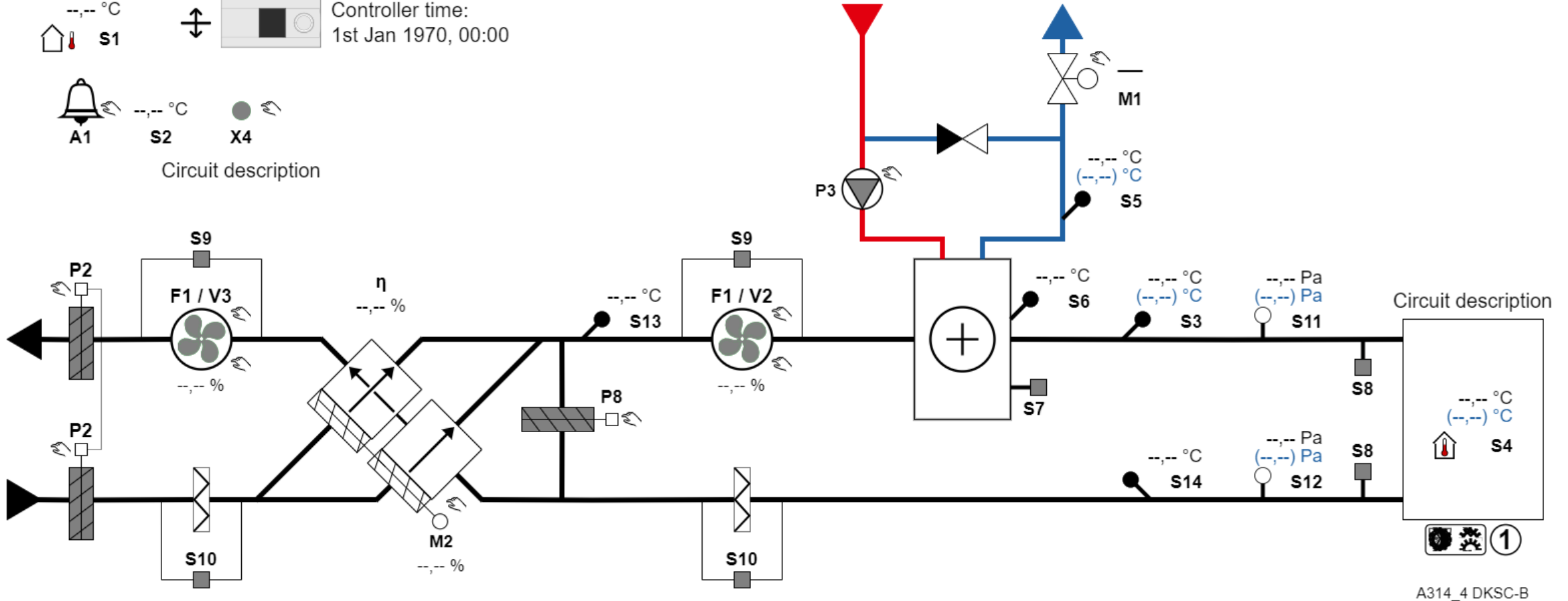
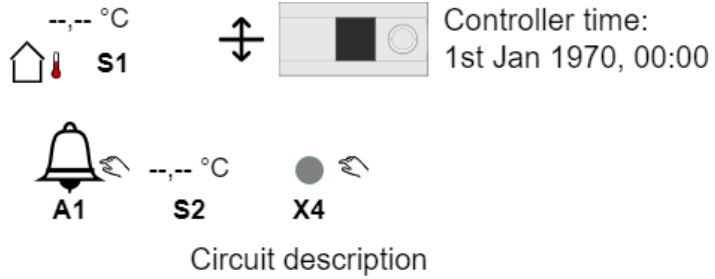
Leanheat® Monitor– A314.4 DKSC-A2



Circuit description

A314_4 DKSC-A2

Leanheat® Monitor – A314.4 DKSC-B

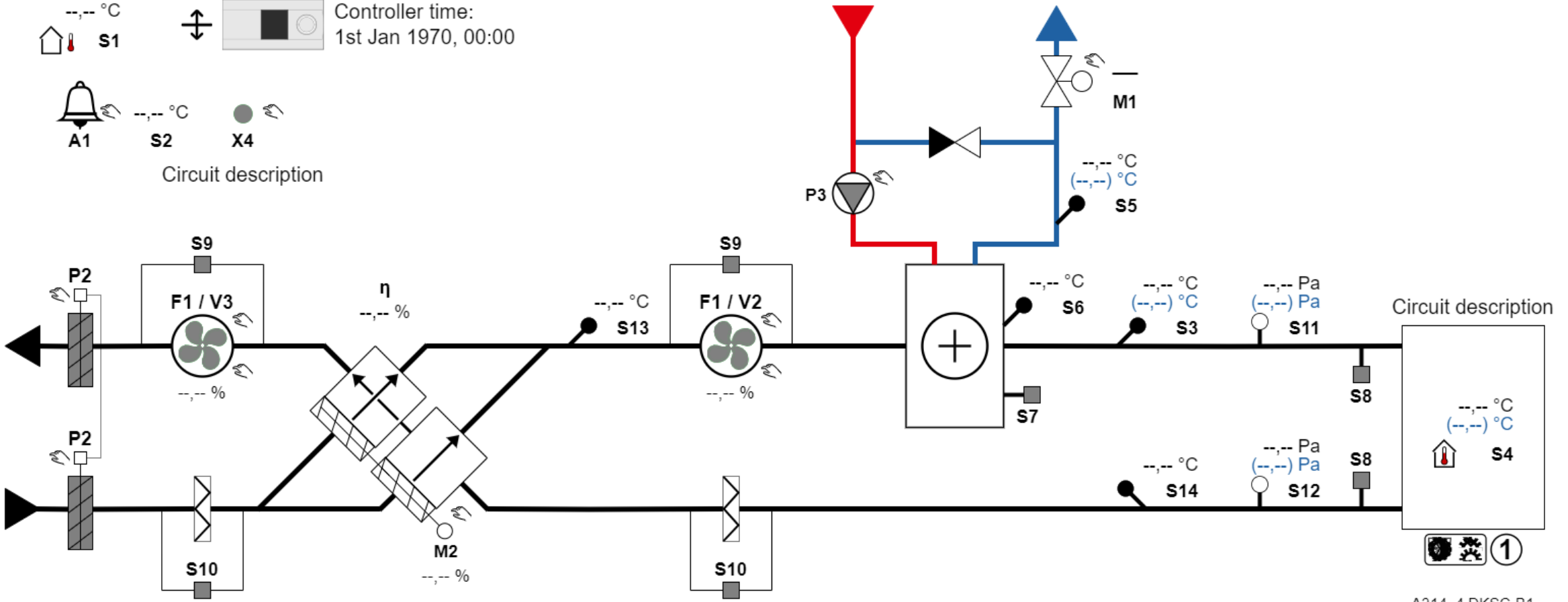


Leanheat® Monitor – A314.4 DKSC-B1

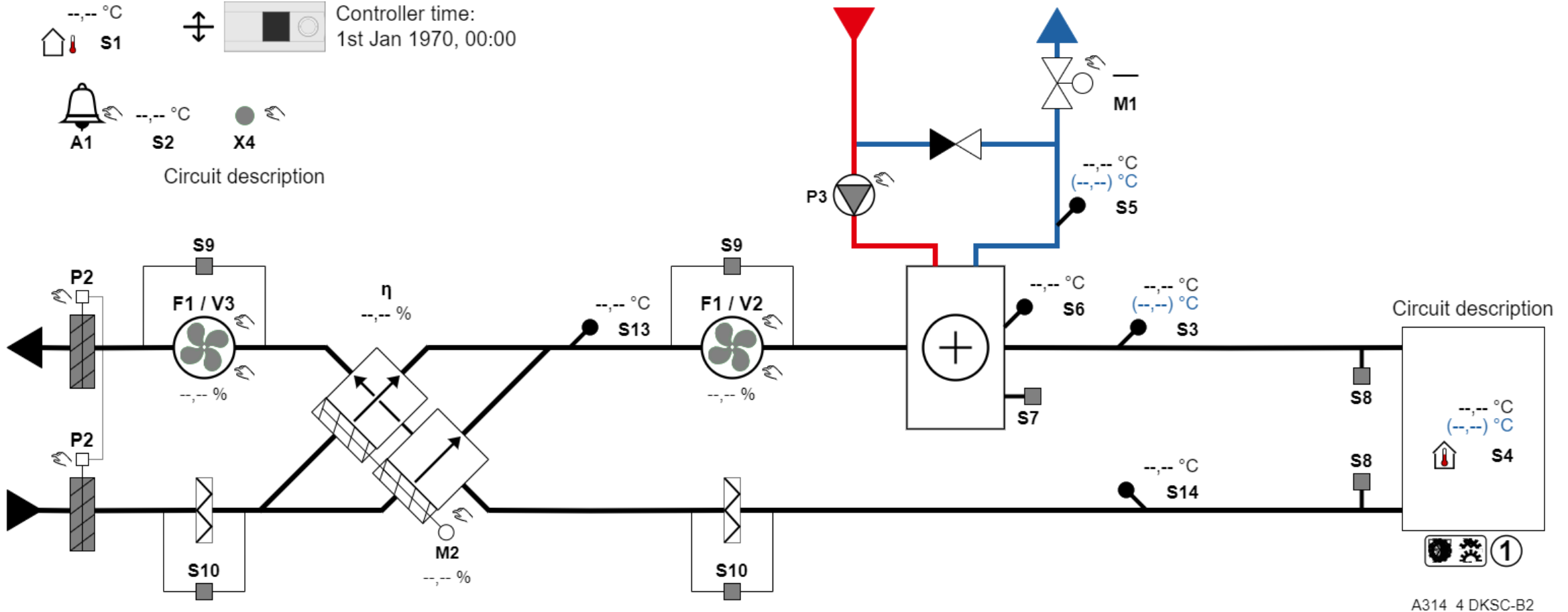
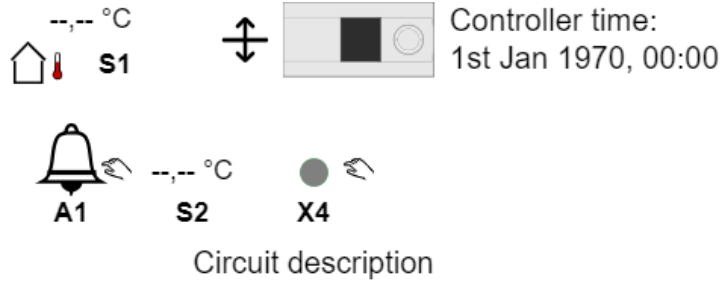


--- °C
 House icon S1
 Controller time:
 1st Jan 1970, 00:00

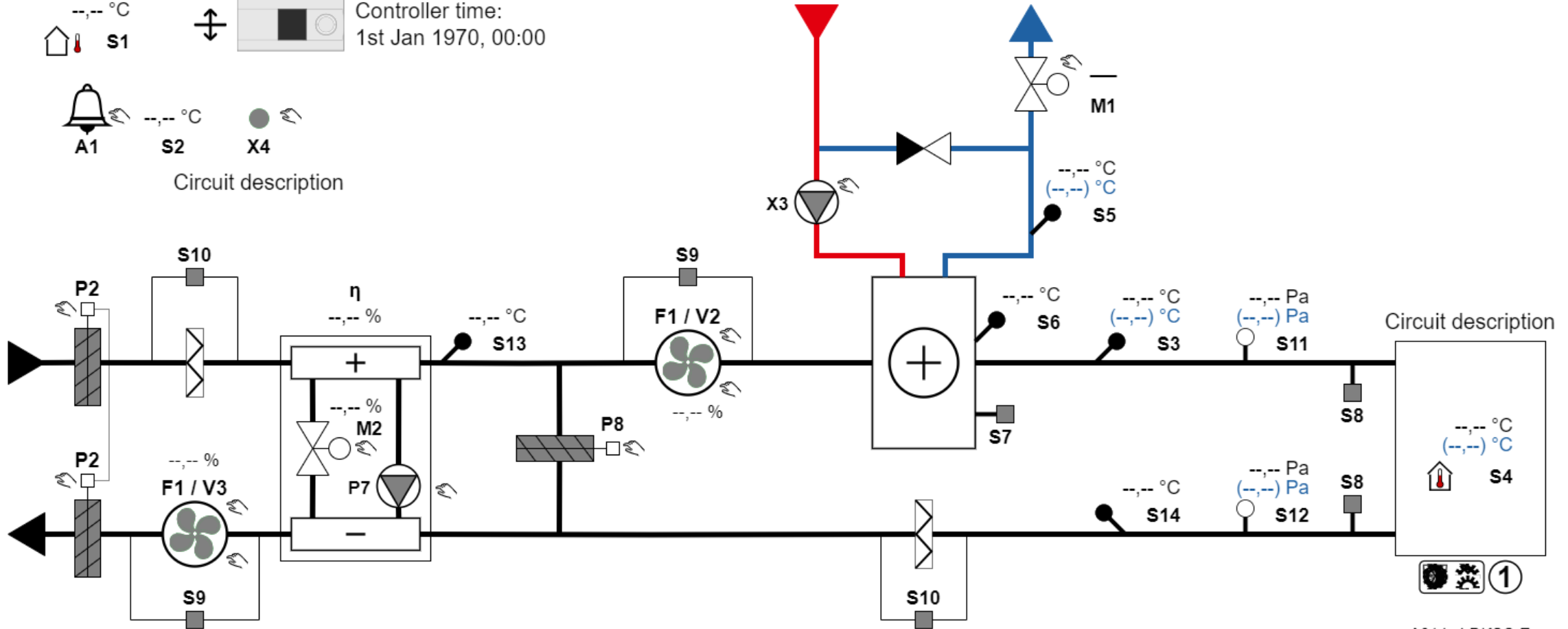
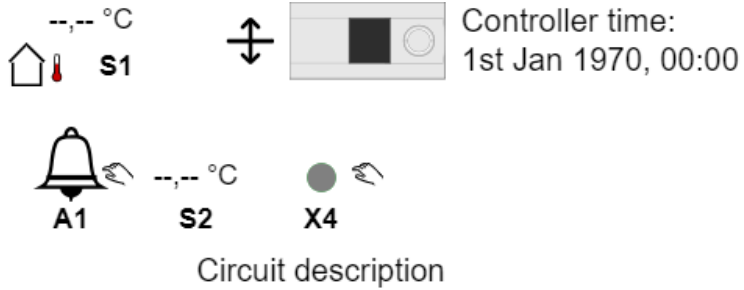
A1 (bell icon)
 S2 (temp icon)
 X4 (dot icon)
 Circuit description



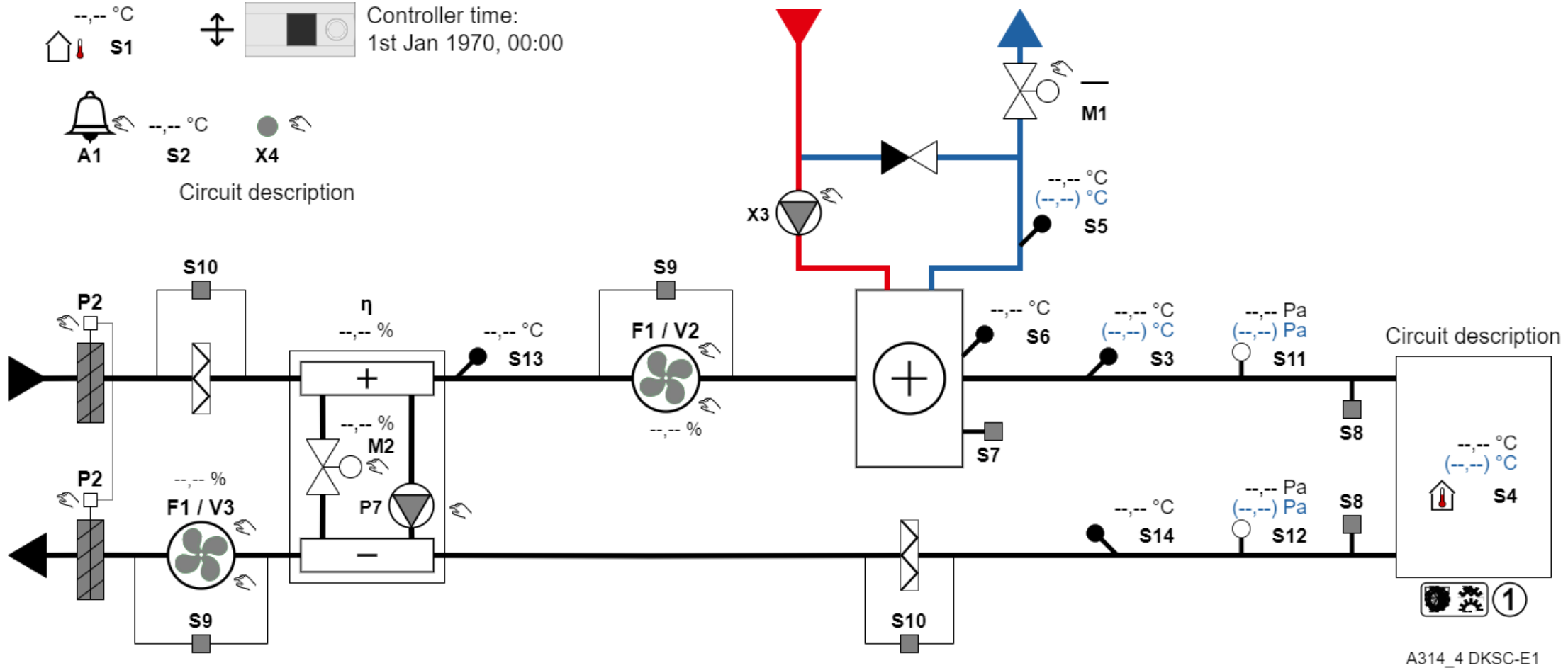
Leanheat® Monitor – A314.4 DKSC-B2



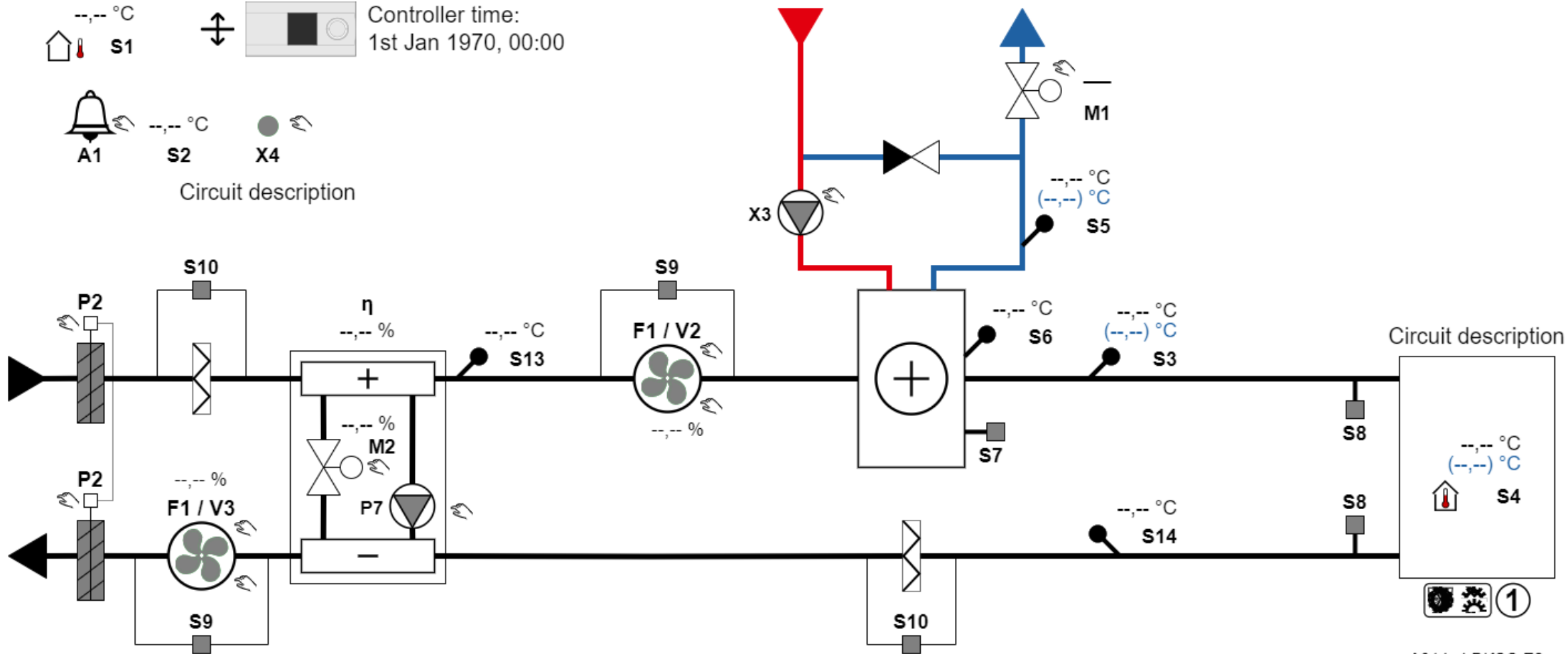
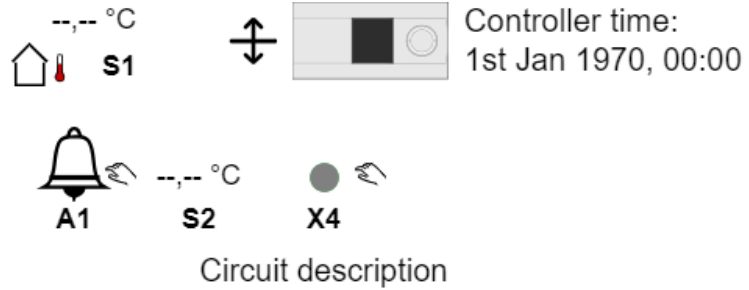
Leanheat® Monitor – A314.4 DKSC-E



Leanheat® Monitor – A314.4 DKSC-E1

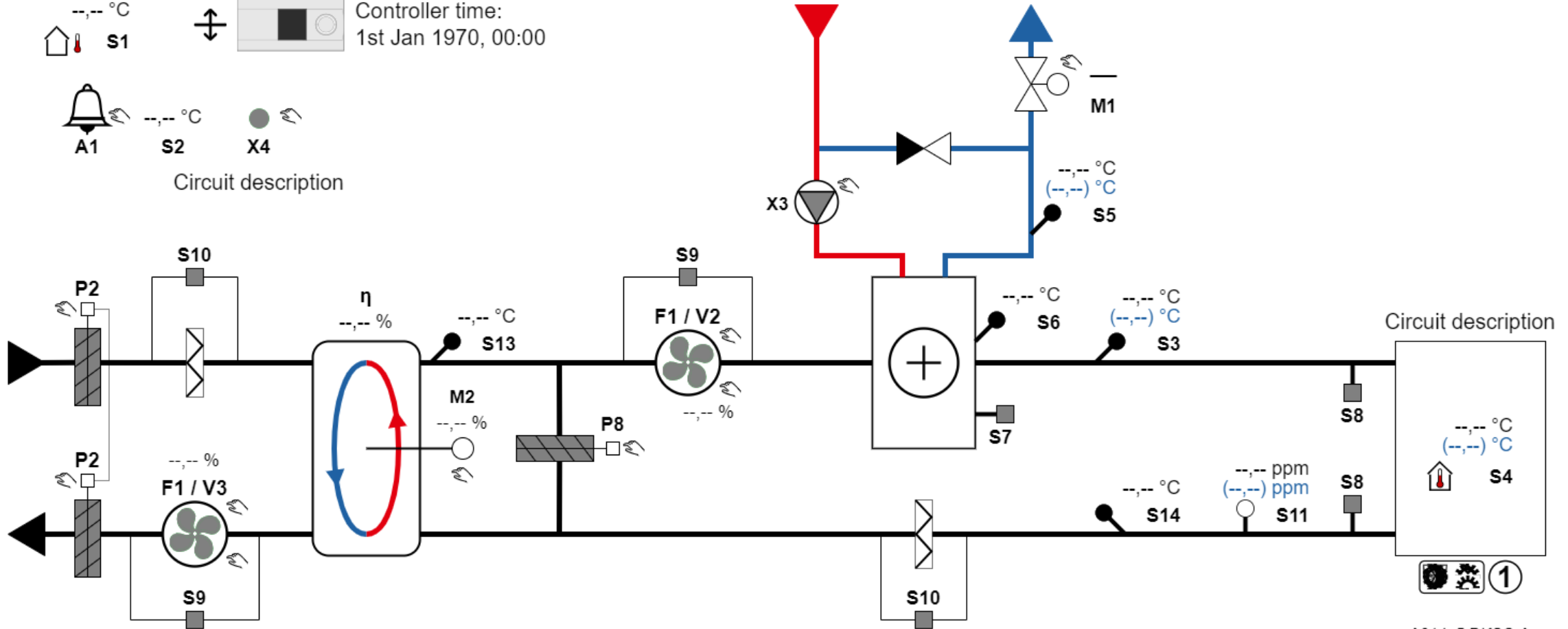
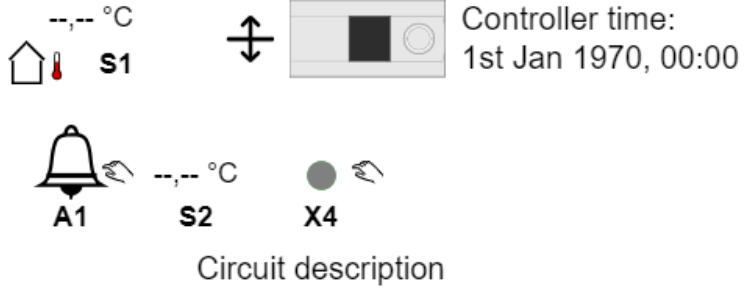


Leanheat® Monitor – A314.4 DKSC-E2



A314_4 DKSC-E2

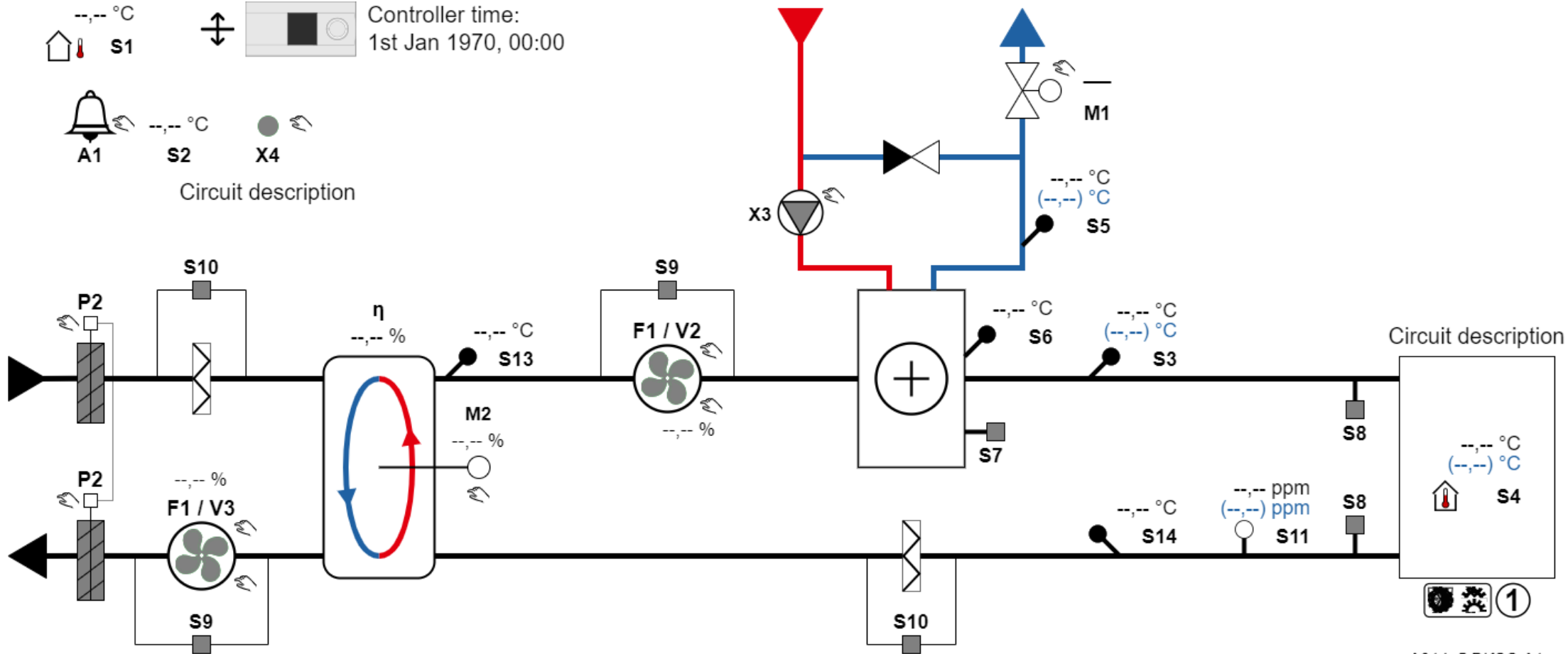
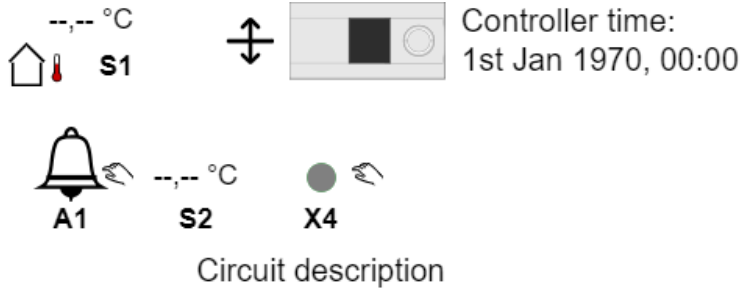
Leanheat® Monitor – A314.5 DKSC-A



Circuit description

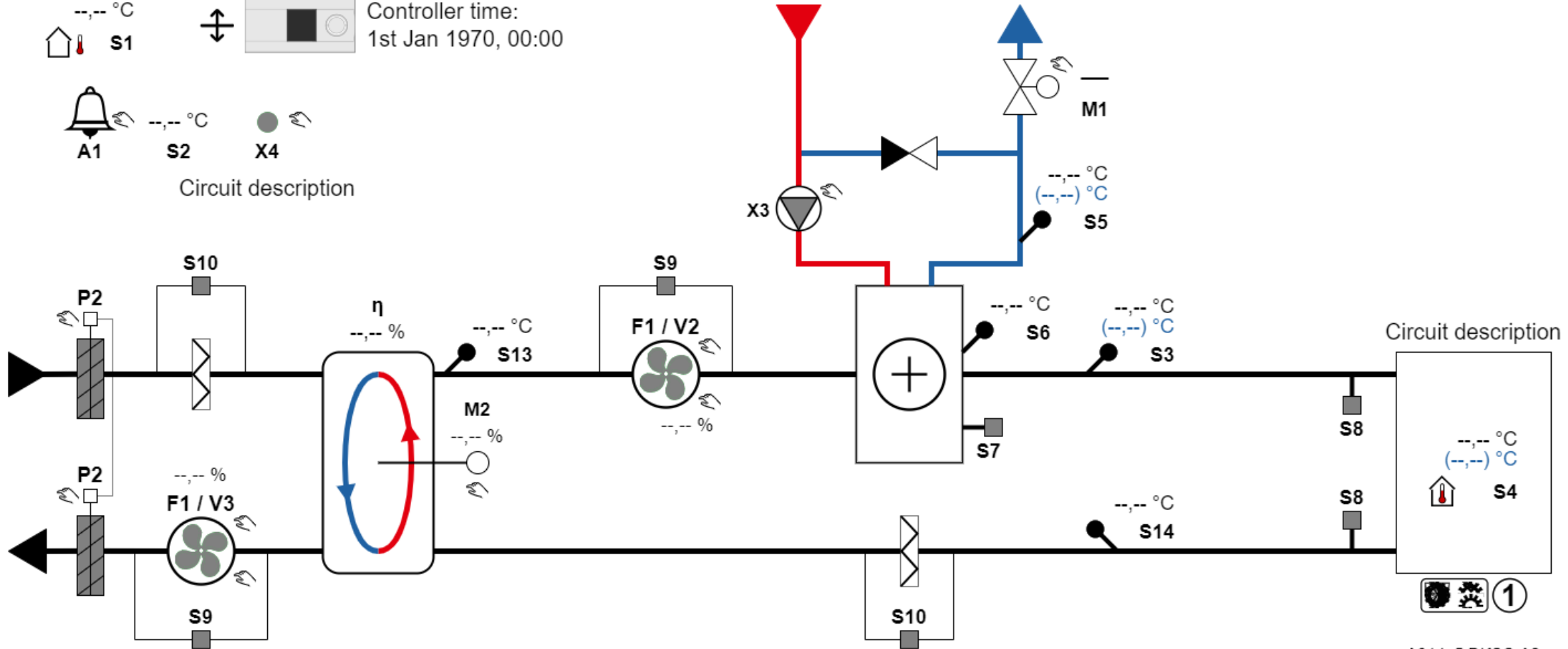
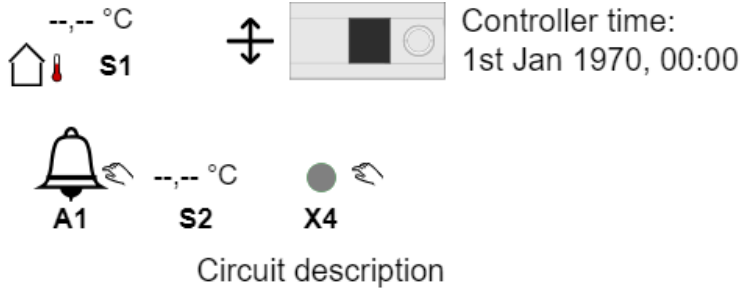
$\text{---} \text{ } ^\circ\text{C}$
 $(\text{---}, \text{---}) \text{ } ^\circ\text{C}$
 S4
 S8
 S8
 S14 $\text{---} \text{ } ^\circ\text{C}$ S11 $\text{---} \text{ ppm}$ $(\text{---}, \text{---}) \text{ ppm}$
 1
 A314_5 DKSC-A

Leanheat® Monitor – A314.5 DKSC-A1



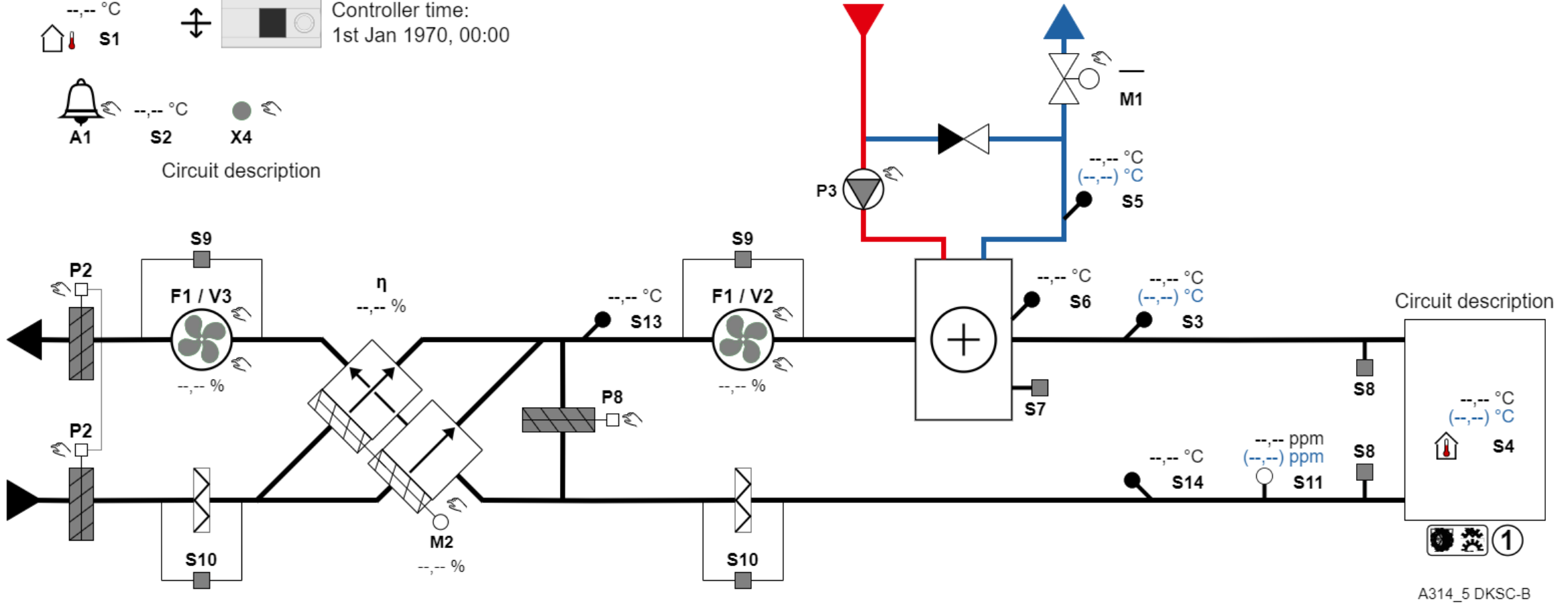
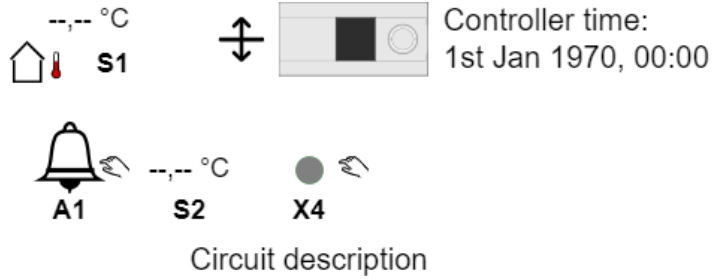
A314_5 DKSC-A1

Leanheat® Monitor – A314.5 DKSC-A2

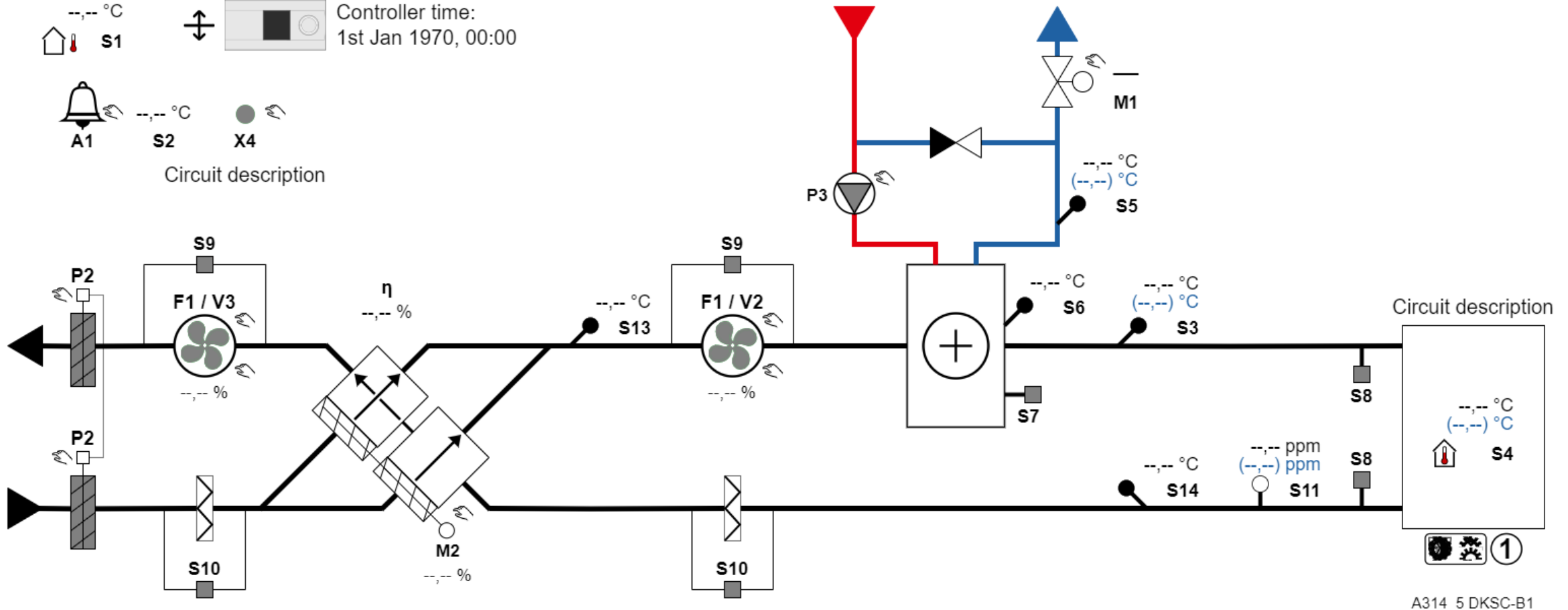
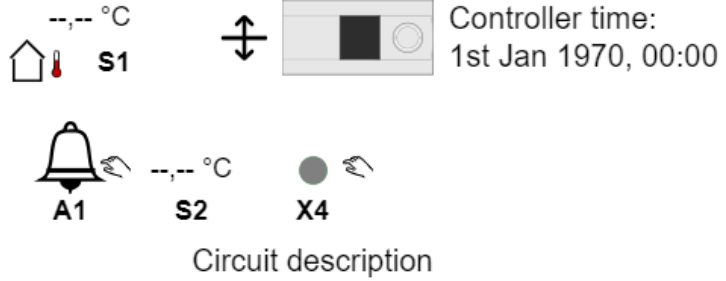


A314_5 DKSC-A2

Leanheat® Monitor – A314.5 DKSC-B



Leanheat® Monitor – A314.5 DKSC-B1

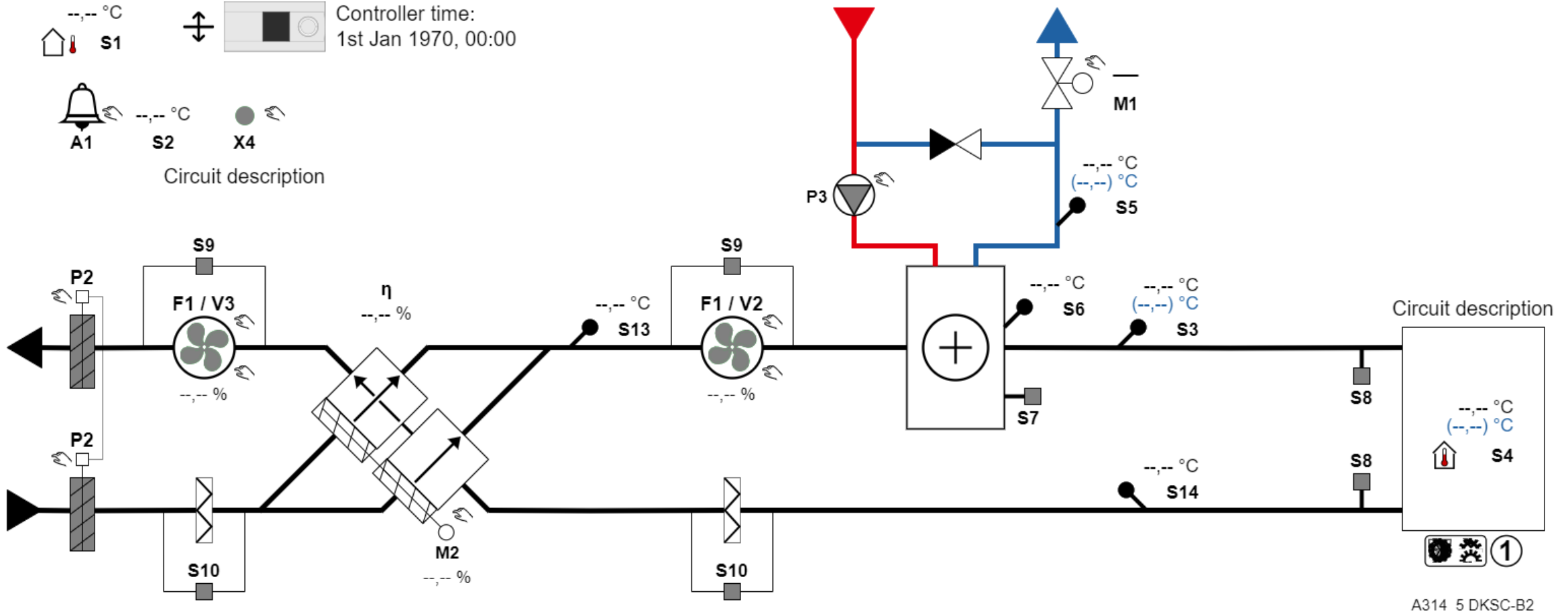


Leanheat® Monitor – A314.5 DKSC-B2

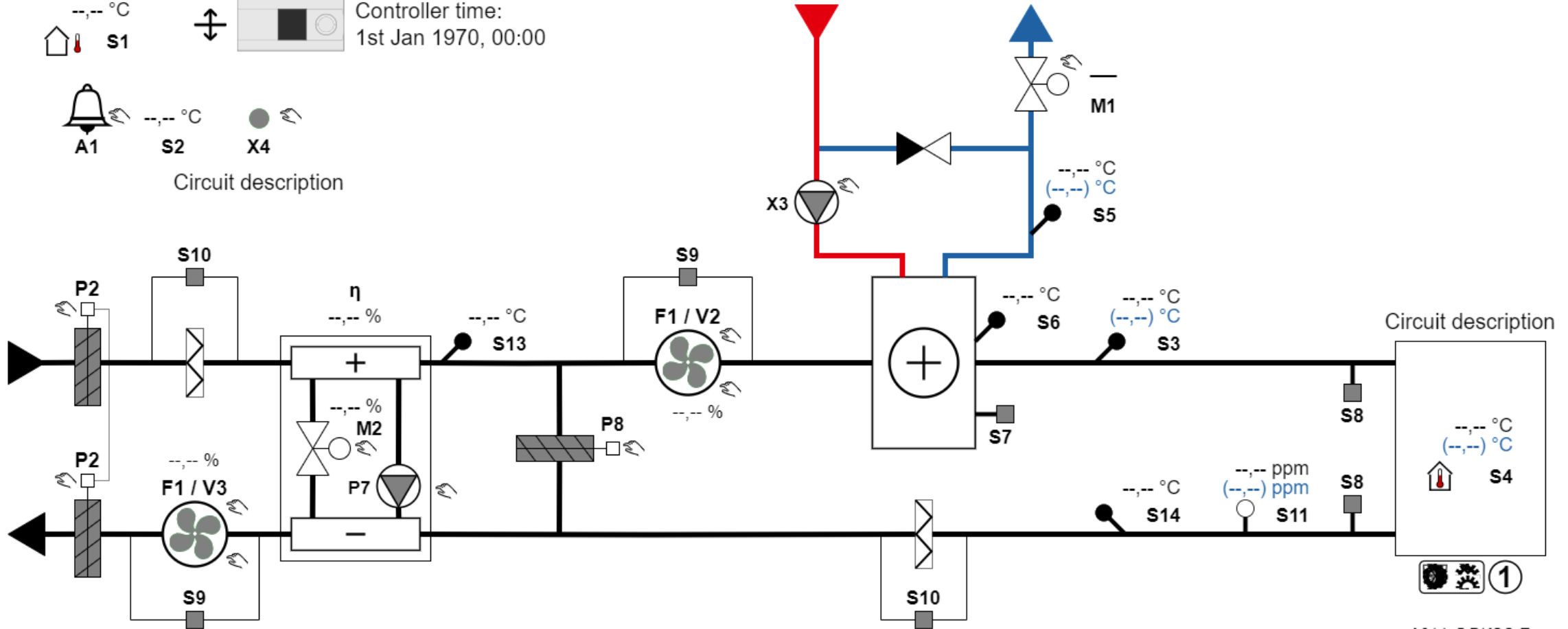
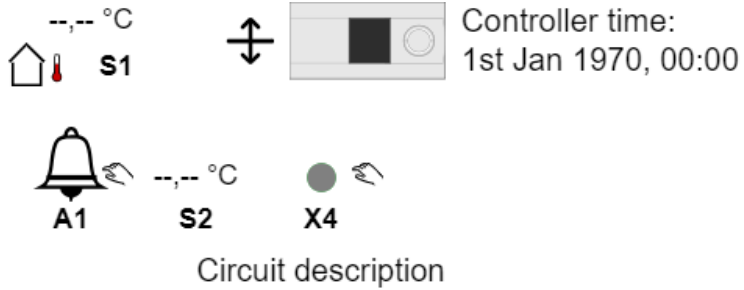


--- °C
S1
Controller time:
1st Jan 1970, 00:00

A1 S2 X4
Circuit description



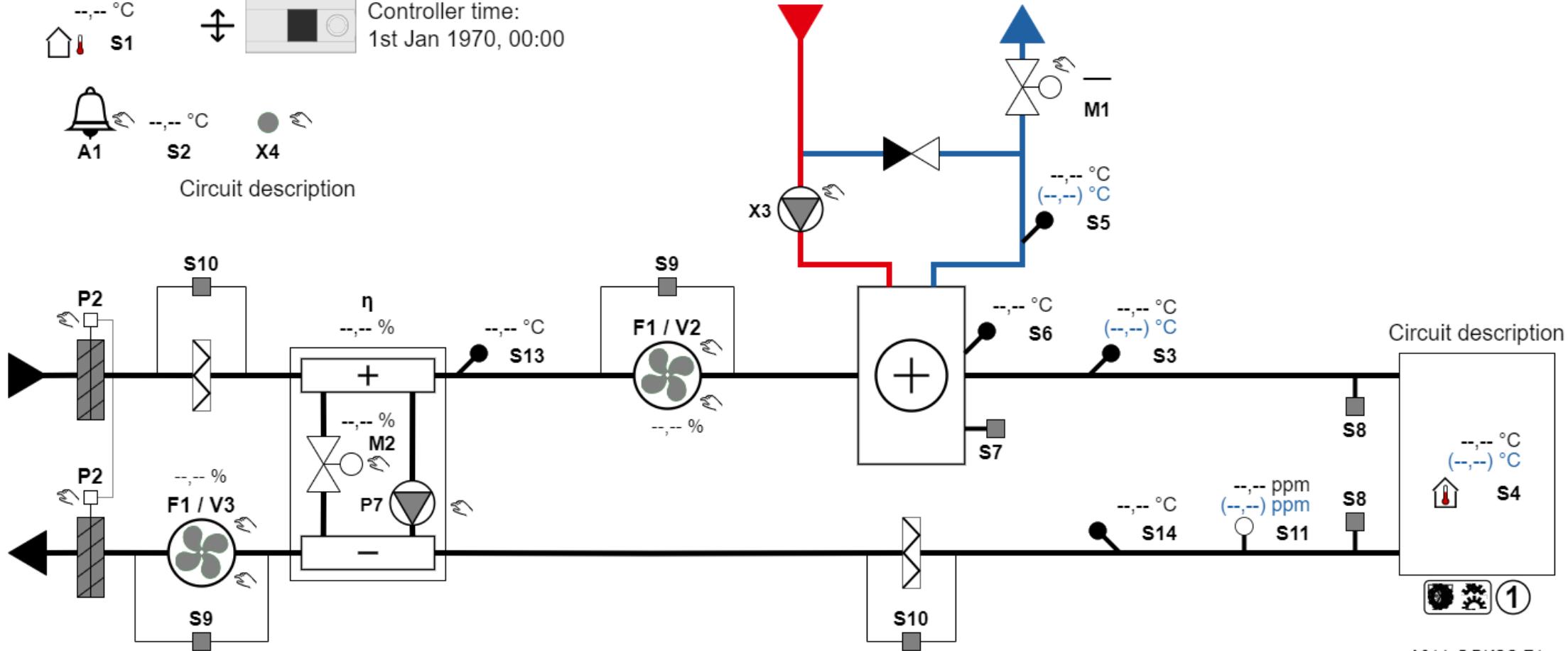
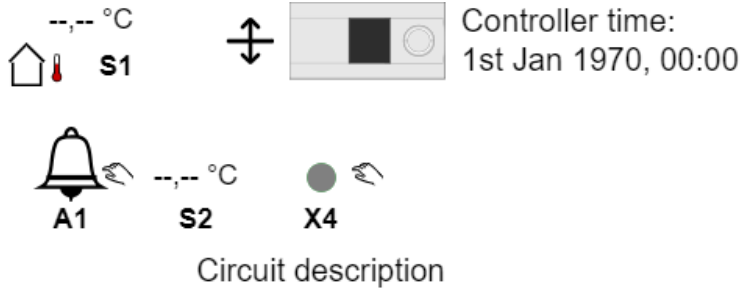
Leanheat® Monitor – A314.5 DKSC-E



Circuit description

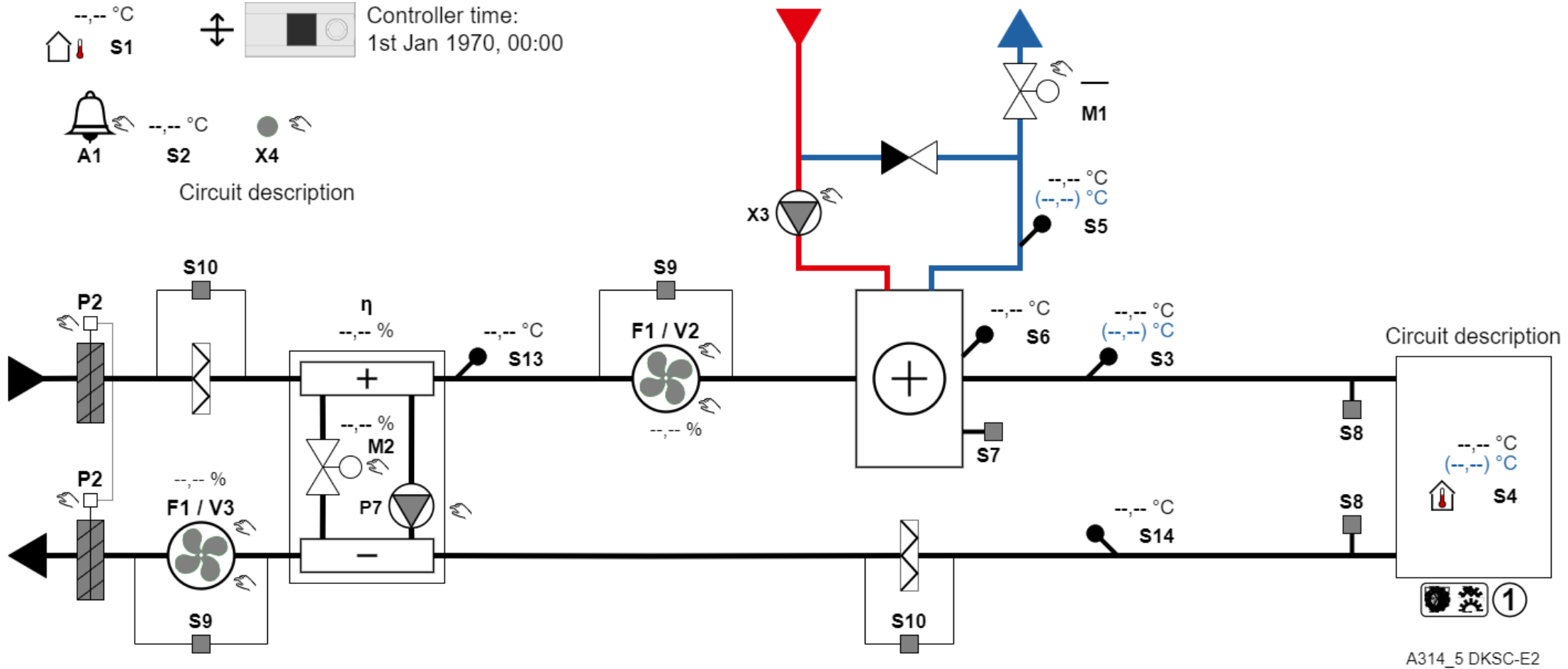
$\text{---}^{\circ}\text{C}$
 $(\text{---}, \text{---})^{\circ}\text{C}$
 S4
 1
 A314_5 DKSC-E

Leanheat® Monitor – A314.5 E1

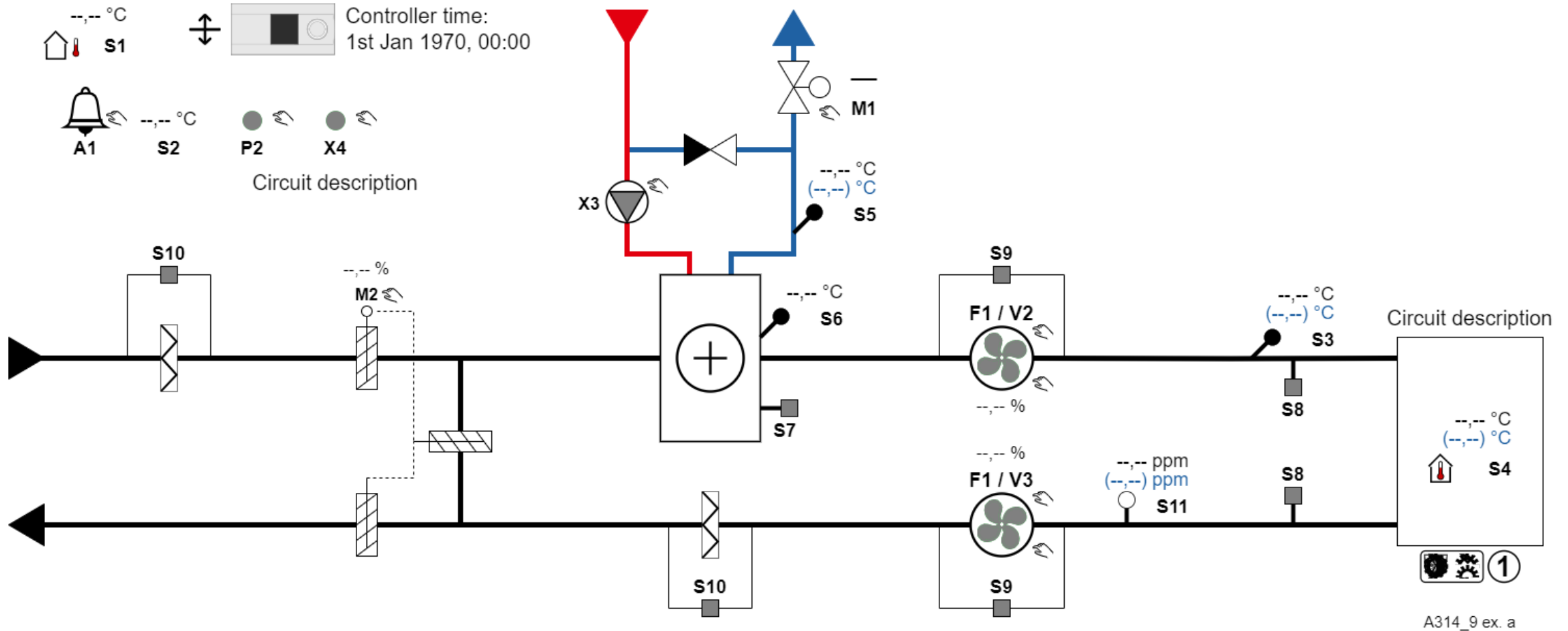


A314_5 DKSC-E1

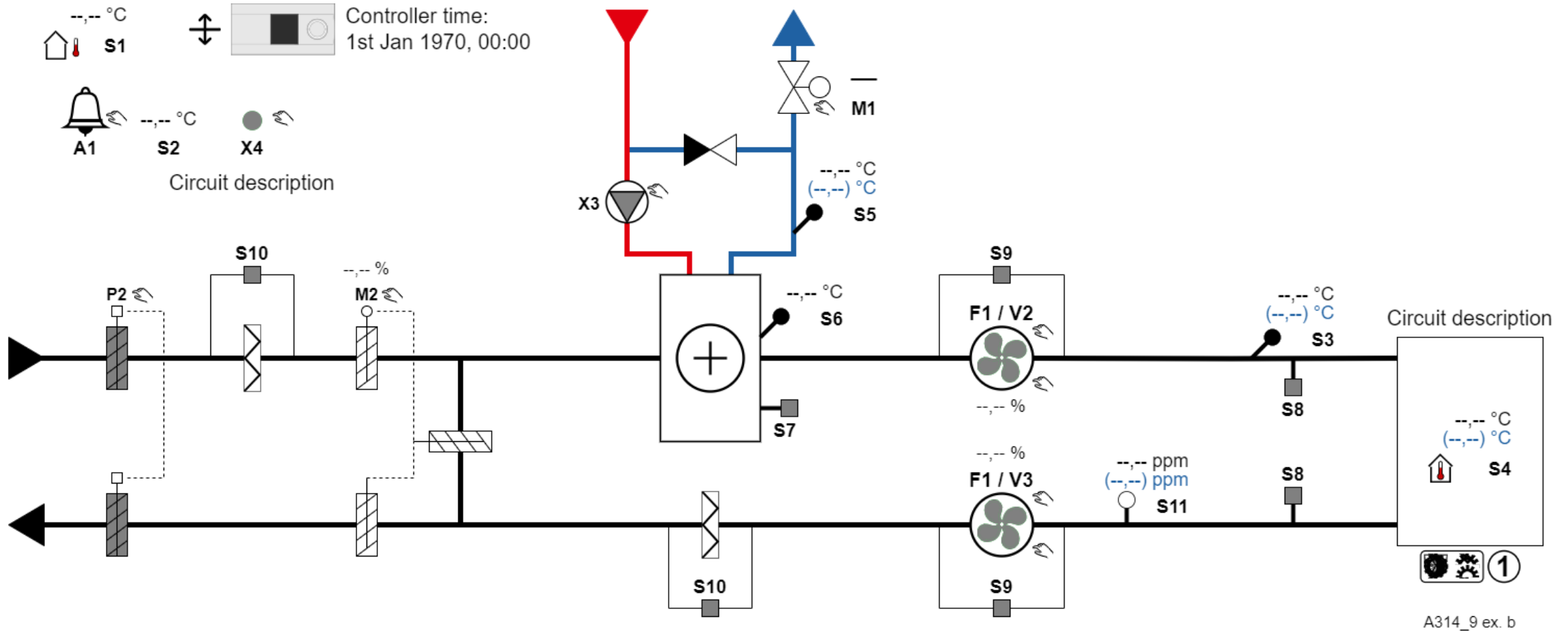
Leanheat® Monitor – A314.5 DKSC-E2



Leanheat® Monitor – A314.9 ex. a



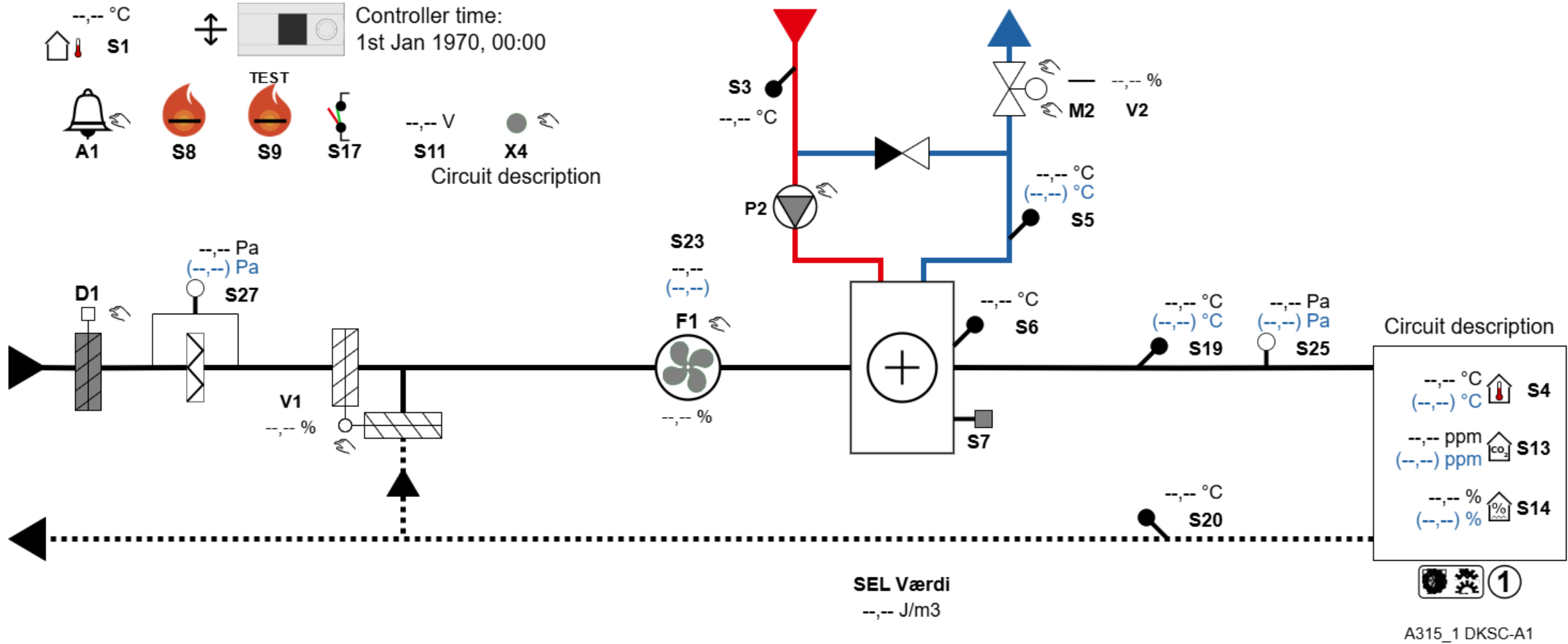
Leanheat® Monitor – A314.9 ex. b



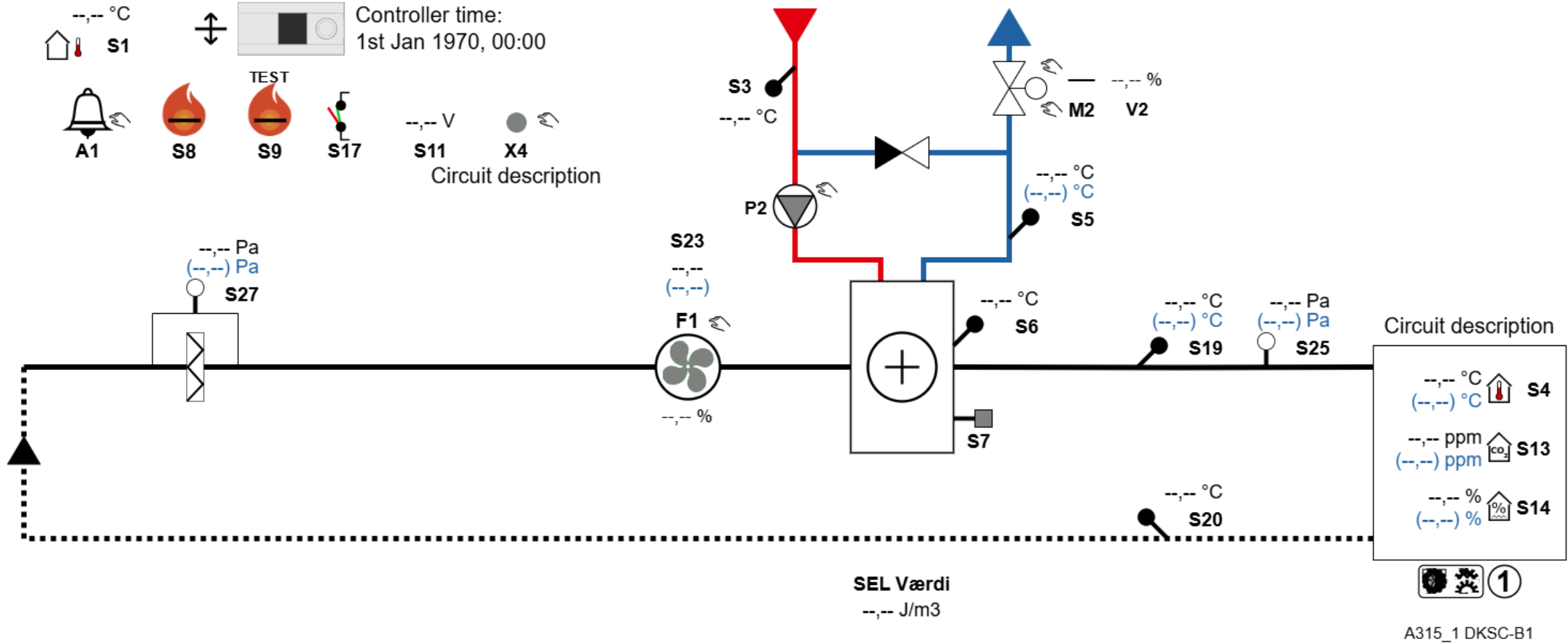
A315



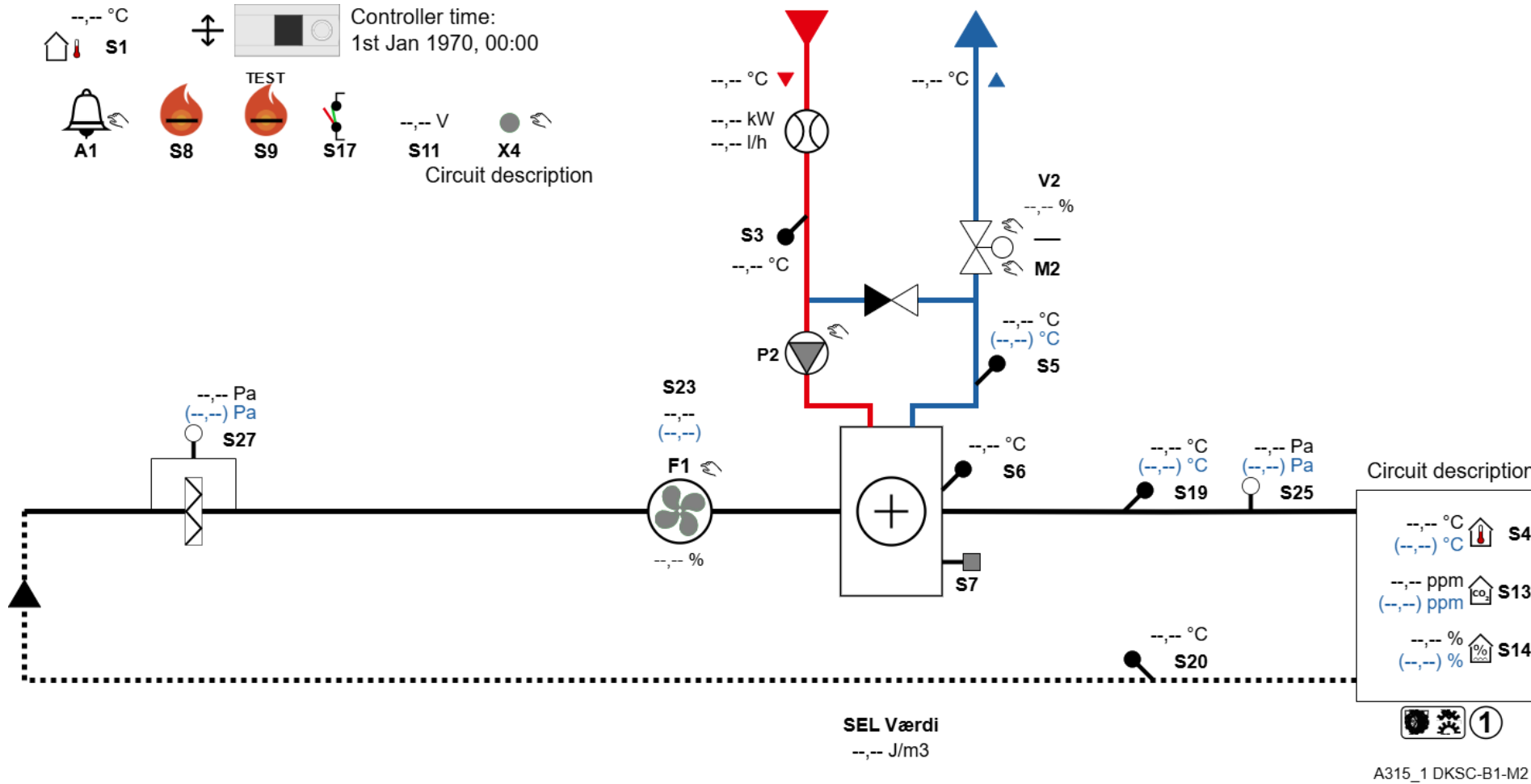
Leanheat® Monitor – A315.1 DKSC-A1



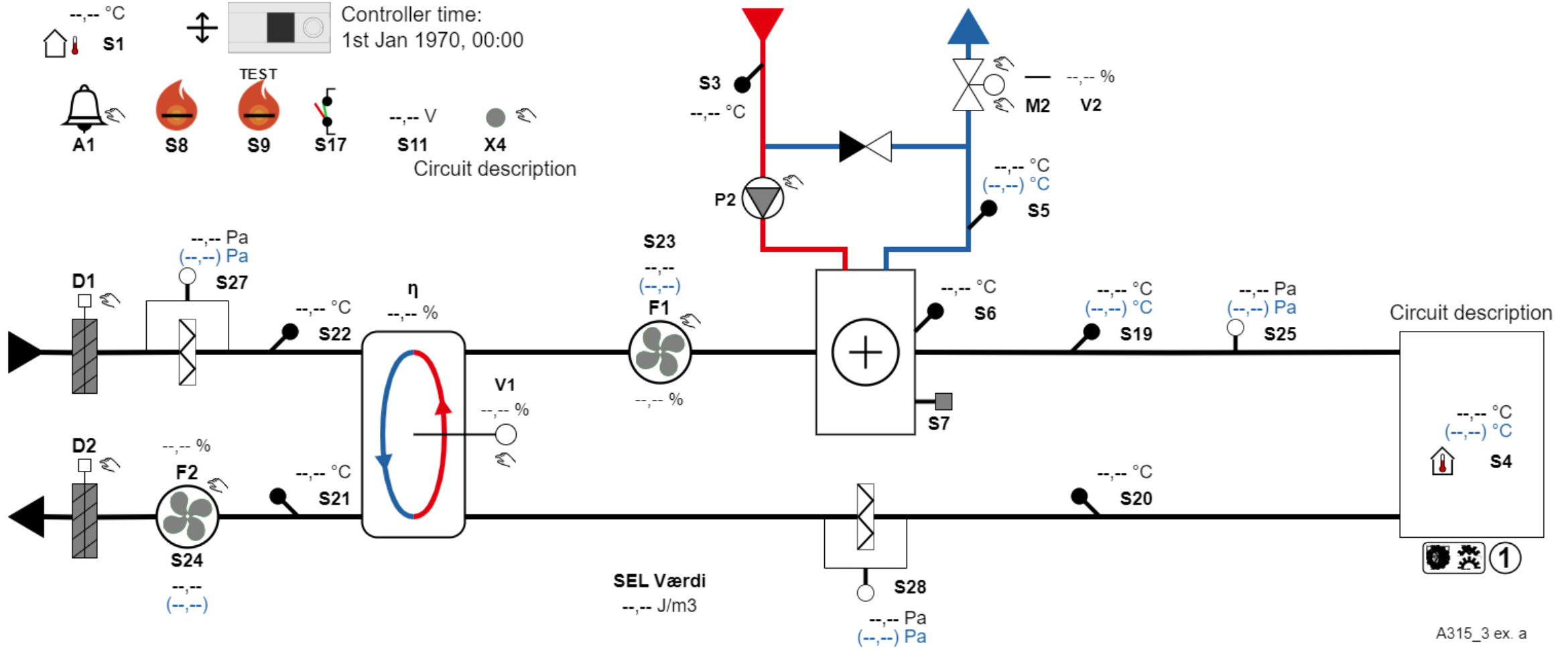
Leanheat® Monitor – A315.1 DKSC-B1



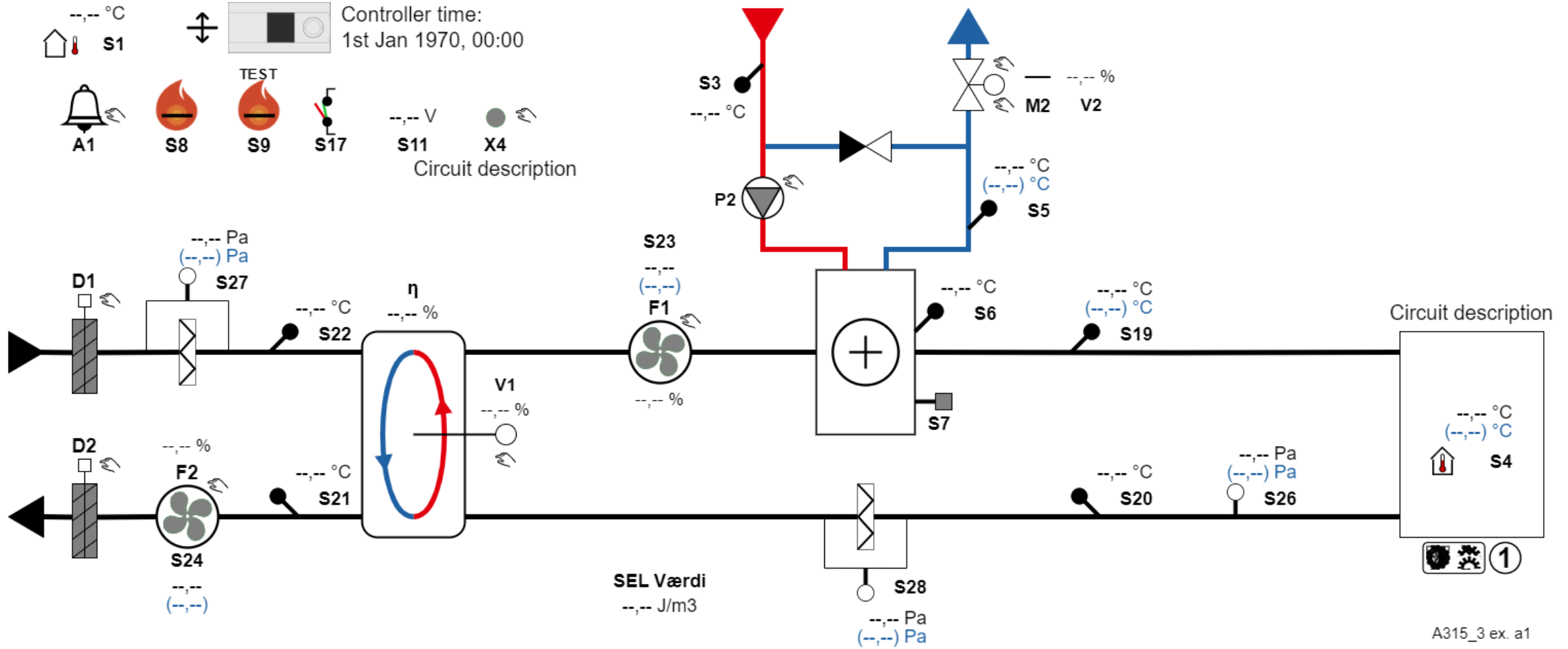
Leanheat® Monitor – A315.1 DKSC-B1-M2



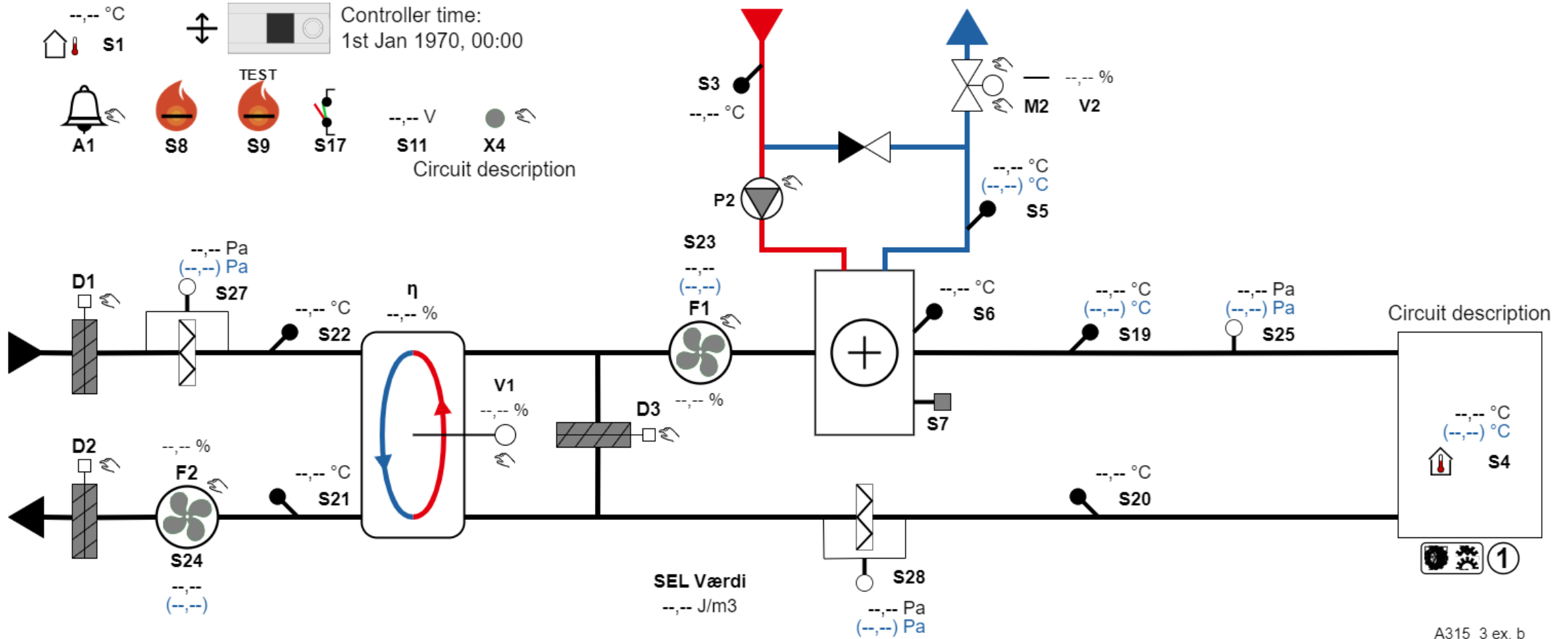
Leanheat® Monitor – A315.3 ex. a



Leanheat® Monitor – A315.3 ex. a1

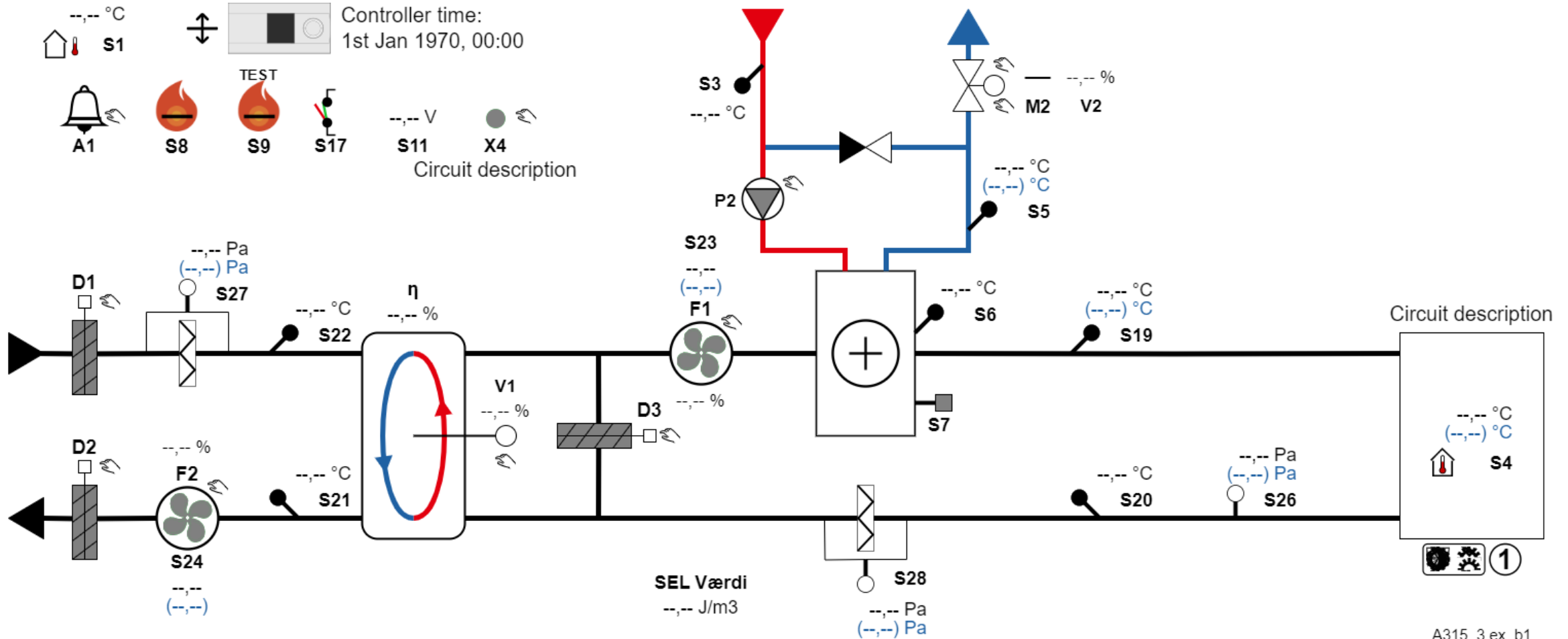


Leanheat® Monitor– A315.3 ex. b

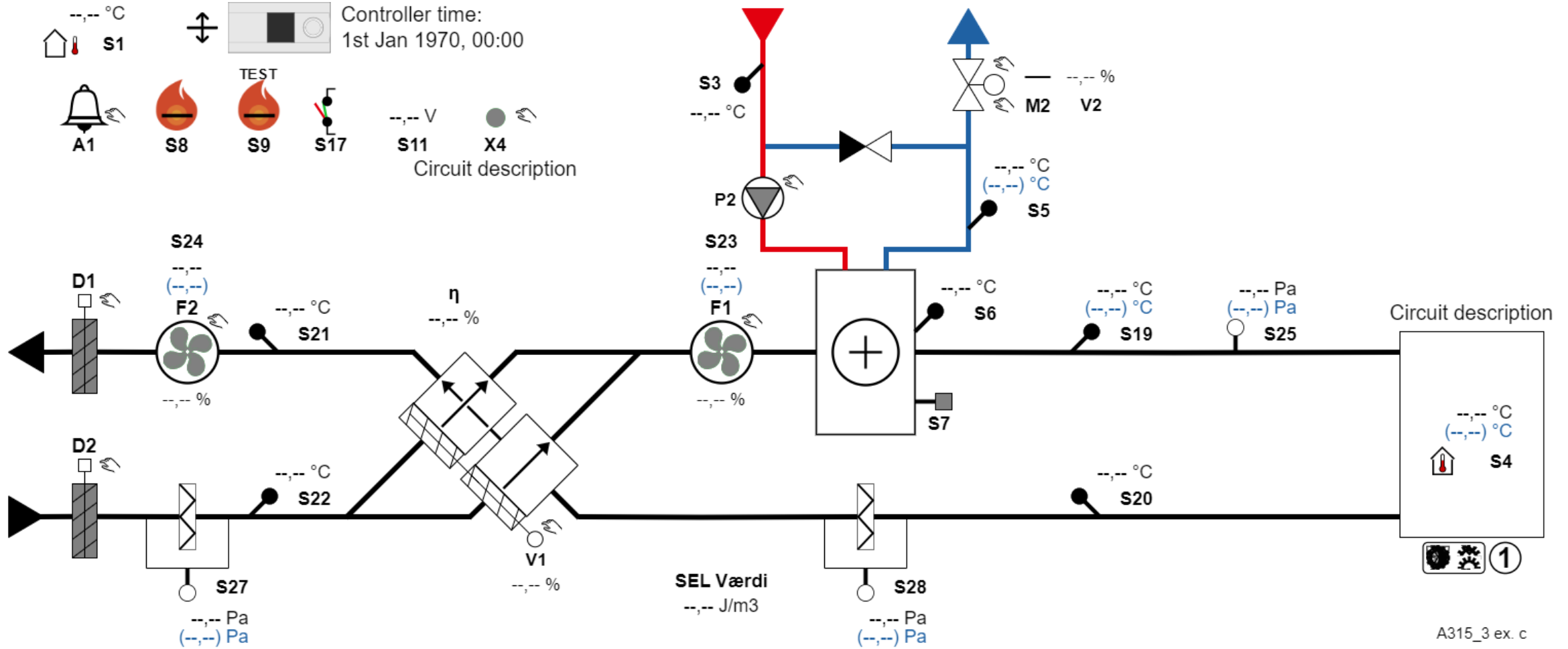


A315 3 ex. b

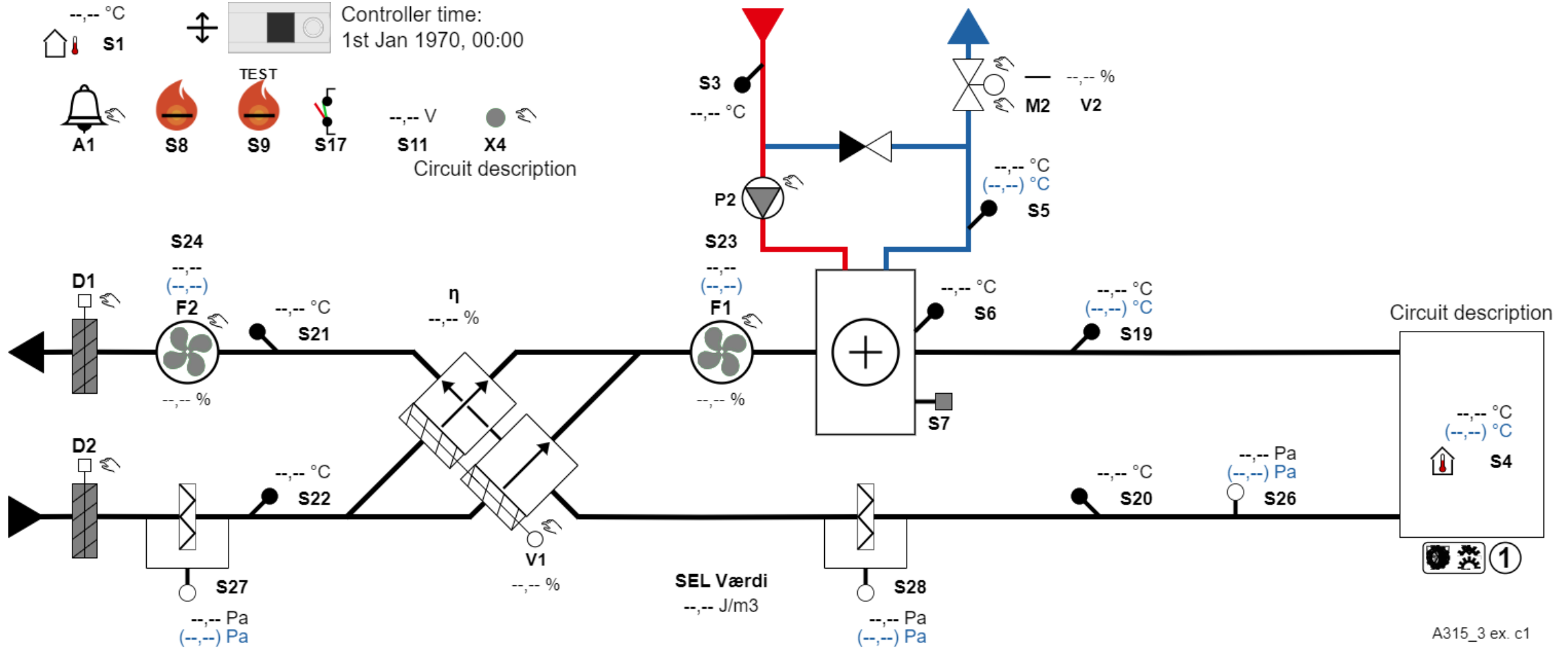
Leanheat® Monitor – A315.3 ex. b1



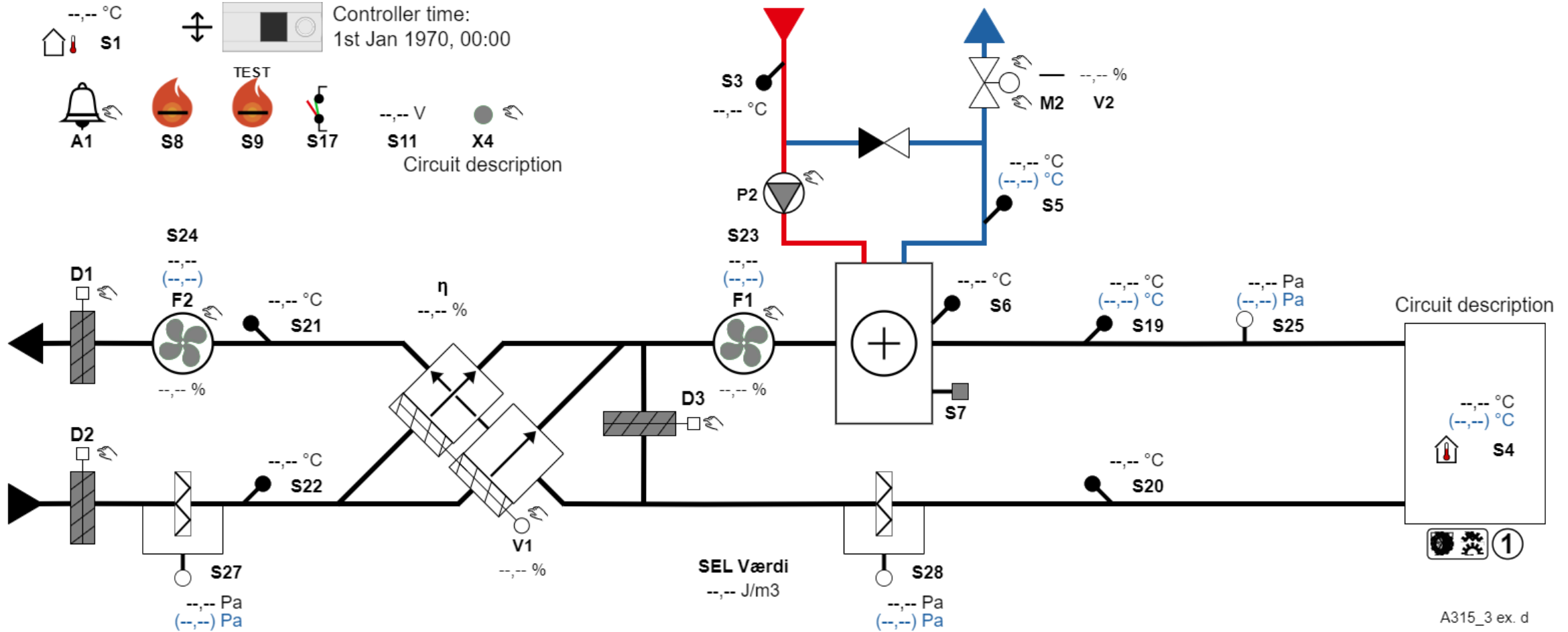
Leanheat® Monitor – A315.3 ex. c



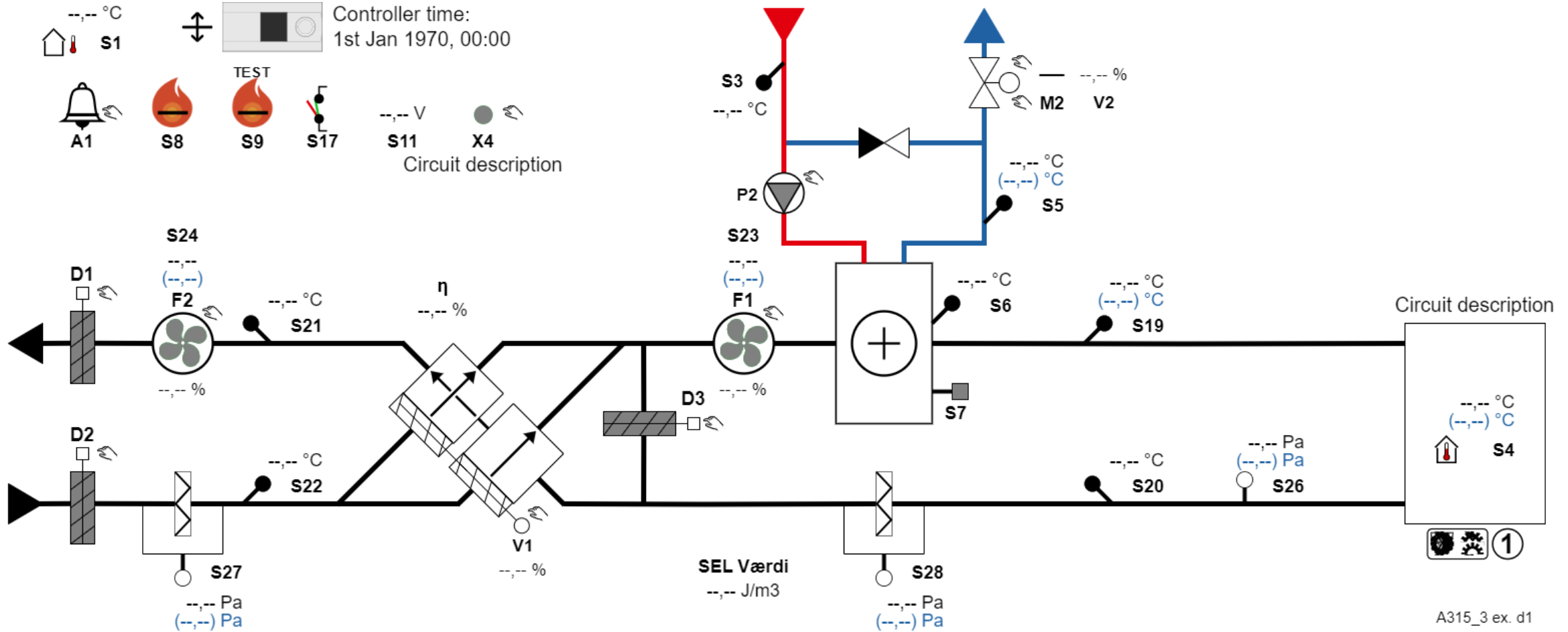
Leanheat® Monitor – A315.3 ex. c1



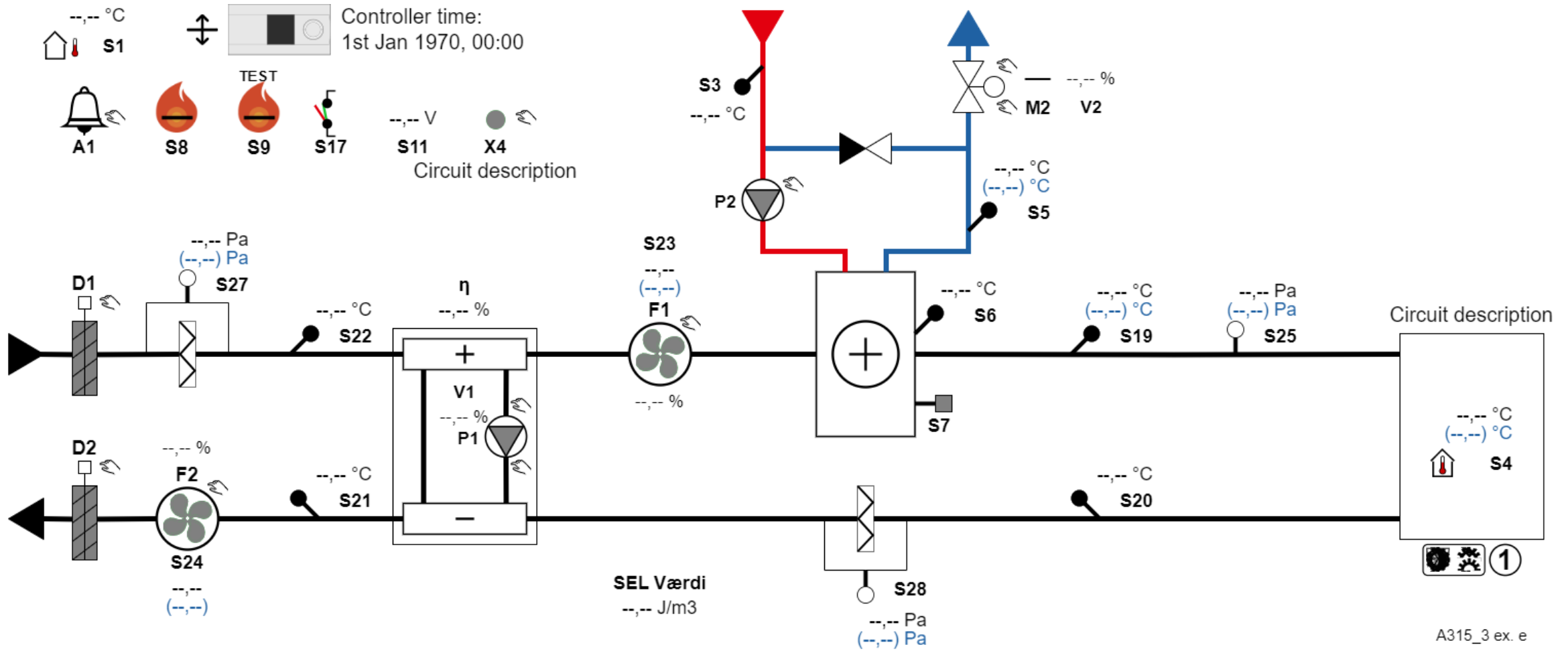
Leanheat® Monitor – A315.3 ex. d



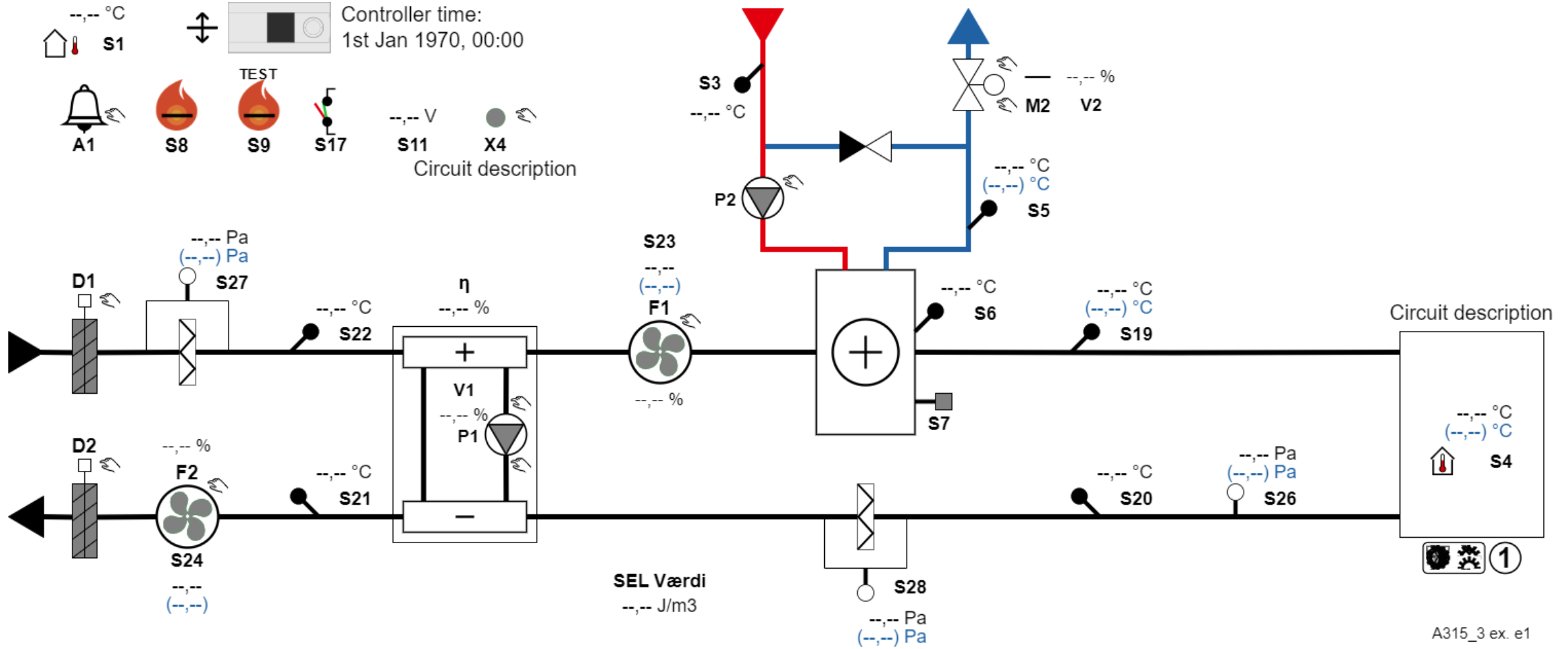
Leanheat® Monitor – A315.3 ex. d1



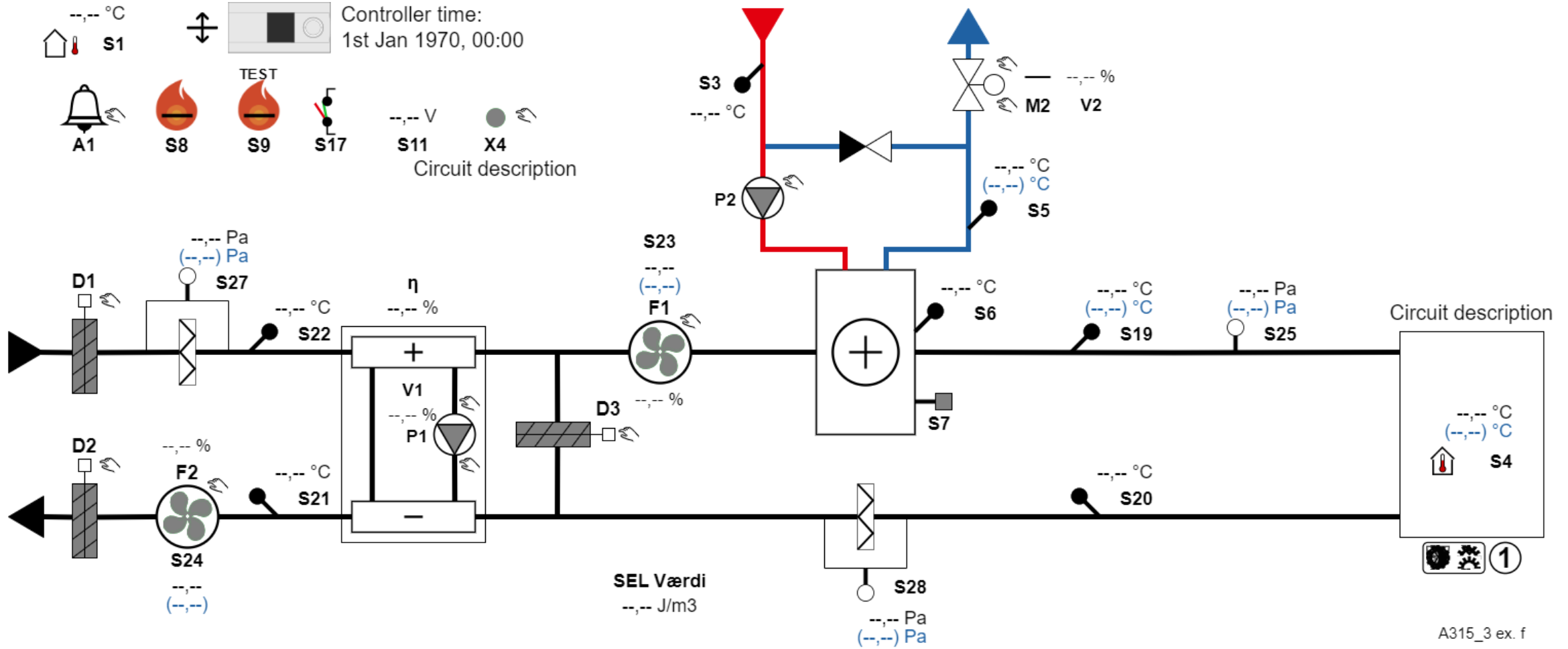
Leanheat® Monitor – A315.3 ex. e



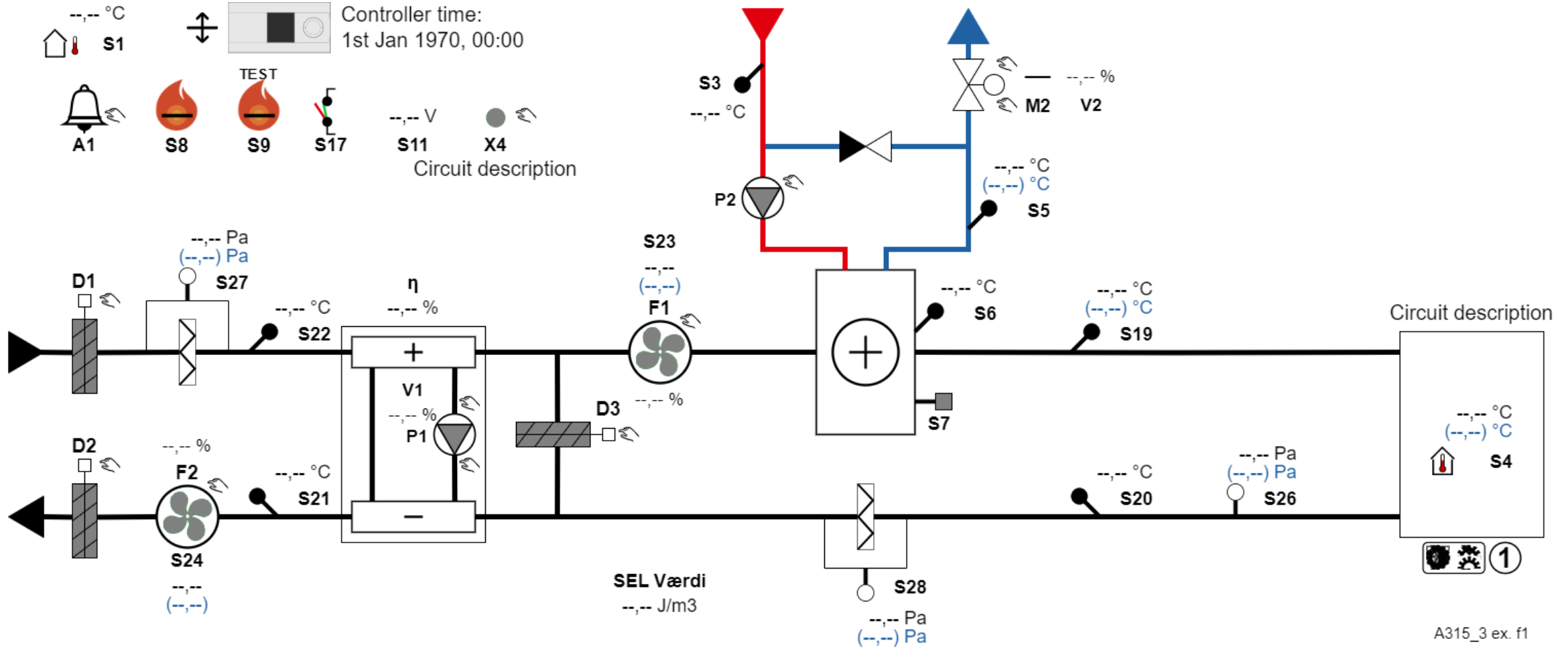
Leanheat® Monitor – A315.3 ex. e1



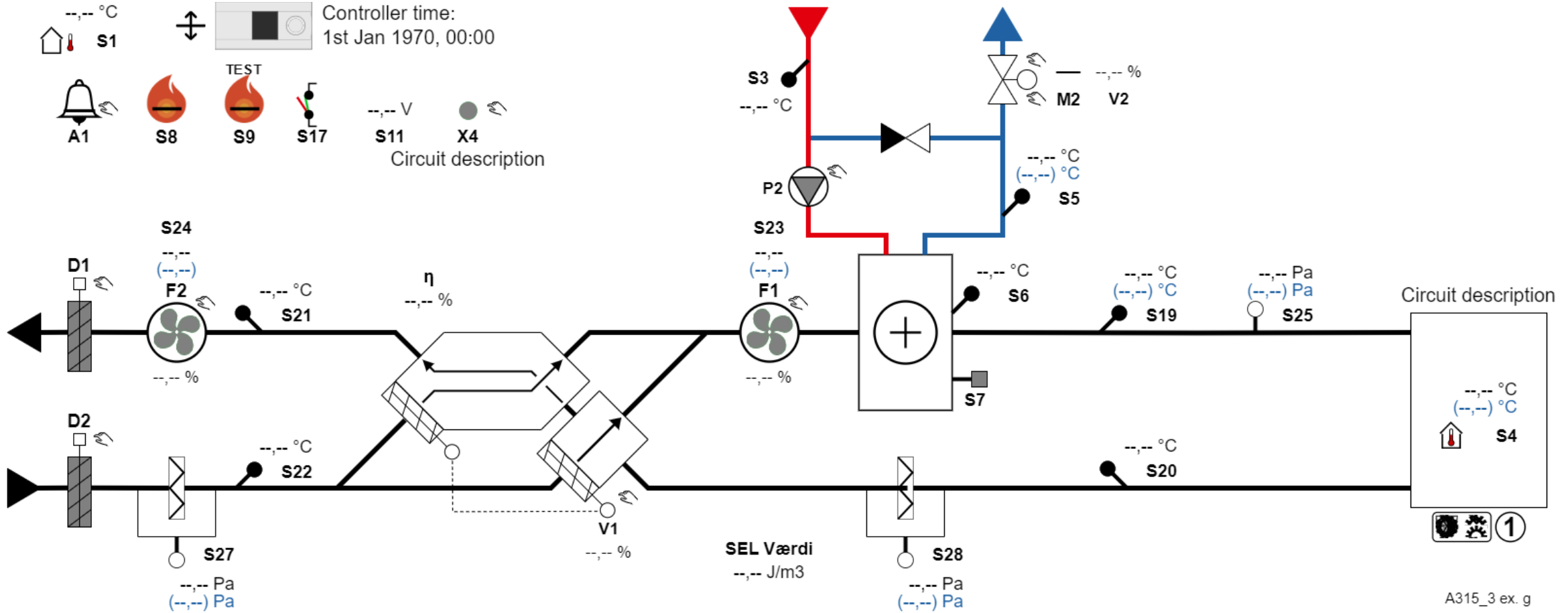
Leanheat® Monitor – A315.3 ex. f



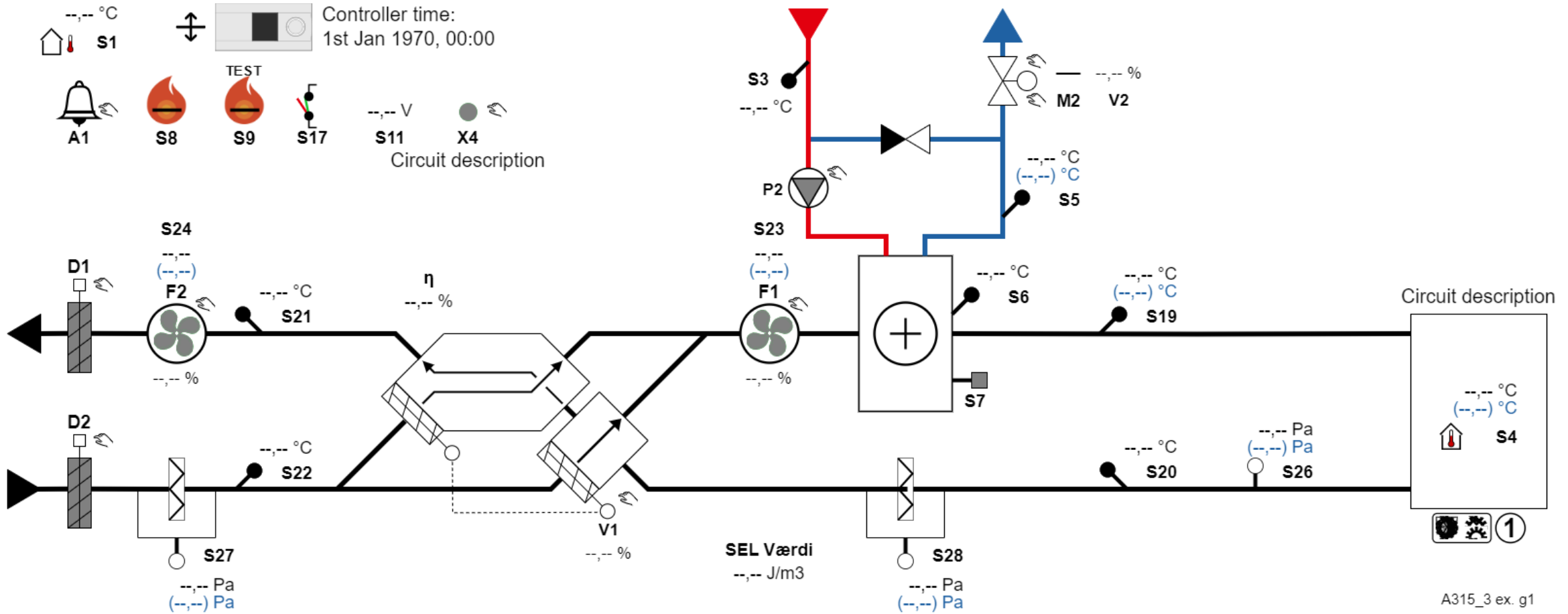
Leanheat® Monitor – A315.3 ex. f1



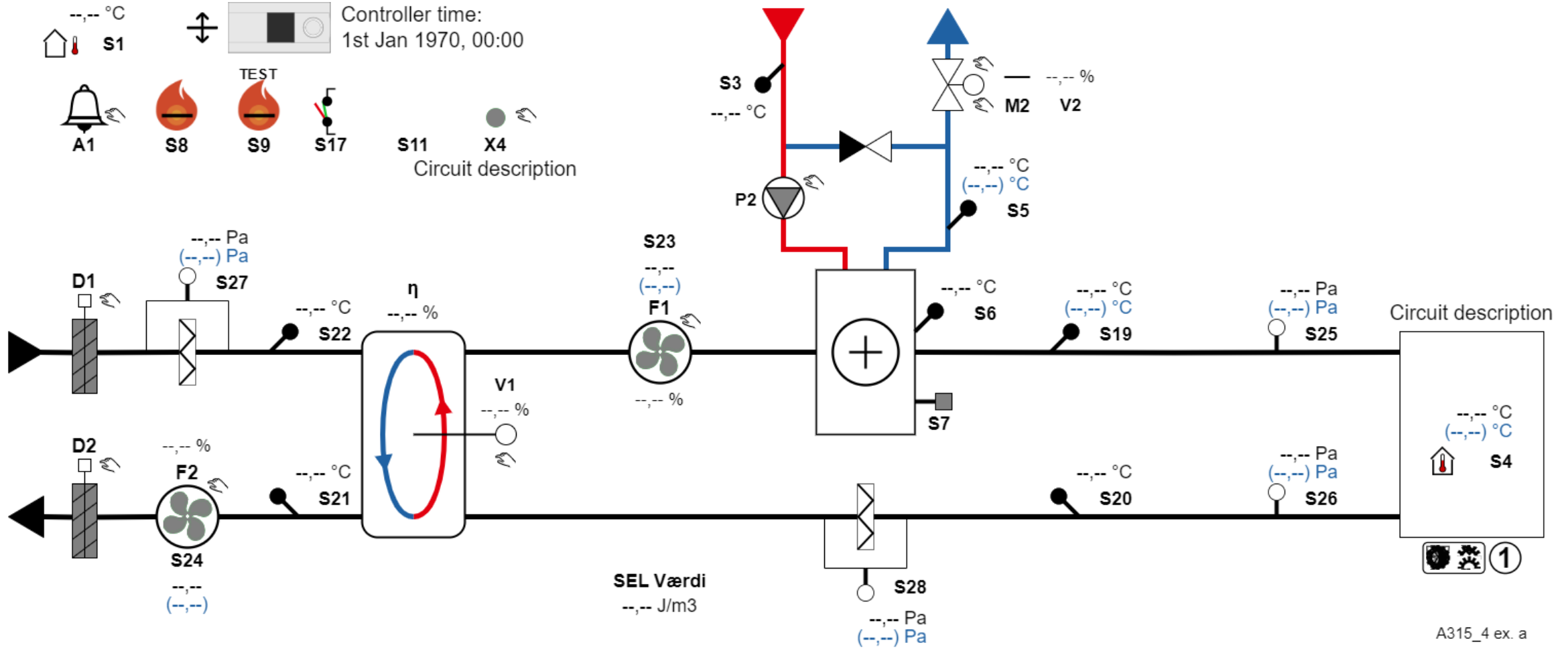
Leanheat® Monitor – A315.3 ex. g



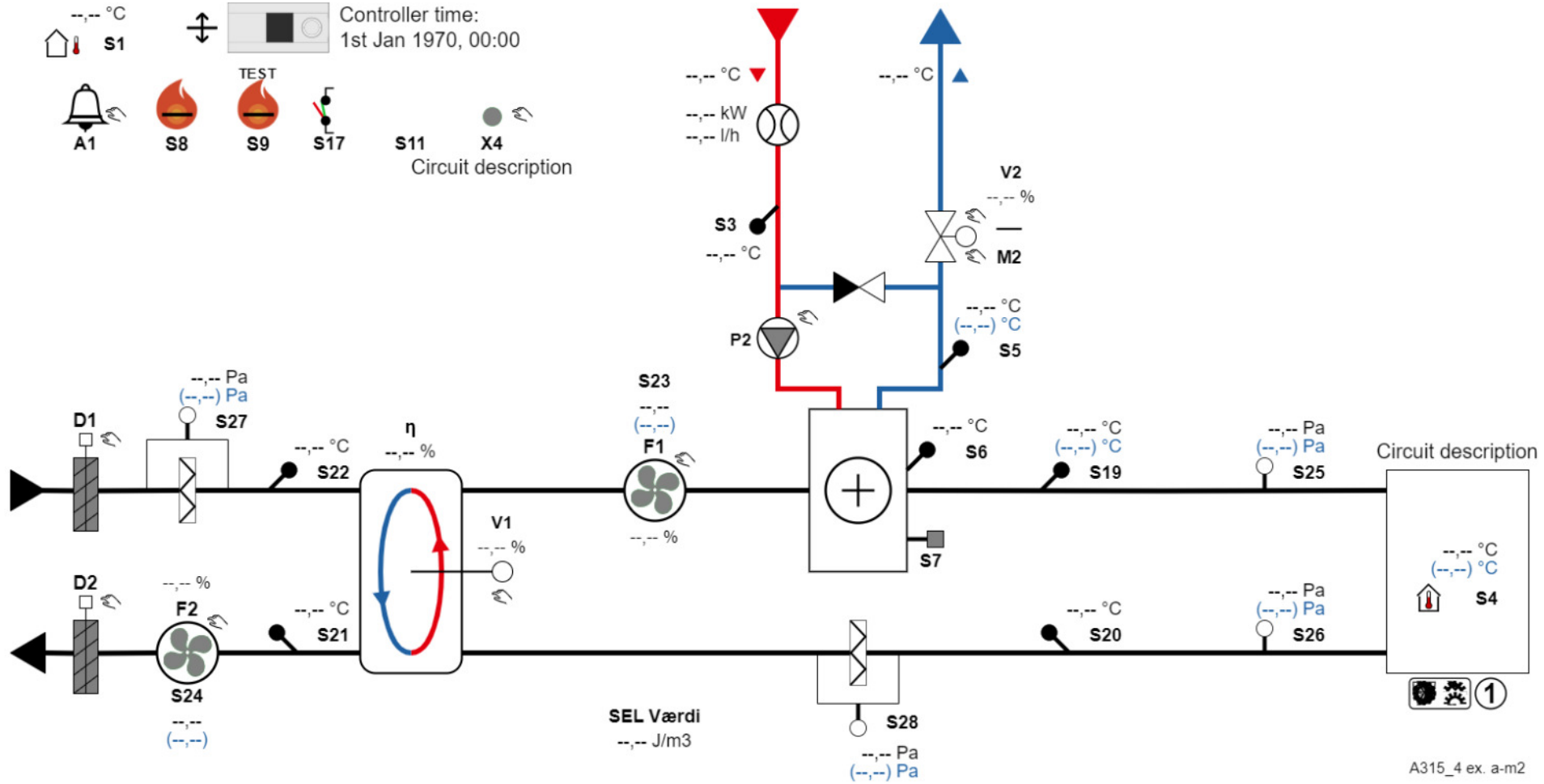
Leanheat® Monitor – A315.3 ex. g1



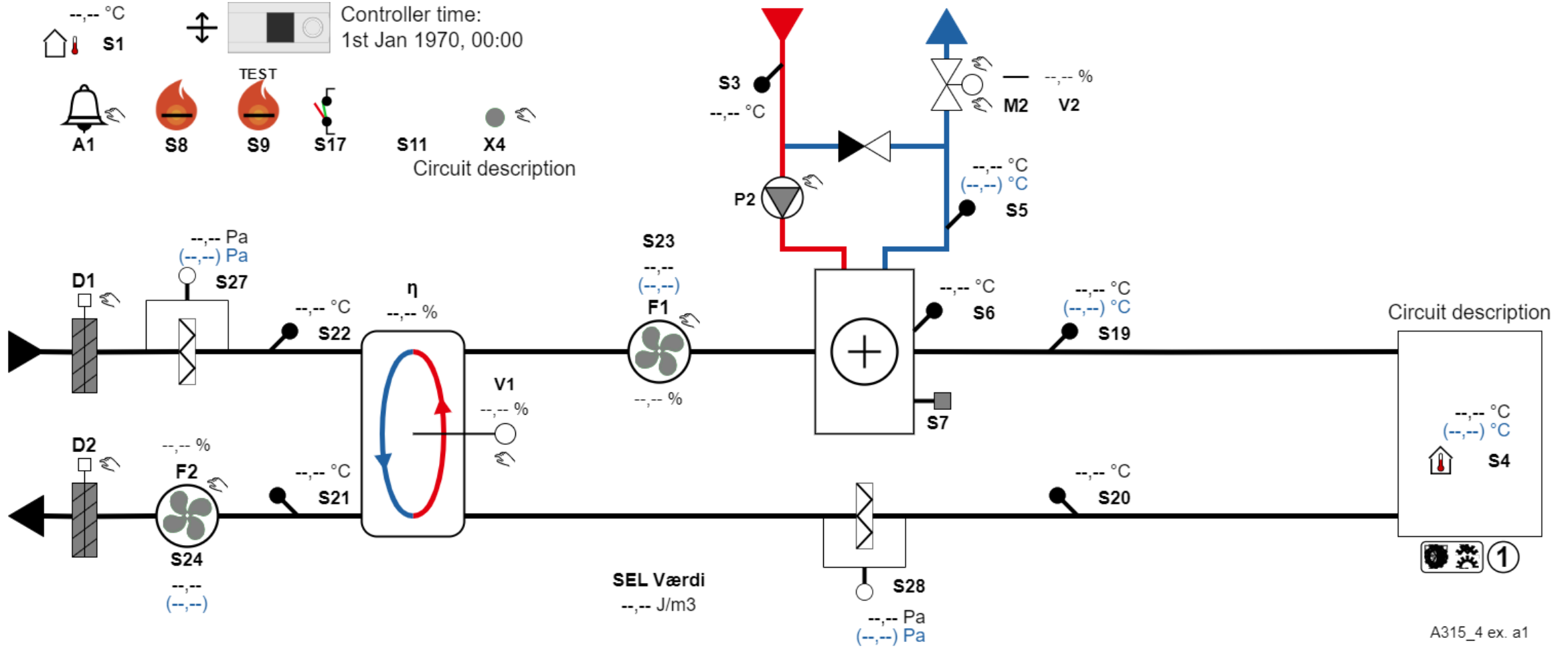
Leanheat® Monitor – A315.4 ex. a



Leanheat® Monitor – A315.4 ex. a-m2

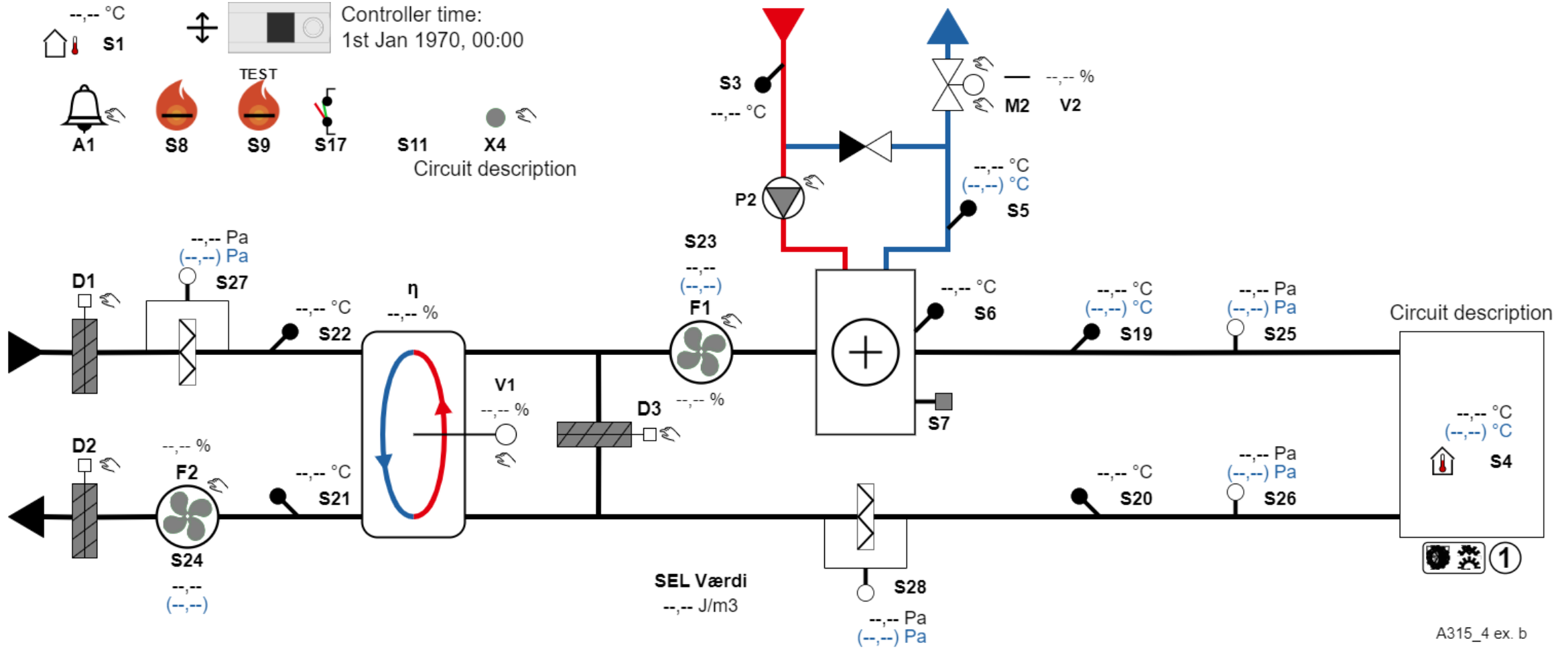


Leanheat® Monitor – A315.4 ex. a1

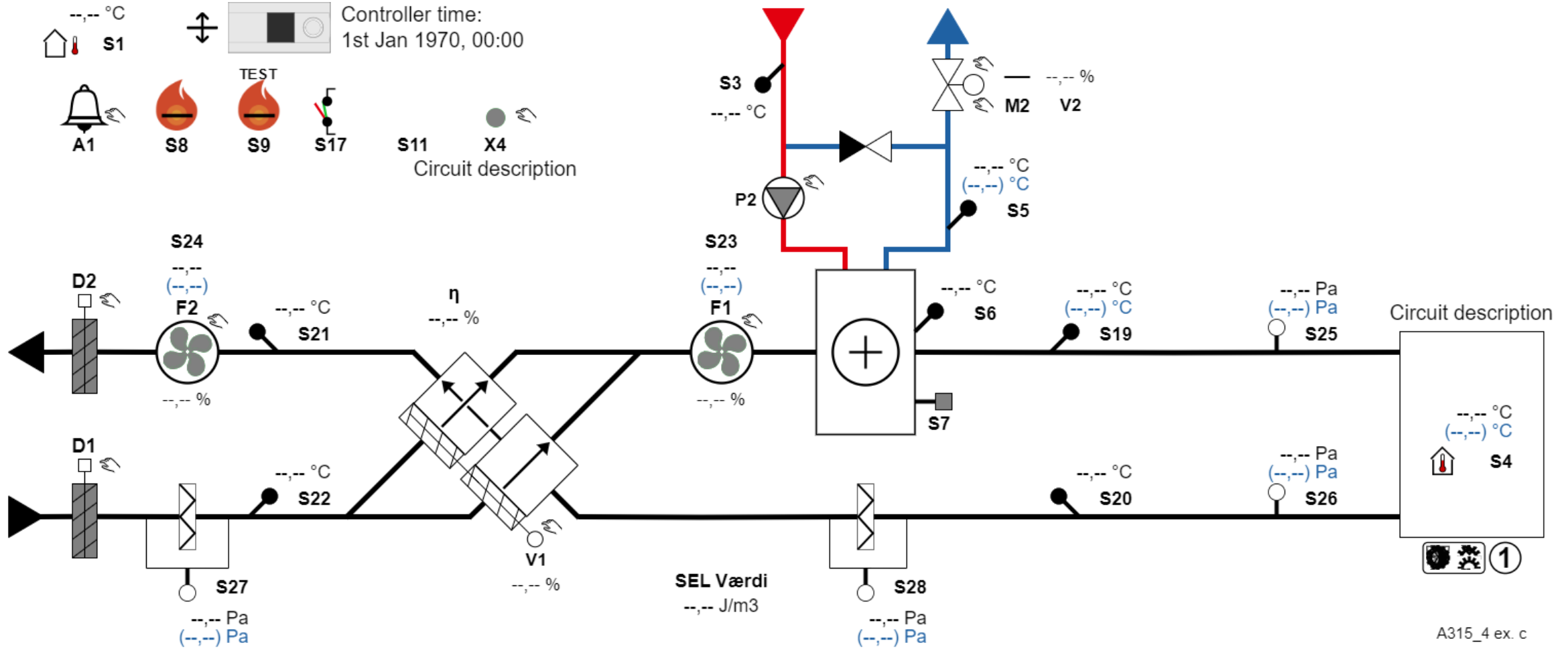


A315_4 ex. a1

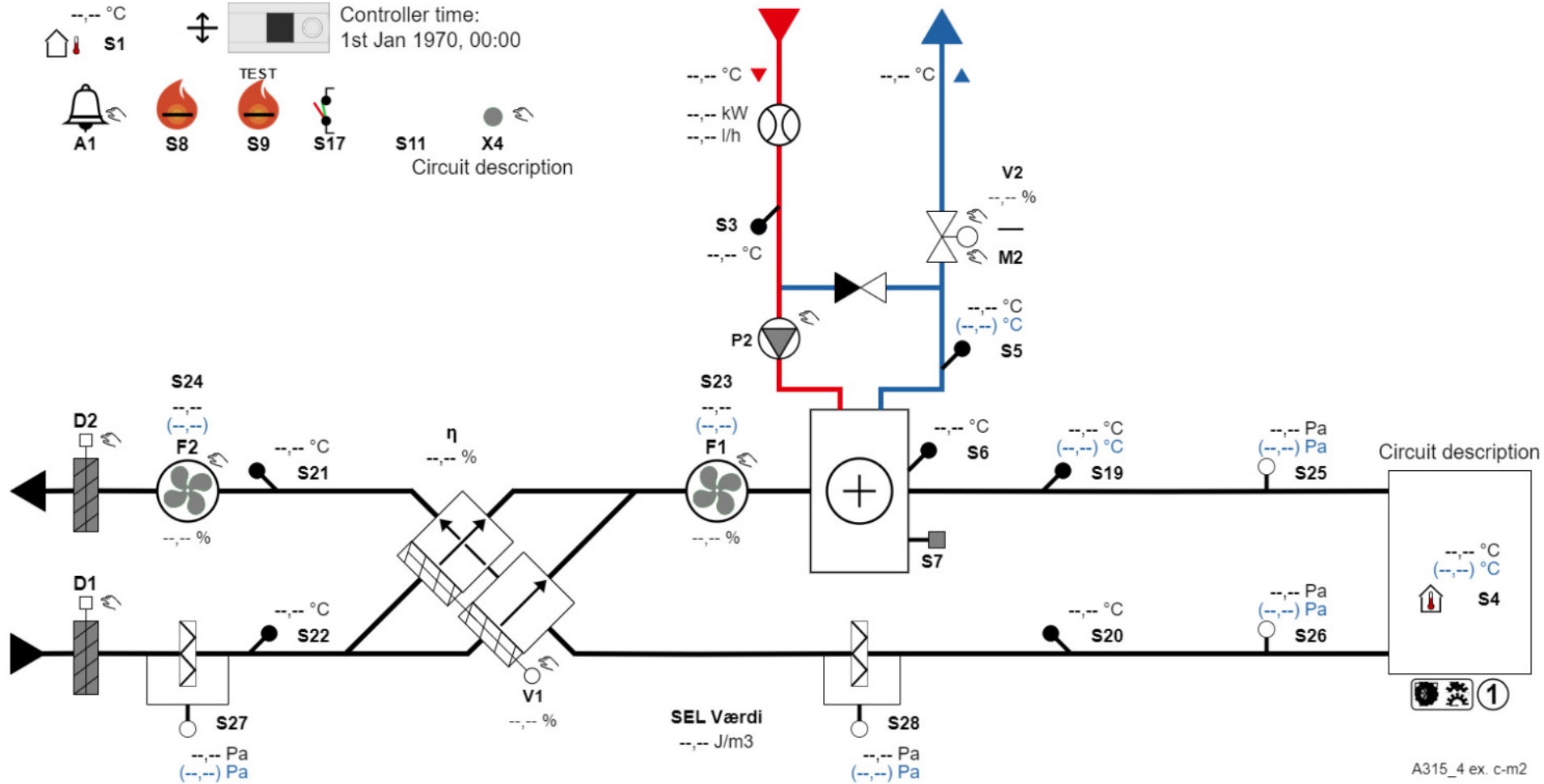
Leanheat® Monitor – A315.4 ex. b



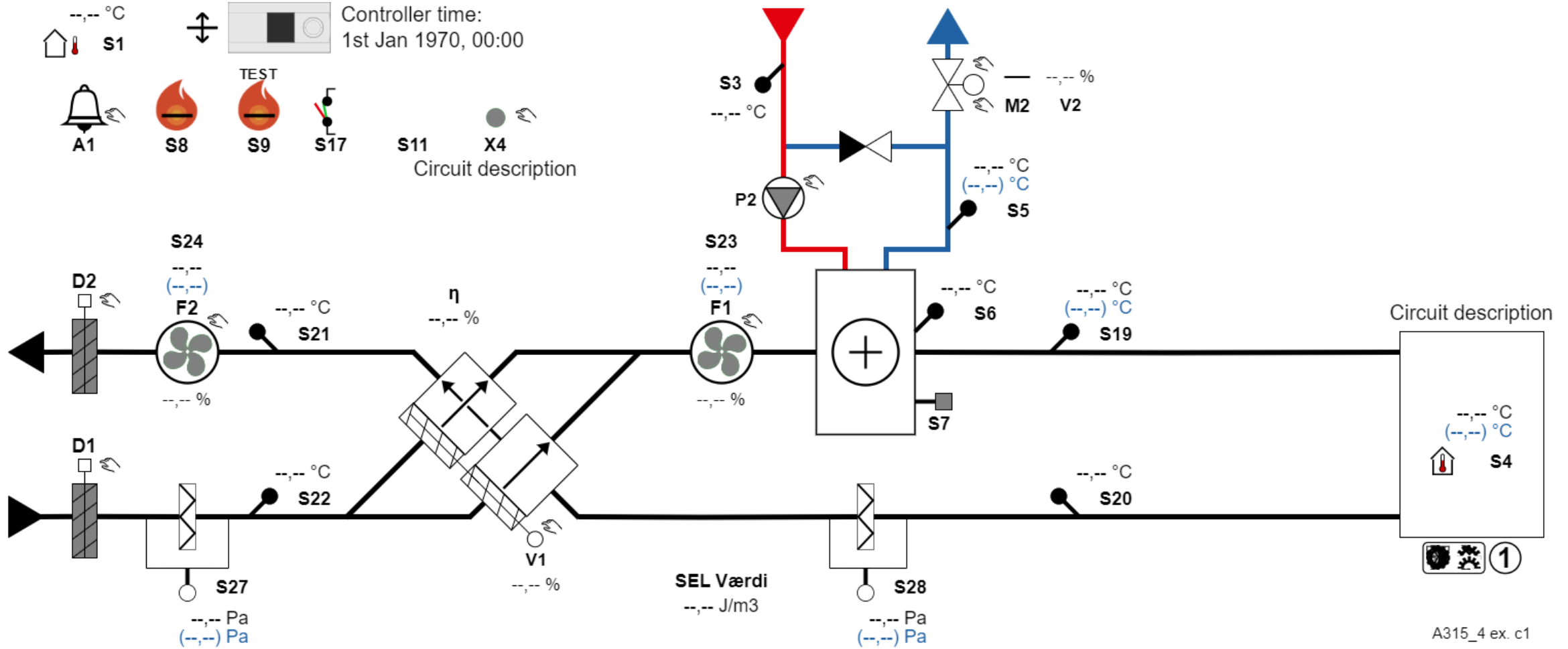
Leanheat® Monitor – A315.4 ex. c



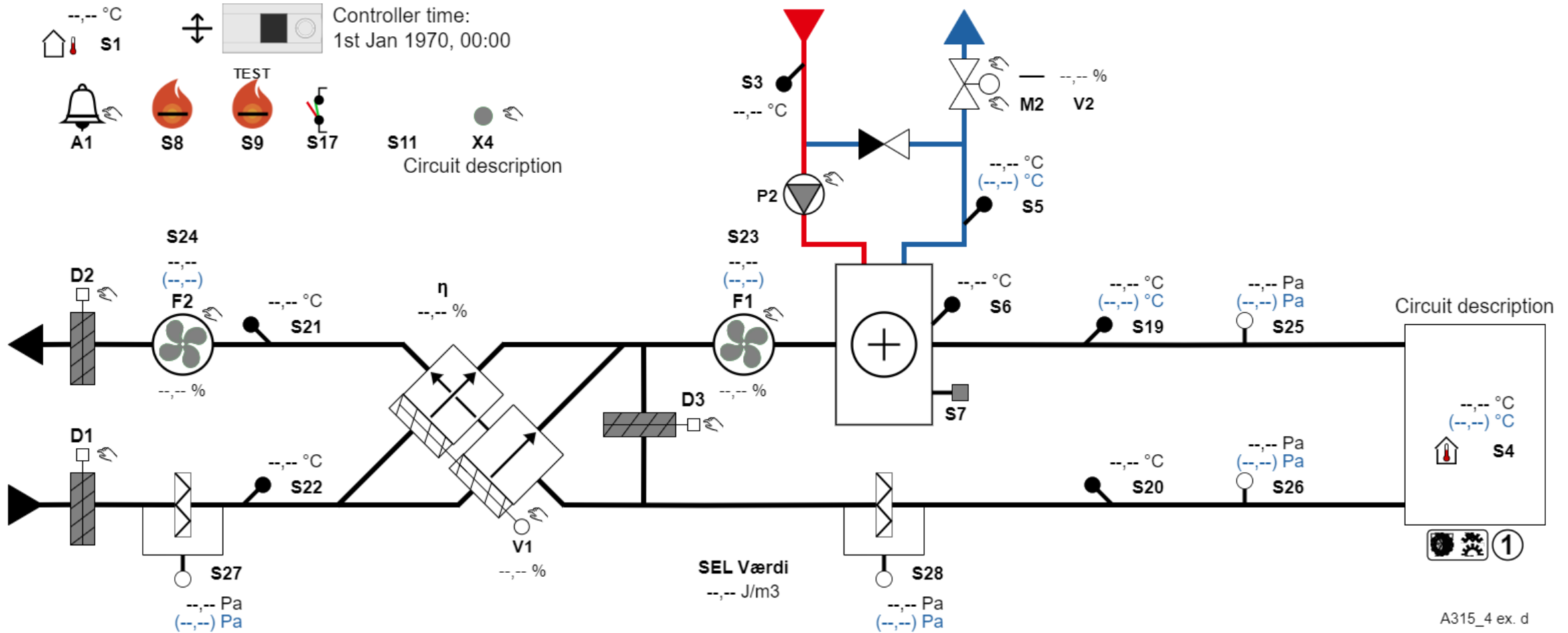
Leanheat® Monitor – A315.4 ex. c-m2



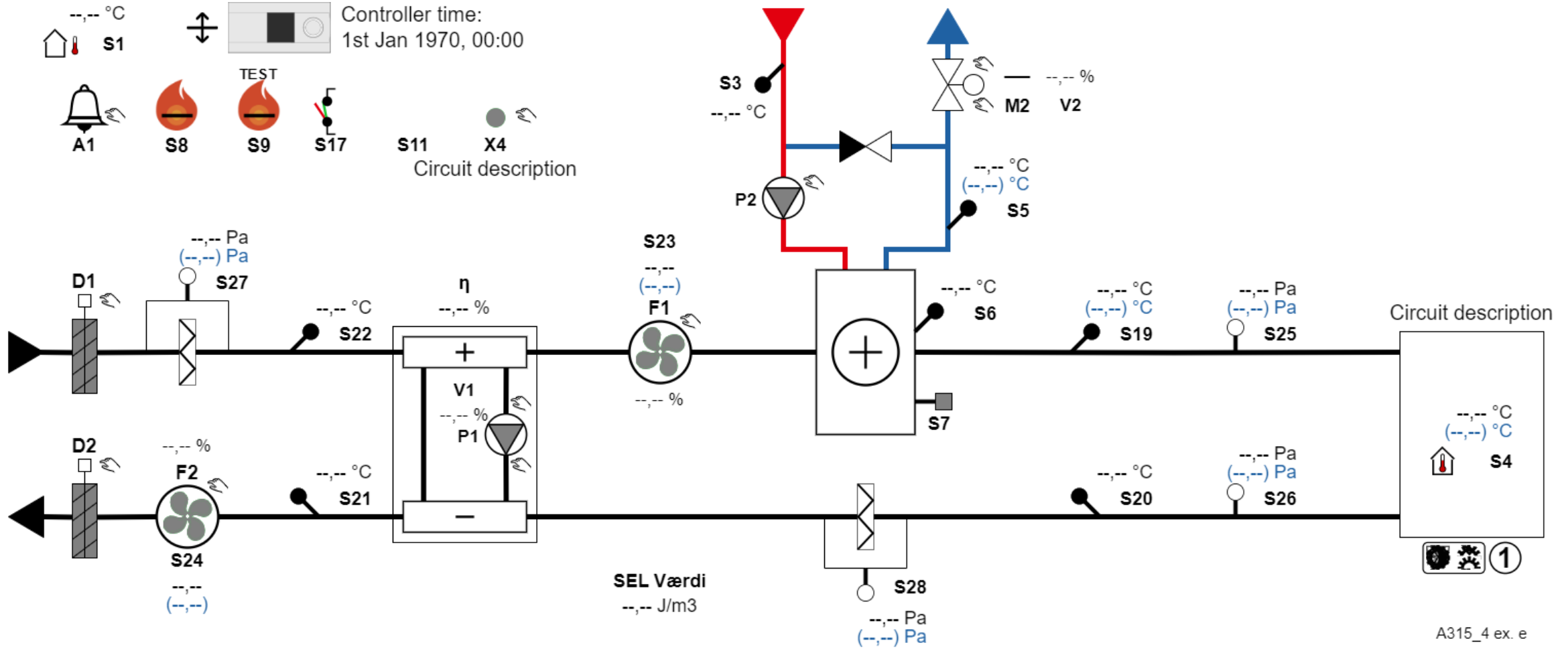
Leanheat® Monitor – A315.4 ex. c1



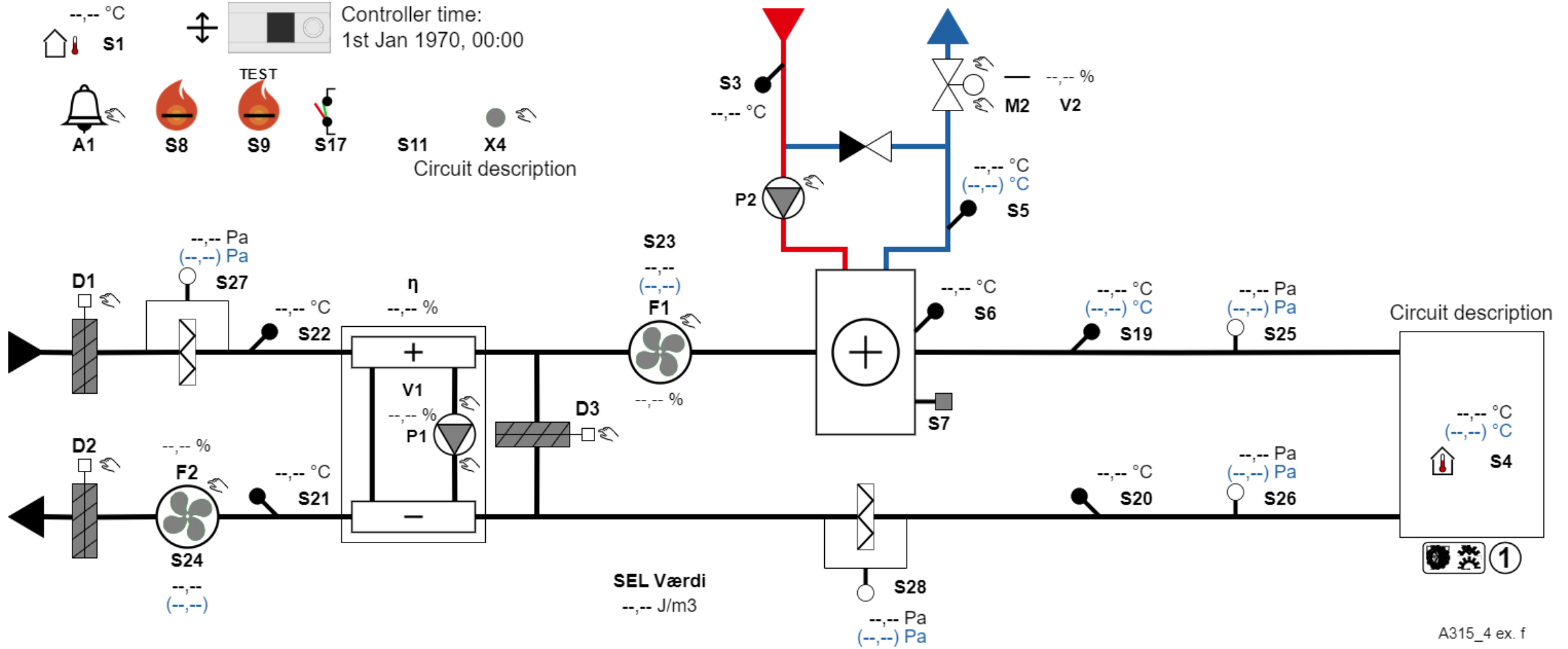
Leanheat® Monitor – A315.4 ex. d



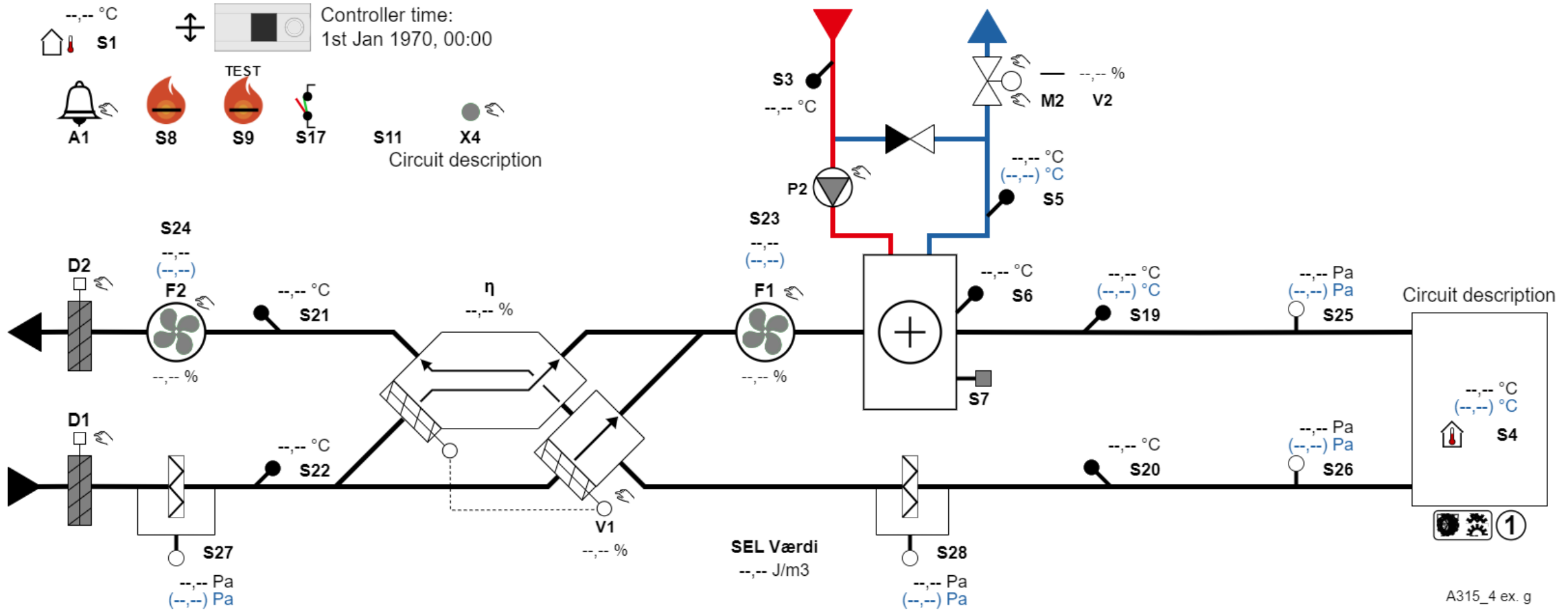
Leanheat® Monitor – A315.4 ex. e



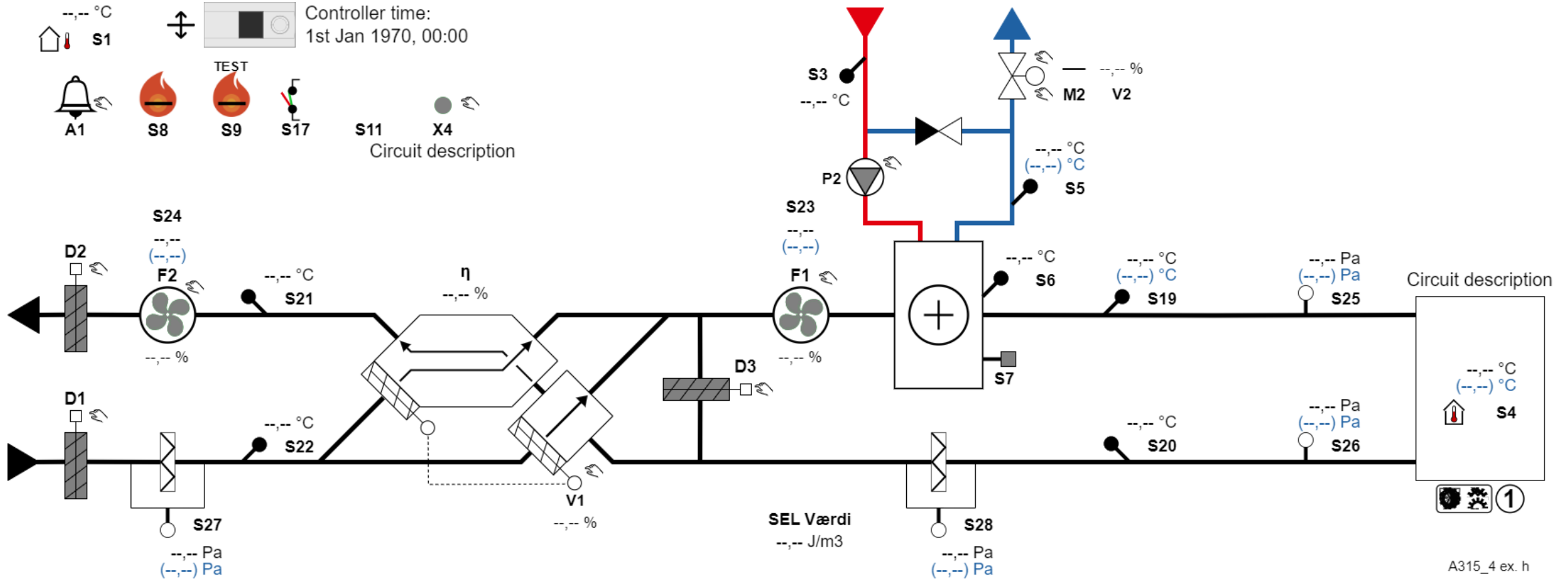
Leanheat® Monitor – A315.4 ex. f



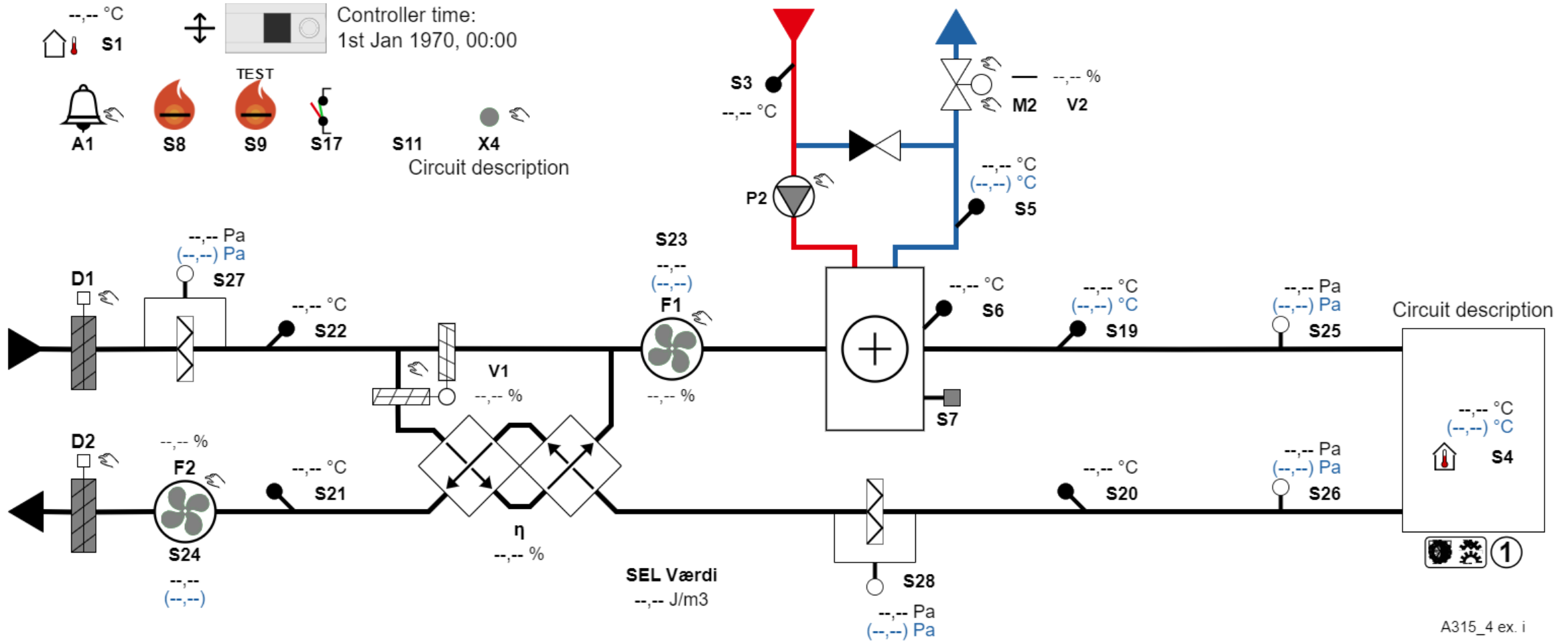
Leanheat® Monitor – A315.4 ex. g



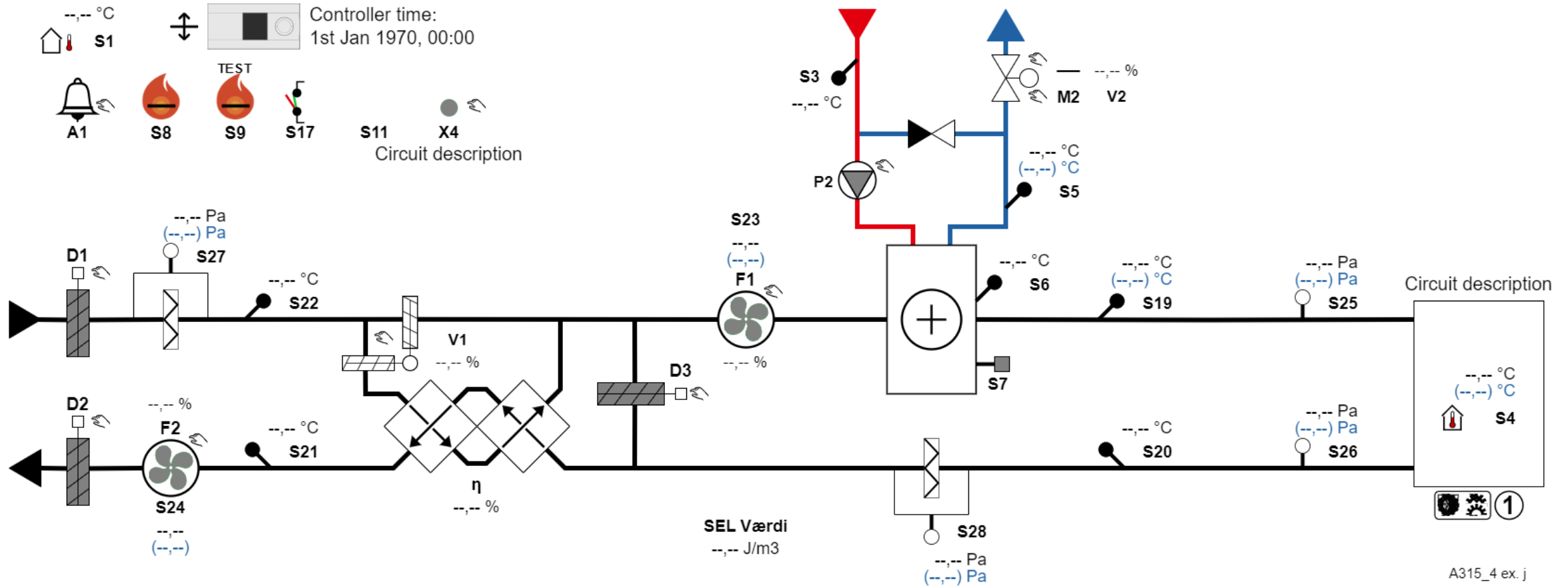
Leanheat® Monitor – A315.4 ex. h



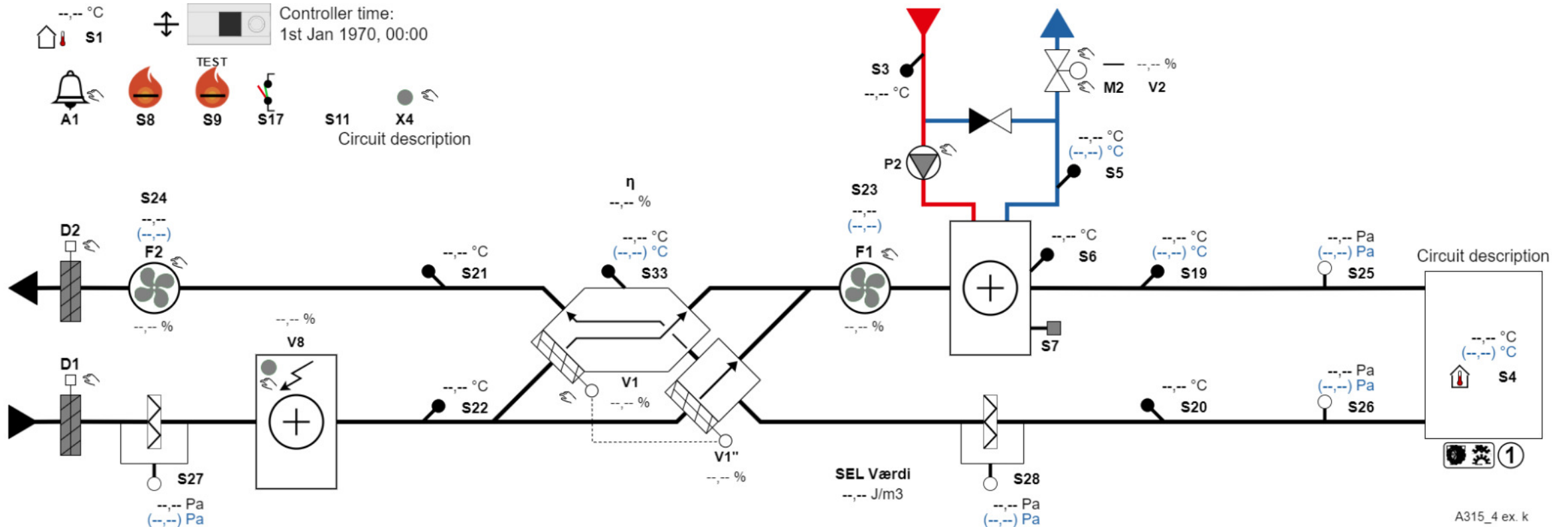
Leanheat® Monitor – A315.4 ex. i



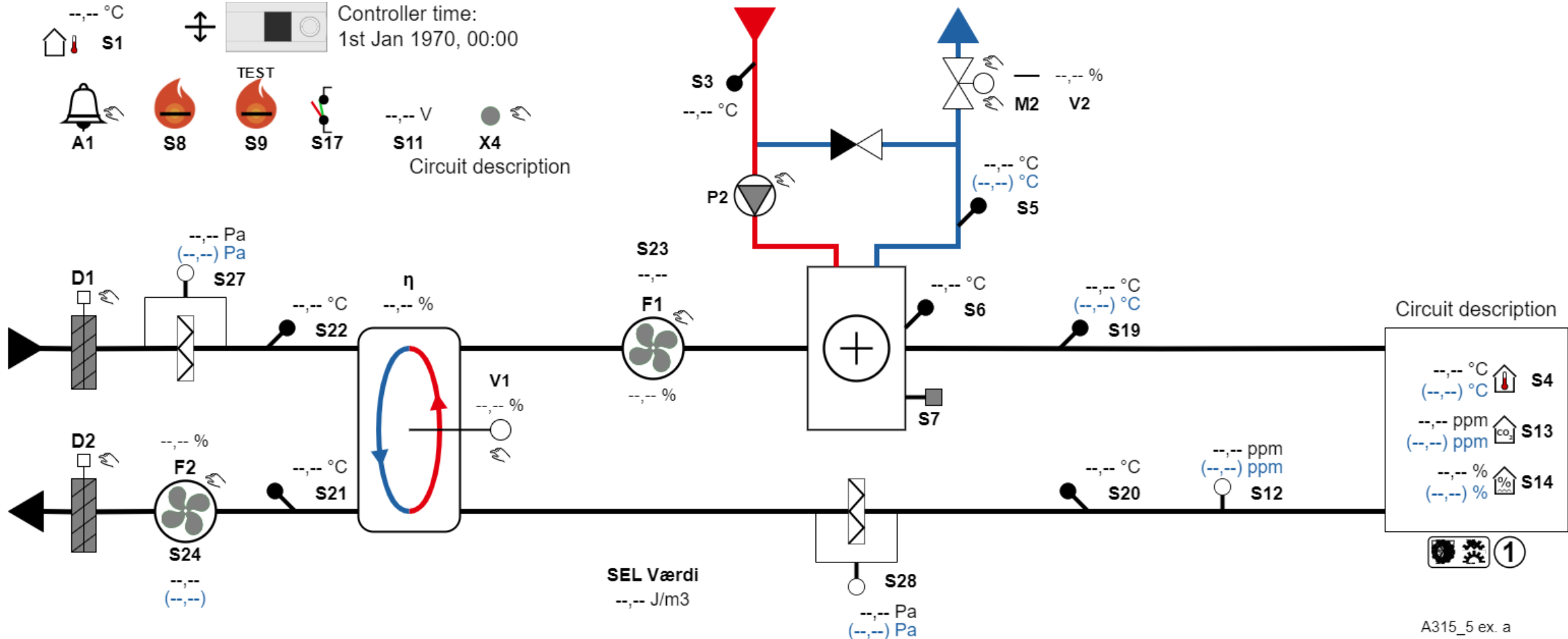
Leanheat® Monitor – A315.4 ex. j



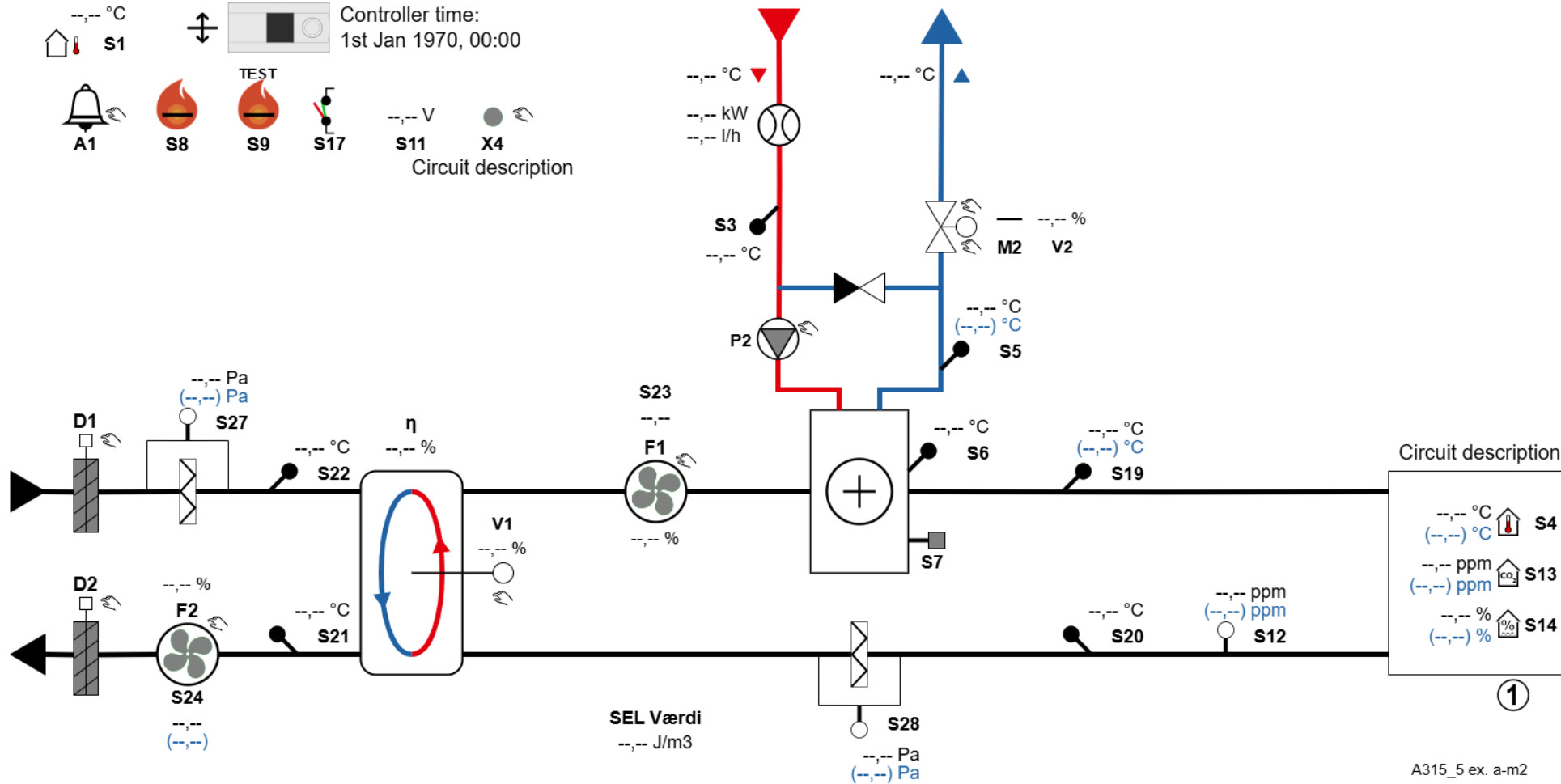
Leanheat® Monitor – A315.4 ex. k



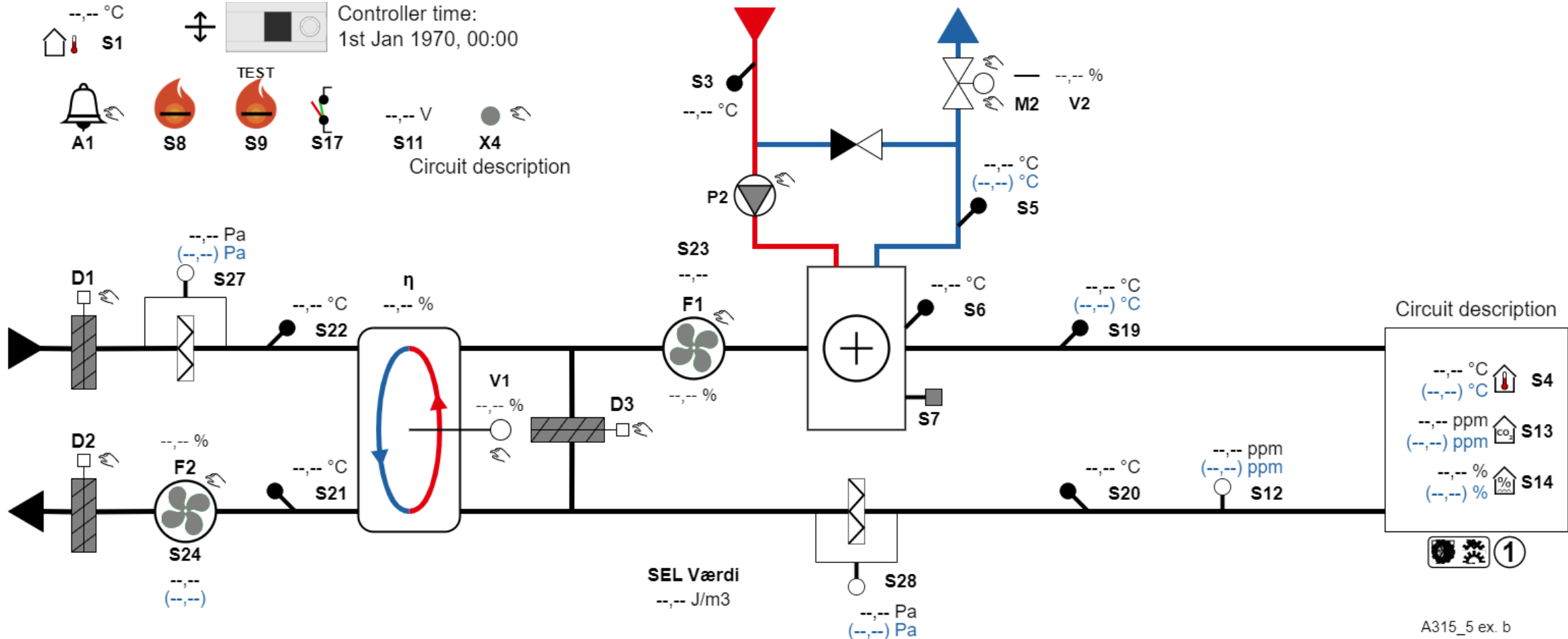
Leanheat® Monitor – A315.5 ex. a



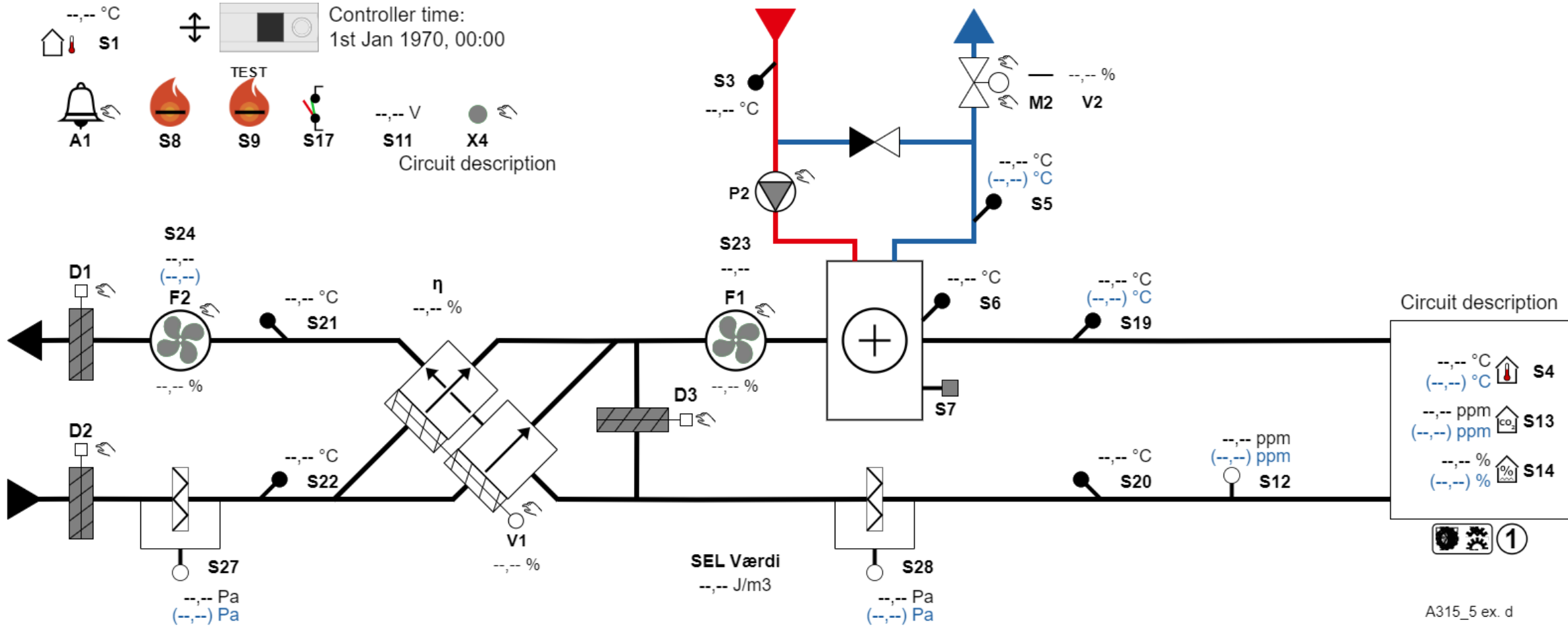
Leanheat® Monitor – A315.5 ex. a-m2



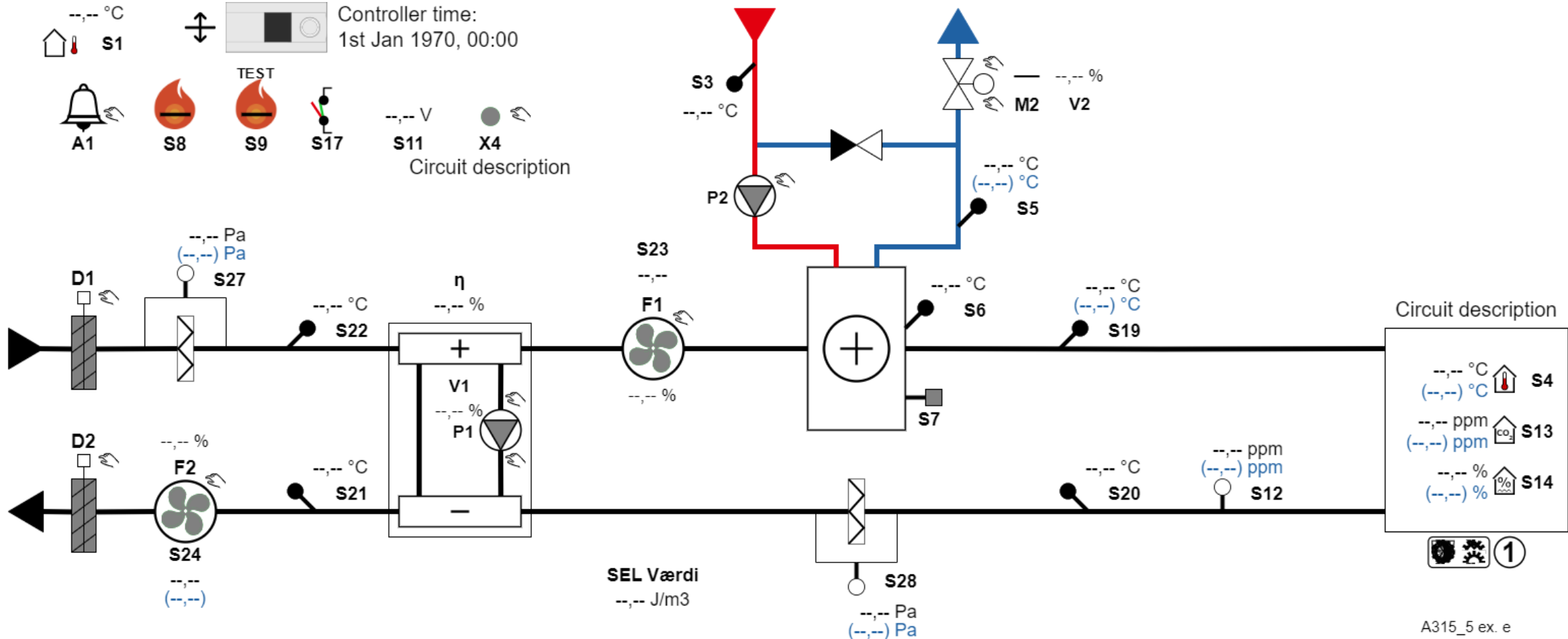
Leanheat® Monitor – A315.5 ex. b



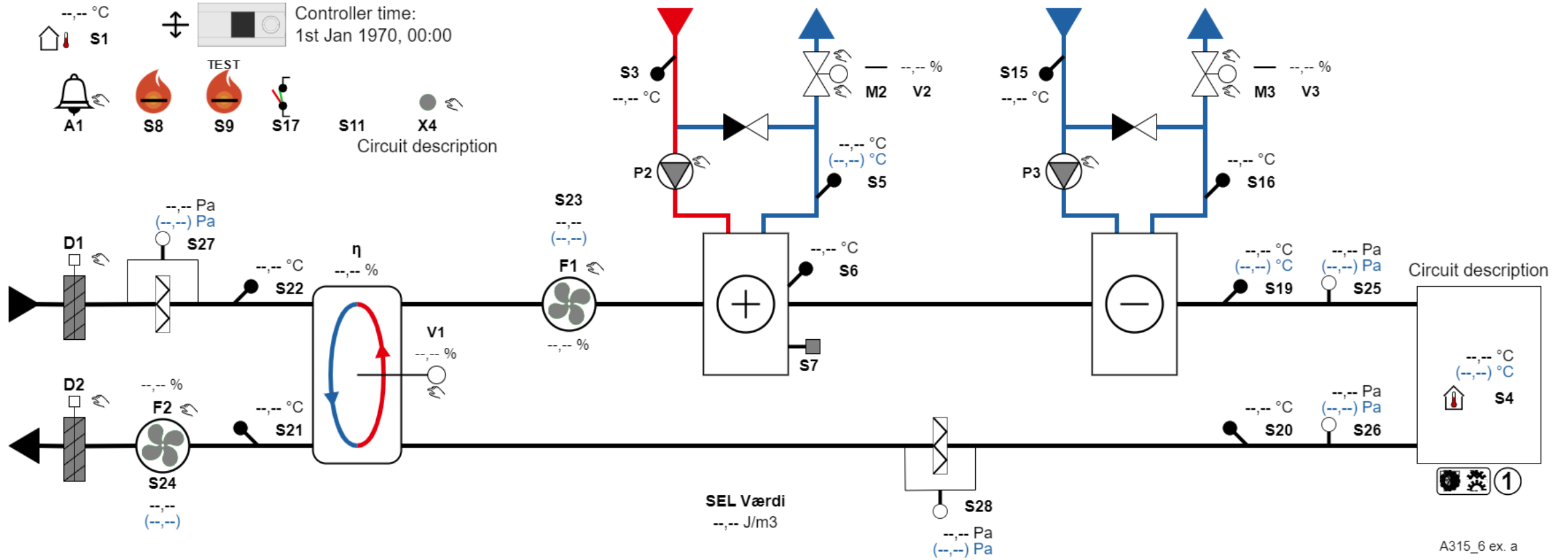
Leanheat® Monitor – A315.5 ex. d



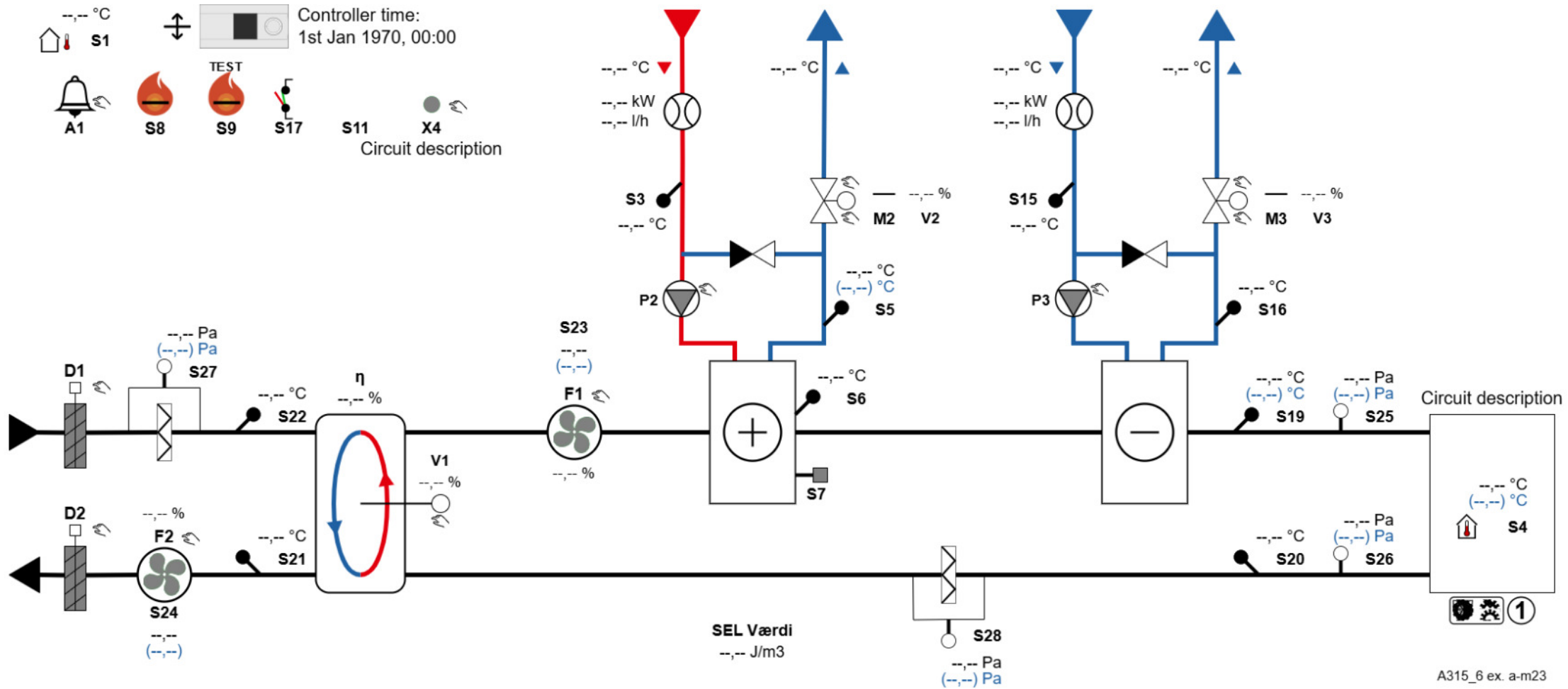
Leanheat® Monitor – A315.5 ex. e



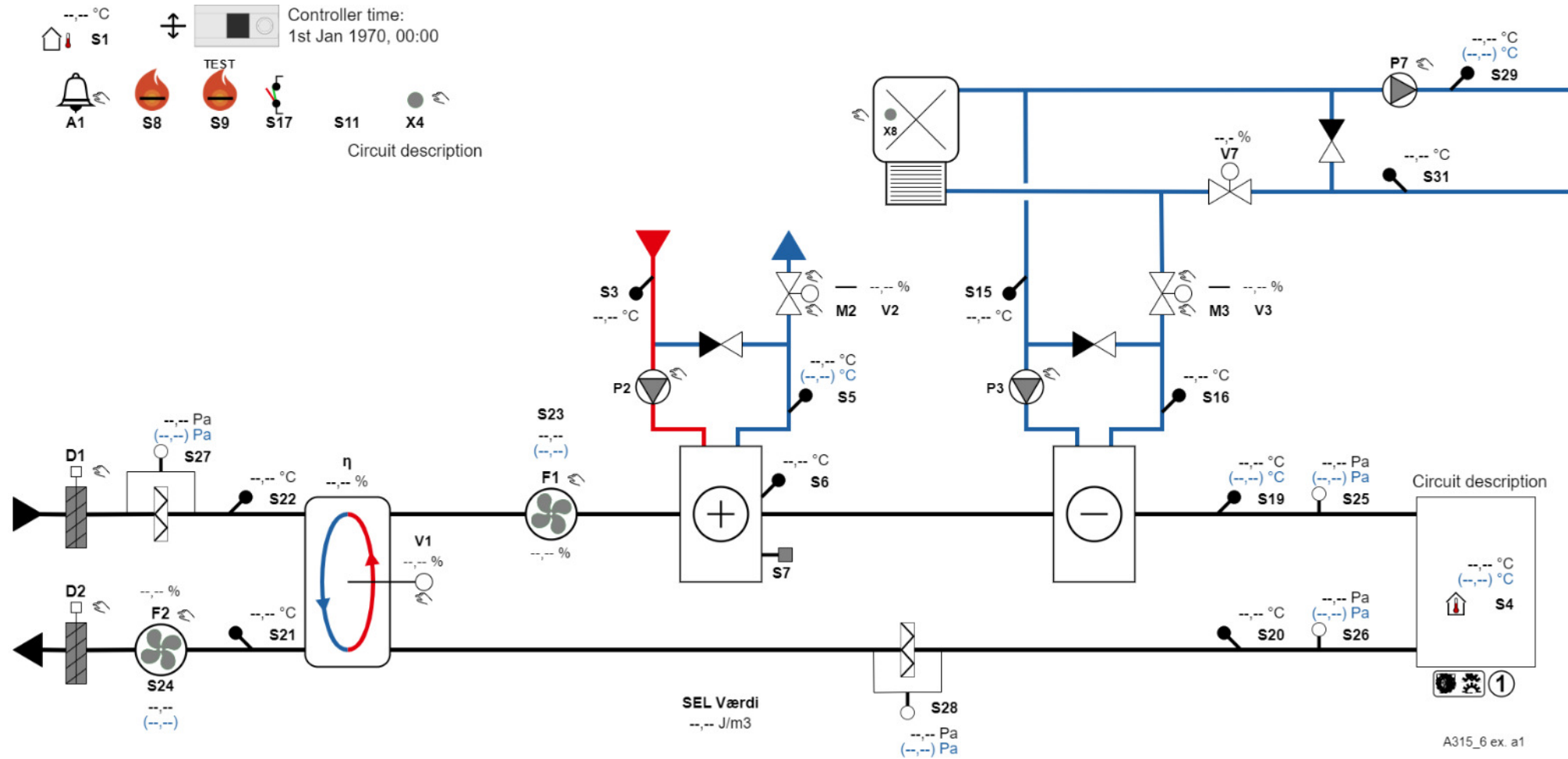
Leanheat® Monitor – A315.6 ex. a



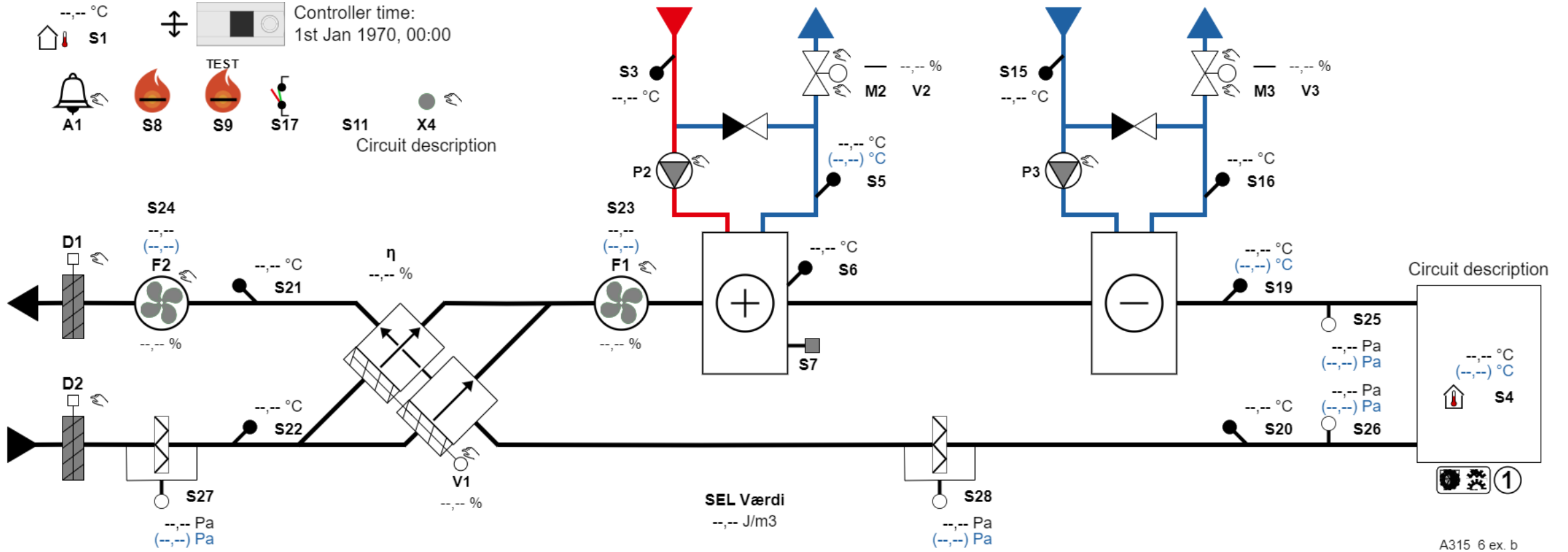
Leanheat® Monitor – A315.6 ex. a-m23



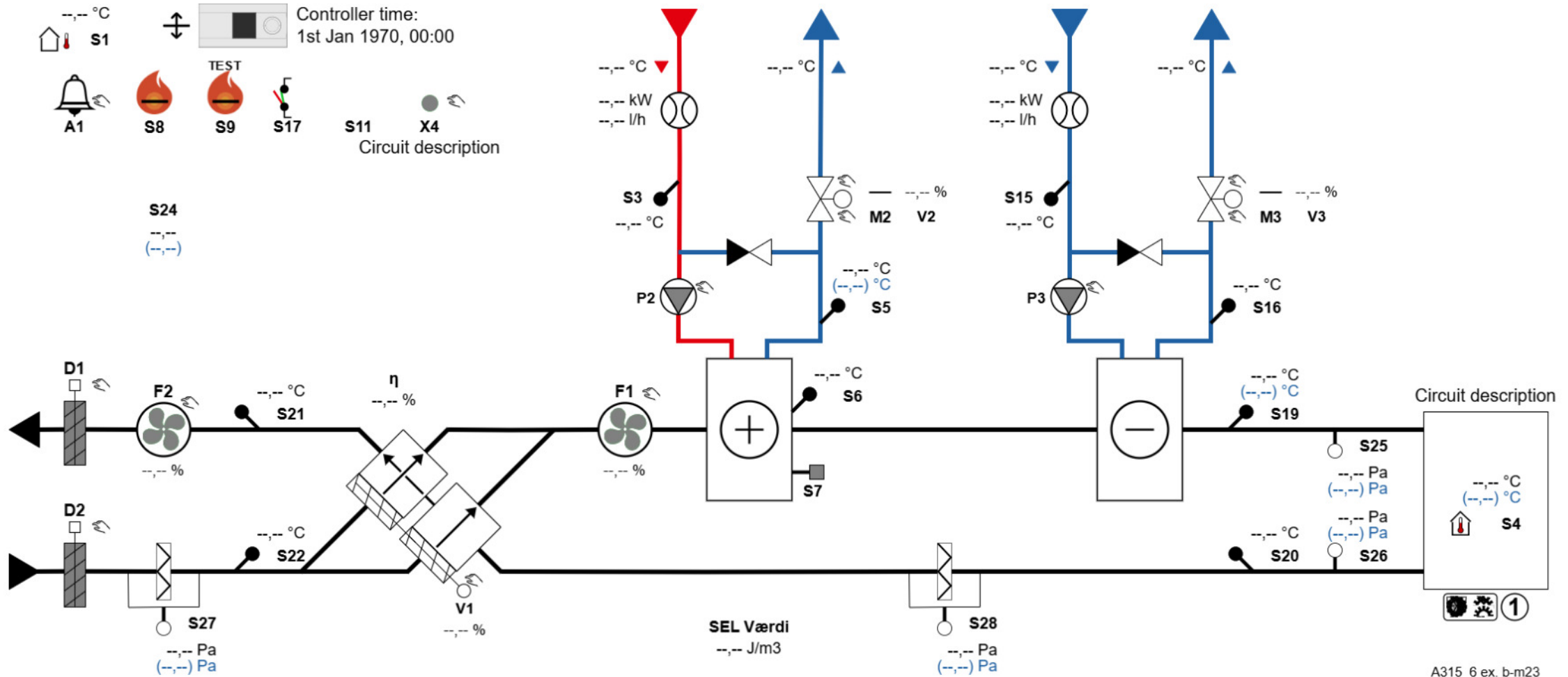
Leanheat® Monitor – A315.6 ex. a1



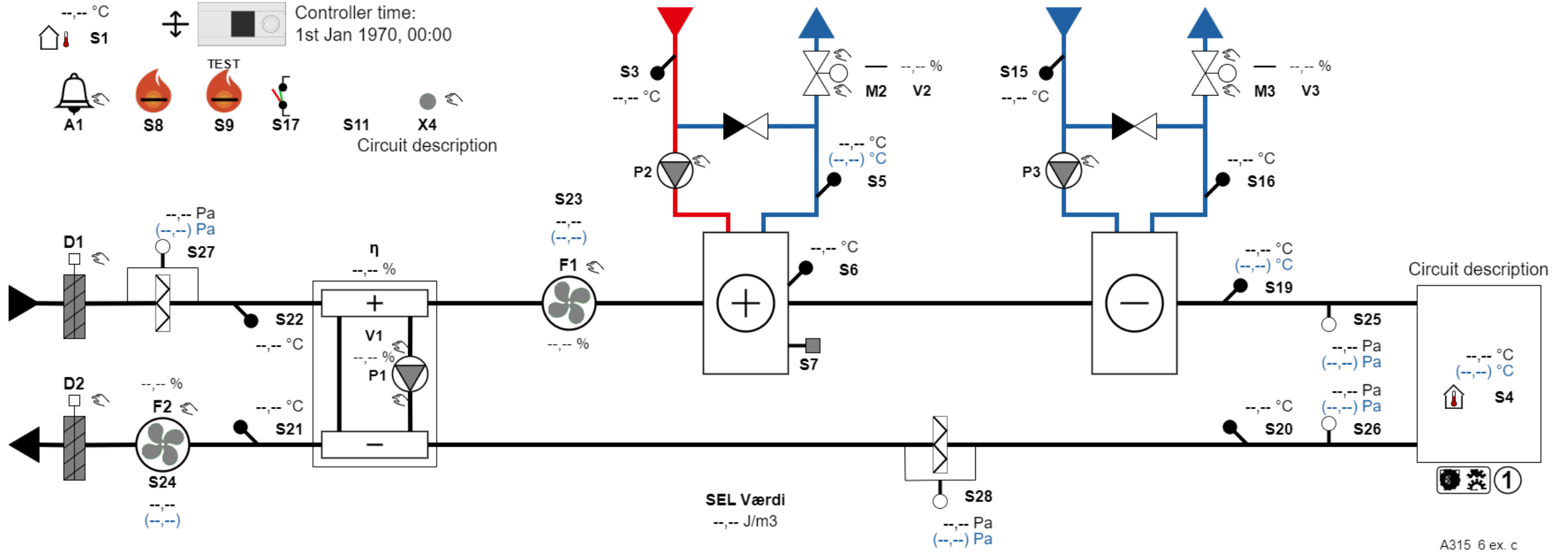
Leanheat® Monitor – A315.6 ex. b



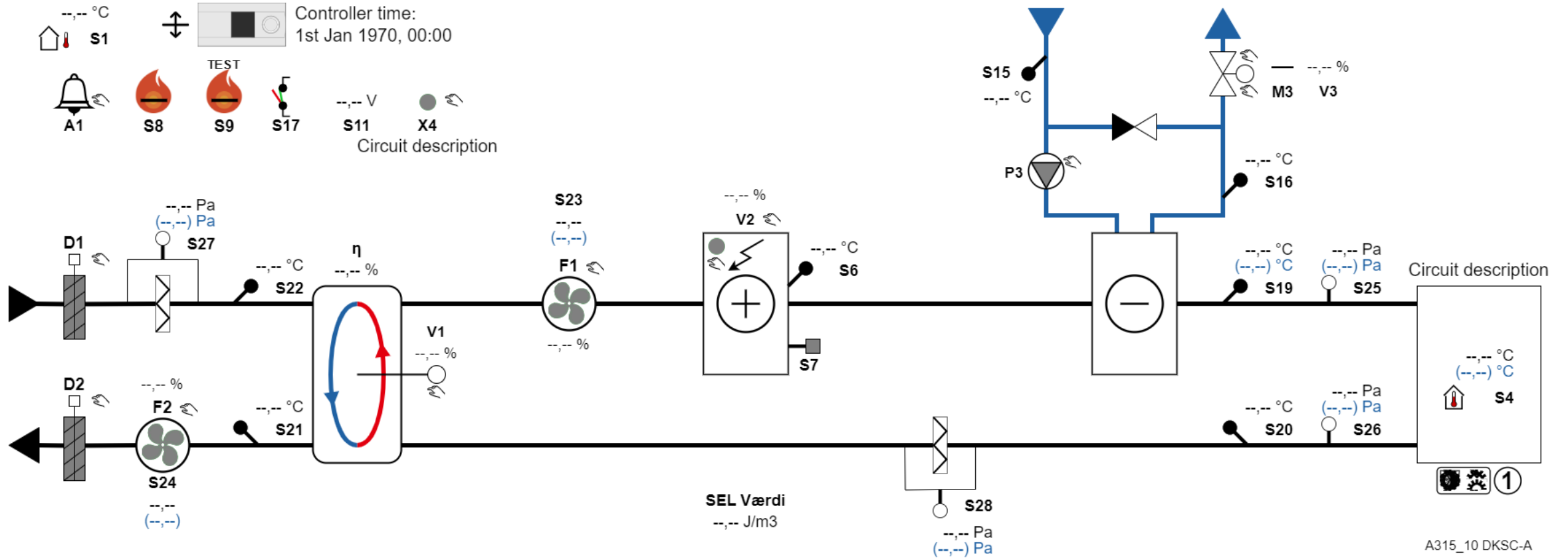
Leanheat® Monitor – A315.6 ex. b-m23



Leanheat® Monitor – A315.6 ex. c



Leanheat® Monitor – A315.10 DKSC-A



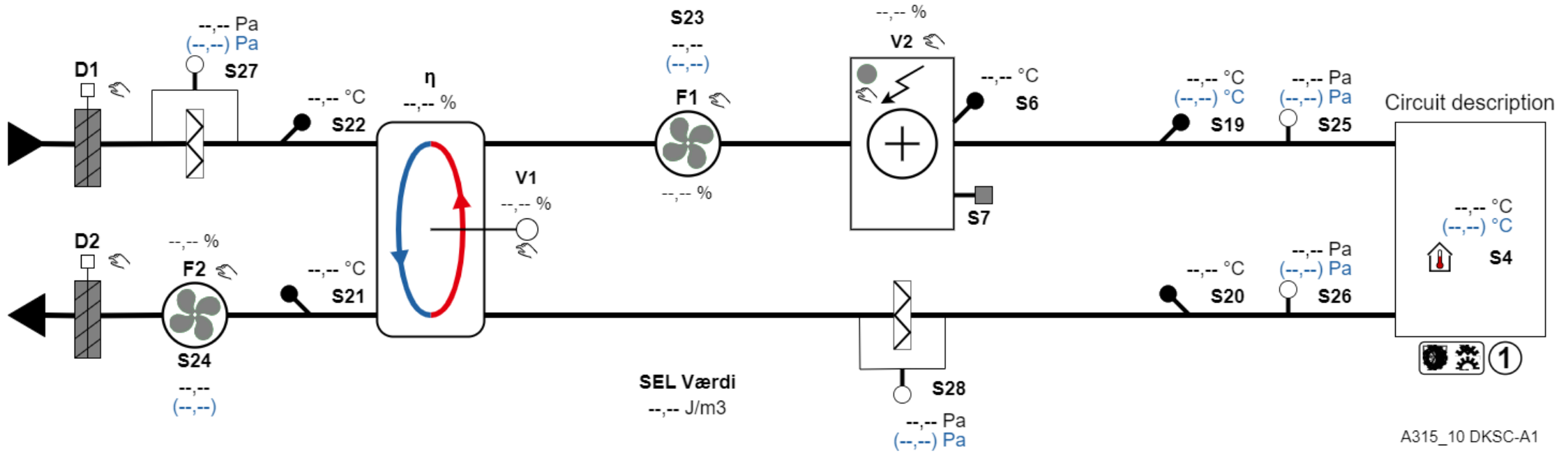
Leanheat® Monitor – A315.10 DKSC-A1



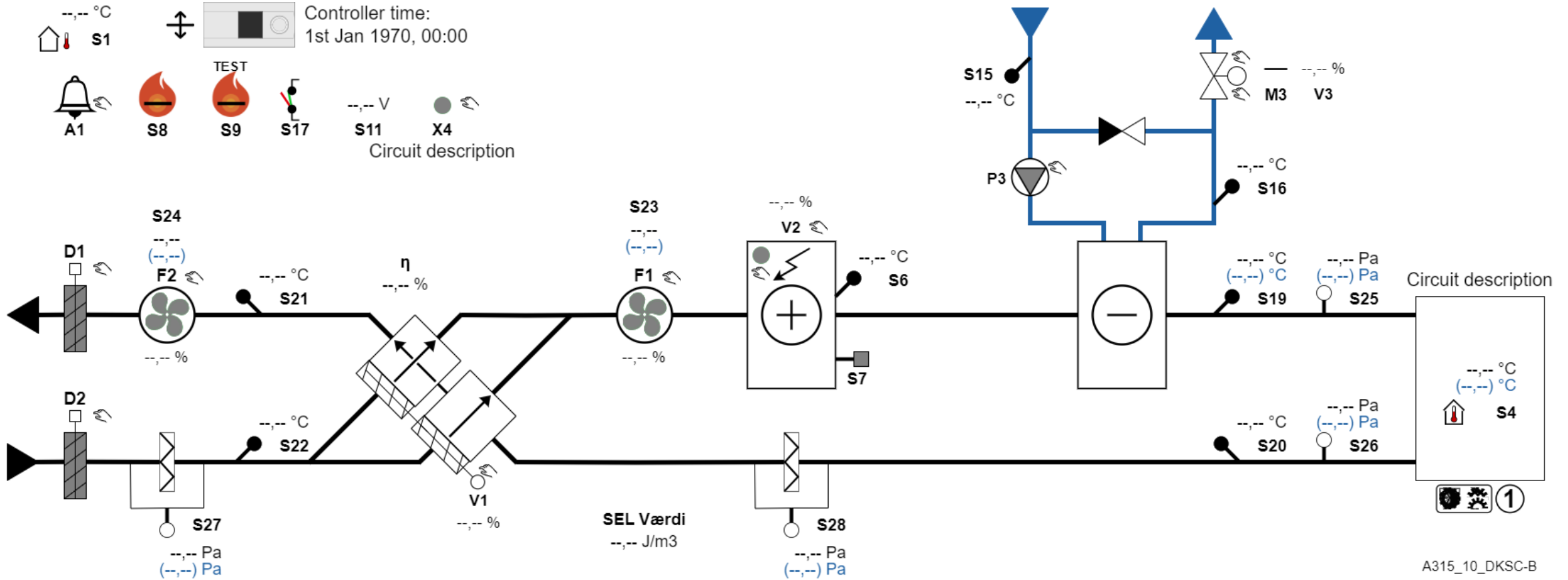
--- °C **S1**
 Controller time:
 1st Jan 1970, 00:00

A1
 S8
 S9
 S17
 --- V **S11**
 ● **X4**

Circuit description



Leanheat® Monitor – A315.10 DKSC-B



Leanheat® Monitor – A315.10 DKSC-B1

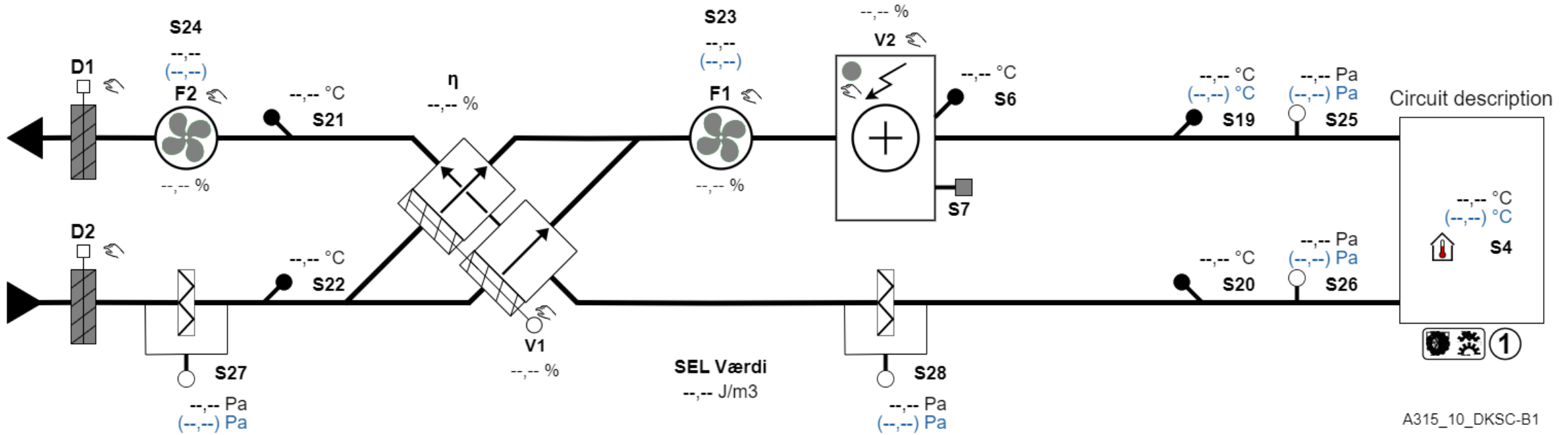


--- °C **S1**

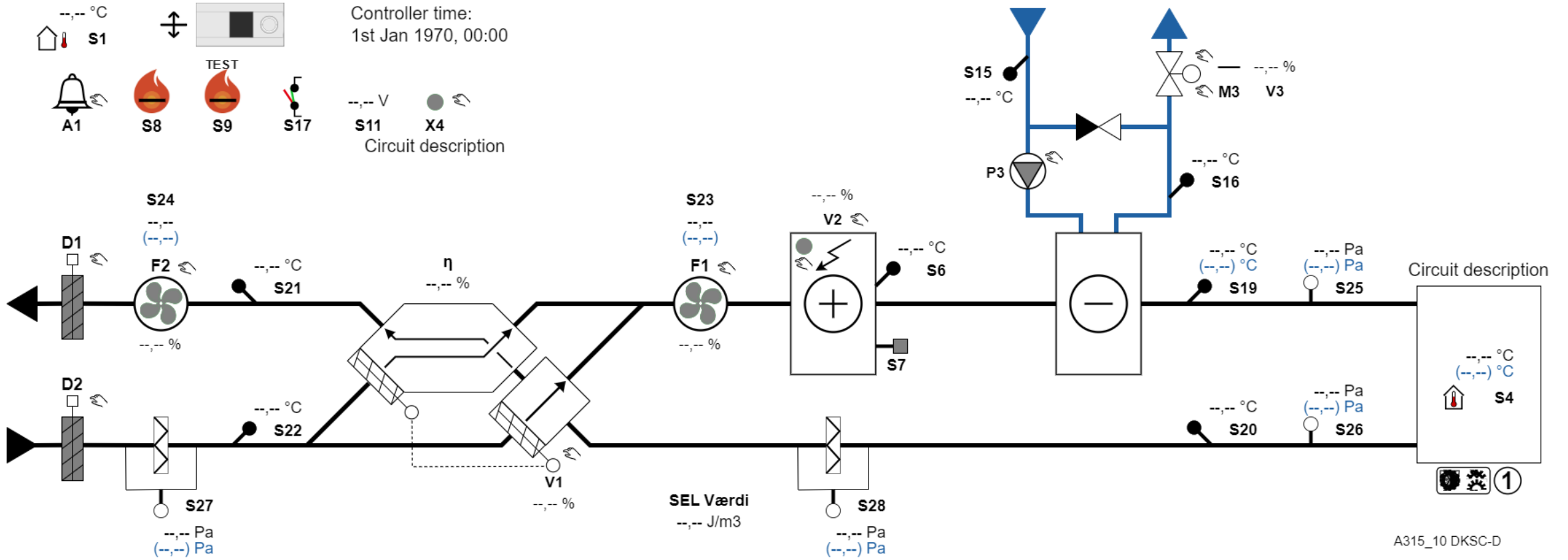
 Controller time:
 1st Jan 1970, 00:00

A1
 S8
 S9
 S17
 --- V **S11**
 ● **X4**

Circuit description



Leanheat® Monitor – A315.10 DKSC-D



Leanheat® Monitor – A315.10 DKSC-D1



--- °C
🏠 S1

↕

Controller time:
1st Jan 1970, 00:00

🔔 A1

🔥 S8

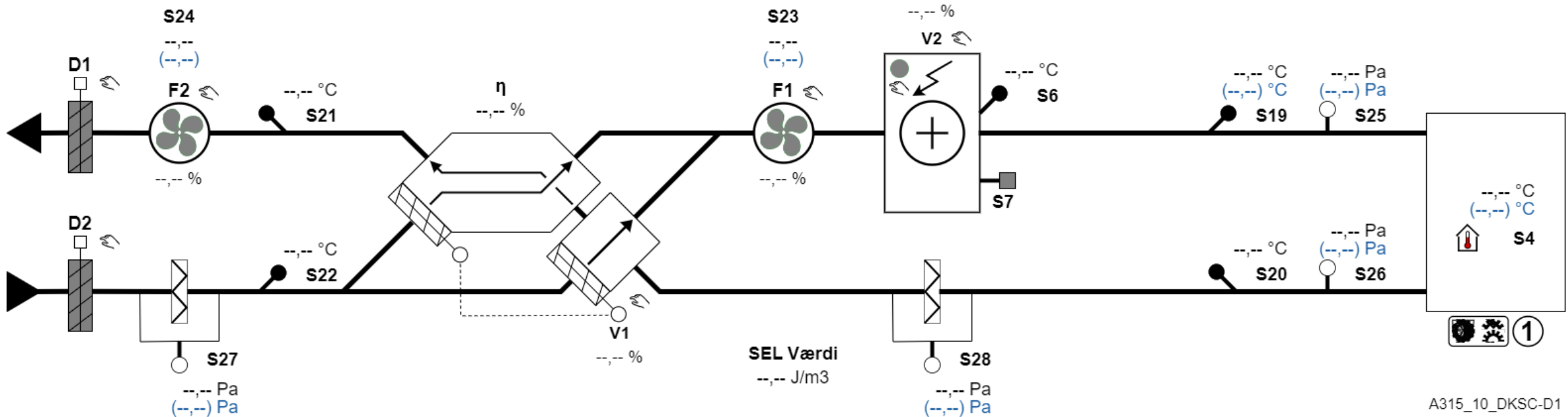
TEST
🔥 S9

🔌 S17

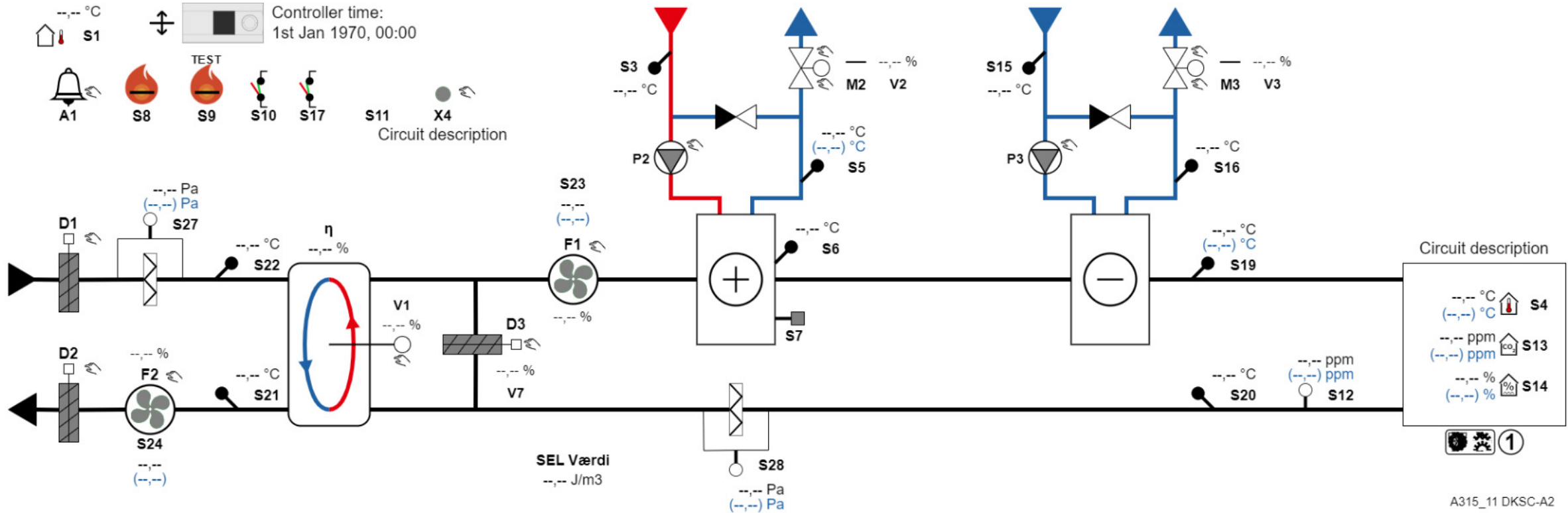
--- V
S11

● X4

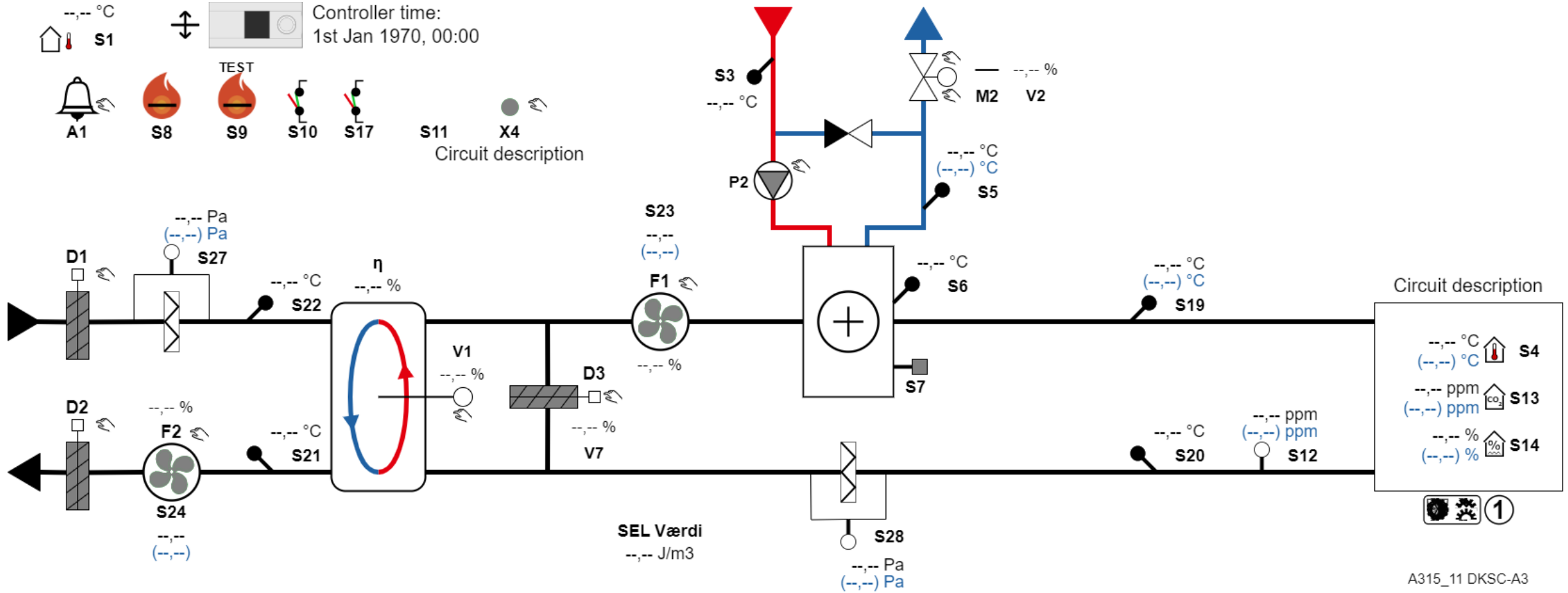
Circuit description



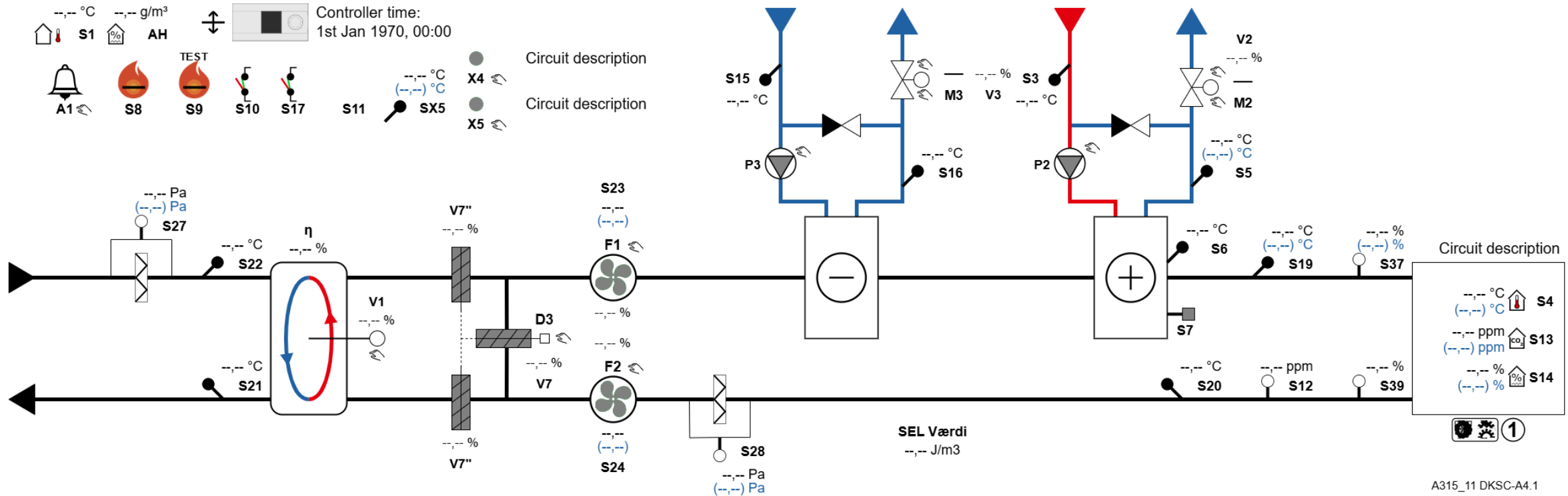
Leanheat® Monitor – A315.11 DKSC-A2



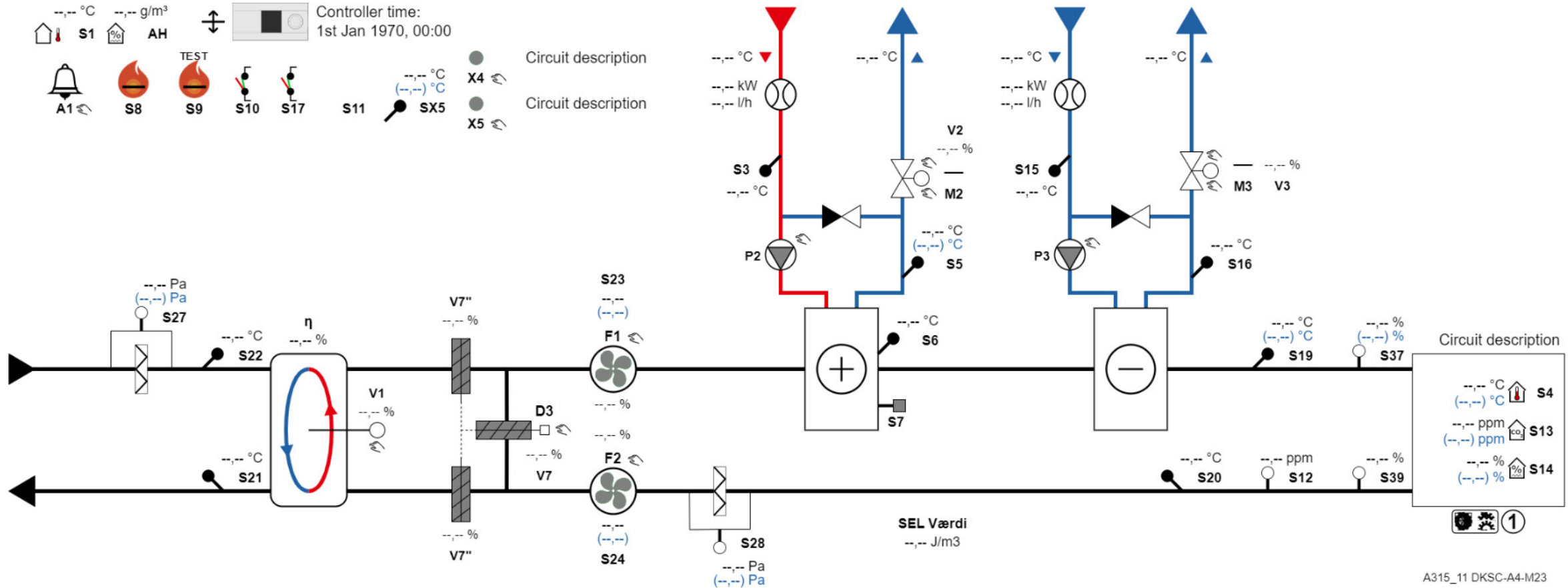
Leanheat® Monitor – A315.11 DKSC-A3



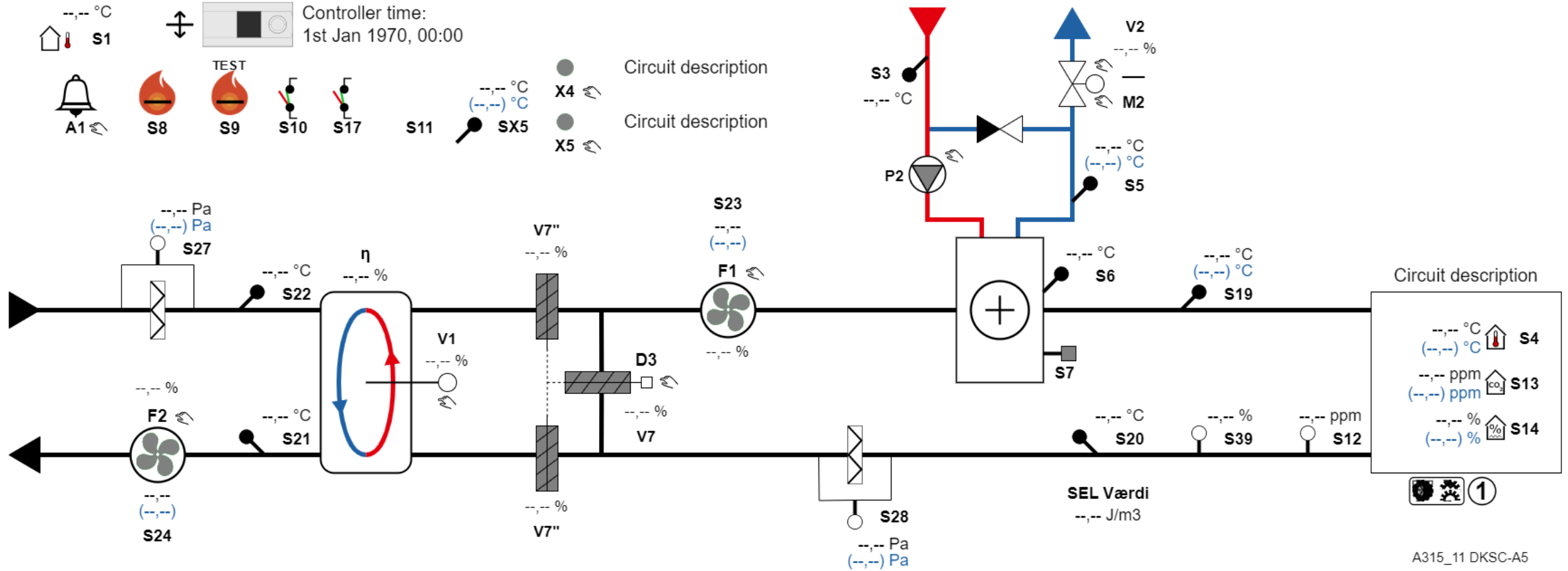
Leanheat® Monitor – A315.11 DKSC-A4.1



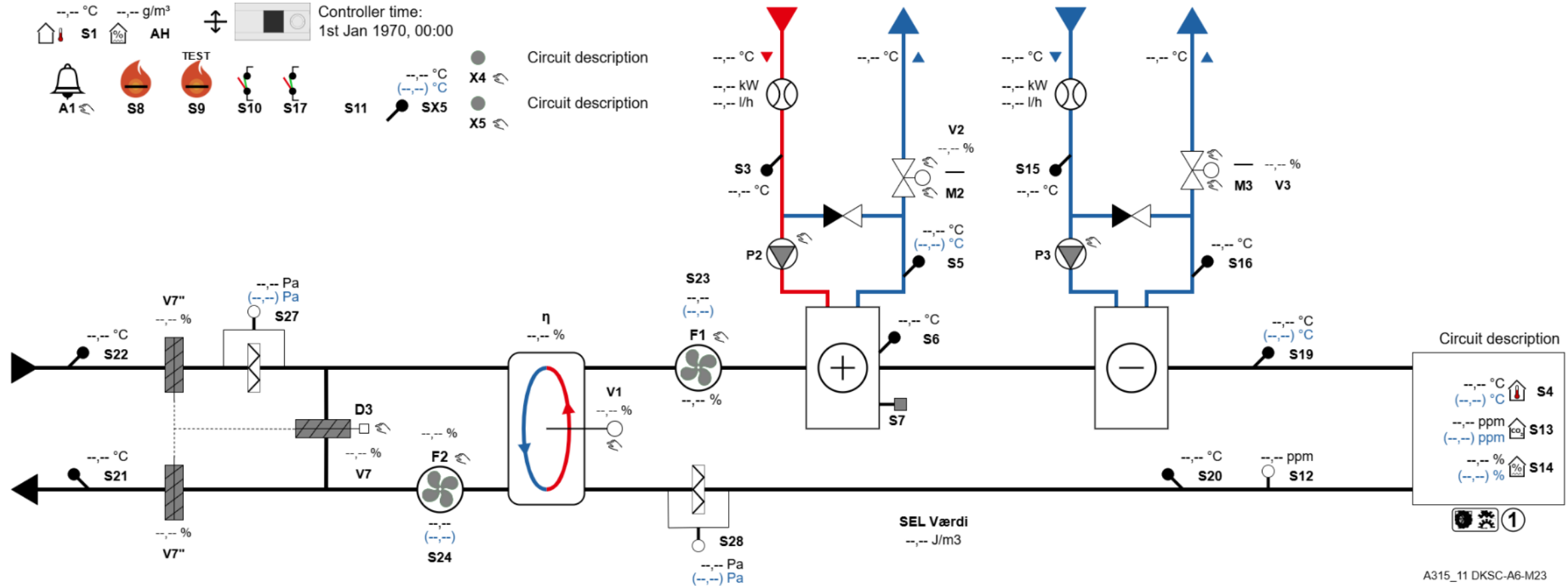
Leanheat® Monitor – A315.11 DKSC-A4-M23



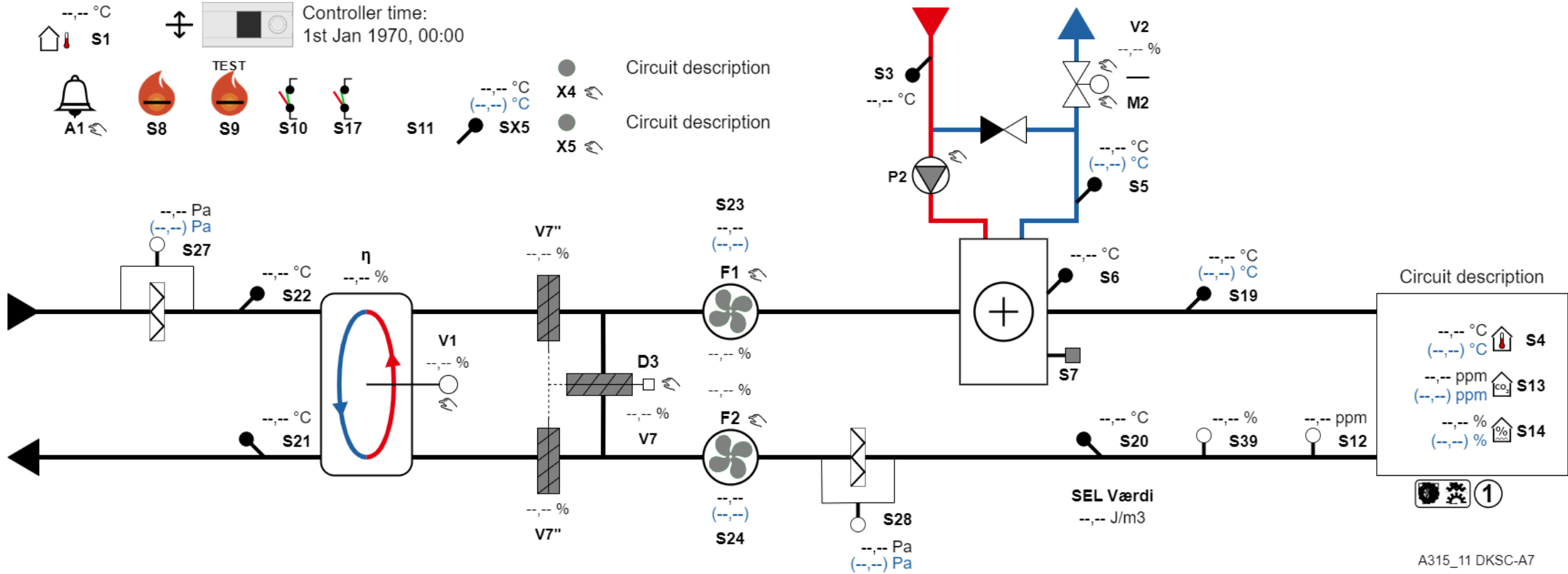
Leanheat® Monitor – A315.11 DKSC-A5



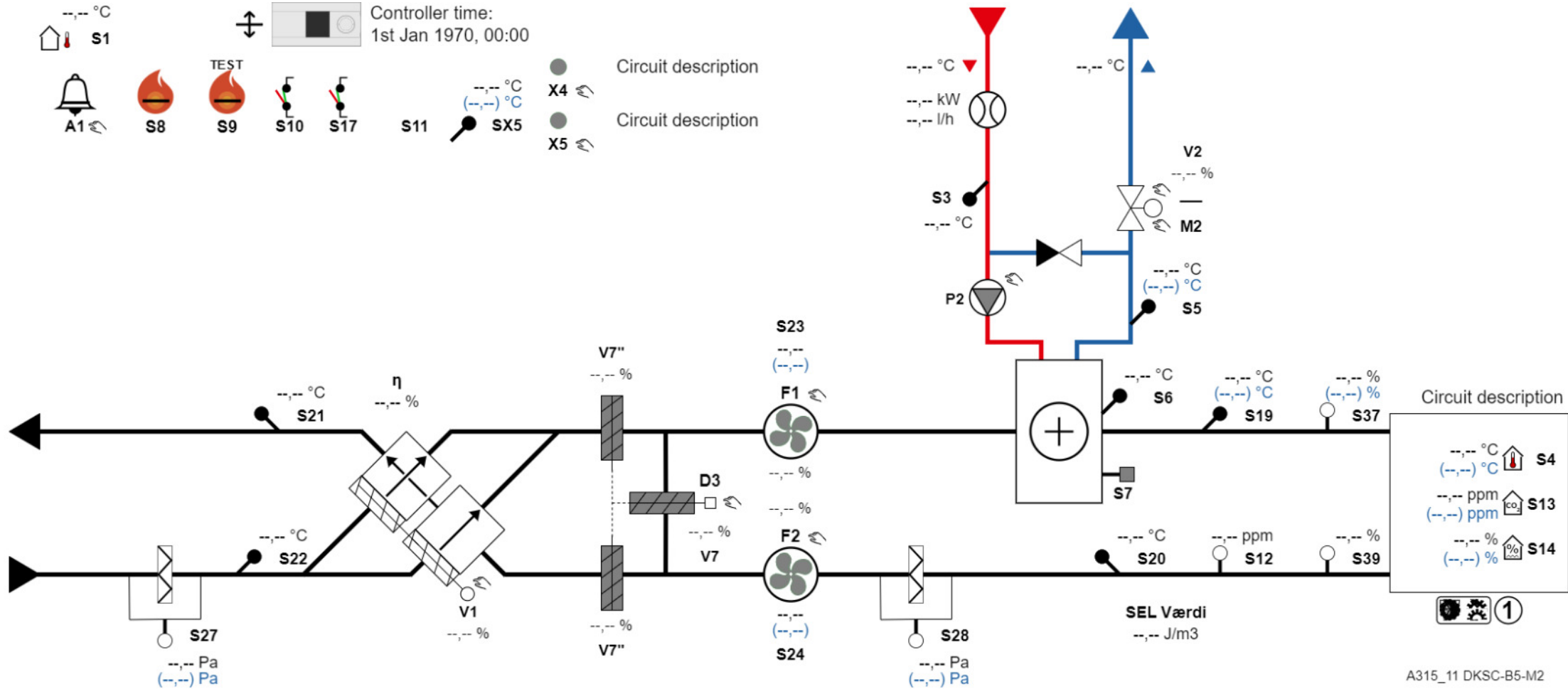
Leanheat® Monitor – A315.11 DKSC-A6-M23



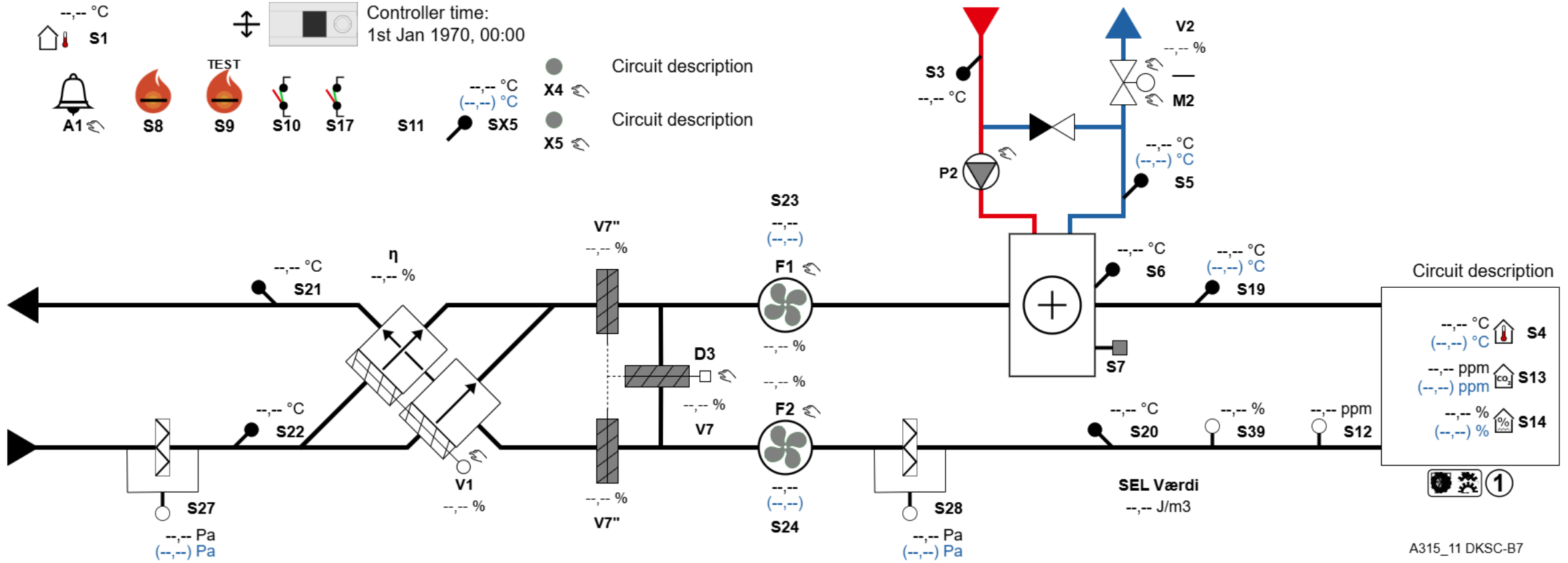
Leanheat® Monitor – A315.11 DKSC-A7



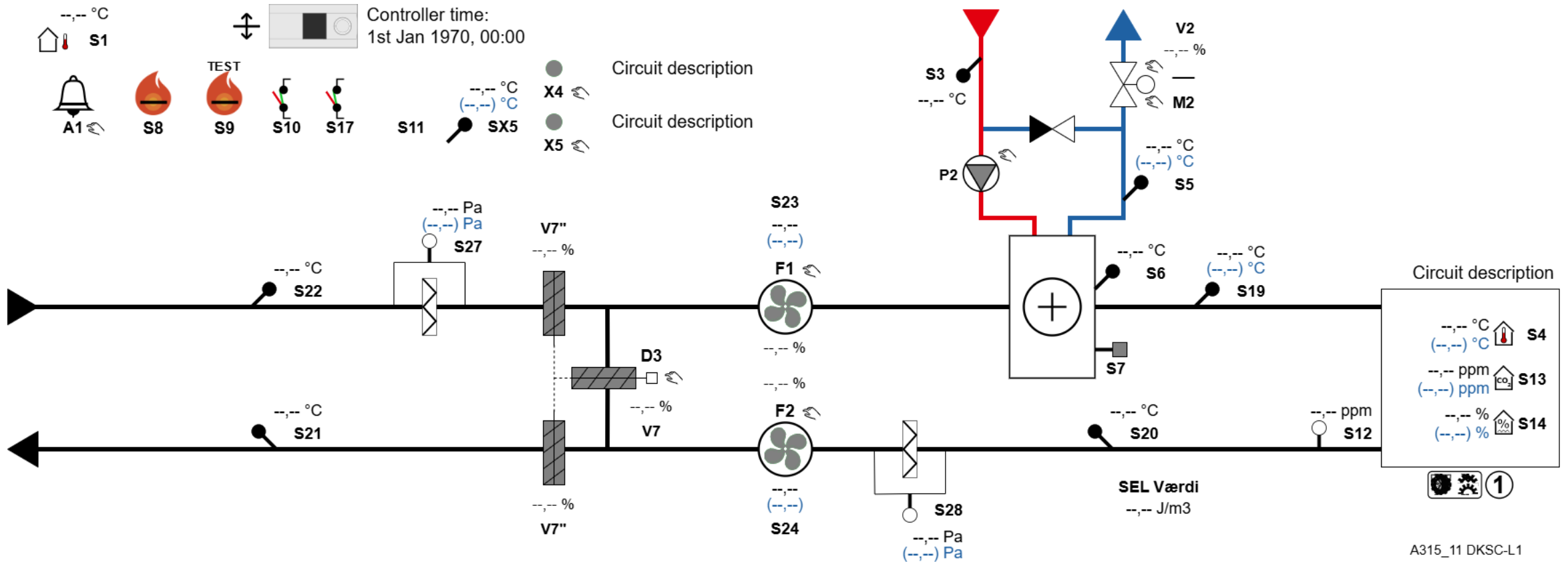
Leanheat® Monitor – A315.11 DKSC-B5-M2



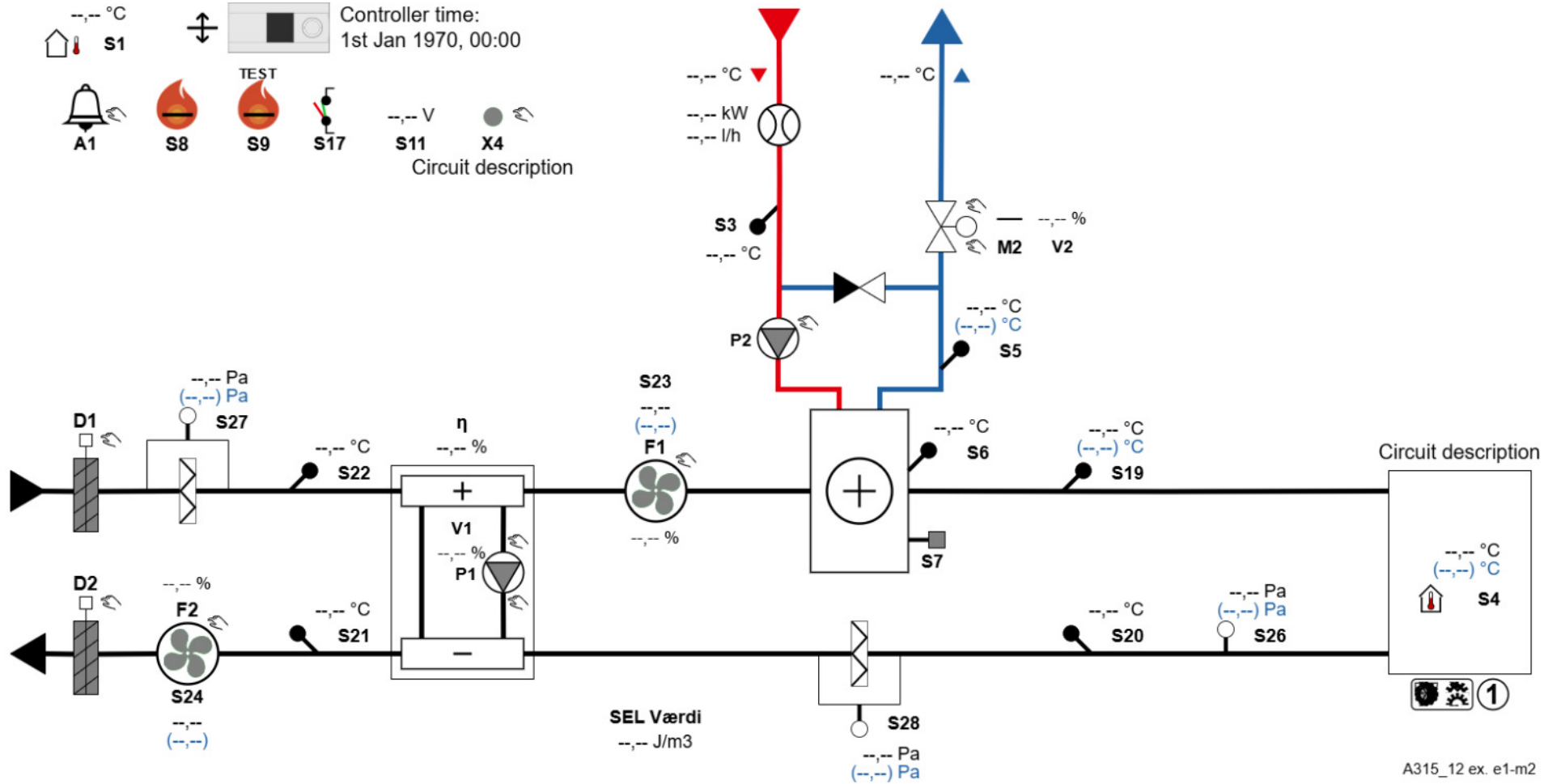
Leanheat® Monitor – A315.11 DKSC-B7



Leanheat® Monitor – A315.11 DKSC-L1



Leanheat® Monitor – A315.12 ex. e1-m2



Leanheat® Monitor – A315.20 DKSC-B

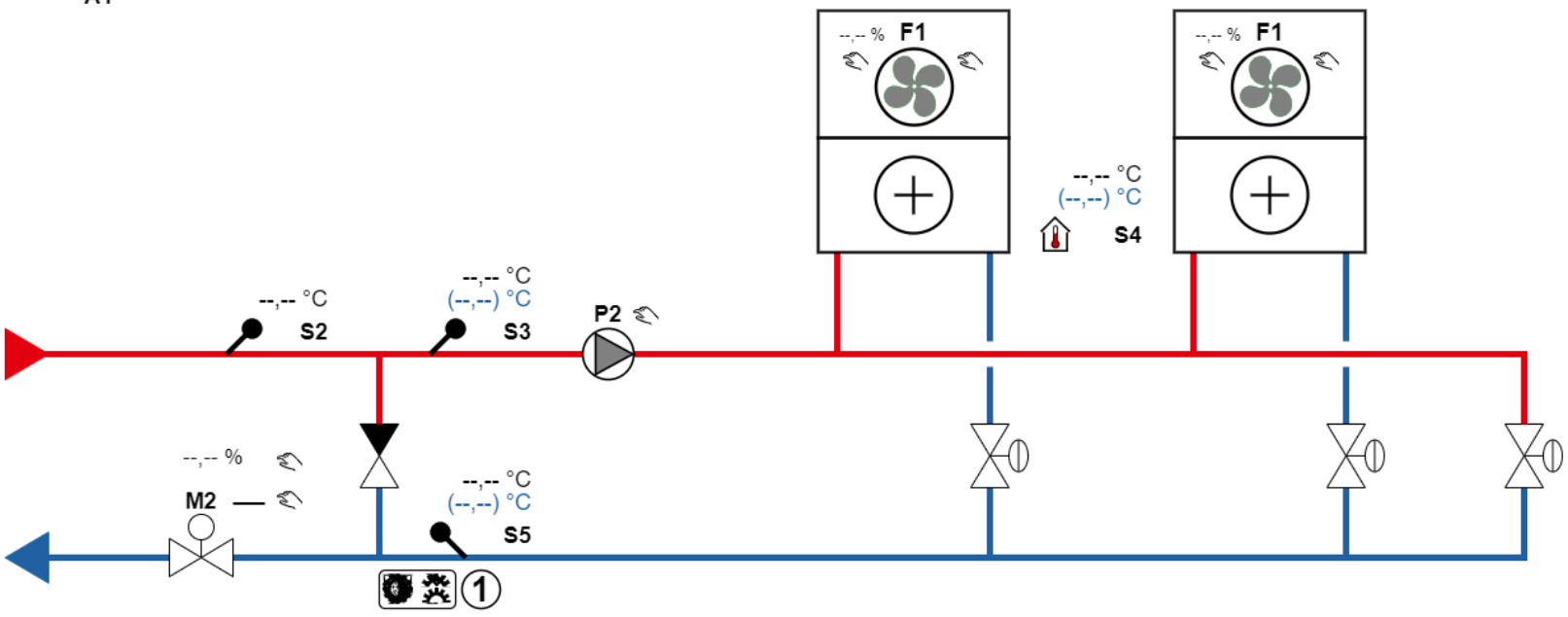



--- °C
S1


 Controller time:
 1st Jan 1970, 00:00


A1

Circuit description



Circuit description


--- °C
(---) °C
SX5

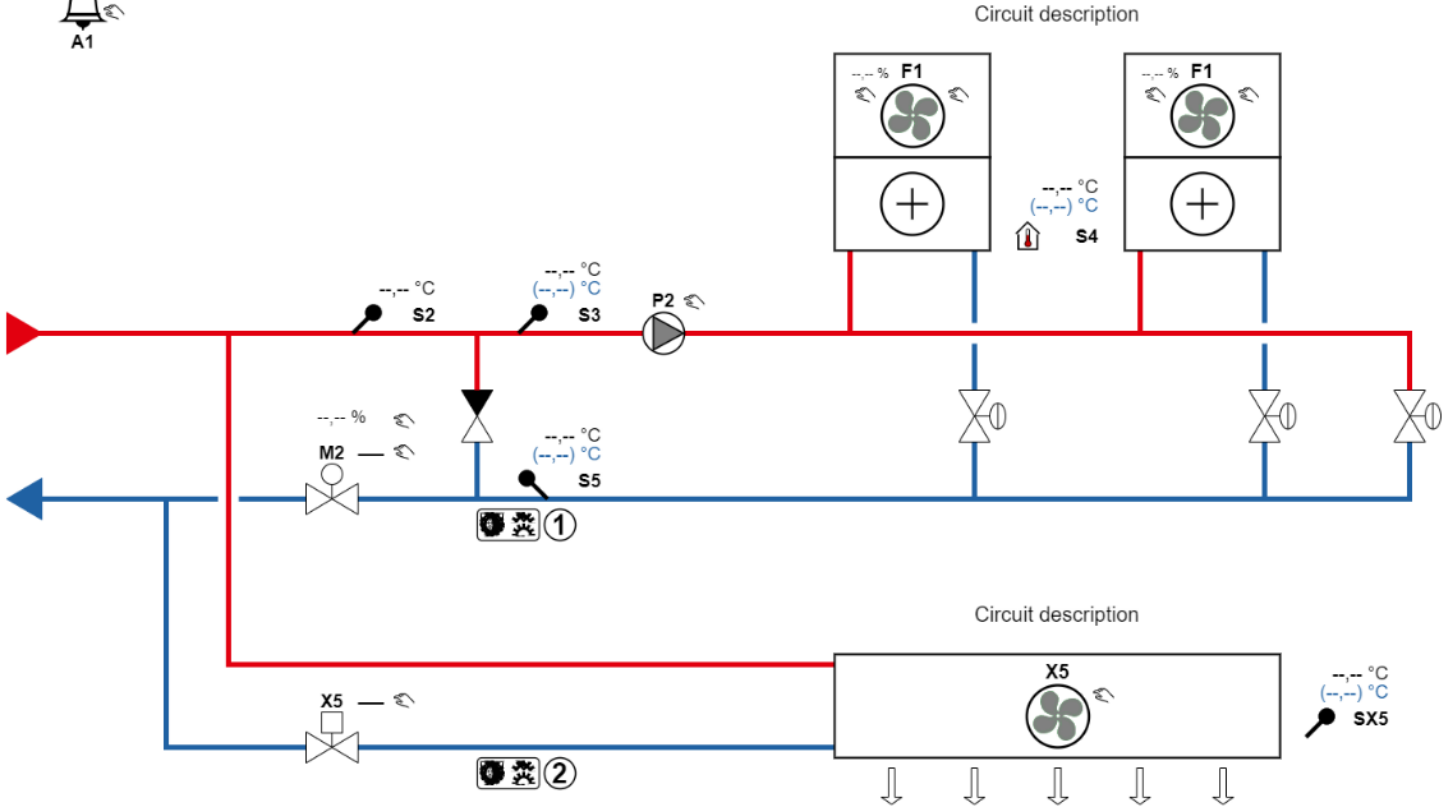

X5

A315 20 DKSC-B

Leanheat® Monitor – A315.20 DKSC-C



°C S1 ↕ Controller time:
1st Jan 1970, 00:00
A1

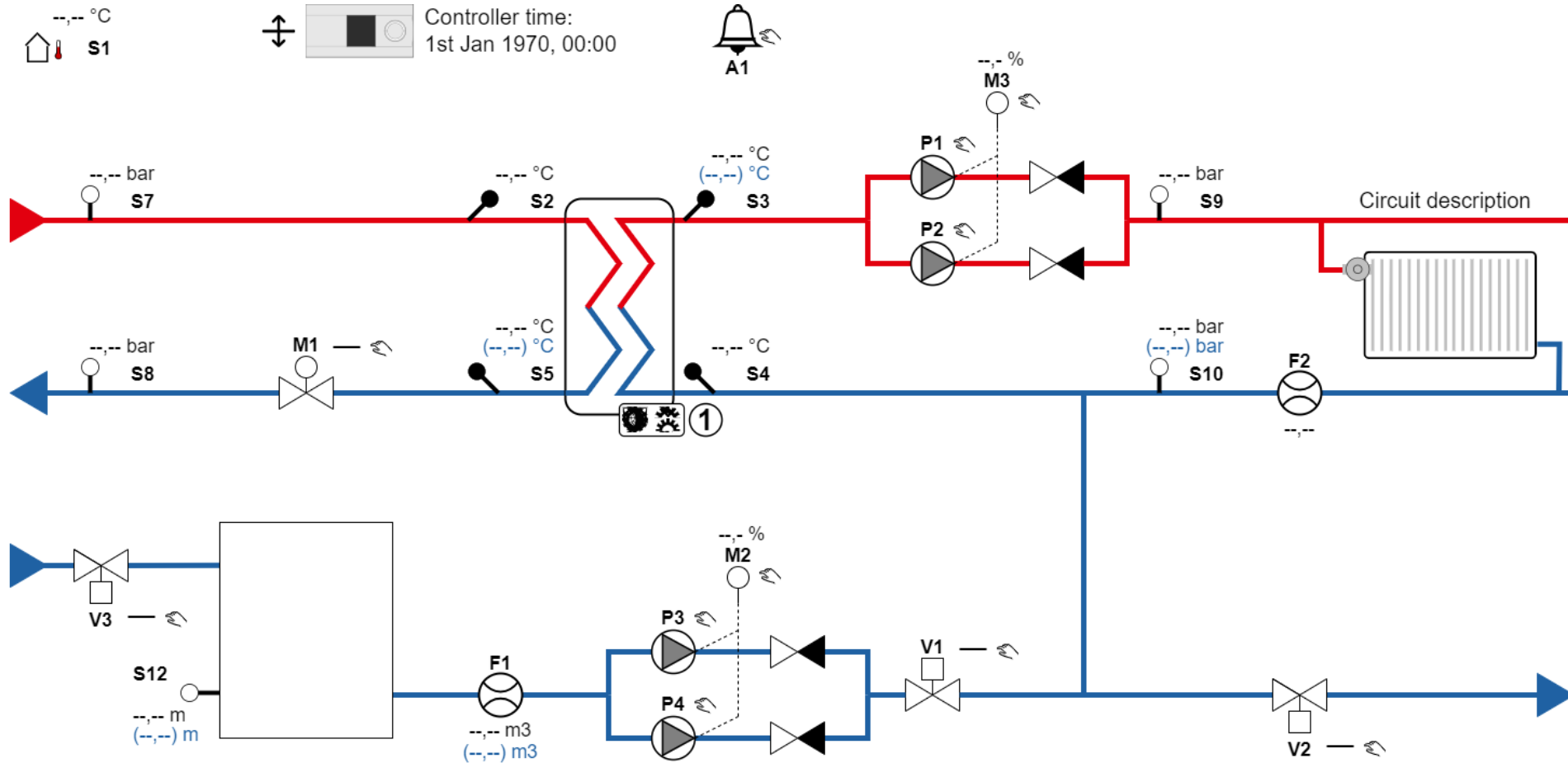


A315 20 DKSC-C

A333

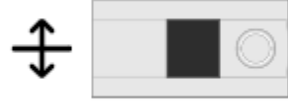
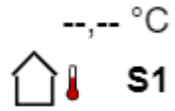


Leanheat® Monitor – A333.2 DKSC-A

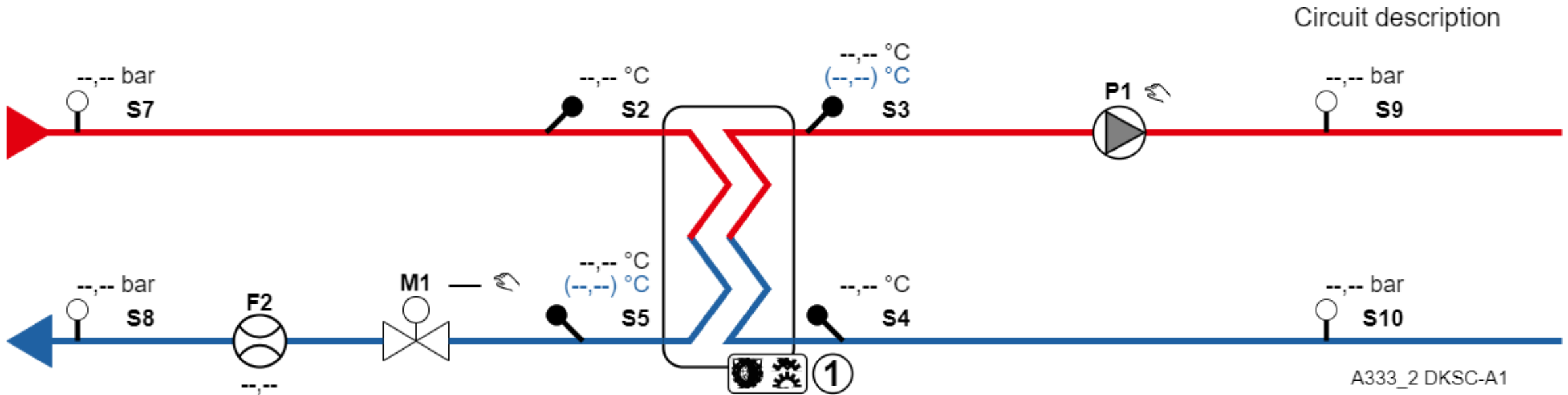


A333 2 DKSC-A

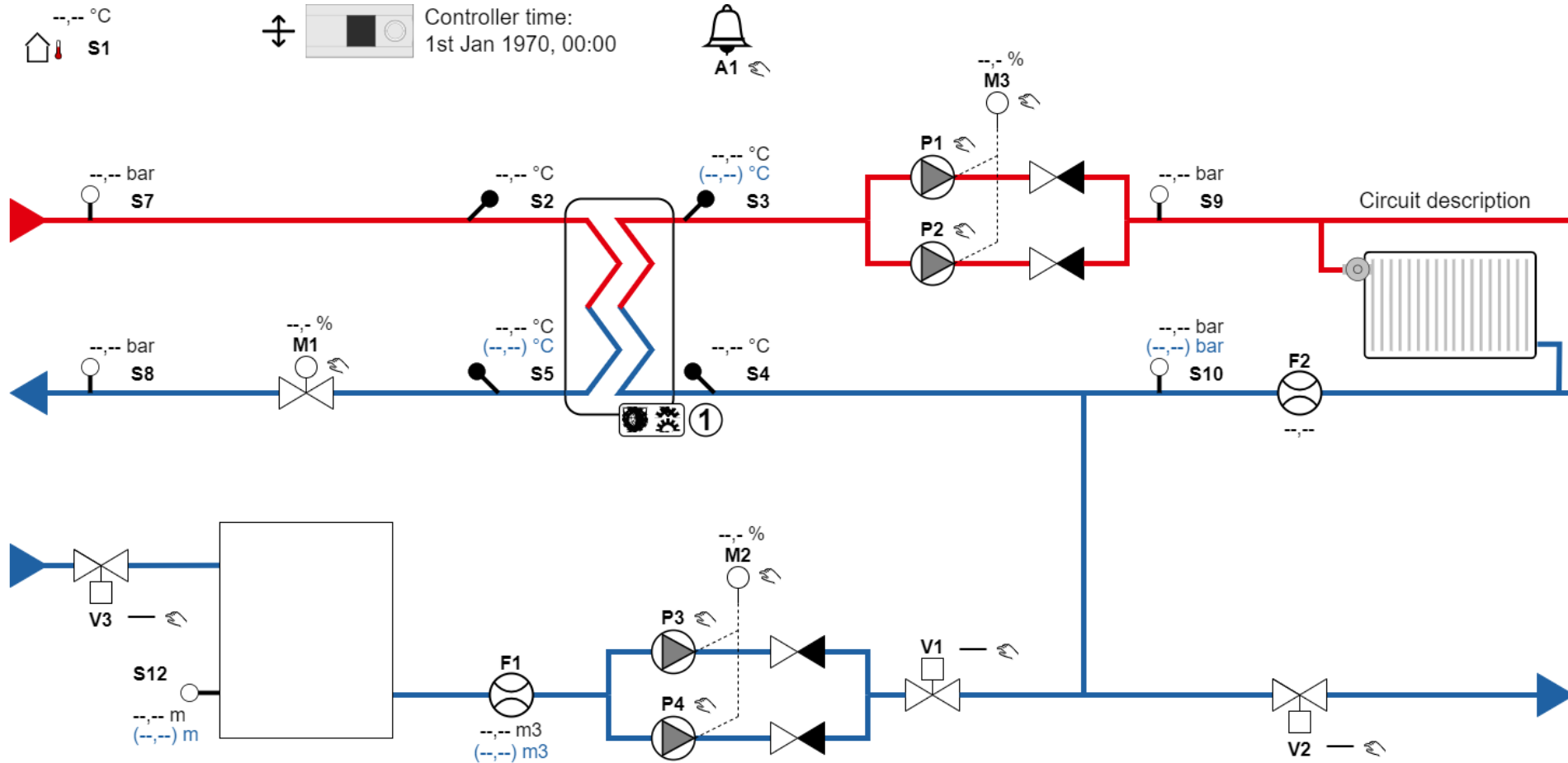
Leanheat® Monitor – A333.2 DKSC-A1



Controller time:
1st Jan 1970, 00:00



Leanheat® Monitor – A333.3 DKSC-A

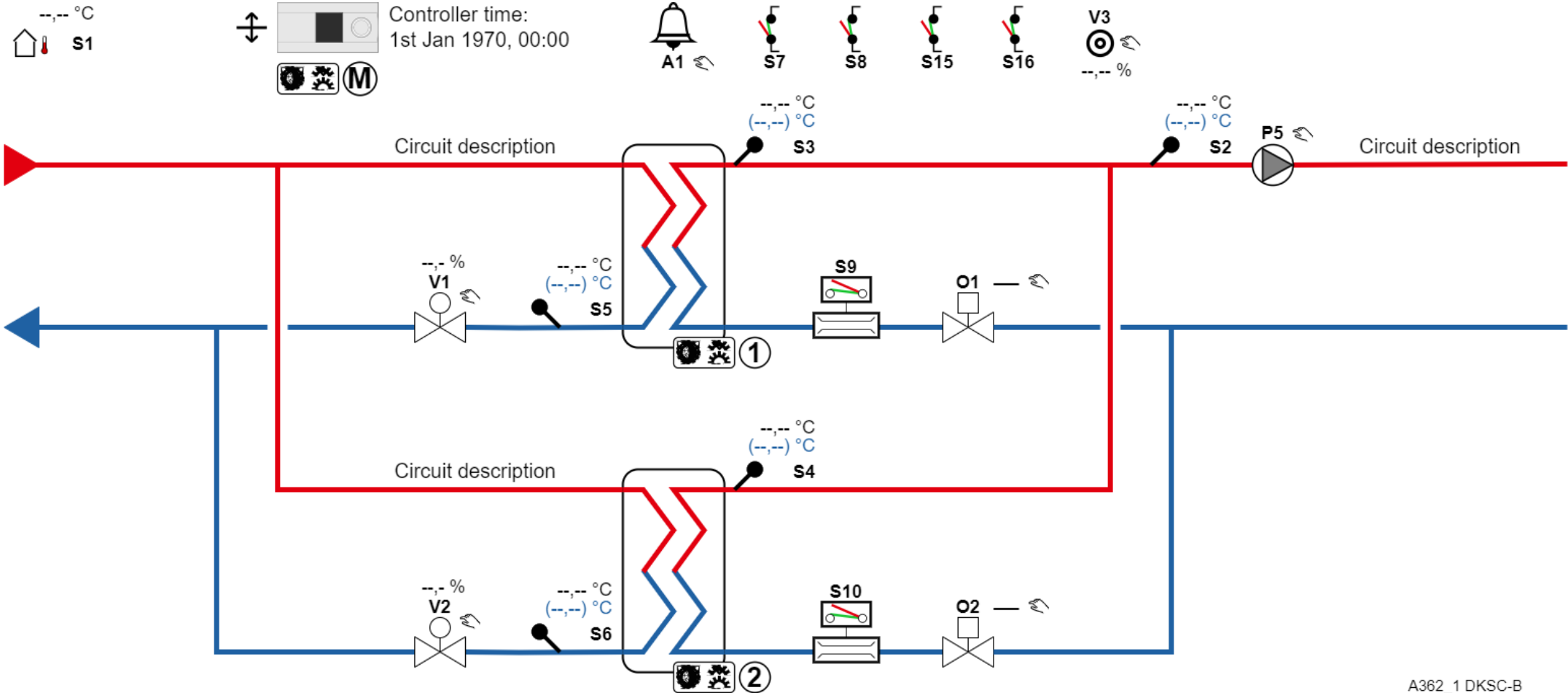


A333 3 DKSC-A

A362

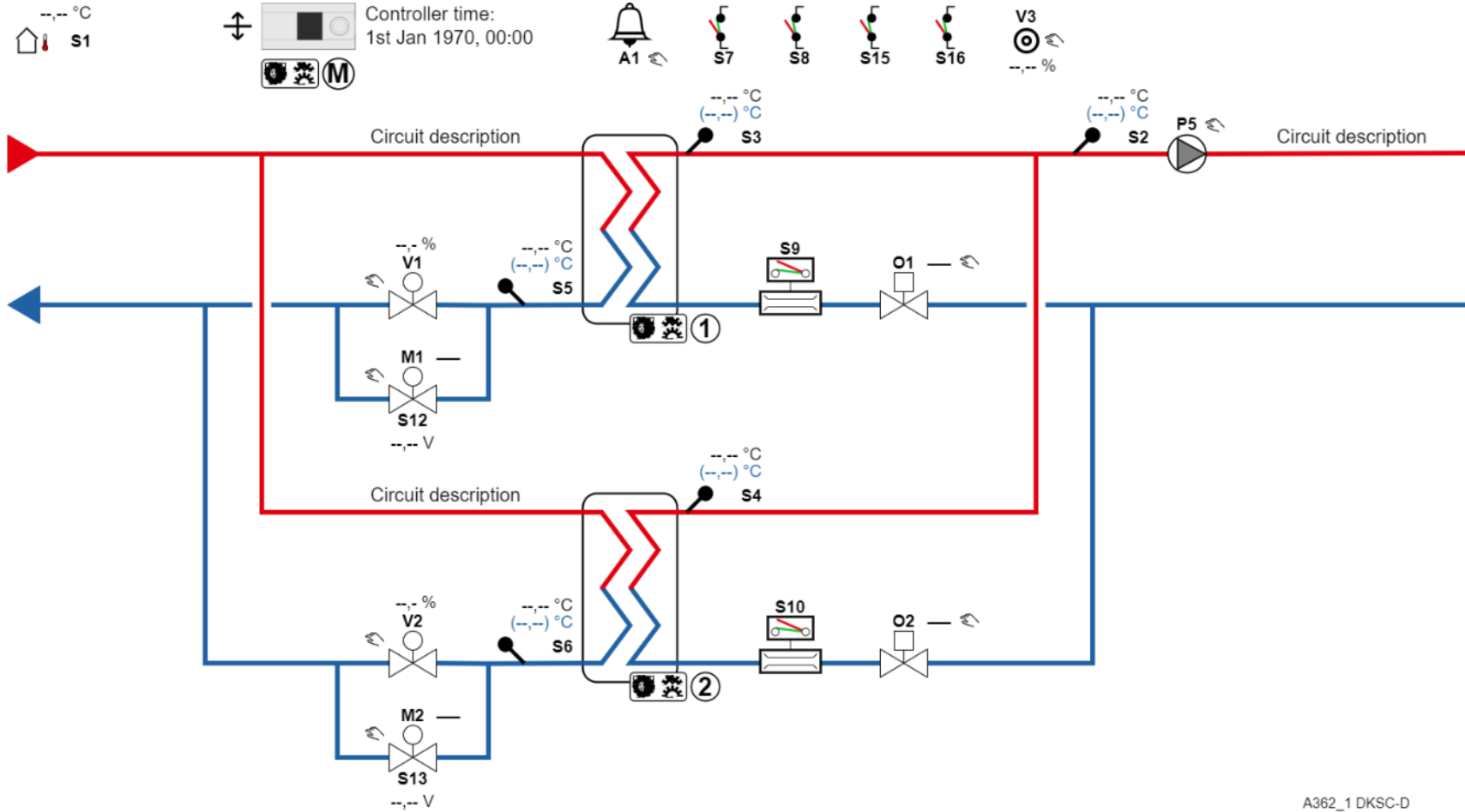


Leanheat® Monitor – A362.1 DKSC-B



A362_1 DKSC-B

Leanheat® Monitor – A362.1 DKSC-D

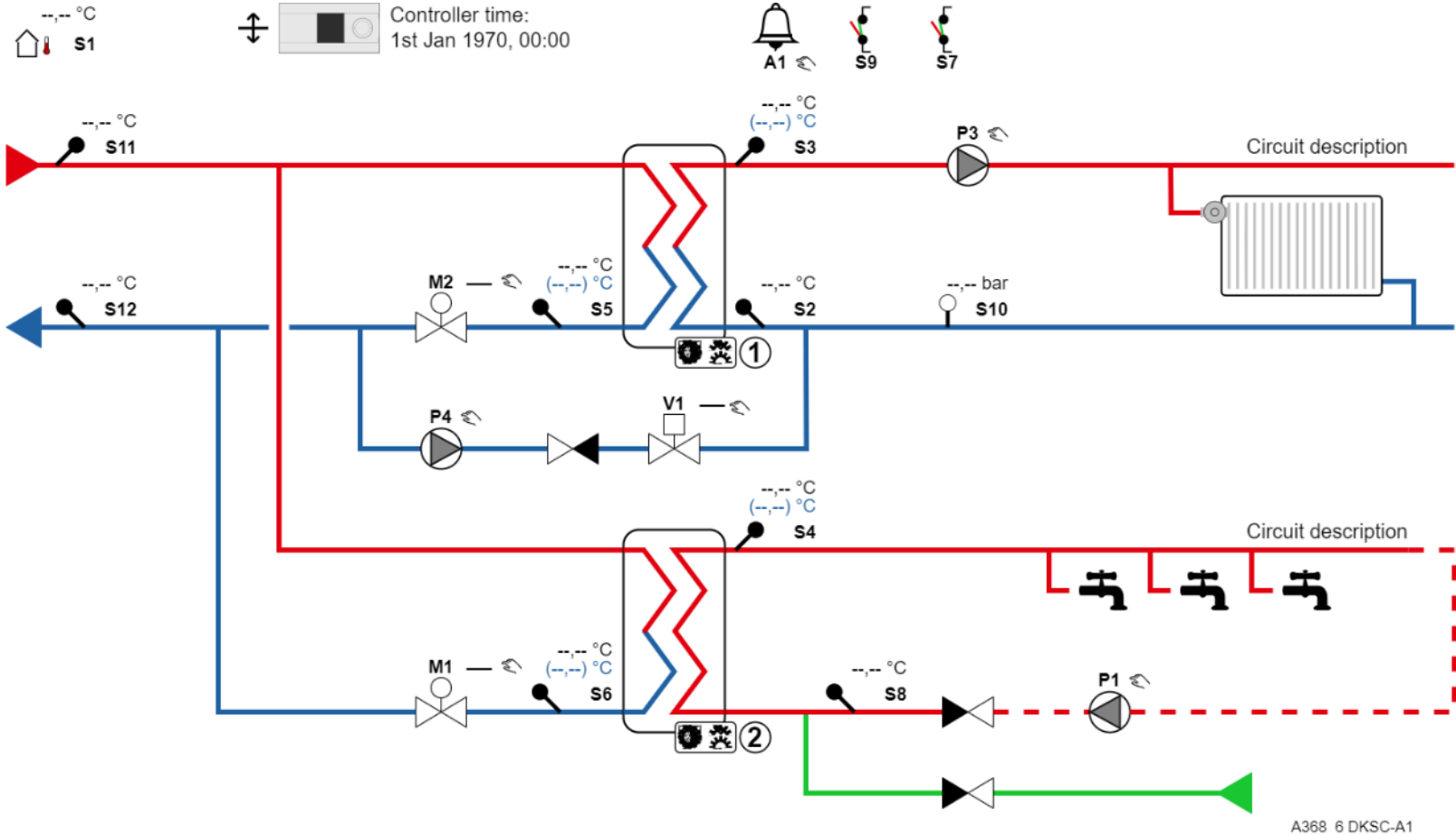


A362_1 DKSC-D

A368



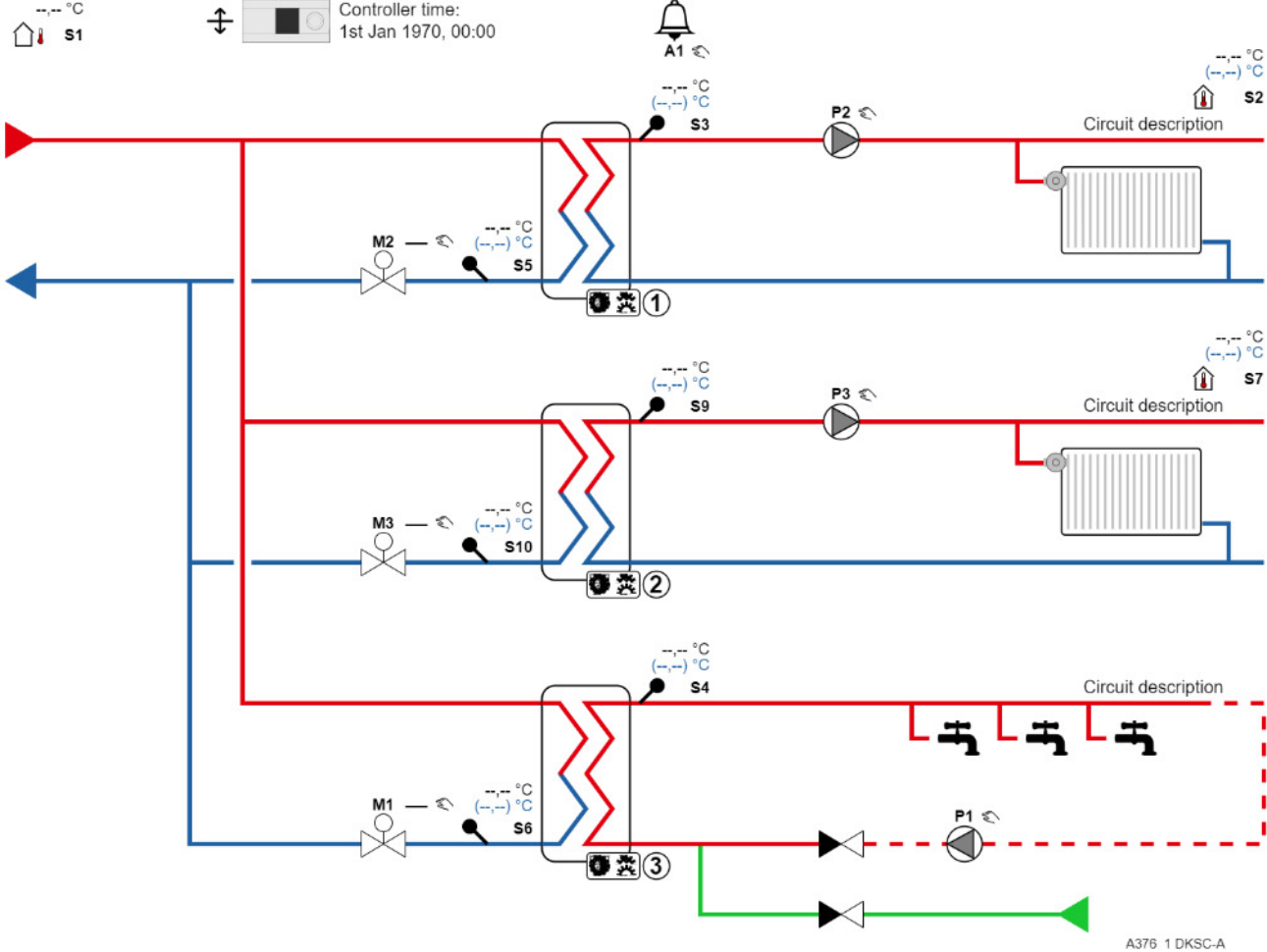
Leanheat[®] Monitor – A368.6 DKSC-A1



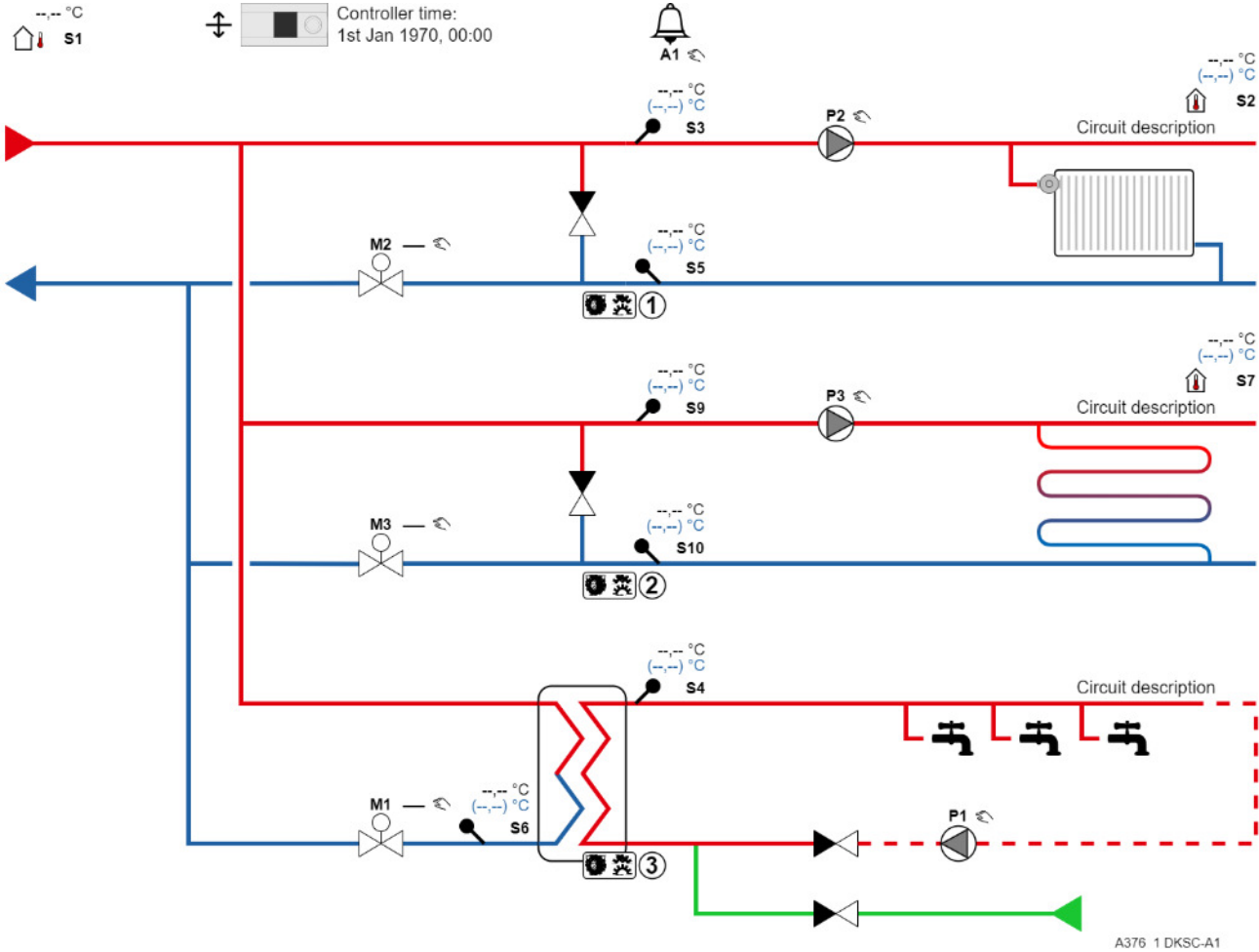
A376



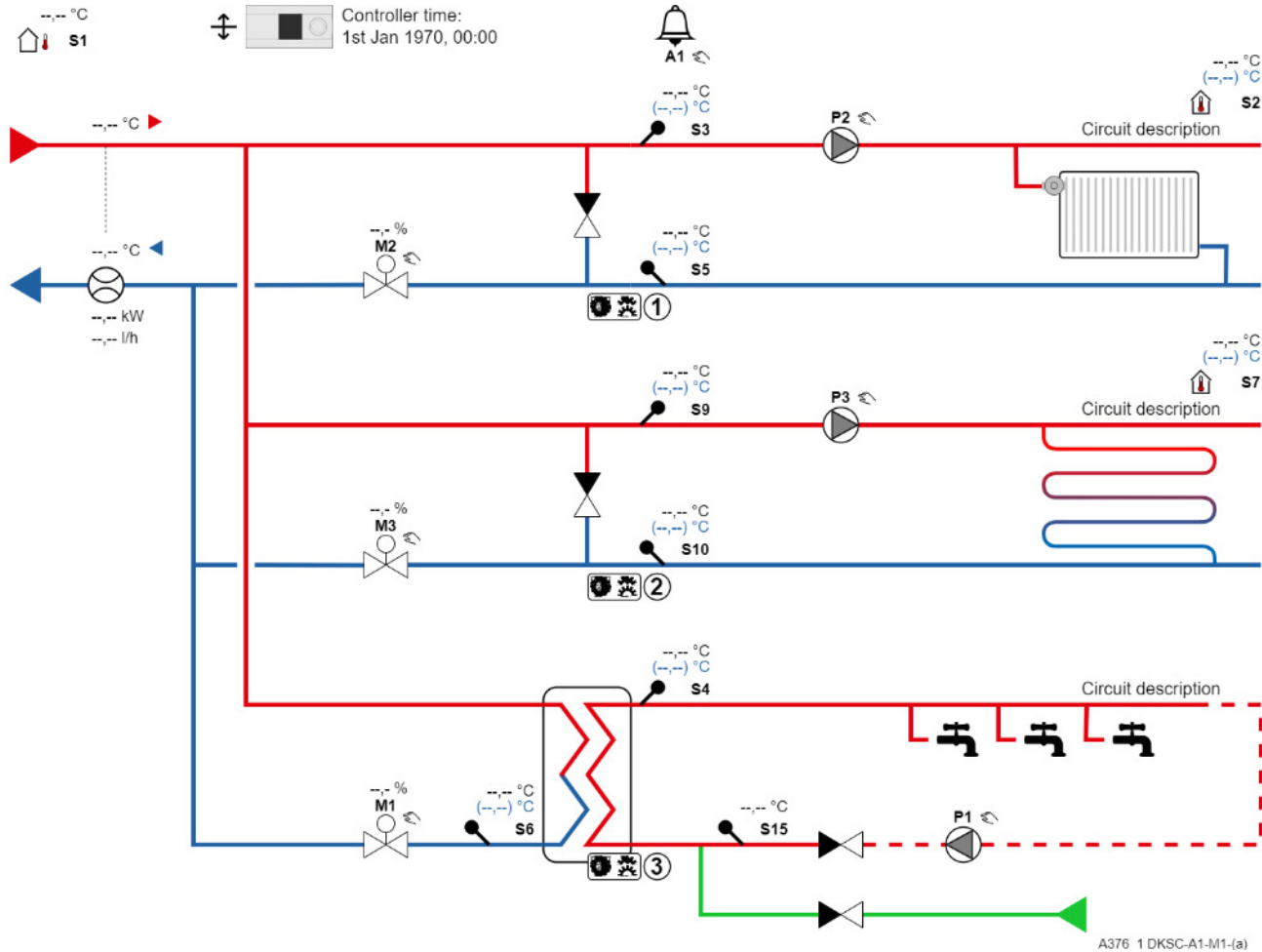
Leanheat[®] Monitor – A376.1 DKSC-A



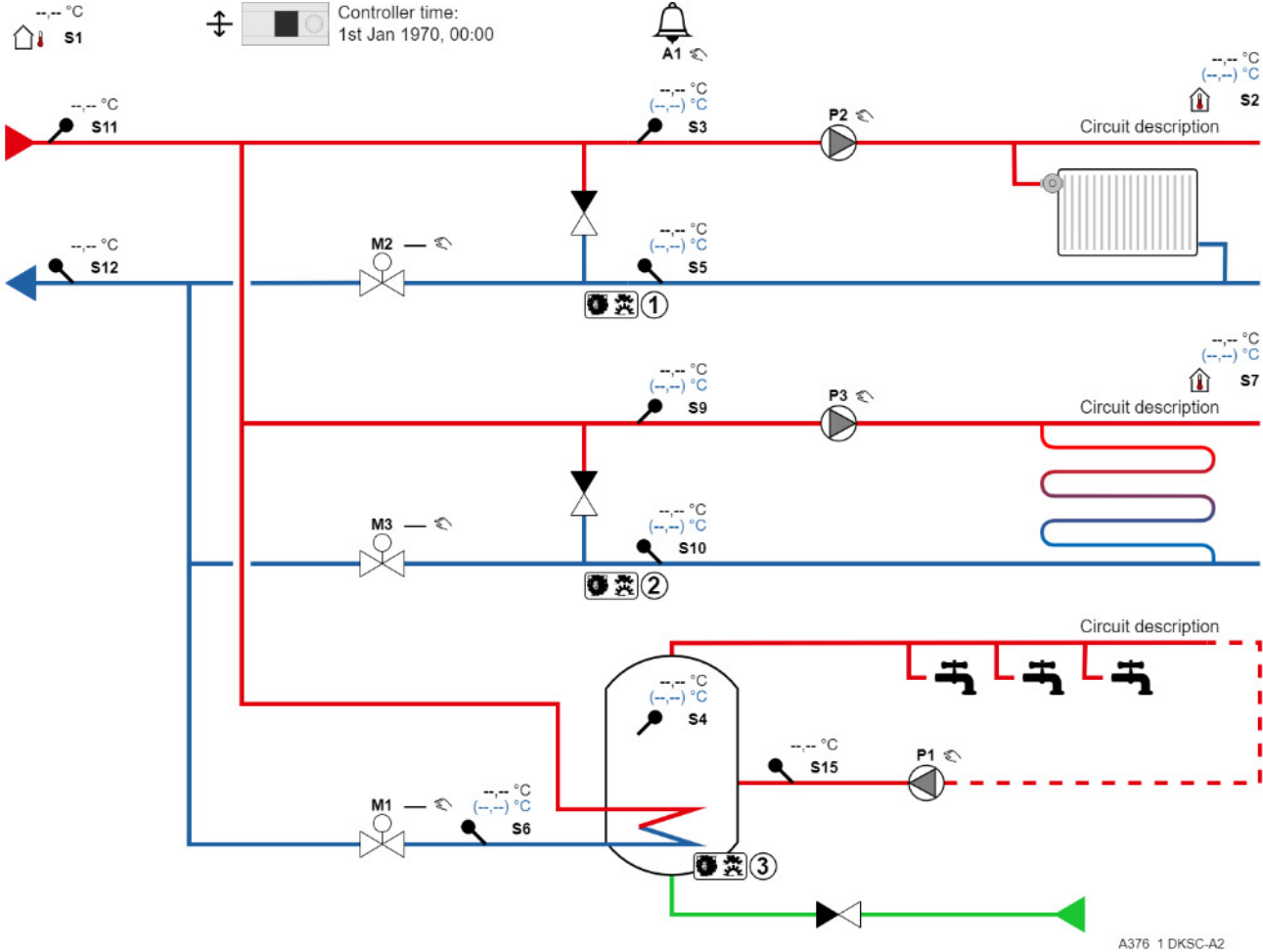
Leanheat® Monitor – A376.1 DKSC-A1



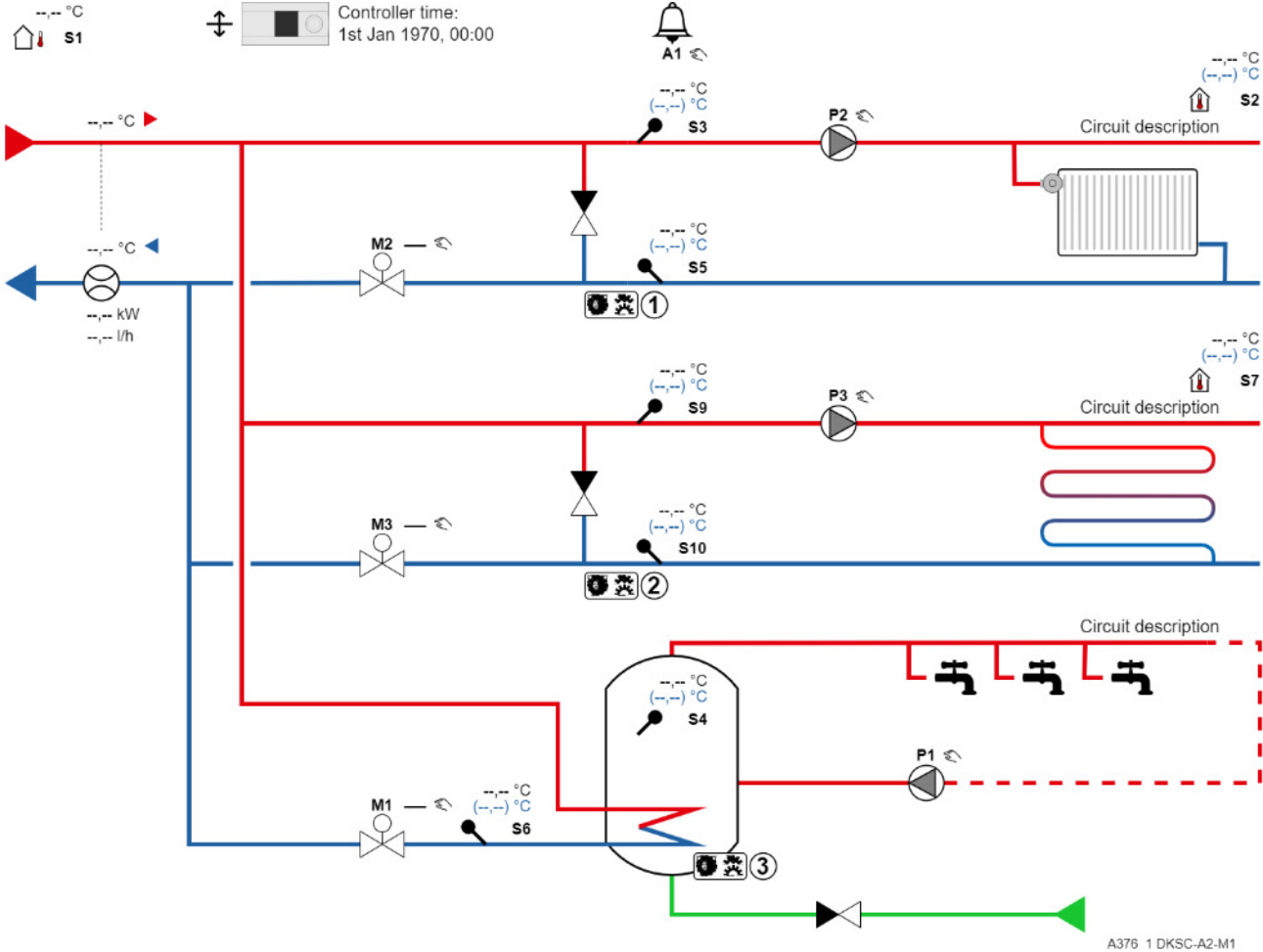
Leanheat[®] Monitor – A376.1 DKSC-A1-M1-(a)



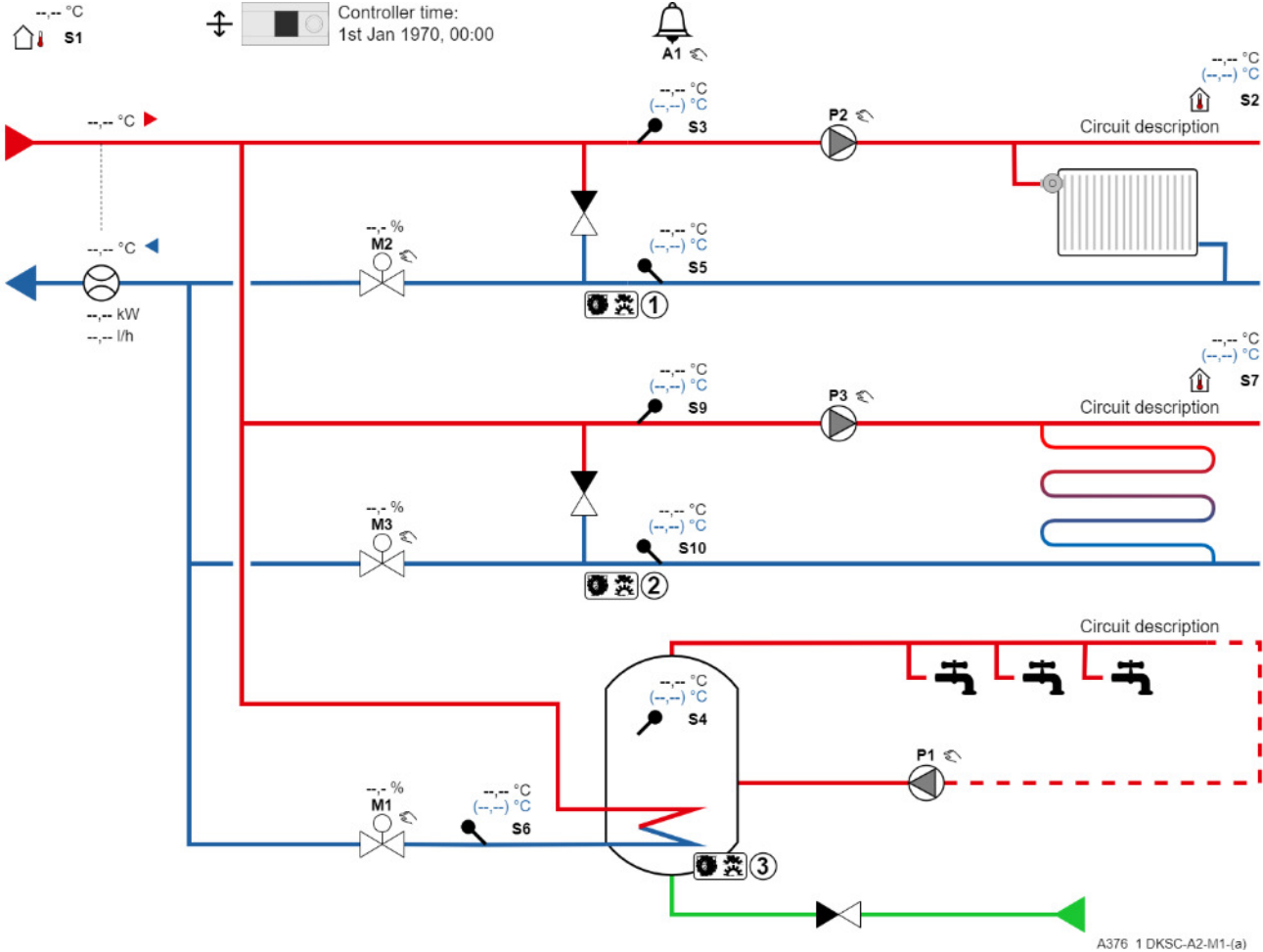
Leanheat® Monitor – A376.1 DKSC-A2



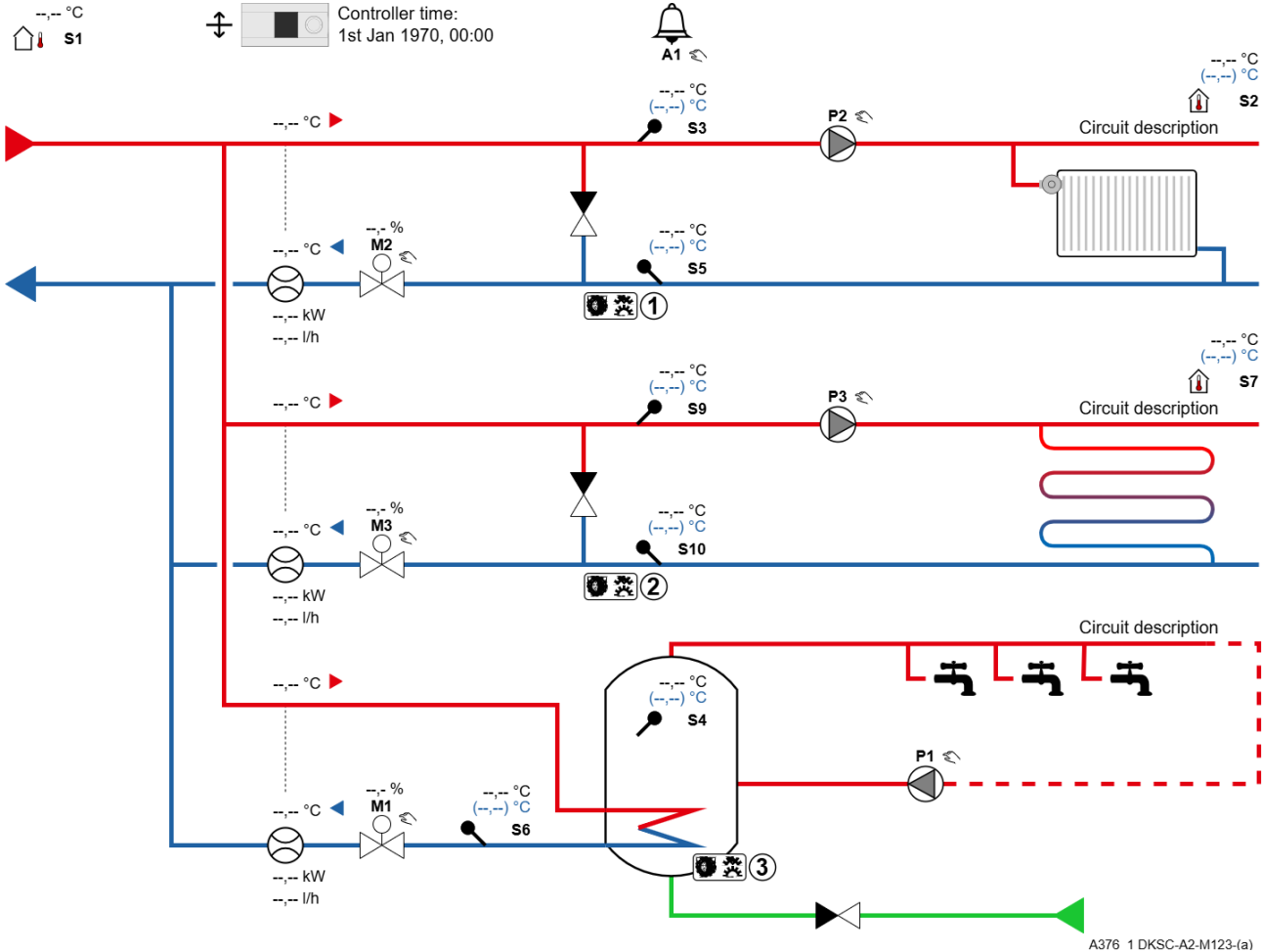
Leanheat® Monitor – A376.1 DKSC-A2-M1



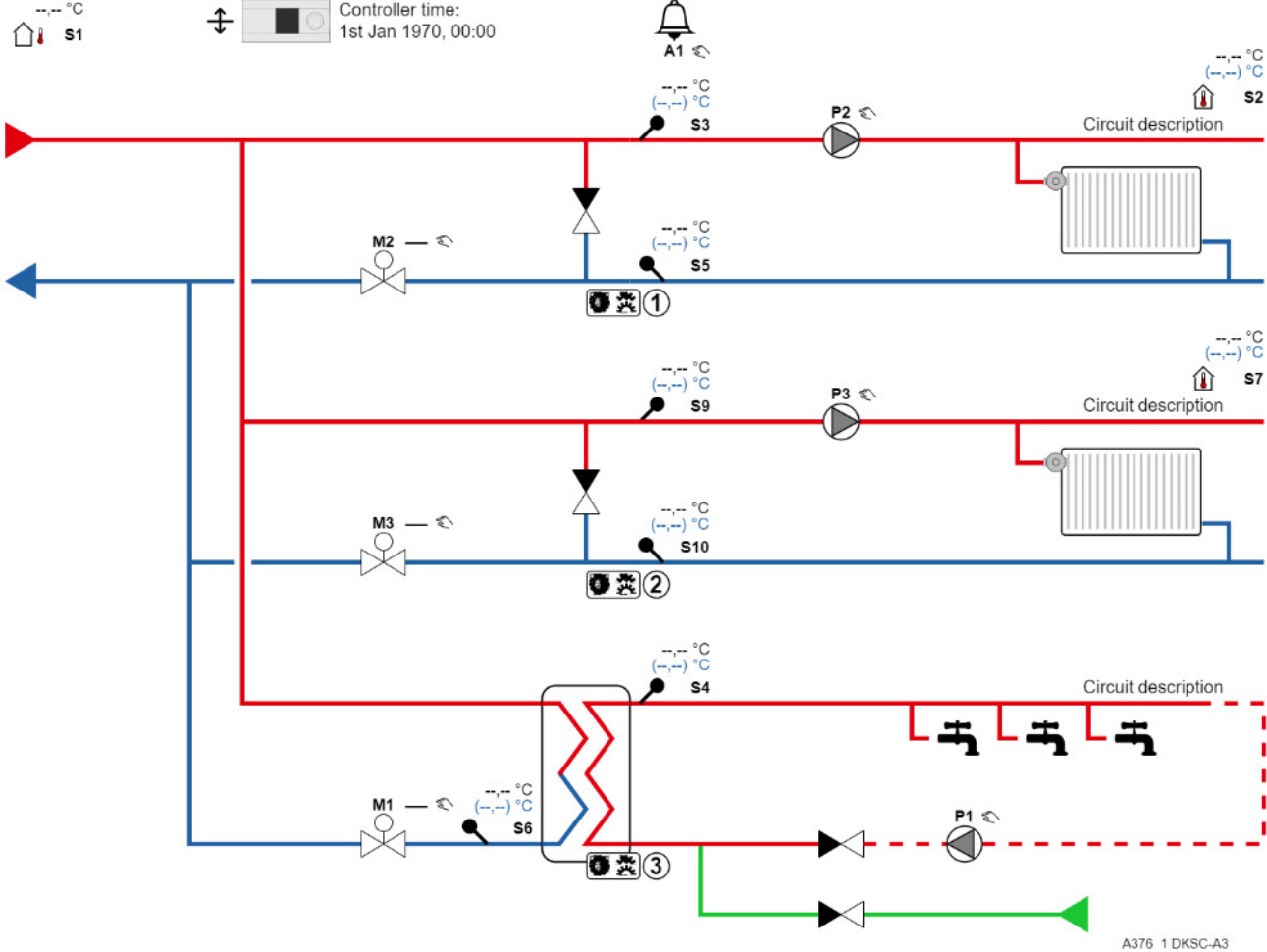
Leanheat[®] Monitor – A376.1 DKSC-A2-M1-(a)



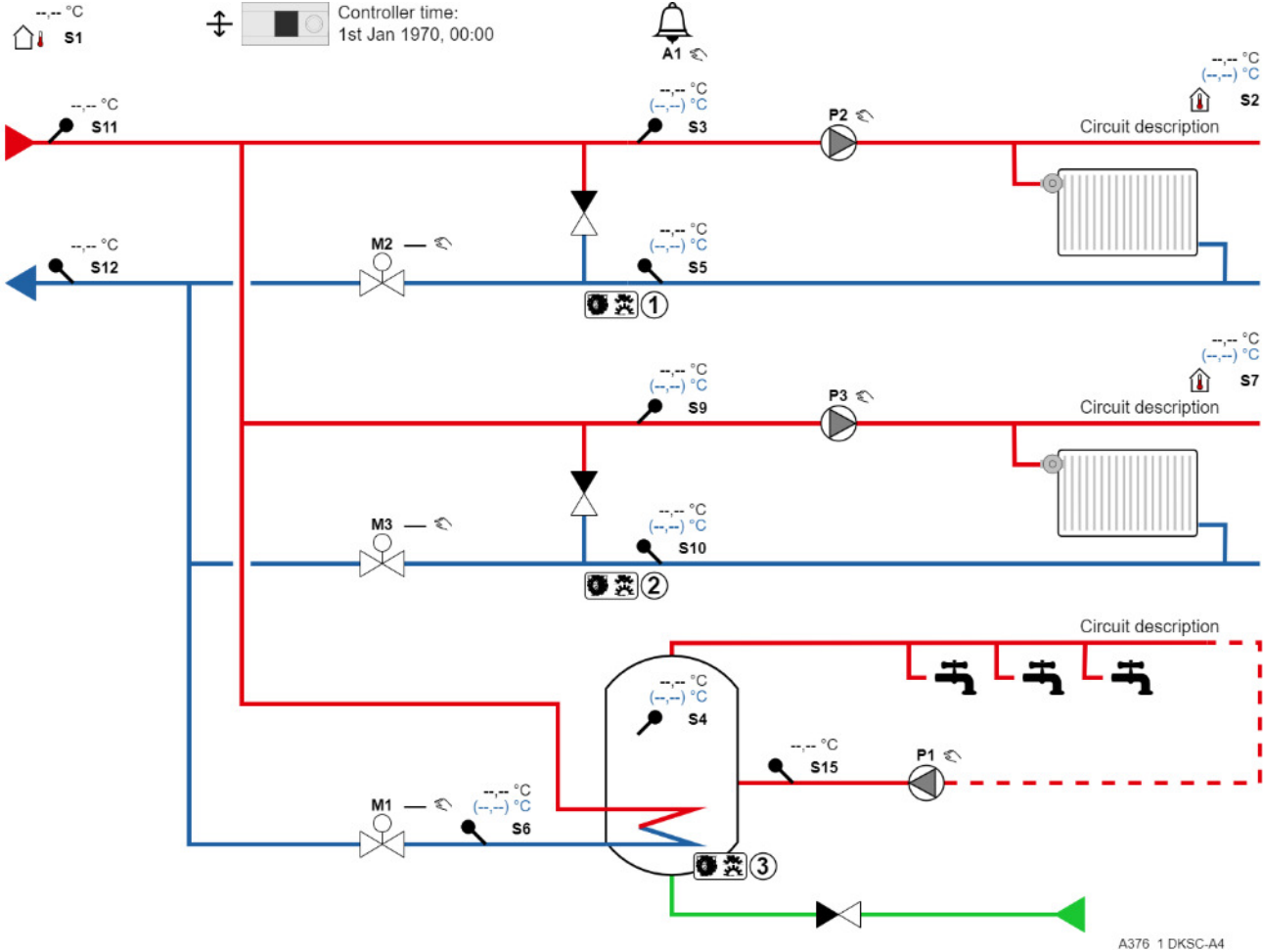
Leanheat[®] Monitor – A376.1 DKSC-A2-M123-(a)



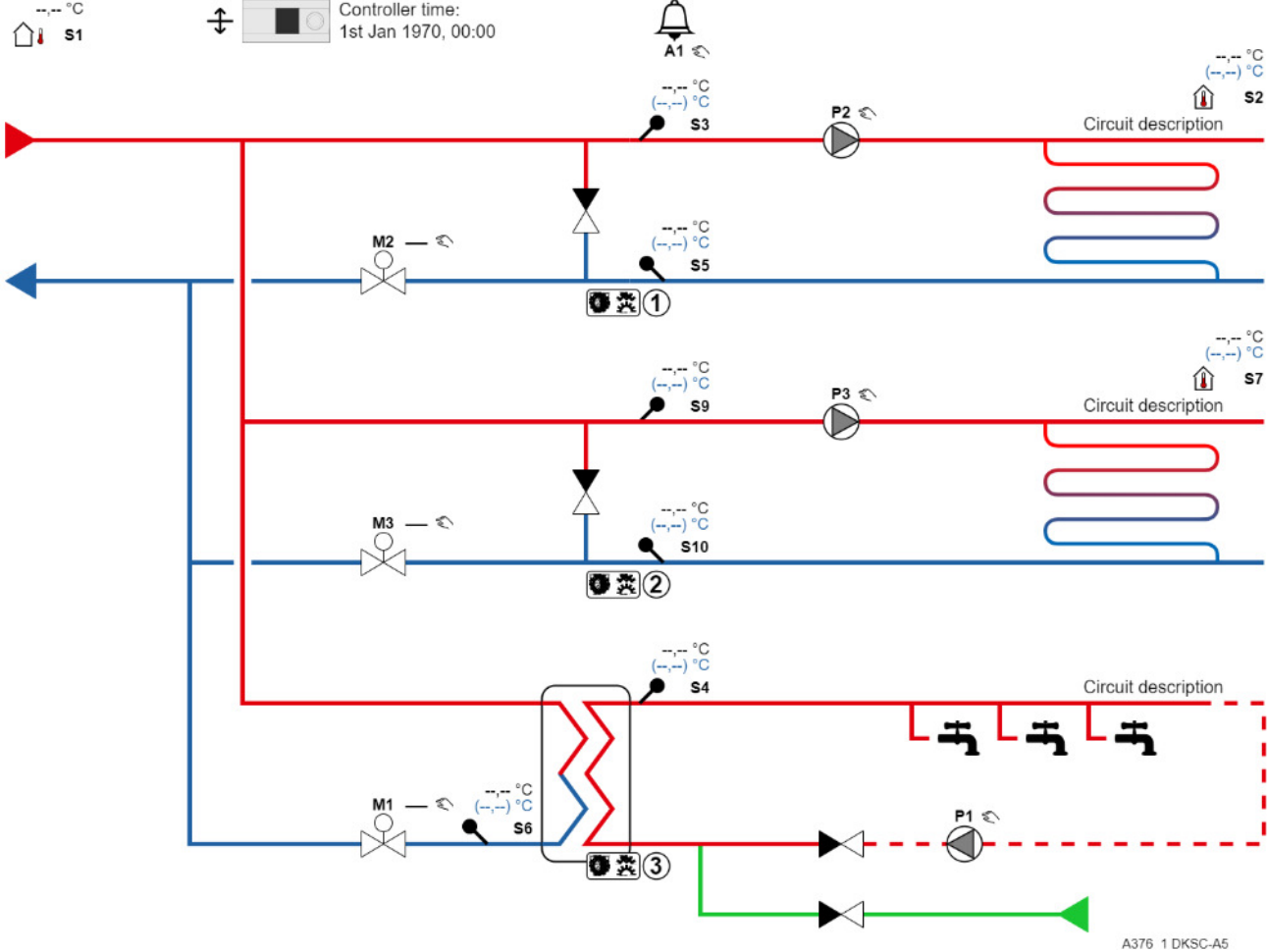
Leanheat® Monitor – A376.1 DKSC-A3



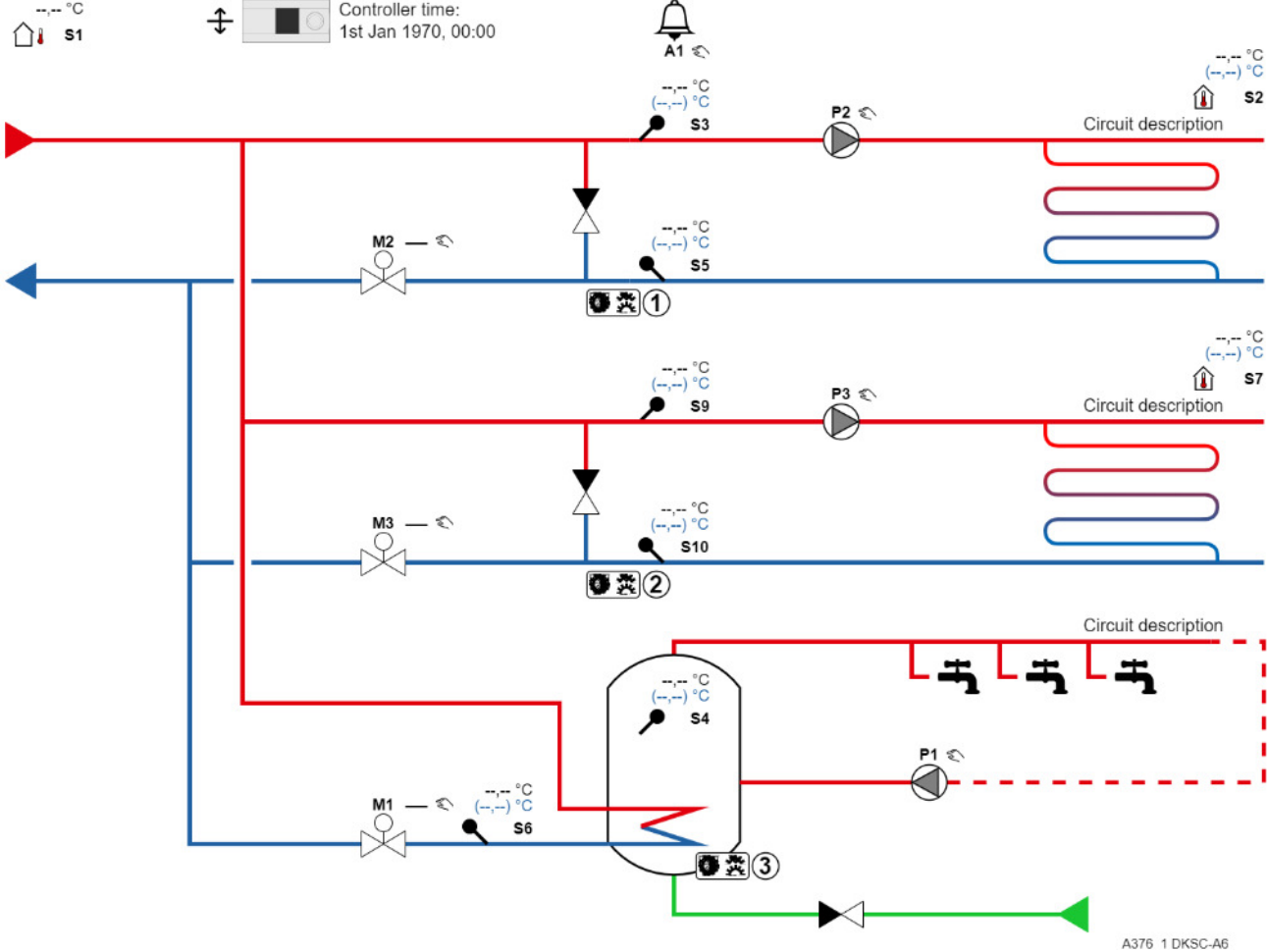
Leanheat® Monitor – A376.1 DKSC-A4



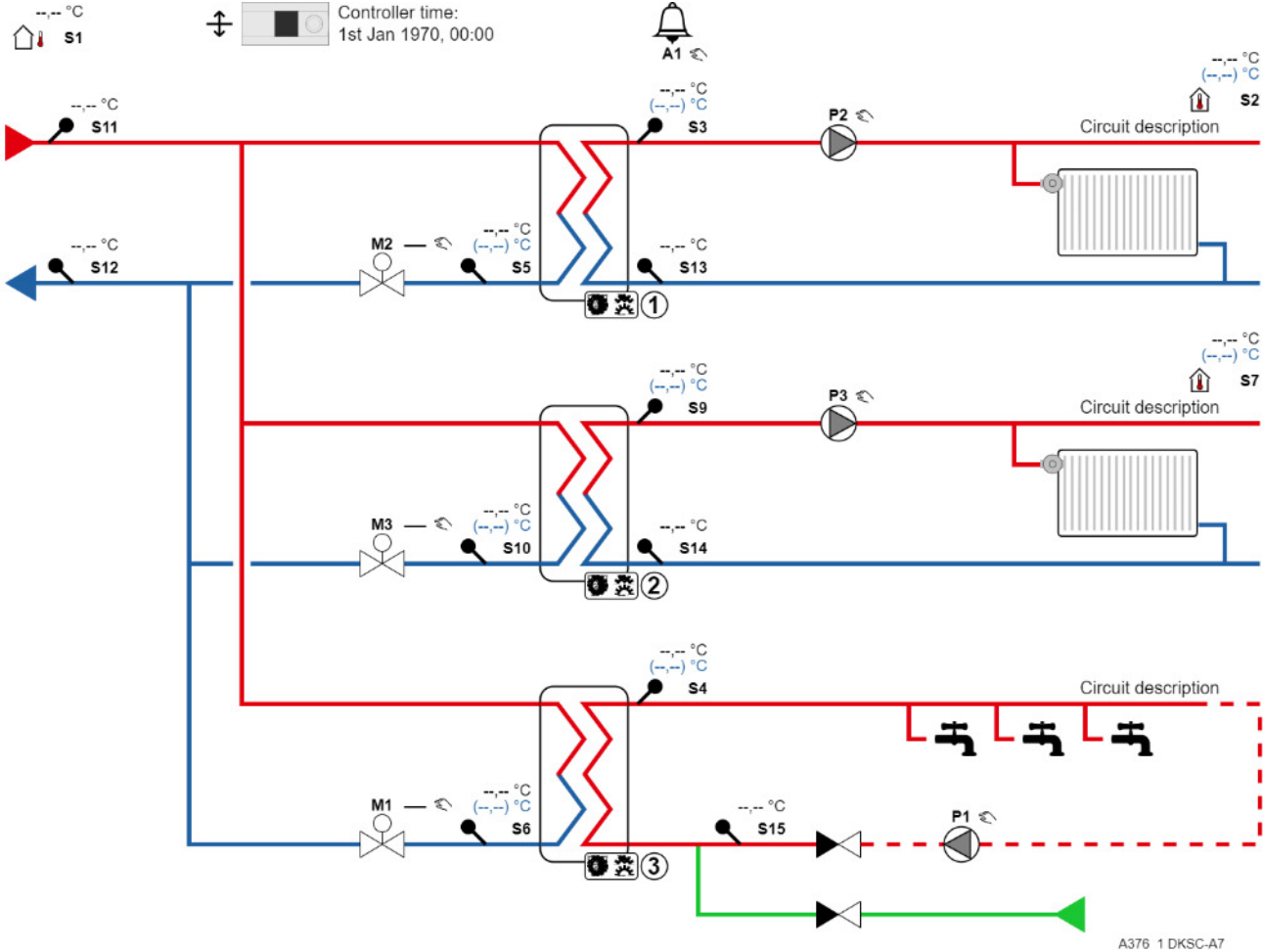
Leanheat[®] Monitor – A376.1 DKSC-A5



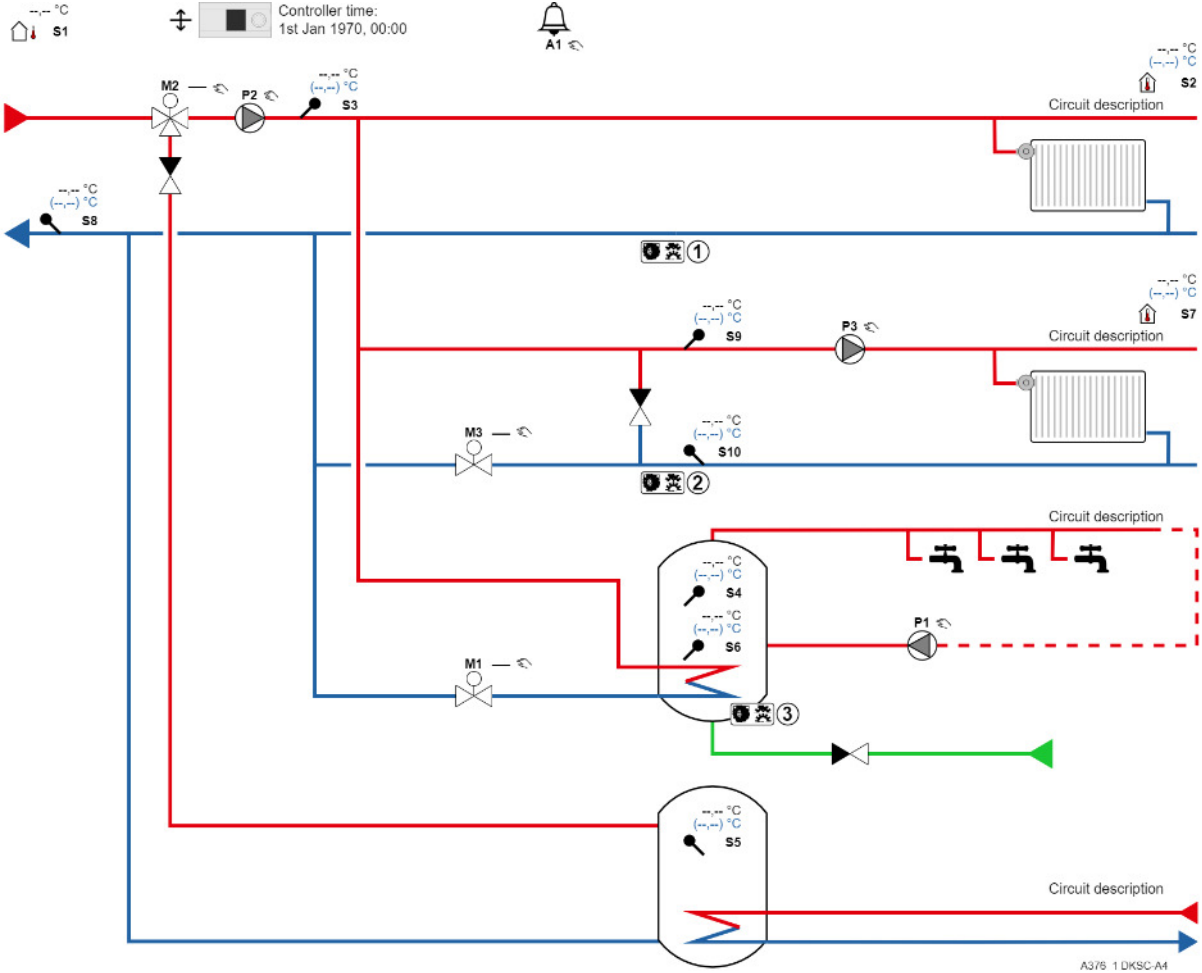
Leanheat[®] Monitor – A376.1 DKSC-A6



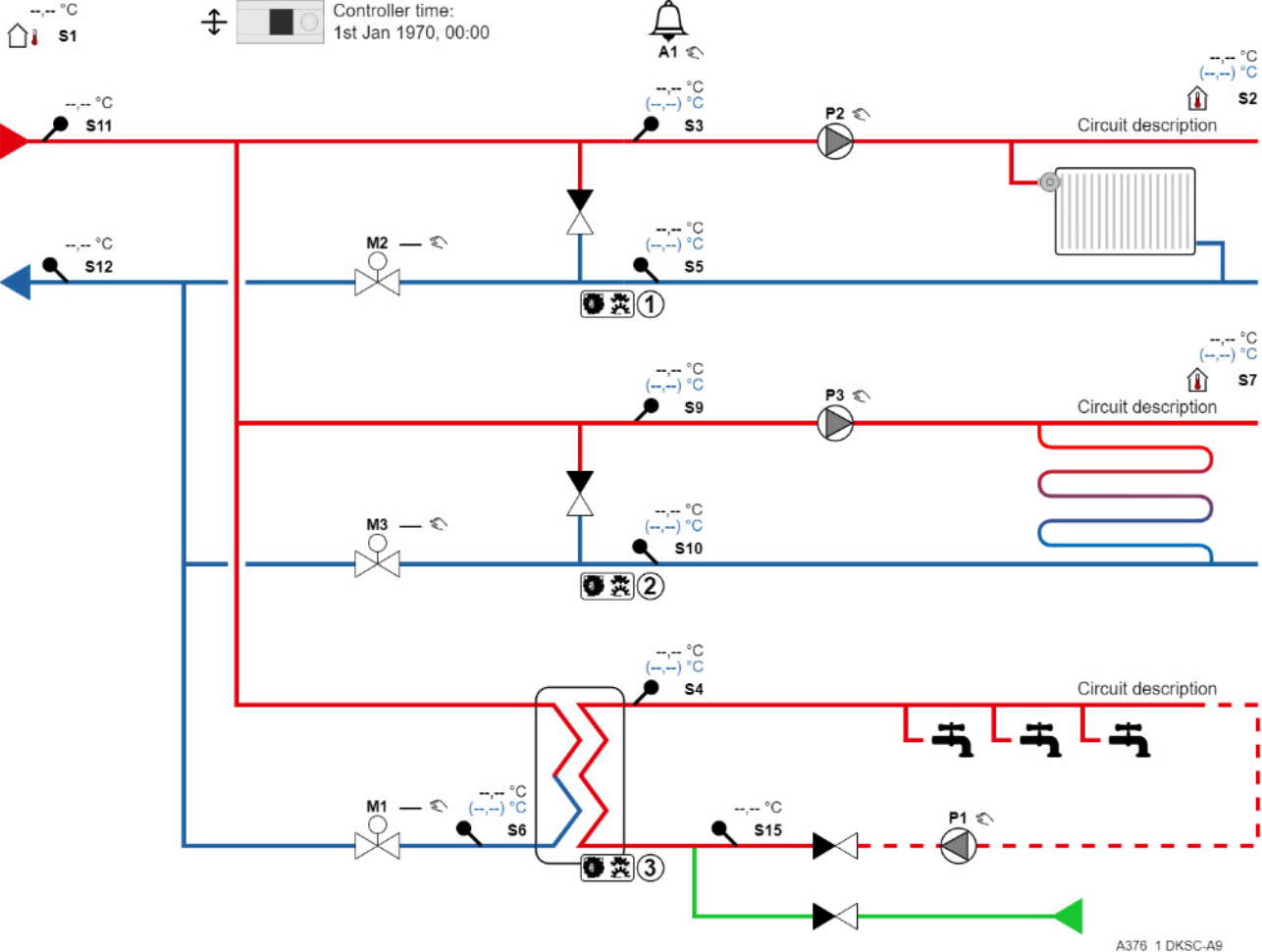
Leanheat[®] Monitor – A376.1 DKSC-A7



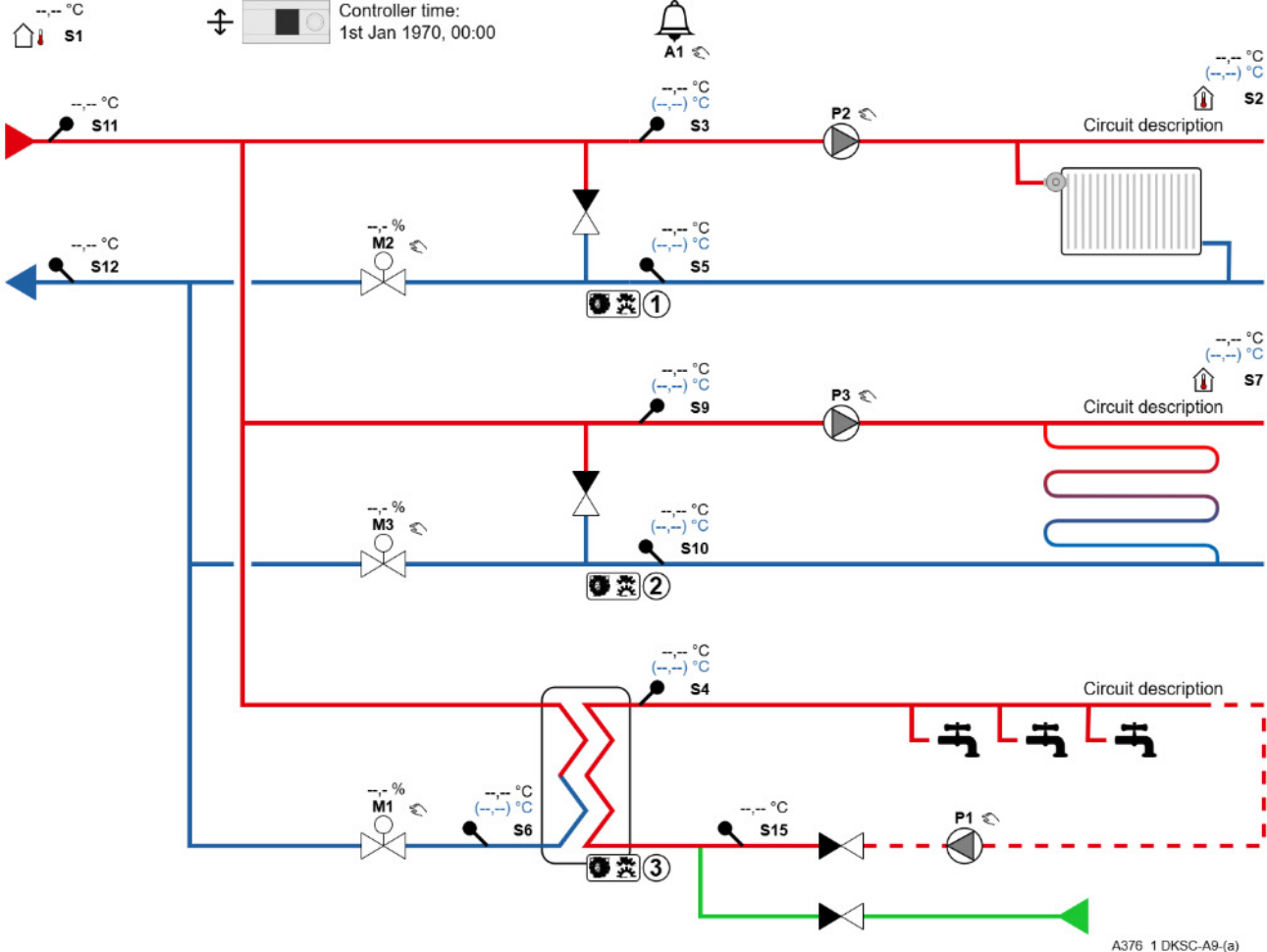
Leanheat® Monitor – A376.1 DKSC-A8



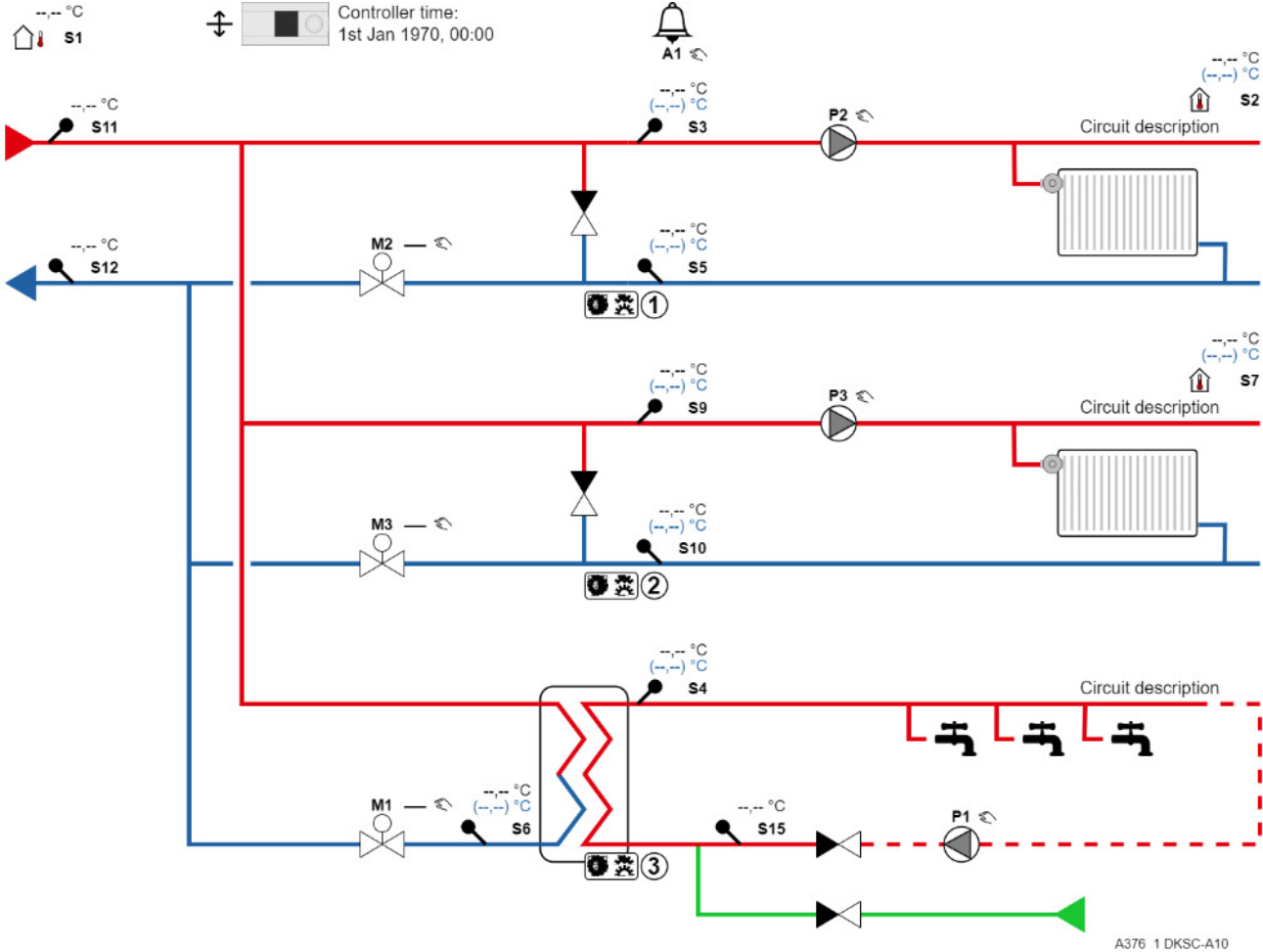
Leanheat[®] Monitor – A376.1 DKSC-A9



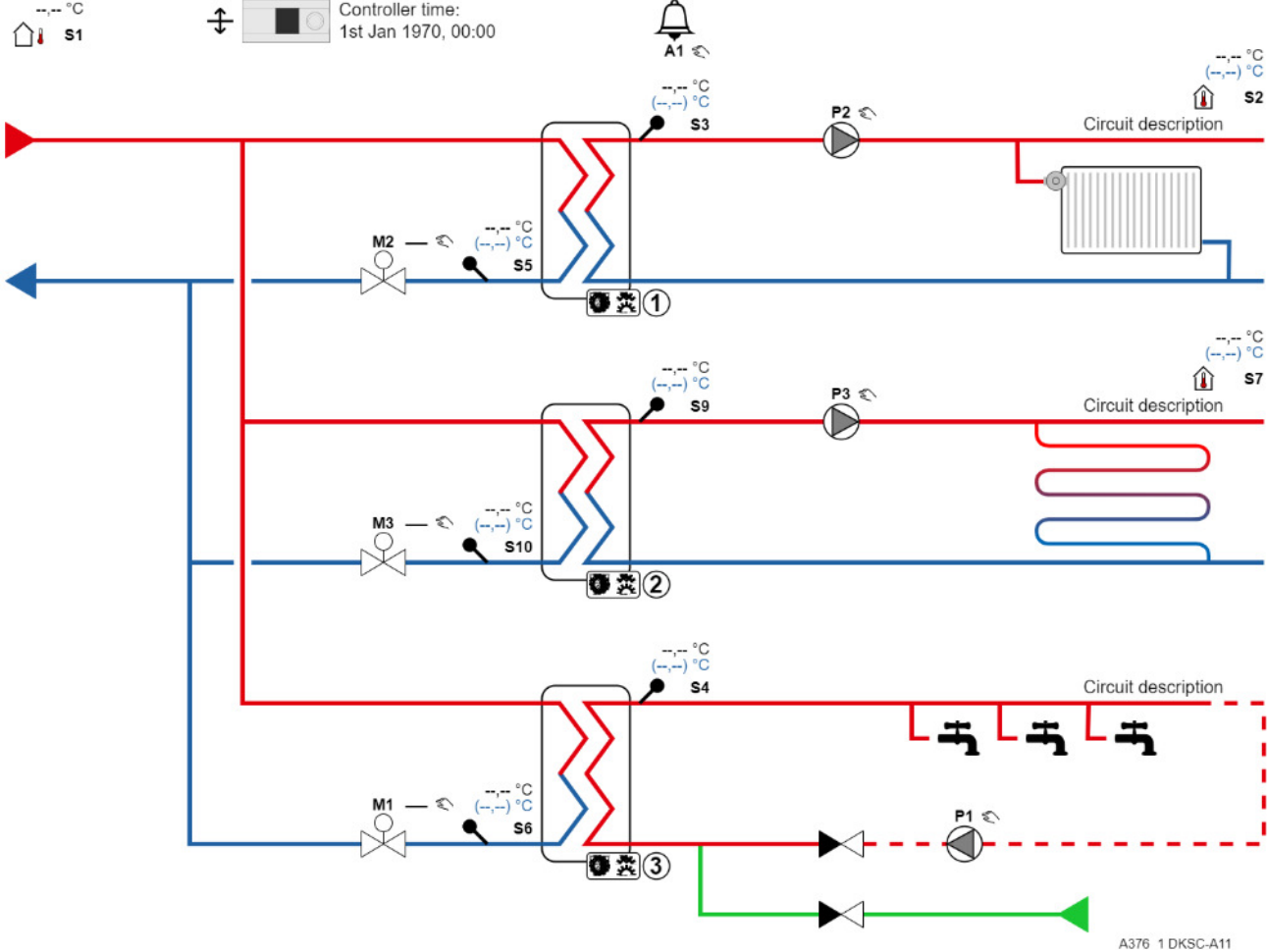
Leanheat® Monitor – A376.1 DKSC-A9-(a)



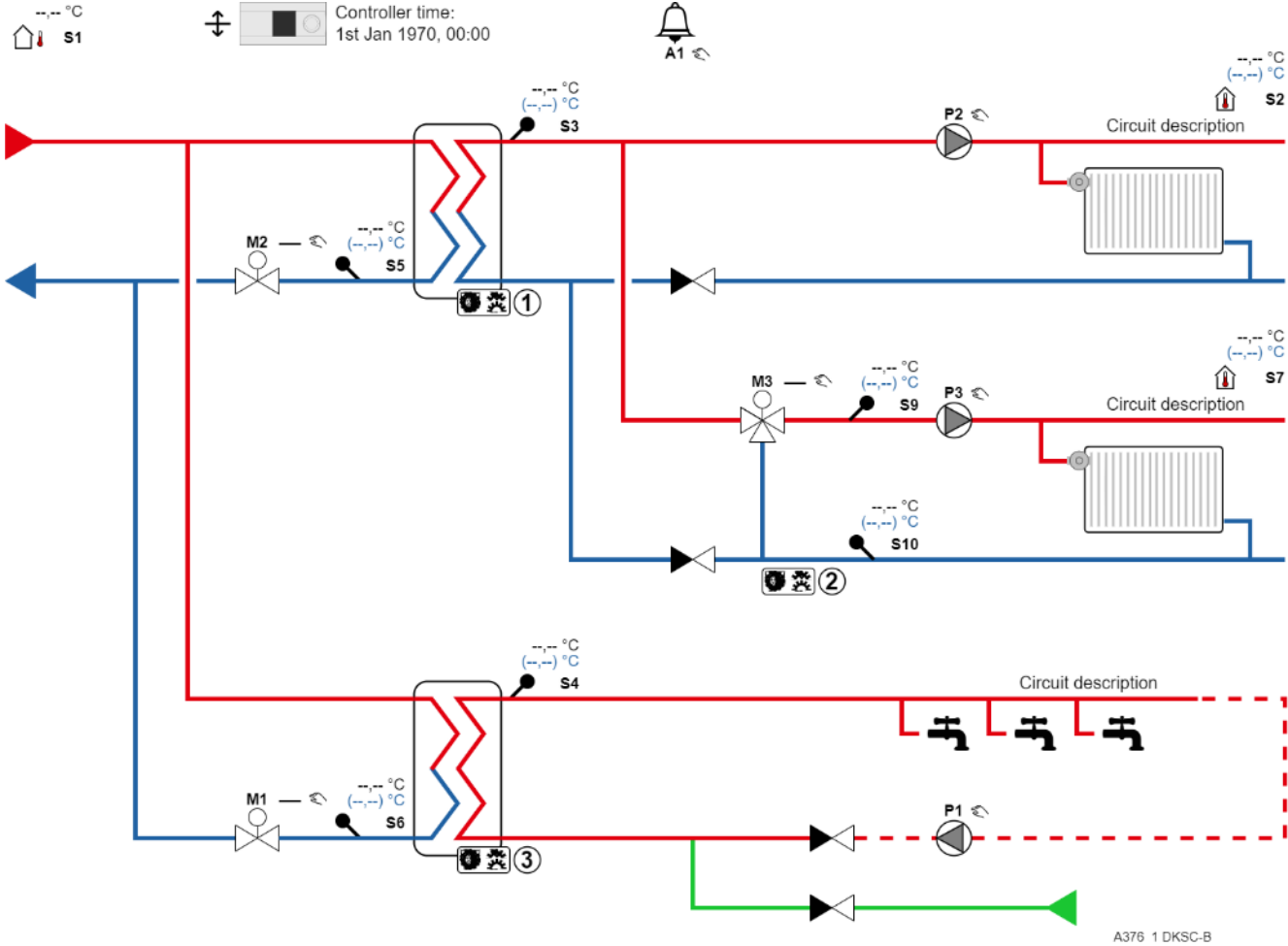
Leanheat[®] Monitor – A376.1 DKSC-A10



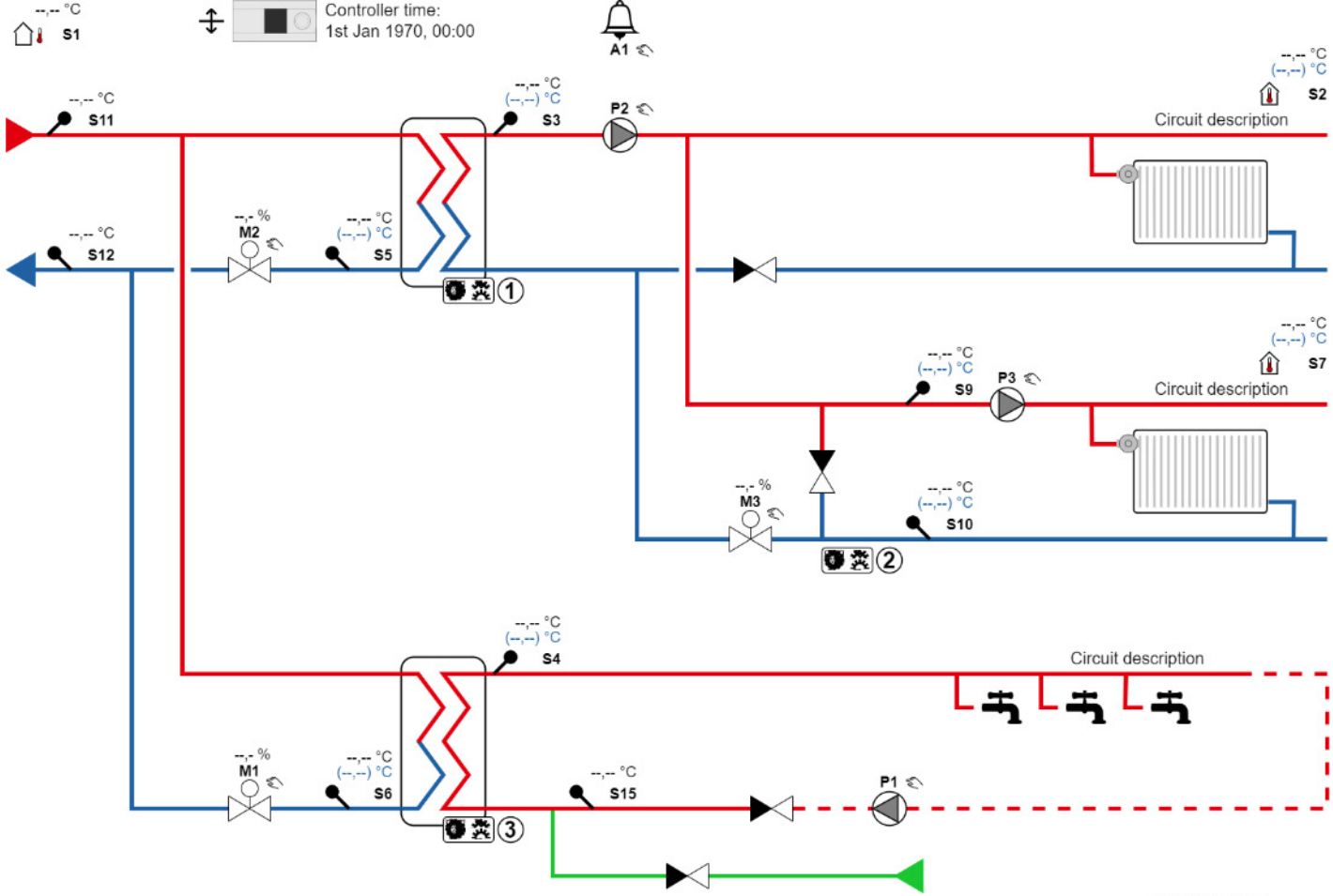
Leanheat® Monitor – A376.1 DKSC-A11



Leanheat® Monitor – A376.1 DKSC-B

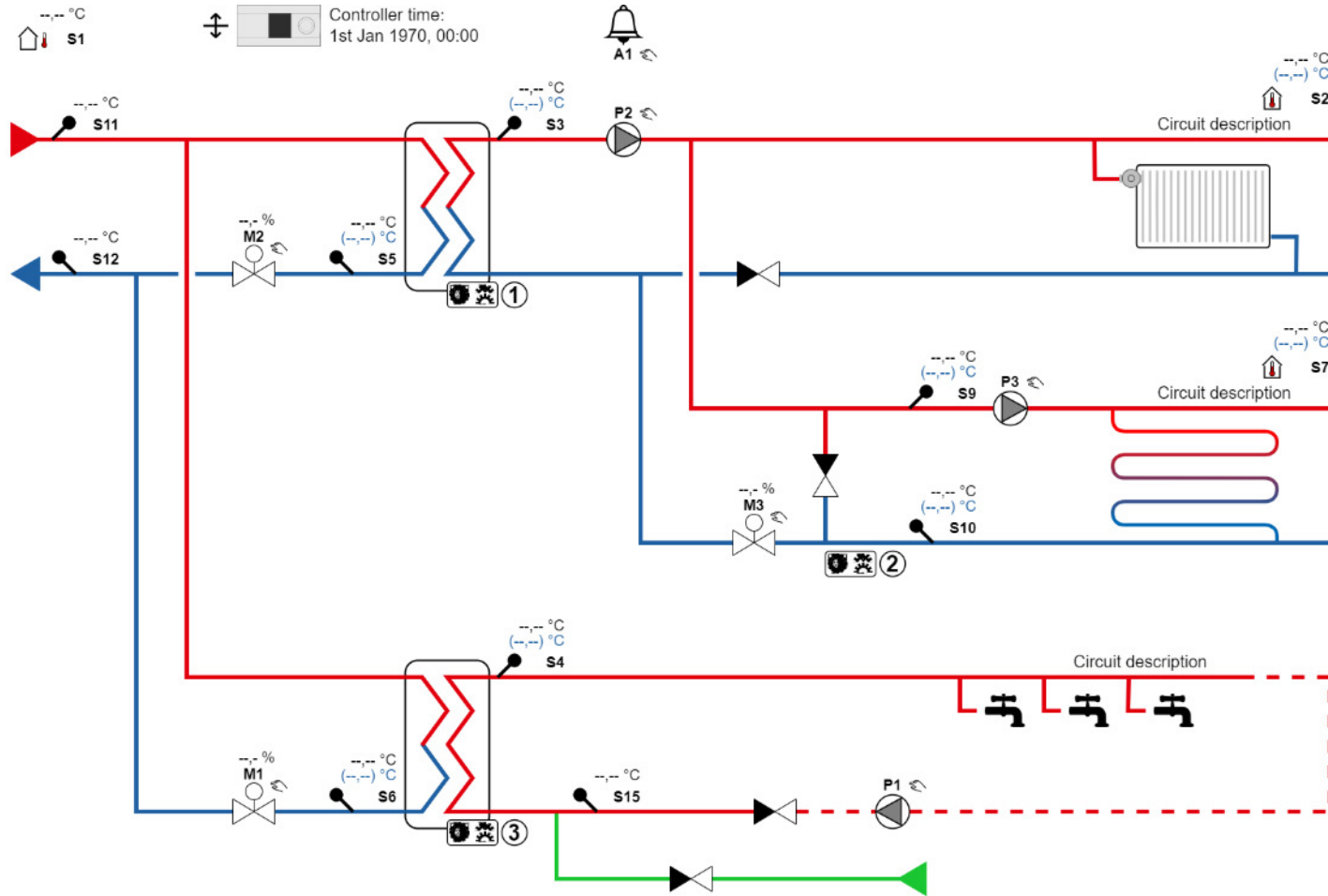


Leanheat[®] Monitor – A376.1 DKSC-C-(a)



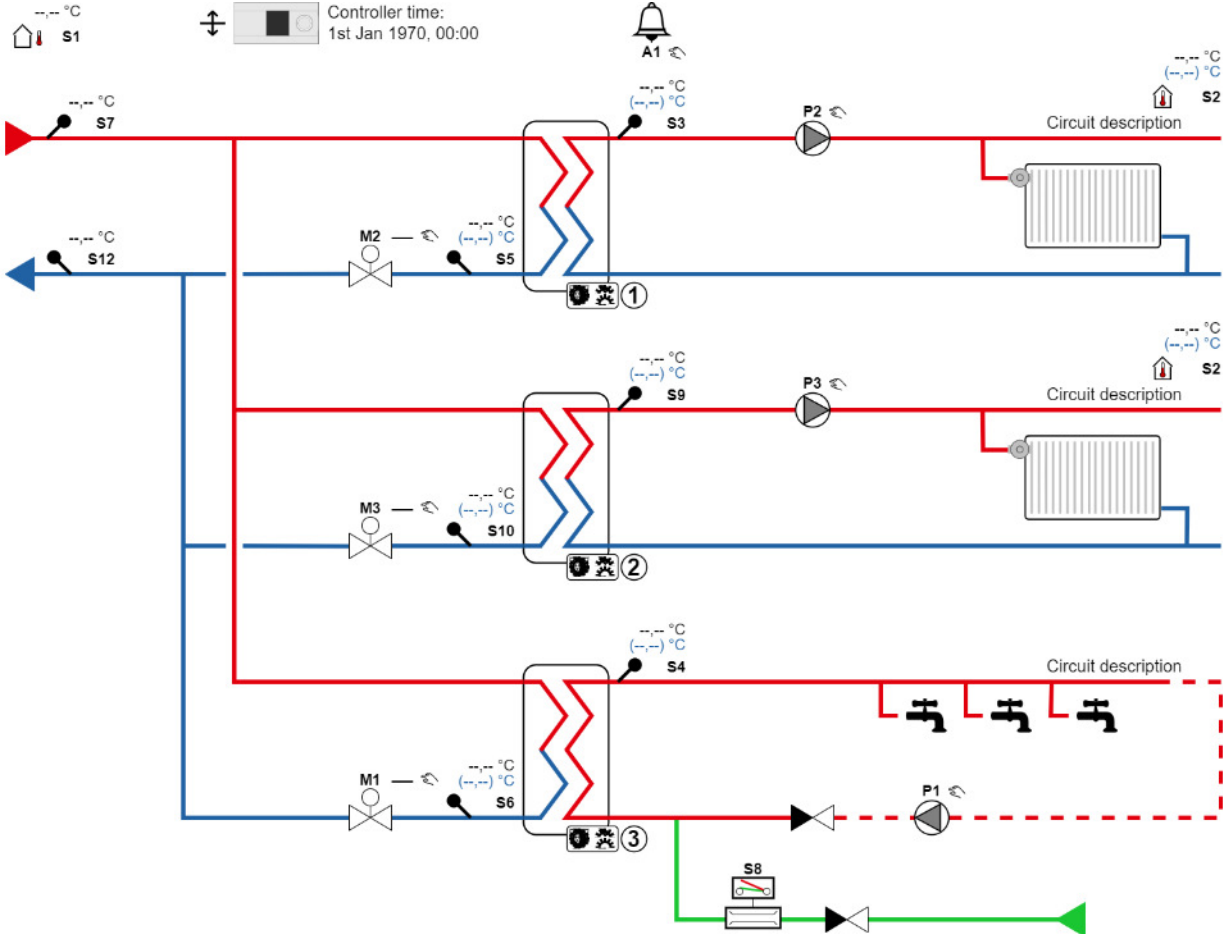
A376 1 DKSC-C-(a)

Leanheat® Monitor – A376.1 DKSC-C1-(a)



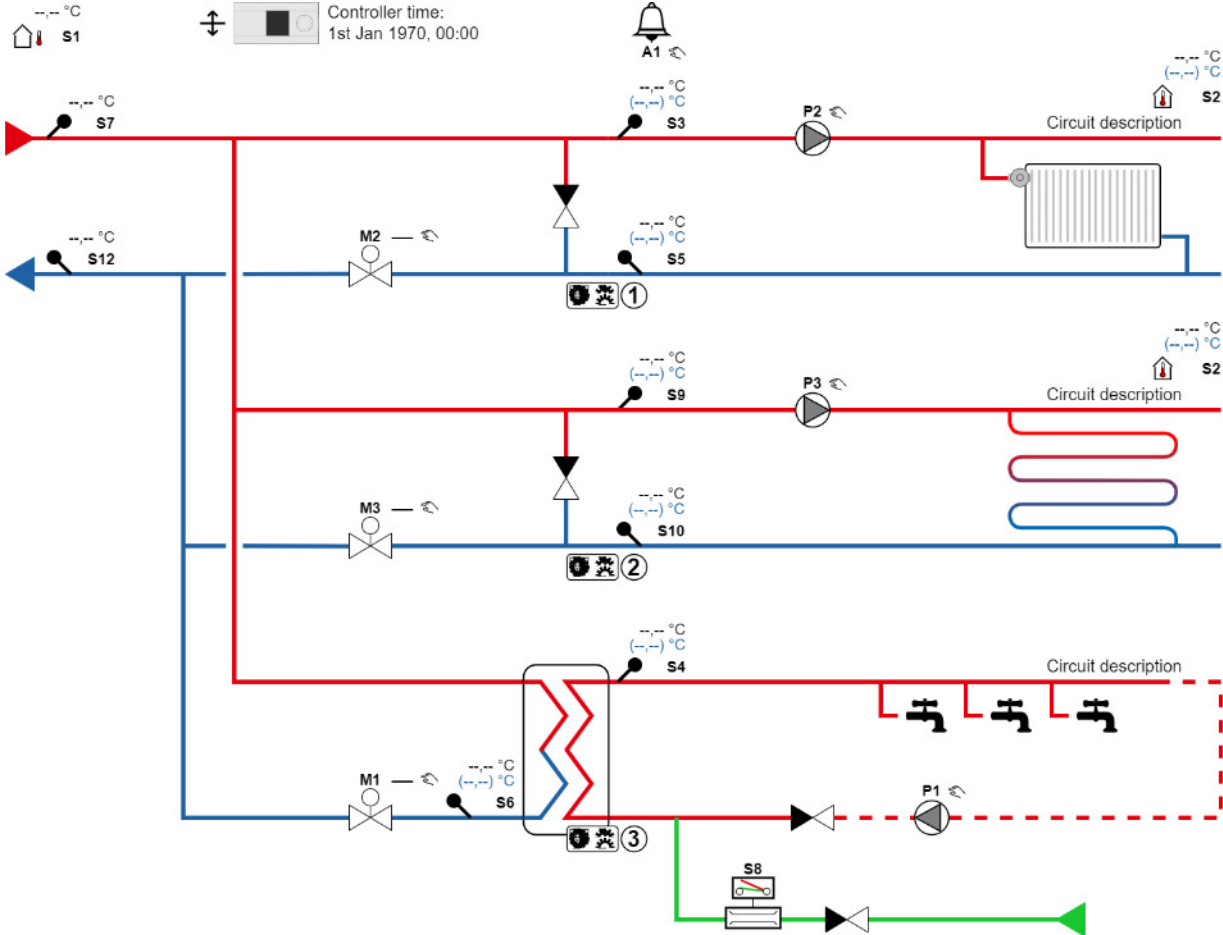
A376 1 DKSC-C1-(a)

Leanheat[®] Monitor – A376.2 DKSC-A

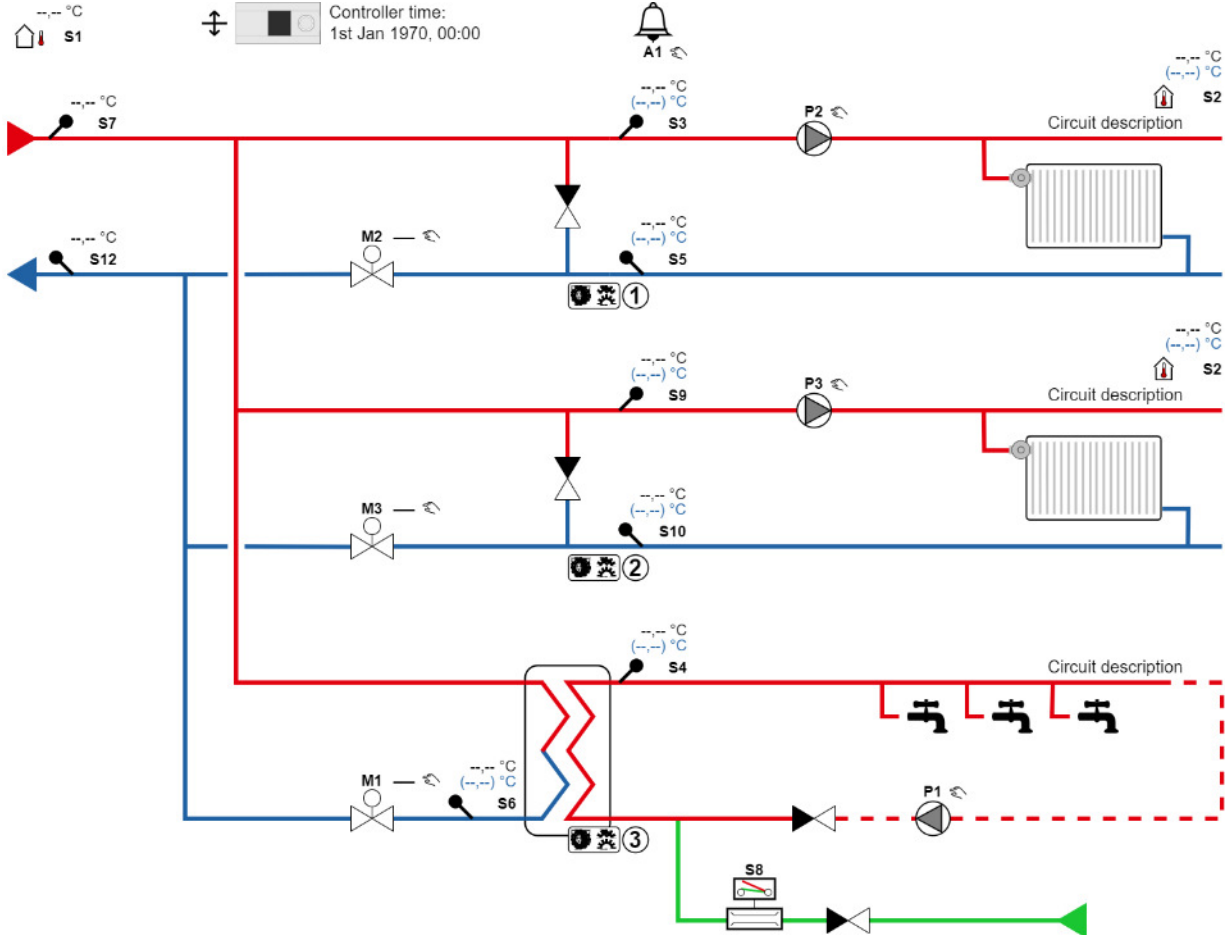


A376 2 DKSC-A

Leanheat[®] Monitor – A376.2 DKSC-A1

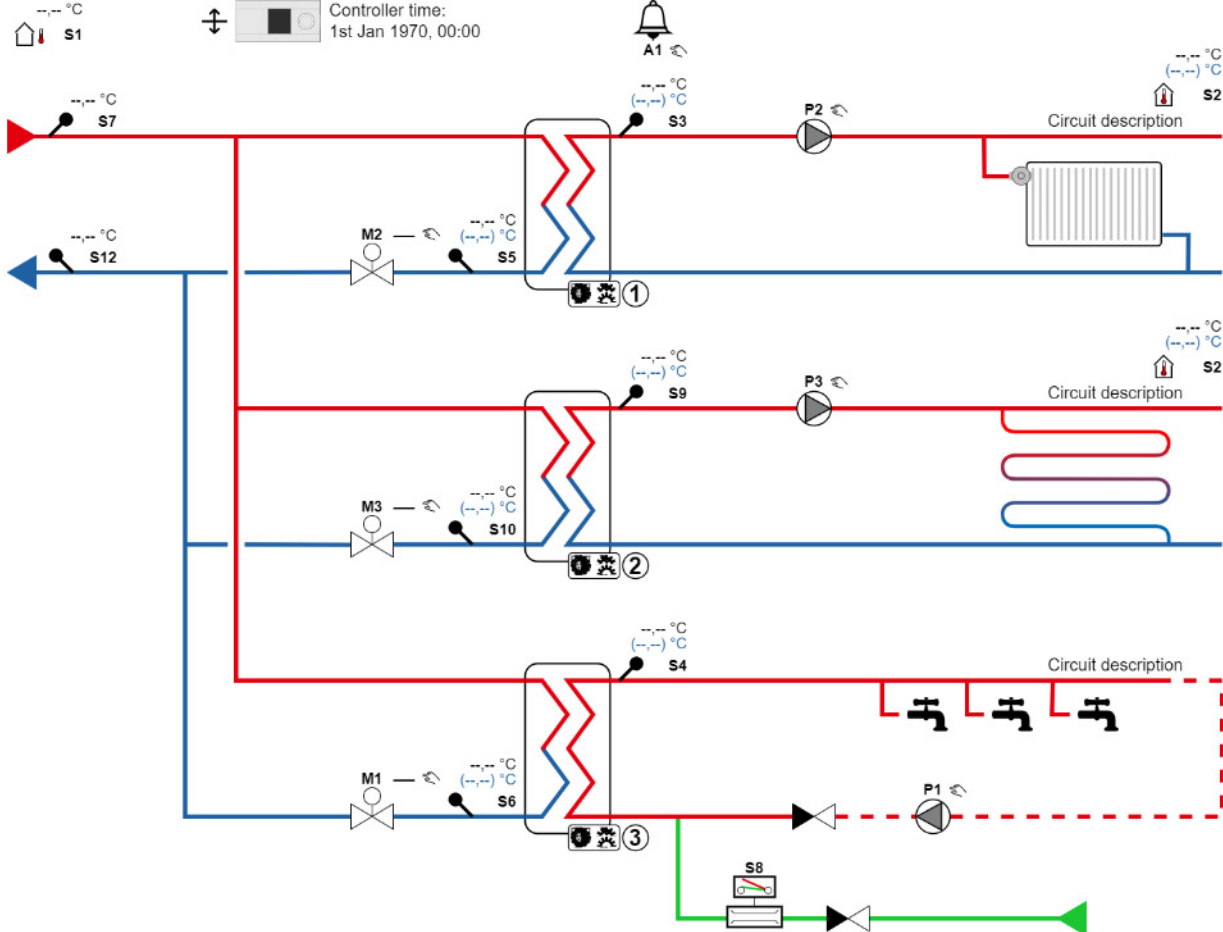


Leanheat® Monitor – A376.2 DKSC-A2



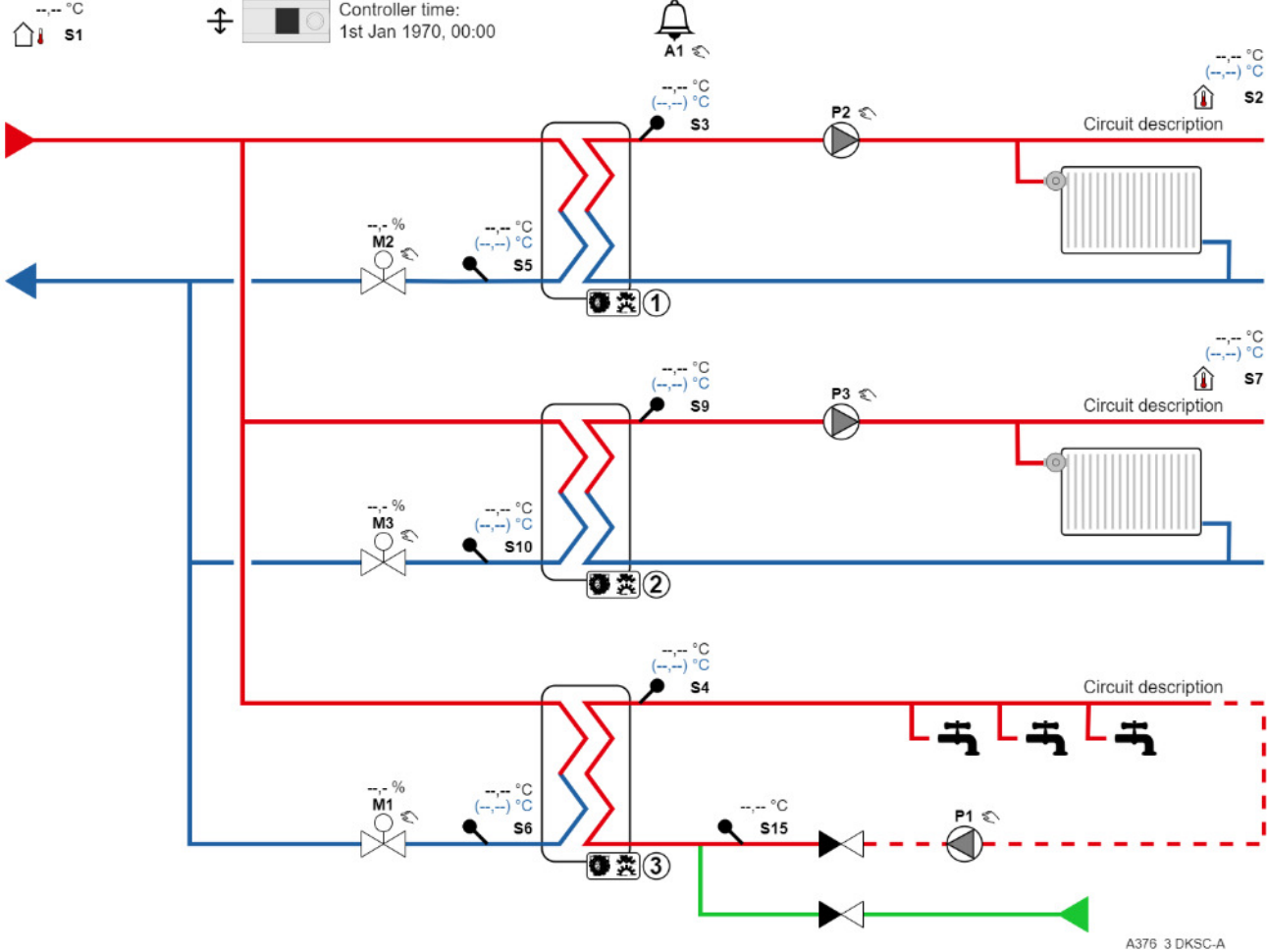
A376 2 DKSC-A2

Leanheat[®] Monitor – A376.2 DKSC-A3

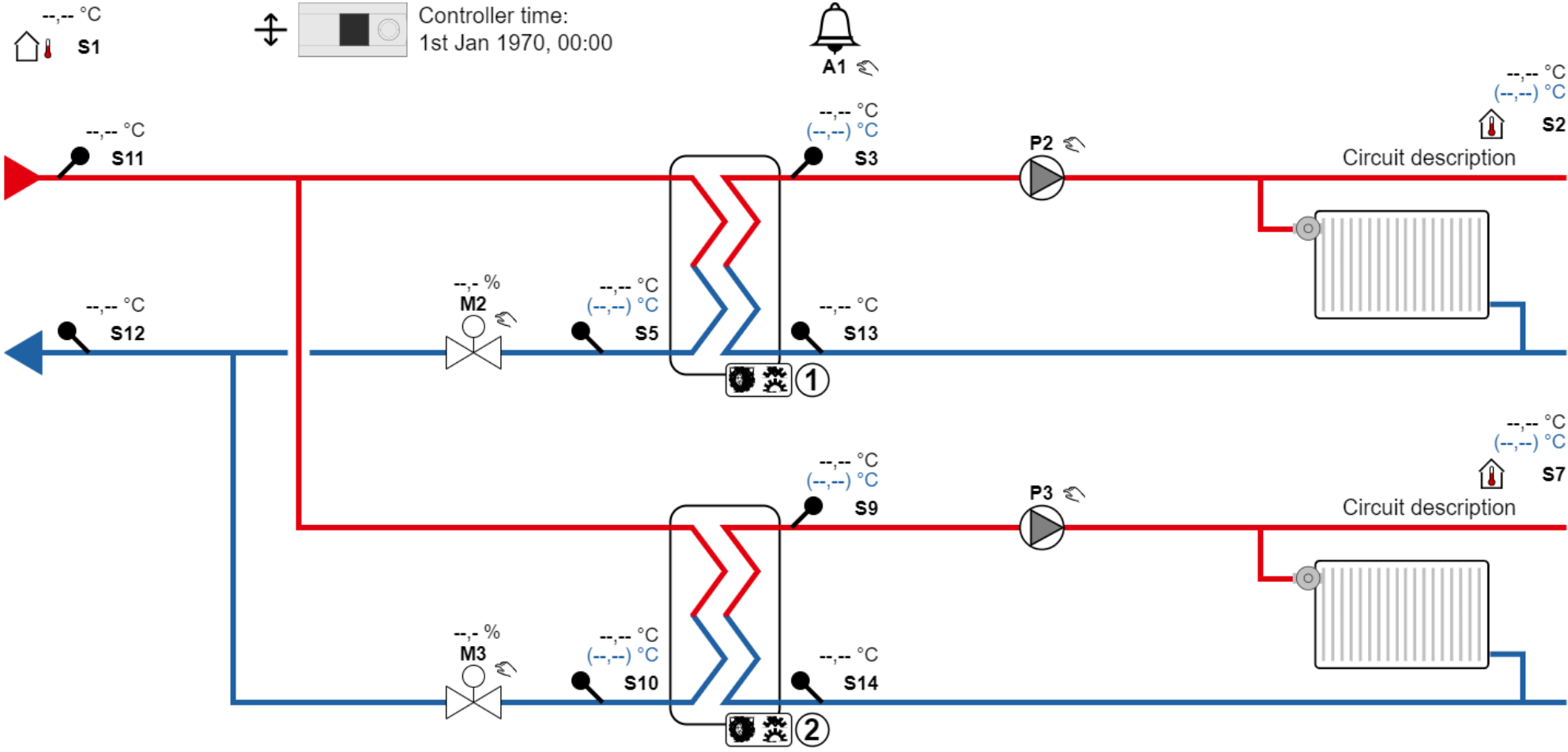


A376 2 DKSC-A3

Leanheat[®] Monitor – A376.3 DKSC-A

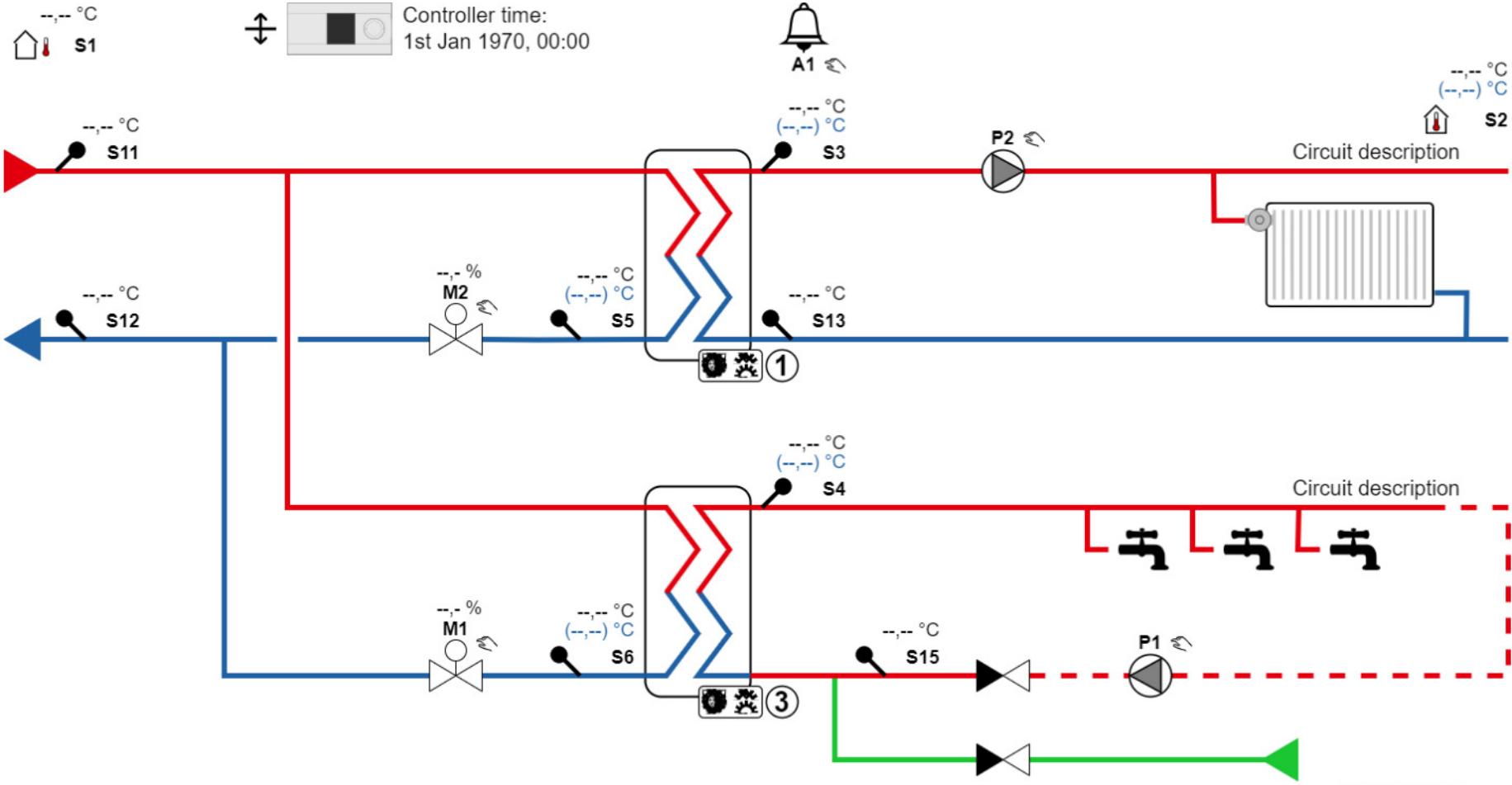


Leanheat[®] Monitor – A376.3 DKSC-A2



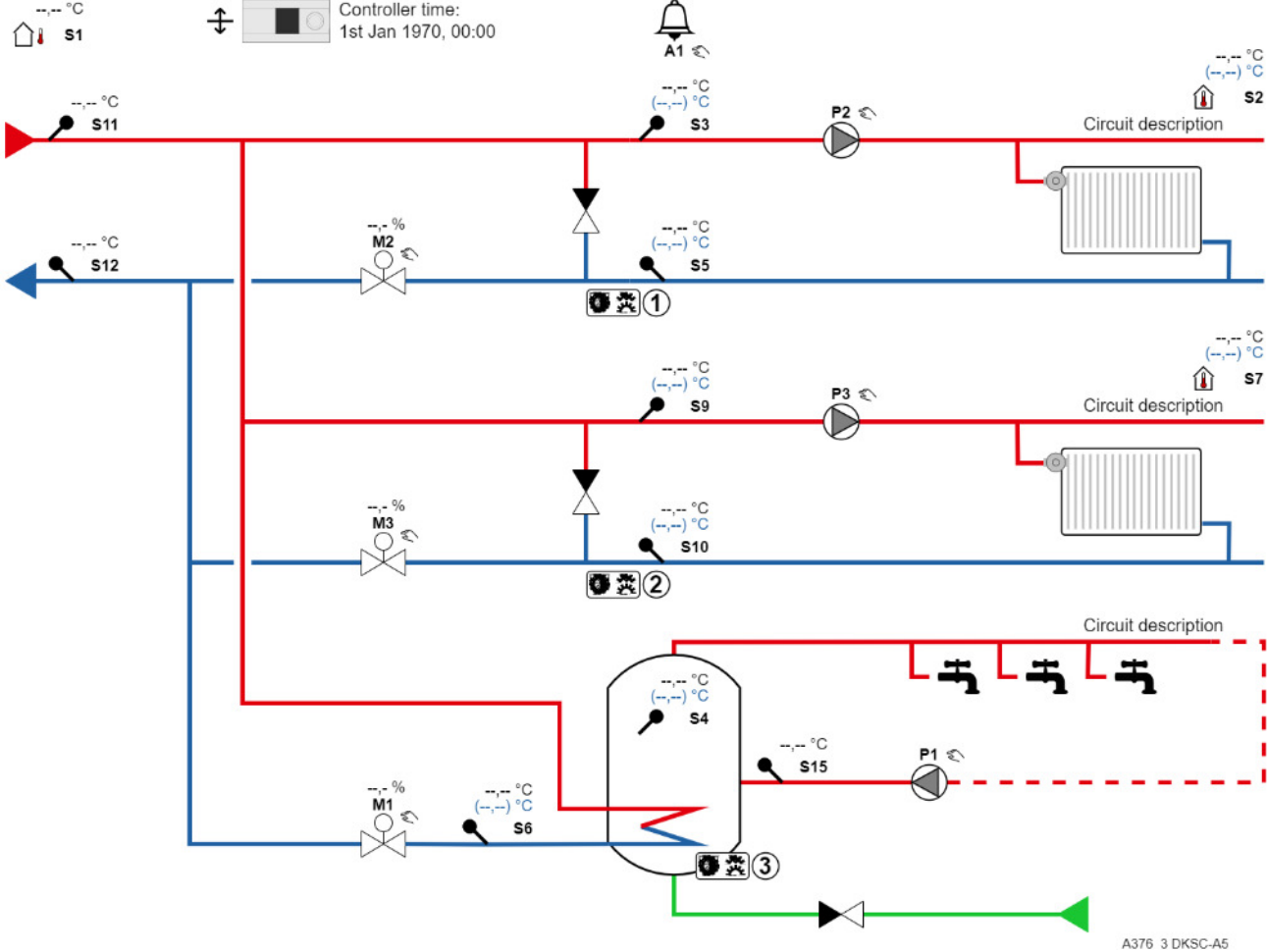
A376 3 DKSC-A2

Leanheat® Monitor – A376.3 DKSC-A3

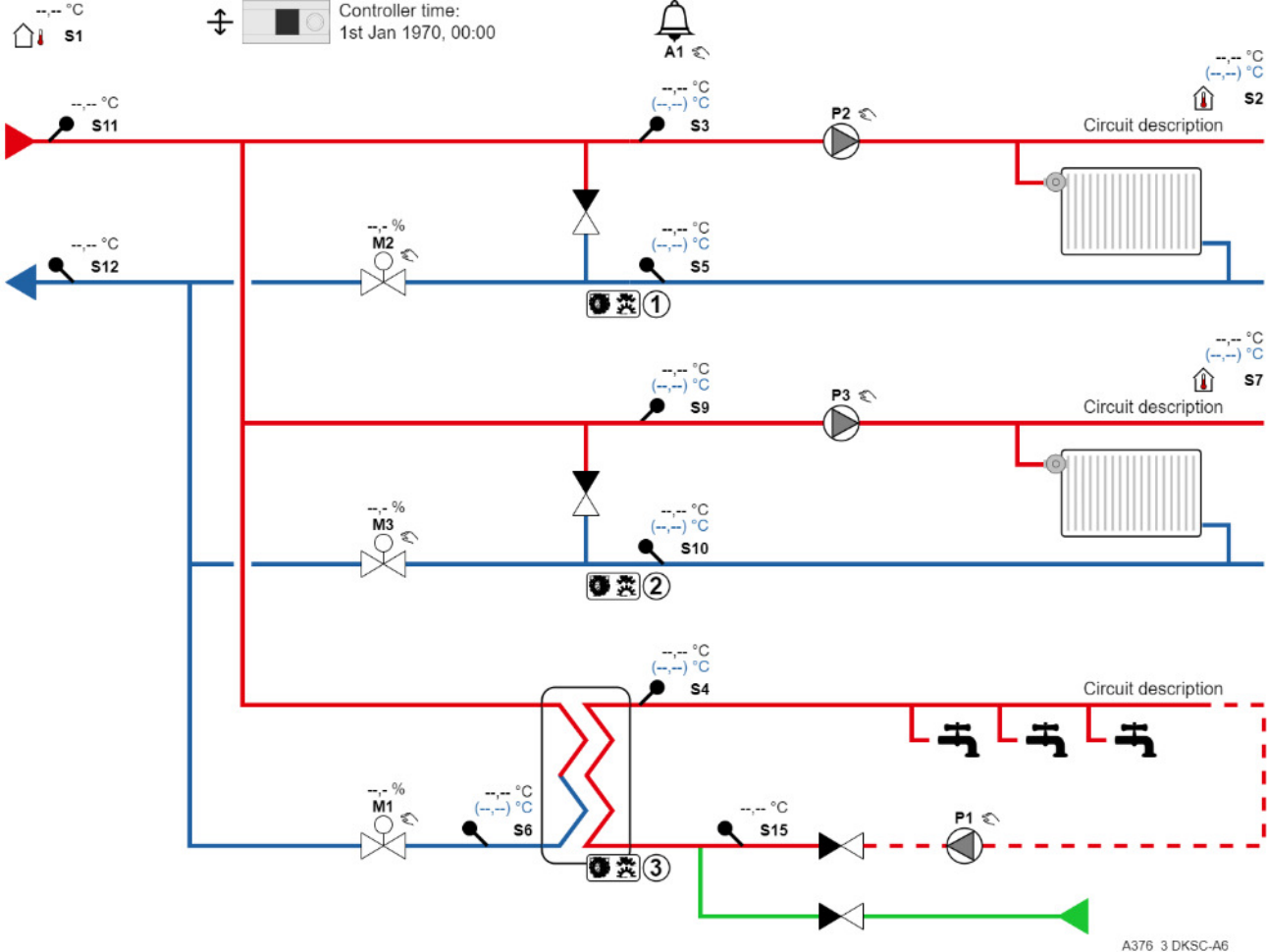


A376 3 DKSC-A3

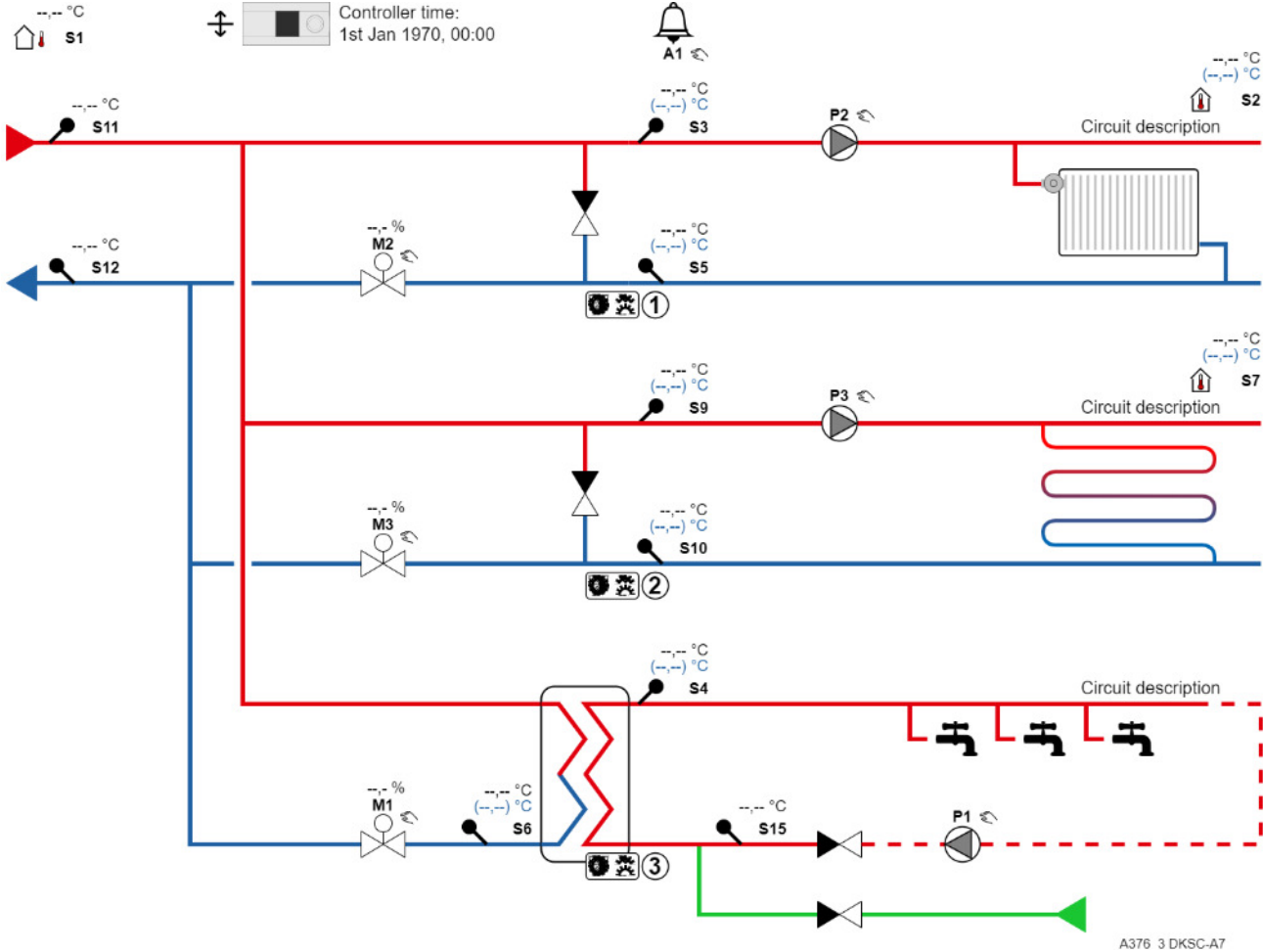
Leanheat® Monitor – A376.3 DKSC-A5



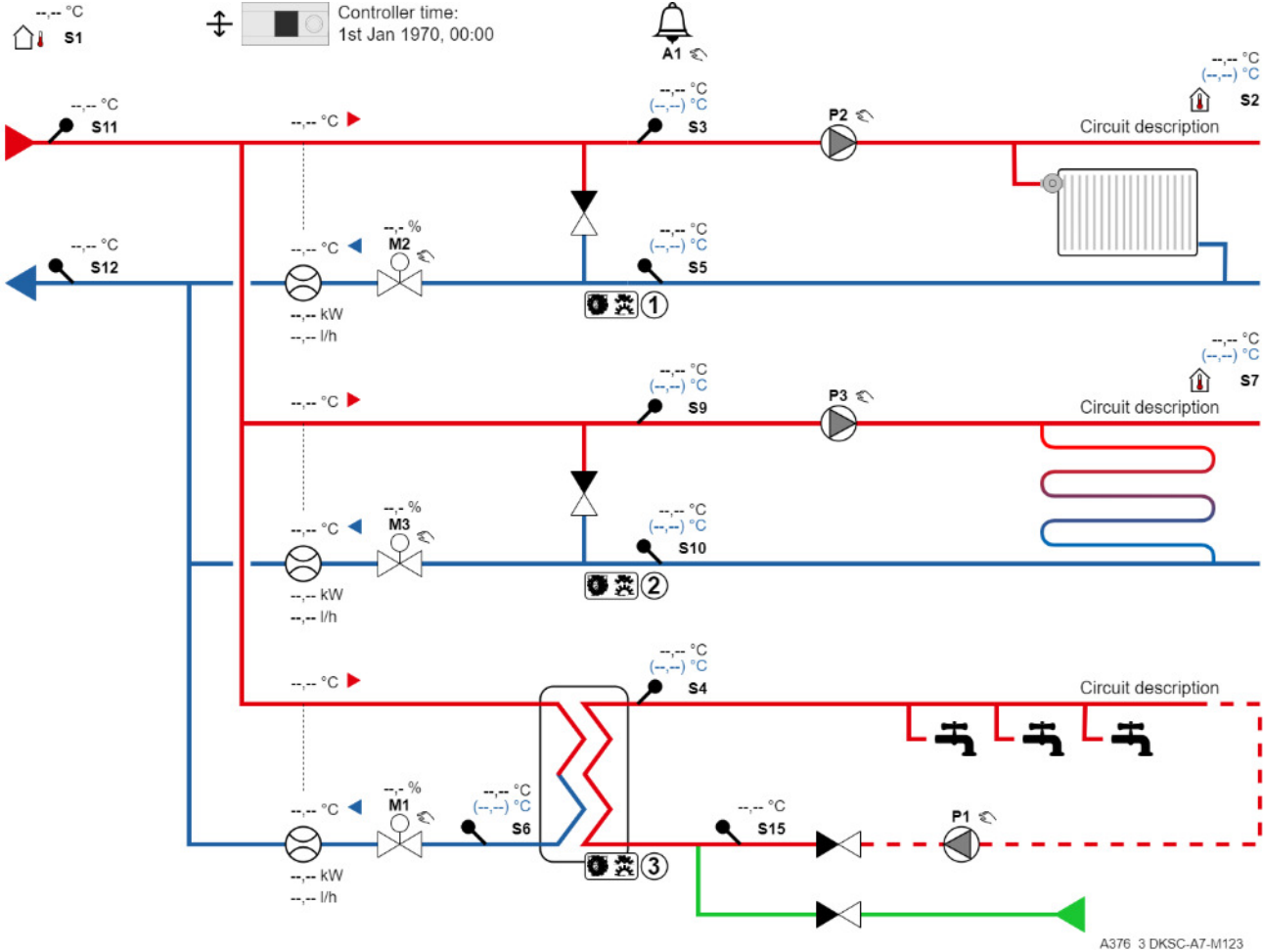
Leanheat® Monitor – A376.3 DKSC-A6



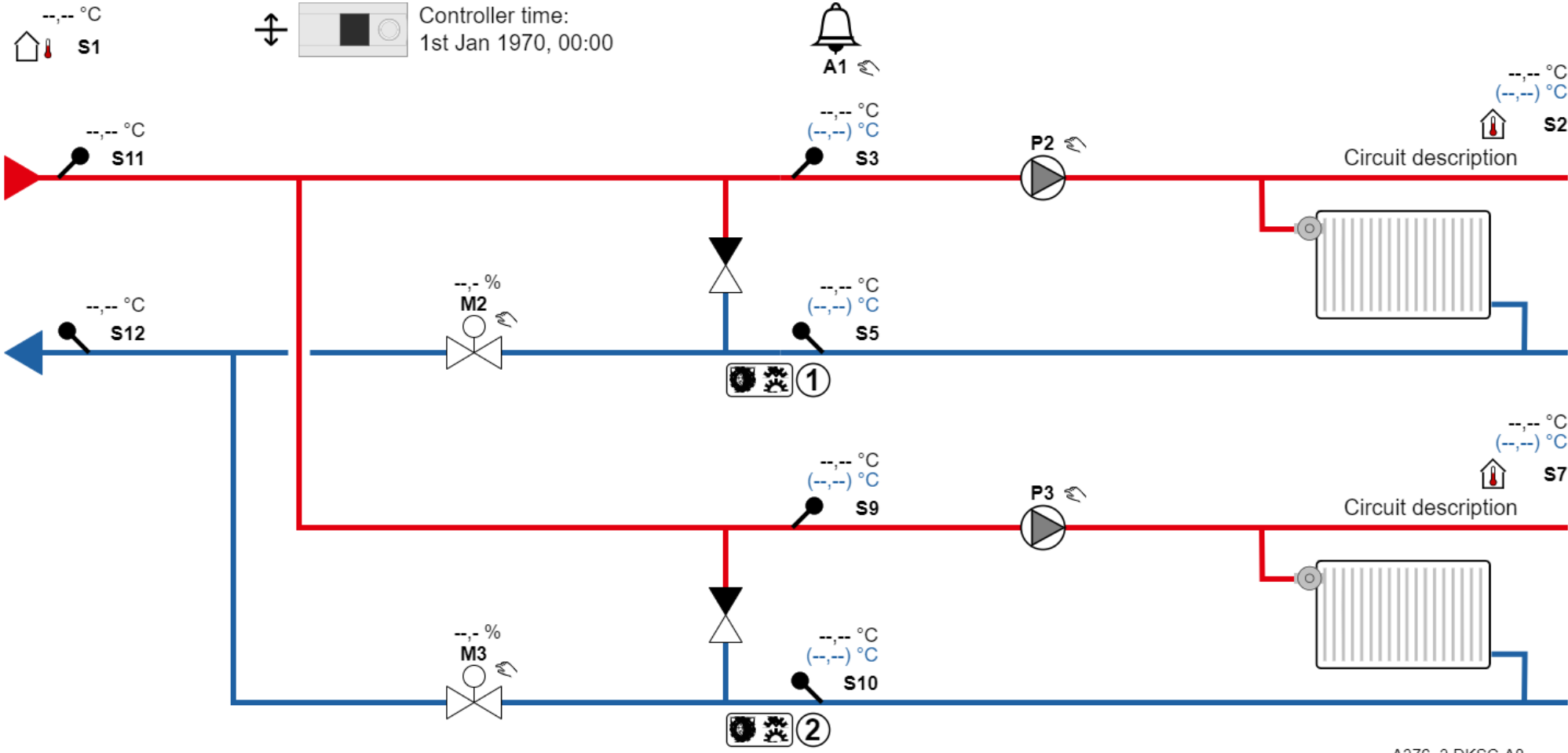
Leanheat® Monitor – A376.3 DKSC-A7



Leanheat® Monitor – A376.3 DKSC-A7-M123

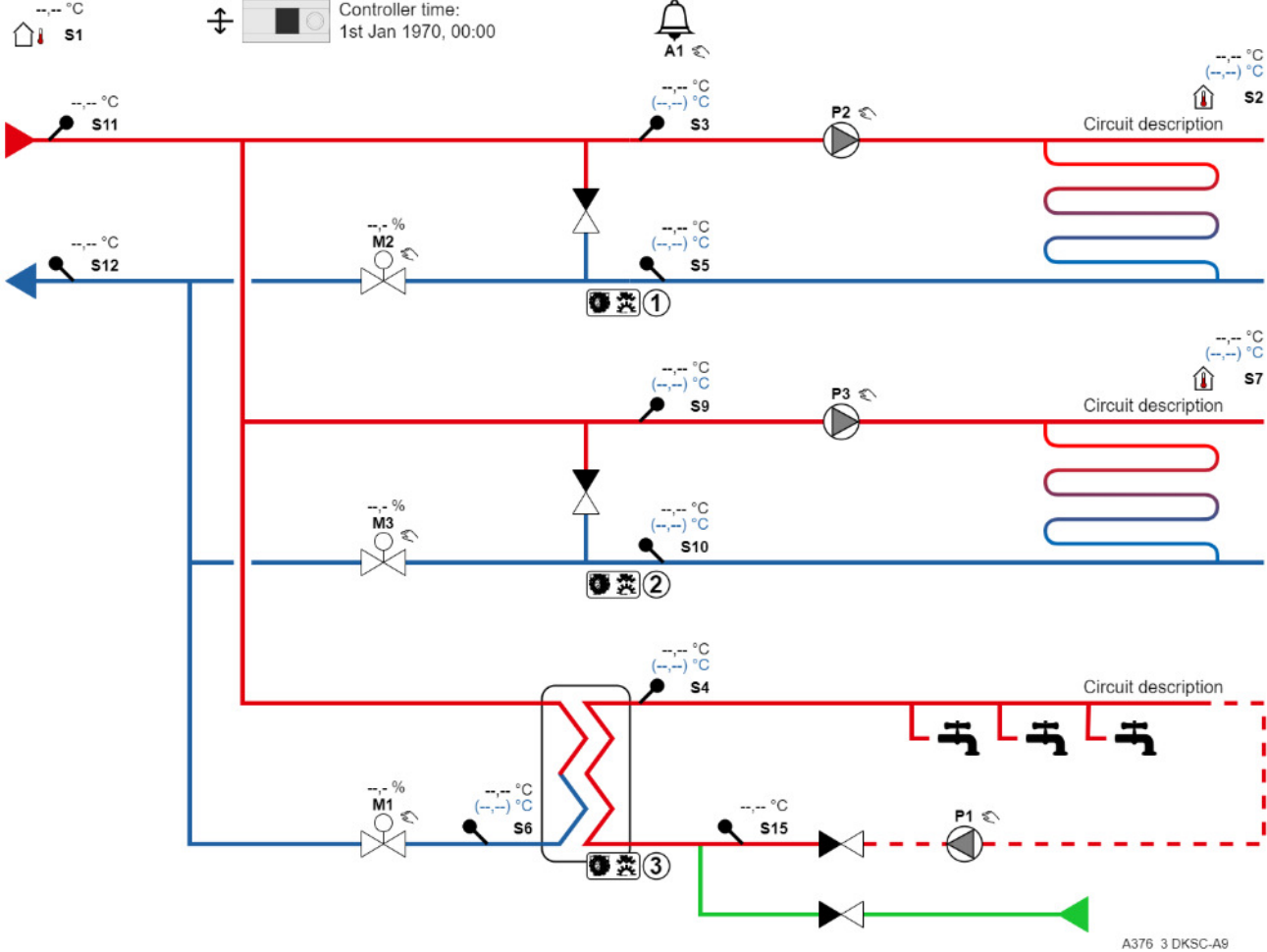


Leanheat® Monitor – A376.3 DKSC-A8

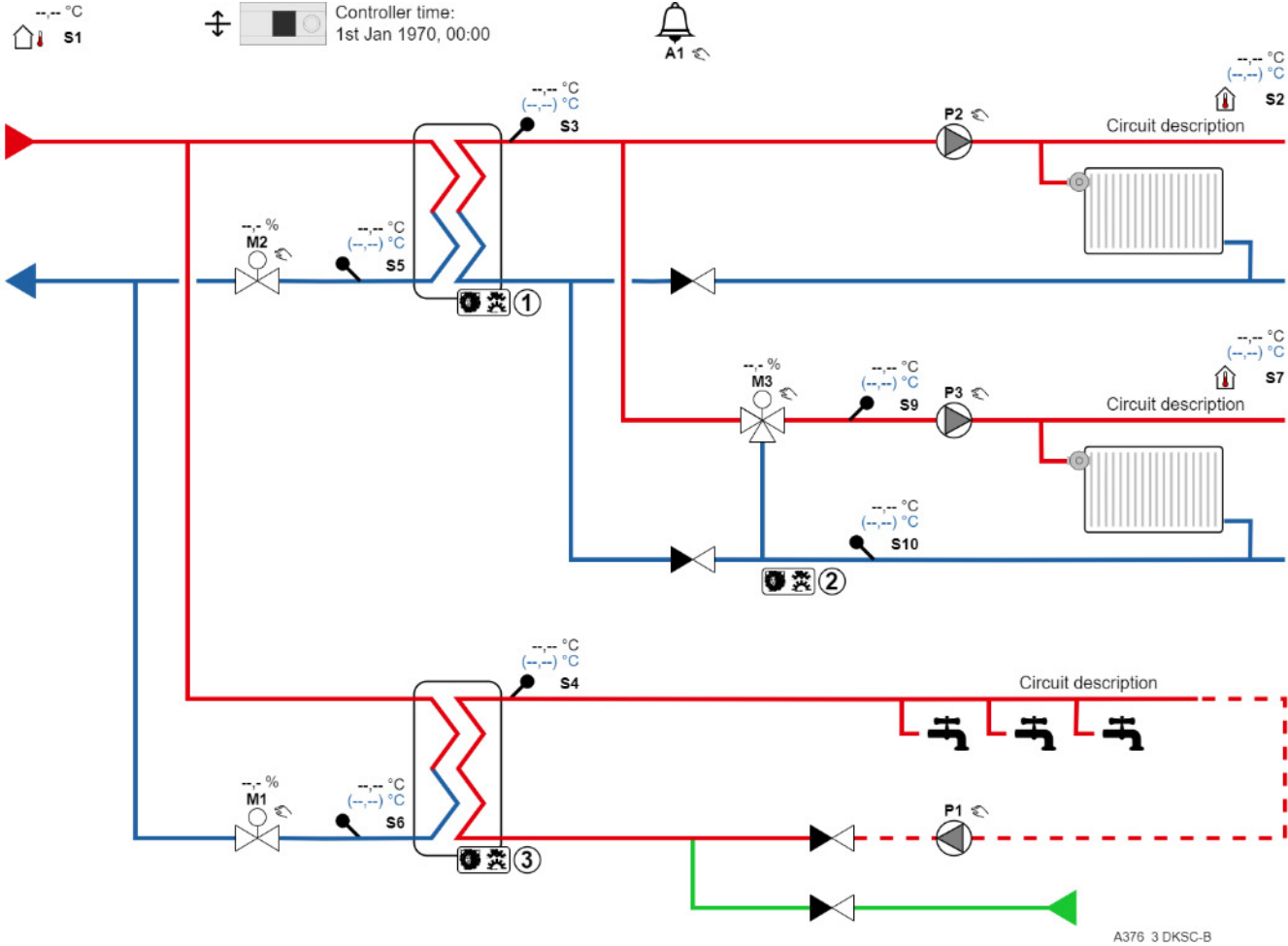


A376 3 DKSC-A8

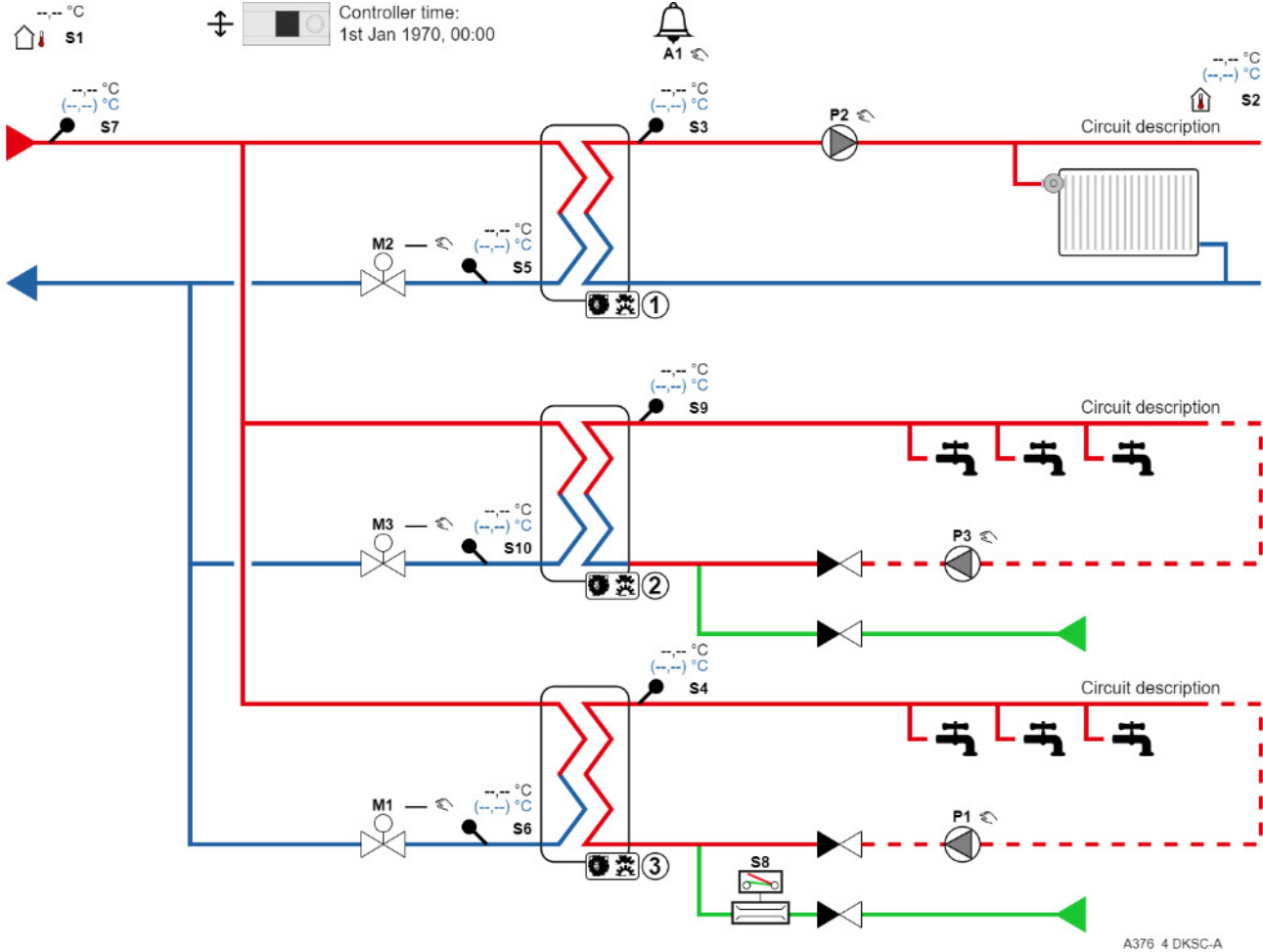
Leanheat[®] Monitor – A376.3 DKSC-A9



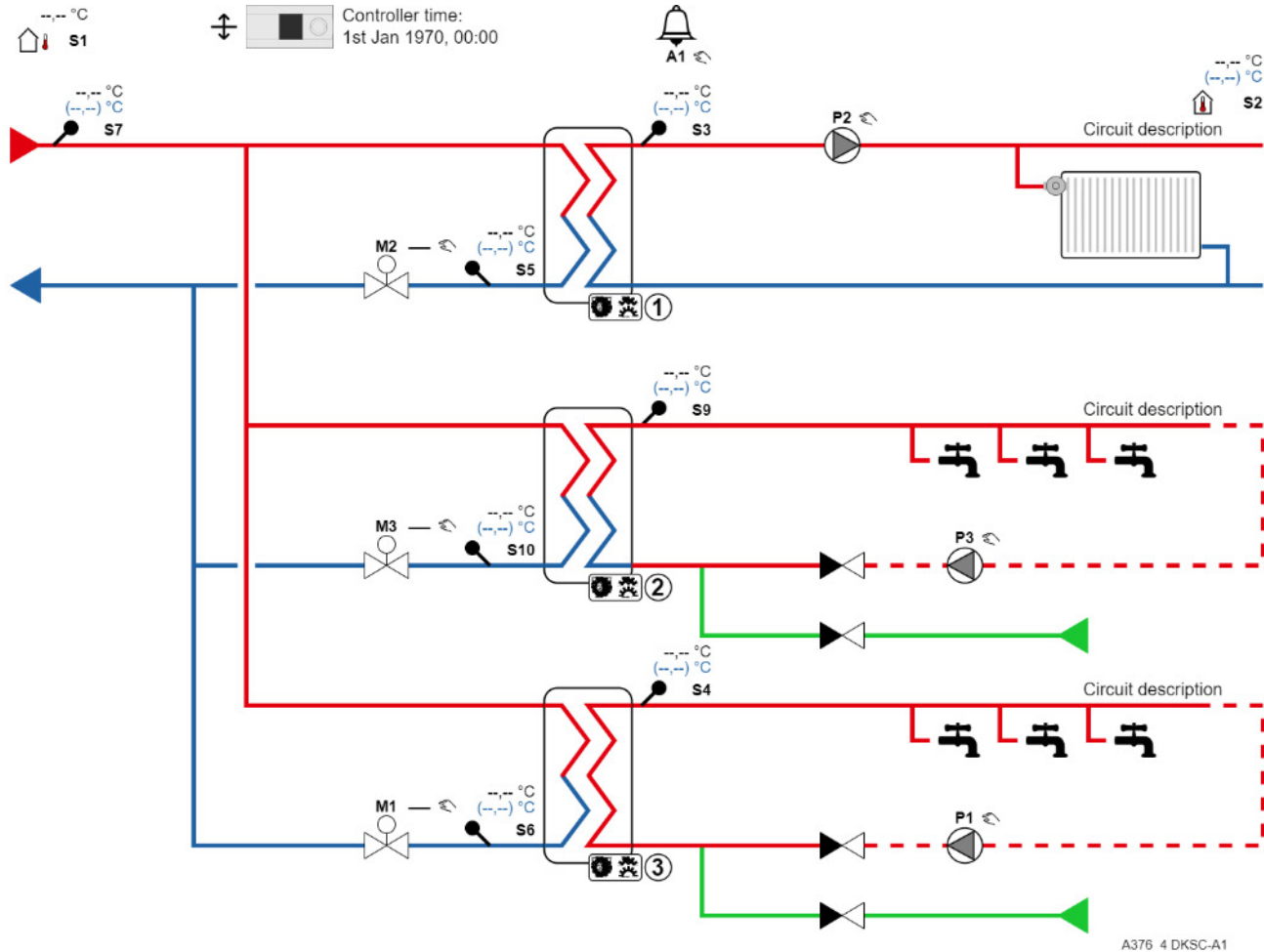
Leanheat® Monitor – A376.3 DKSC-B



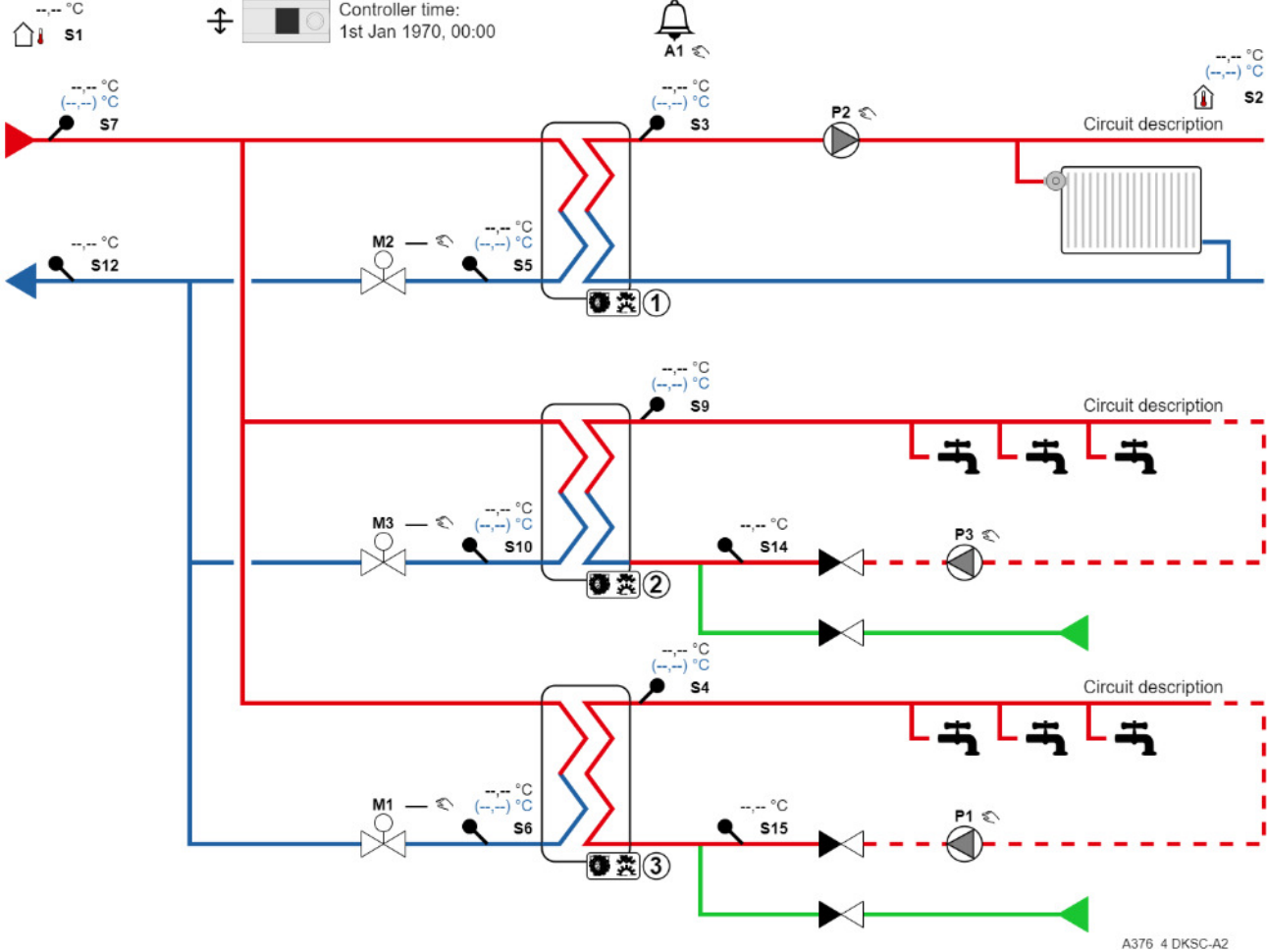
Leanheat[®] Monitor – A376.4 DKSC-A



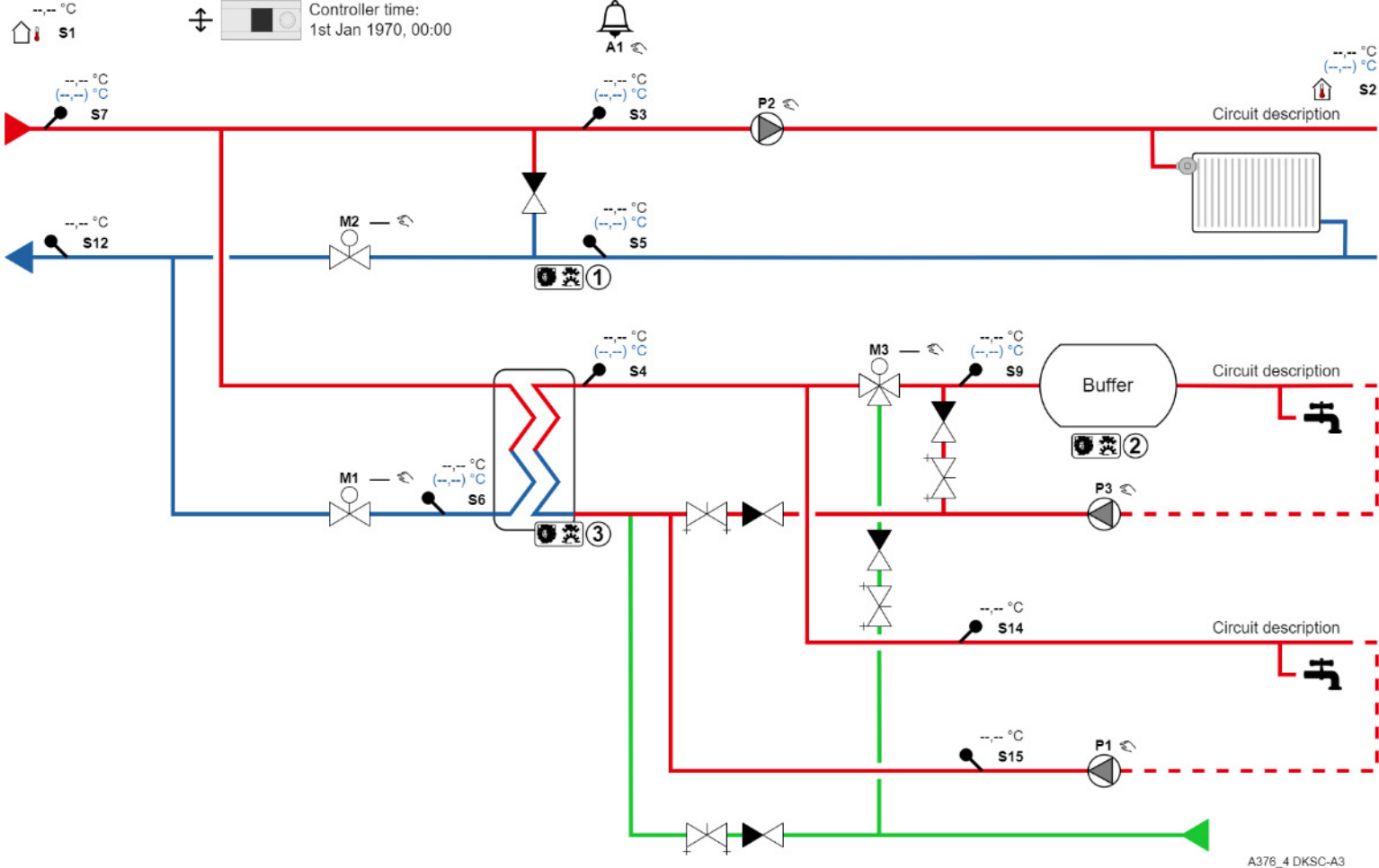
Leanheat[®] Monitor – A376.4 DKSC-A1



Leanheat[®] Monitor – A376.4 DKSC-A2

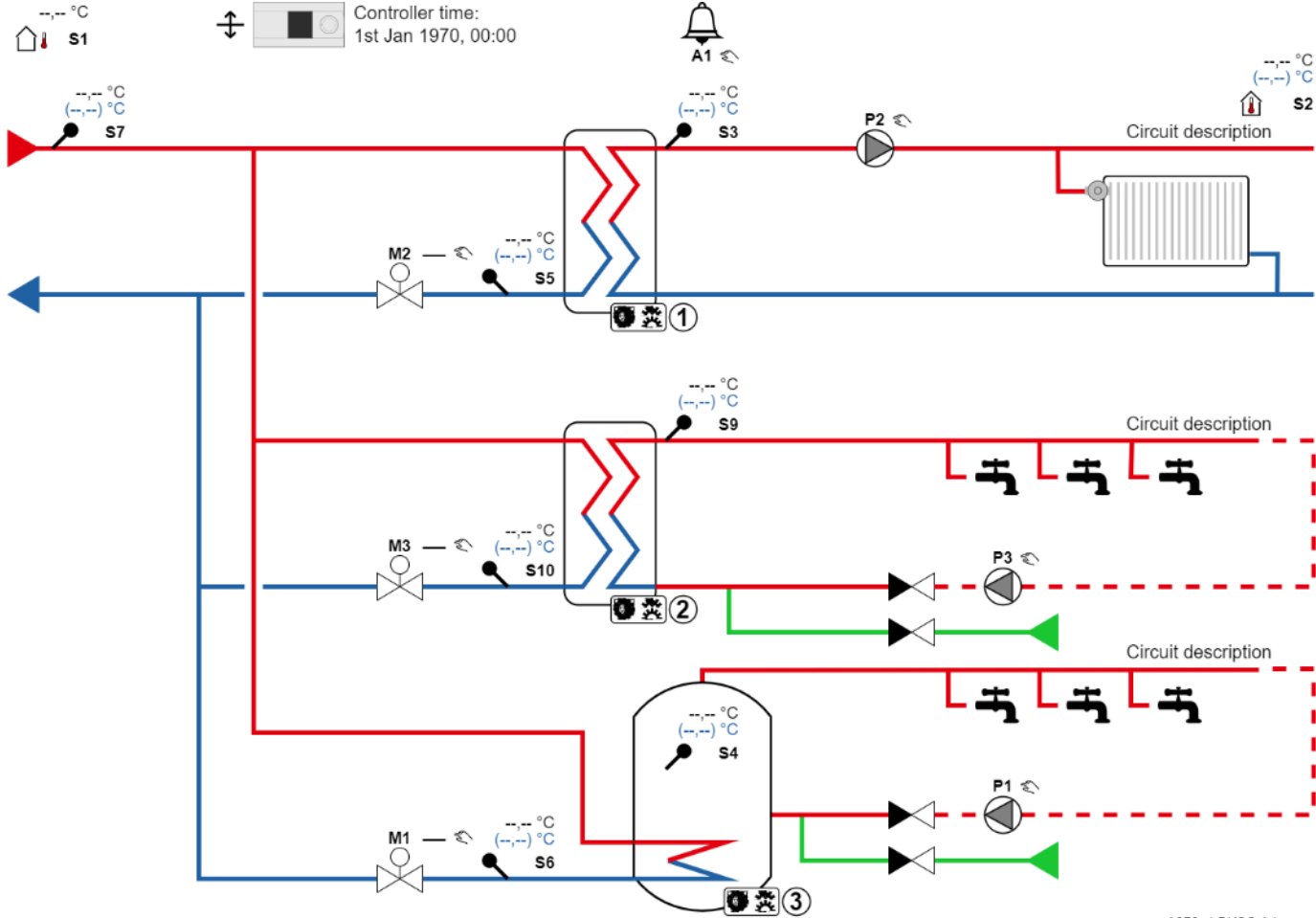


Leanheat[®] Monitor – A376.4 DKSC-A3



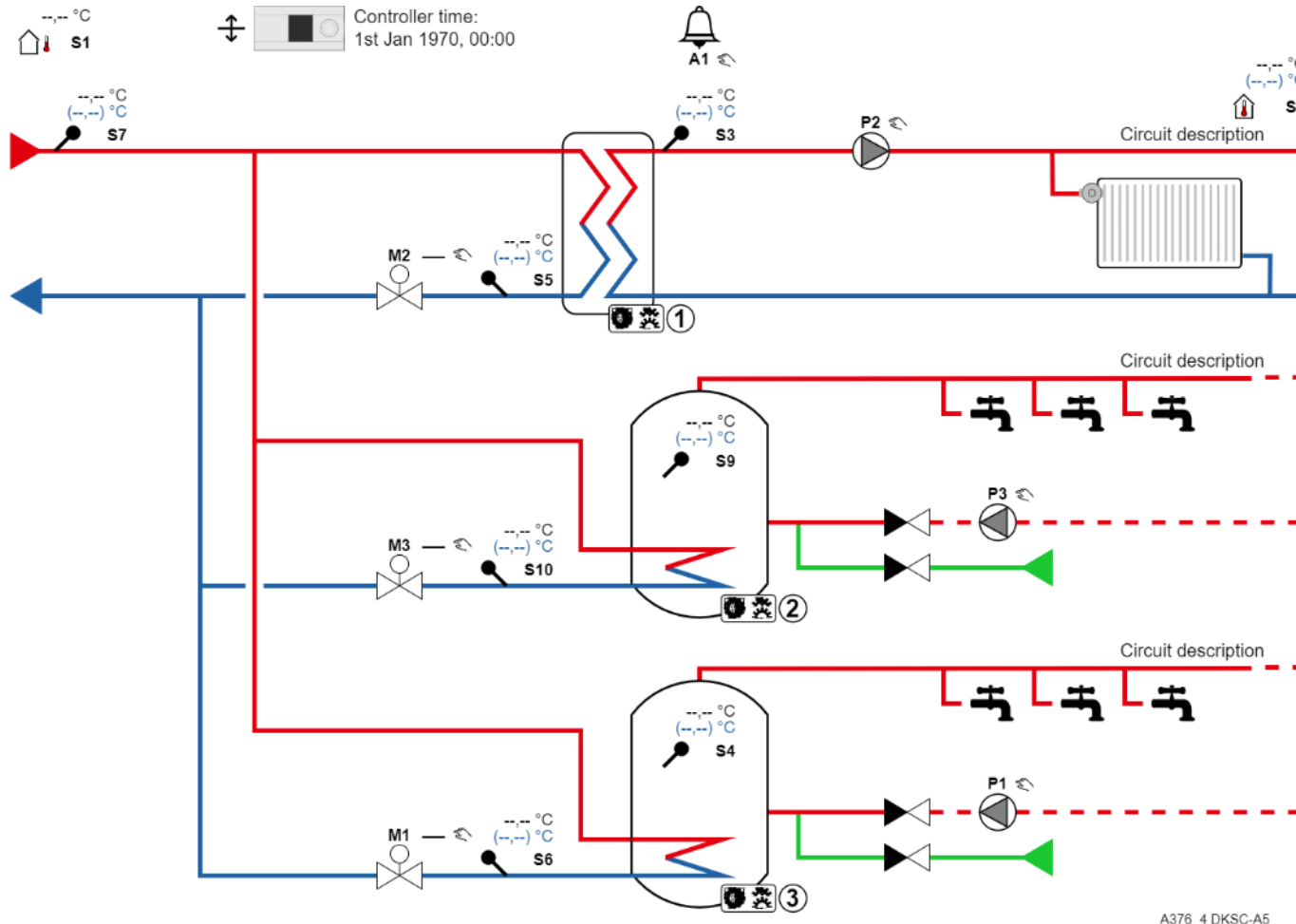
A376_4 DKSC-A3

Leanheat[®] Monitor – A376.4 DKSC-A4



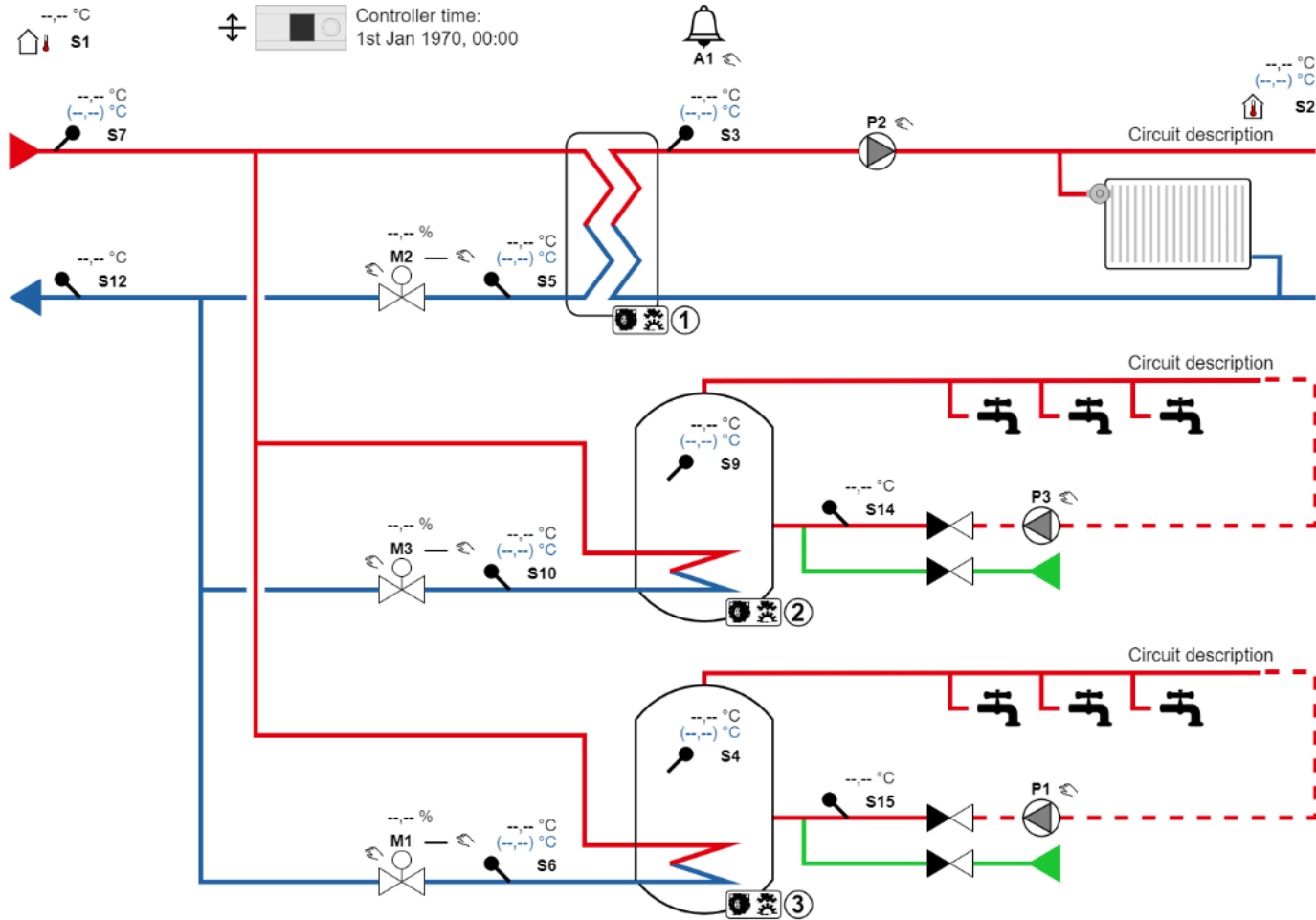
A376 4 DKSC-A4

Leanheat[®] Monitor – A376.4 DKSC-A5



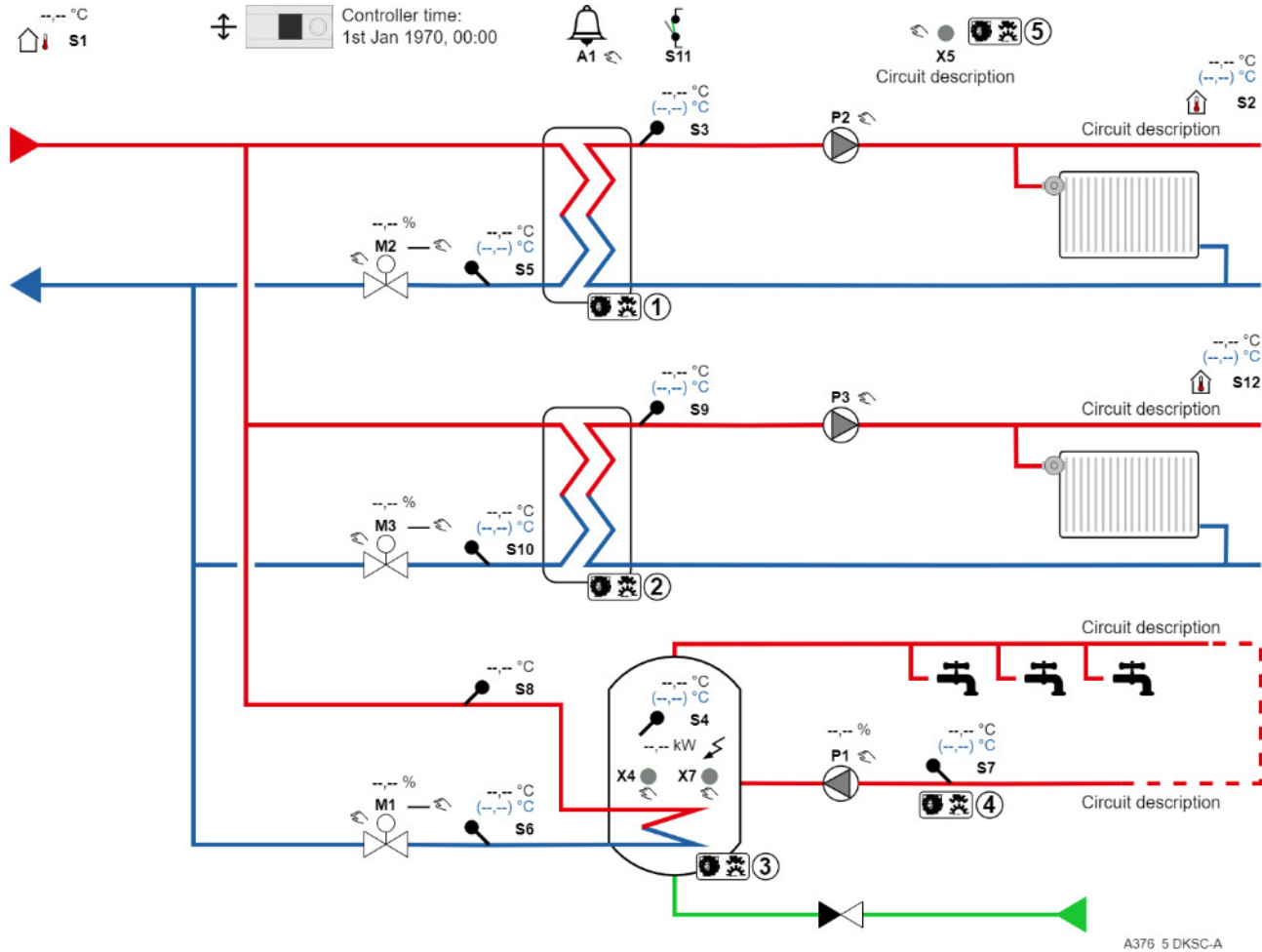
A376 4 DKSC-A5

Leanheat[®] Monitor – A376.4 DKSC-A6

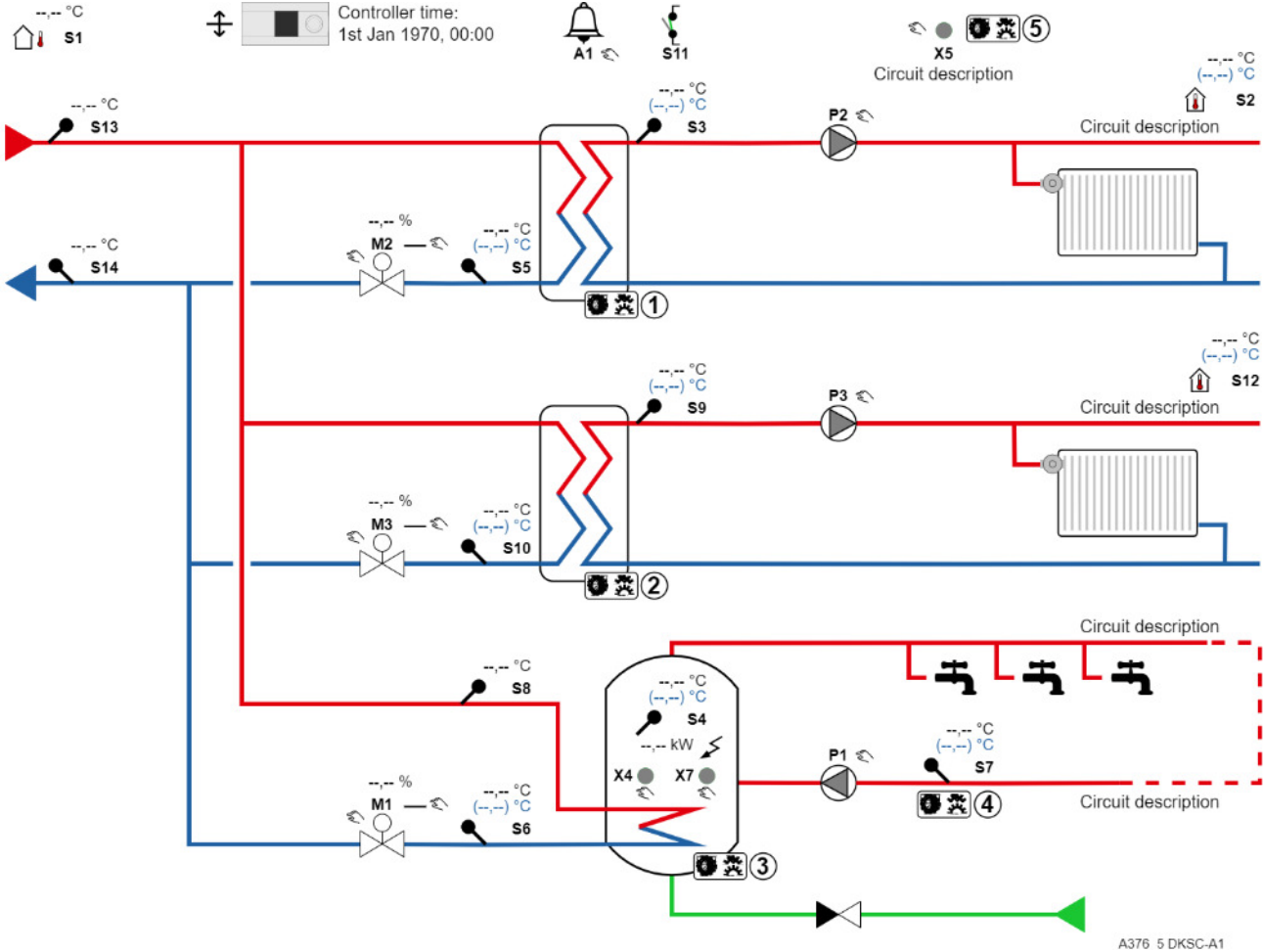


A376 4 DKSC-A6

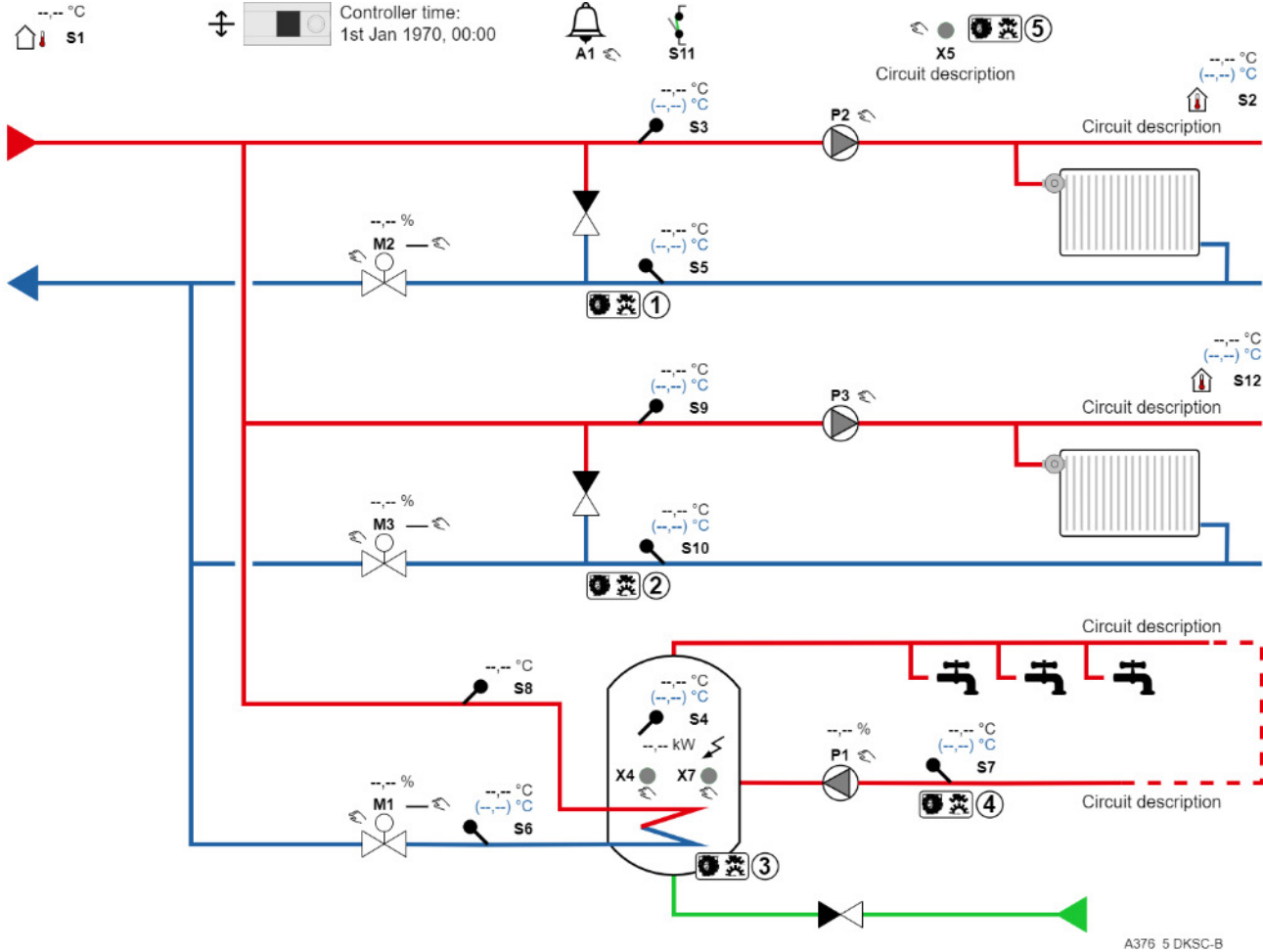
Leanheat[®] Monitor – A376.5 DKSC-A



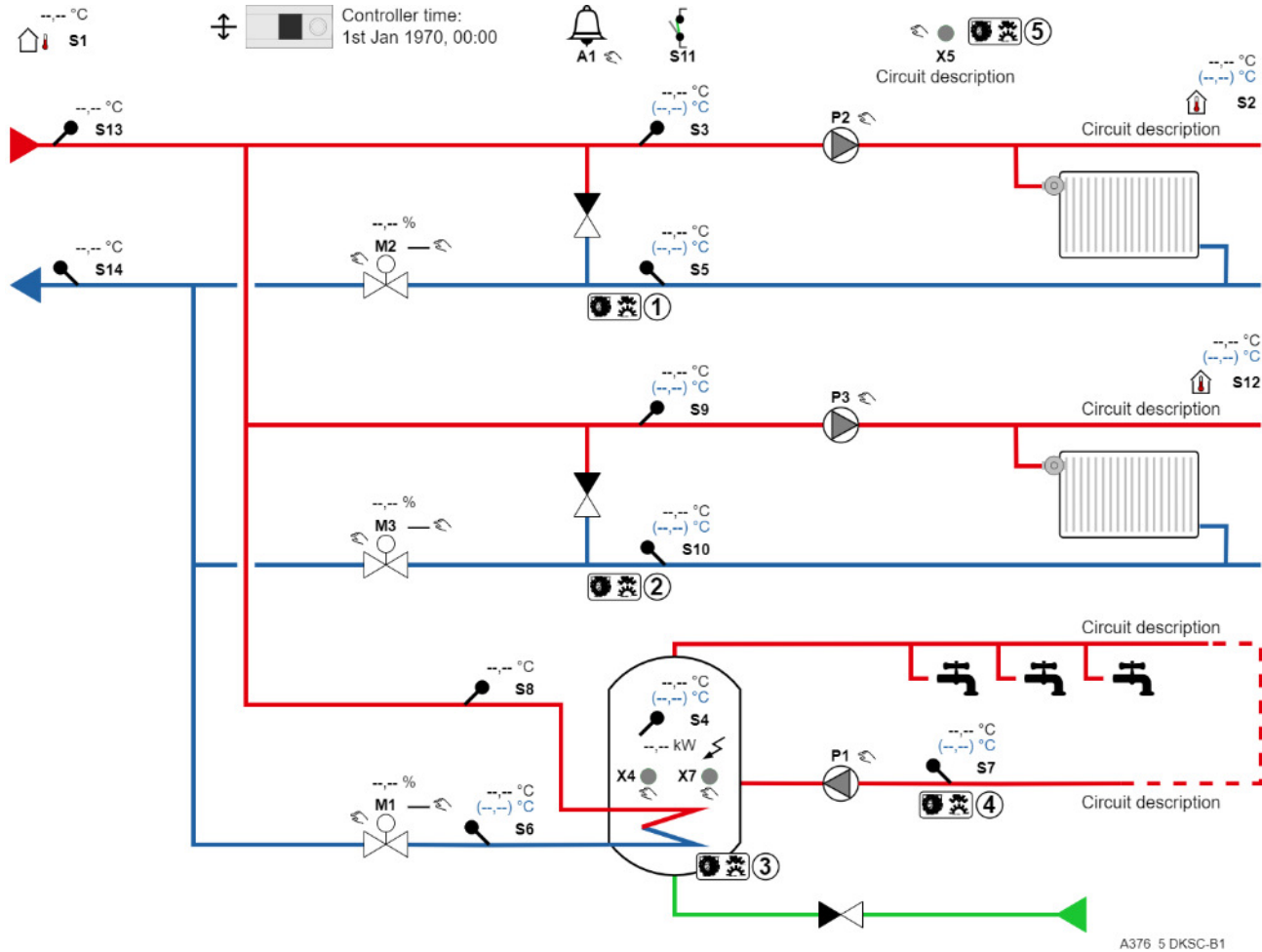
Leanheat[®] Monitor – A376.5 DKSC-A1



Leanheat[®] Monitor – A376.5 DKSC-B

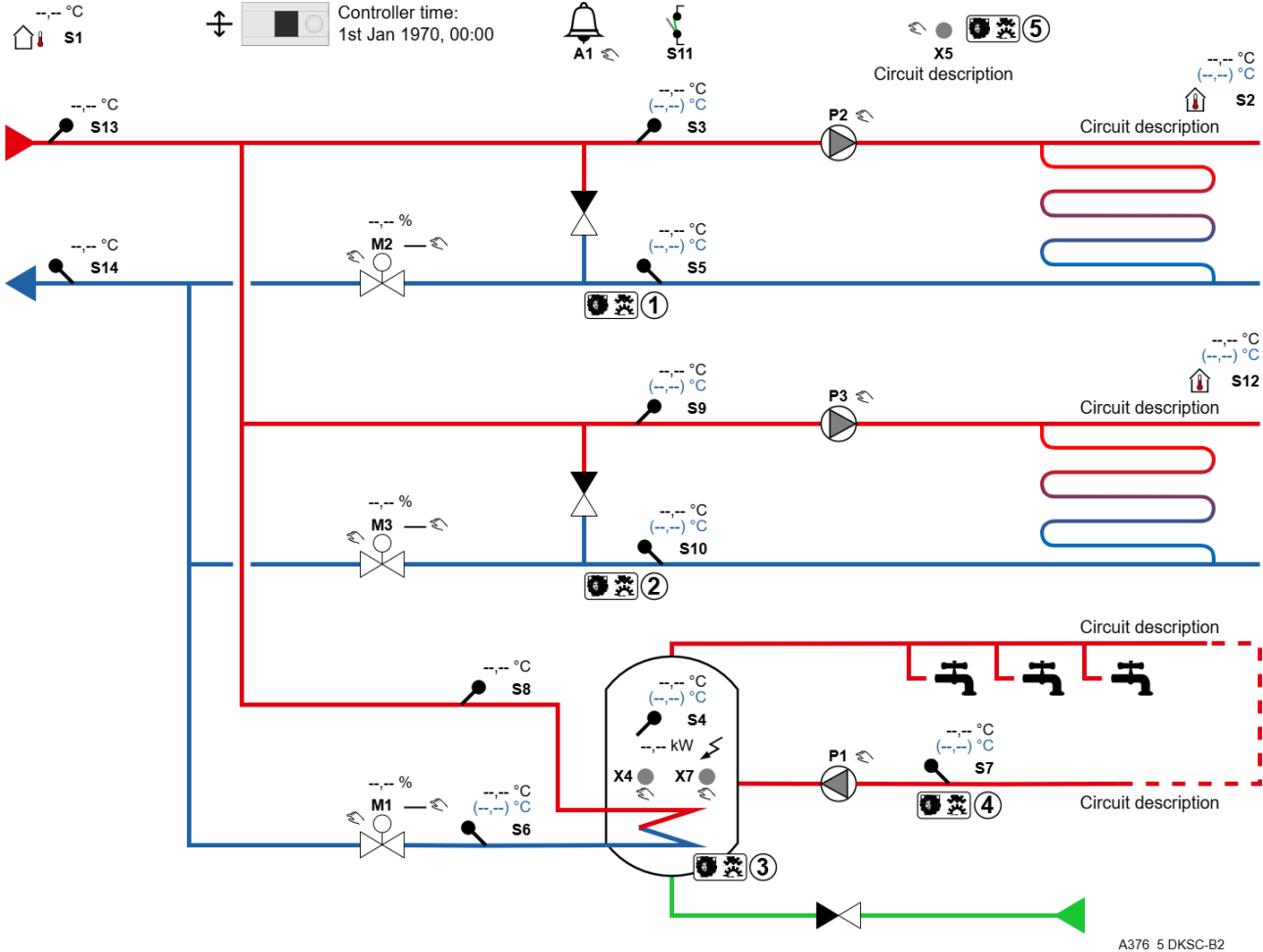


Leanheat[®] Monitor – A376.5 DKSC-B1

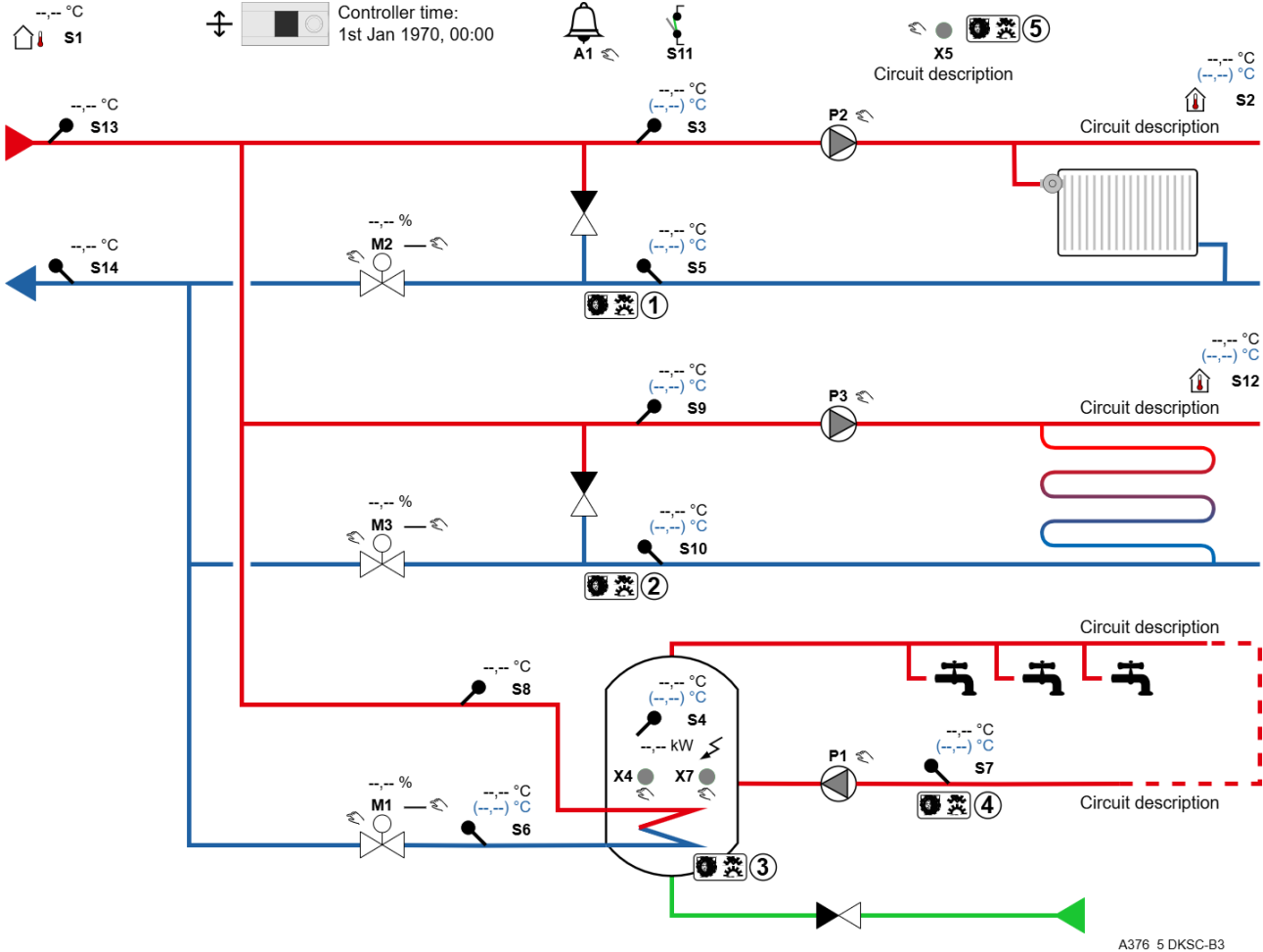


A376 5 DKSC-B1

Leanheat[®] Monitor – A376.5 DKSC-B2

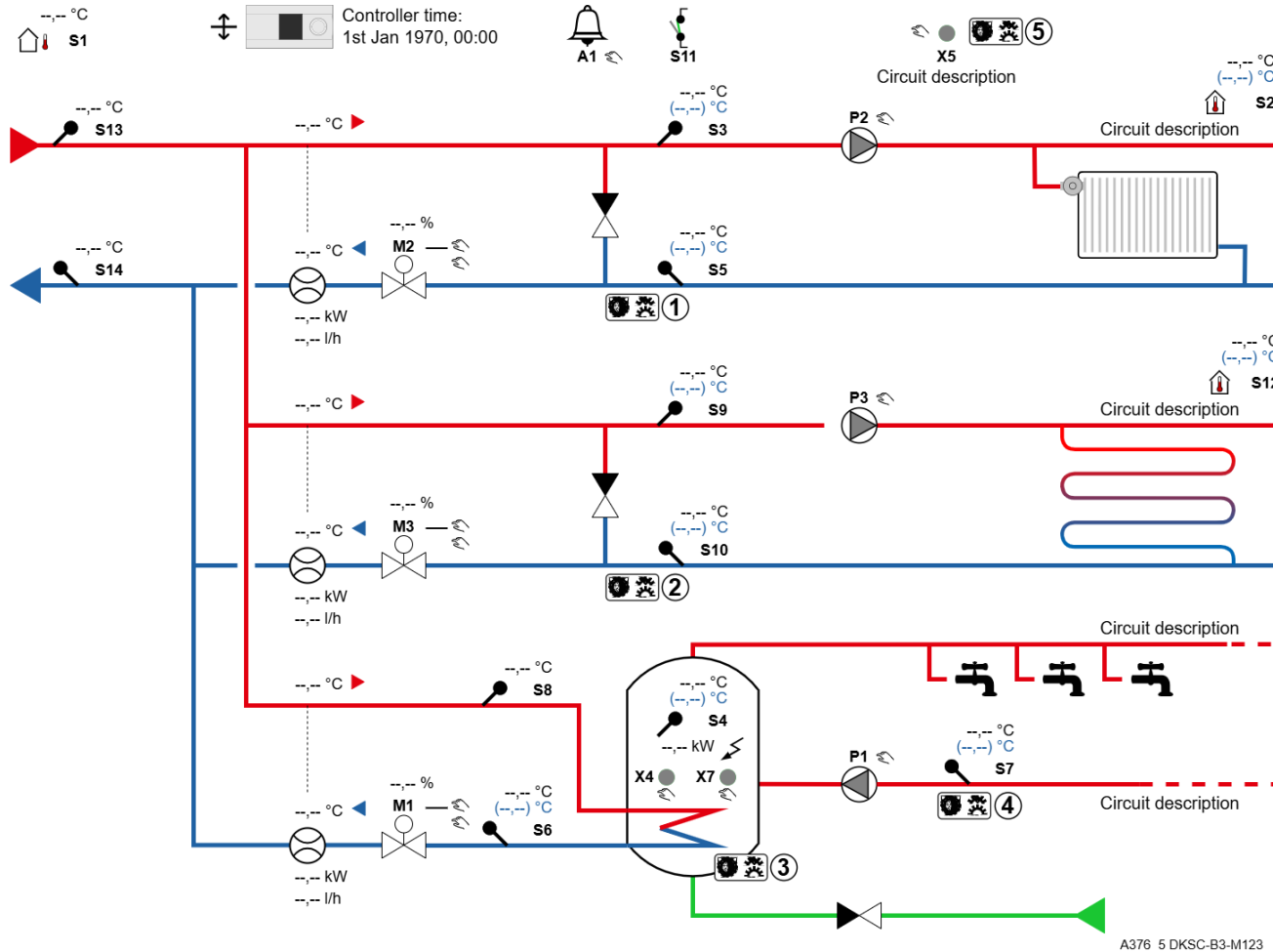


Leanheat® Monitor – A376.5 DKSC-B3



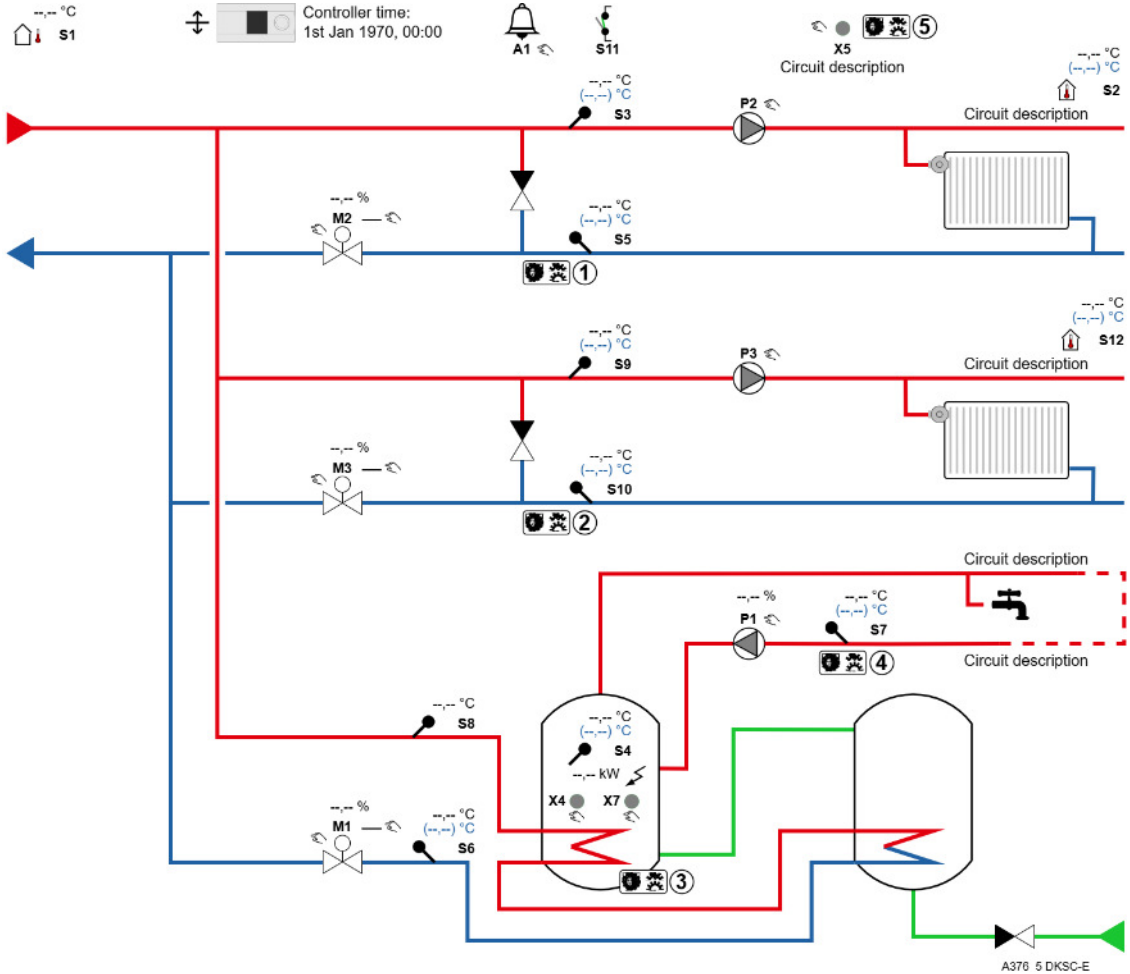
A376 5 DKSC-B3

Leanheat[®] Monitor – A376.5 DKSC-B3-M123

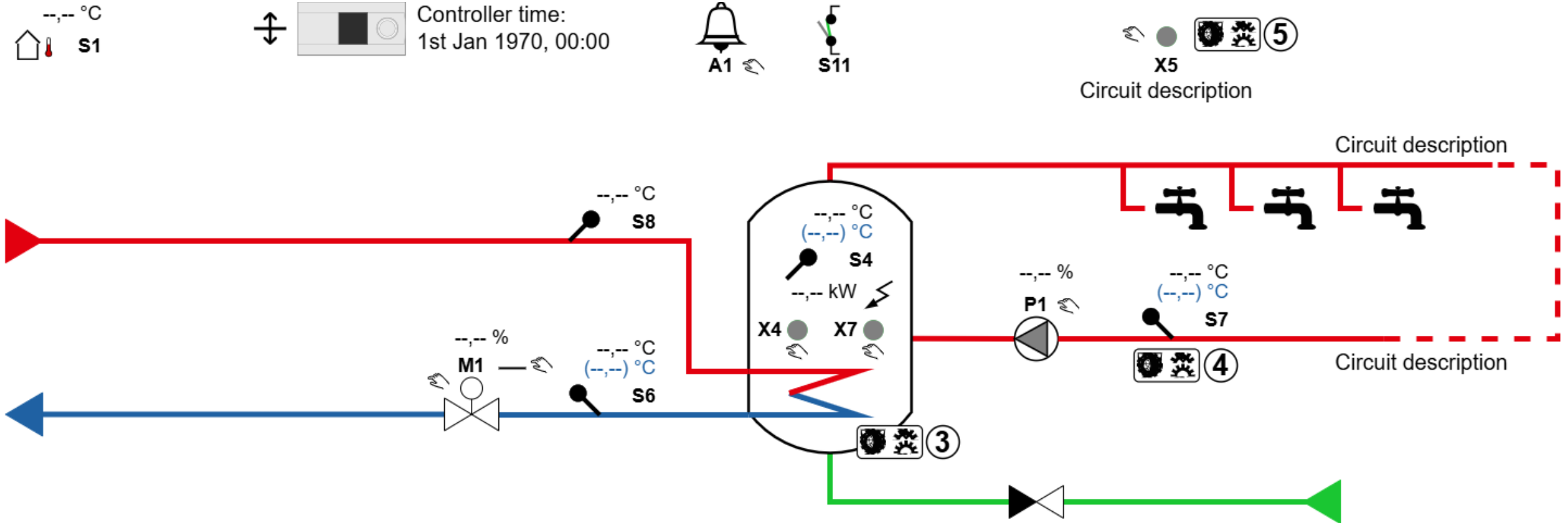


A376 5 DKSC-B3-M123

Leanheat[®] Monitor – A376.5 DKSC-E

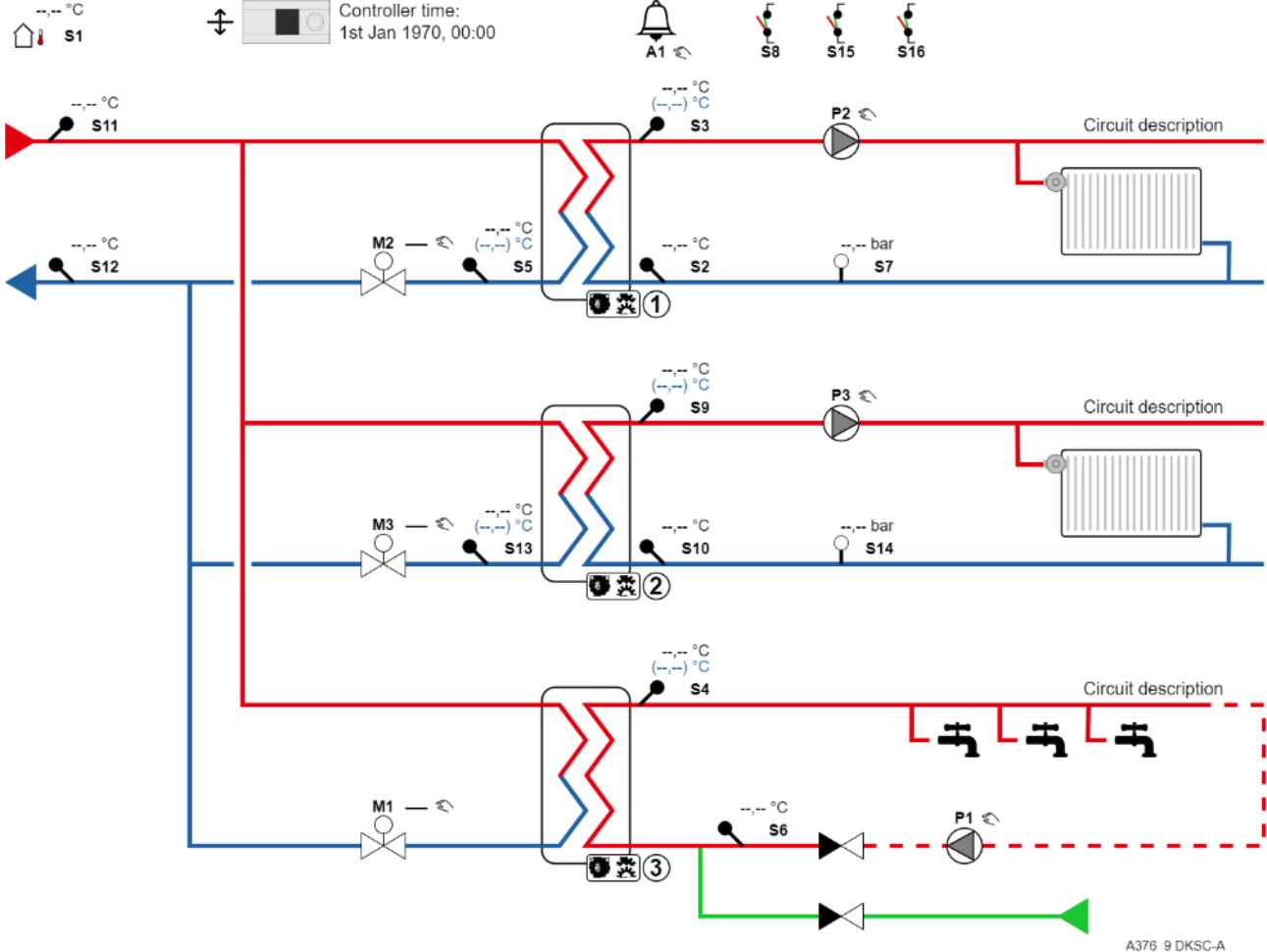


Leanheat[®] Monitor – A376.5 DKSC-F

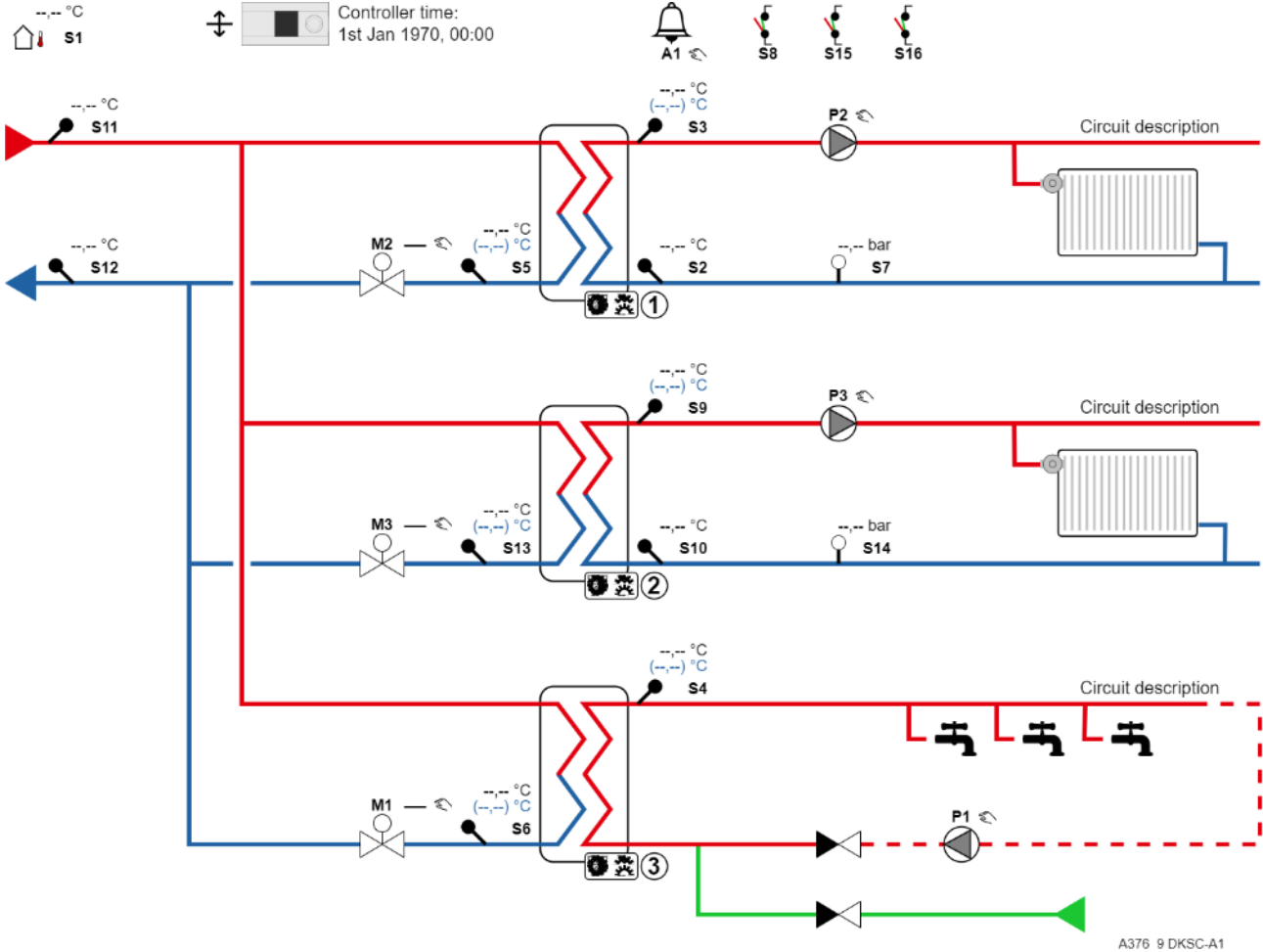


A376 5 DKSC-F

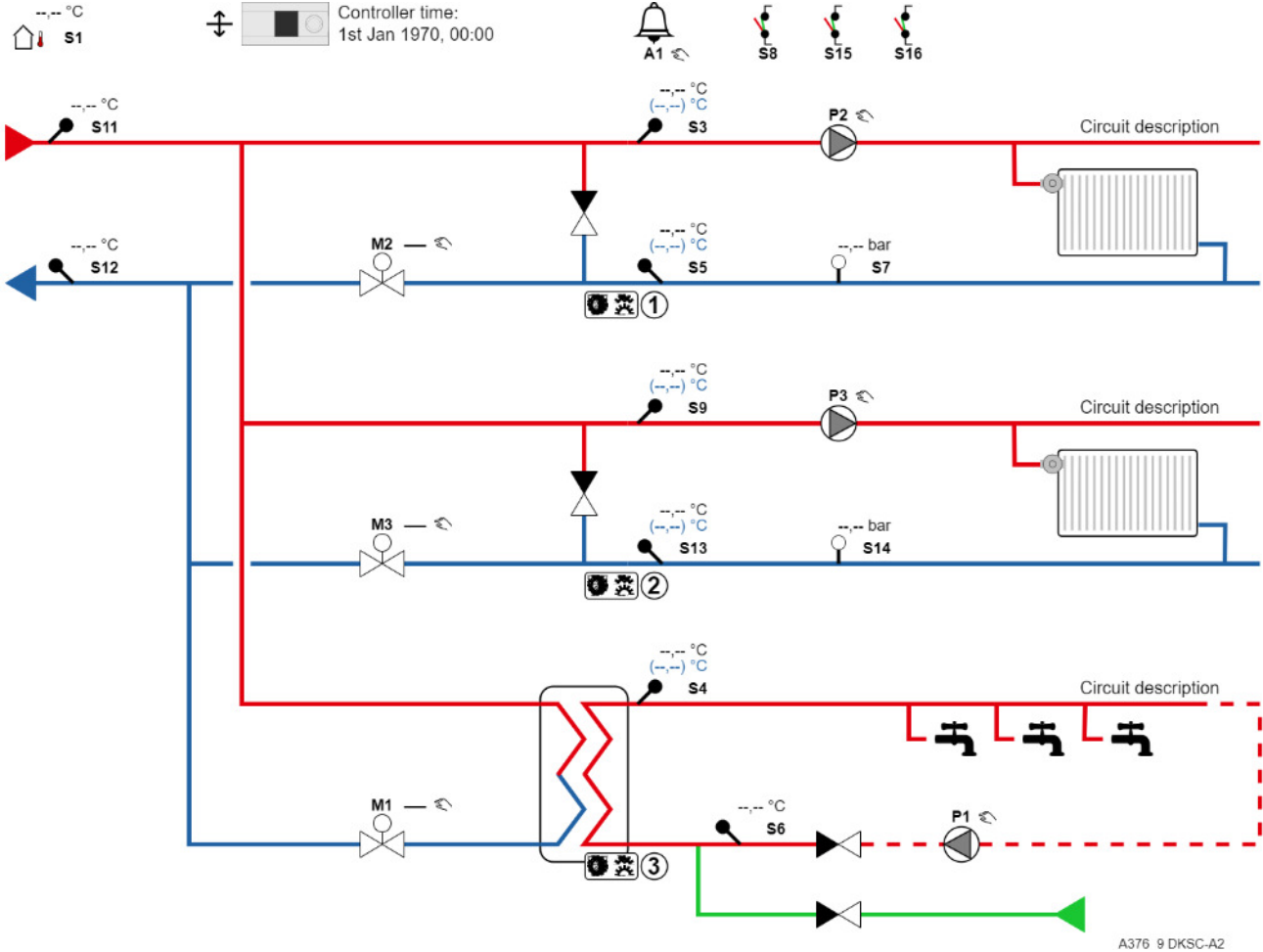
Leanheat[®] Monitor – A376.9 DKSC-A



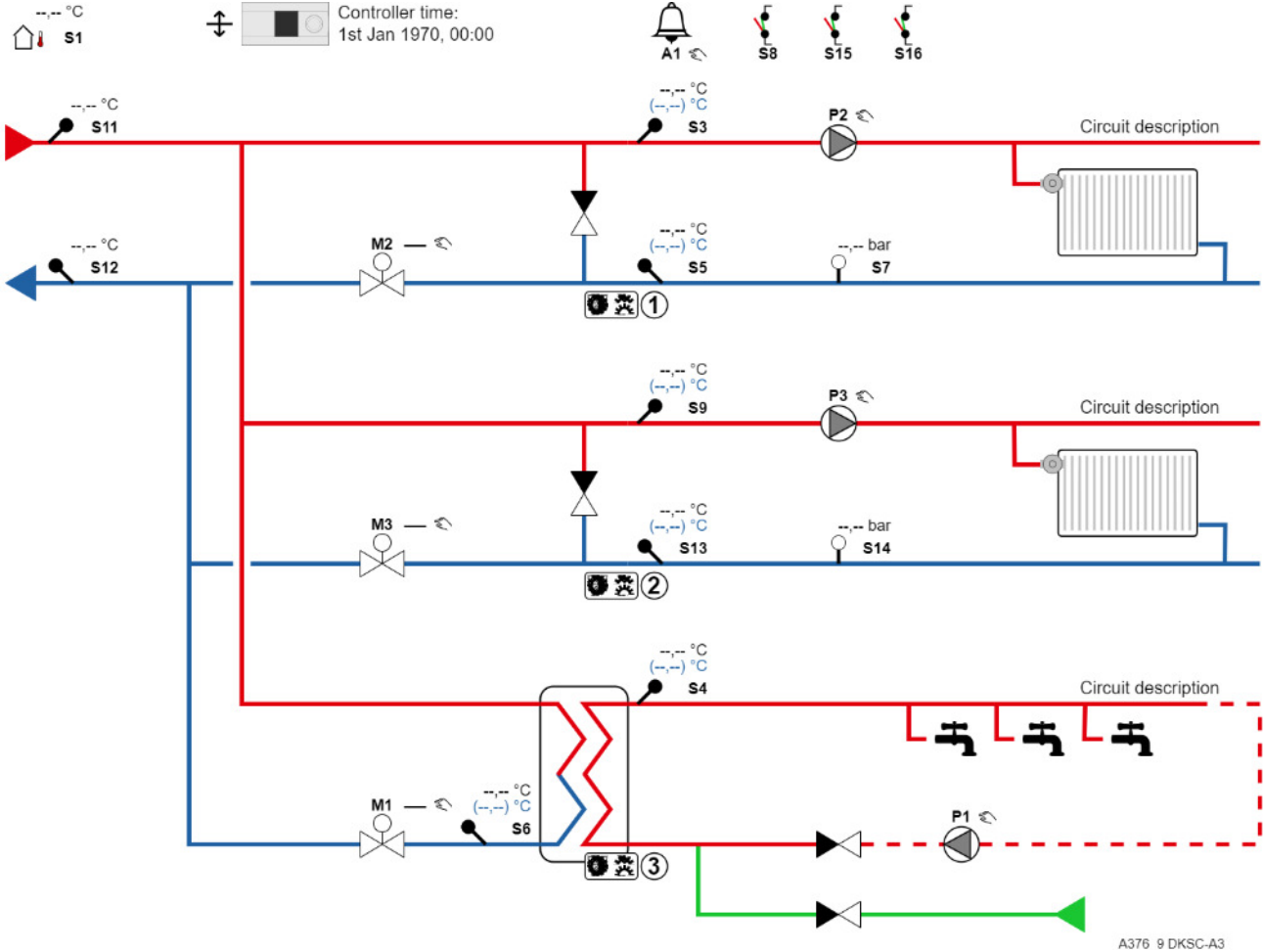
Leanheat[®] Monitor – A376.9 DKSC-A1



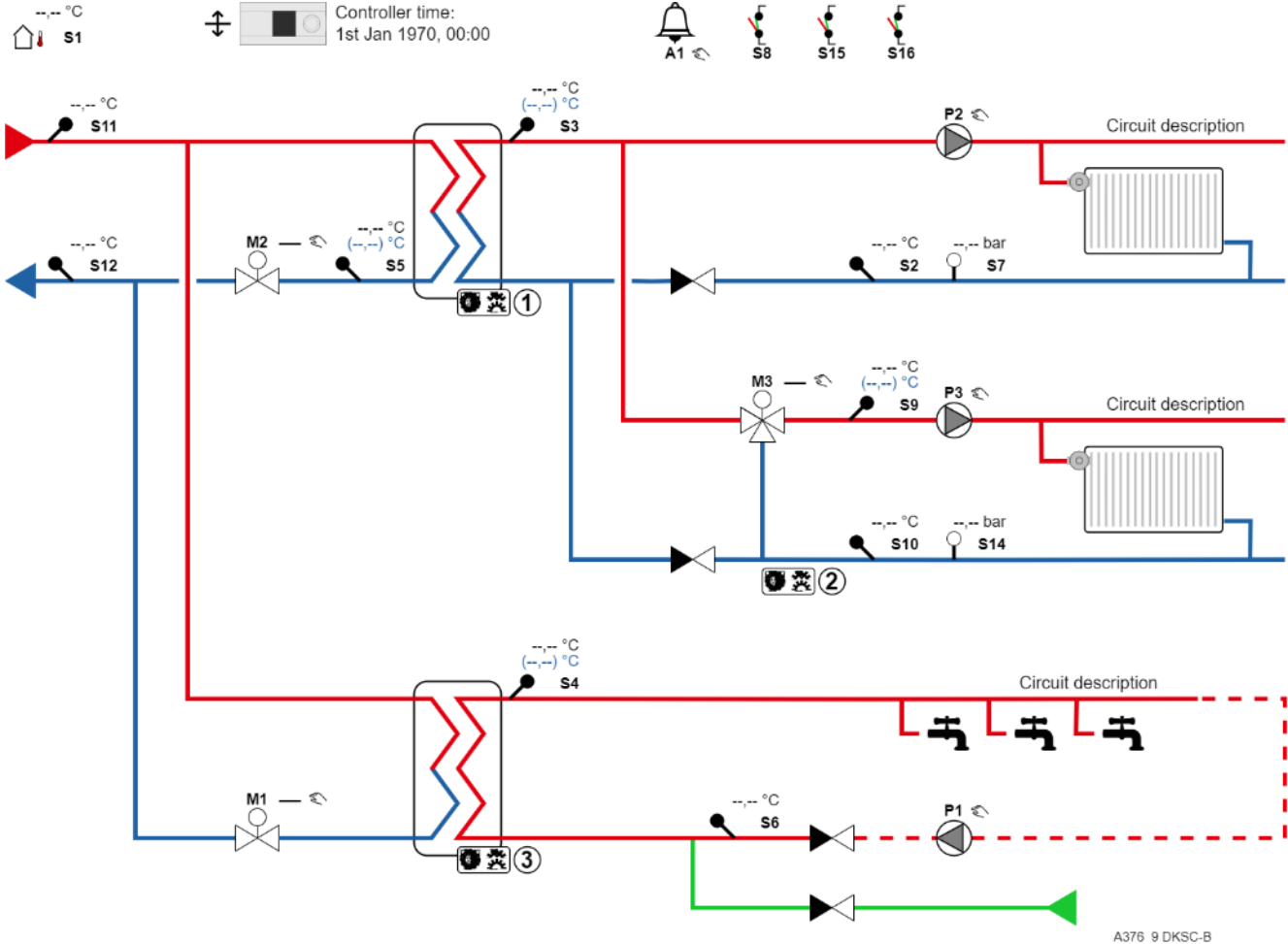
Leanheat® Monitor – A376.9 DKSC-A2



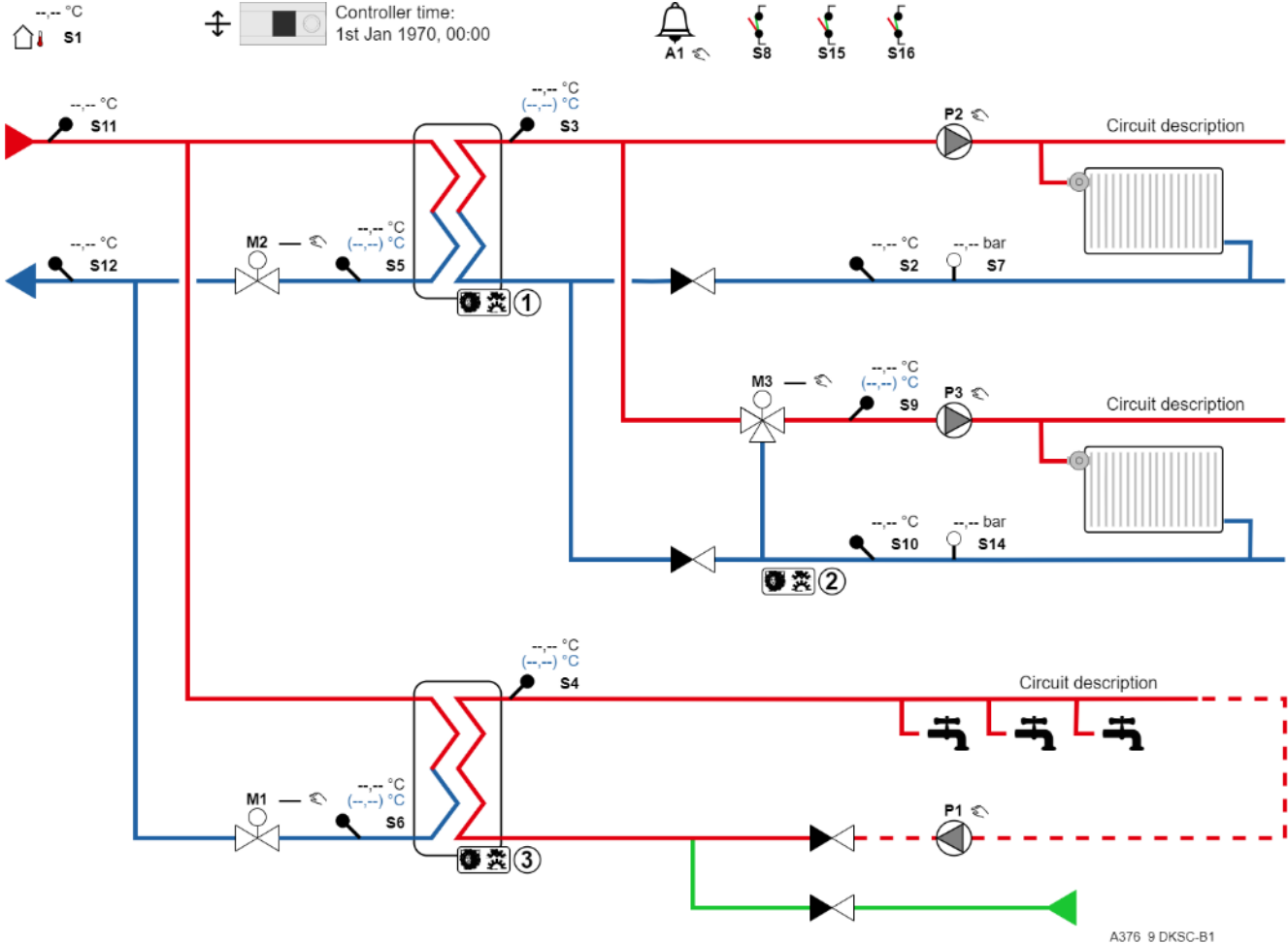
Leanheat[®] Monitor – A376.9 DKSC-A3



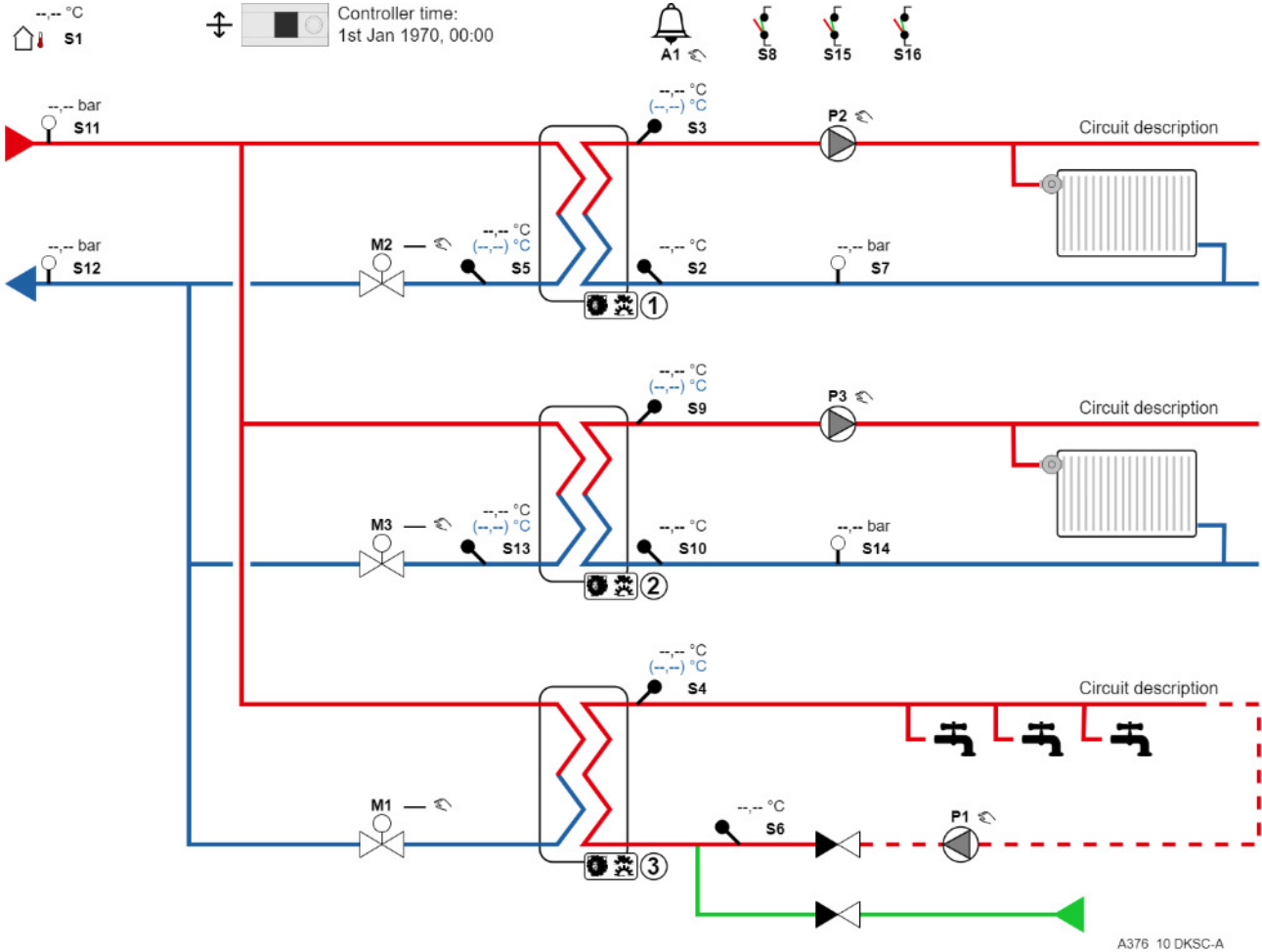
Leanheat® Monitor – A376.9 DKSC-B



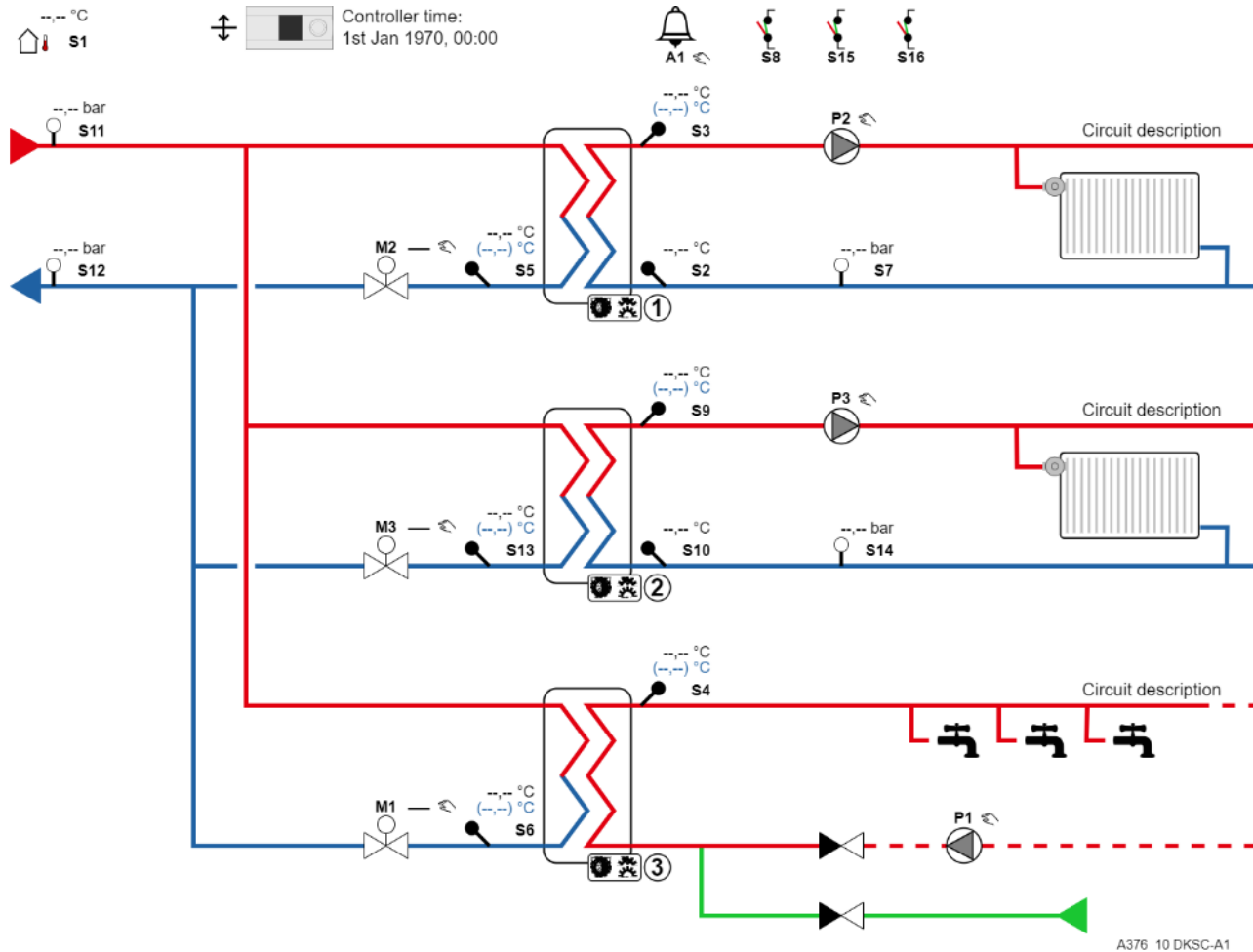
Leanheat[®] Monitor – A376.9 DKSC-B1



Leanheat[®] Monitor – A376.10 DKSC-A

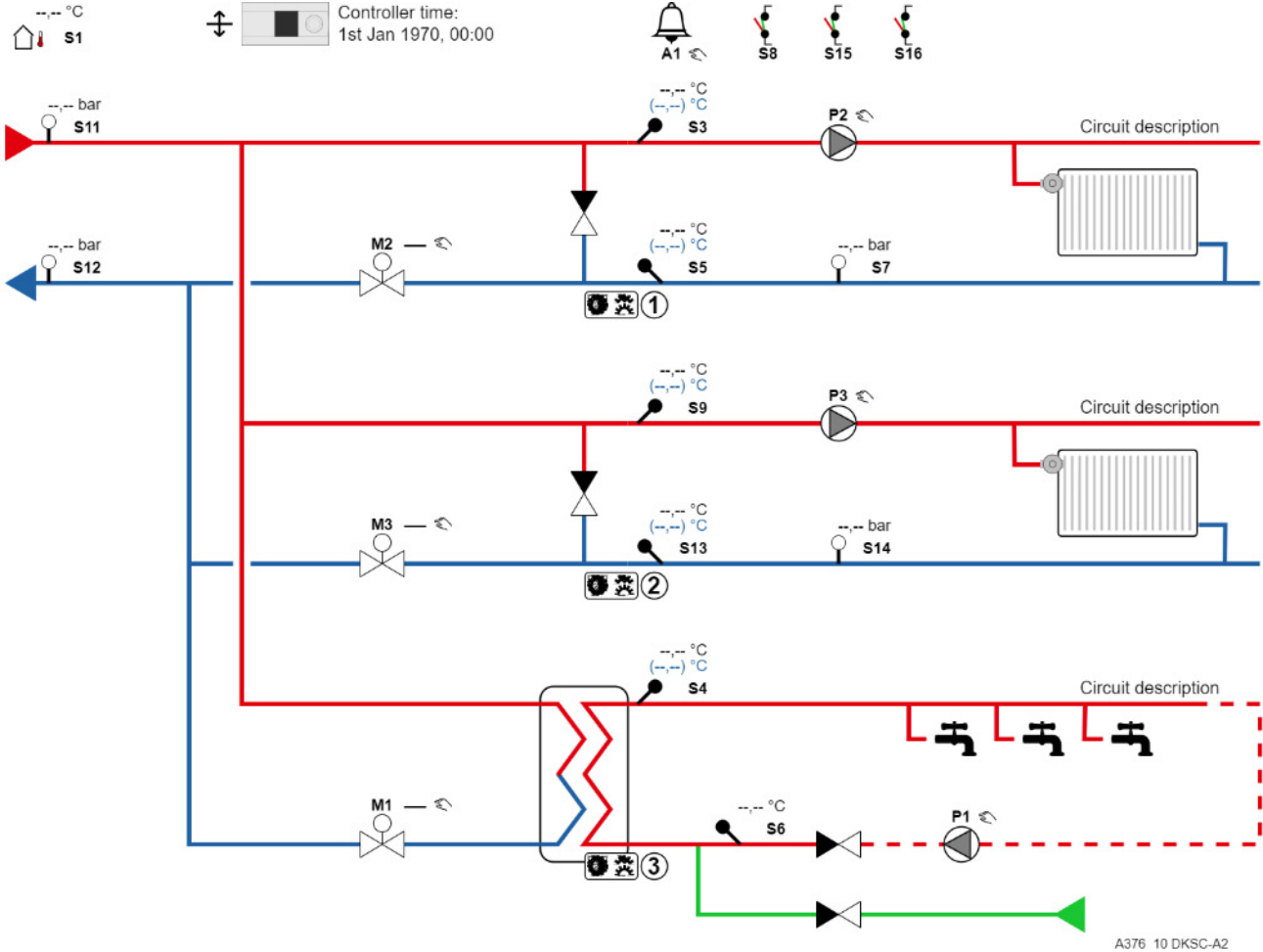


Leanheat[®] Monitor – A376.10 DKSC-A1

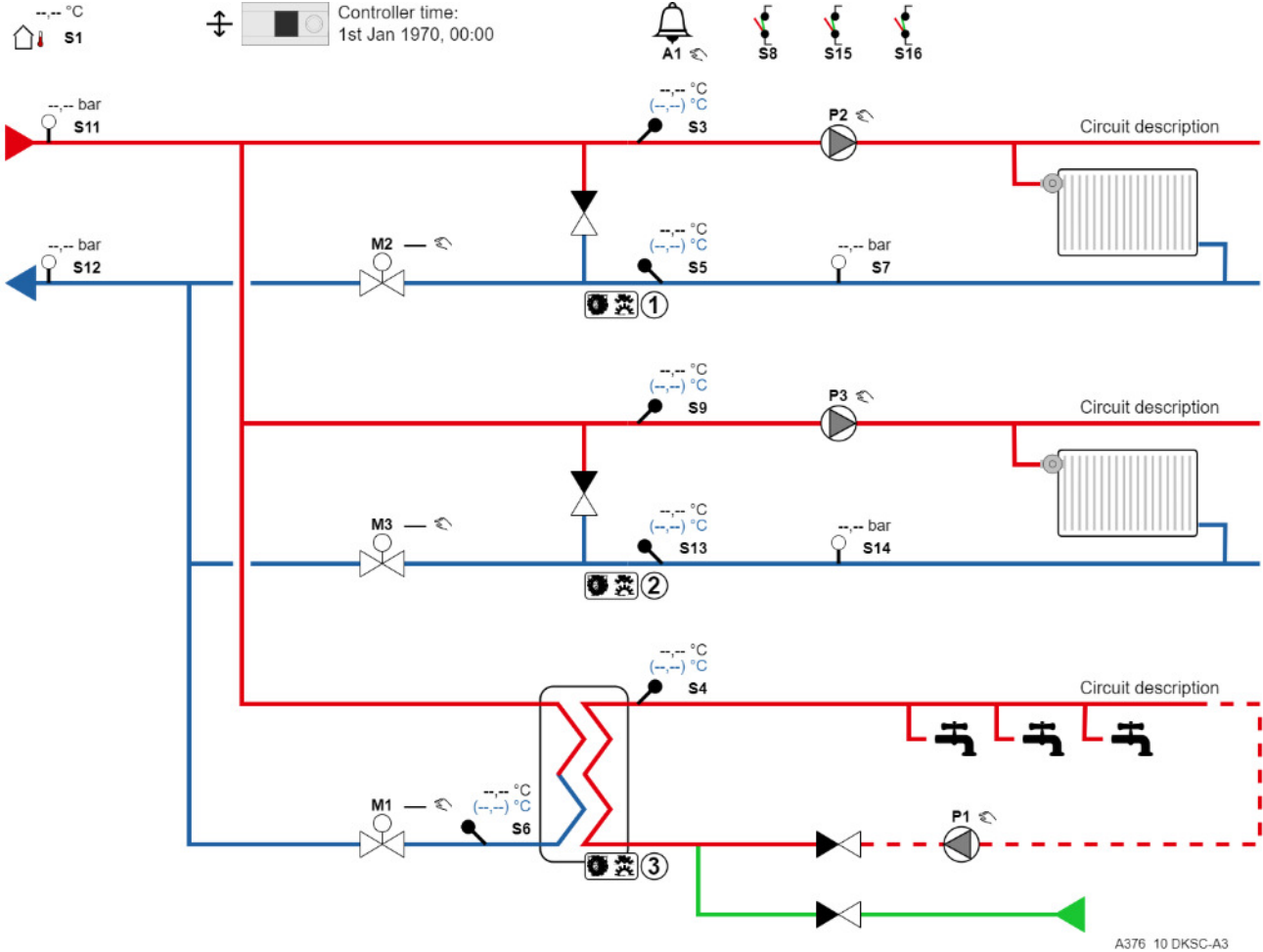


A376 10 DKSC-A1

Leanheat[®] Monitor – A376.10 DKSC-A2



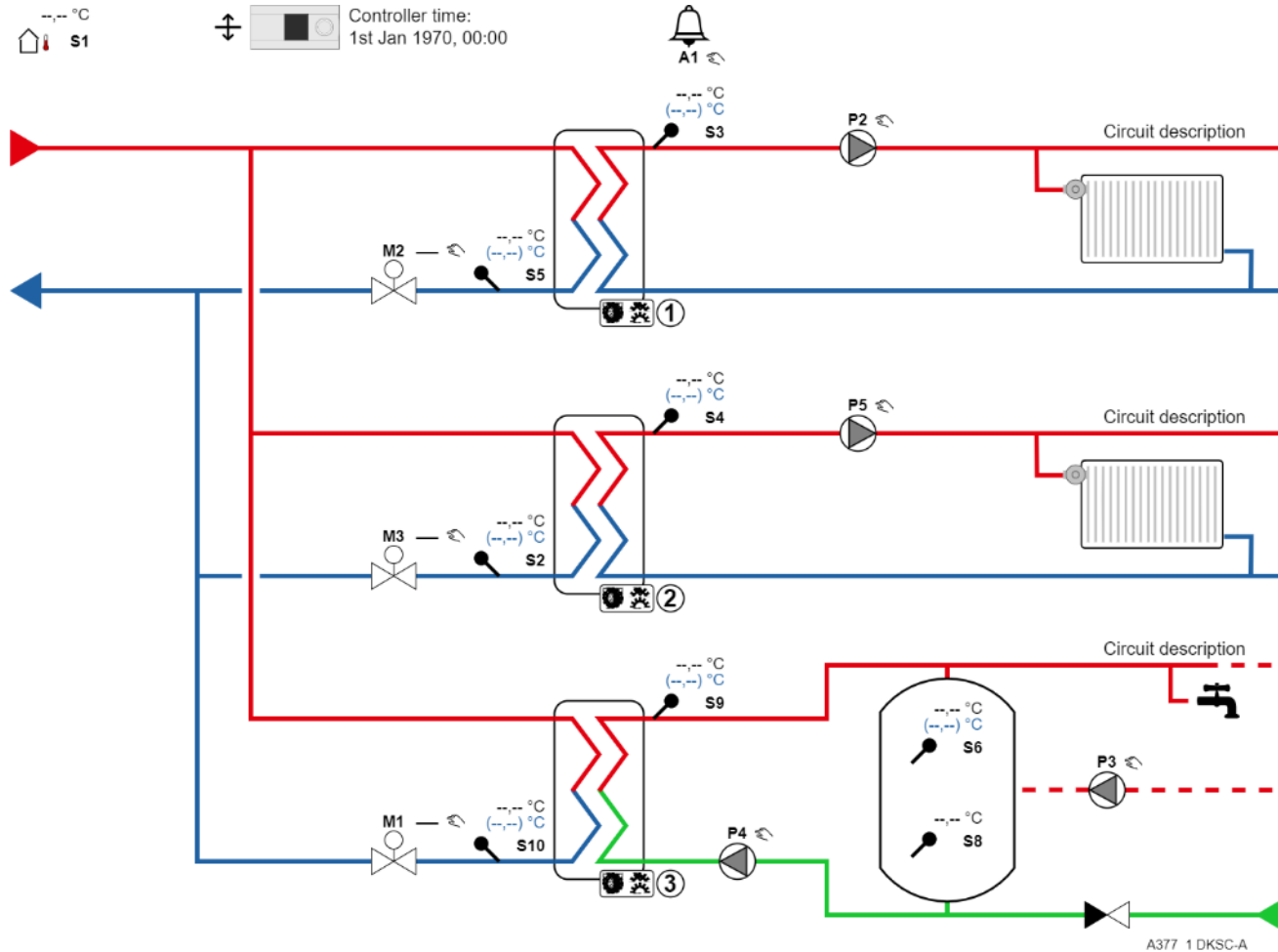
Leanheat[®] Monitor – A376.10 DKSC-A3



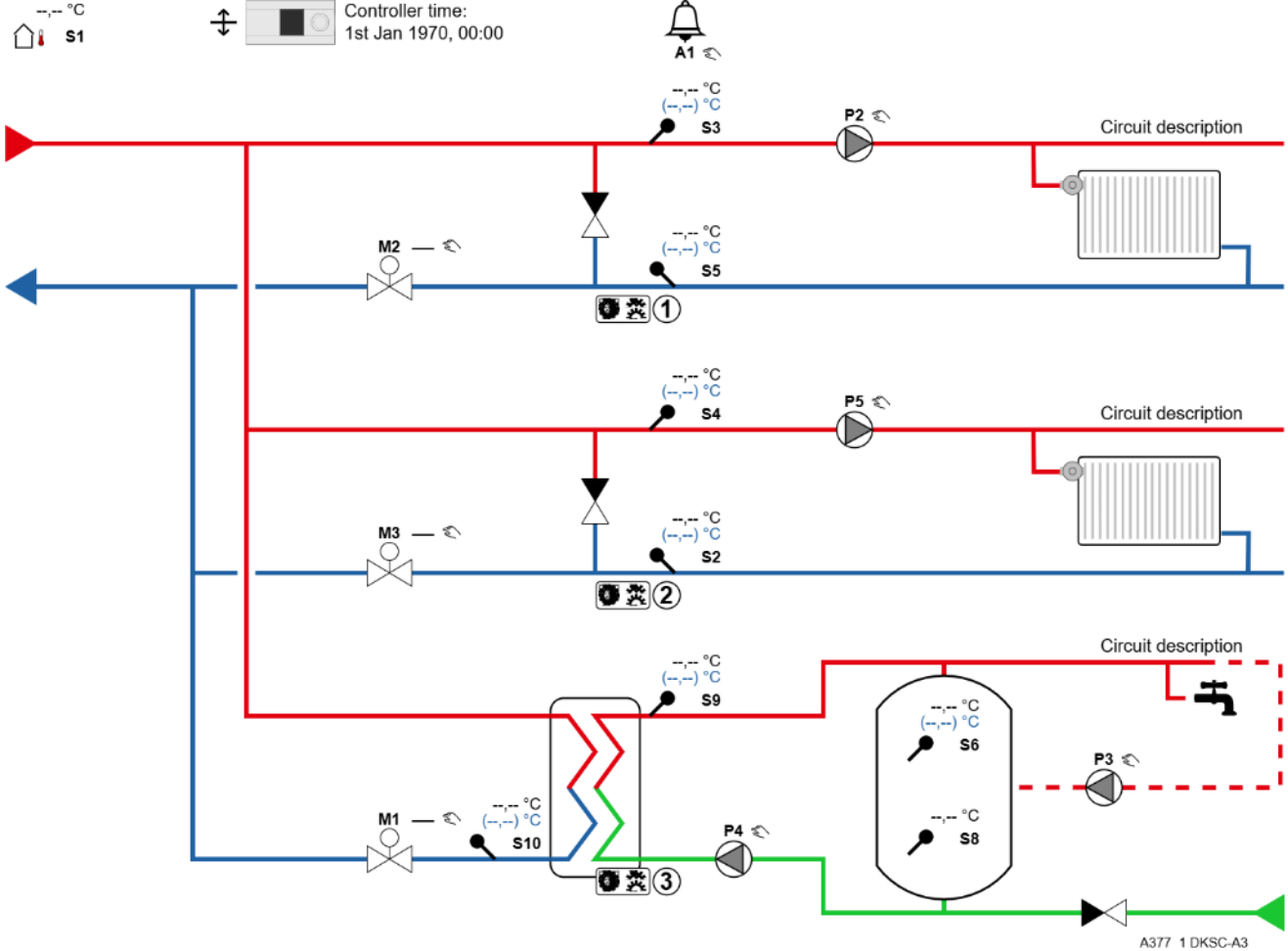
A377



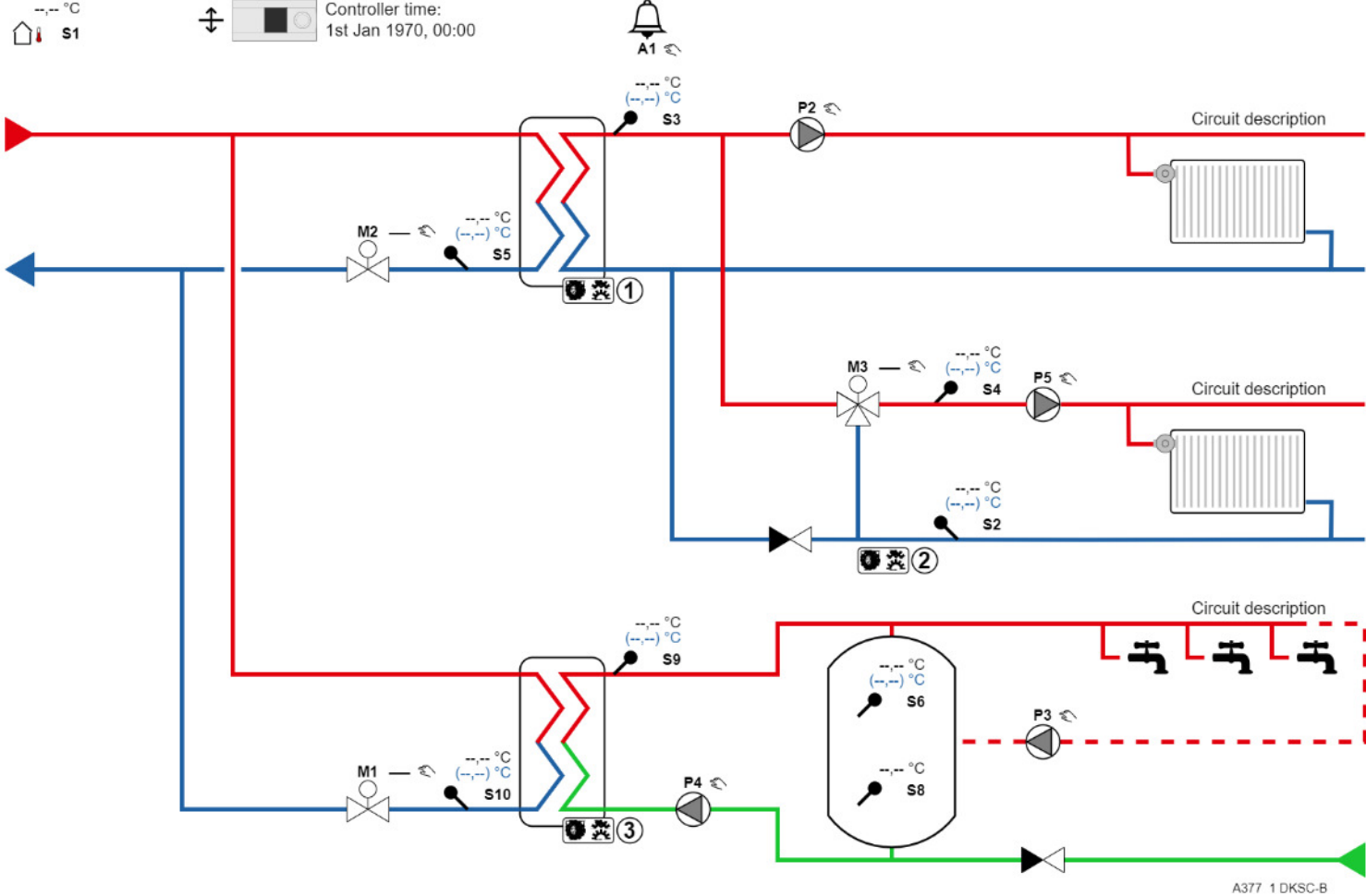
Leanheat[®] Monitor – A377.1 DKSC-A



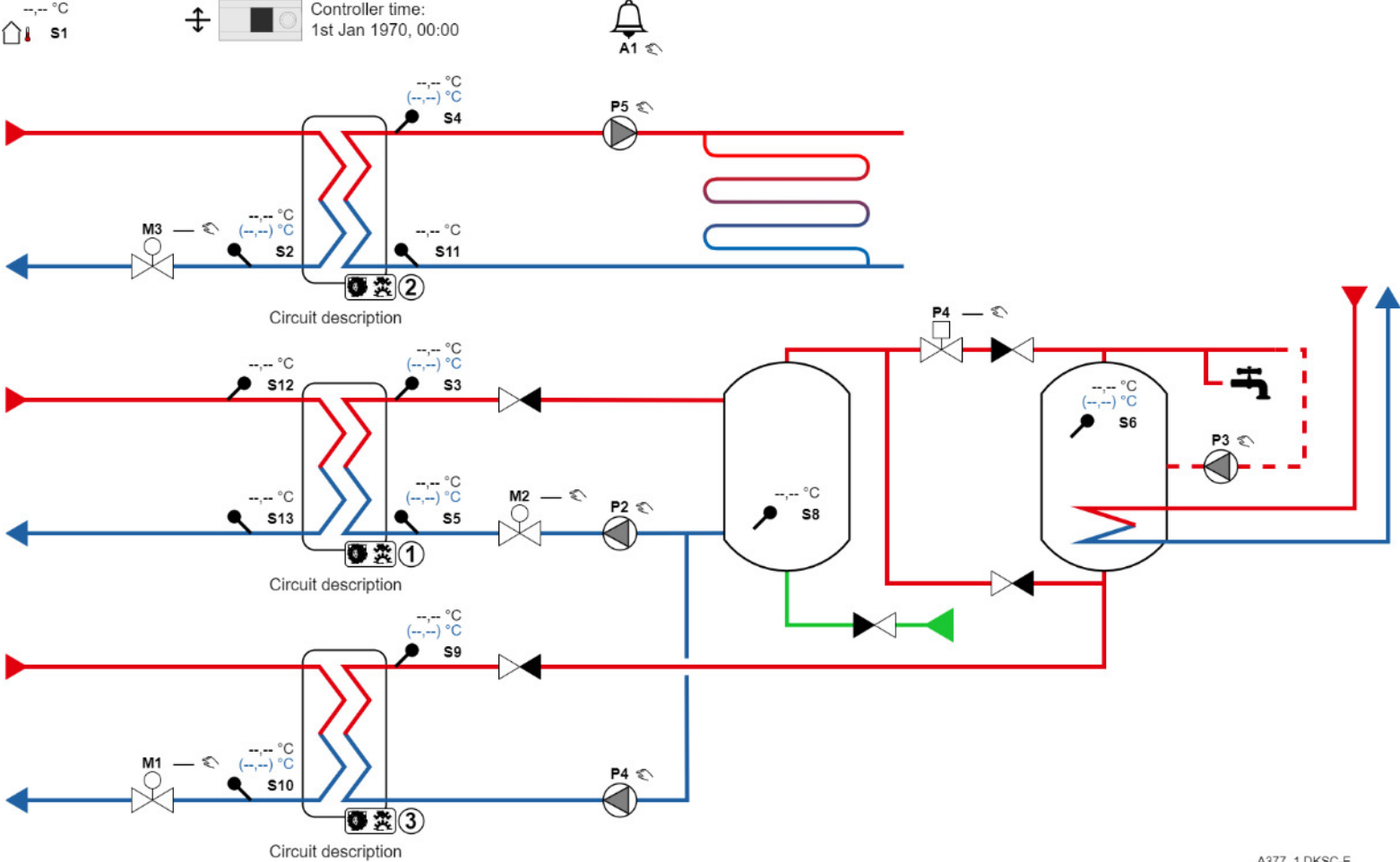
Leanheat[®] Monitor – A377.1 DKSC-A3



Leanheat[®] Monitor – A377.1 DKSC-B

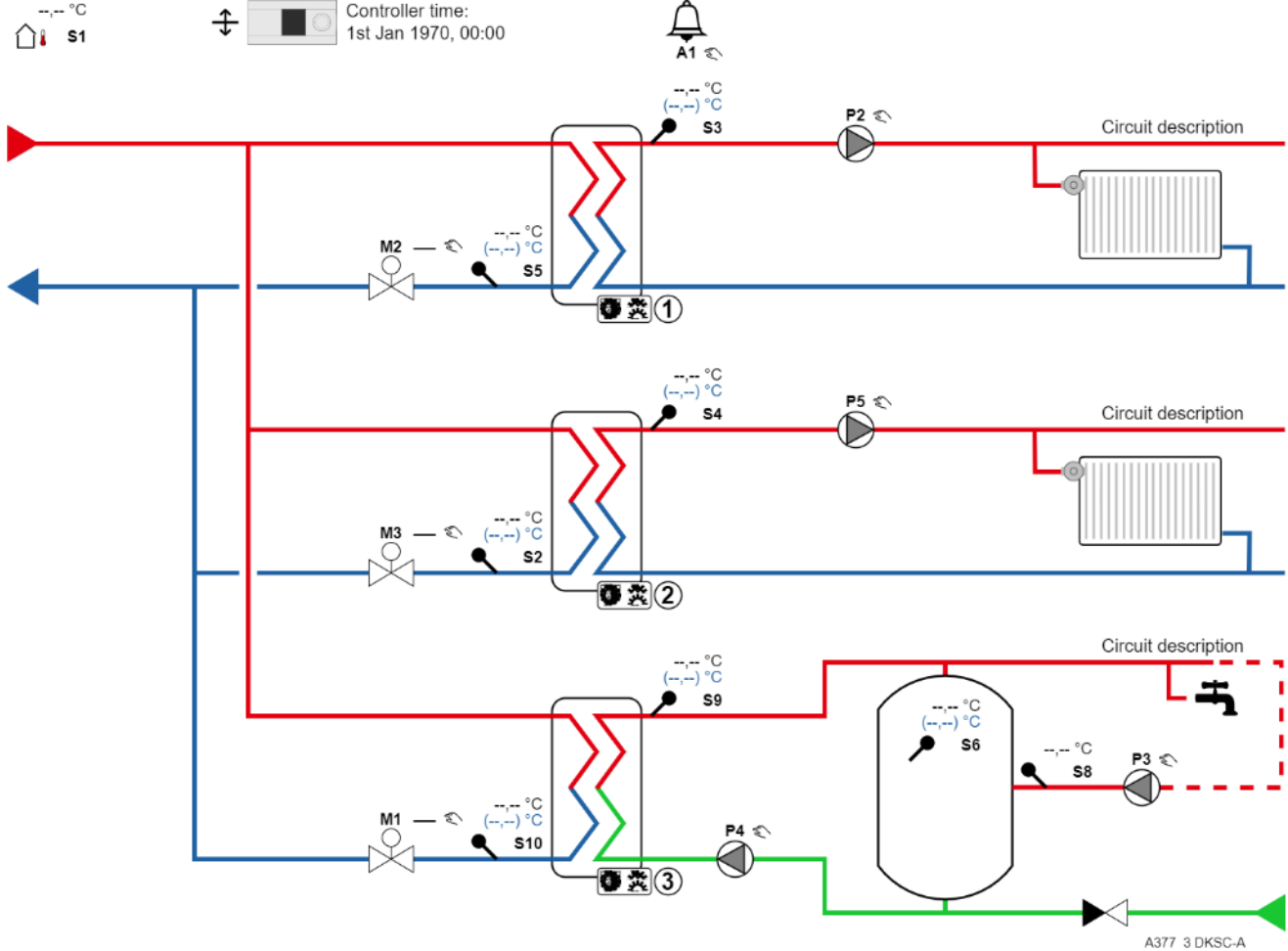


Leanheat® Monitor – A377.1 DKSC-E



A377 1 DKSC-E

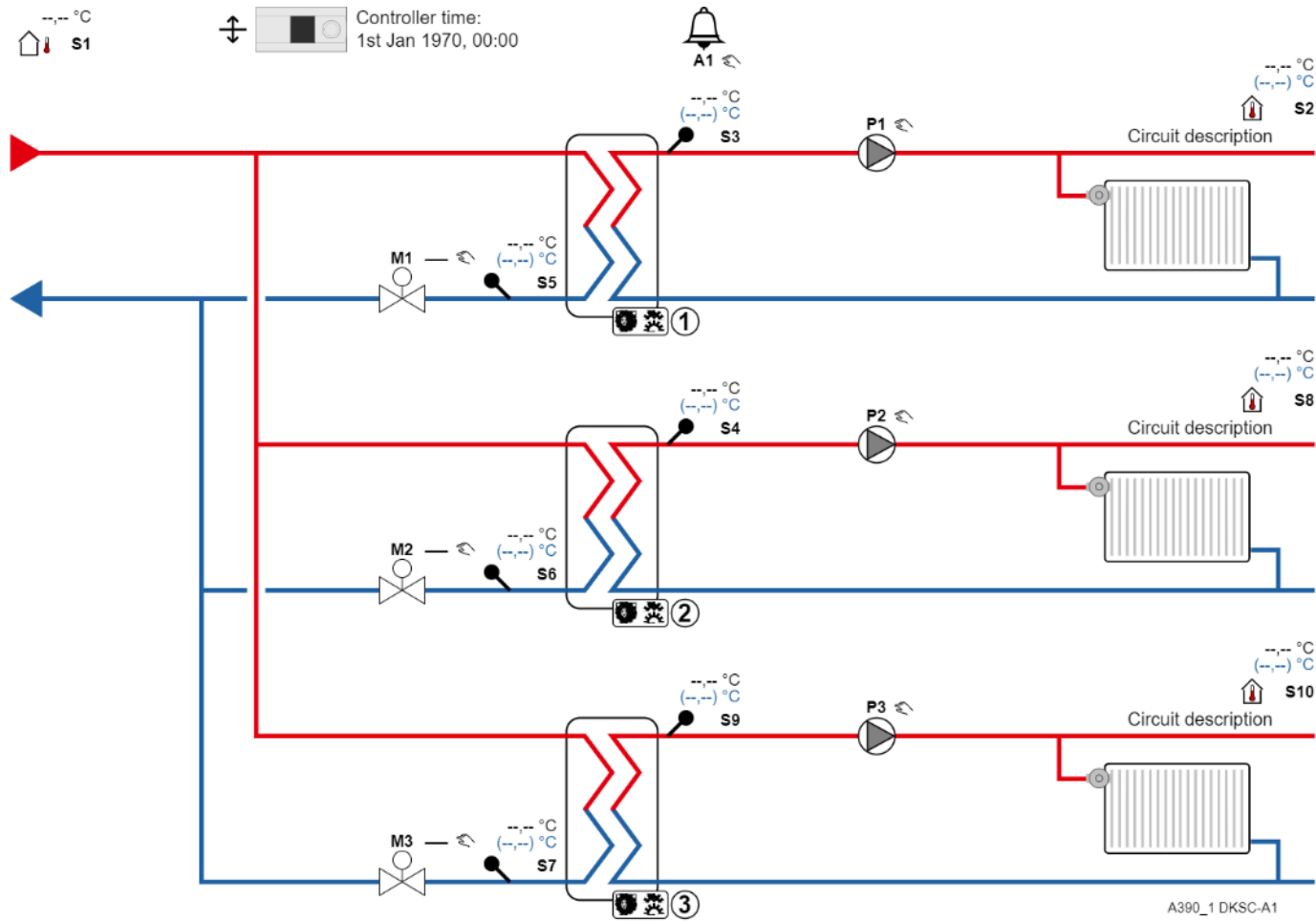
Leanheat[®] Monitor – A377.3 DKSC-A



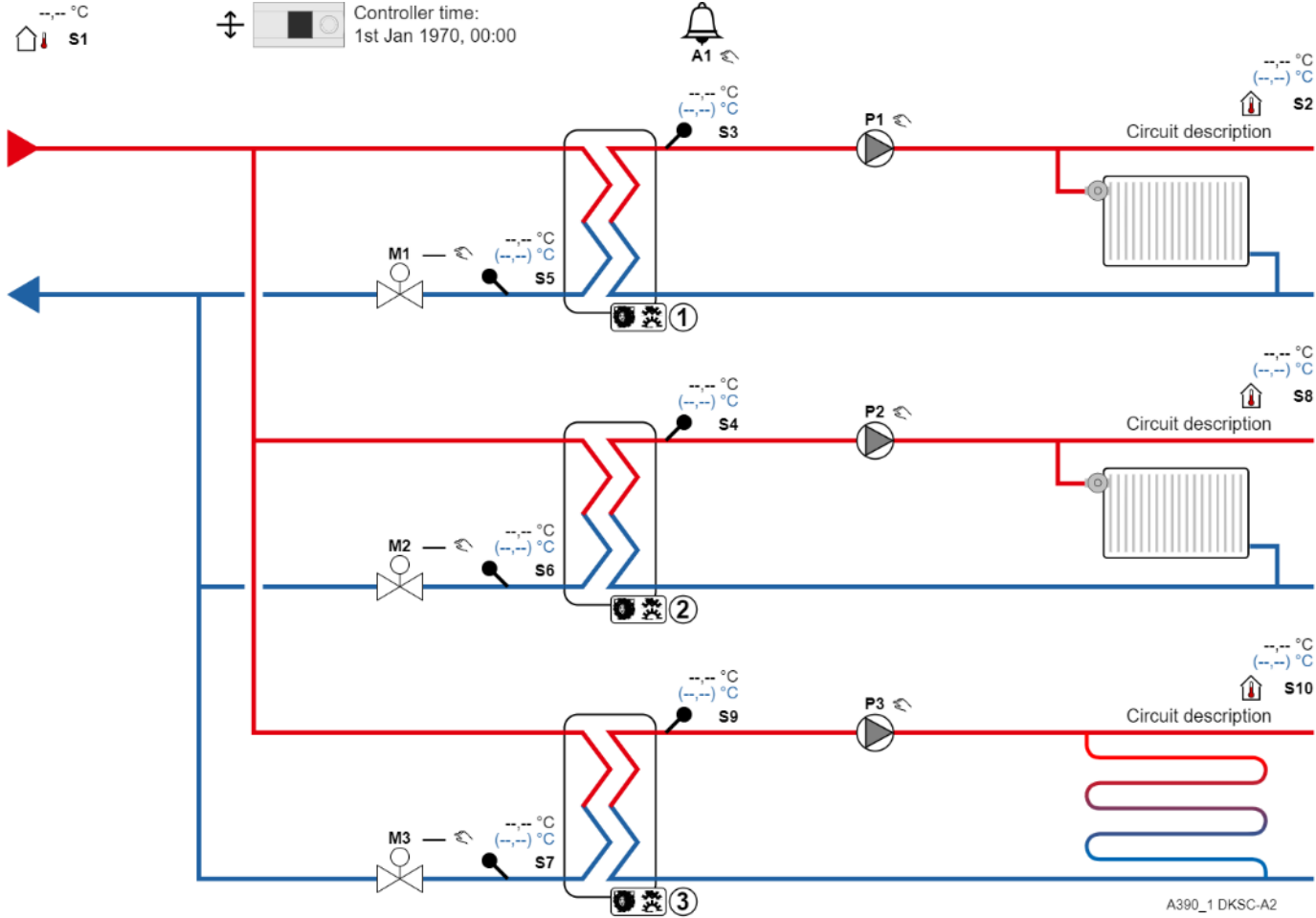
A390



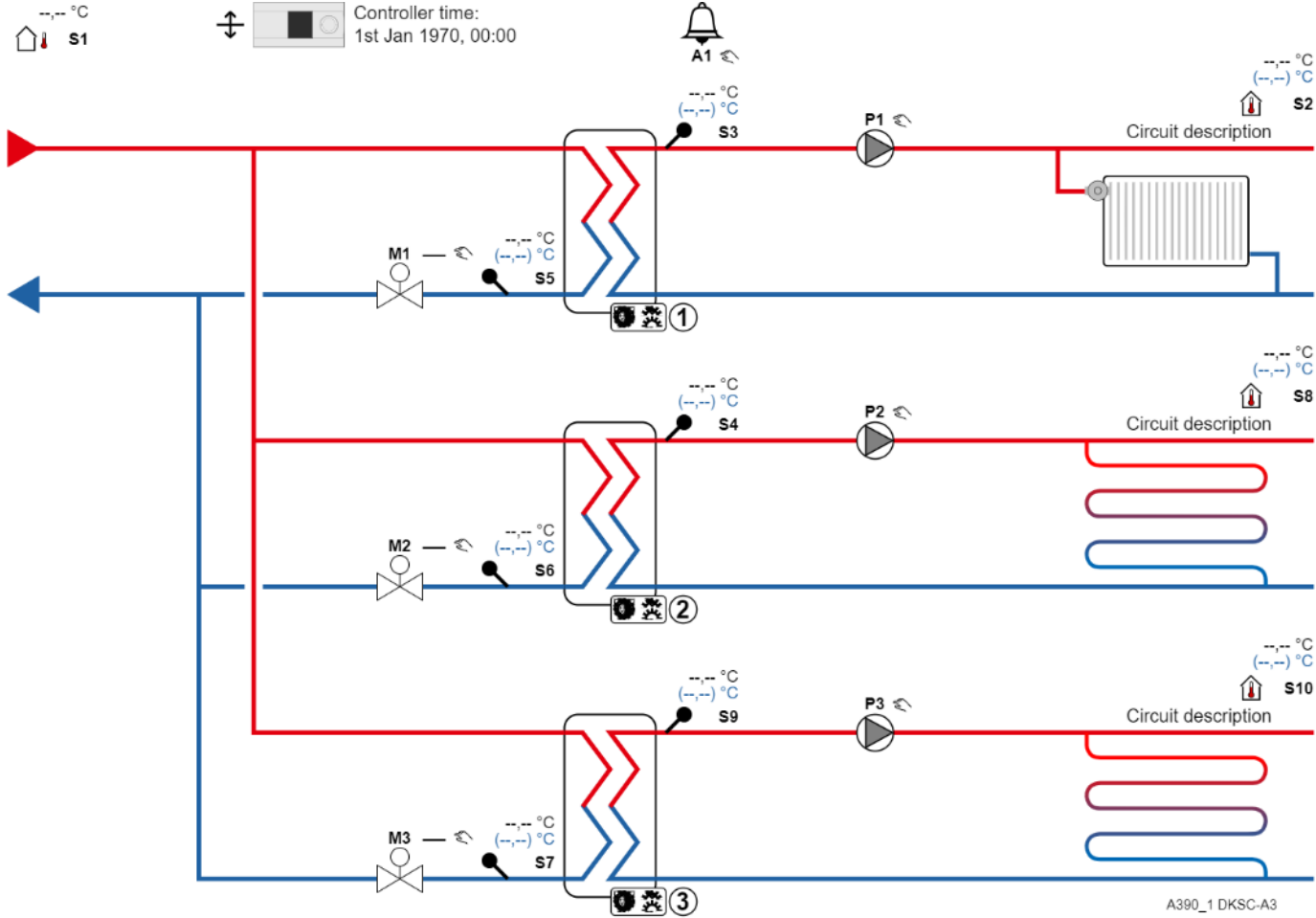
Leanheat® Monitor – A390.1 DKSC-A1



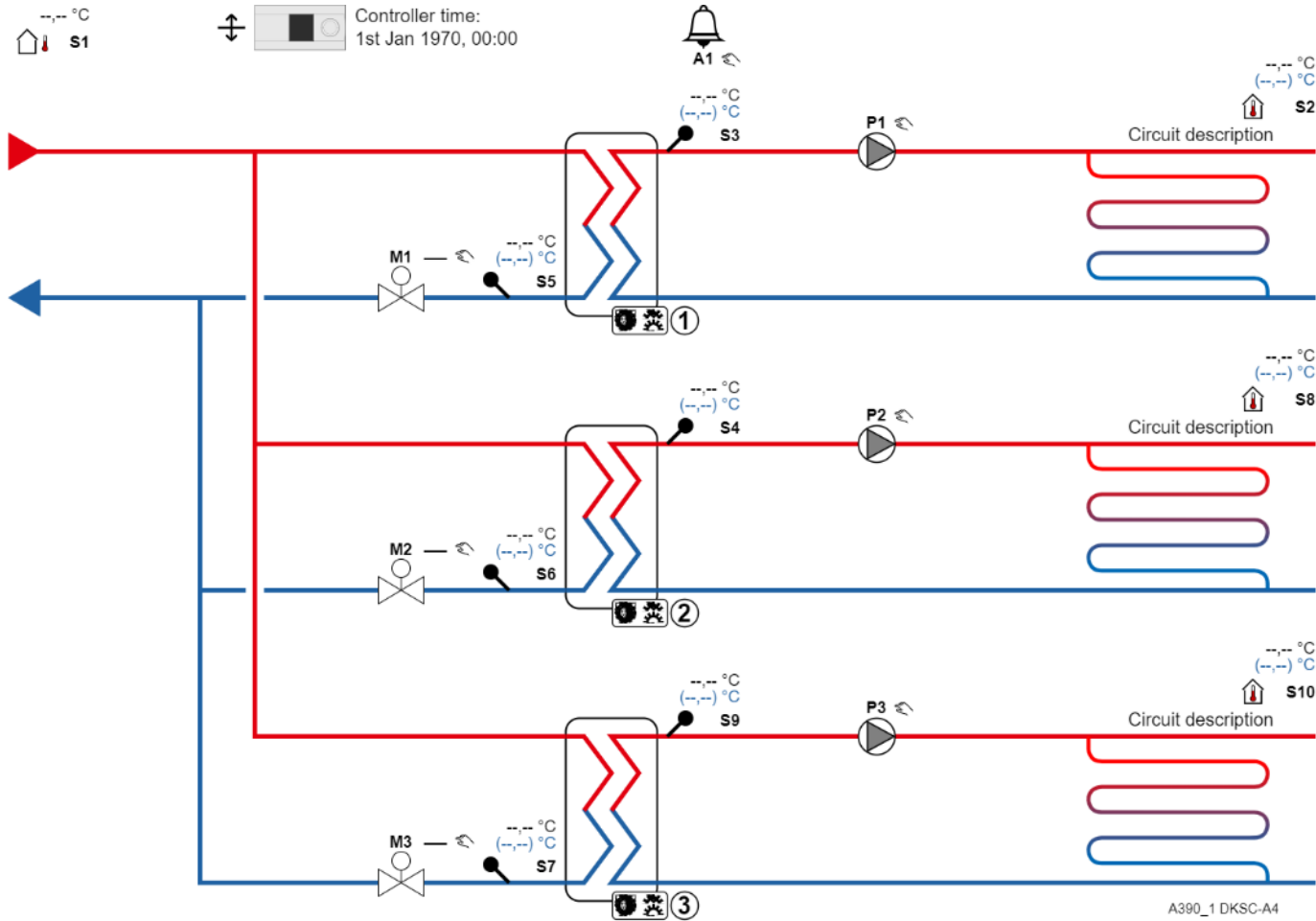
Leanheat® Monitor – A390.1 DKSC-A2



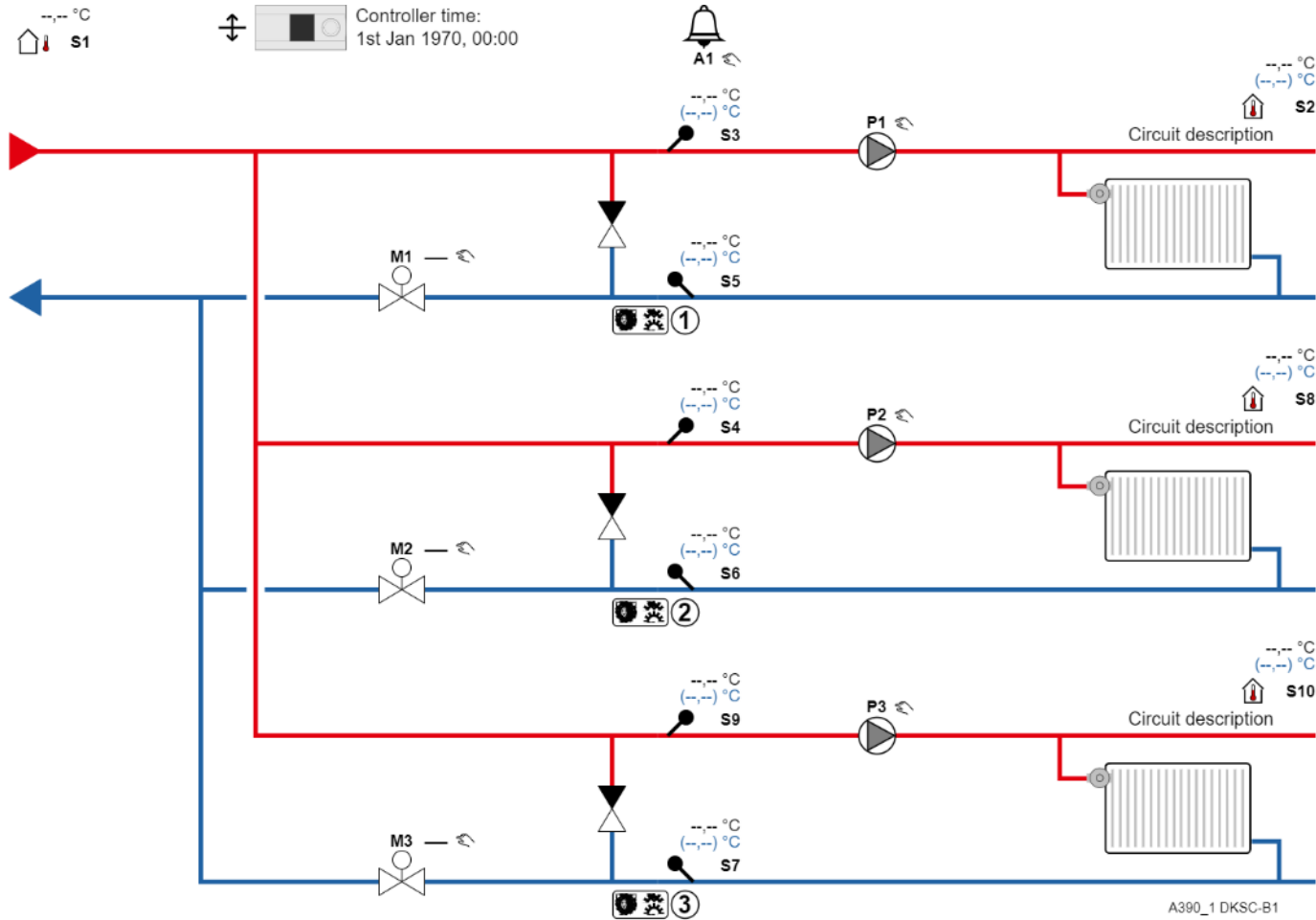
Leanheat® Monitor – A390.1 DKSC-A3



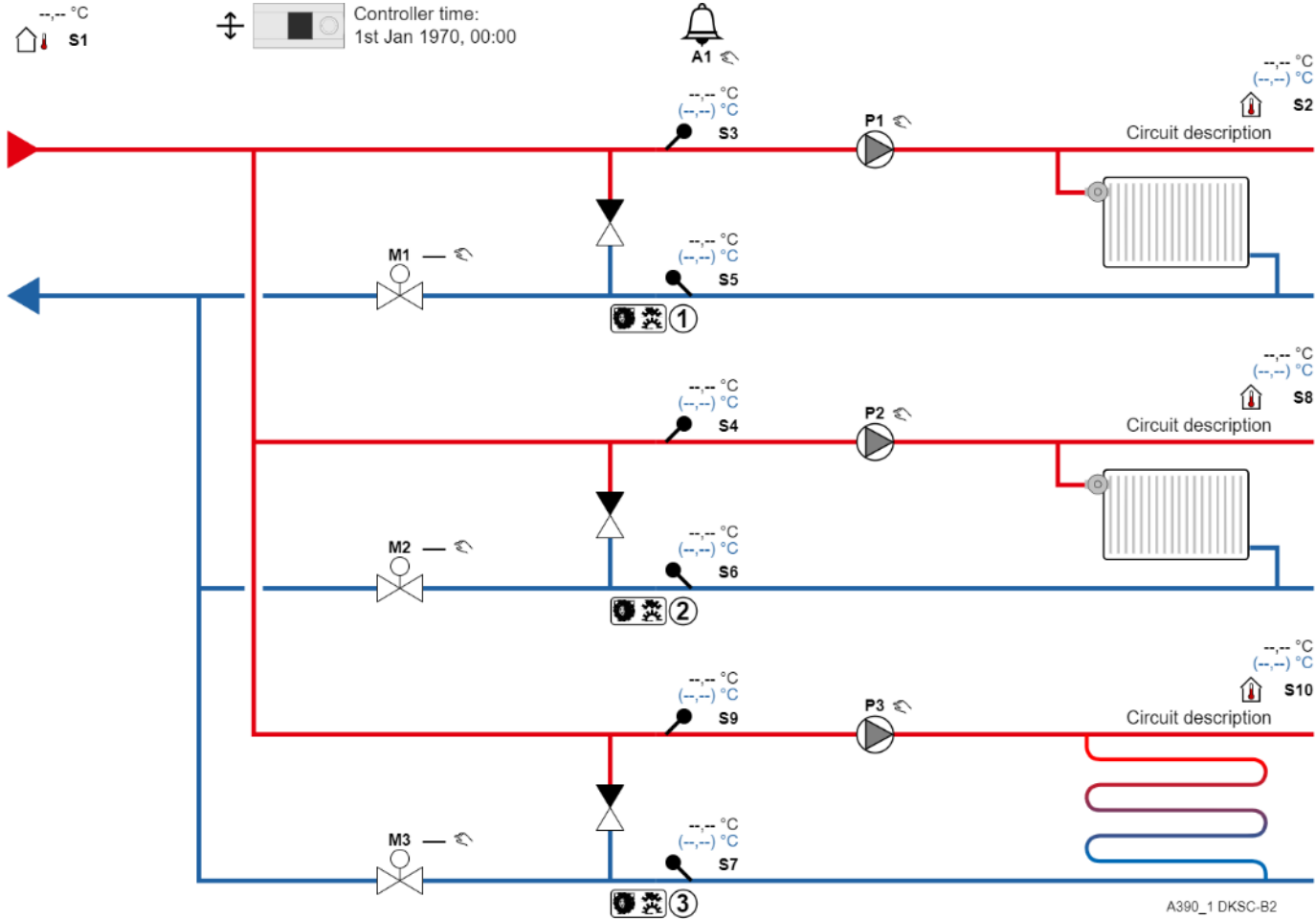
Leanheat[®] Monitor – A390.1 DKSC-A4



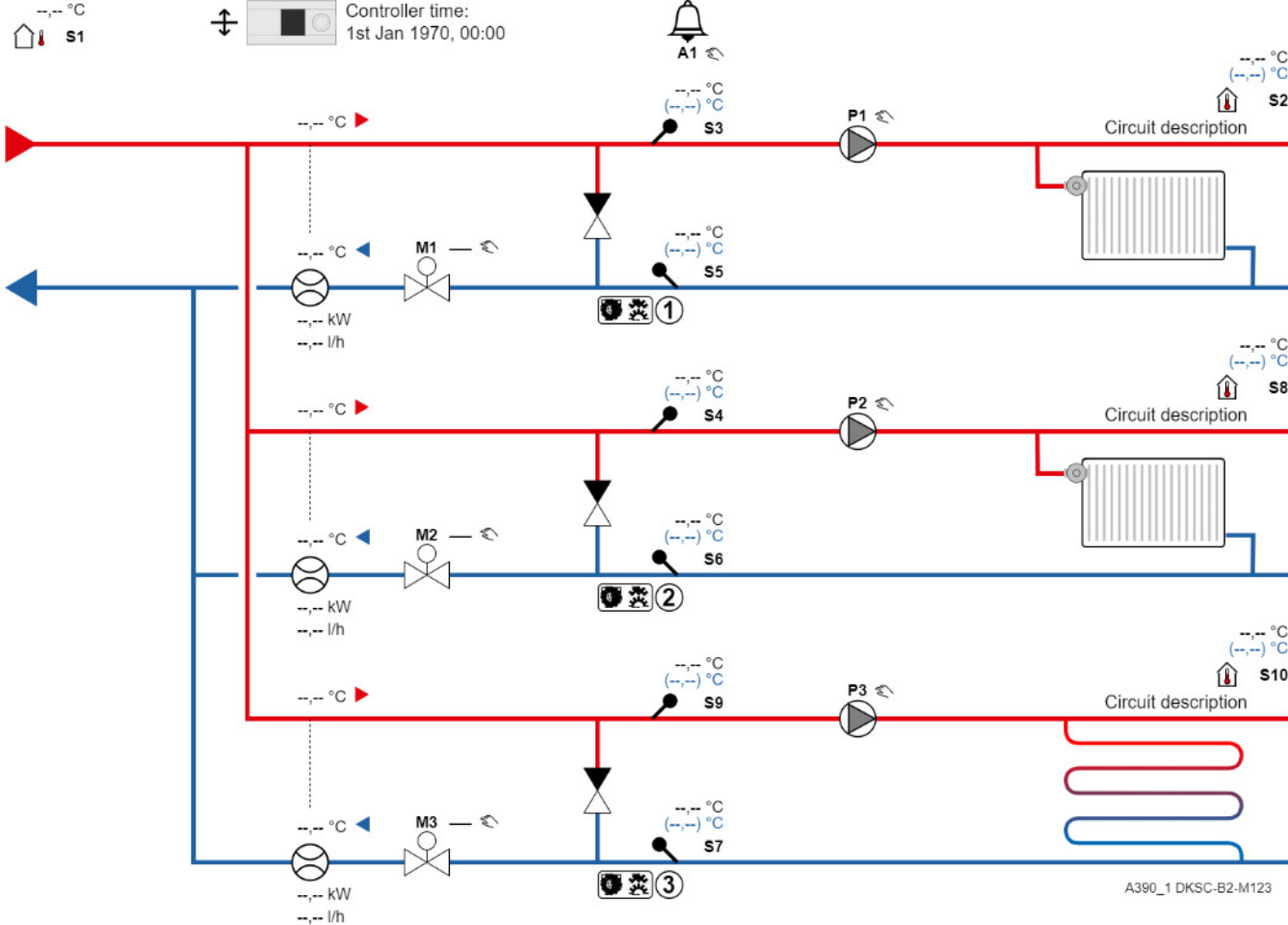
Leanheat[®] Monitor – A390.1 DKSC-B1



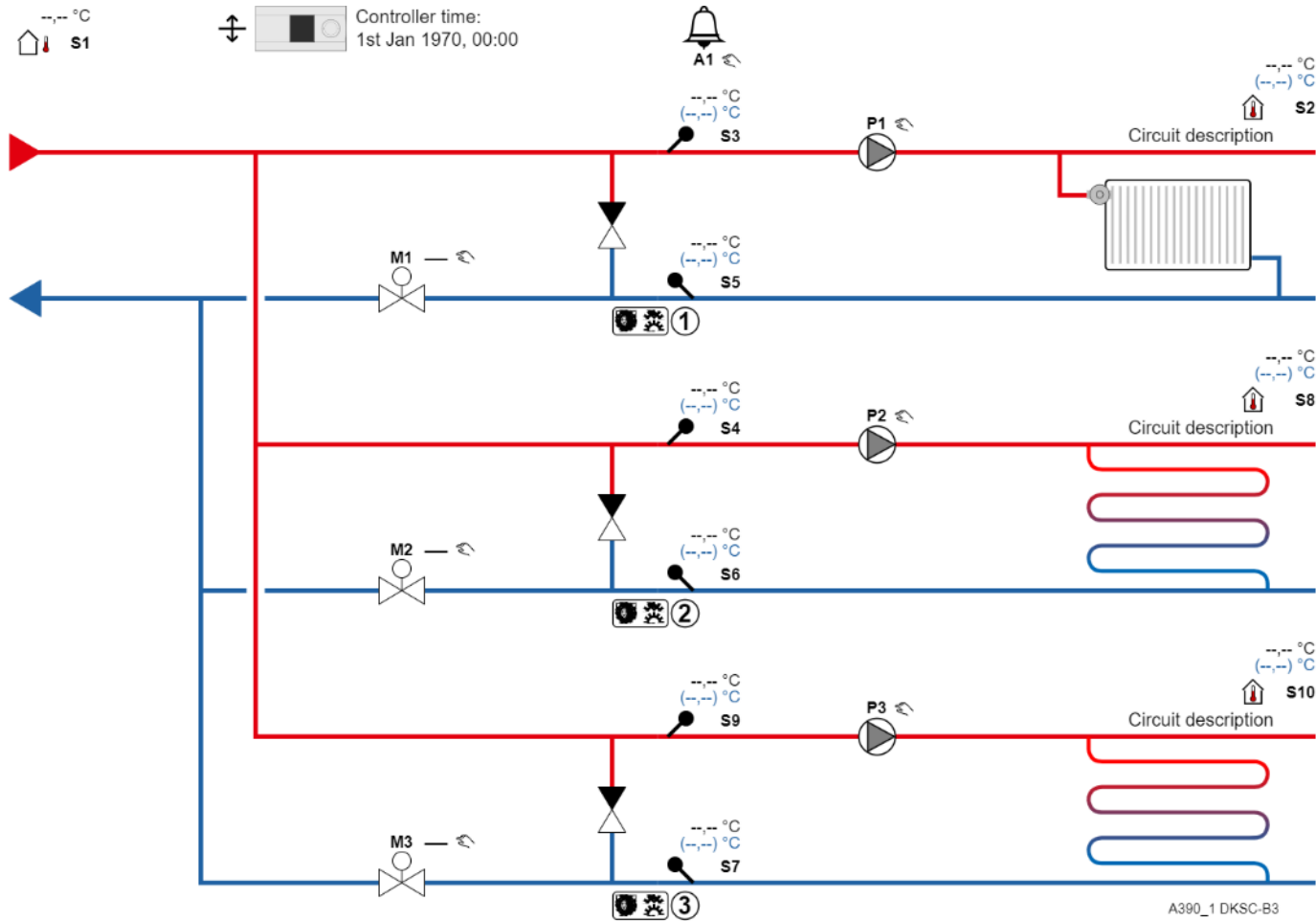
Leanheat[®] Monitor – A390.1 DKSC-B2



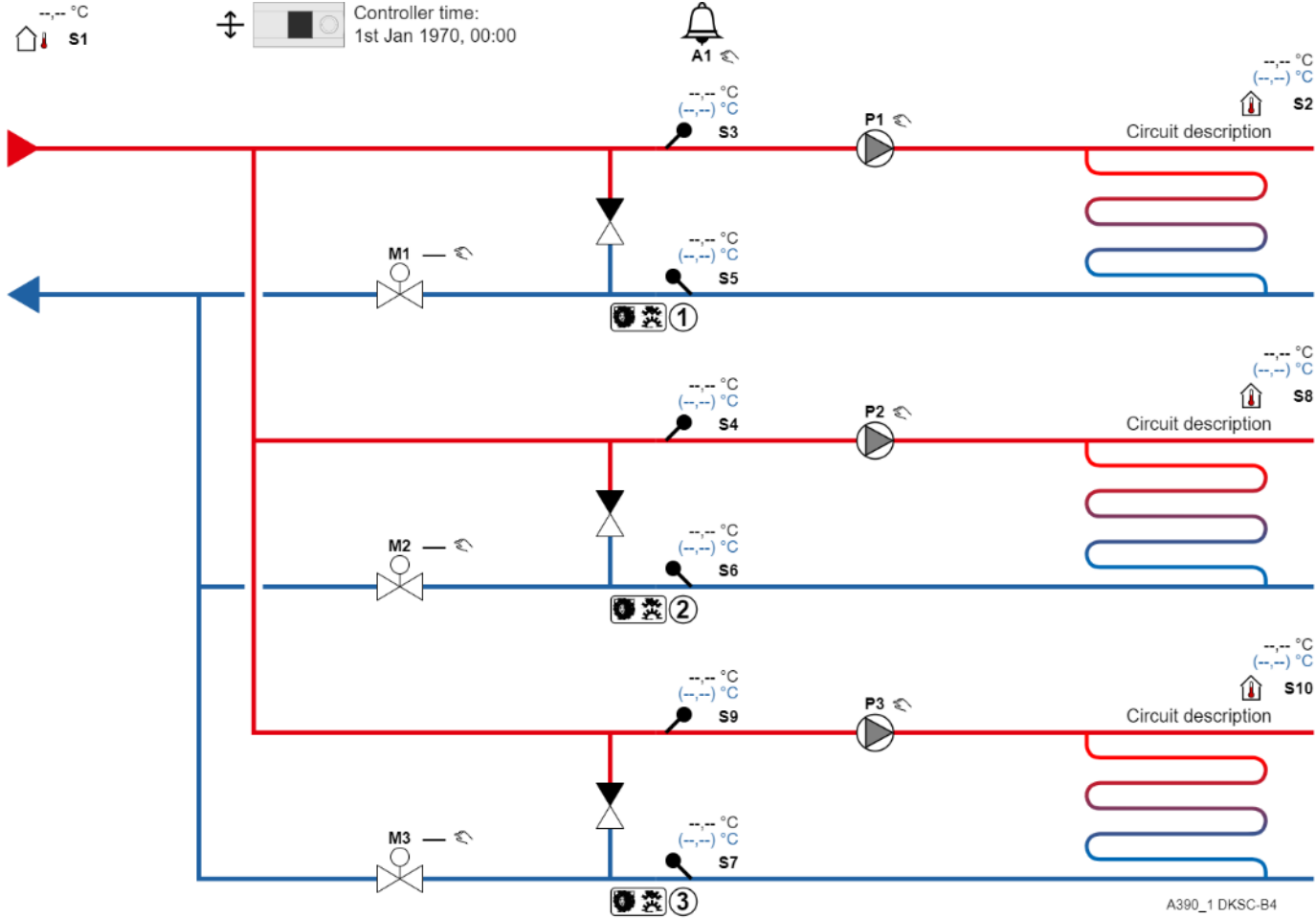
Leanheat® Monitor – A390.1 DKSC-B2-M123



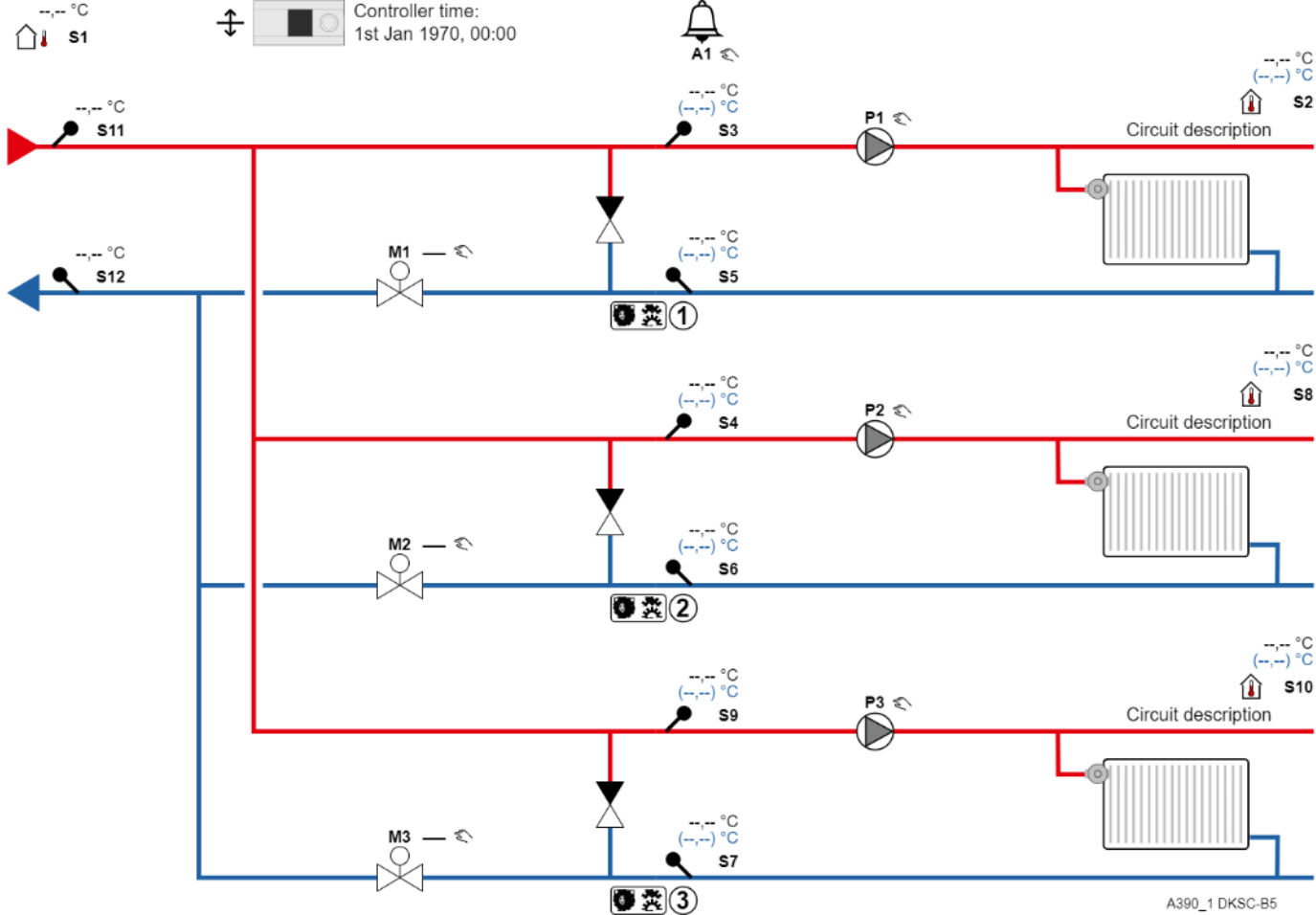
Leanheat[®] Monitor – A390.1 DKSC-B3



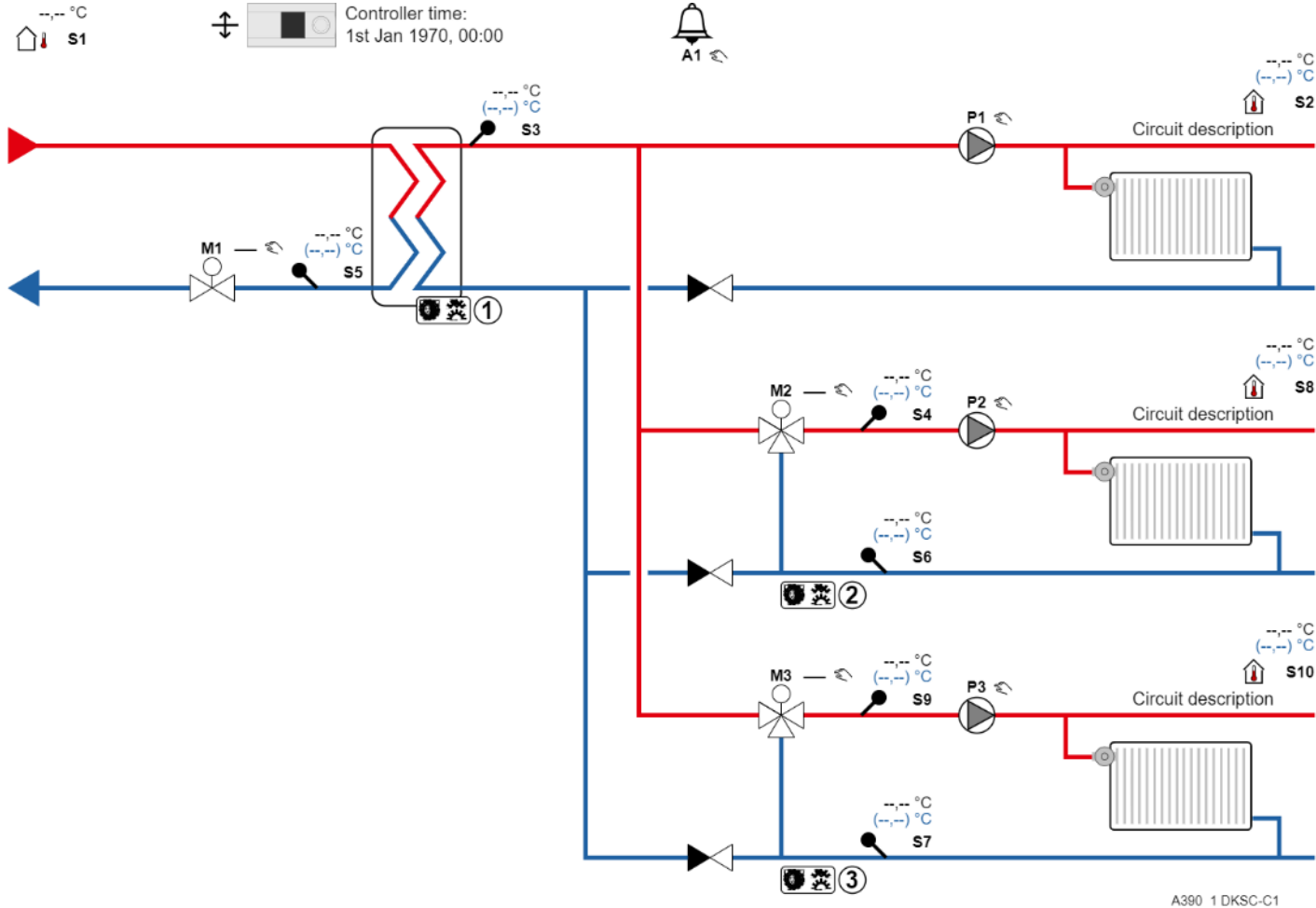
Leanheat[®] Monitor – A390.1 DKSC-B4



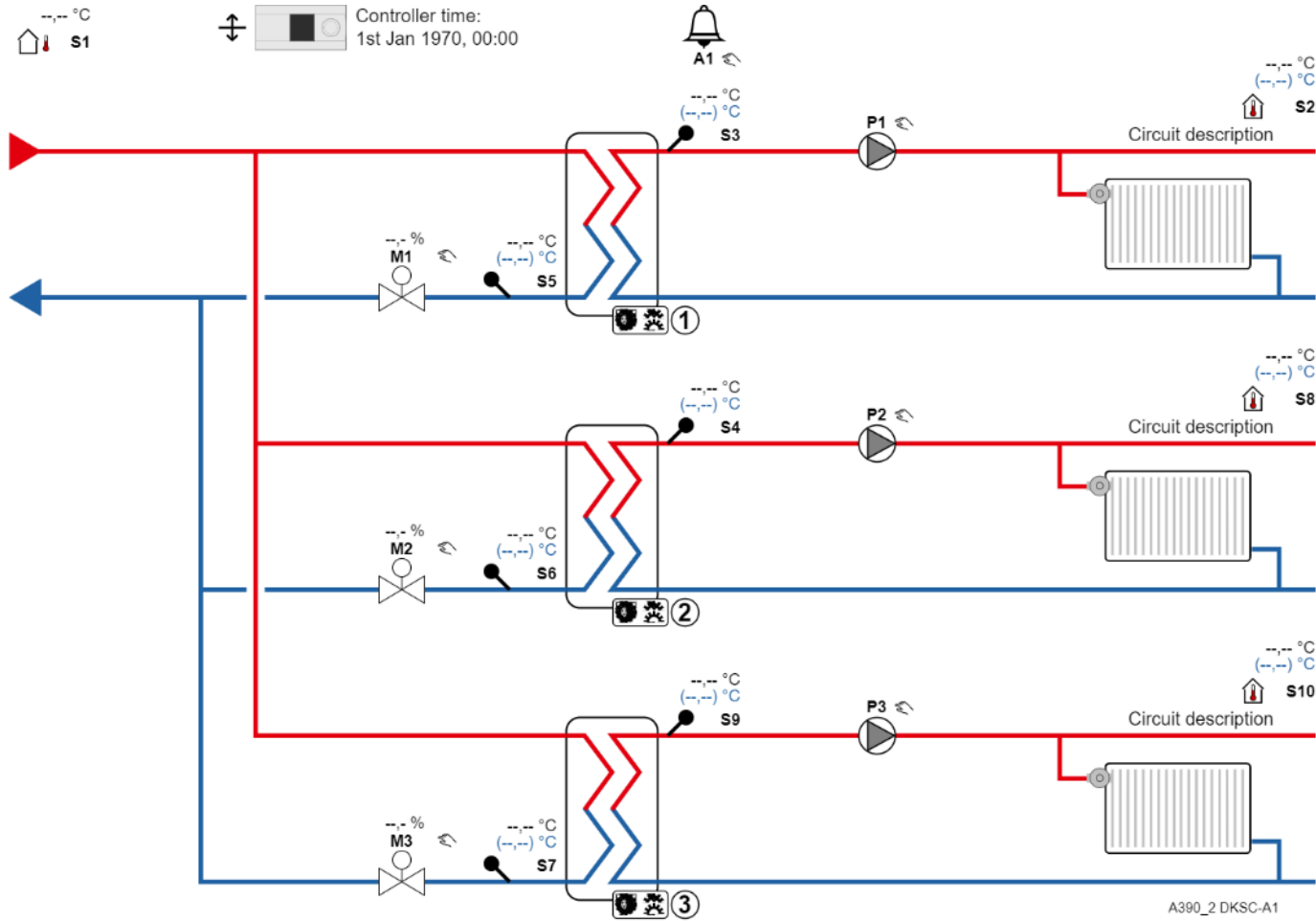
Leanheat[®] Monitor – A390.1 DKSC-B5



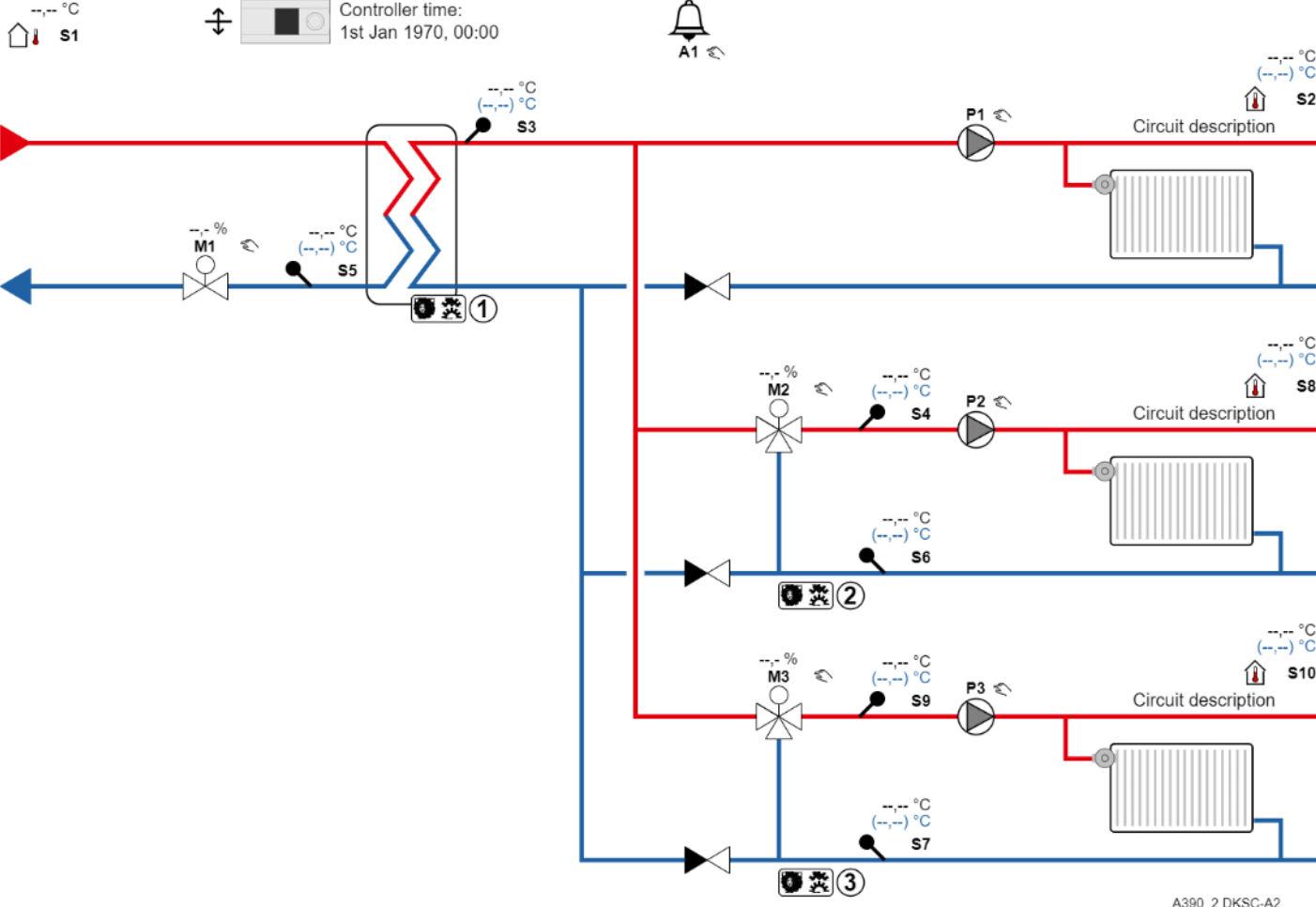
Leanheat[®] Monitor – A390.1 DKSC-C1



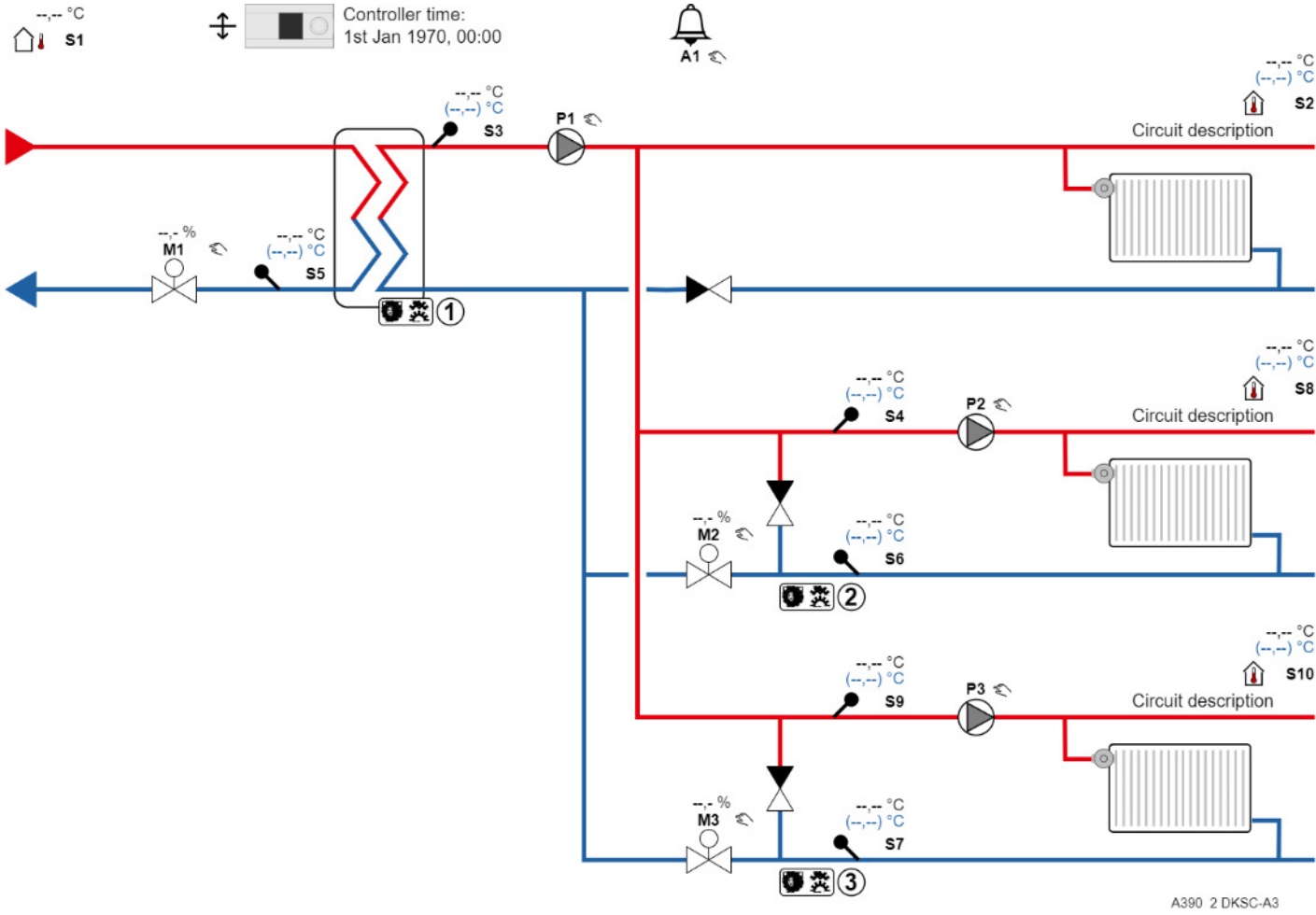
Leanheat[®] Monitor – A390.2 DKSC-A1



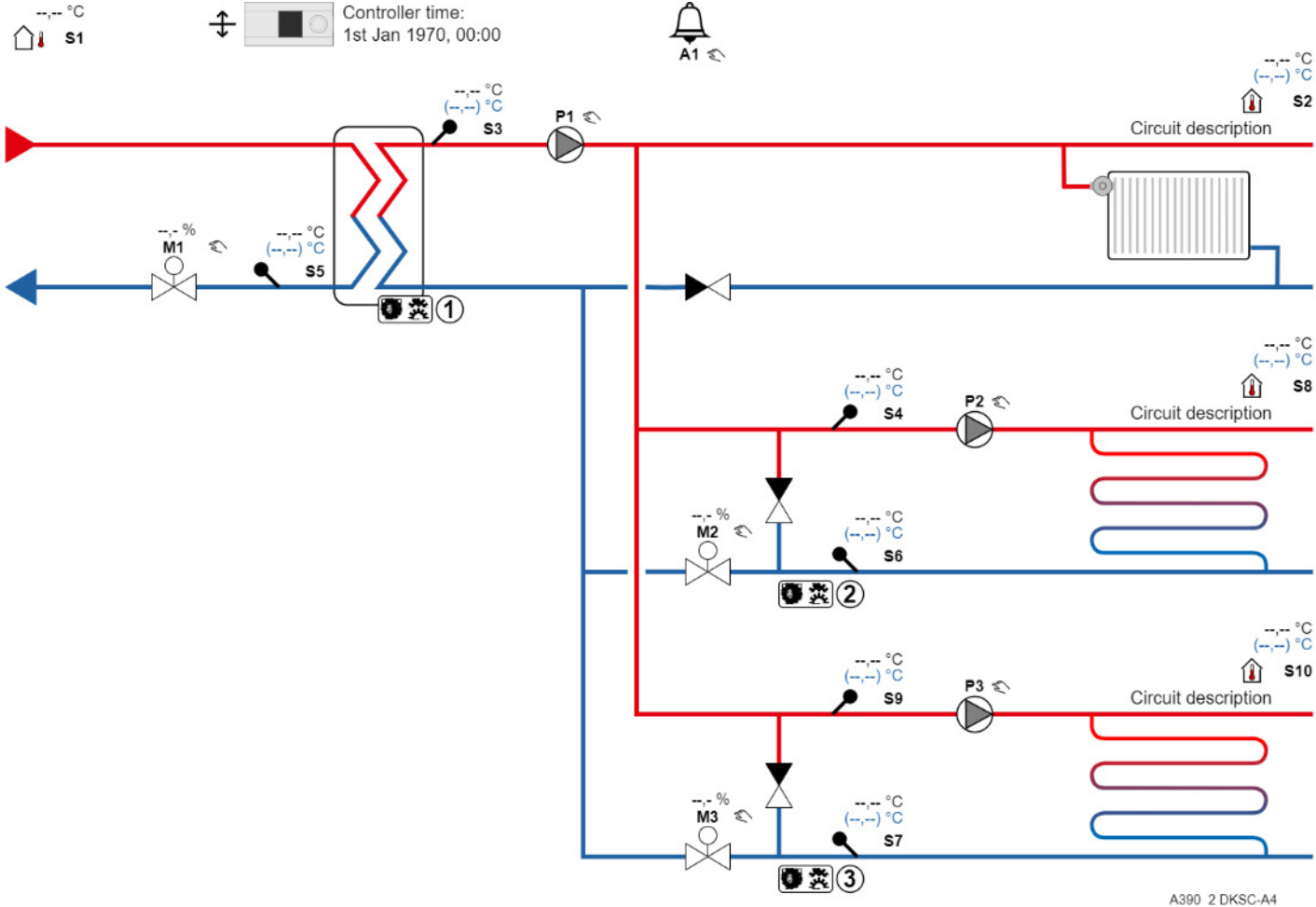
Leanheat[®] Monitor – A390.2 DKSC-A2



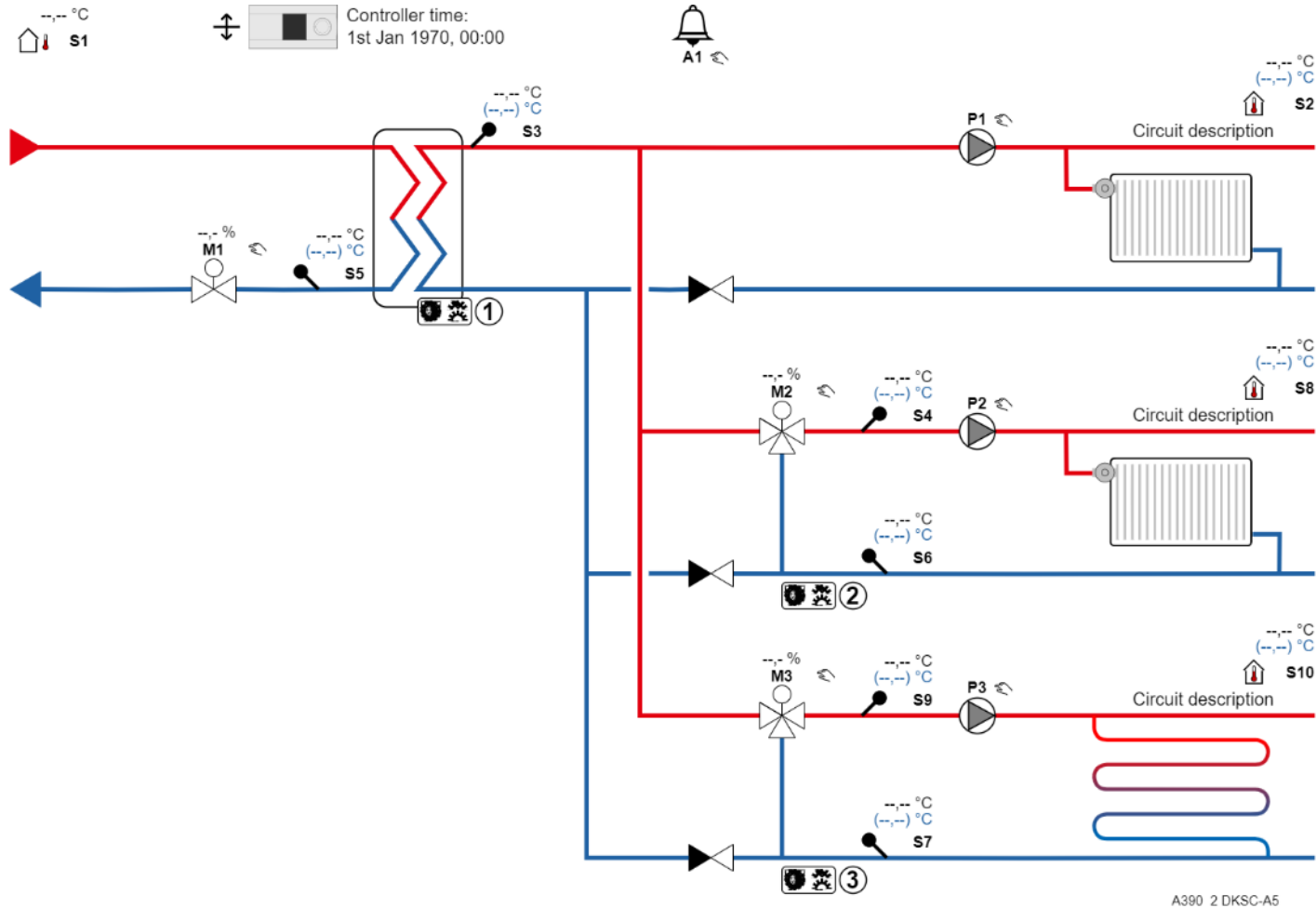
Leanheat[®] Monitor – A390.2 DKSC-A3



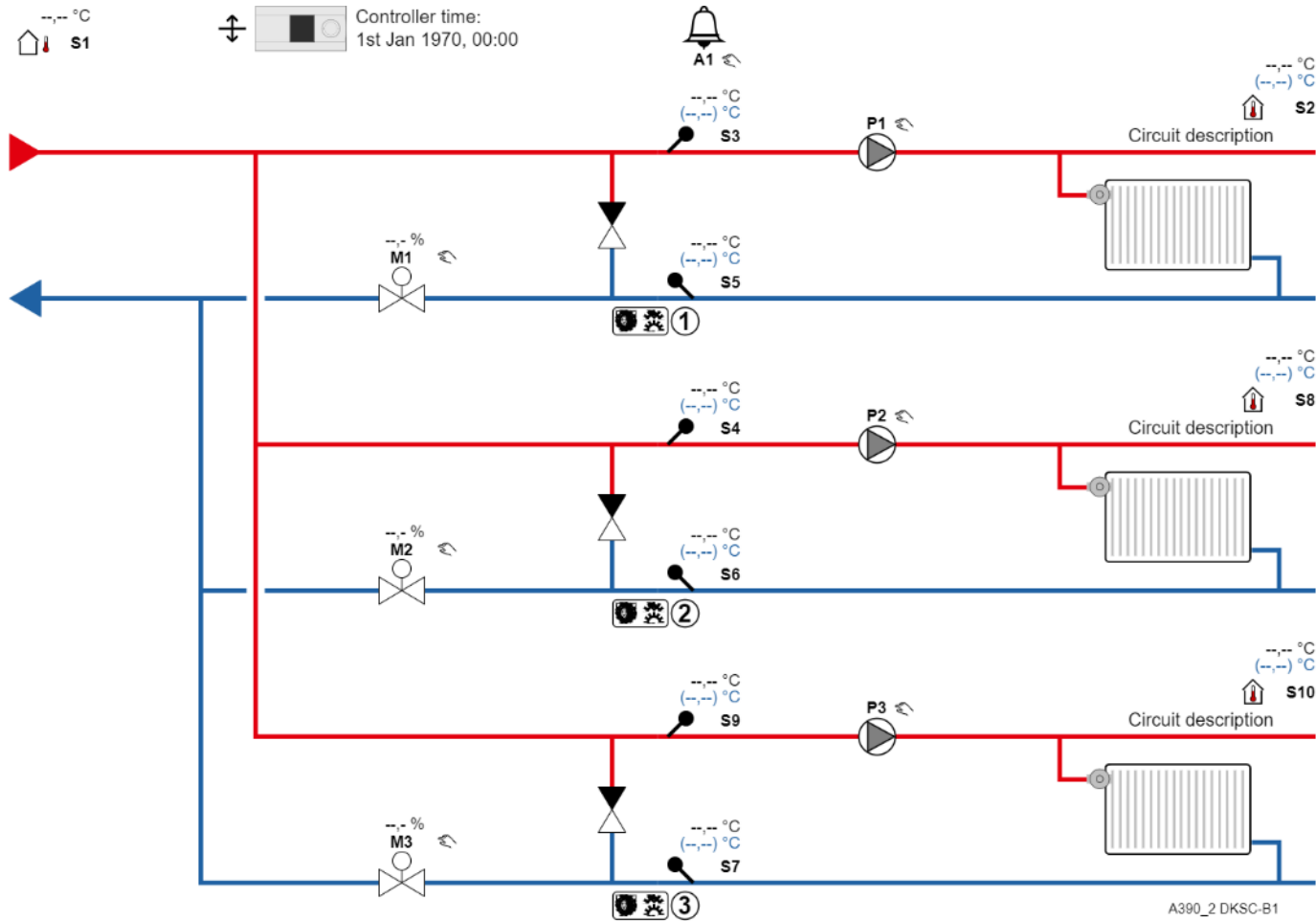
Leanheat[®] Monitor – A390.2 DKSC-A4



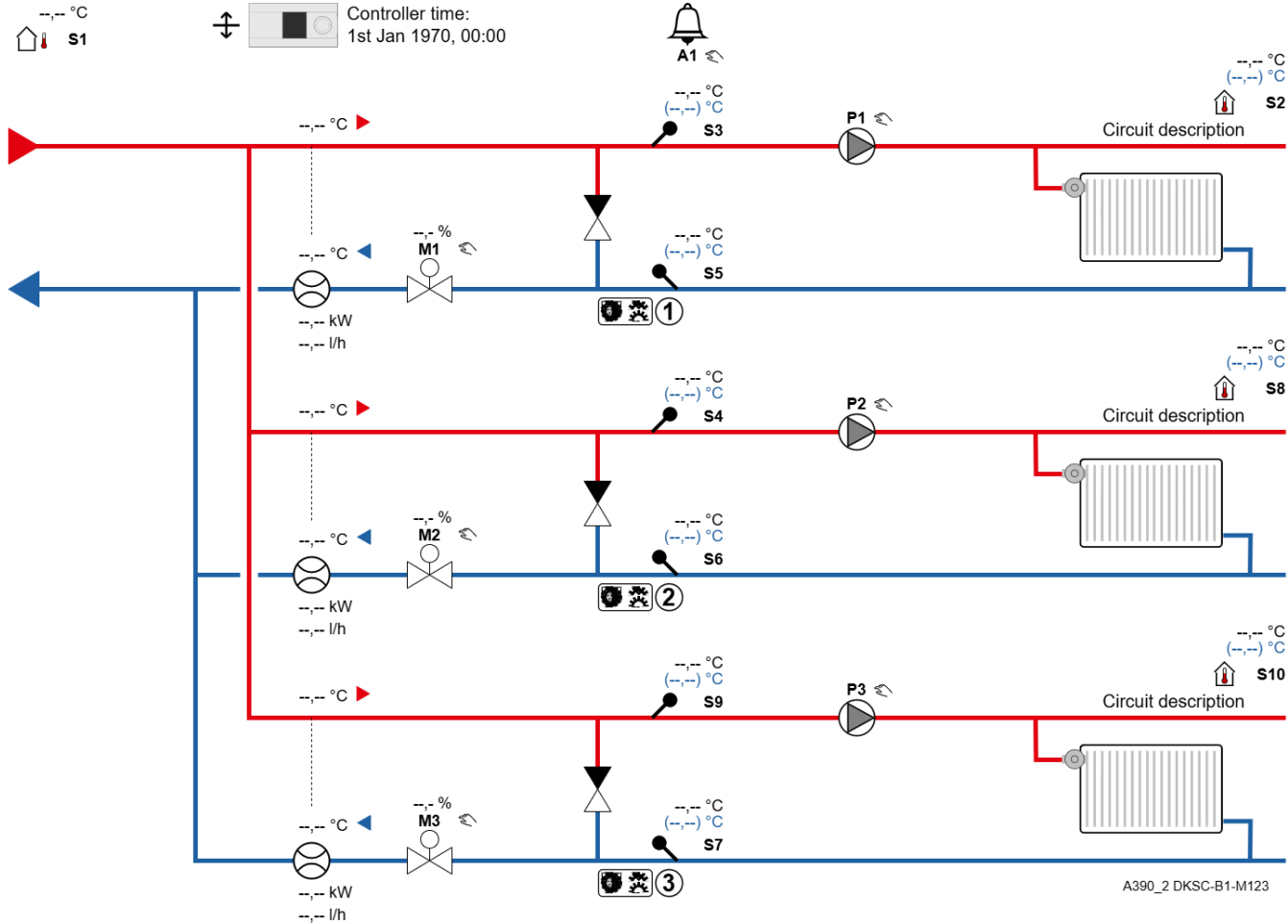
Leanheat[®] Monitor – A390.2 DKSC-A5



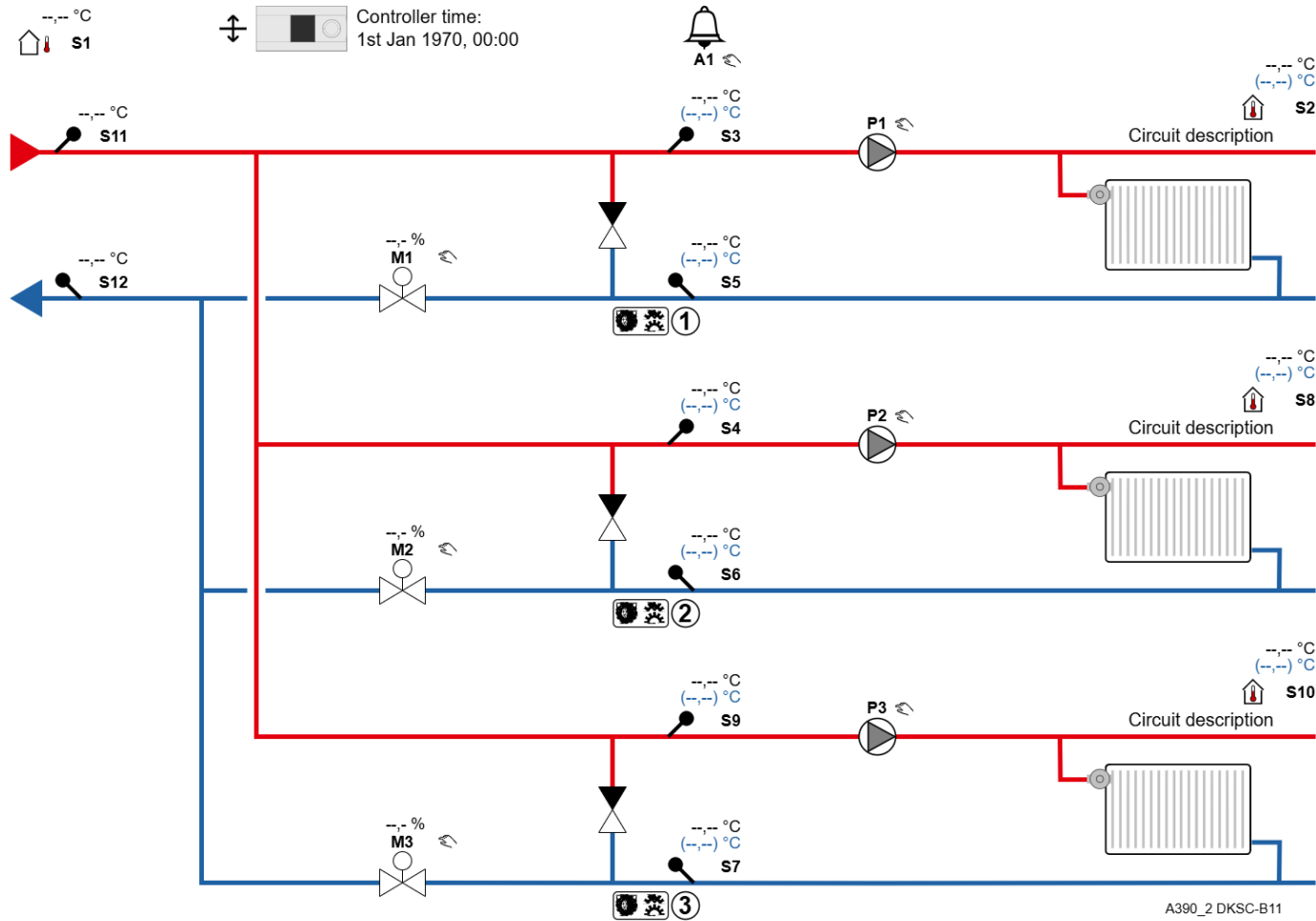
Leanheat[®] Monitor – A390.2 DKSC-B1



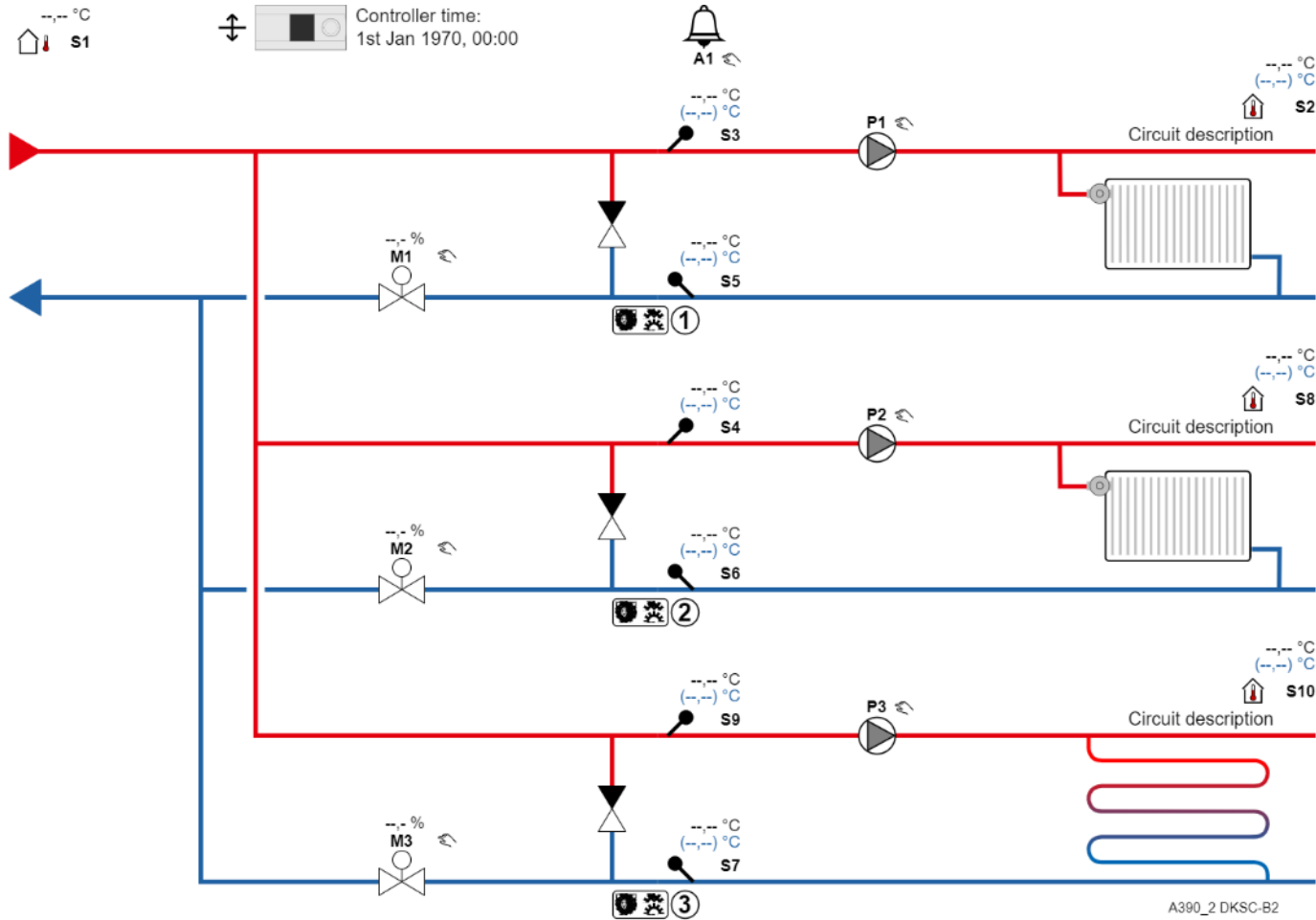
Leanheat® Monitor – A390.2 DKSC-B1-M123



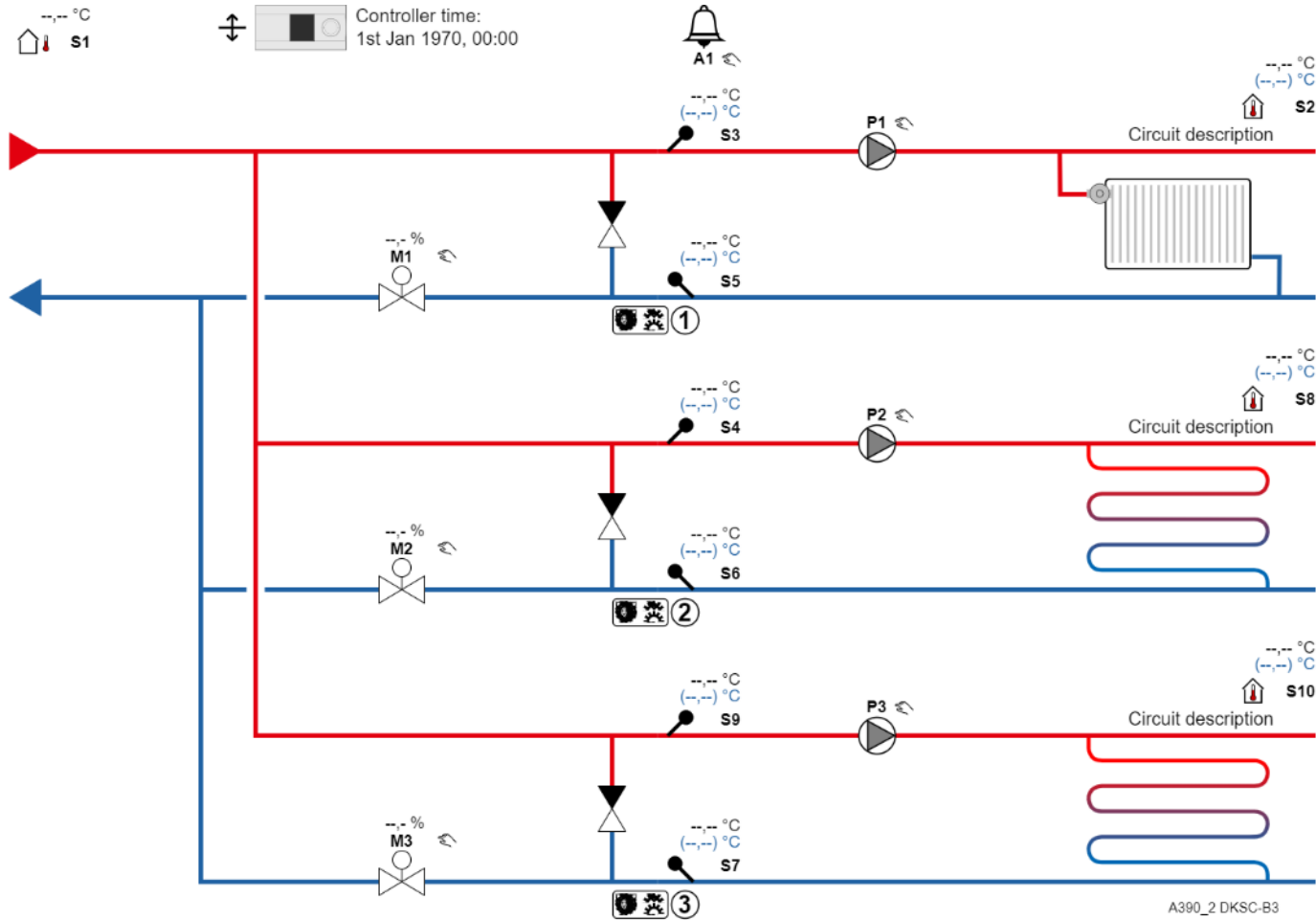
Leanheat[®] Monitor – A390.2 DKSC-B11



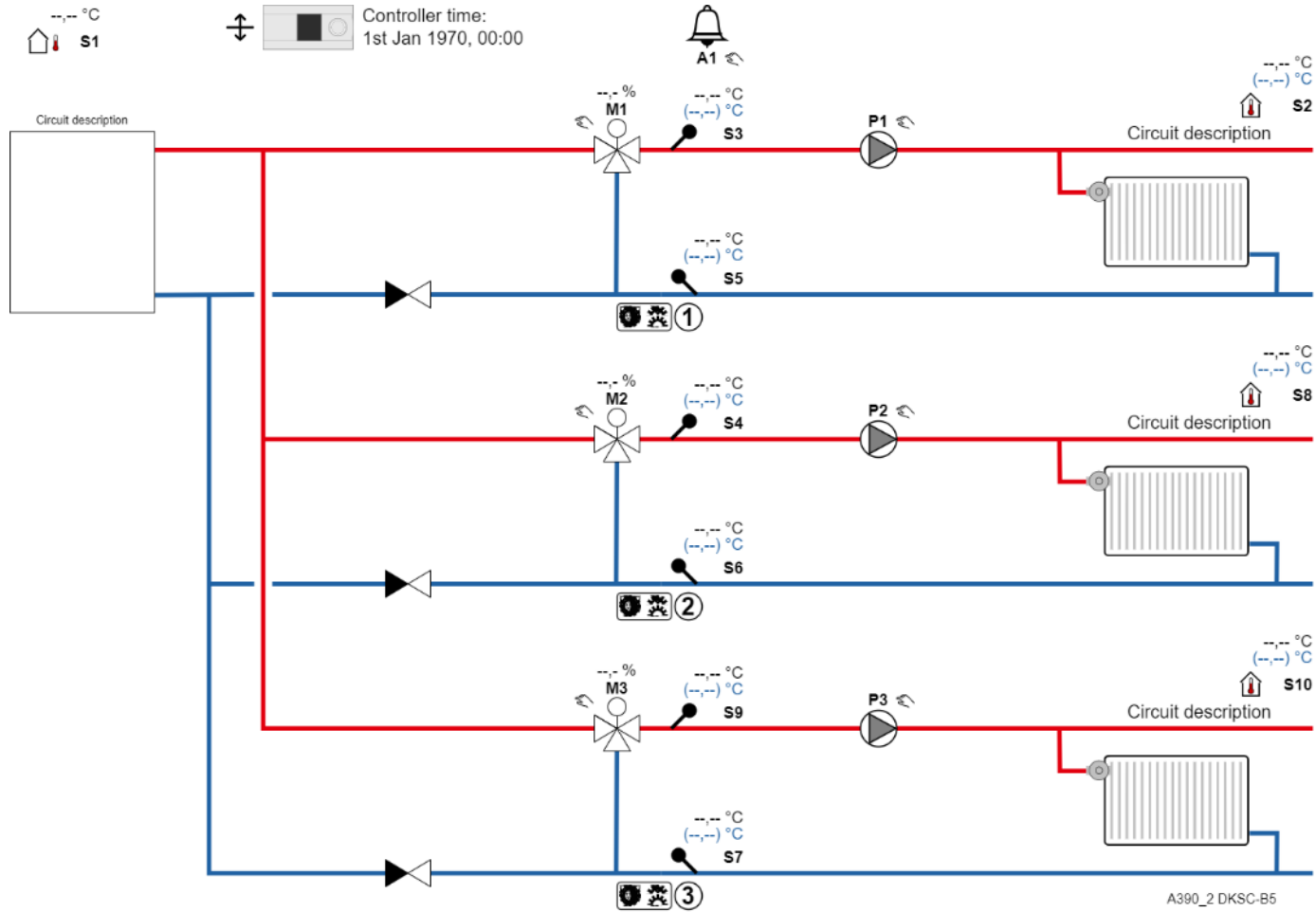
Leanheat[®] Monitor – A390.2 DKSC-B2



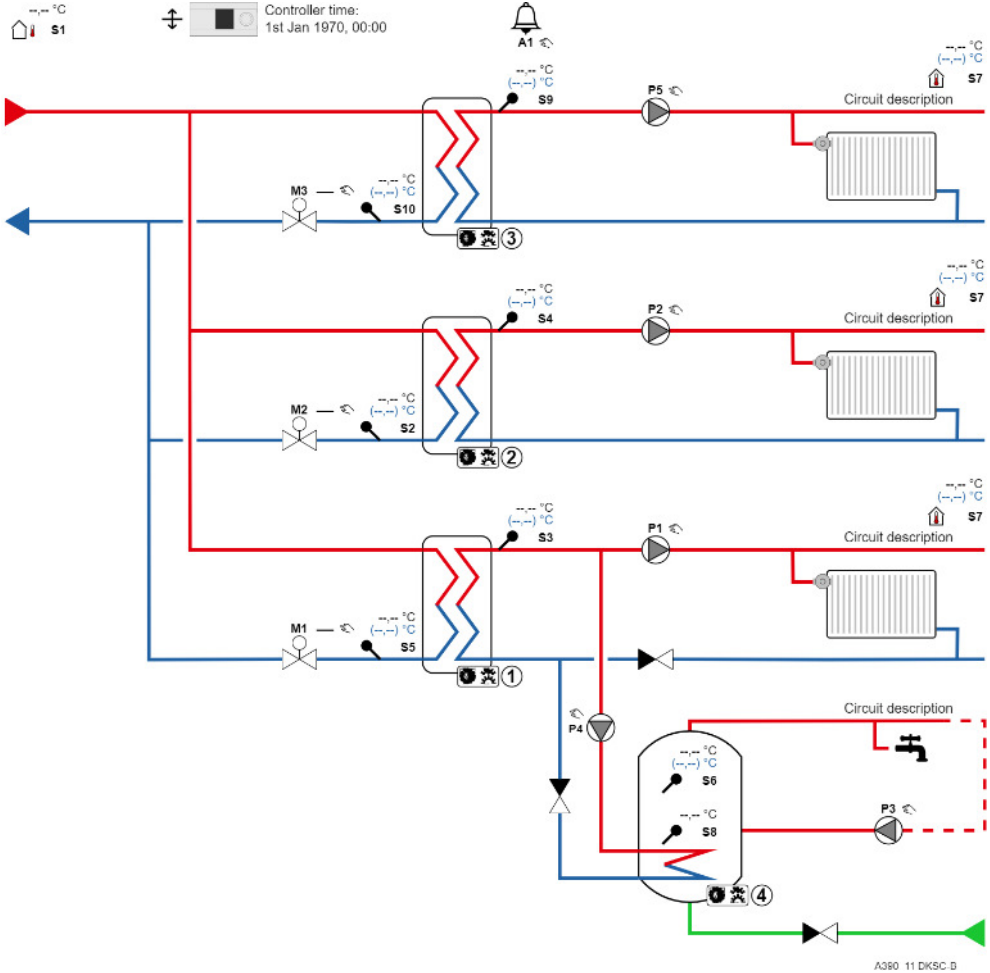
Leanheat[®] Monitor – A390.2 DKSC-B3



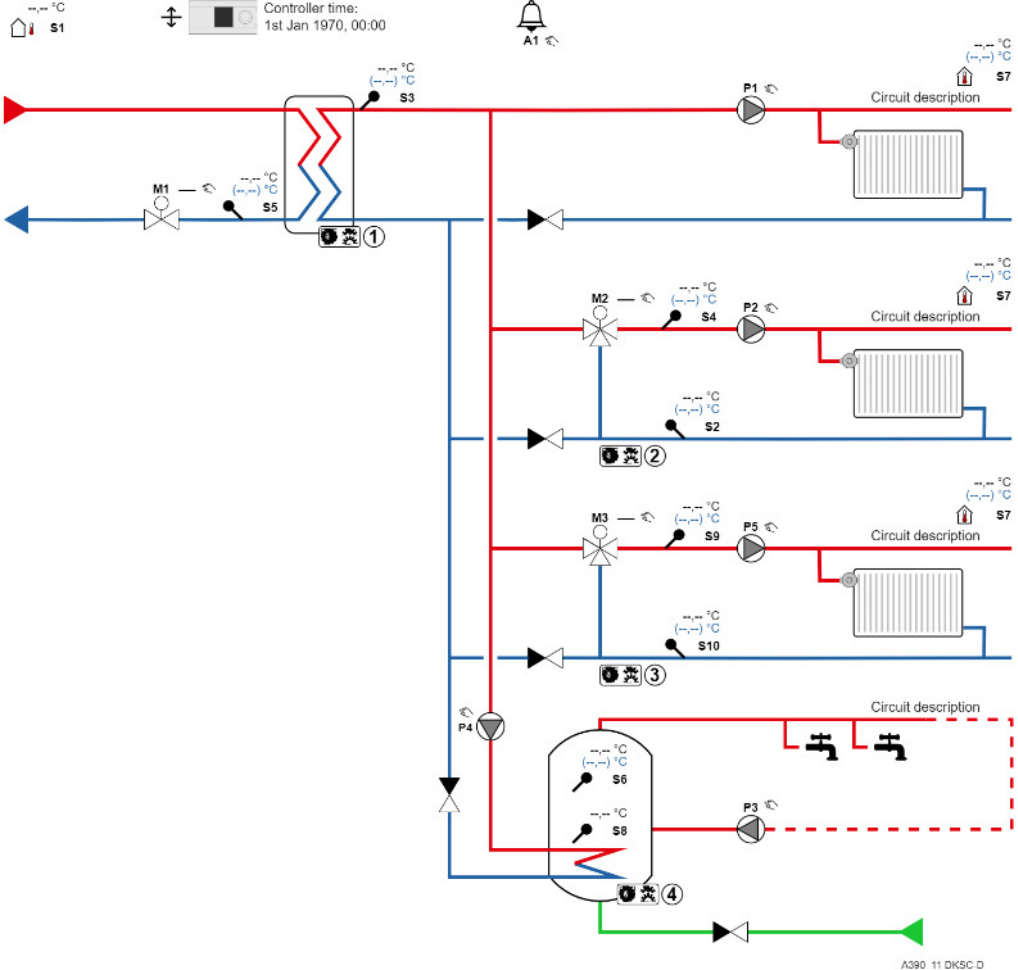
Leanheat[®] Monitor – A390.2 DKSC-B5



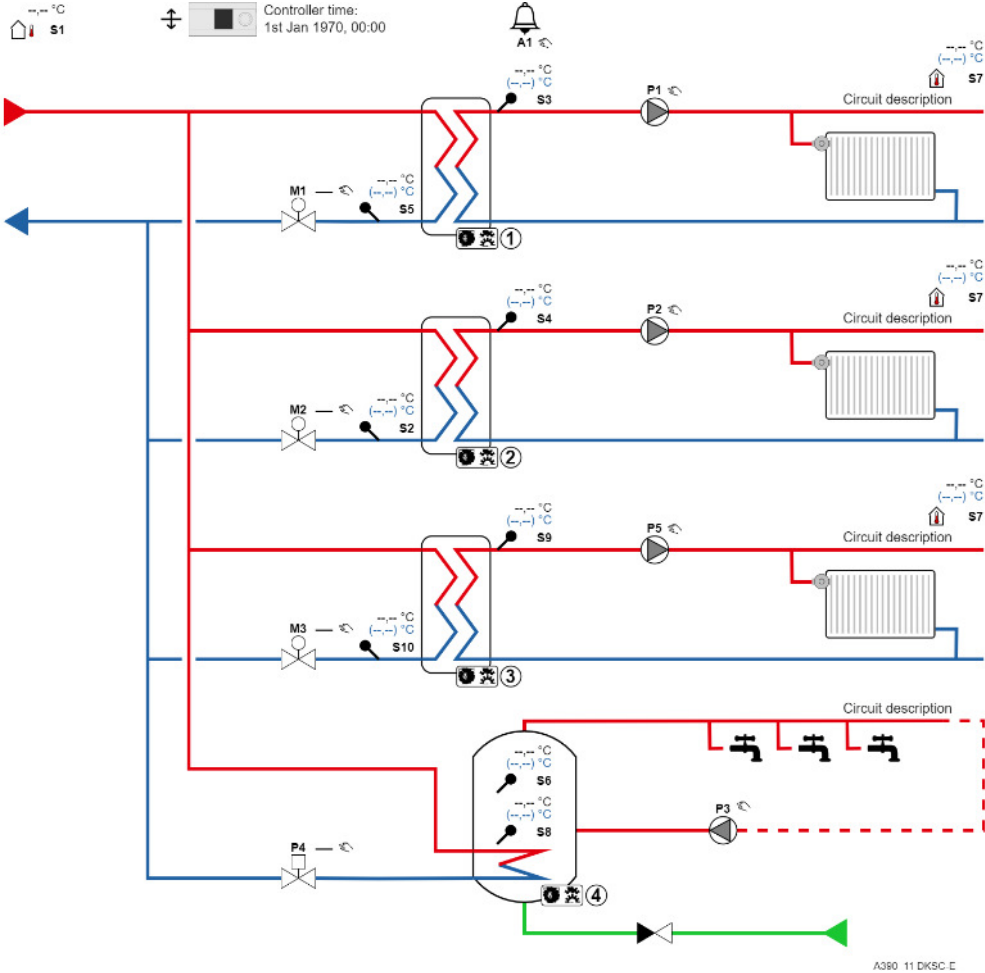
Leanheat[®] Monitor – A390.11 DKSC-B



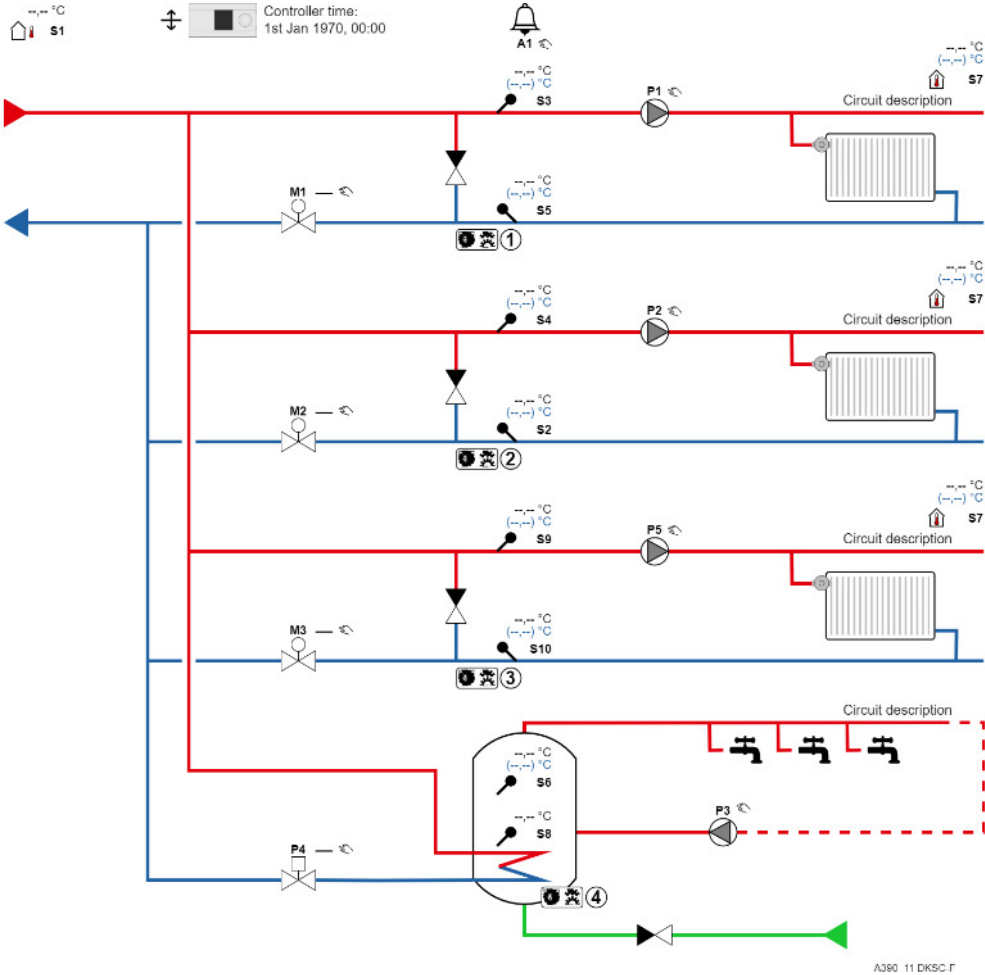
Leanheat[®] Monitor – A390.11 DKSC-D



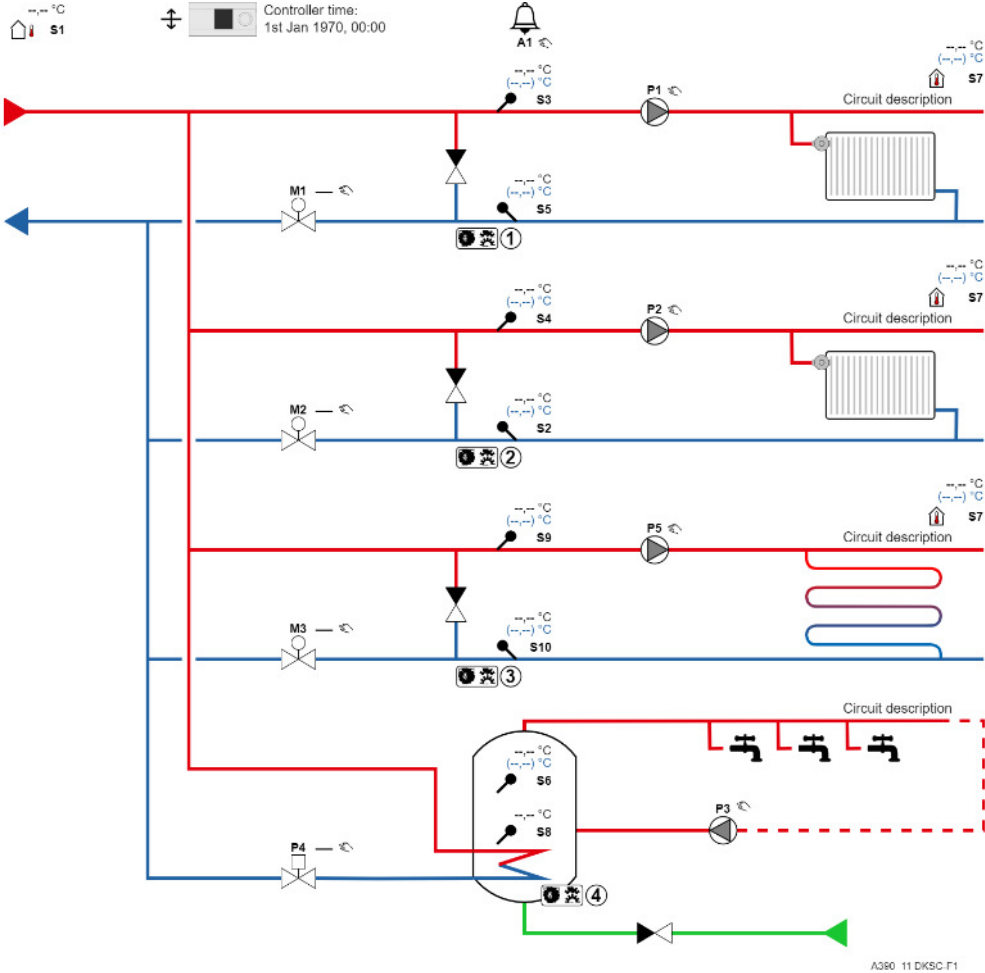
Leanheat[®] Monitor – A390.11 DKSC-E



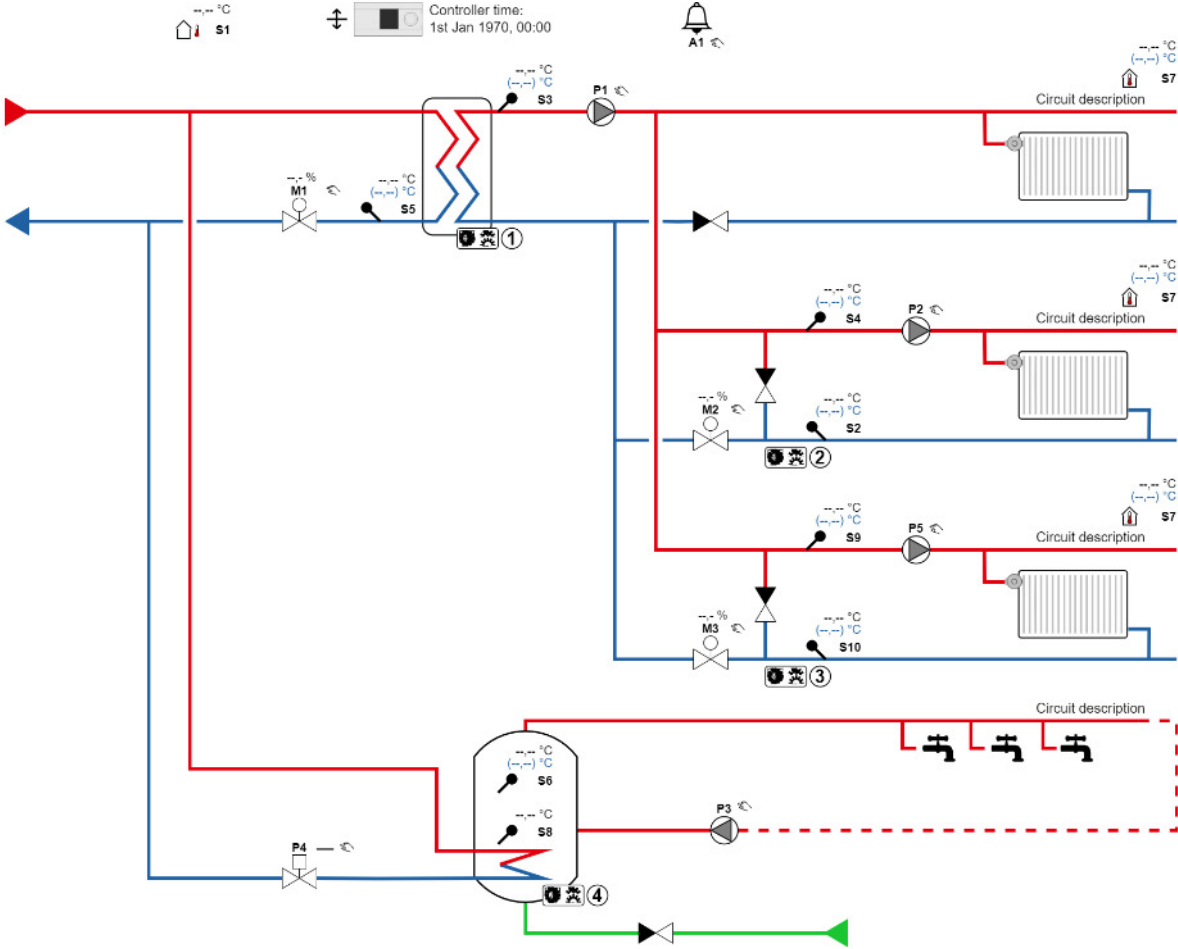
Leanheat® Monitor – A390.11 DKSC-F



Leanheat® Monitor – A390.11 DKSC-F1

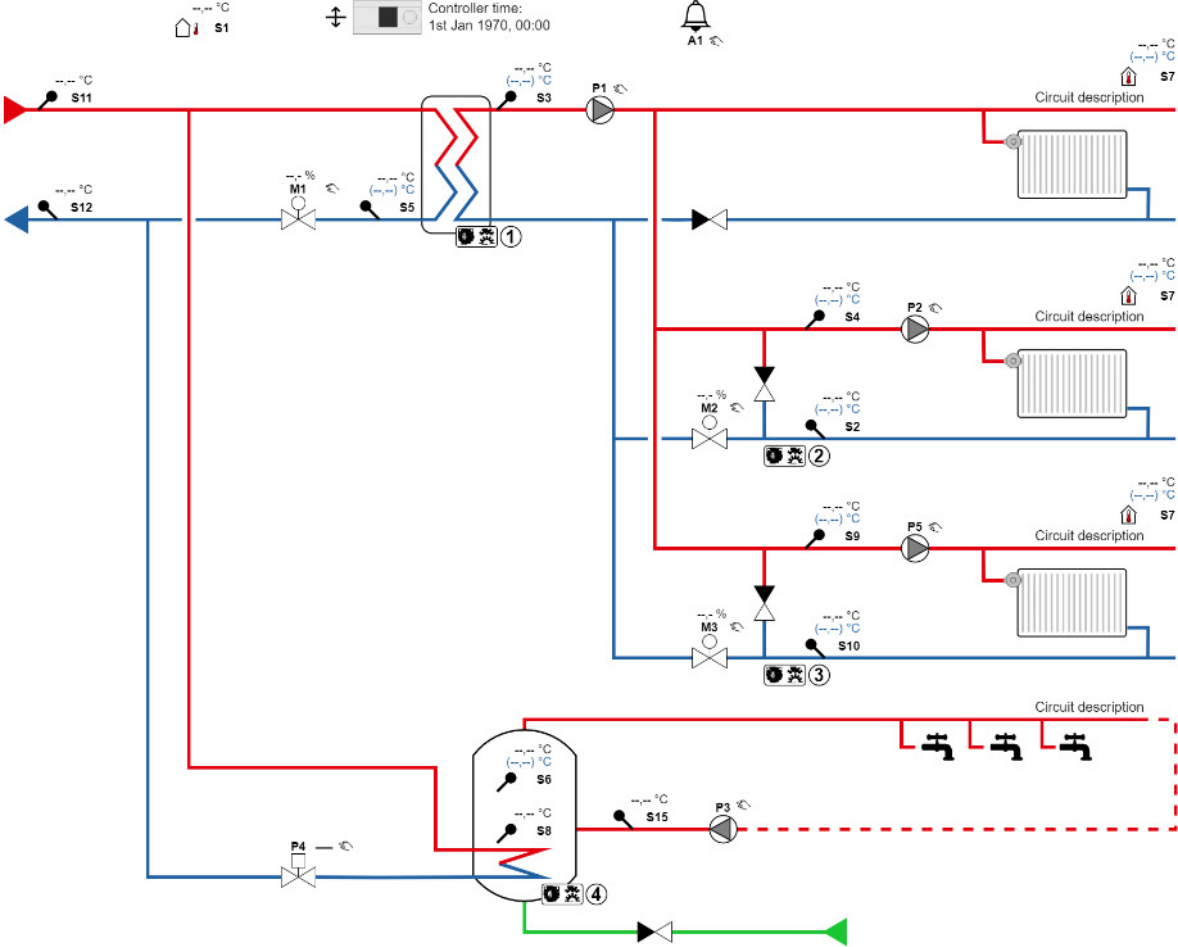


Leanheat® Monitor – A390.11 DKSC-G



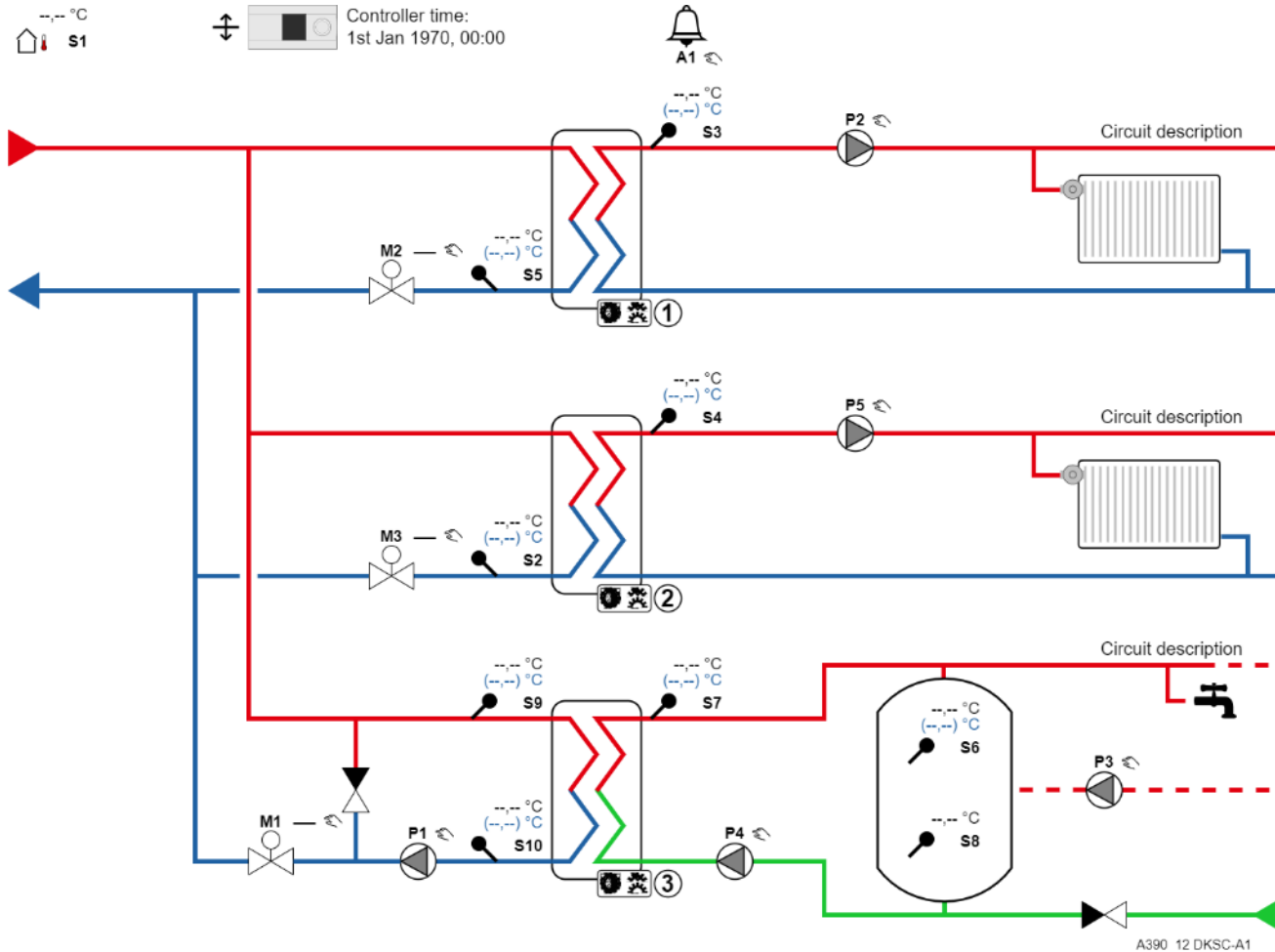
A390 11 DKSC-G

Leanheat® Monitor – A390.11 DKSC-G1

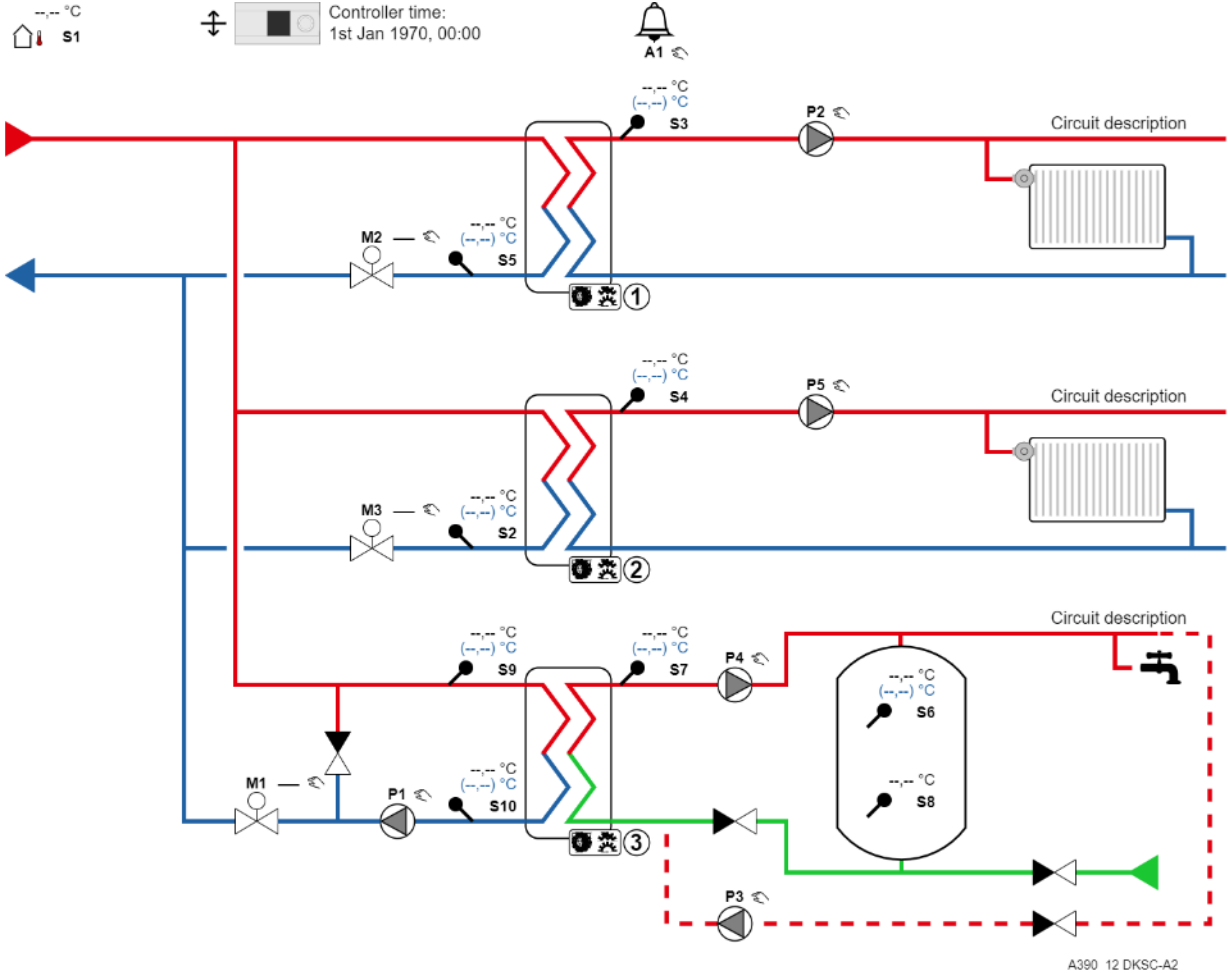


A390 11 DKSC-G1

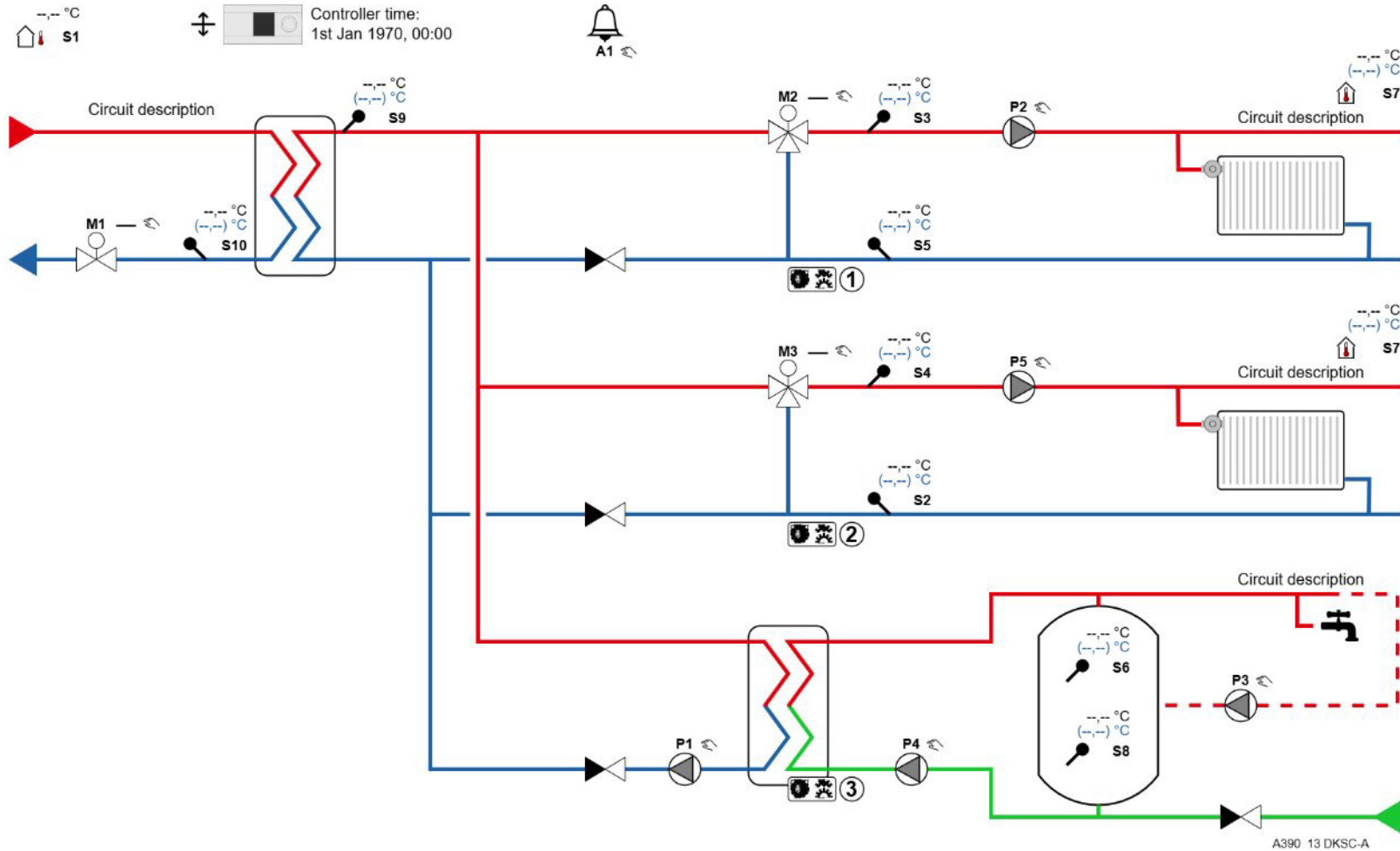
Leanheat[®] Monitor – A390.12 DKSC-A1



Leanheat[®] Monitor – A390.12 DKSC-A2



Leanheat® Monitor – A390.13 DKSC-A



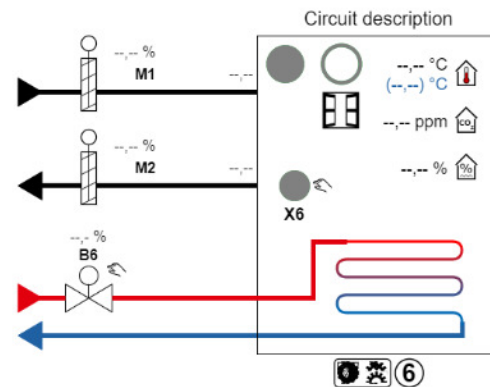
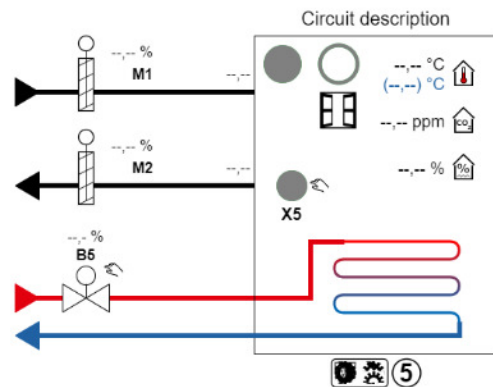
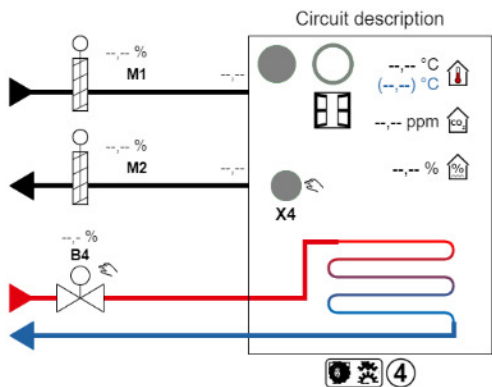
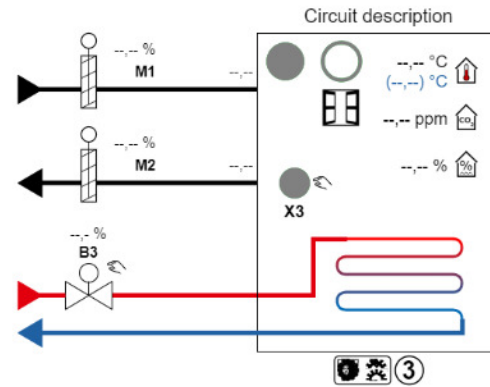
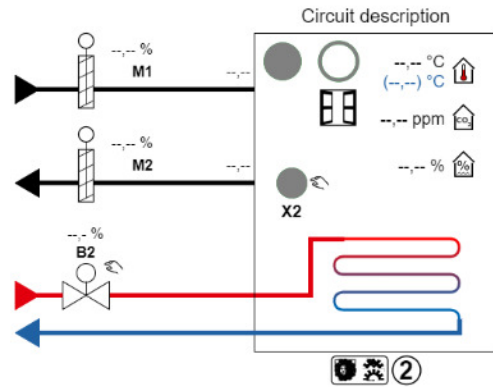
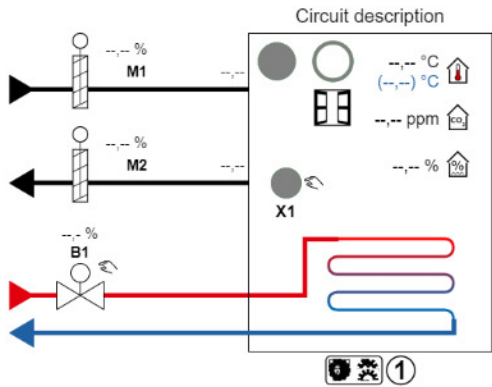
P302



Leanheat[®] Monitor – P302.1 DKSC-A1



--- °C
S1
↕
Controller time:
1st Jan 1970, 00:00



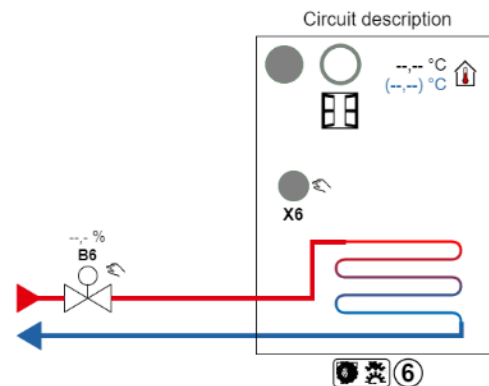
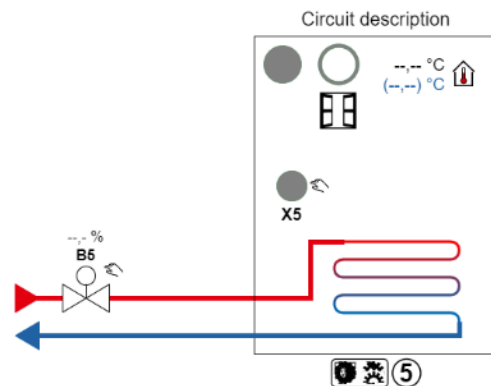
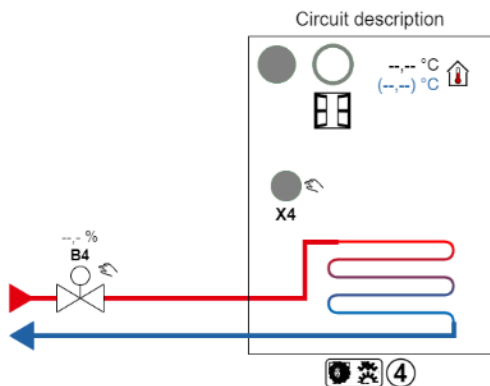
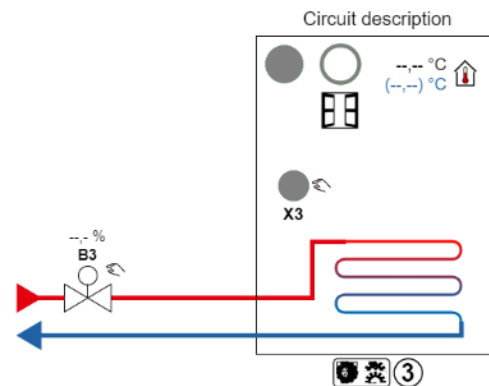
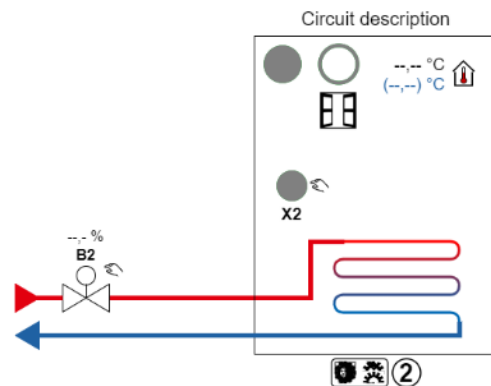
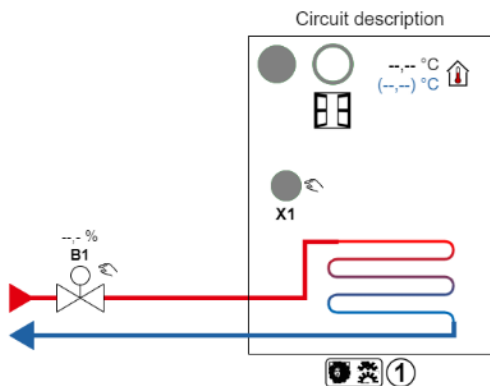
P302 1 DKSC-A1

Leanheat® Monitor – P302.1 DKSC-A2



--- °C
s1

Controller time:
1st Jan 1970, 00:00

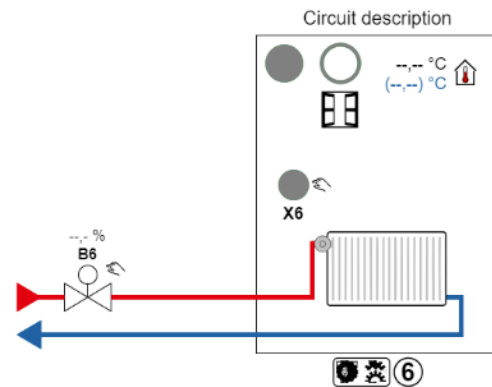
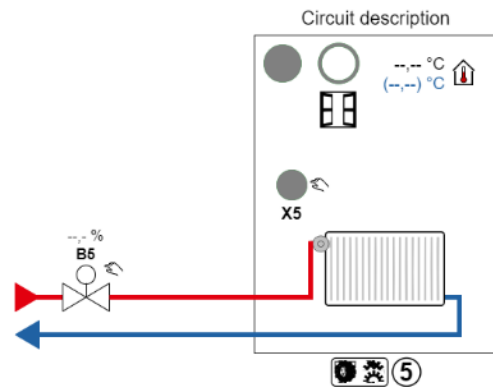
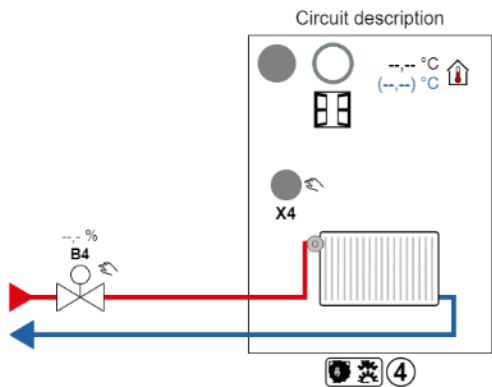
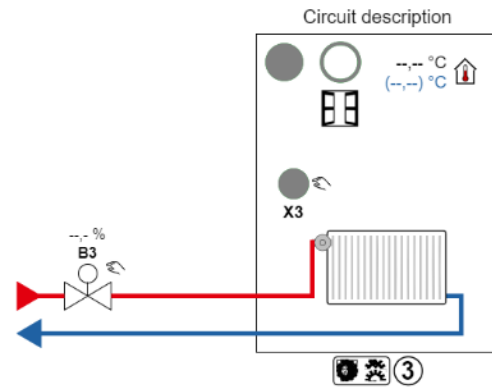
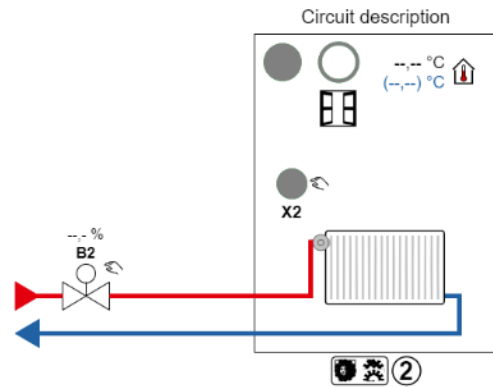
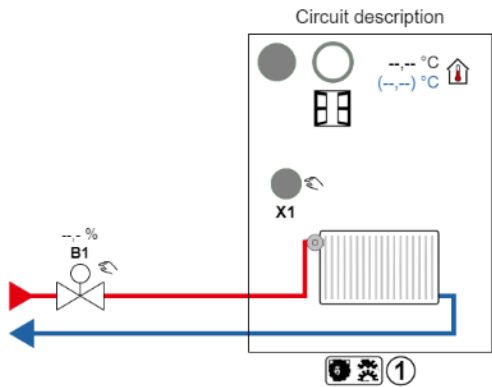


P302 1 DKSC-A2

Leanheat[®] Monitor – P302.1 DKSC-A3



--- °C
s1
Controller time:
1st Jan 1970, 00:00



P302 1 DKSC-A3

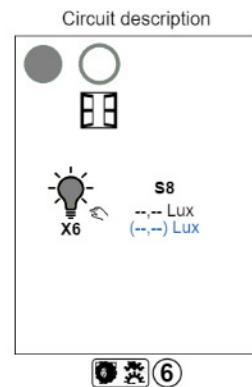
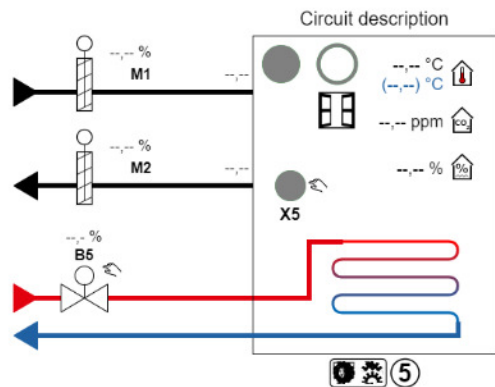
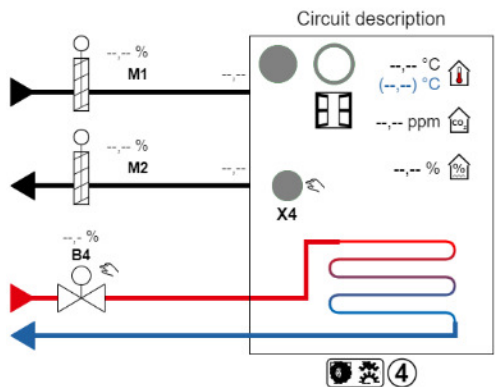
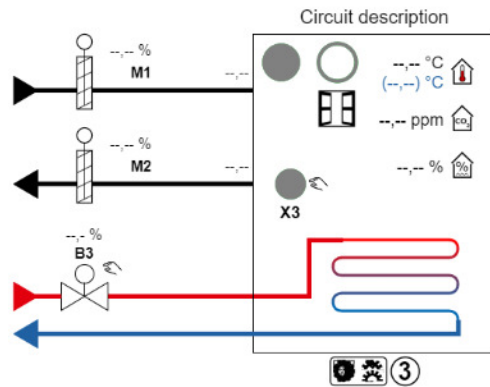
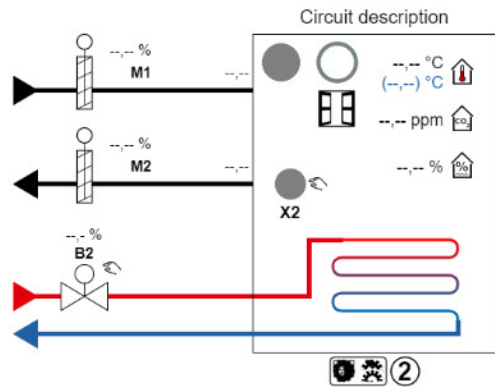
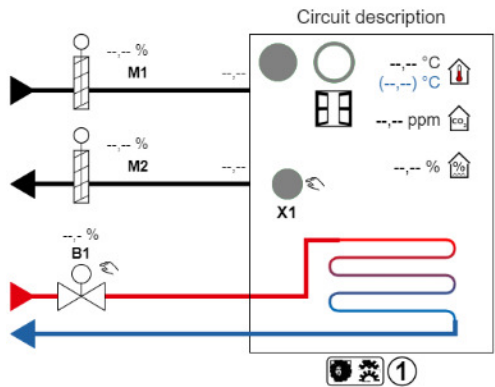
Leanheat[®] Monitor – P302.1 DKSC-D1



-- °C
 S1

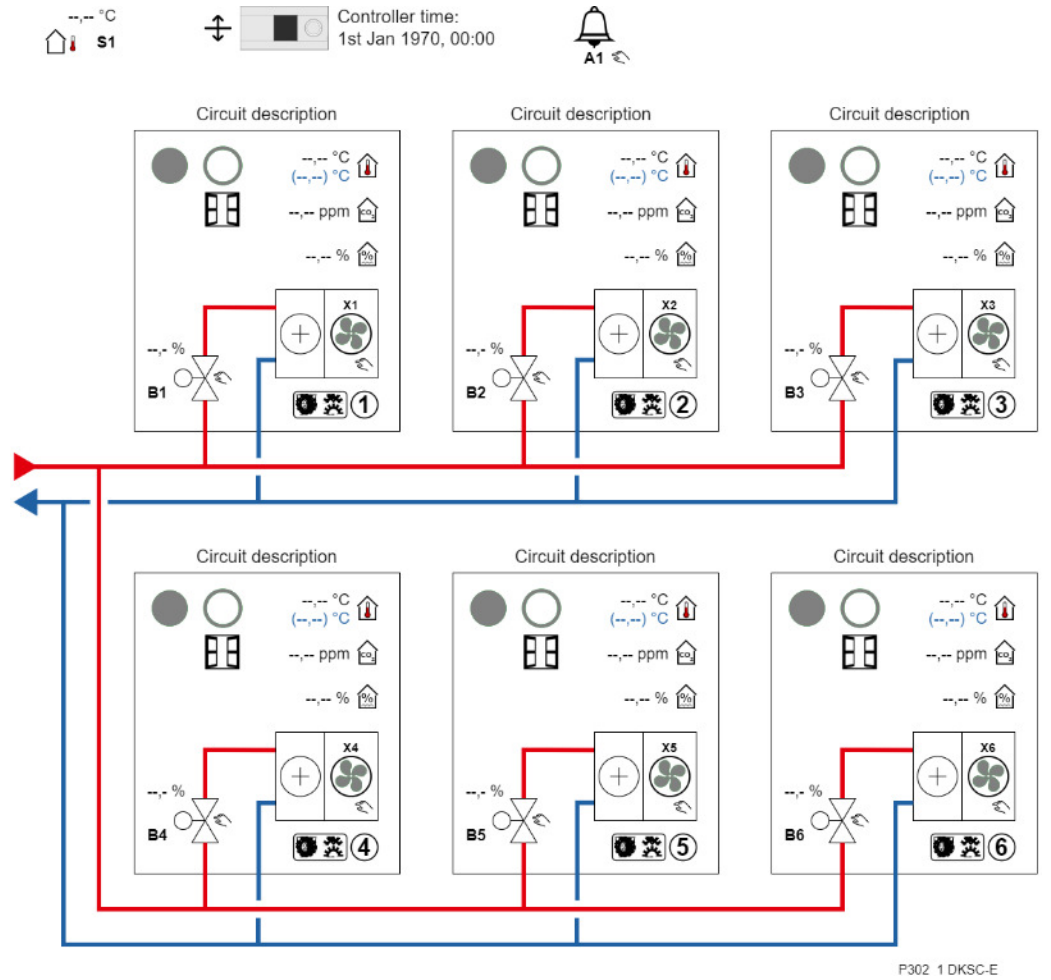
Controller time:
 1st Jan 1970, 00:00

A1



P302 1 DKSC-D1

Leanheat[®] Monitor – P302.1 DKSC-E

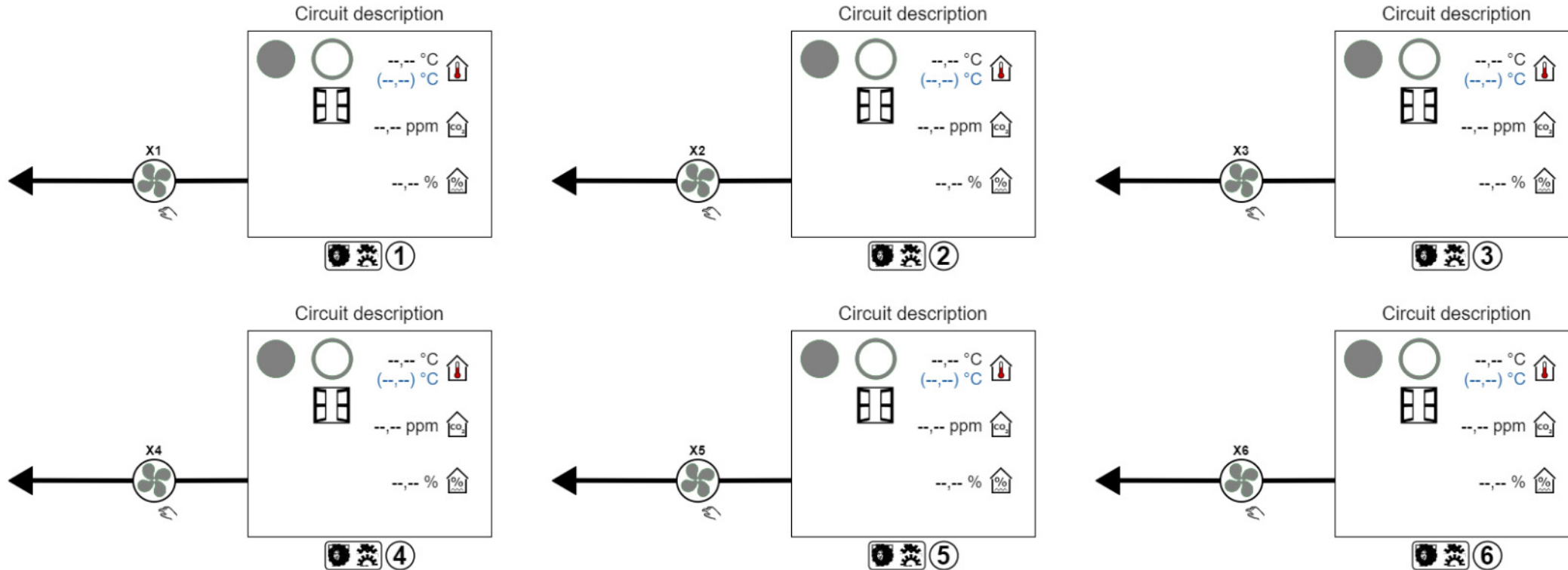


P302.1 DKSC-E

Leanheat[®] Monitor – P302.1 DKSC-F

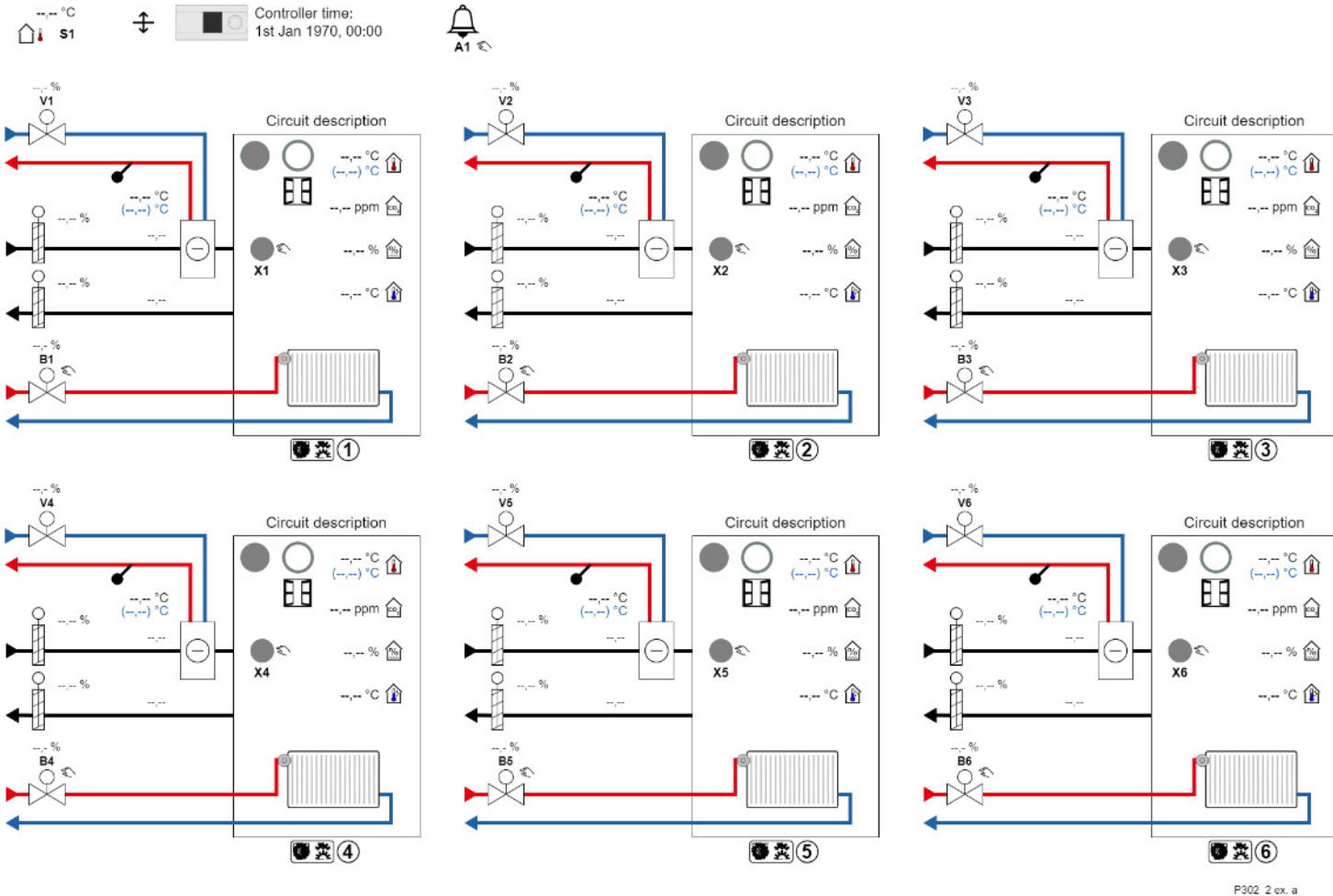


Temperature icon: --,-- °C
House icon: s1
Up/Down arrow icon
Controller time: 1st Jan 1970, 00:00
Bell icon: A1



P302 1 DKSC-F

Leanheat[®] Monitor – P302.2 ex. a

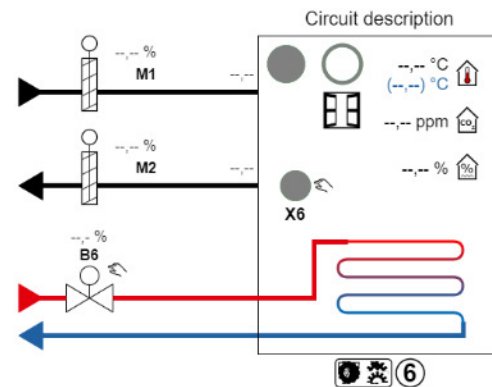
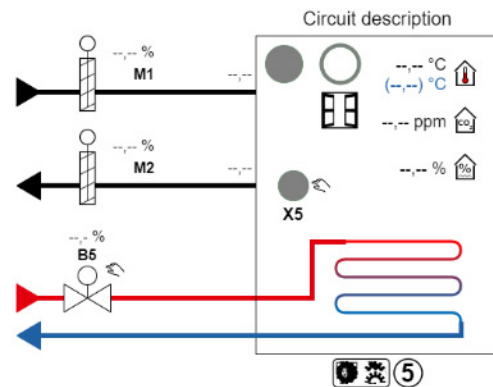
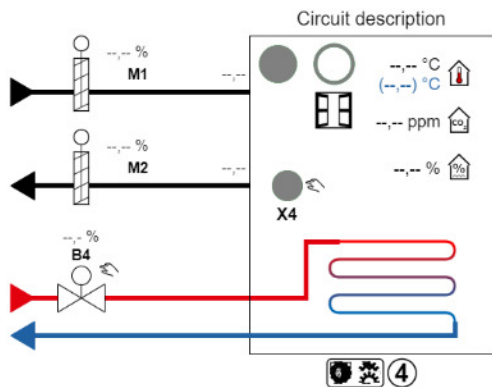
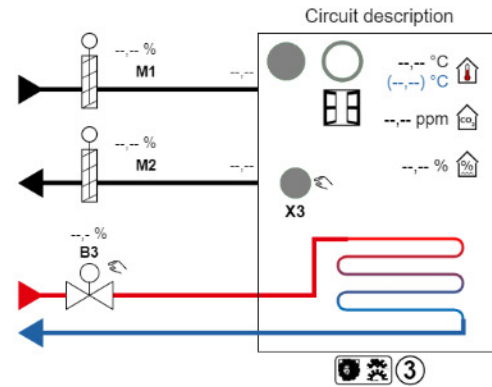
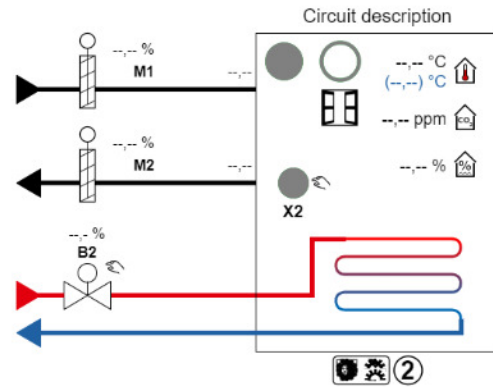
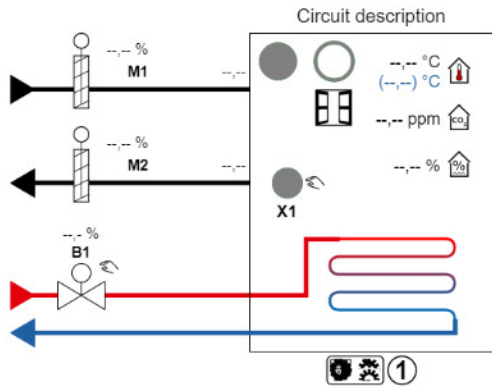


P302.2 ex. a

Leanheat® Monitor – P302.2 ex. a1



--- °C
s1
Controller time:
1st Jan 1970, 00:00



P302 2 ex. a1

Leanheat[®] Monitor – P302.2 ex. a2



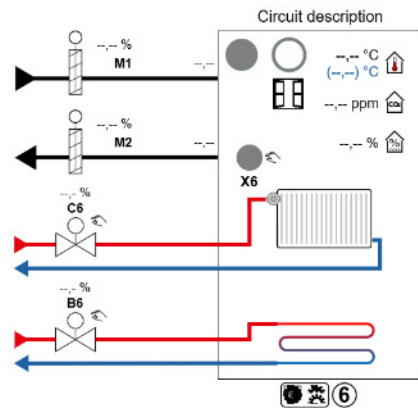
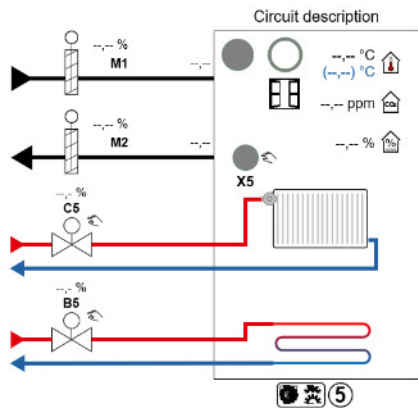
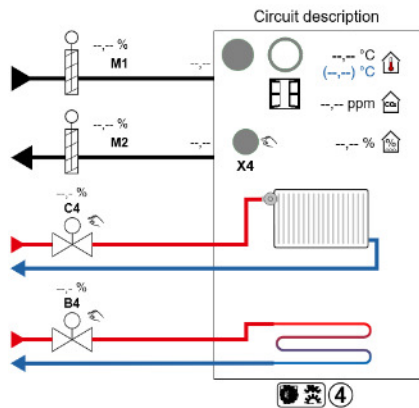
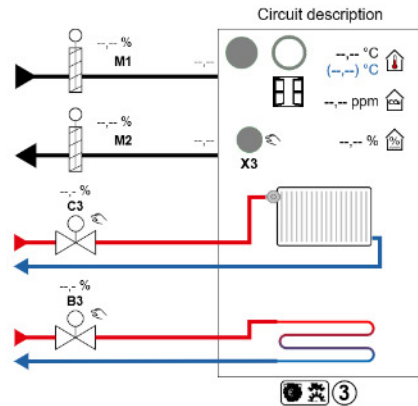
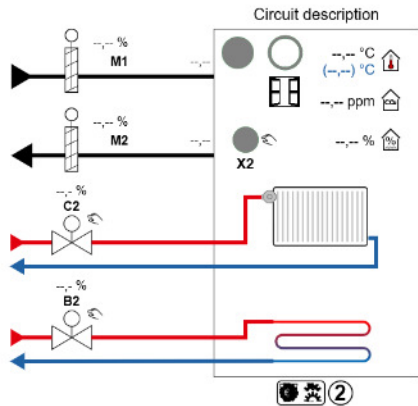
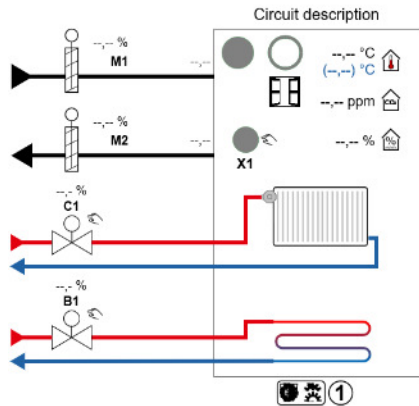
--- °C
s1



Controller time:
1st Jan 1970, 00:00

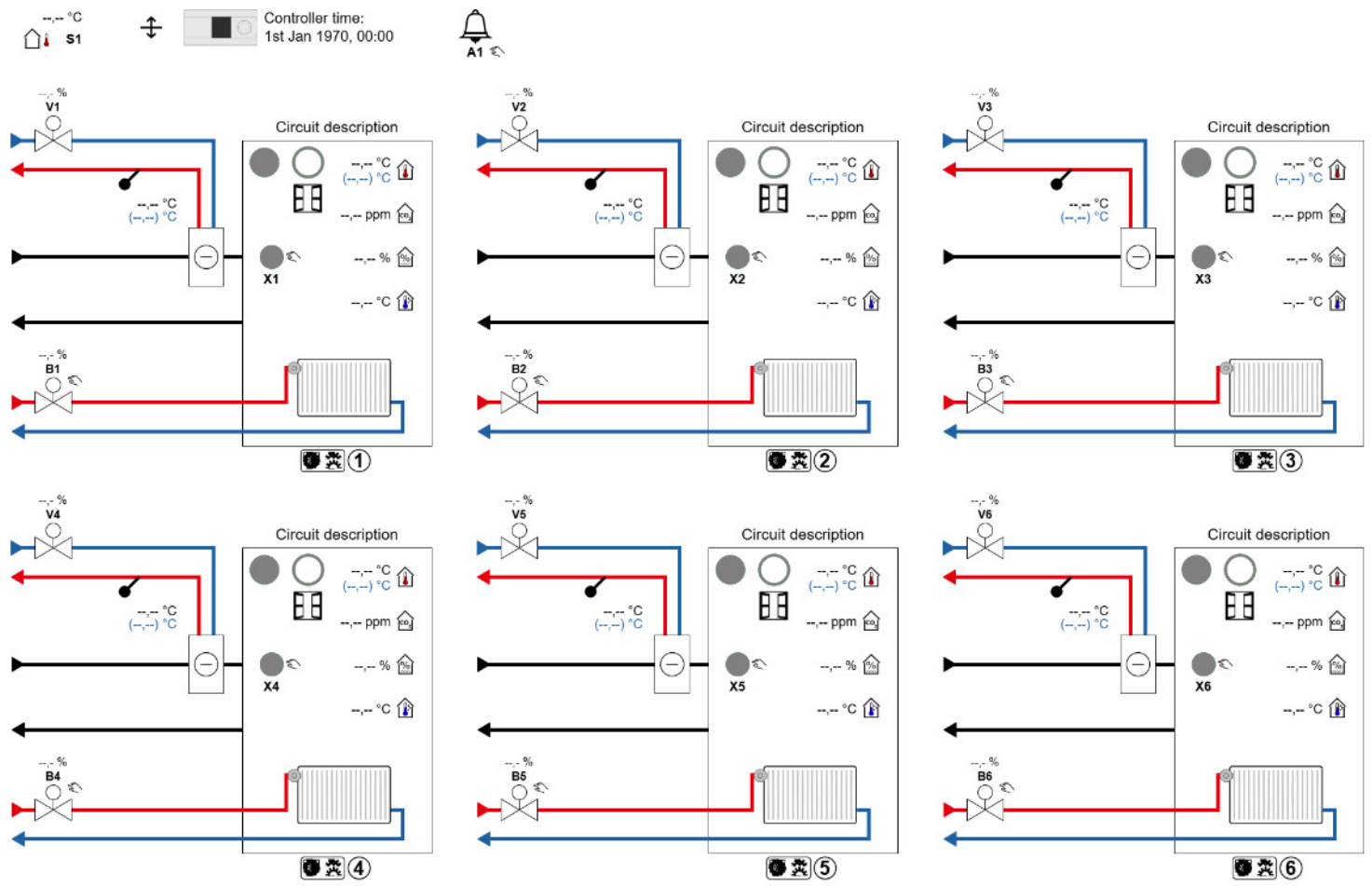


A1



P302 2 ex. a2

Leanheat[®] Monitor – P302.2 ex. a3

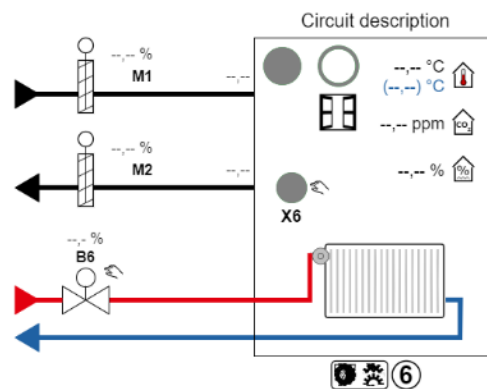
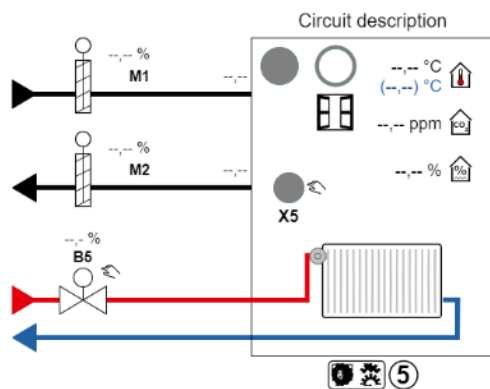
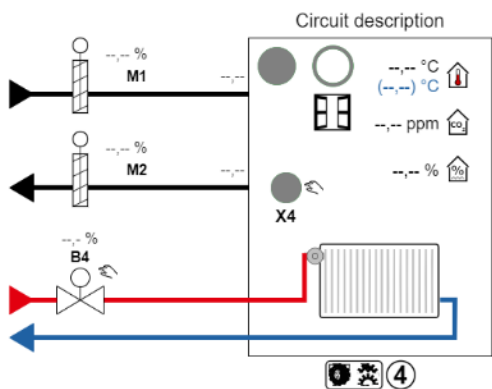
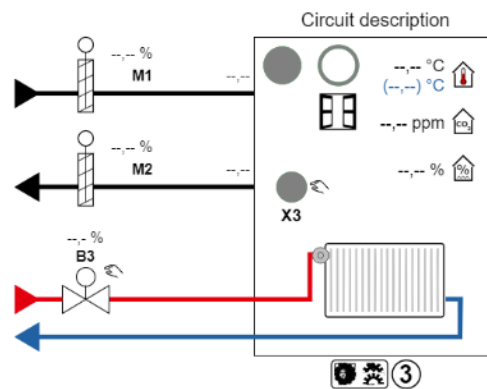
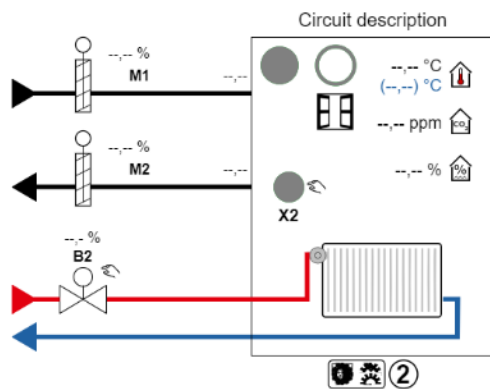
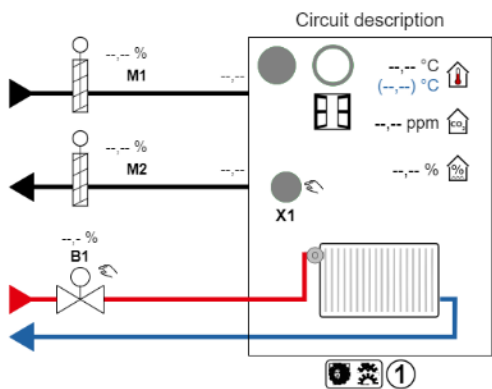


P302 2 ex. a3

Leanheat[®] Monitor – P302.2 ex. b



--- °C
s1
Controller time:
1st Jan 1970, 00:00



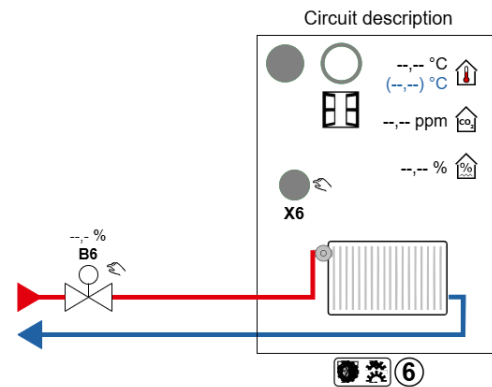
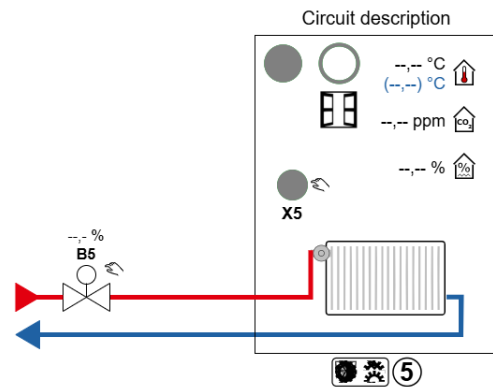
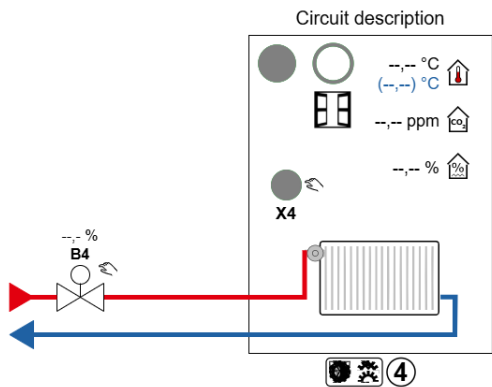
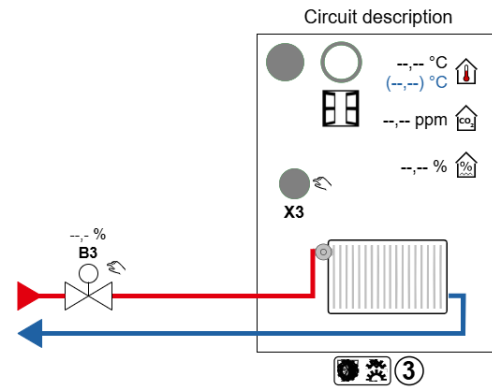
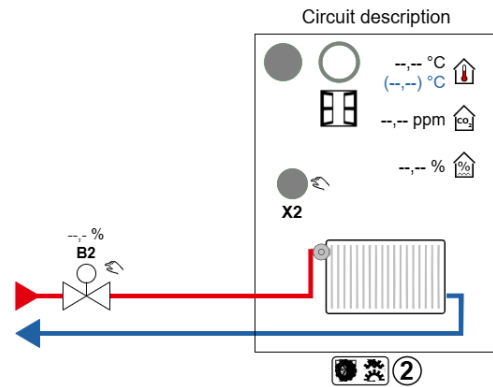
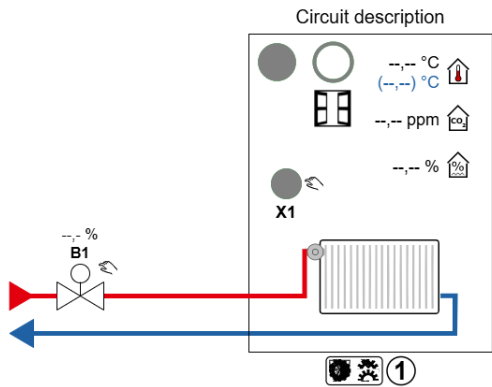
P302 2 ex. b

Leanheat[®] Monitor – P302.2 ex. c1



--- °C
s1

Controller time:
1st Jan 1970, 00:00



P302 2 ex. c1

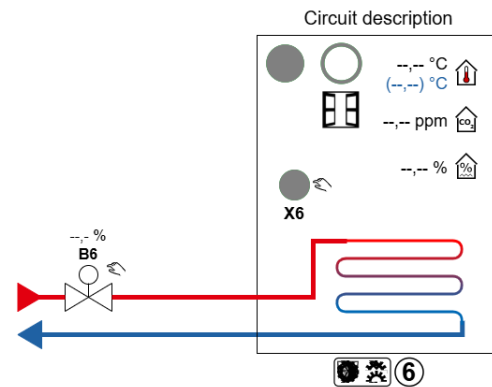
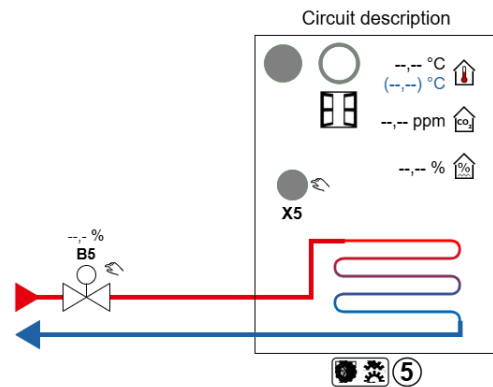
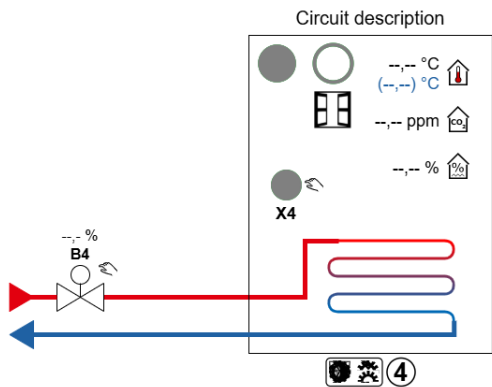
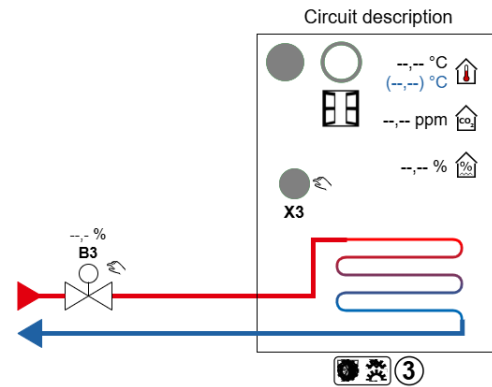
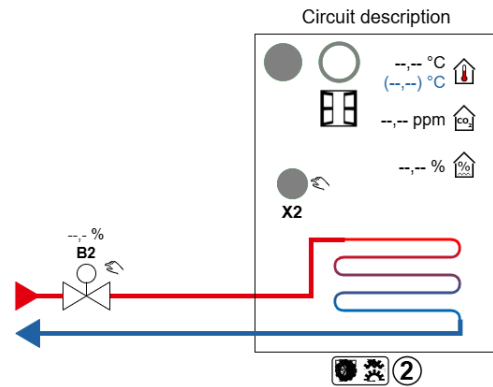
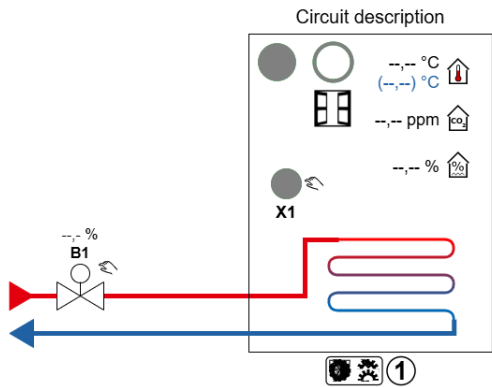
Leanheat® Monitor – P302.2 ex. c2



--- °C
s1

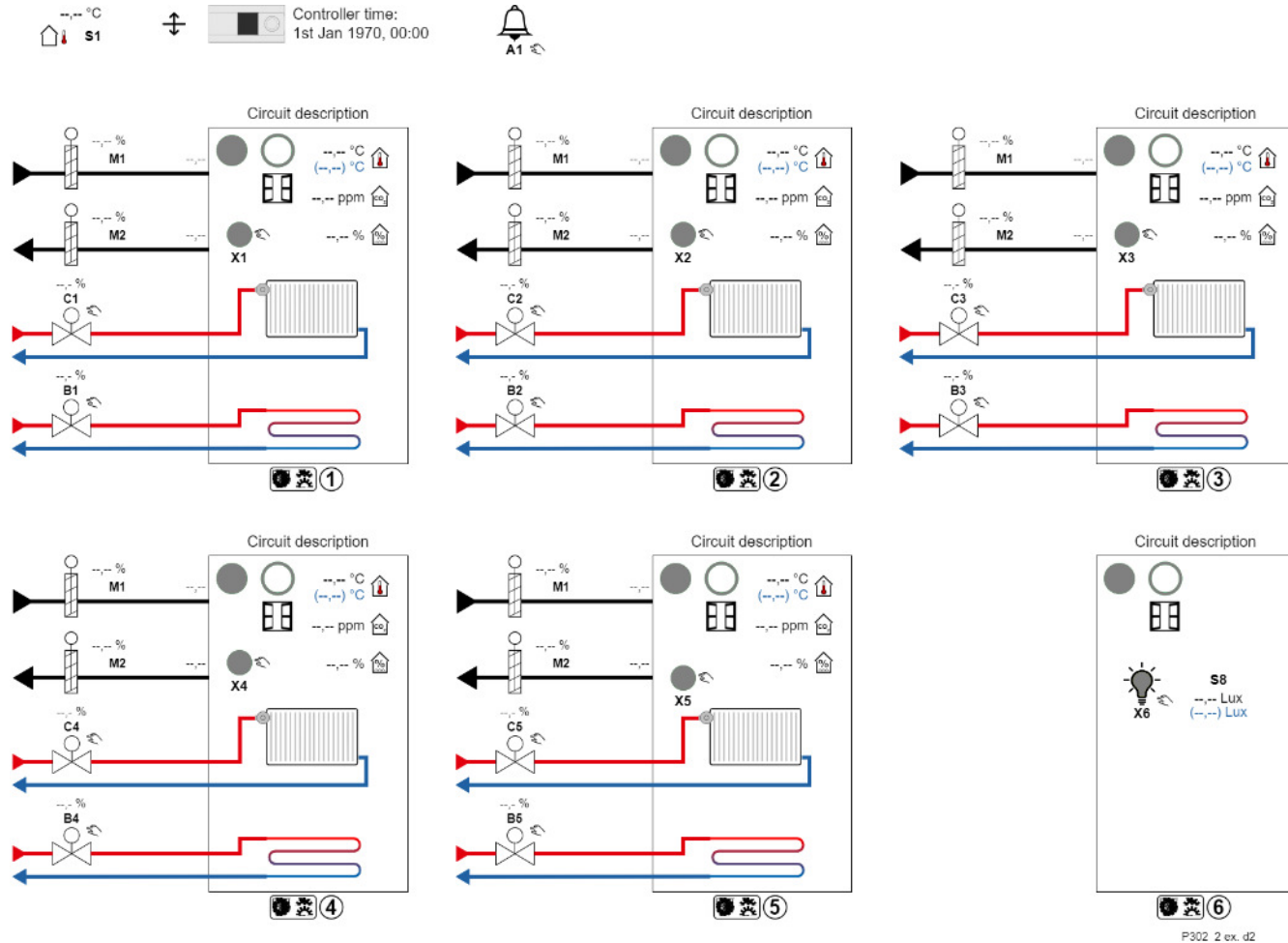


Controller time:
1st Jan 1970, 00:00



P302 2 ex. c2

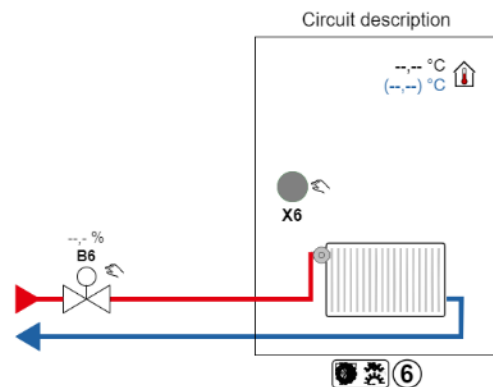
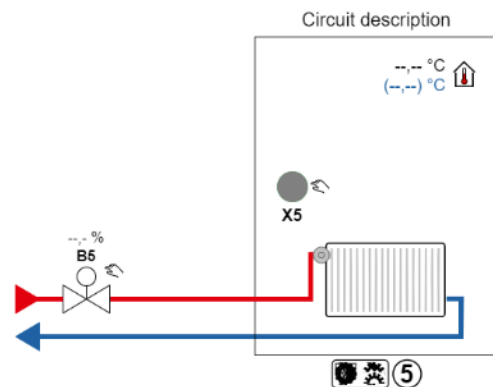
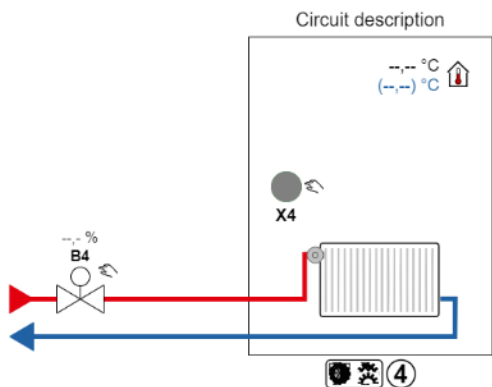
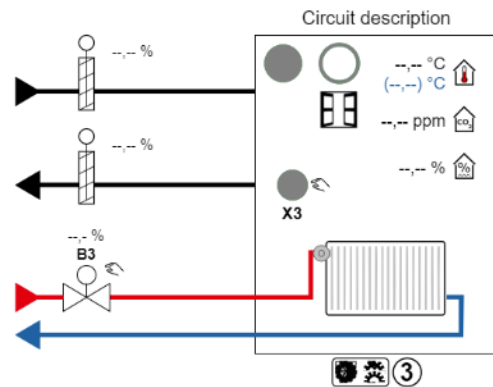
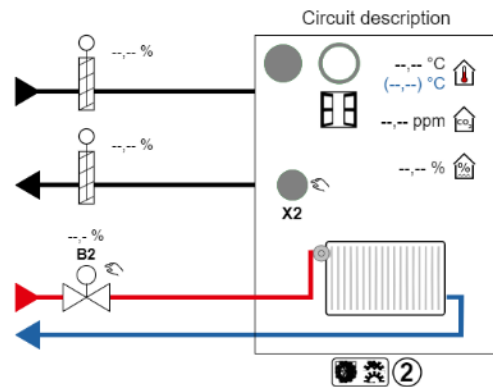
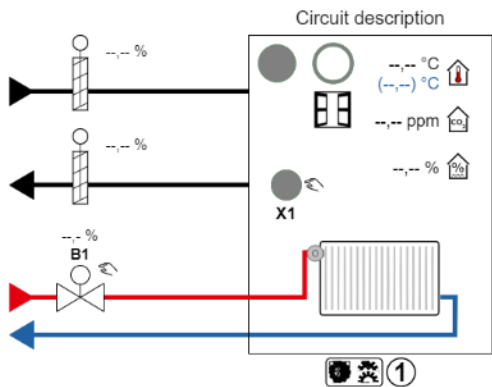
Leanheat[®] Monitor – P302.2 ex. d2



Leanheat[®] Monitor – P302.2 ex. f



--- °C ↕ Controller time:
1st Jan 1970, 00:00



P302 2 ex. f

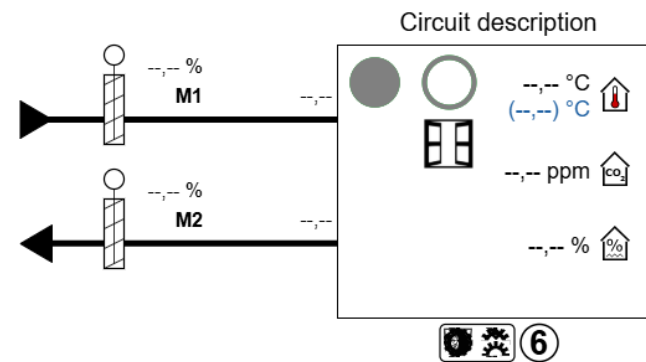
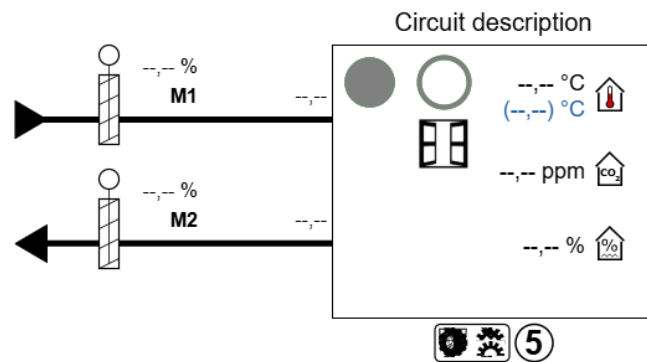
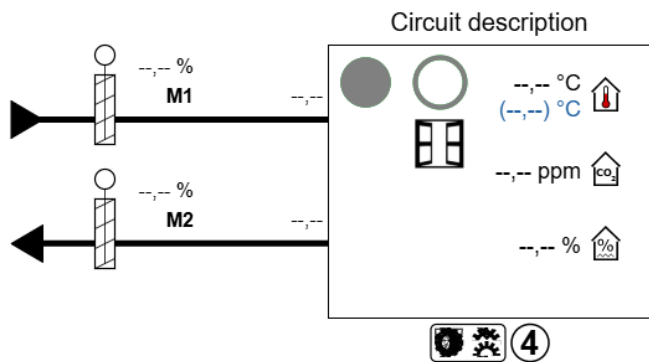
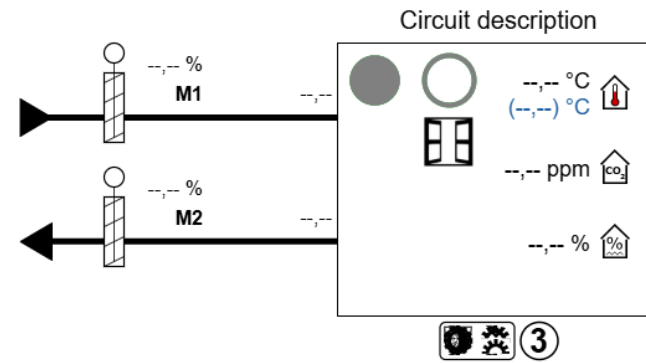
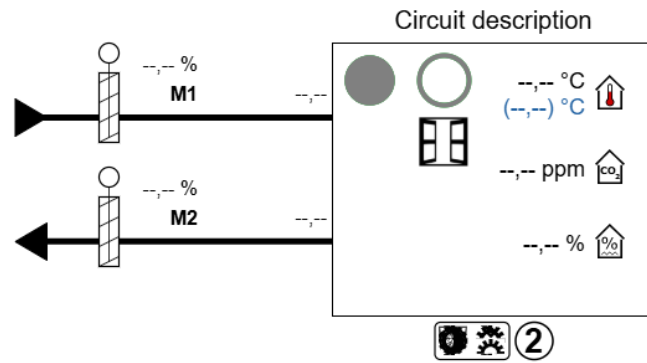
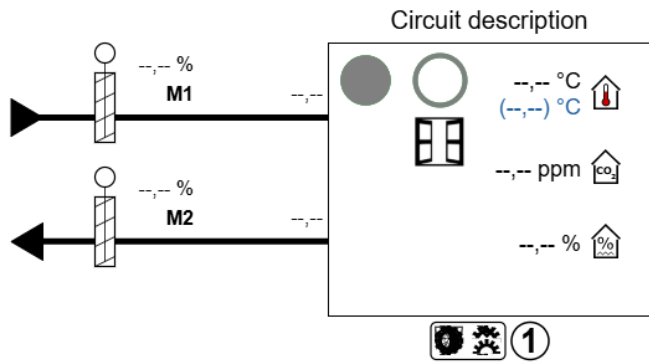
Leanheat[®] Monitor – P302.2 ex. g



--,-- °C
S1

Controller time:
 1st Jan 1970, 00:00

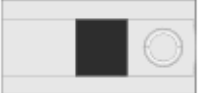
A1



P302 1 ex. g

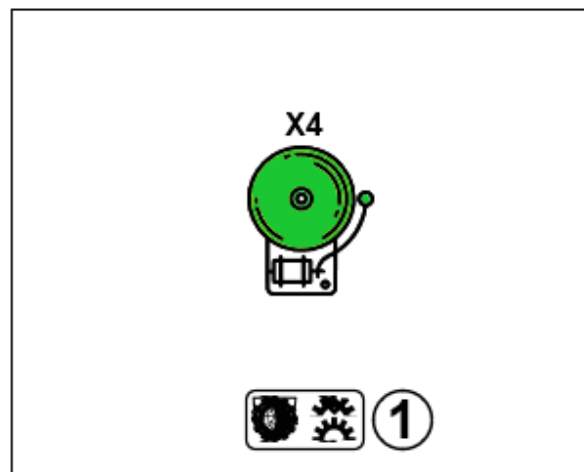
Leanheat[®] Monitor – P302.20 ex. a



↕  Controller time:
1st Jan 1970, 00:00



Circuit description

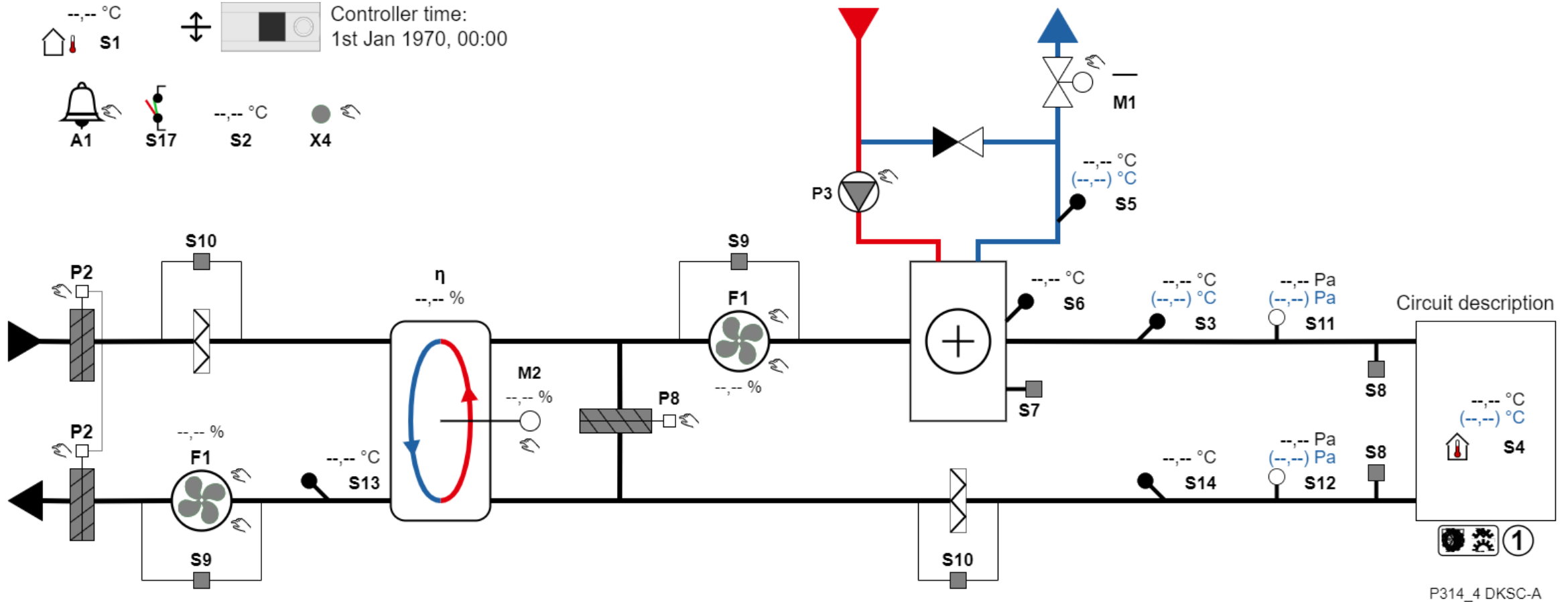


P302 20 ex. a

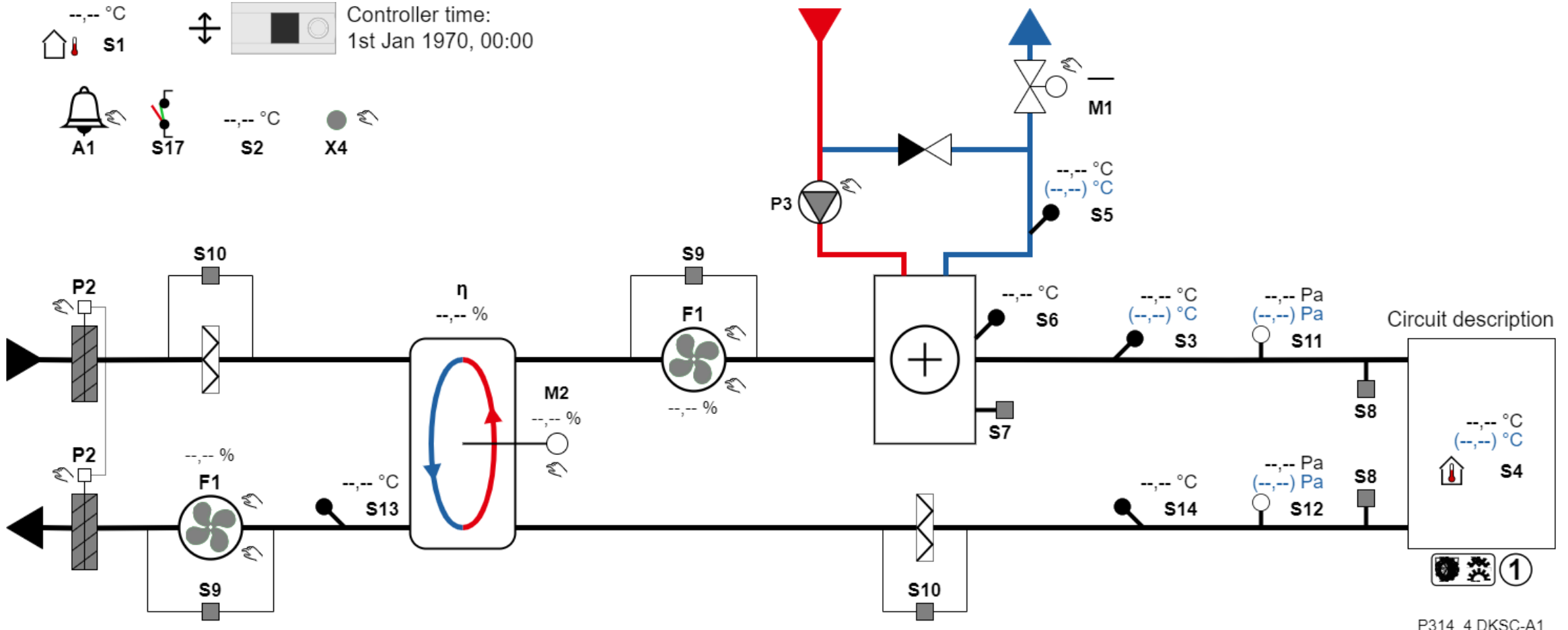
P314



Leanheat[®] Monitor – P314.4 DKSC-A

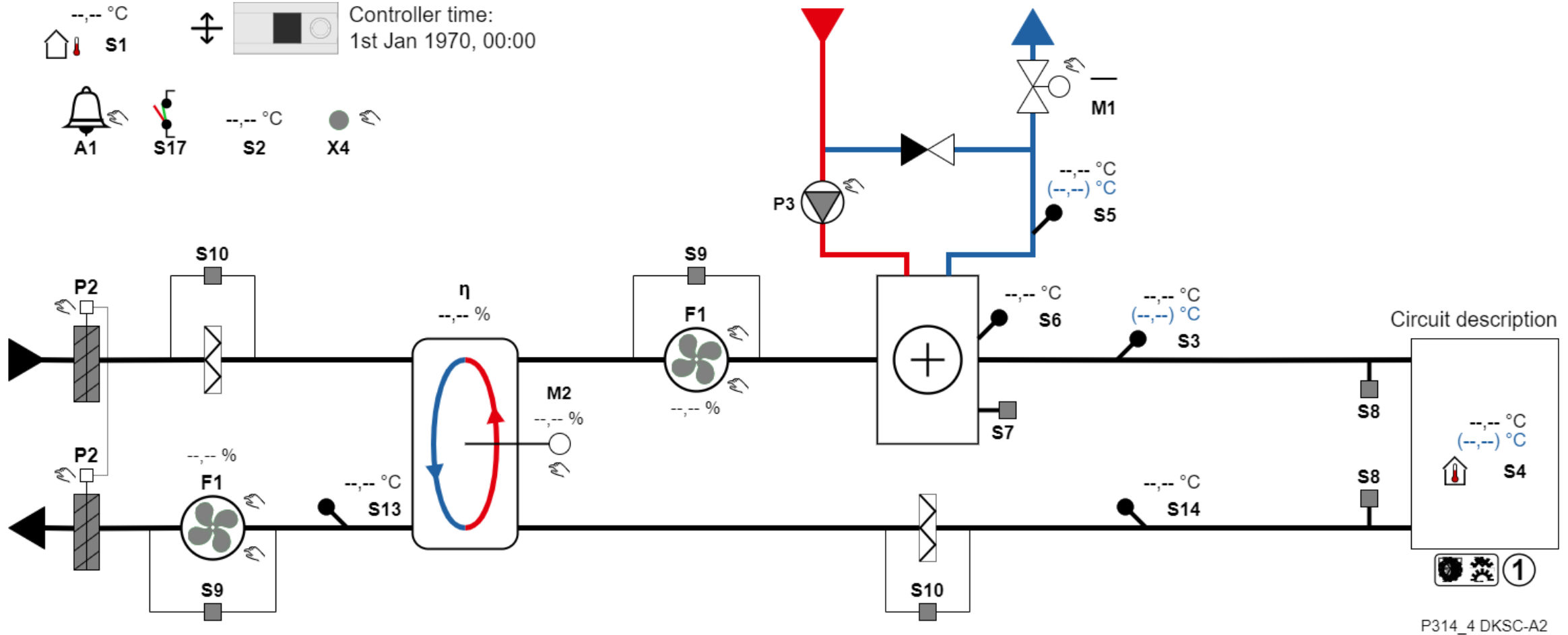


Leanheat® Monitor – P314.4 DKSC-A1

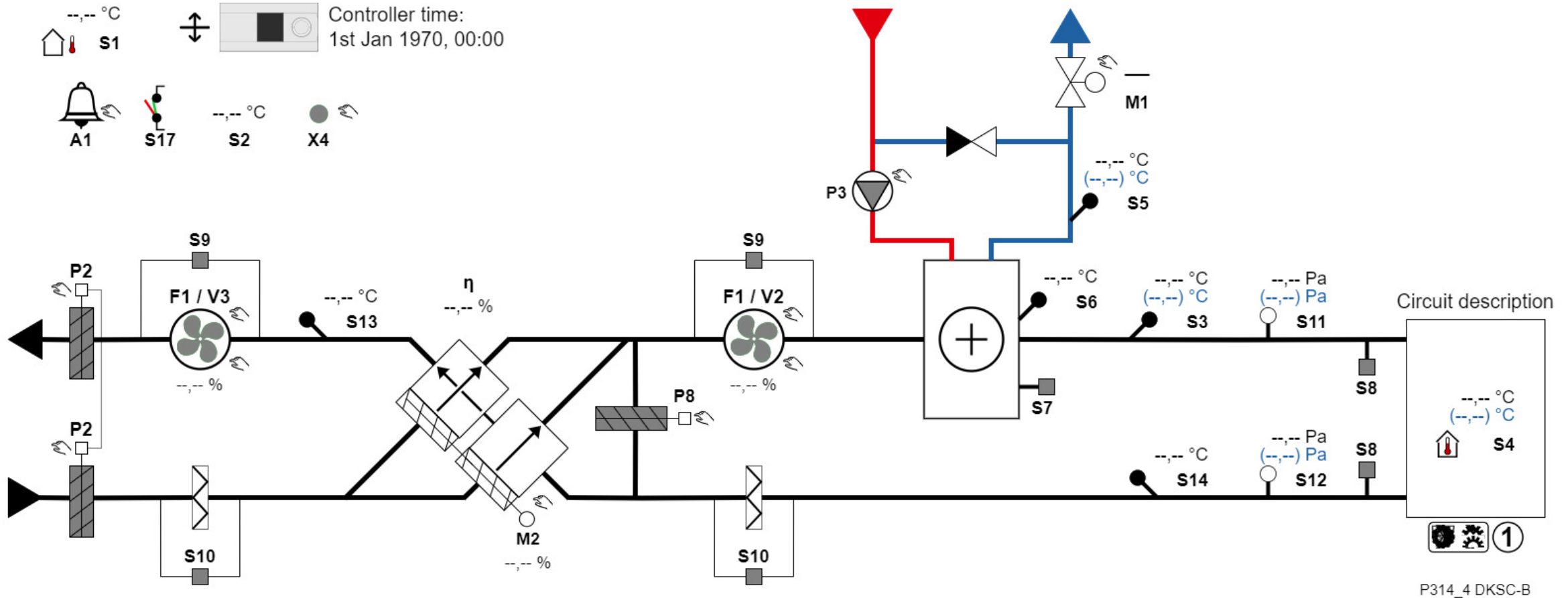


P314_4 DKSC-A1

Leanheat[®] Monitor – P314.4 DKSC-A2

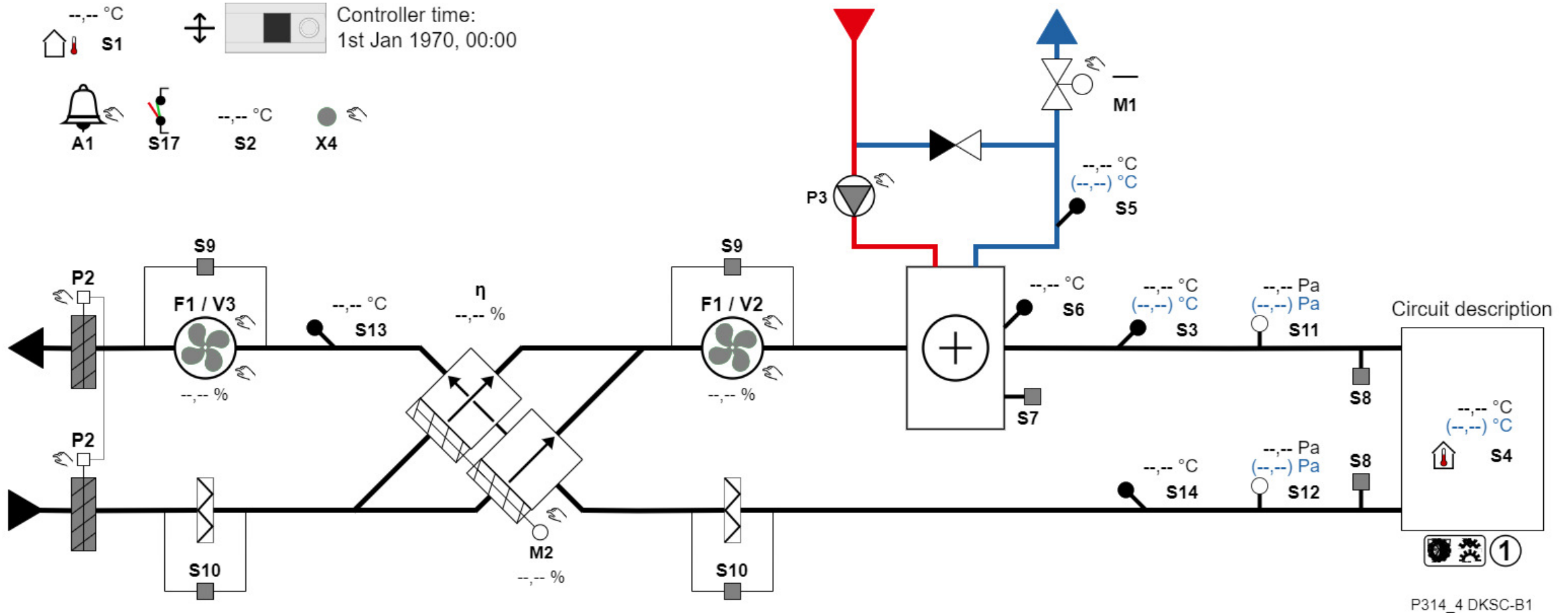


Leanheat[®] Monitor – P314.4 DKSC-B

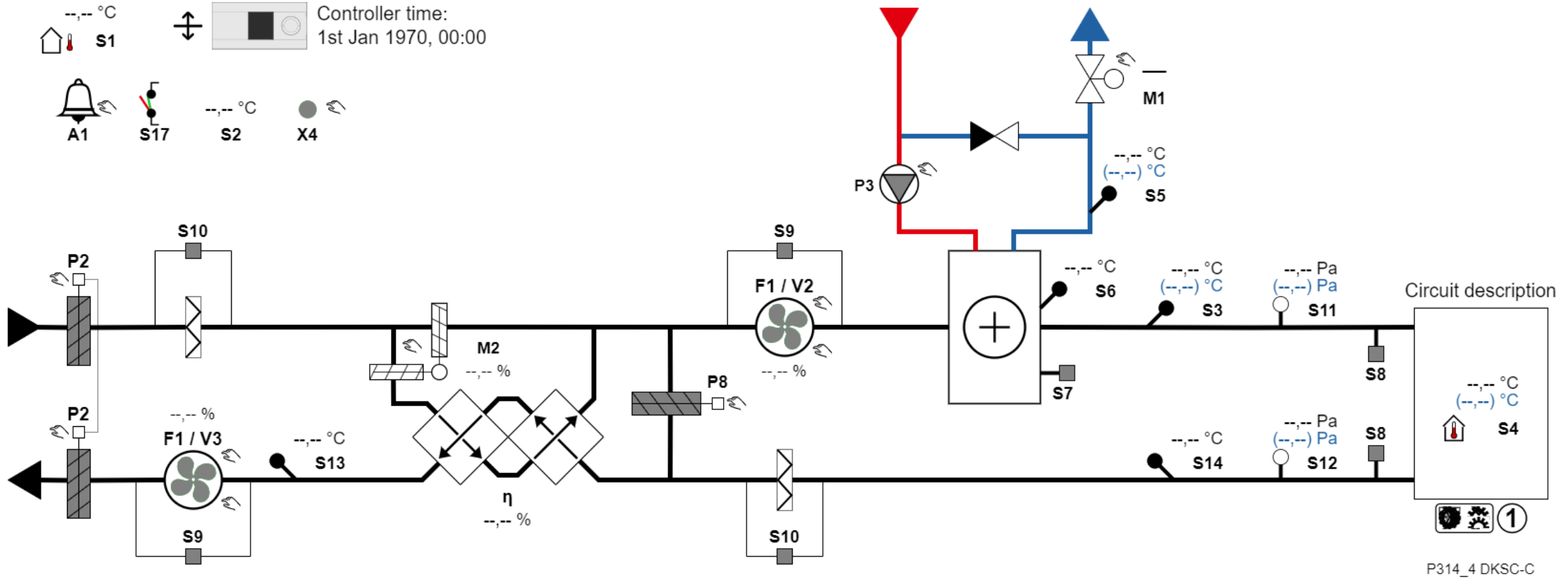


--- °C
 S1
 Controller time:
 1st Jan 1970, 00:00
 A1
 S17
 --- °C
 S2
 X4

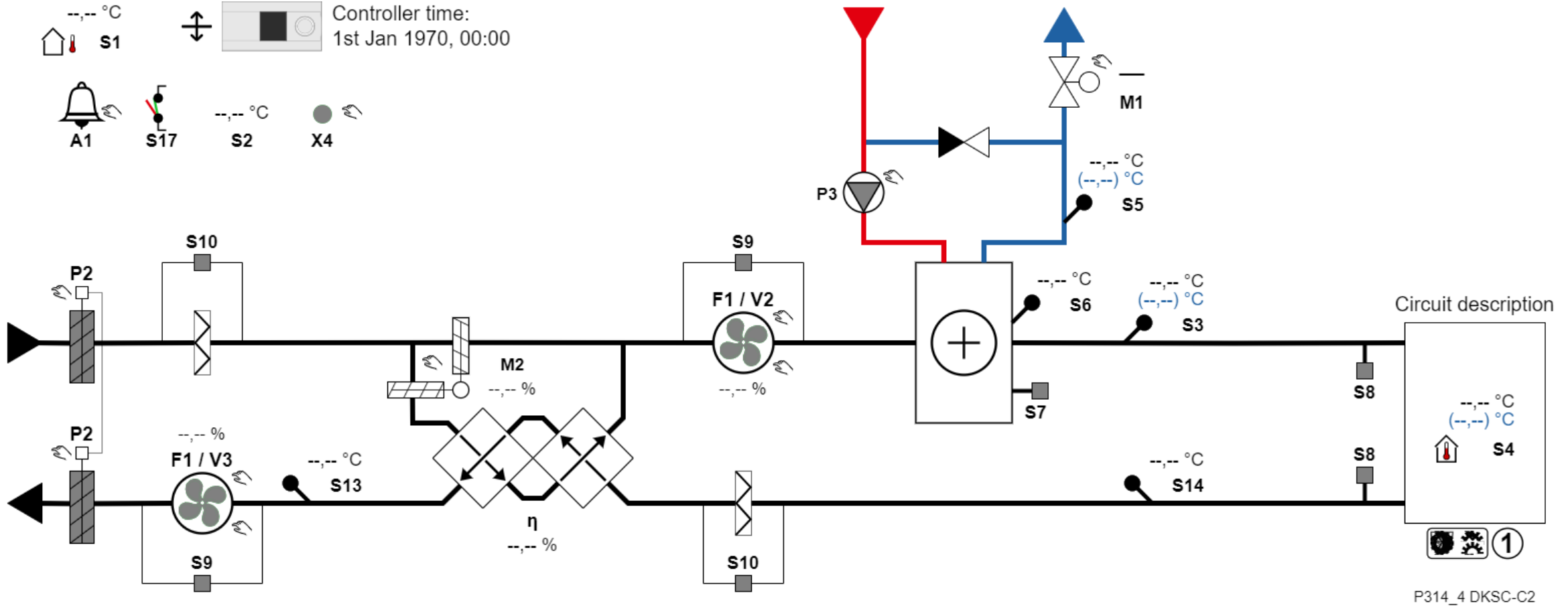
Leanheat[®] Monitor – P314.4 DKSC-B1



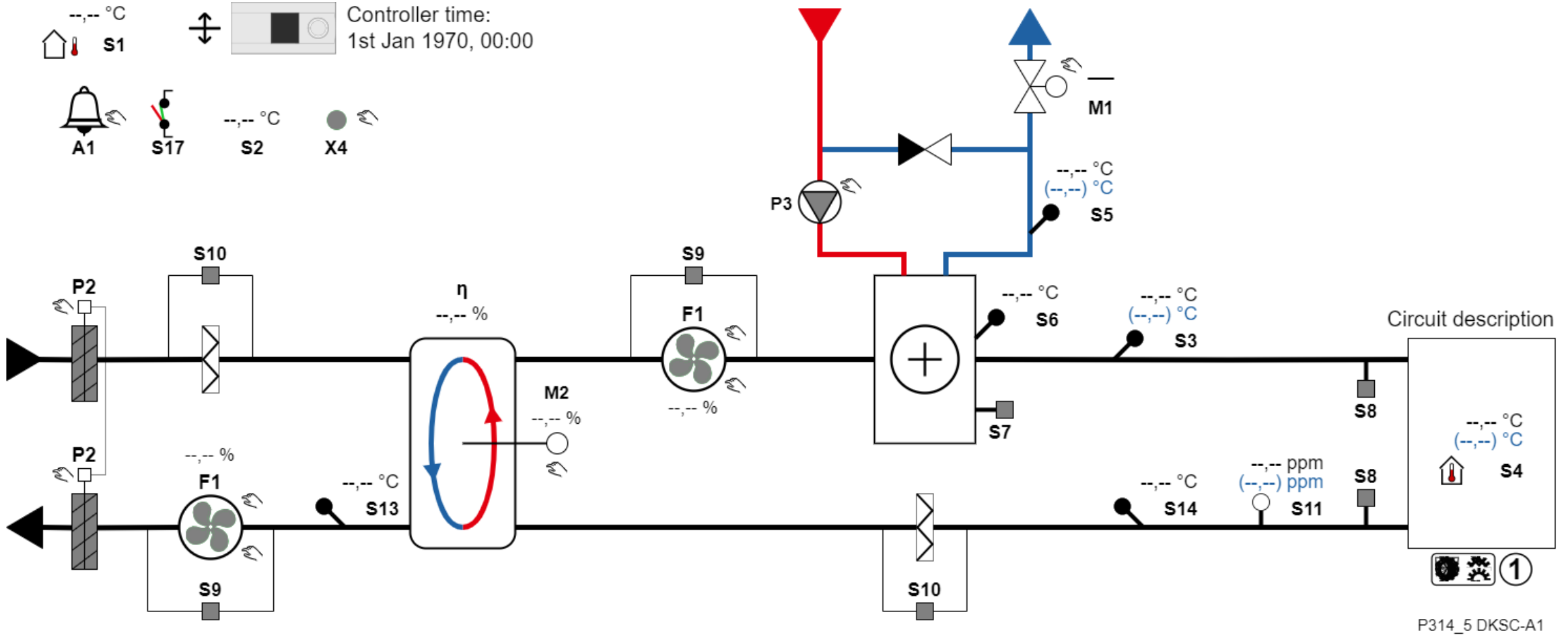
Leanheat[®] Monitor – P314.4 DKSC-C



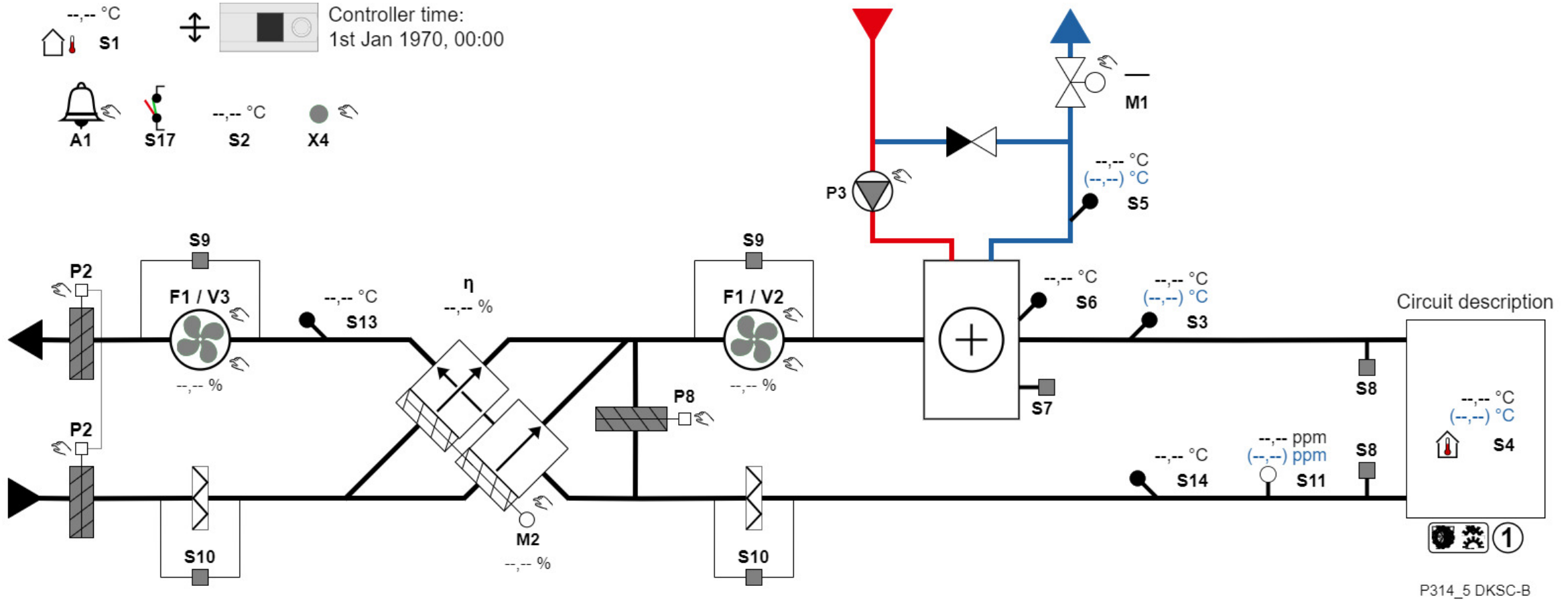
Leanheat[®] Monitor – P314.4 DKSC-C2



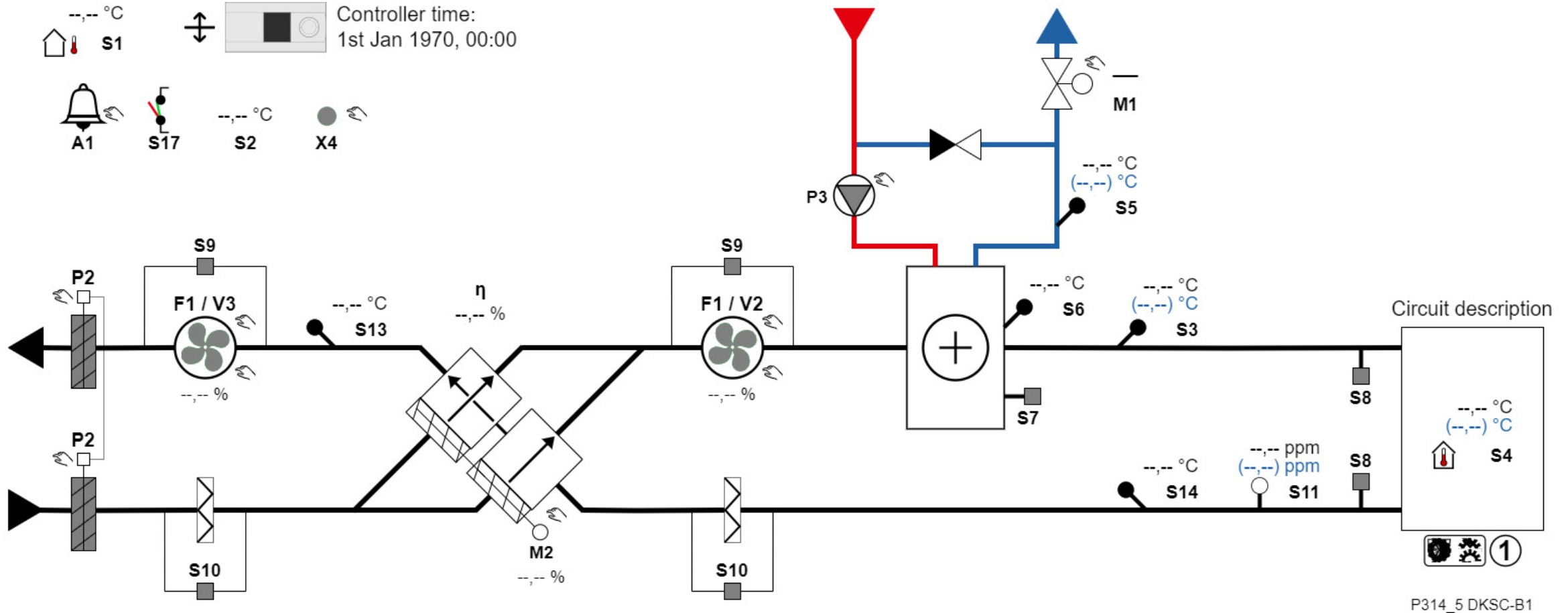
Leanheat® Monitor – P314.5 DKSC-A1



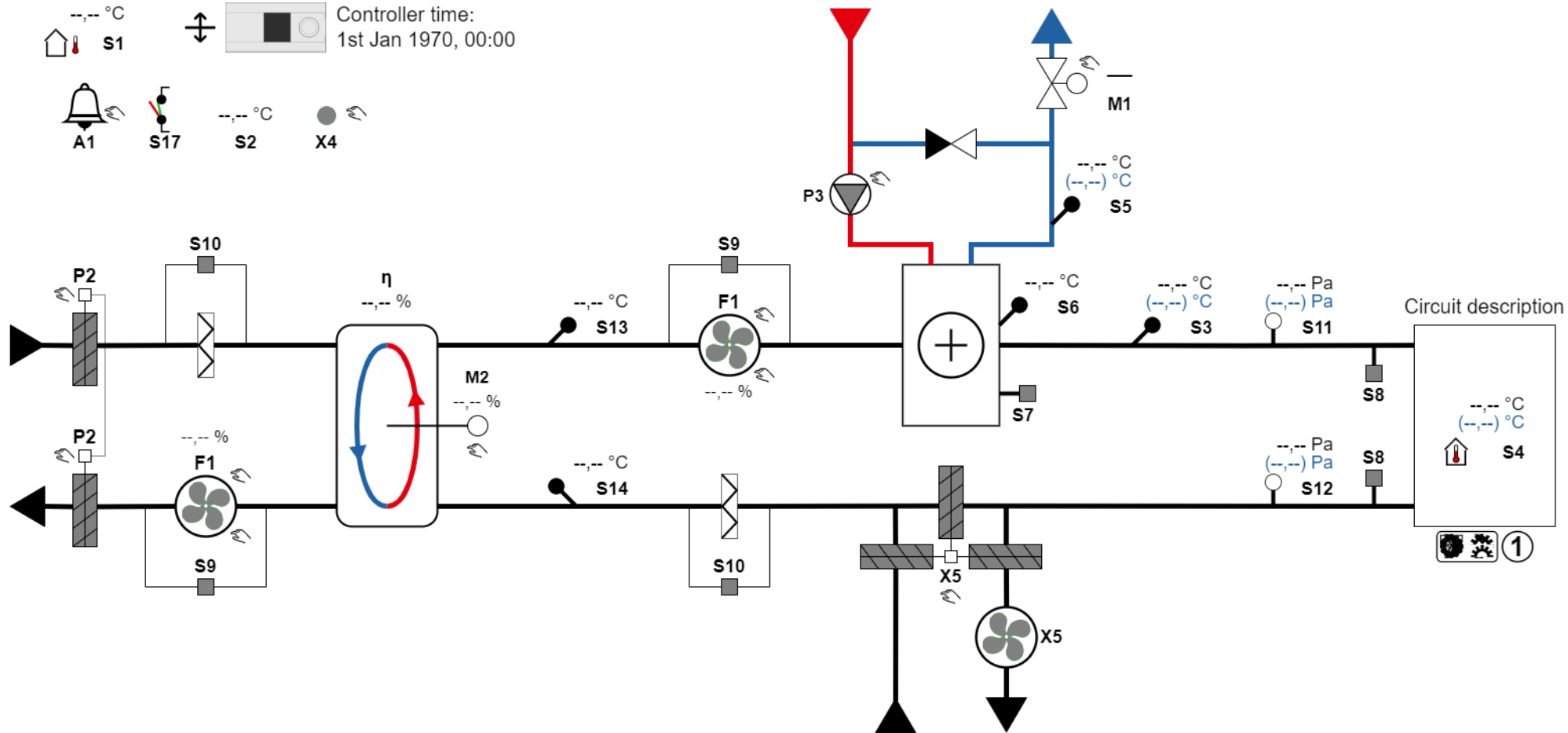
Leanheat[®] Monitor – P314.5 DKSC-B



Leanheat[®] Monitor – P314.5 DKSC-B1



Leanheat® Monitor – P314.8 DKSC-A1

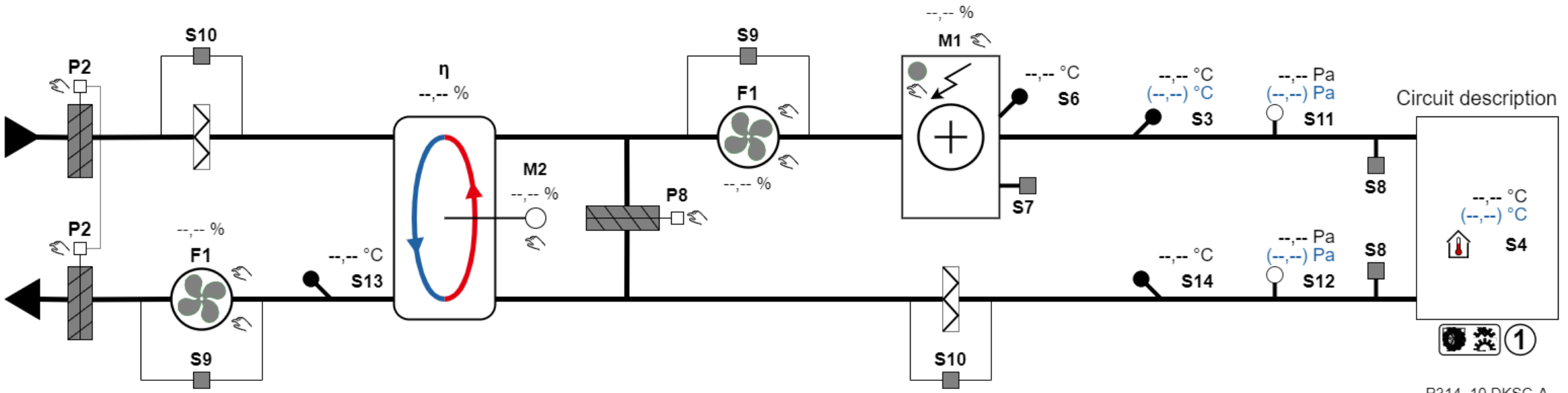


P314 8 DKSC-A1

Leanheat[®] Monitor – P314.10 DKSC-A



--- °C **S1**
 Controller time:
 1st Jan 1970, 00:00
A1
 S17
 --- °C **S2**
 ● **X5**

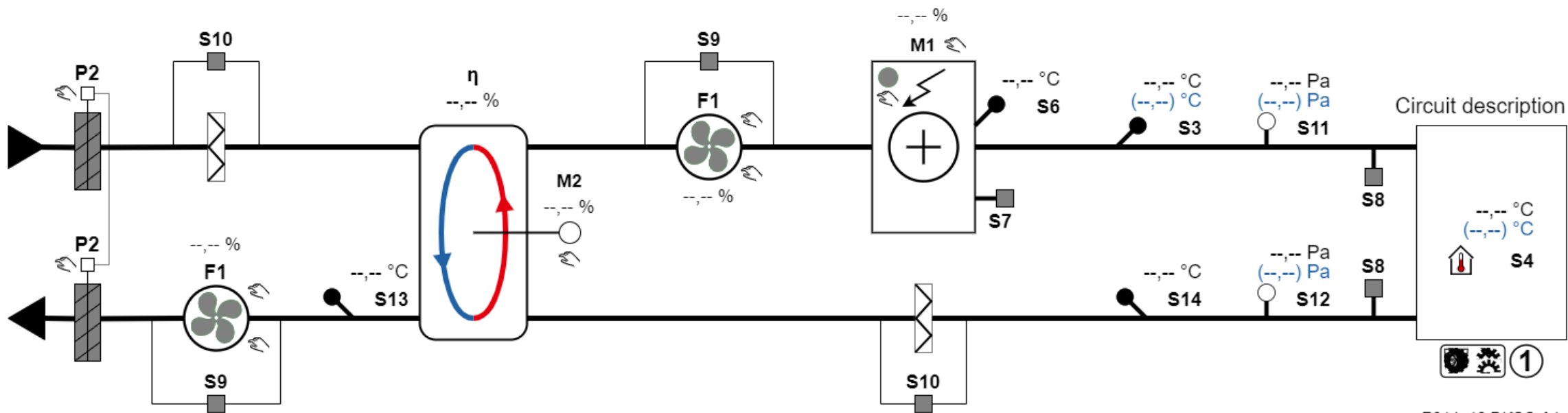
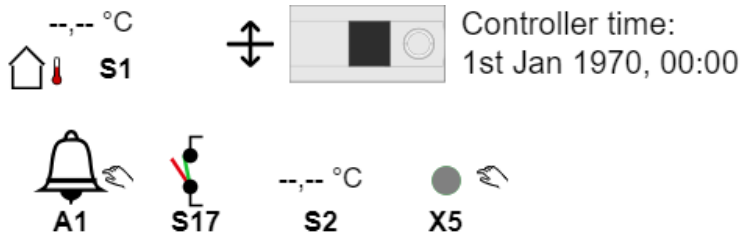


Circuit description

--- °C
 (---) °C
 ● **S4**
 ①

P314_10 DKSC-A

Leanheat[®] Monitor – P314.10 DKSC-A1



P314_10 DKSC-A1

Leanheat[®] Monitor – P314.11 DKSC-A



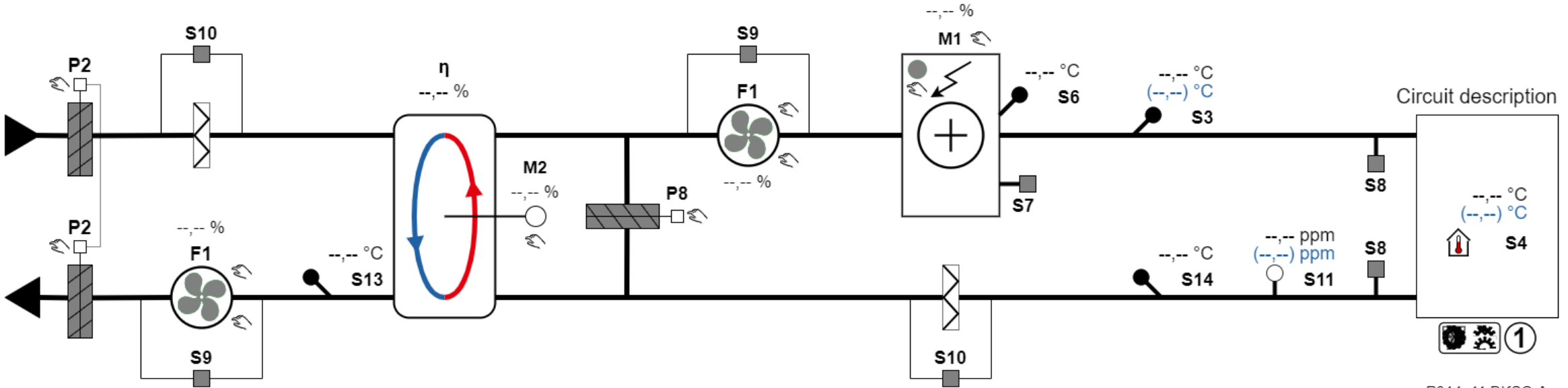
--- °C
 S1

↕ Controller time:
 1st Jan 1970, 00:00

A1

S17

--- °C X5

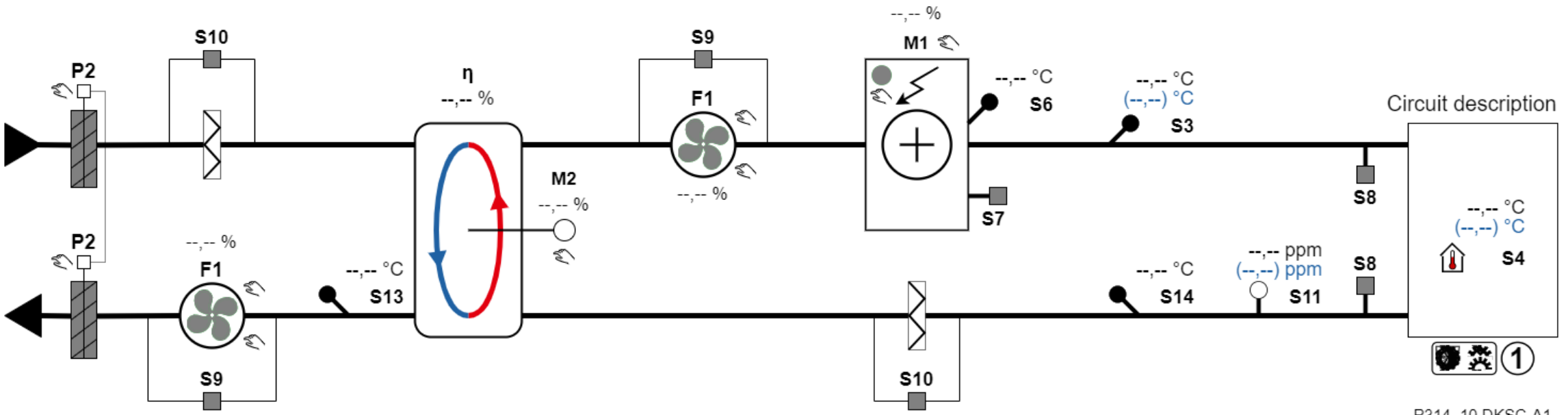


P314_11 DKSC-A

Leanheat[®] Monitor – P314.11 DKSC-A1



S1 $^{\circ}\text{C}$
 Controller time:
 1st Jan 1970, 00:00
 A1
 S17
 $^{\circ}\text{C}$ S2
 X5



P314_10 DKSC-A1

P318



Leanheat® Monitor – P318.21 DKSC-A1

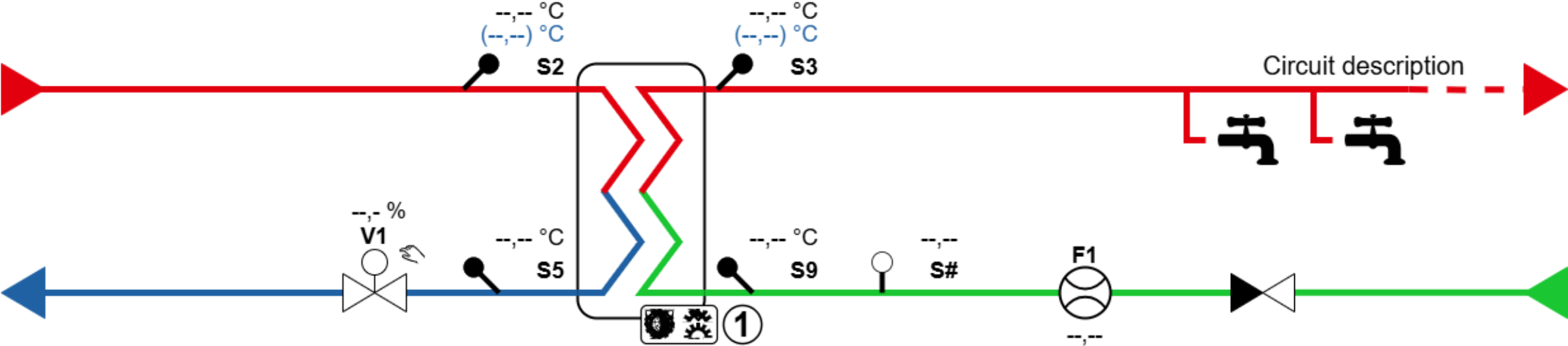


Controller time:
1st Jan 1970, 00:00

A1

X3

S11

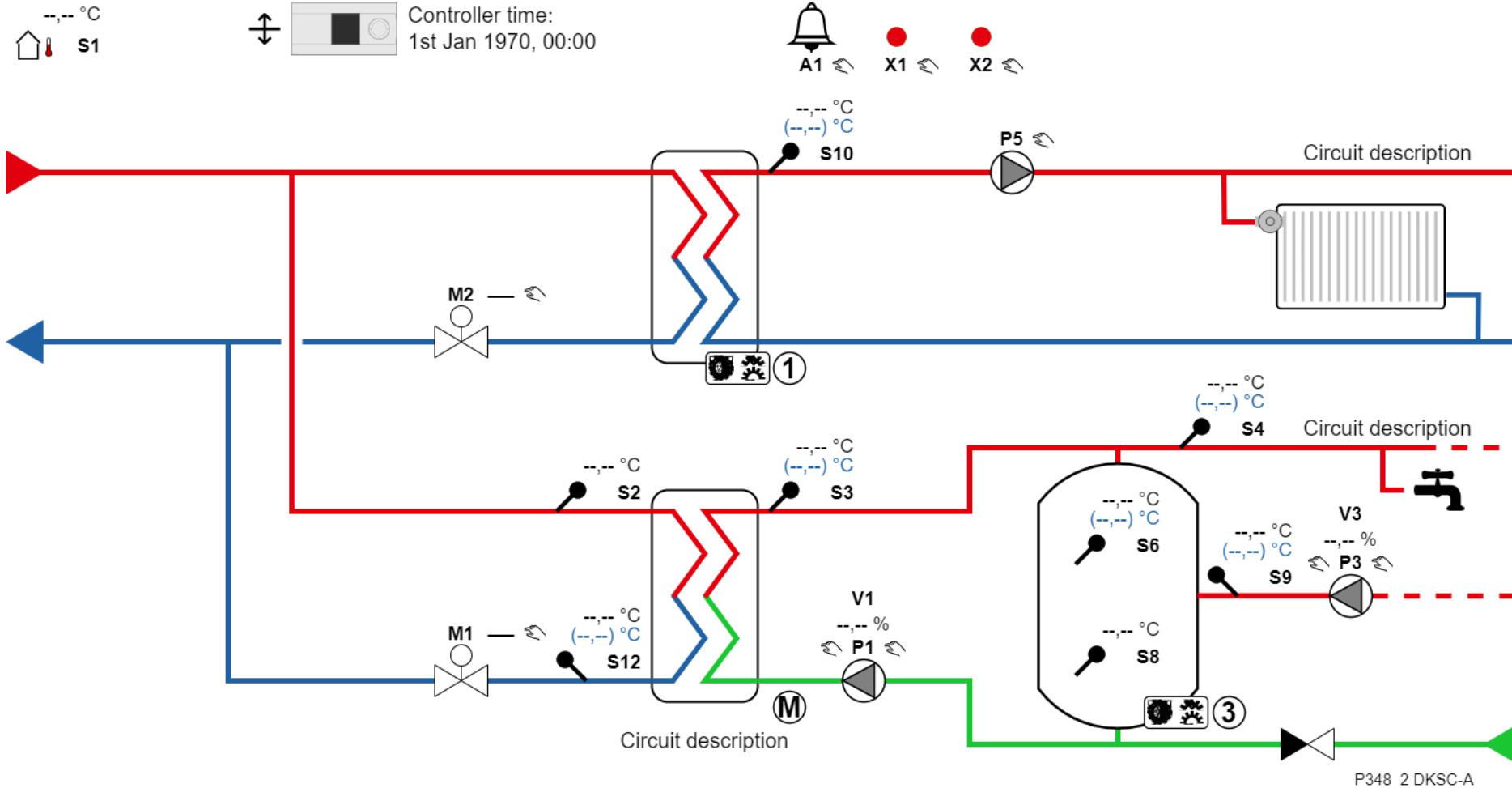


P318 21 DKSC-A1

P348



Leanheat® Monitor – P348.2 DKSC-A



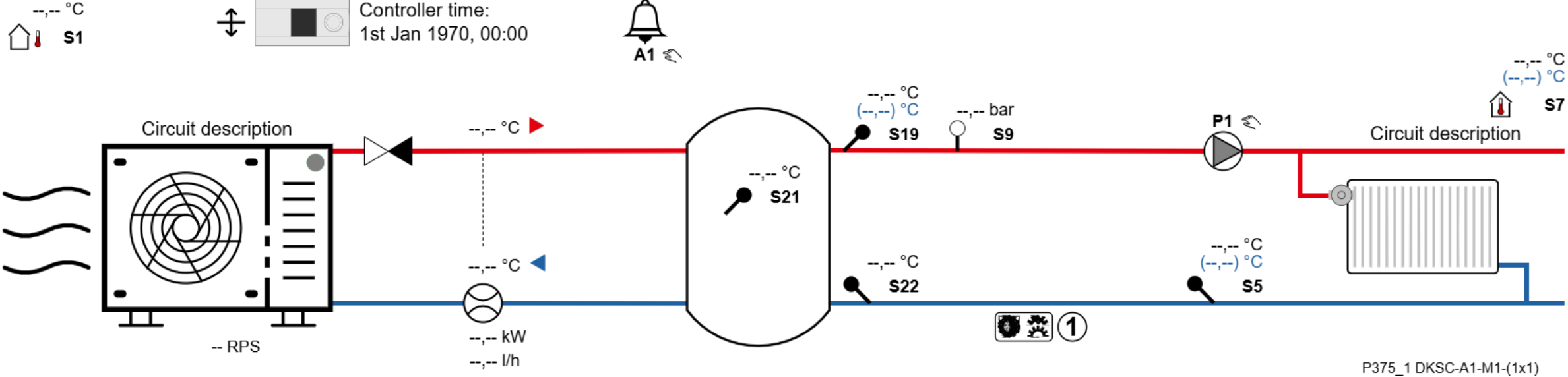
P375

Kan pt. kun anvendes med CTC varmepumper



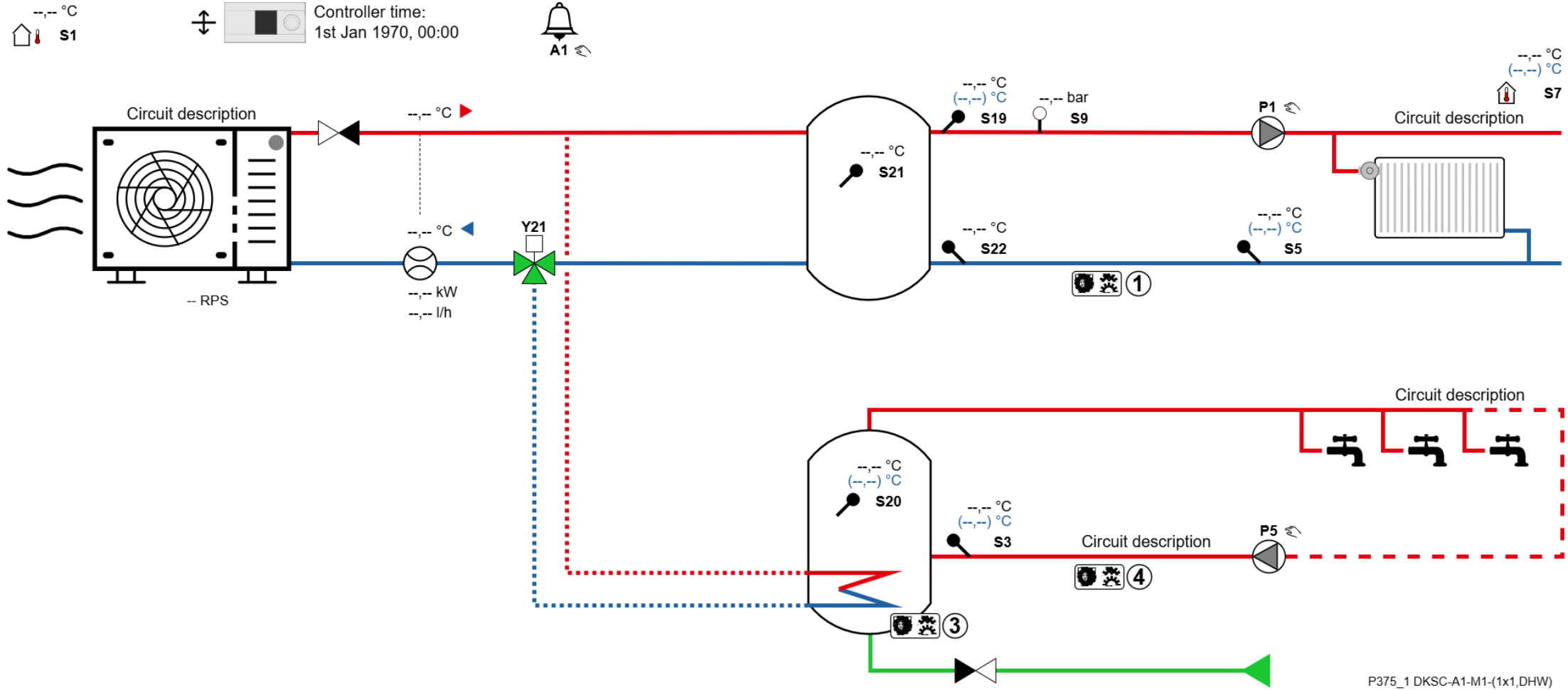
Leanheat® Monitor – P375.1 DKSC-A1-M1-(1x1)

Kan pt. kun anvendes med CTC varmepumper



Leanheat® Monitor – P375.1 DKSC-A1-M1-(1x1,DHW)

Kan pt. kun anvendes med CTC varmepumper

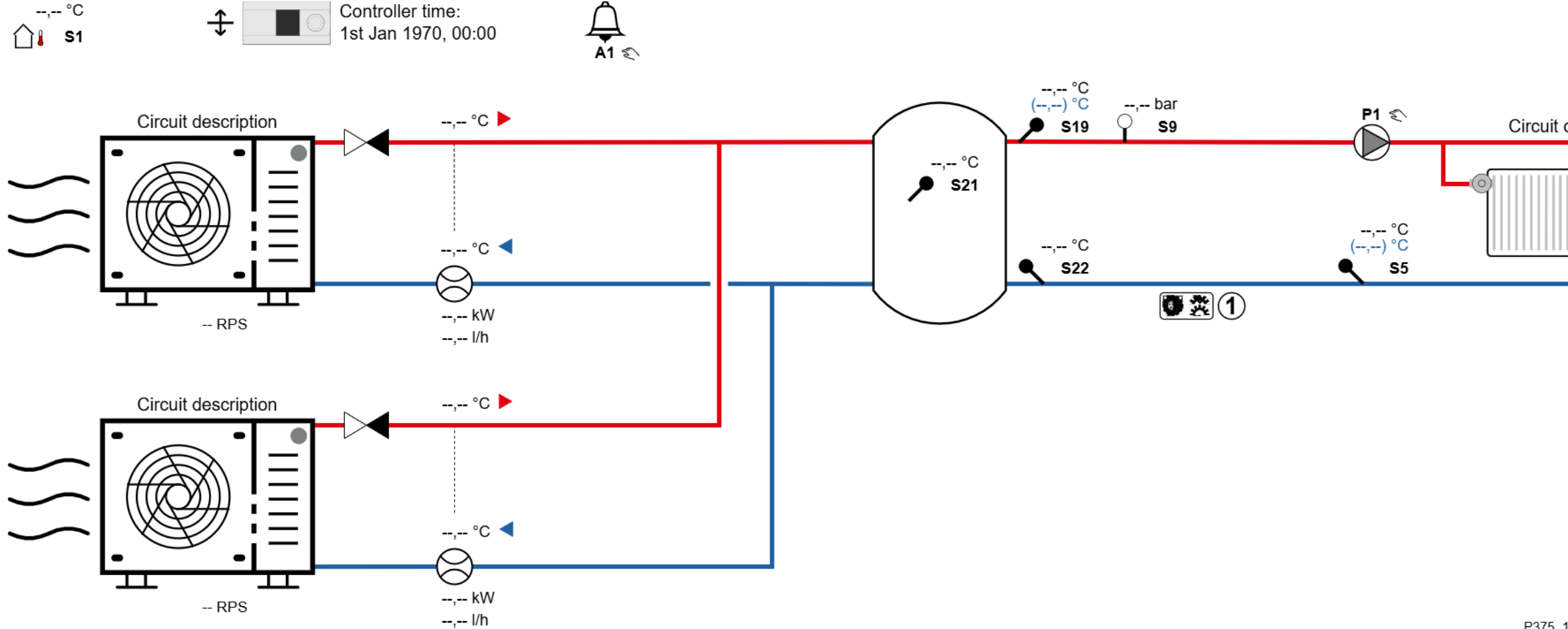


P375_1 DKSC-A1-M1-(1x1,DHW)



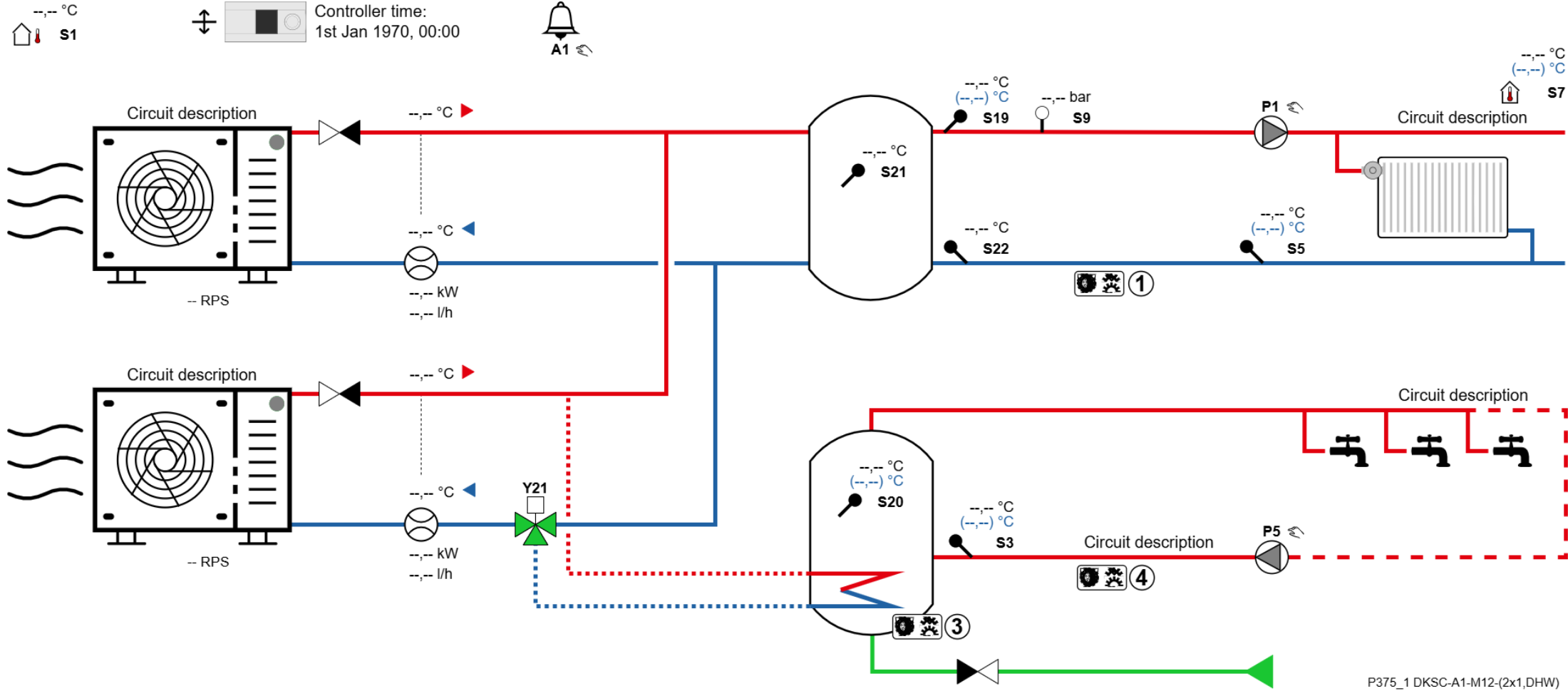
Leanheat® Monitor – P375.1 DKSC-A1-M12-(2x1)

Kan pt. kun anvendes med CTC varmepumper



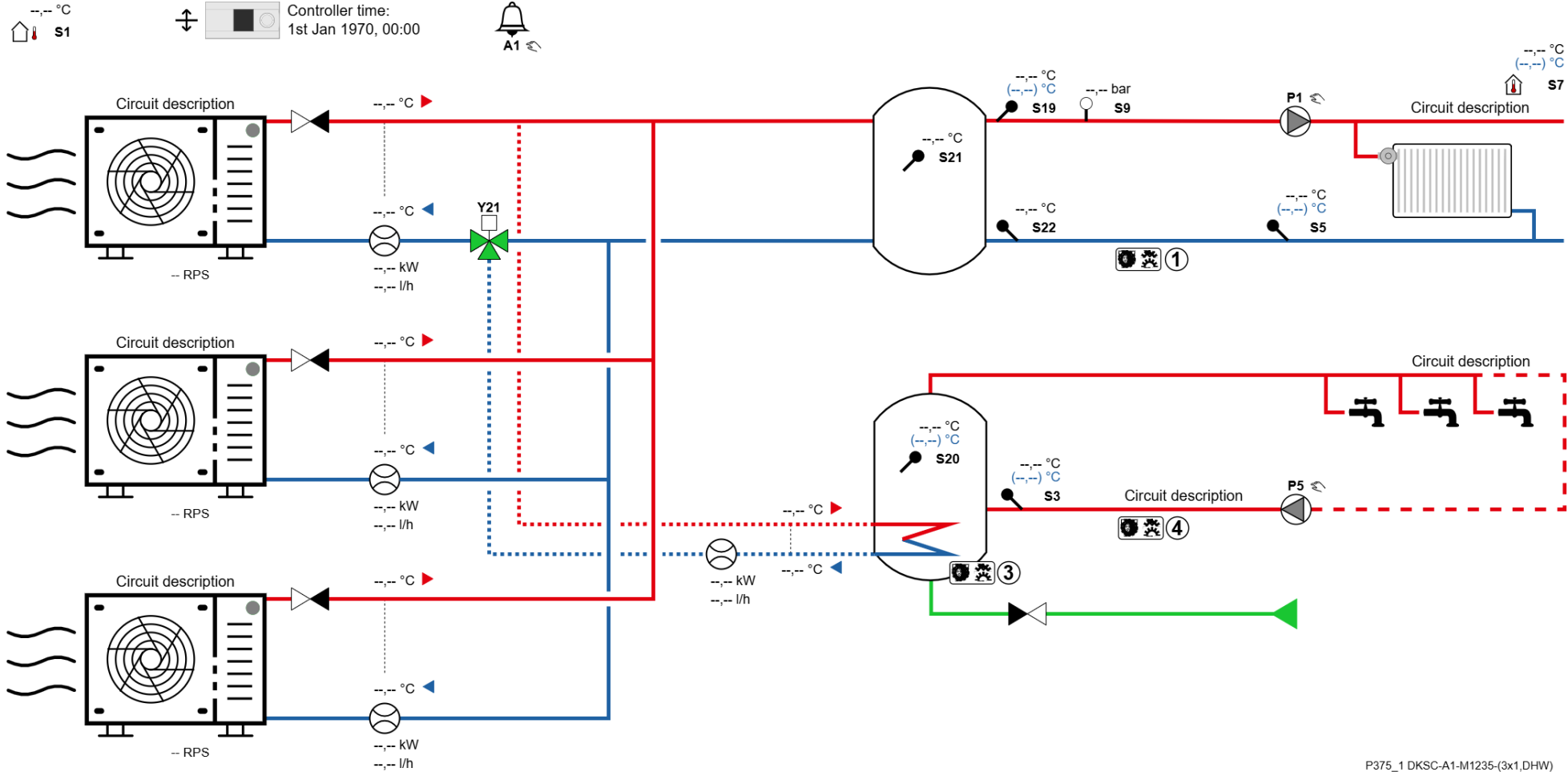
Leanheat® Monitor – P375.1 DKSC-A1-M12-(2x1,DHW)

Kan pt. kun anvendes med CTC varmepumper



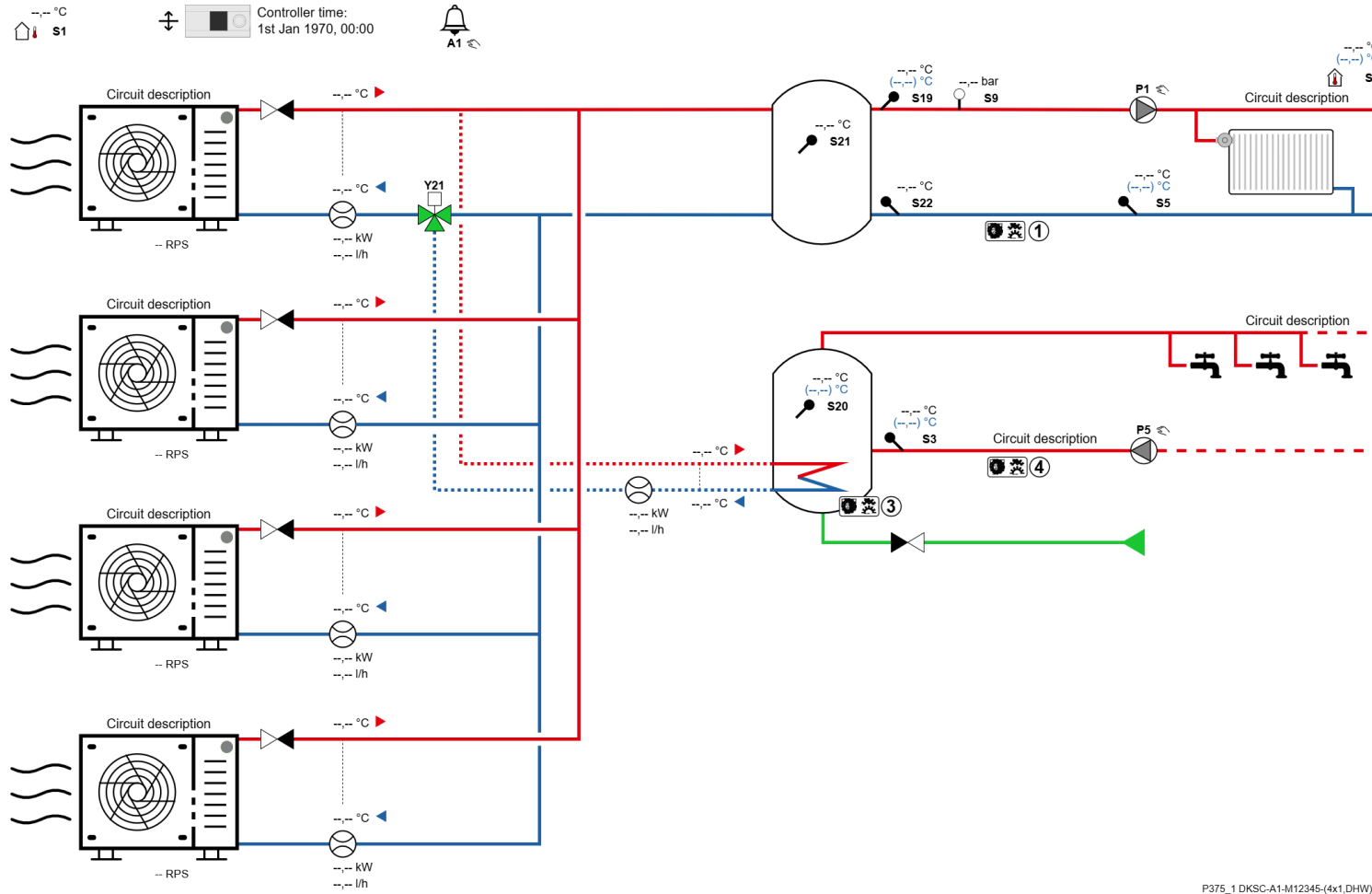
Leanheat® Monitor – P375.1 DKSC-A1-M1235-(3x1,DHW)

Kan pt. kun anvendes med CTC varmepumper



Leanheat® Monitor – P375.1 DKSC-A1-M12345-(4x1,DHW)

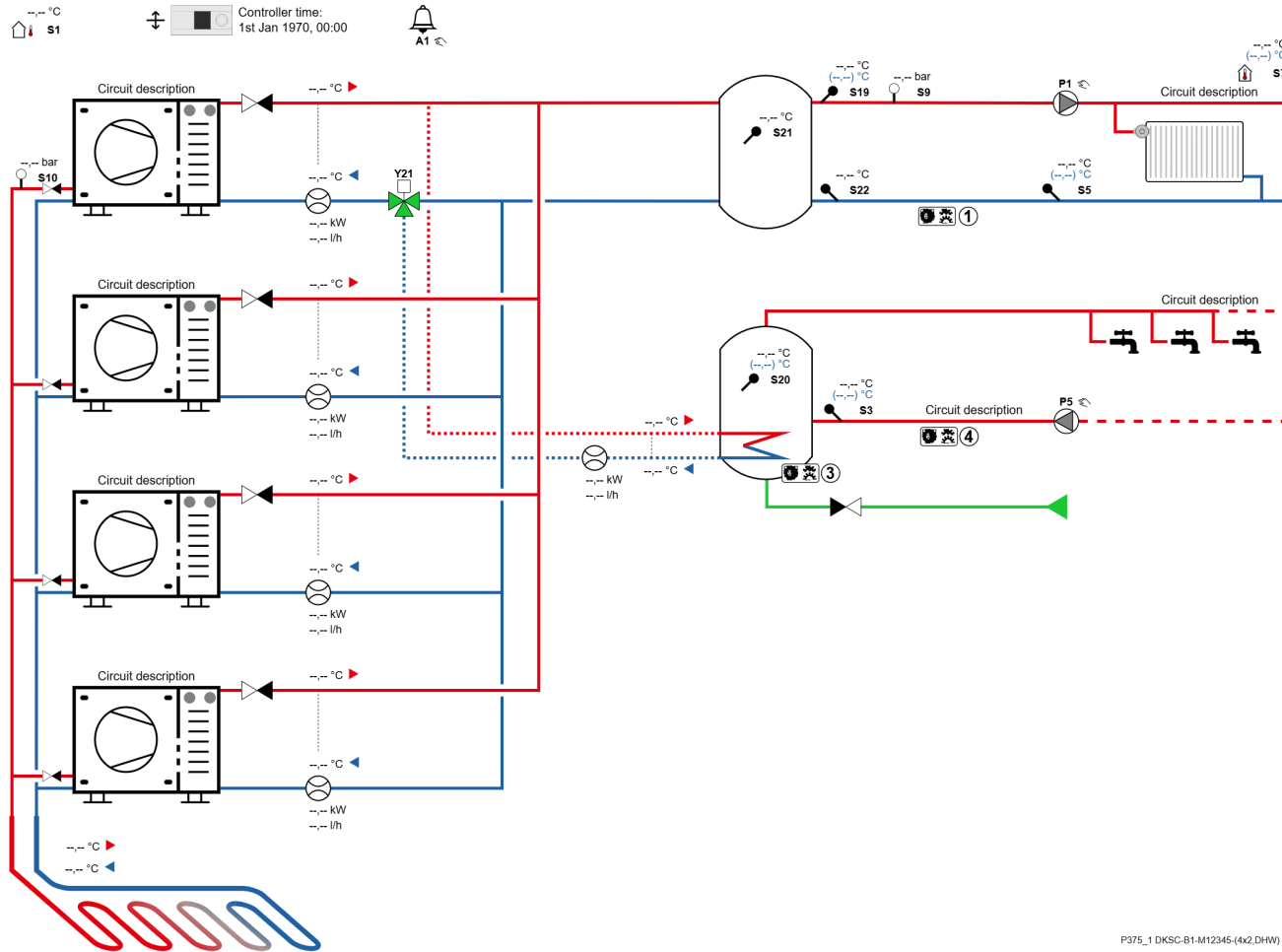
Kan pt. kun anvendes med CTC varmepumper



P375_1_DKSC-A1-M12345-(4x1,DHW)

Leanheat® Monitor – P375.1 DKSC-B1-M12345-(4x2,DHW)

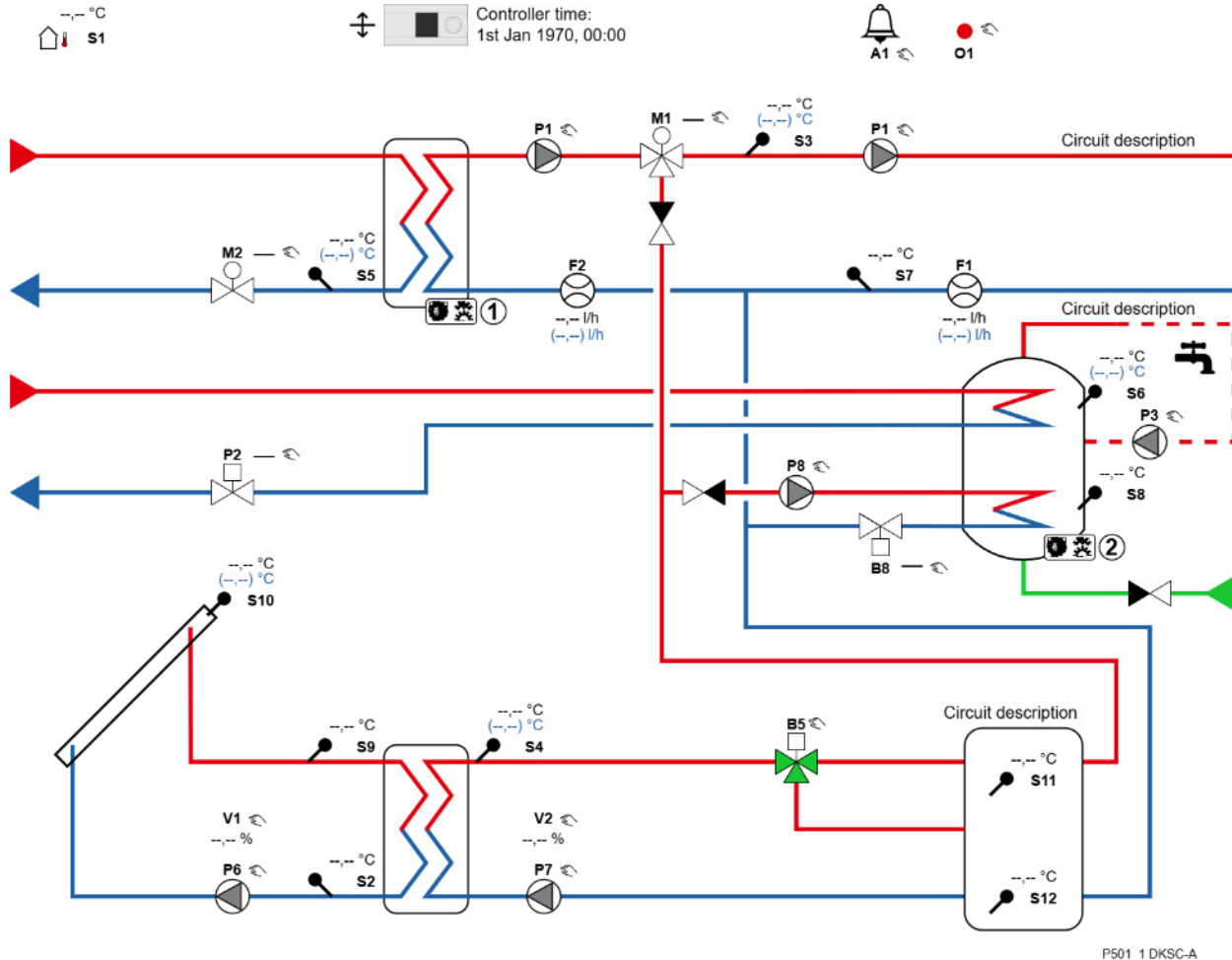
Kan pt. kun anvendes med CTC varmepumper



P501

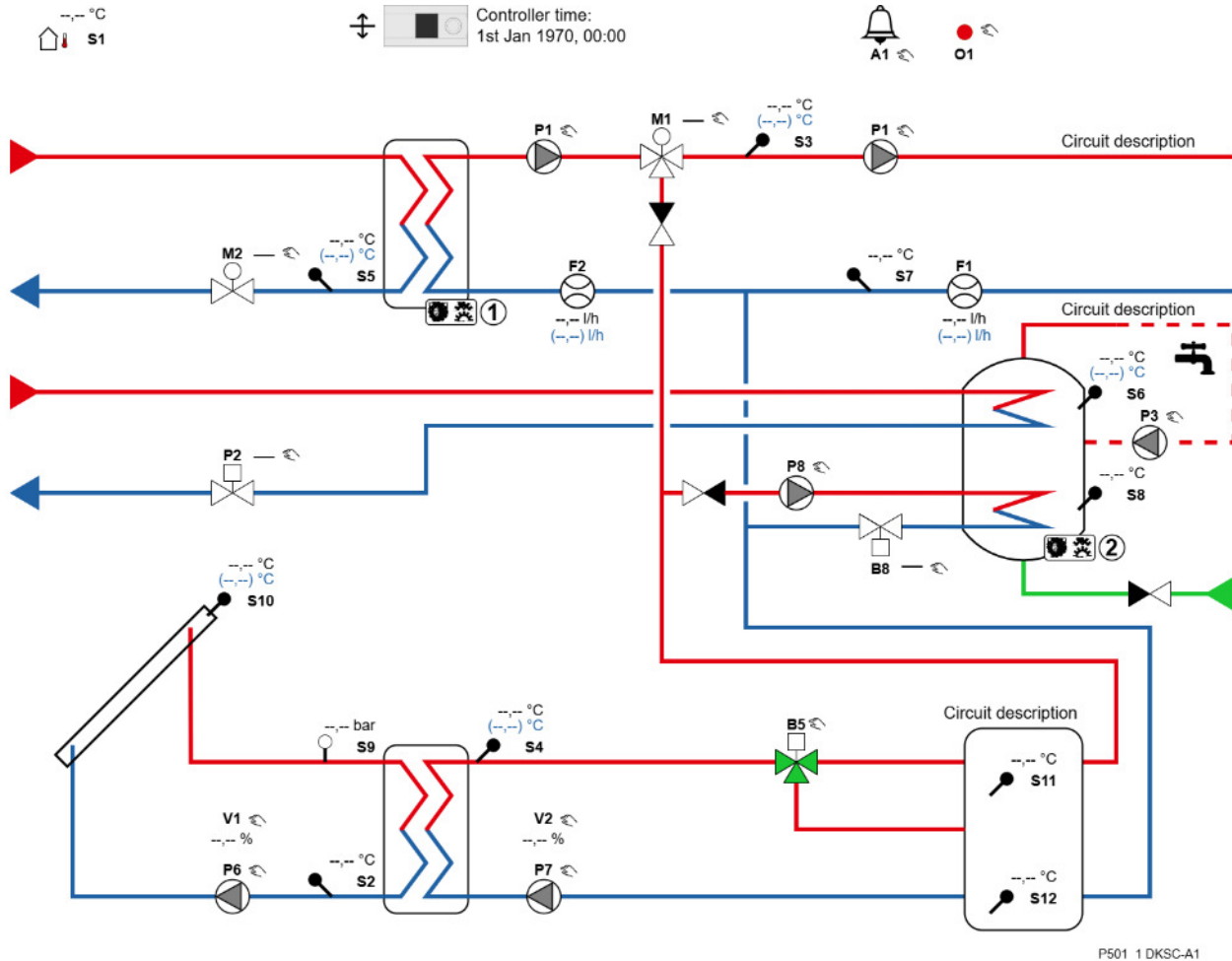


Leanheat® Monitor – P501.1 DKSC-A

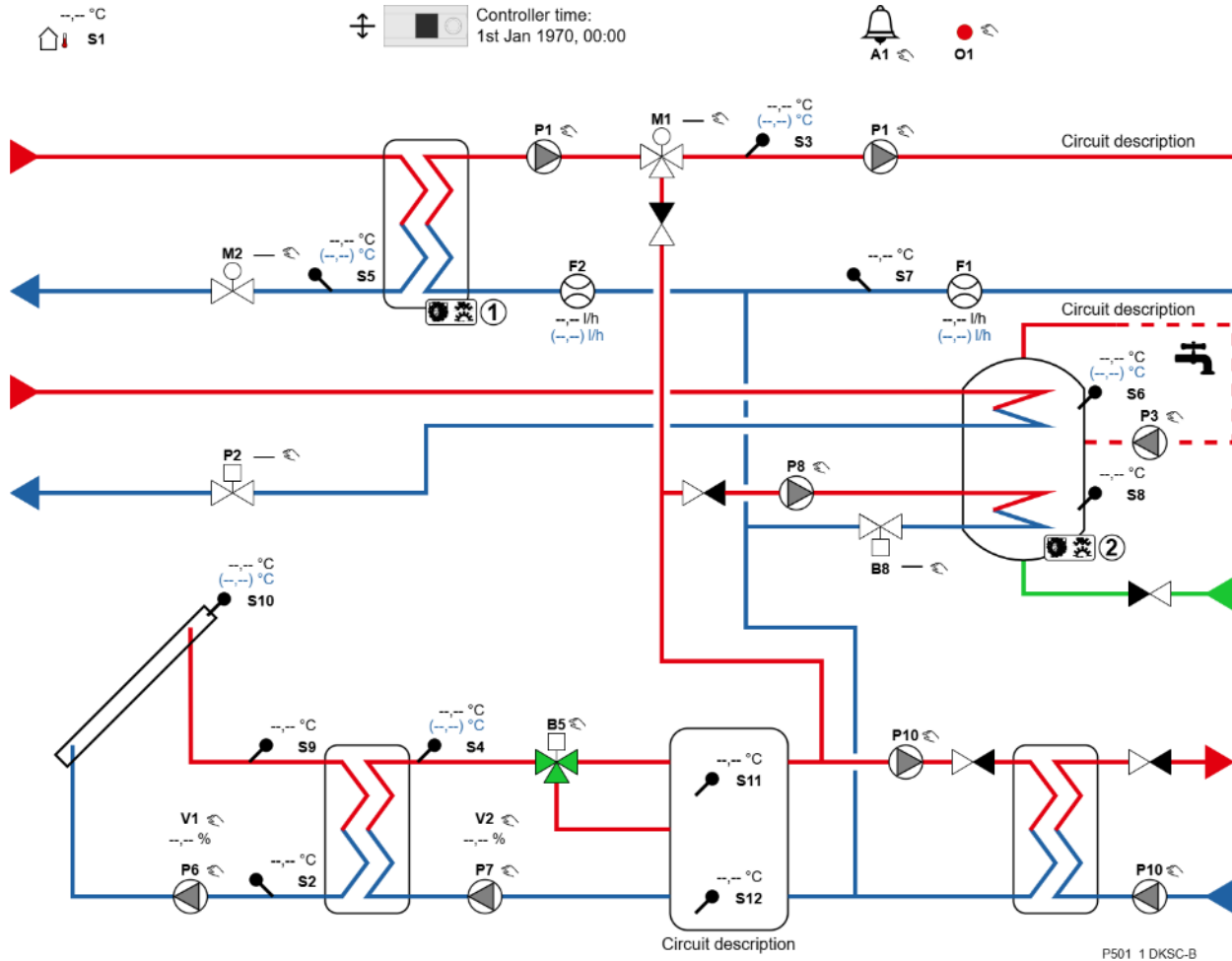


P501.1 DKSC-A

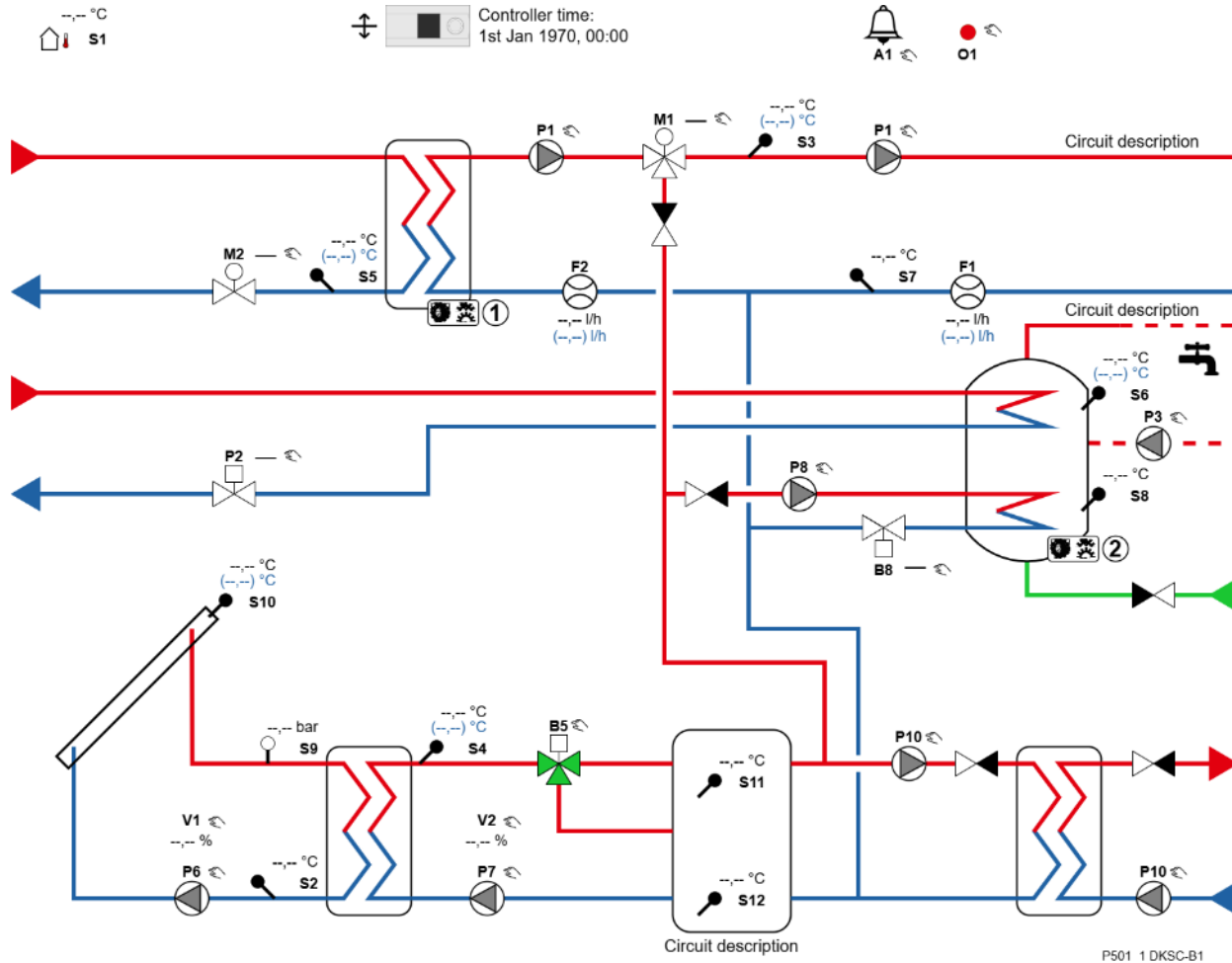
Leanheat® Monitor – P501.1 DKSC-A1



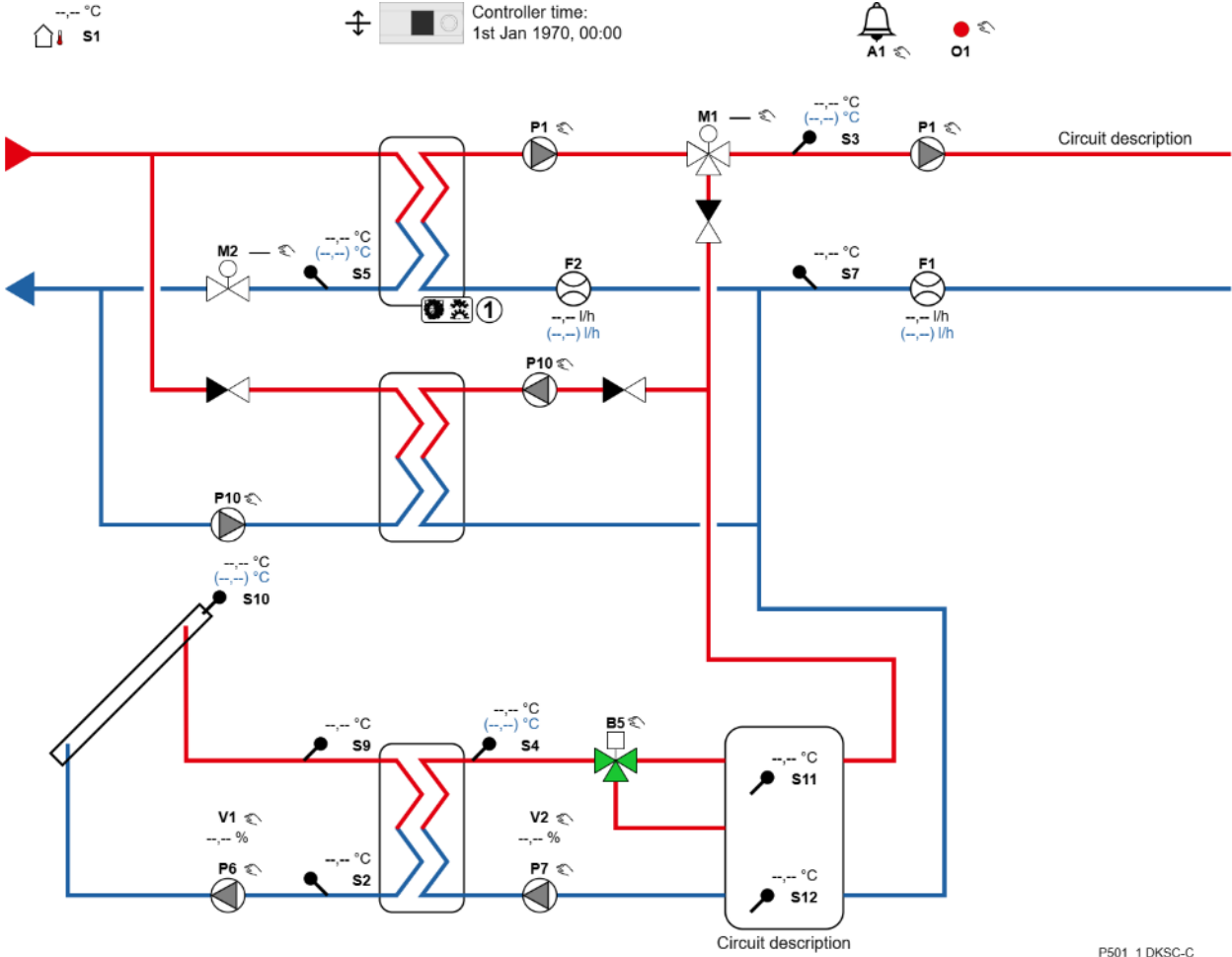
Leanheat® Monitor – P501.1 DKSC-B



Leanheat® Monitor – P501.1 DKSC-B1

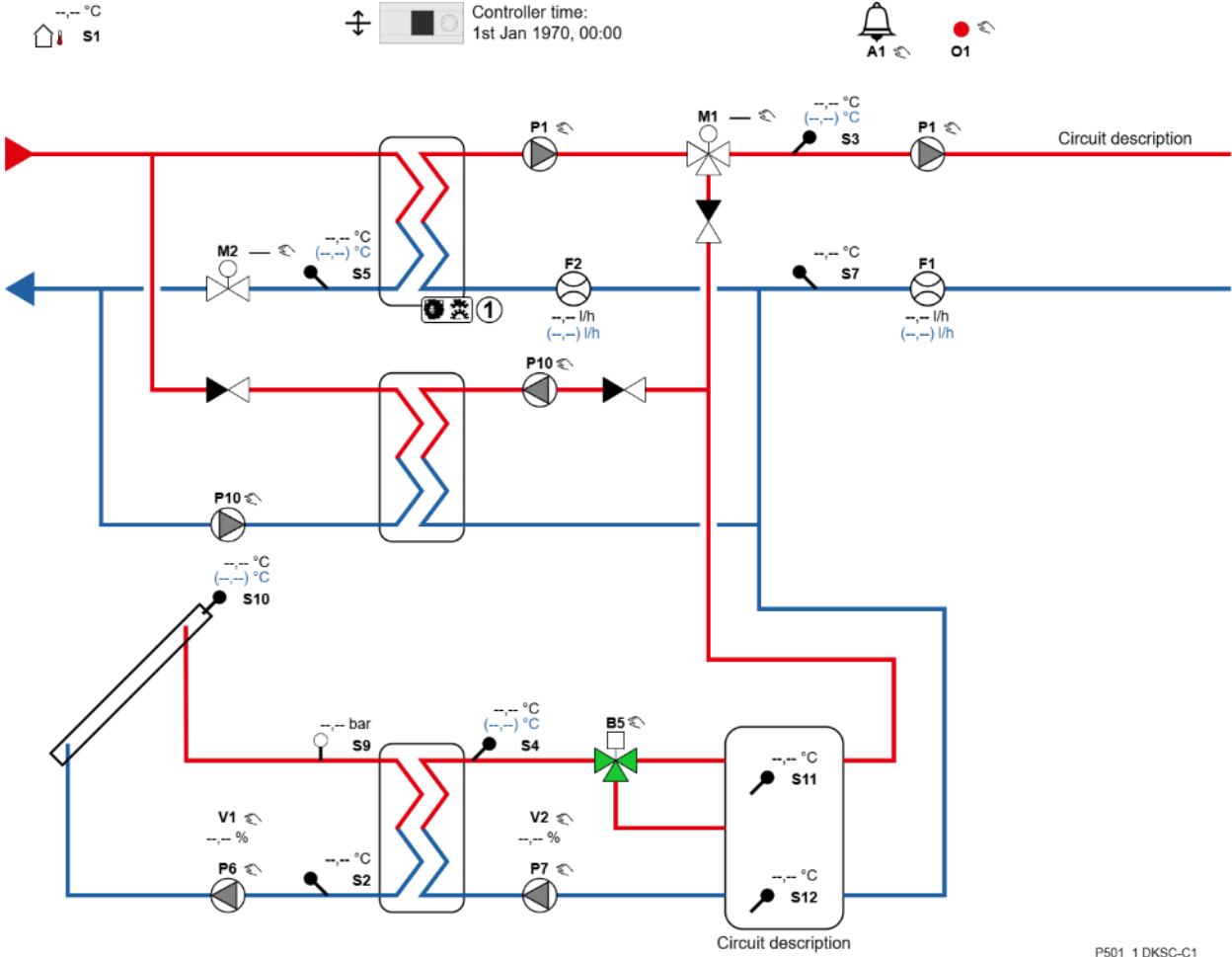


Leanheat® Monitor – P501.1 DKSC-C



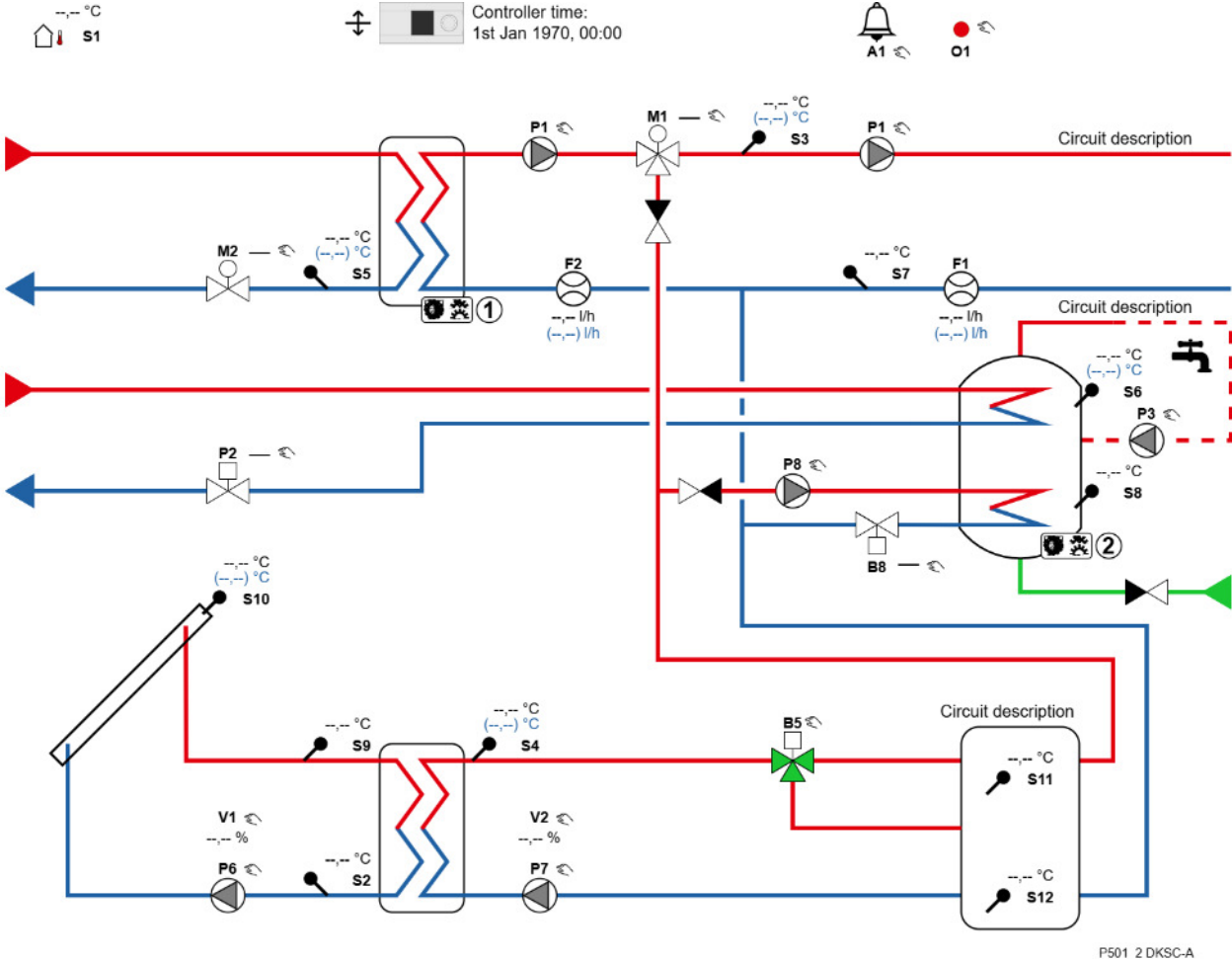
P501 1 DKSC-C

Leanheat® Monitor – P501.1 DKSC-C1

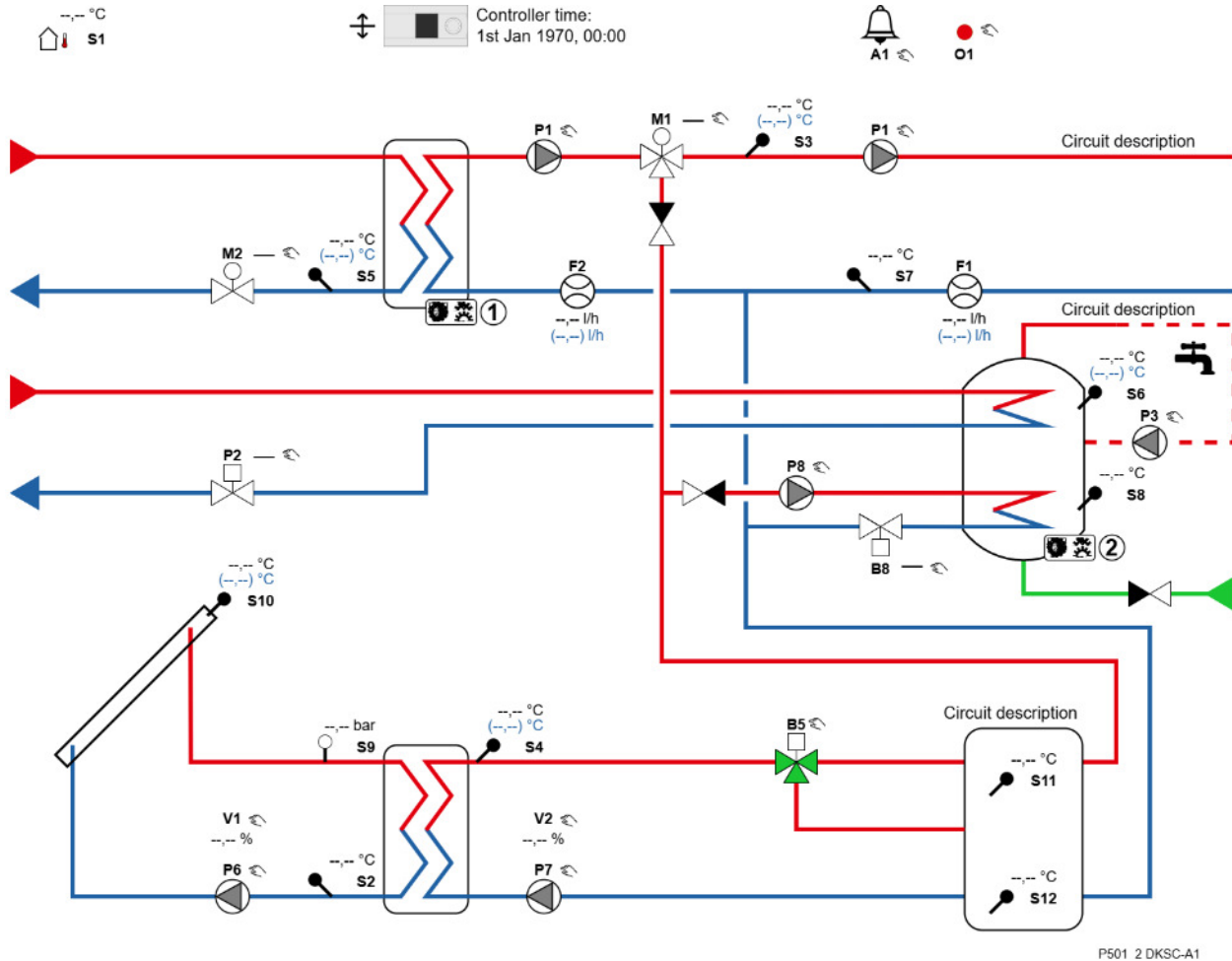


P501 1 DKSC-C1

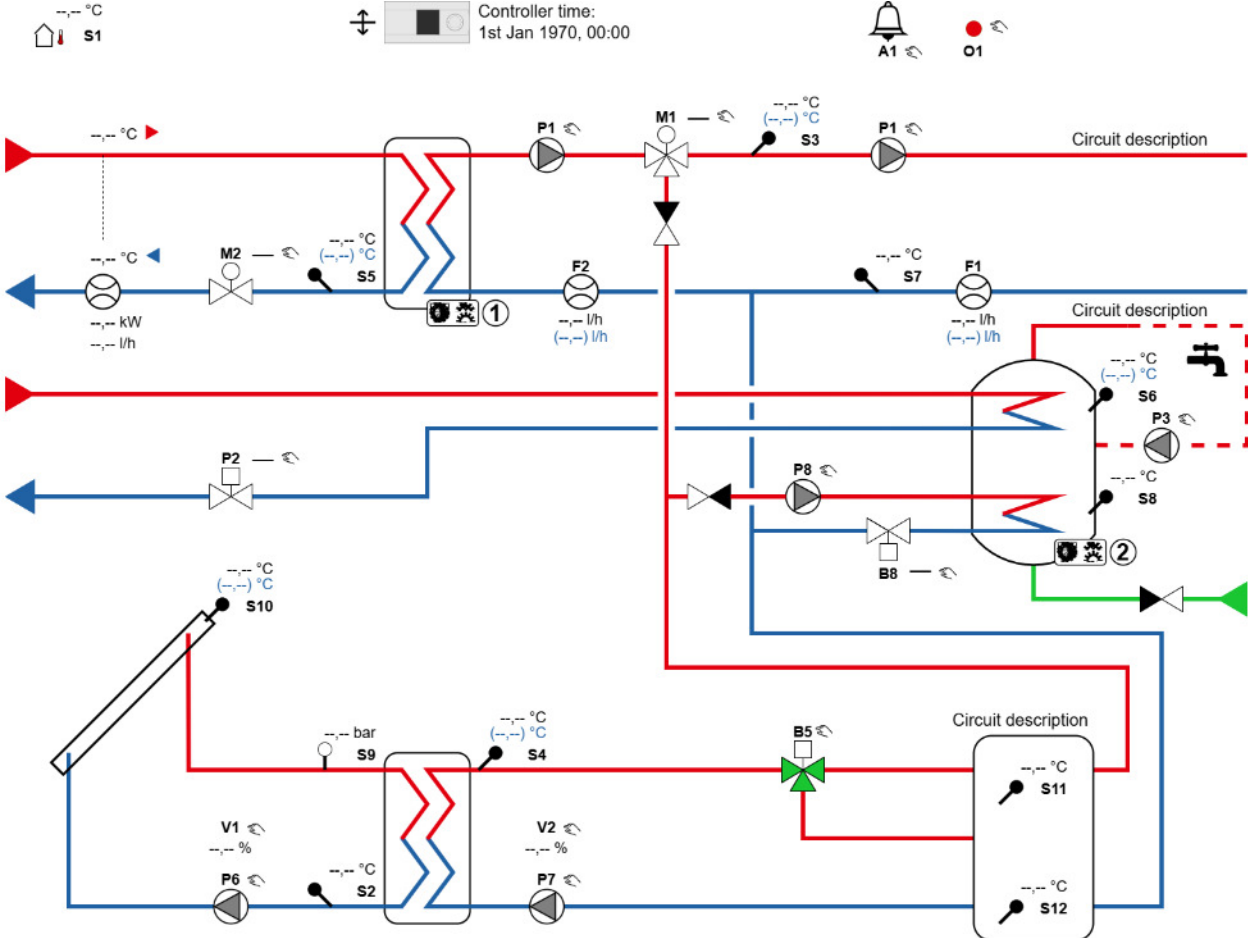
Leanheat® Monitor – P501.2 DKSC-A



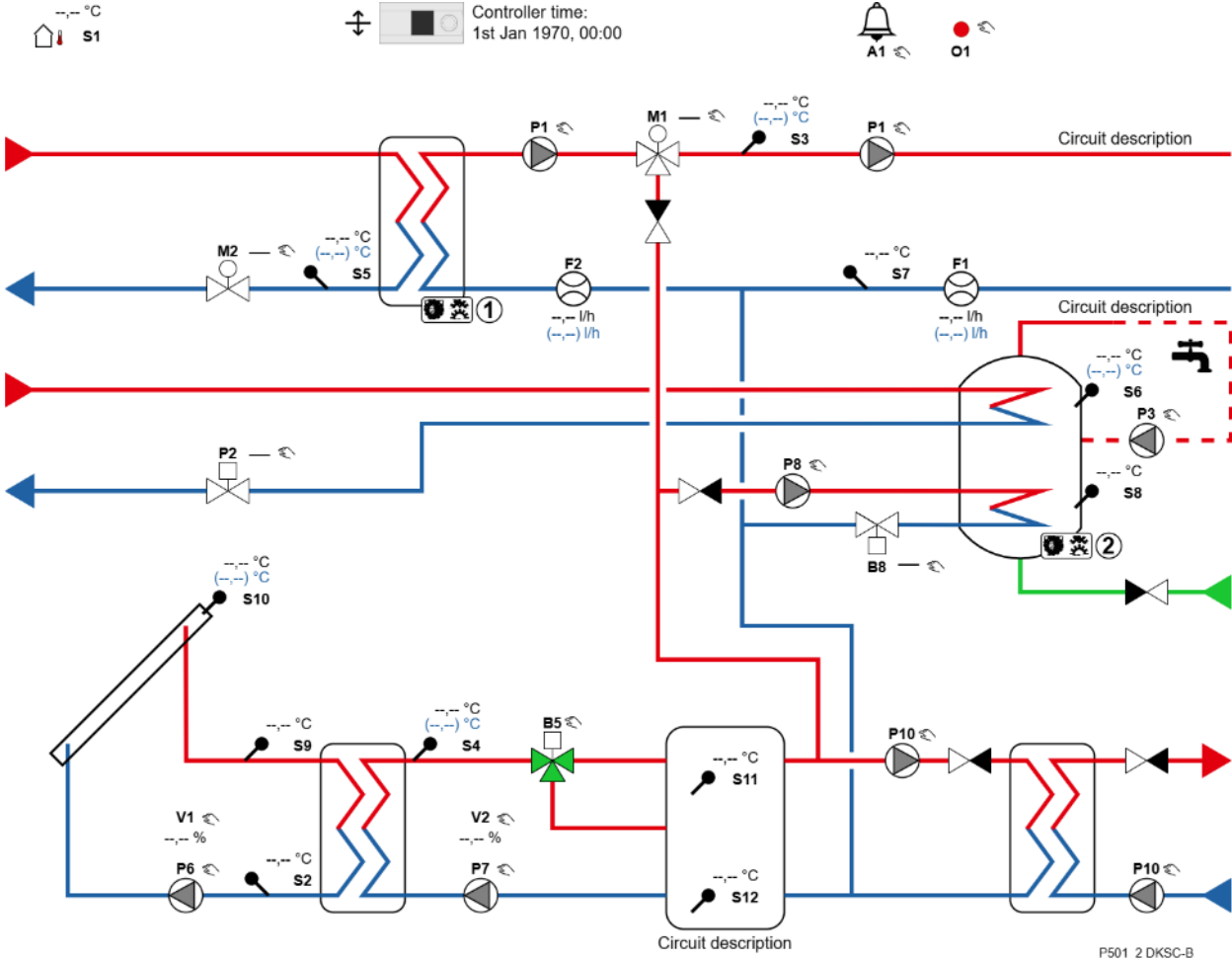
Leanheat® Monitor – P501.2 DKSC-A1



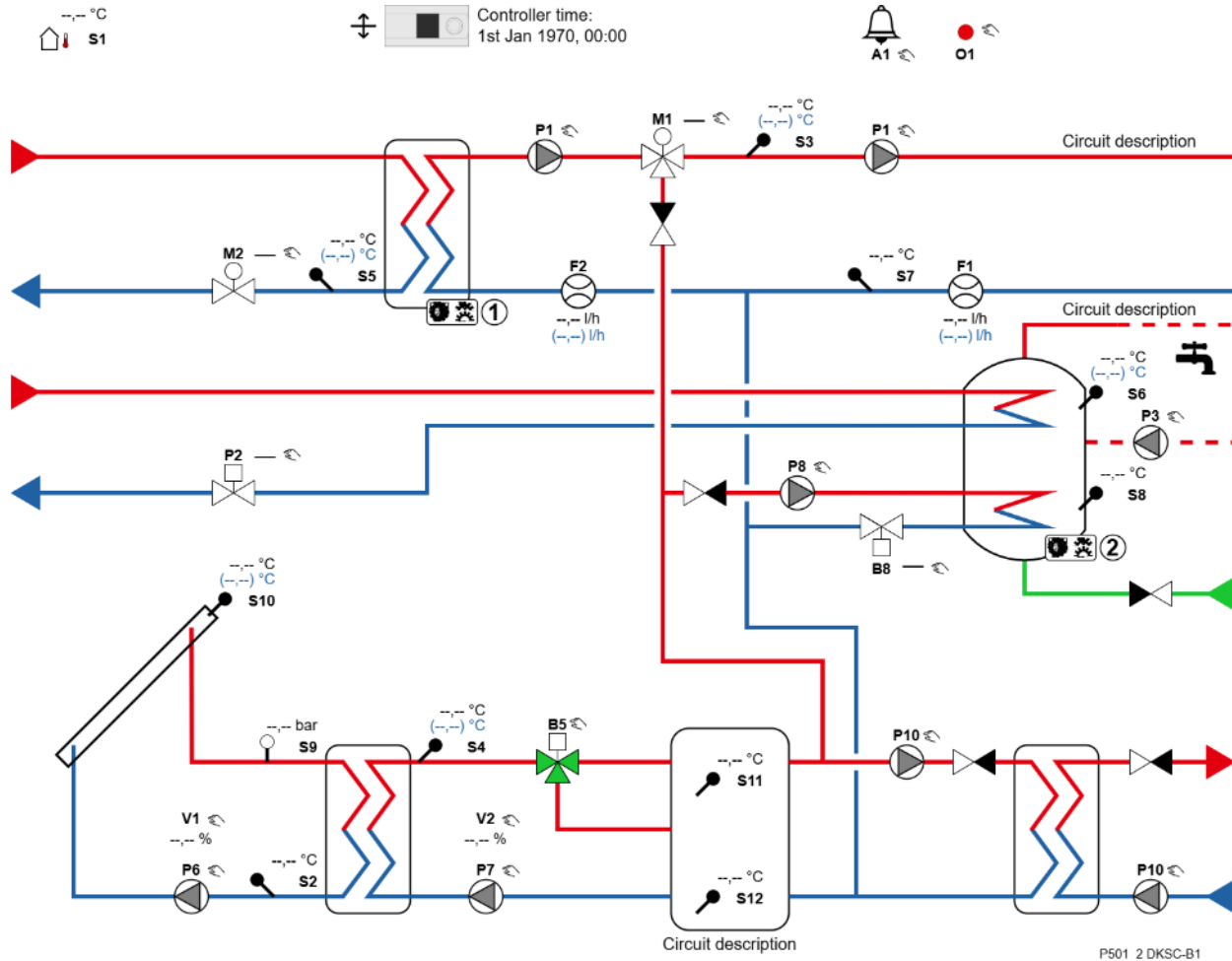
Leanheat® Monitor – P501.2 DKSC-A1-M5



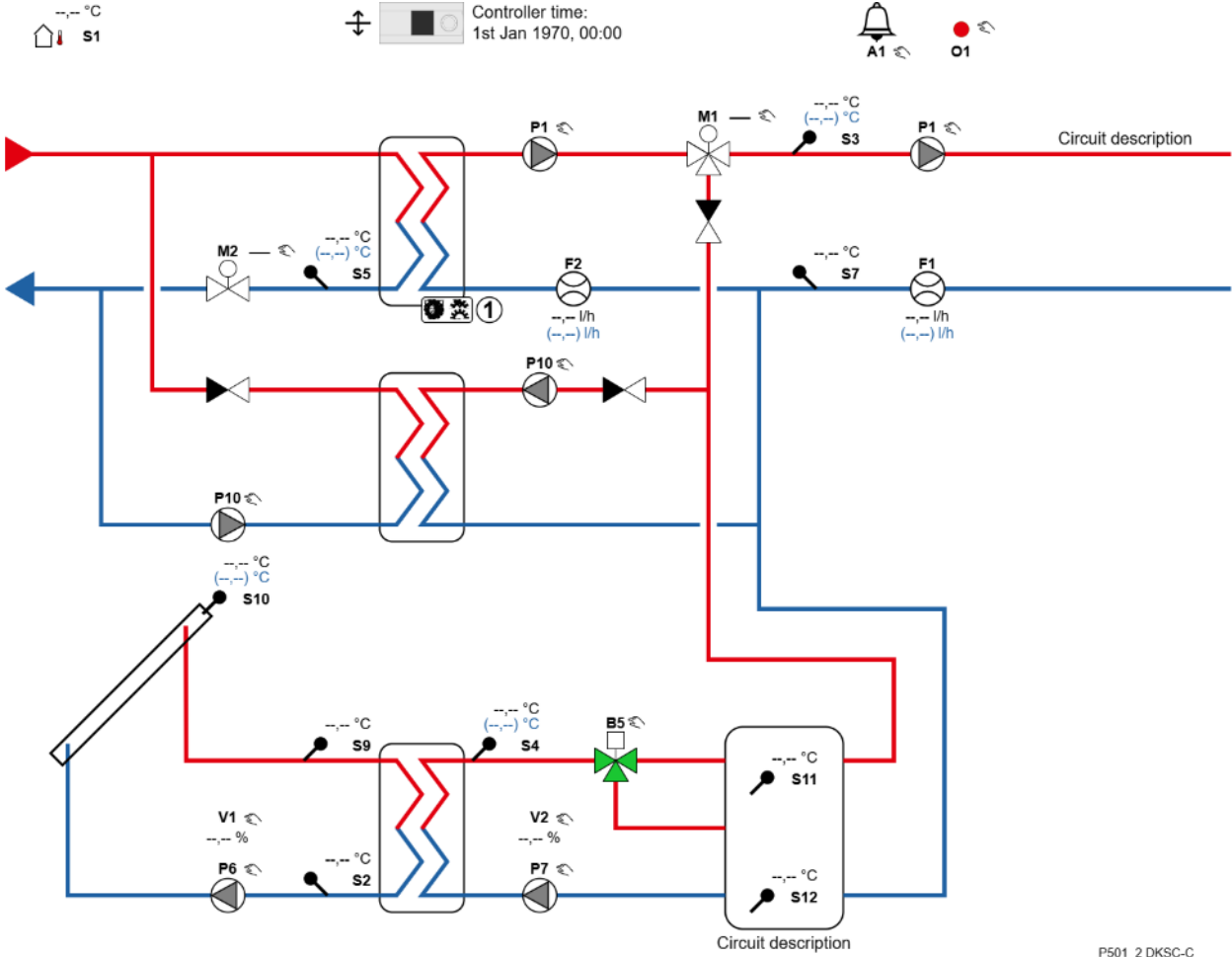
Leanheat® Monitor – P501.2 DKSC-B



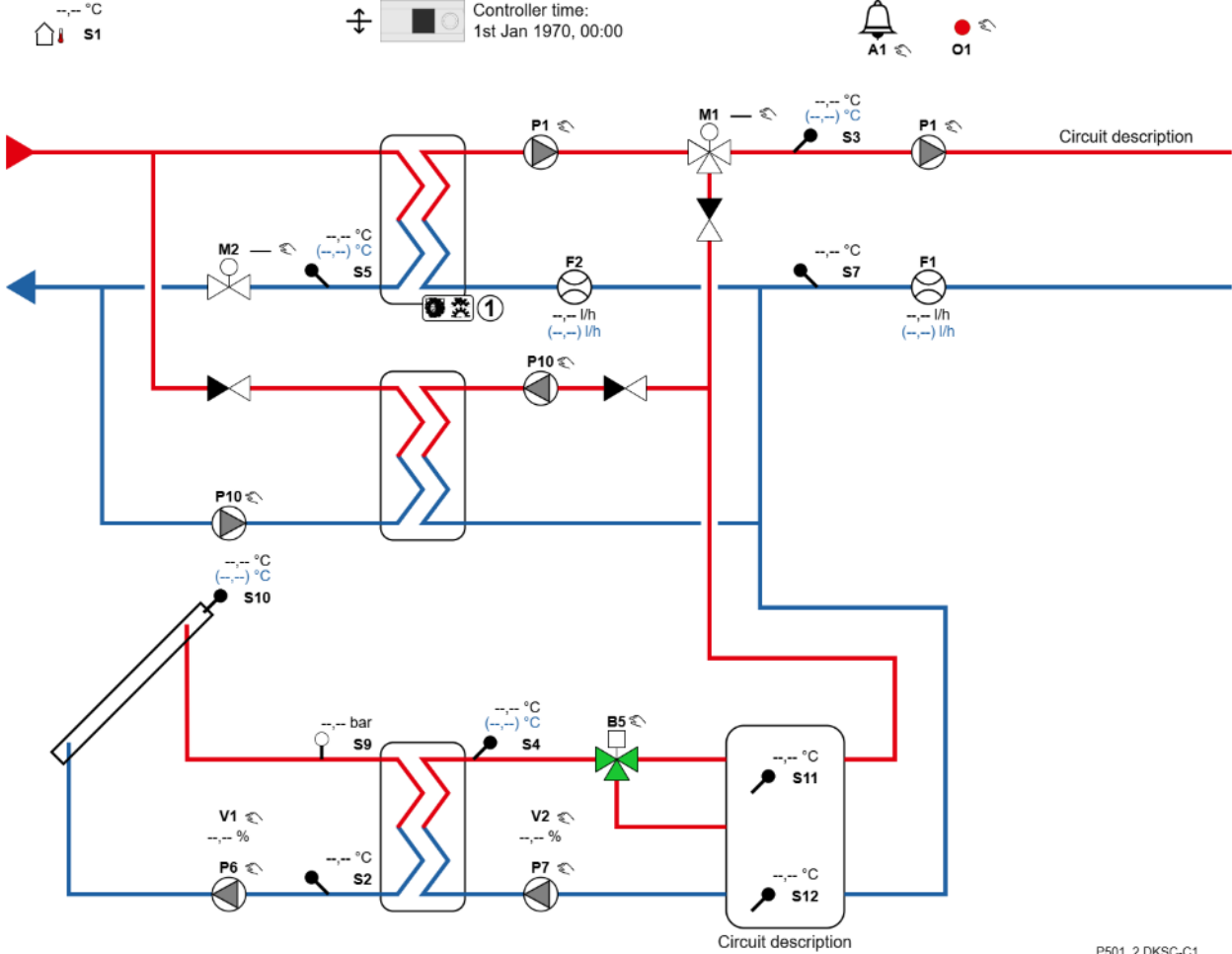
Leanheat® Monitor – P501.2 DKSC-B1



Leanheat® Monitor – P501.2 DKSC-C

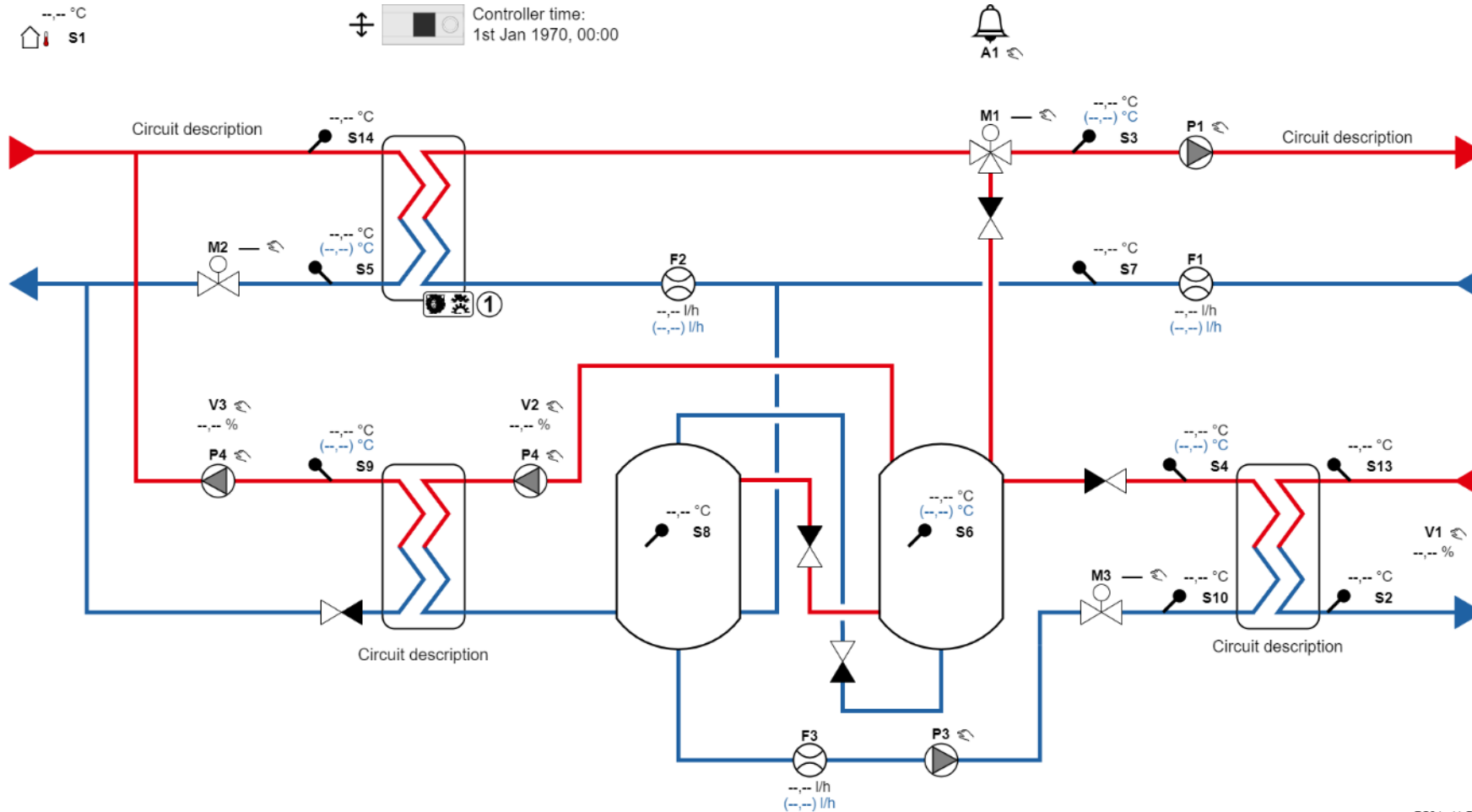


Leanheat® Monitor – P501.2 DKSC-C1



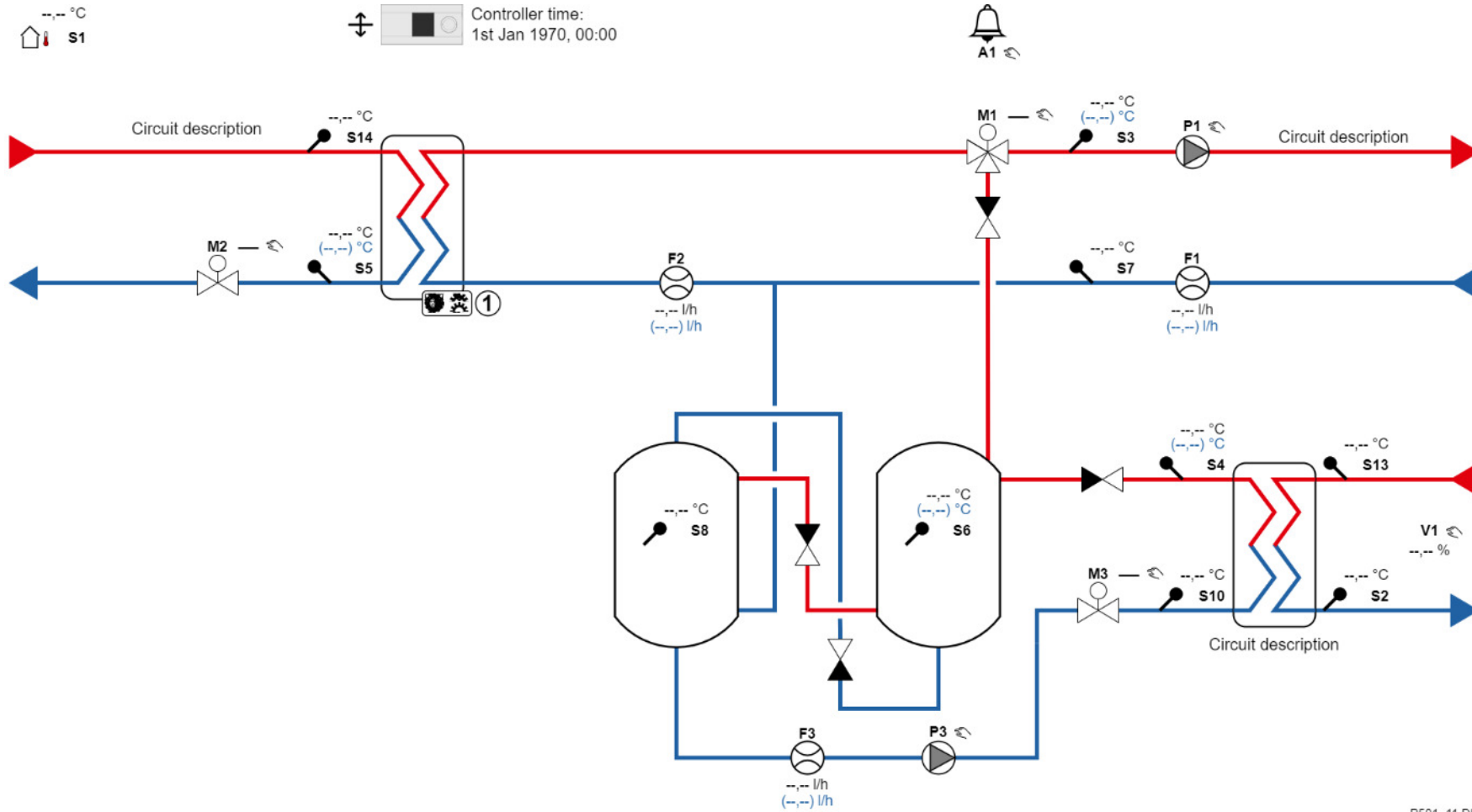
P501 2 DKSC-C1

Leanheat® Monitor – P501.11 DKSC-A1



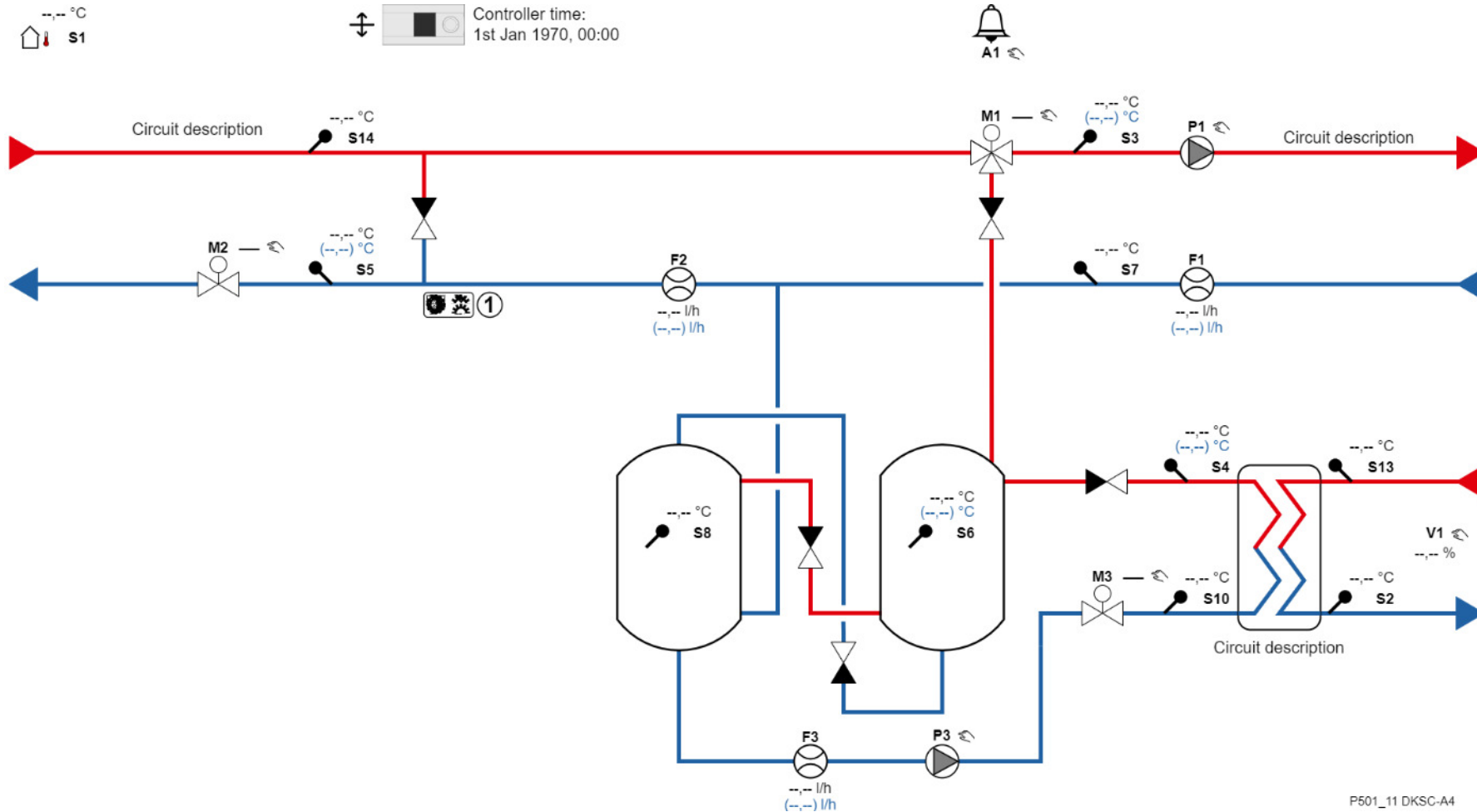
P501 11 DKSC-A1

Leanheat® Monitor – P501.11 DKSC-A2



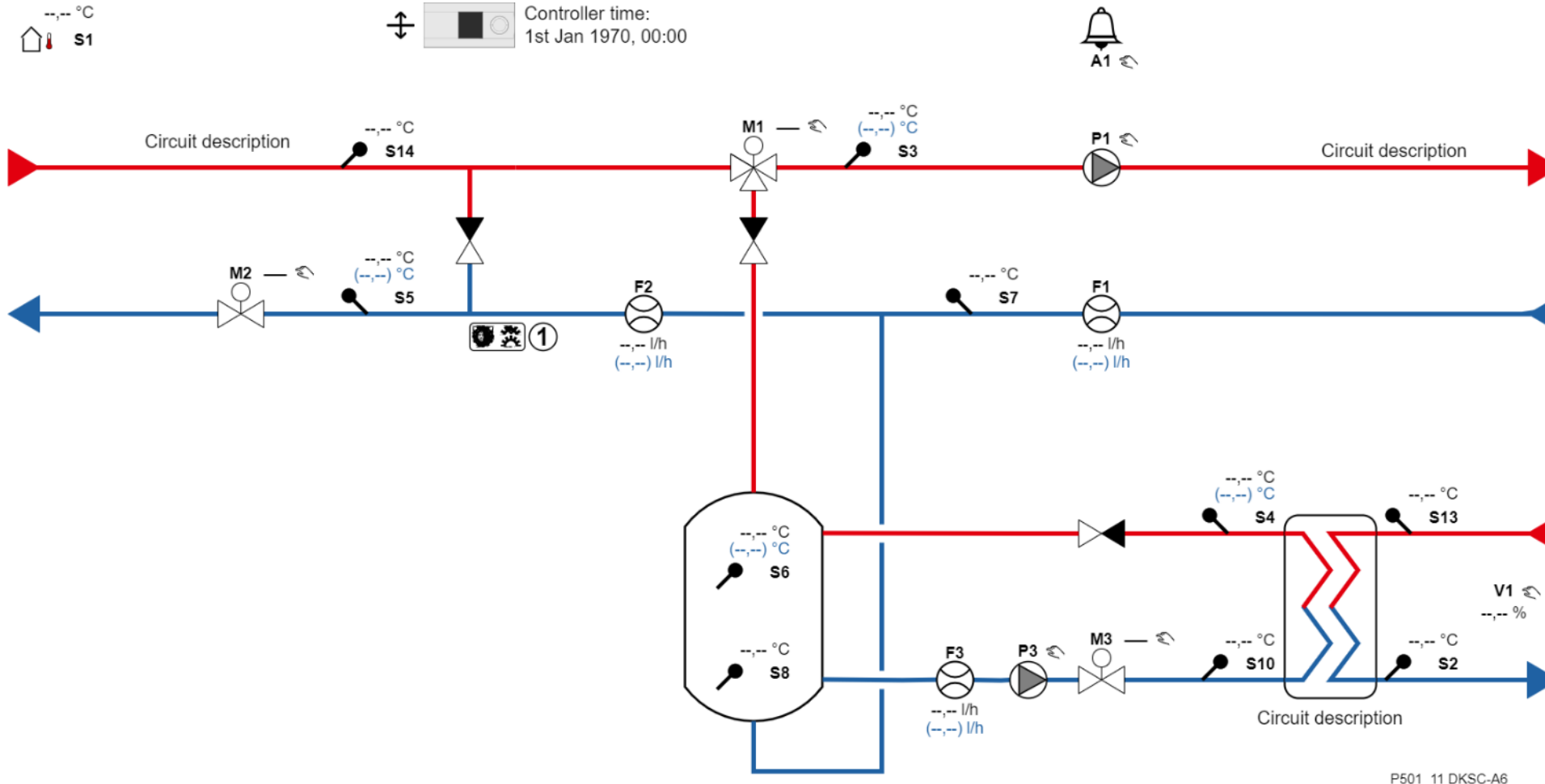
P501 11 DKSC-A2

Leanheat® Monitor – P501.11 DKSC-A4



P501_11 DKSC-A4

Leanheat® Monitor – P501.11 DKSC-A6



P501 11 DKSC-A6

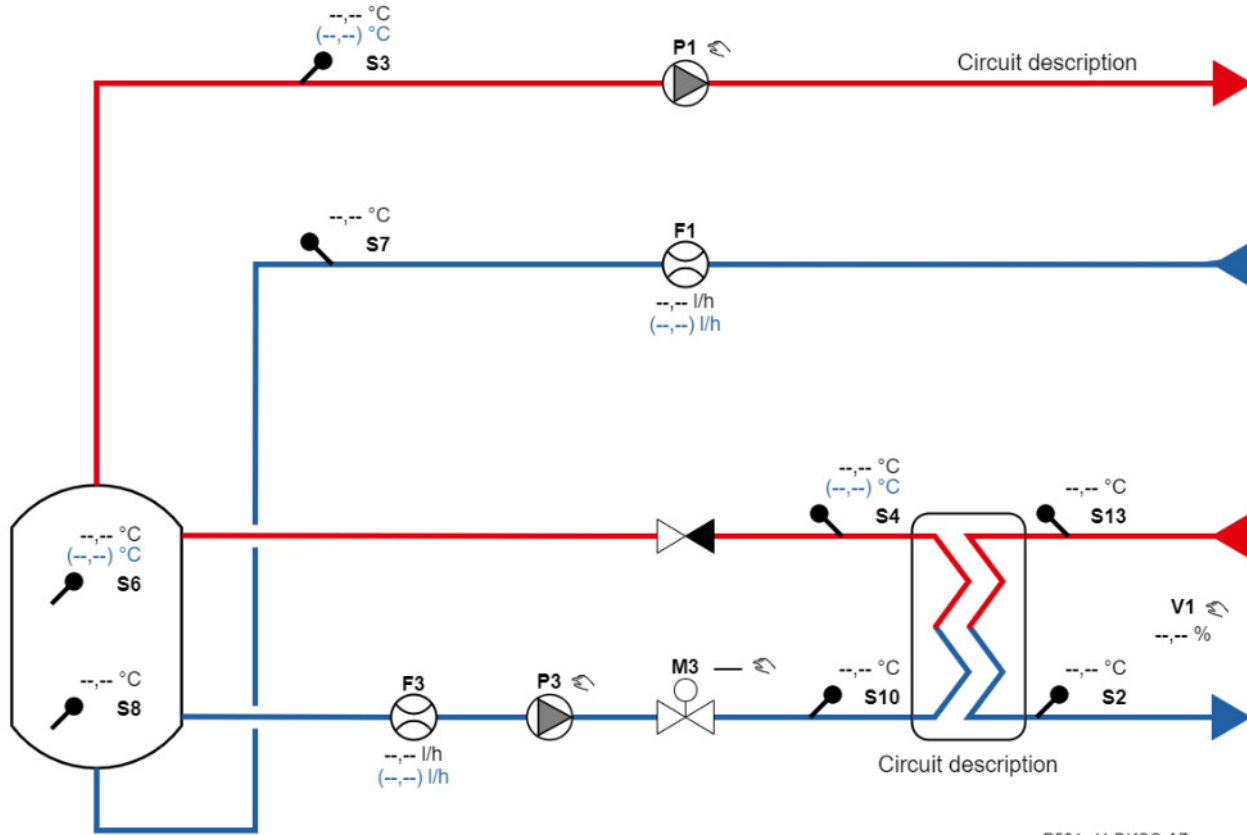
Leanheat® Monitor – P501.11 DKSC-A7



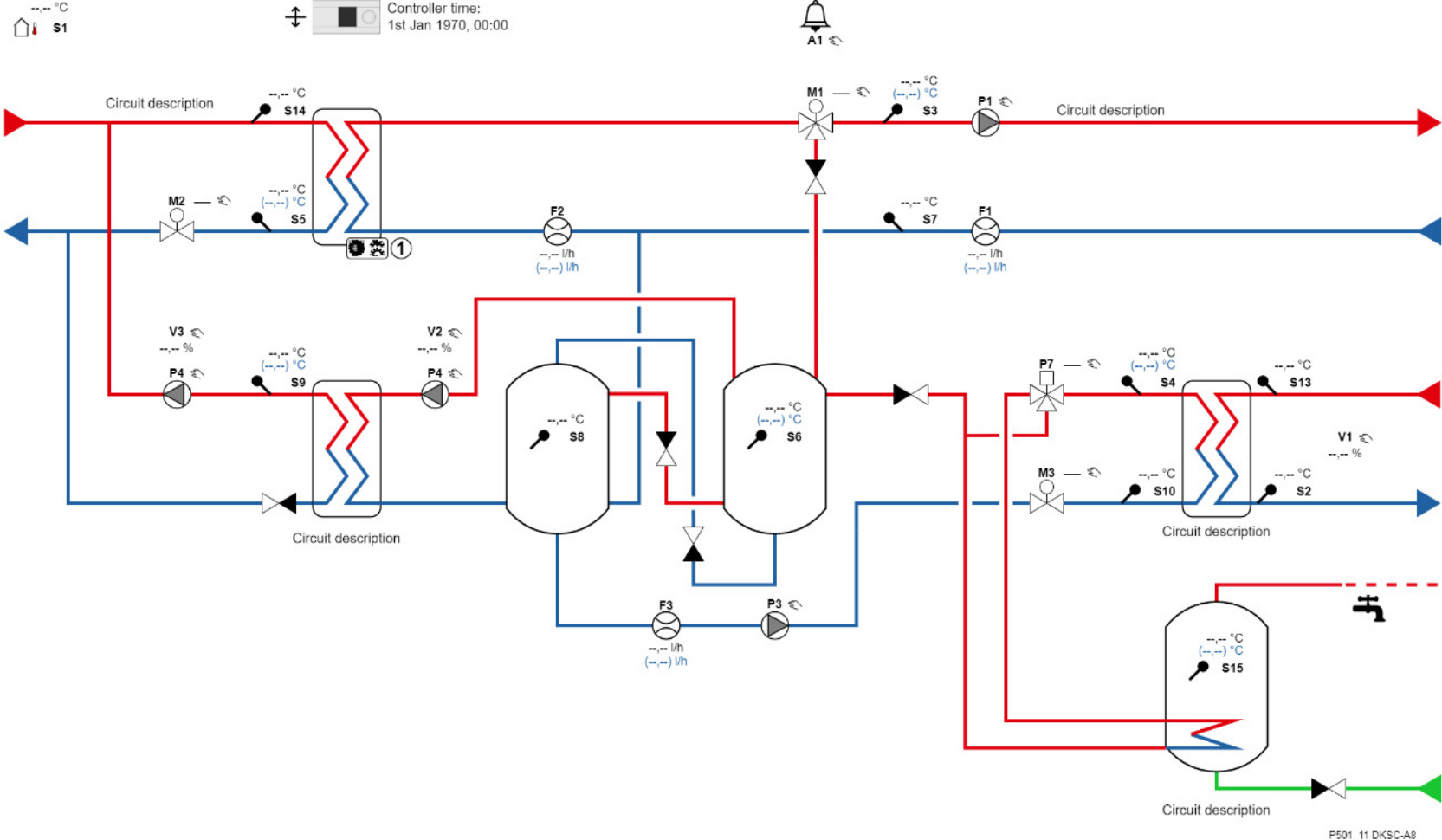
°C
S1

Controller time:
1st Jan 1970, 00:00

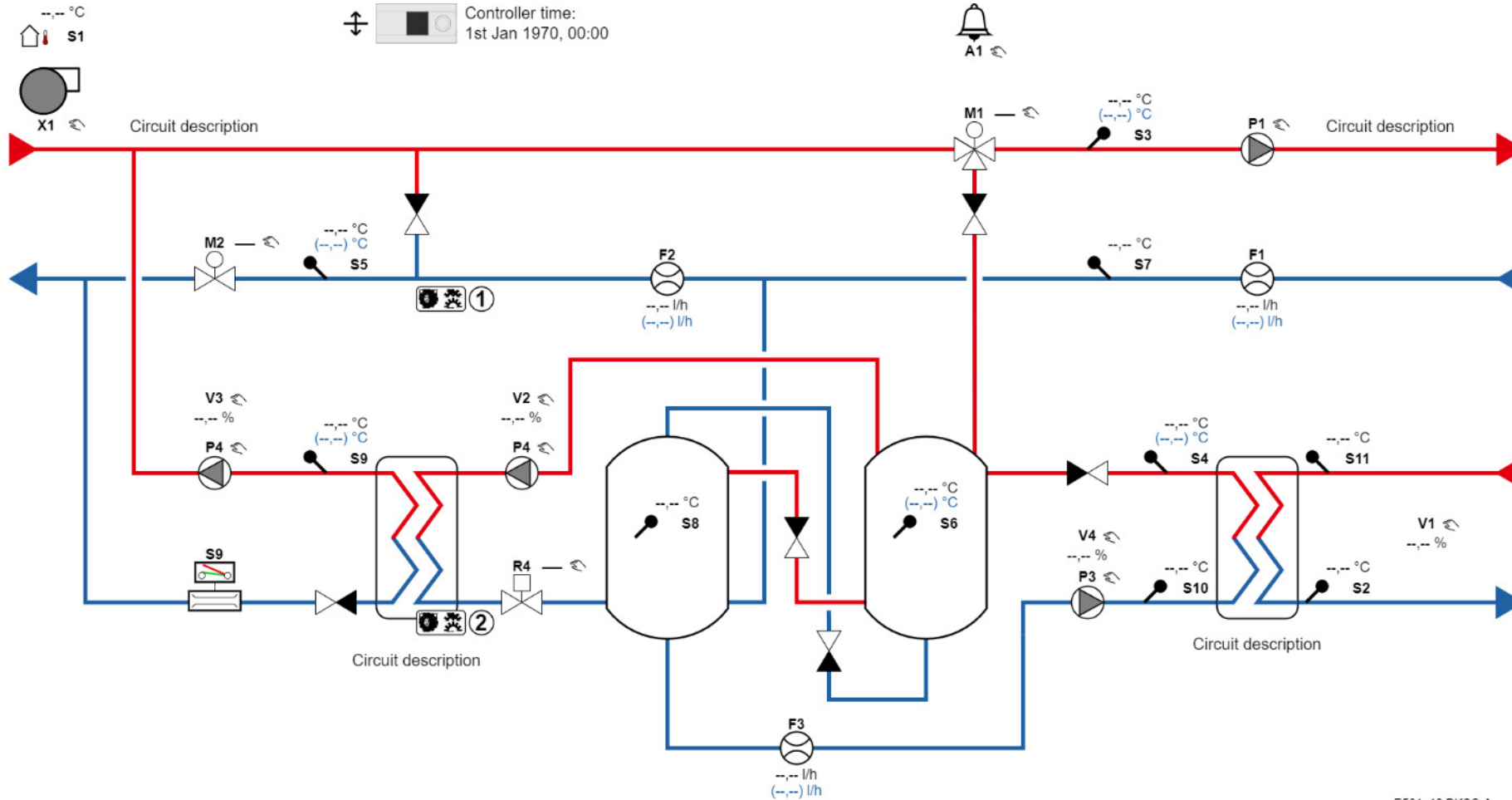
A1



Leanheat® Monitor – P501.11 DKSC-A8

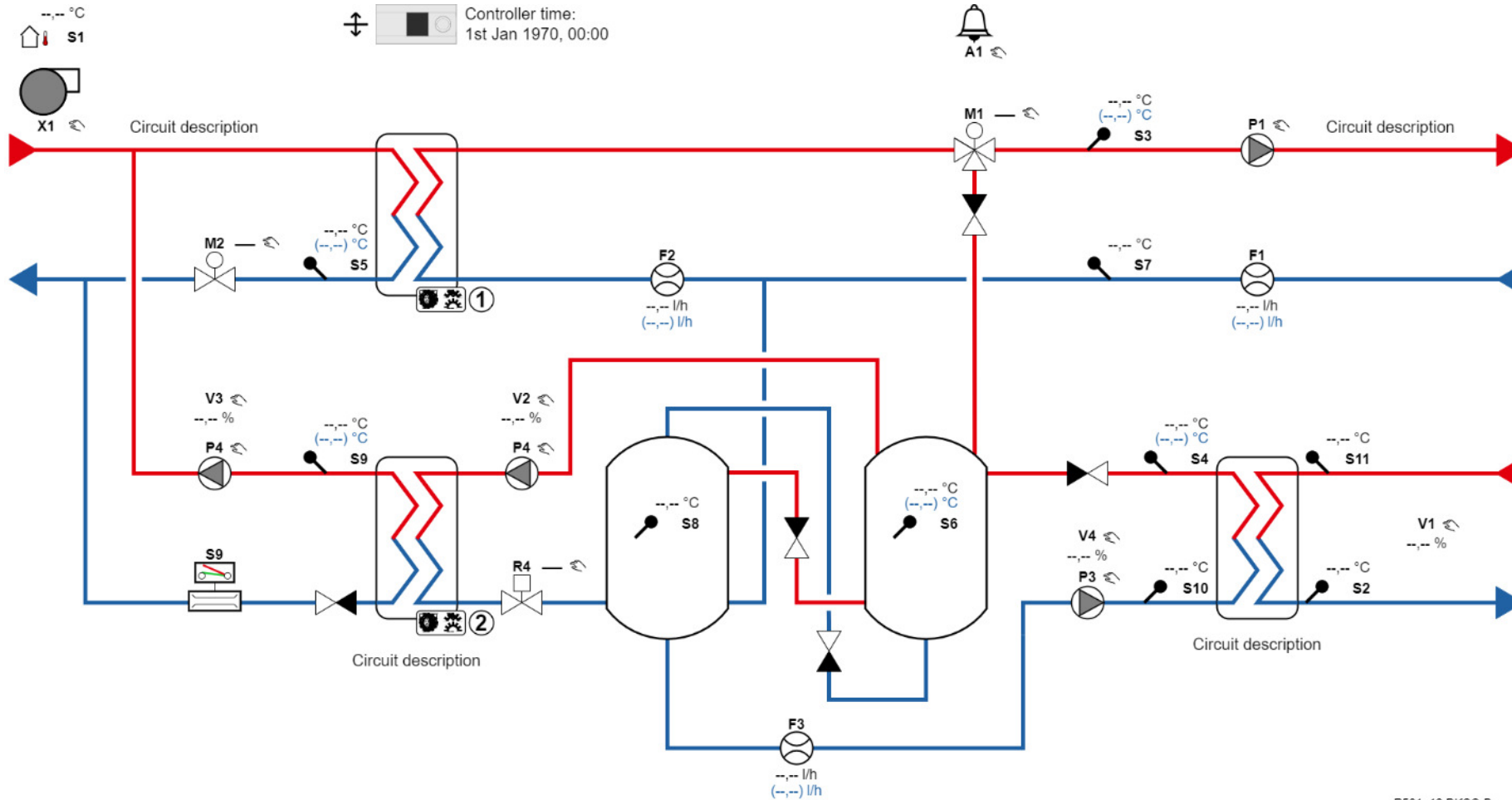


Leanheat® Monitor – P501.12 DKSC-A



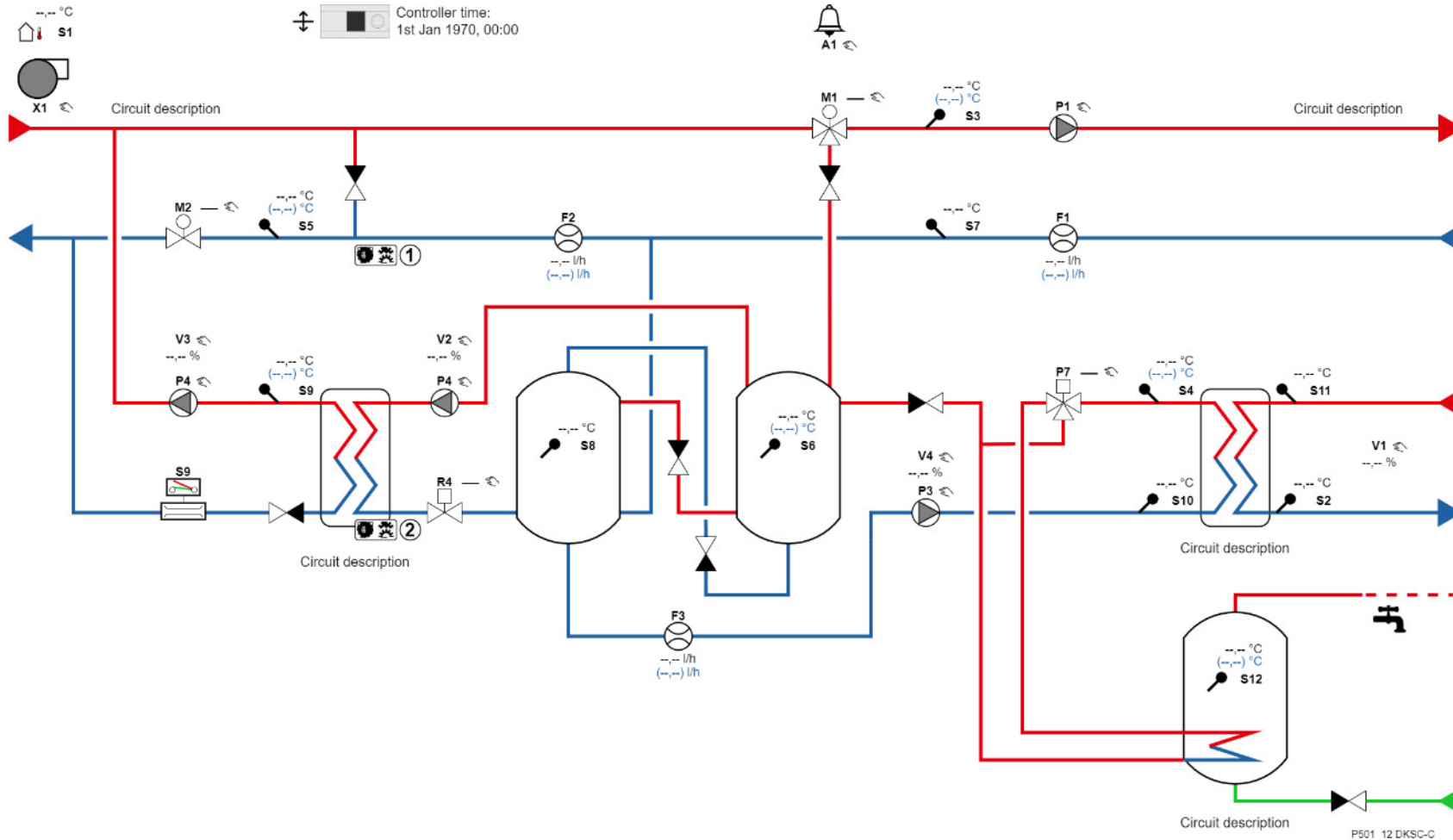
P501 12 DKSC-A

Leanheat® Monitor – P501.12 DKSC-B

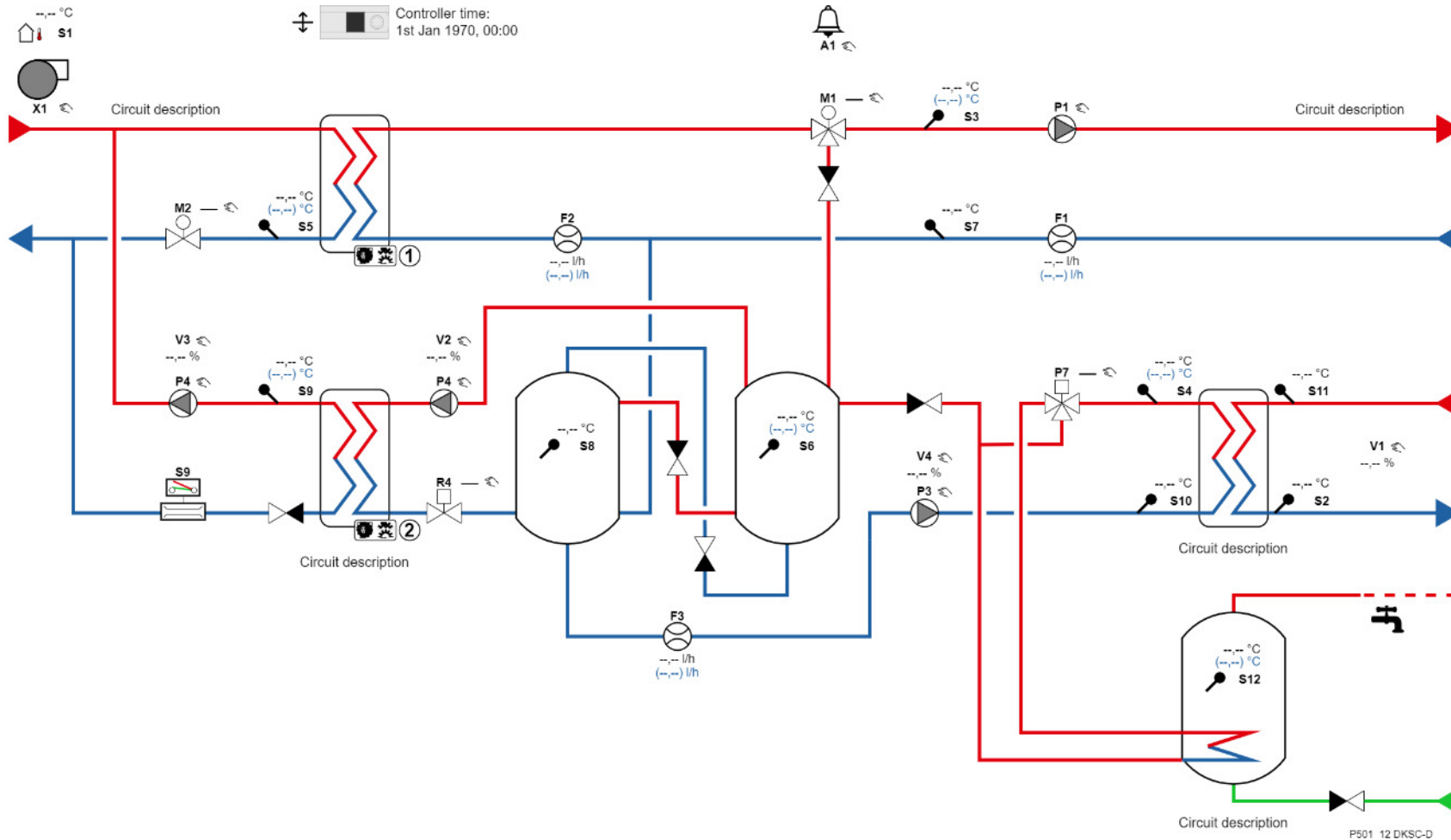


P501 12 DKSC-B

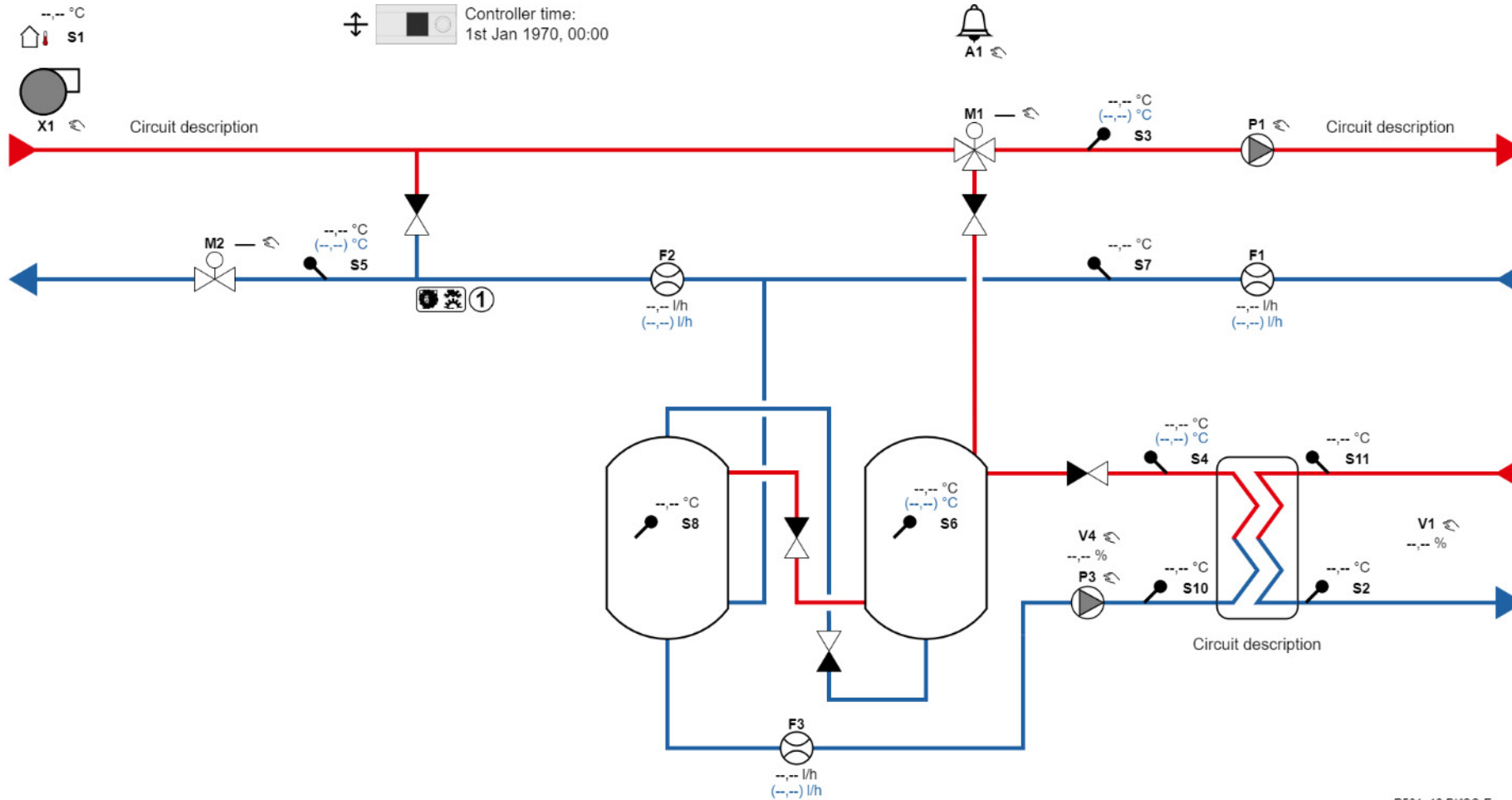
Leanheat® Monitor – P501.12 DKSC-C



Leanheat® Monitor – P501.12 DKSC-D

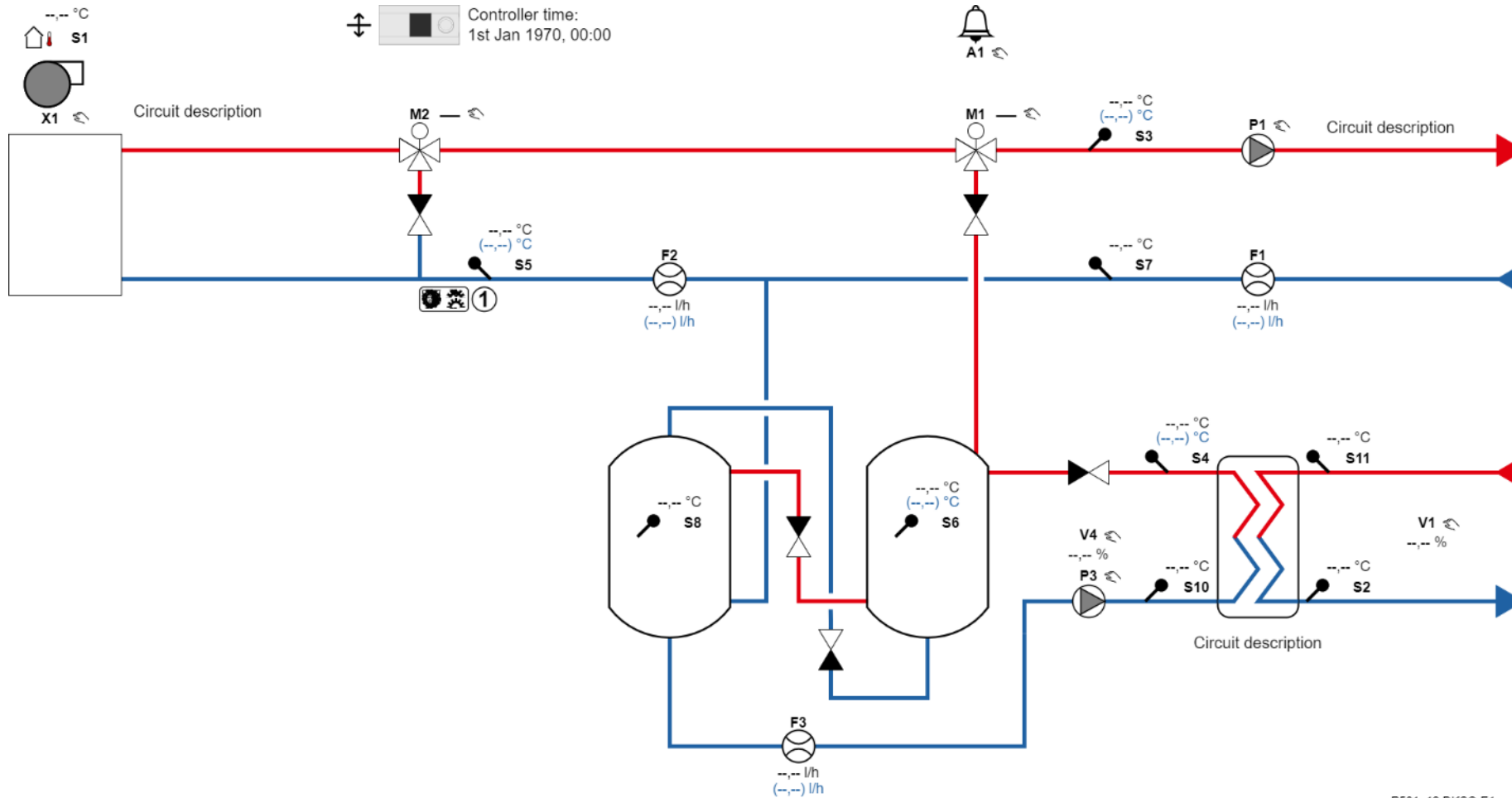


Leanheat® Monitor – P501.12 DKSC-E



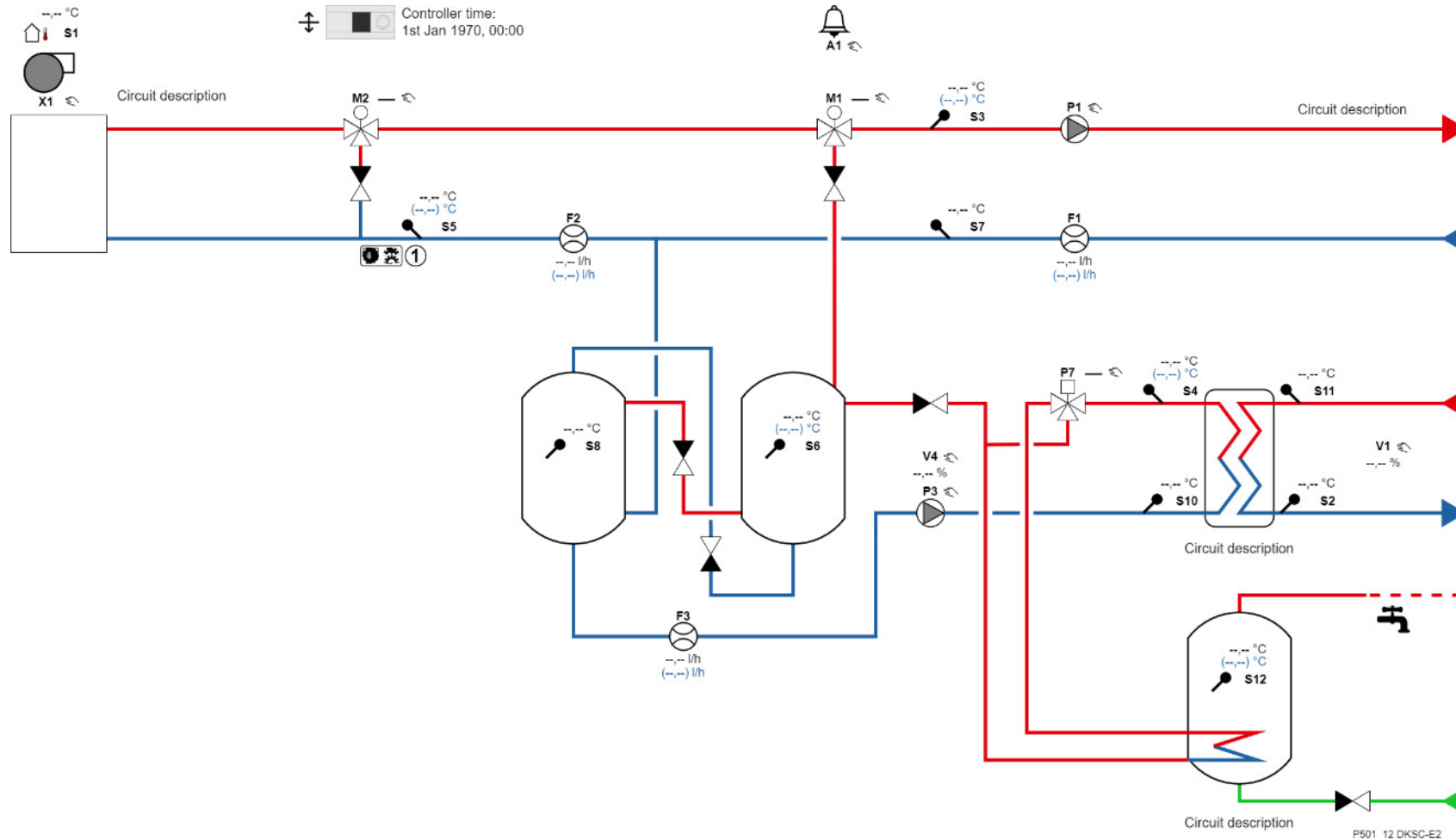
P501 12 DKSC-E

Leanheat® Monitor – P501.12 DKSC-E1

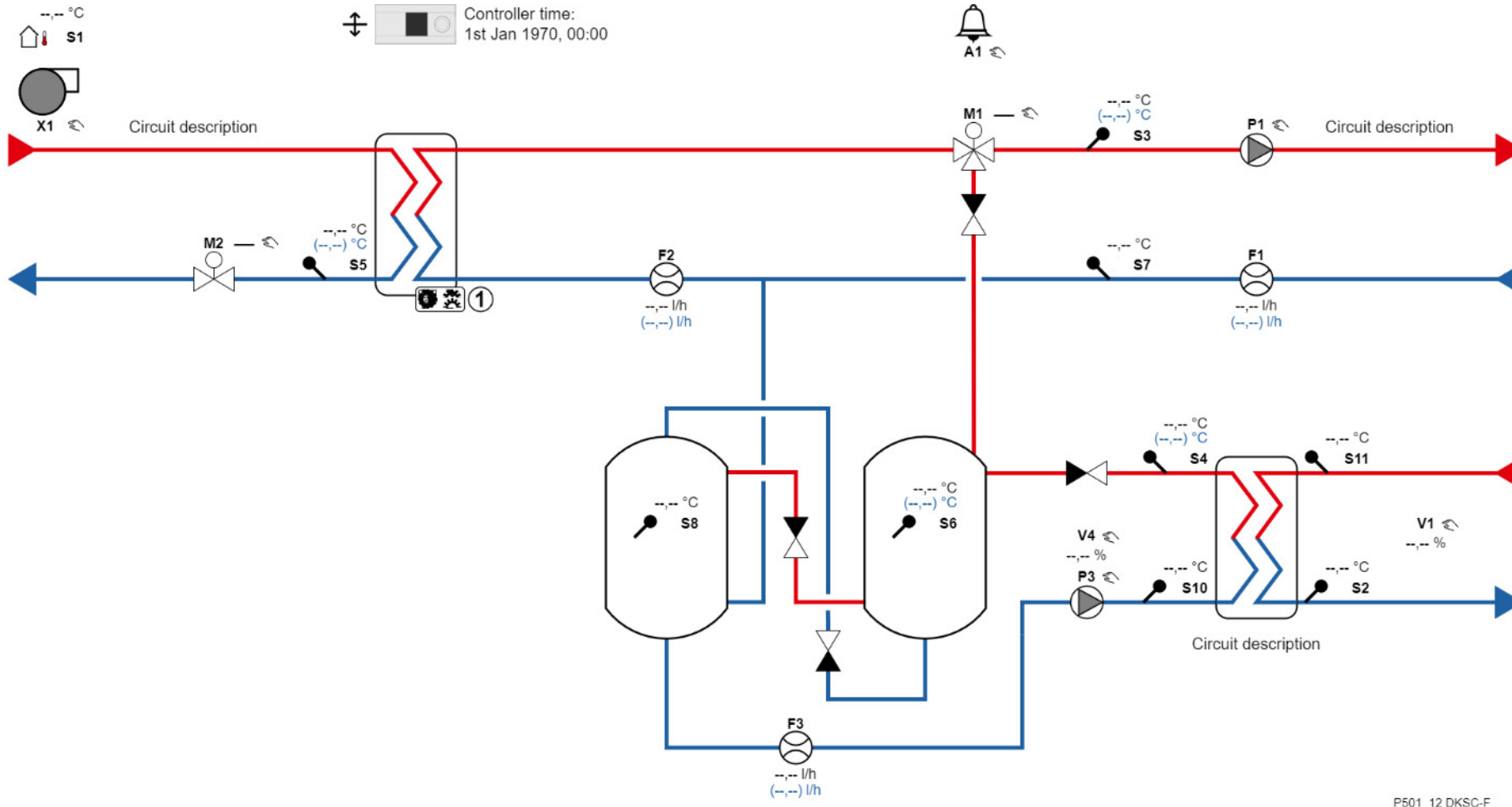


P501 12 DKSC-E1

Leanheat® Monitor – P501.12 DKSC-E2

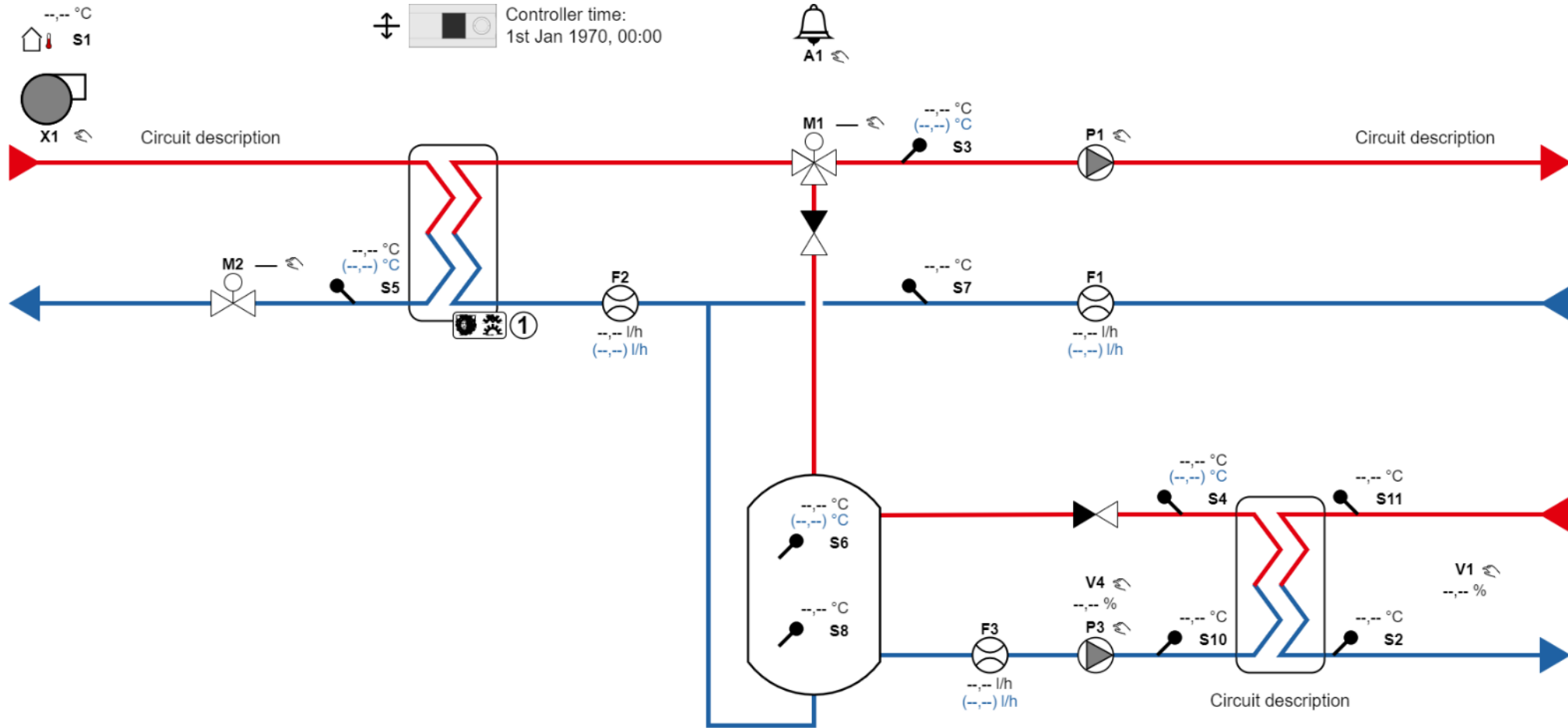


Leanheat® Monitor – P501.12 DKSC-F



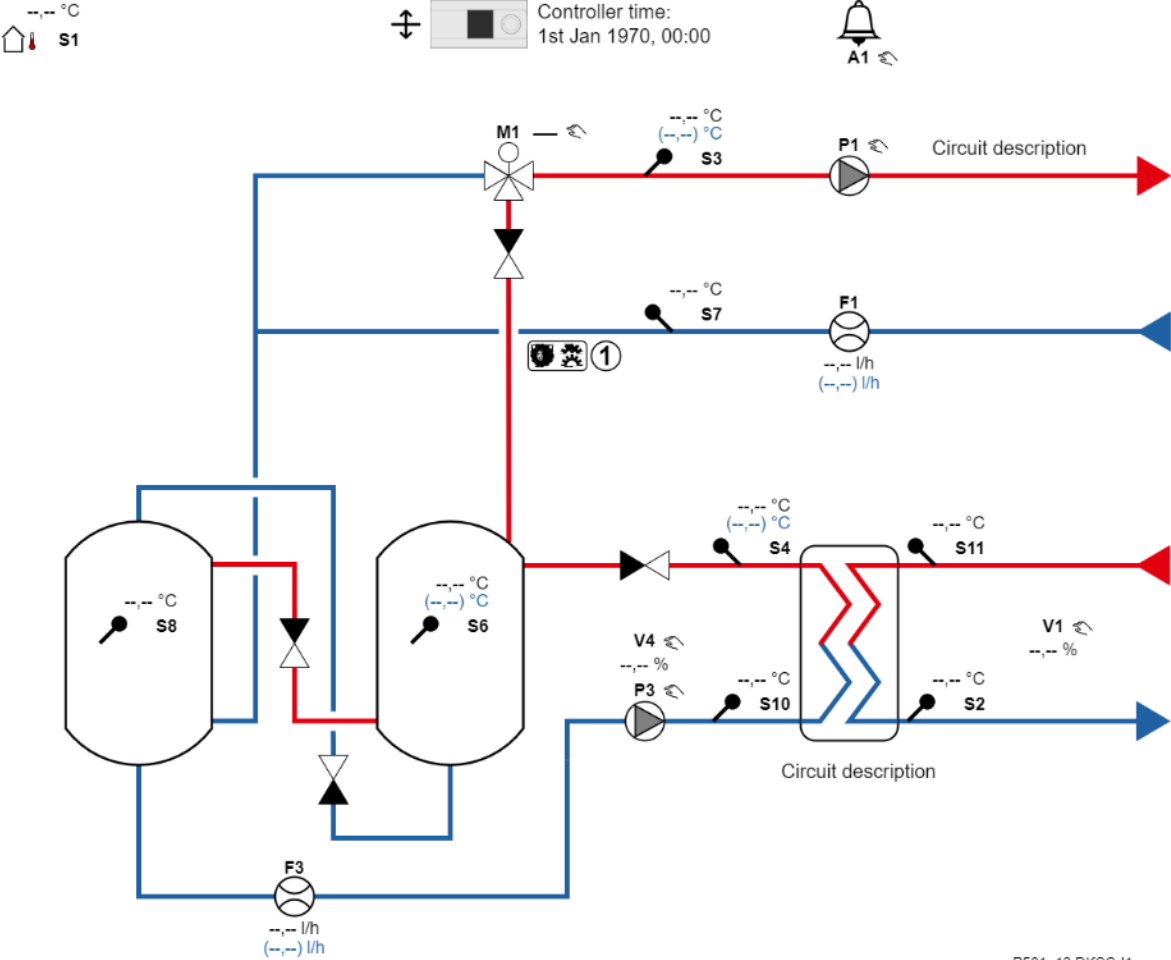
P501 12 DKSC-F

Leanheat® Monitor – P501.12 DKSC-I



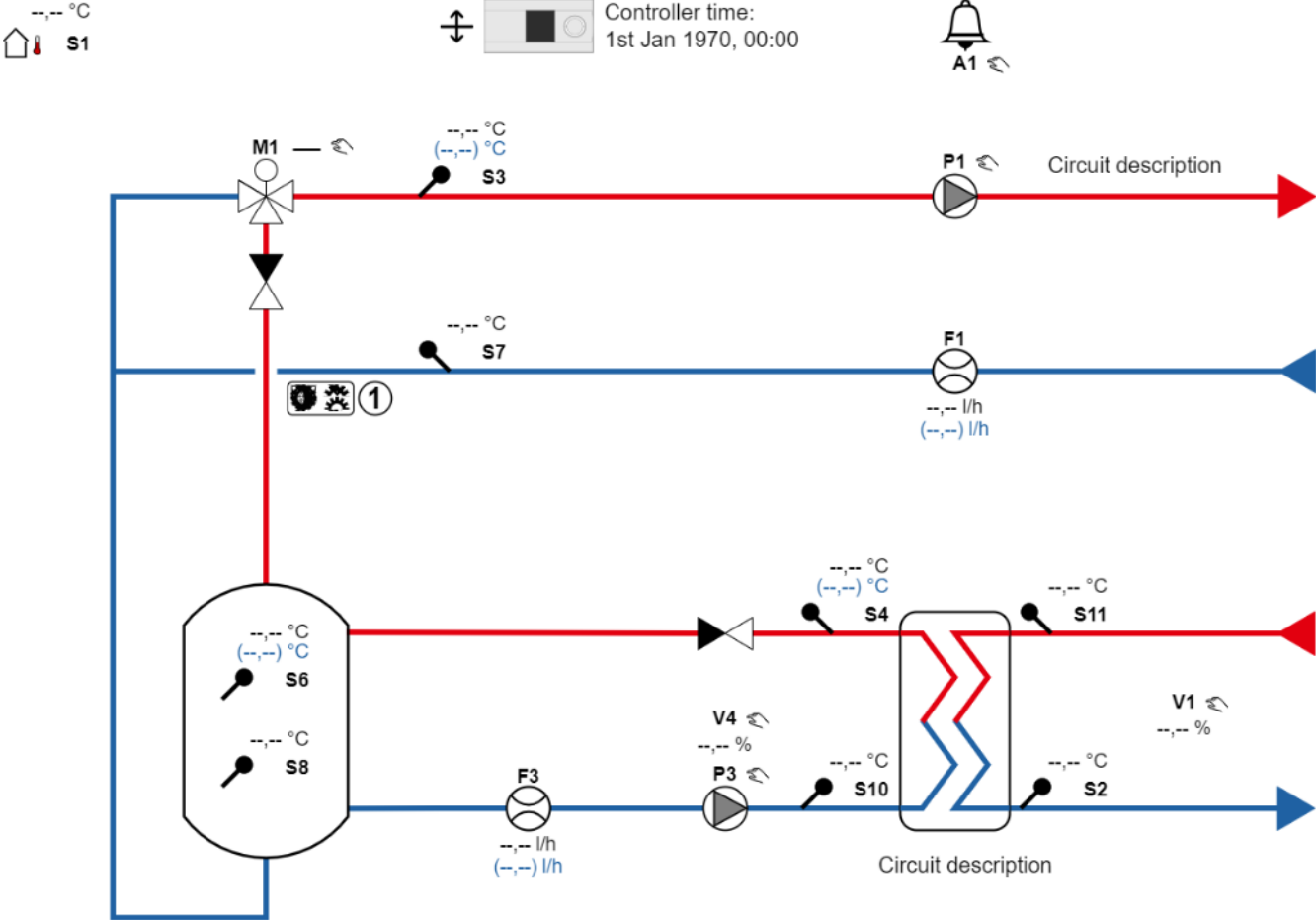
P501 12 DKSC-I

Leanheat® Monitor – P501.12 DKSC-I1



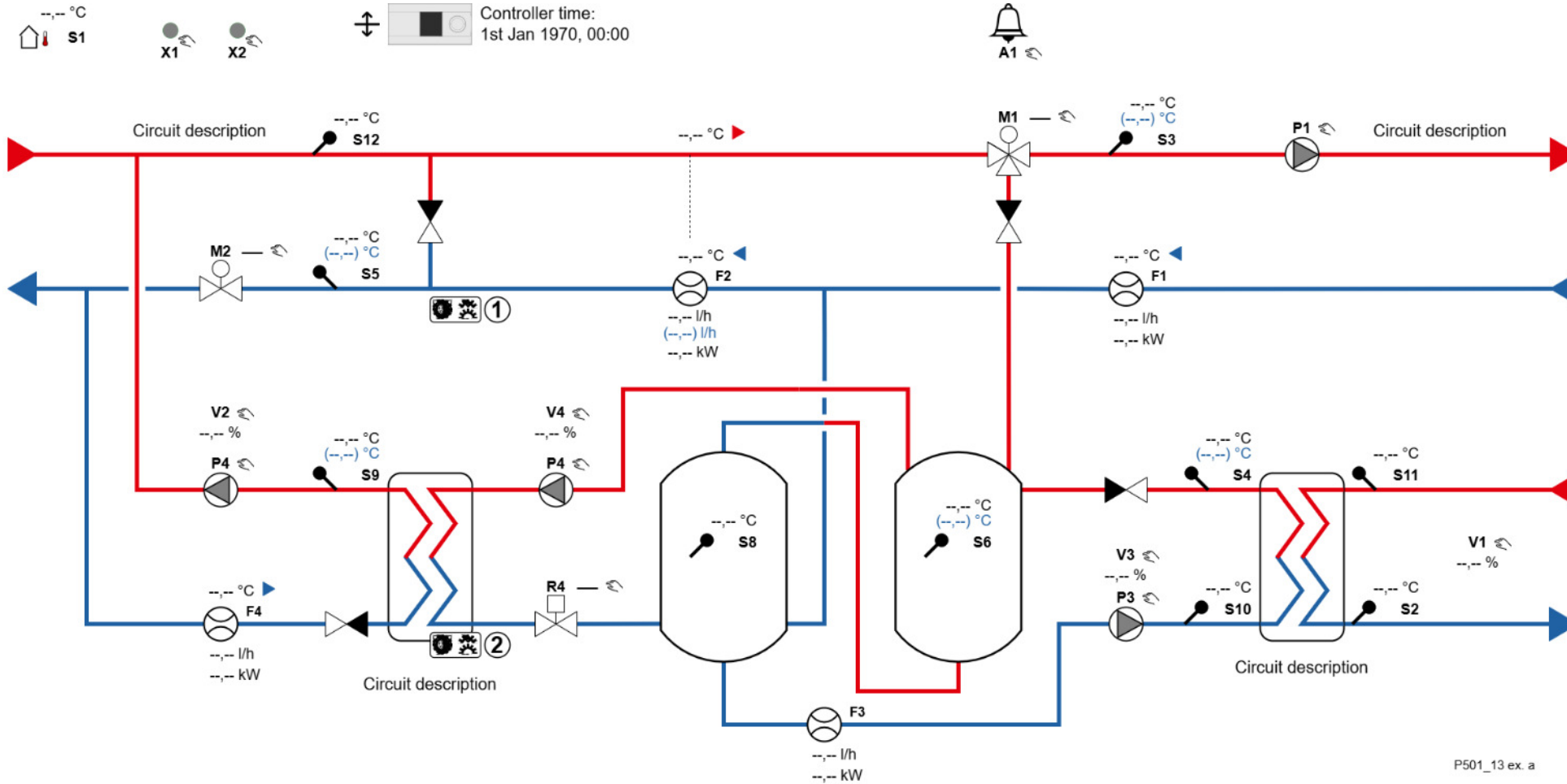
P501 12 DKSC-I1

Leanheat® Monitor – P501.12 DKSC-I4

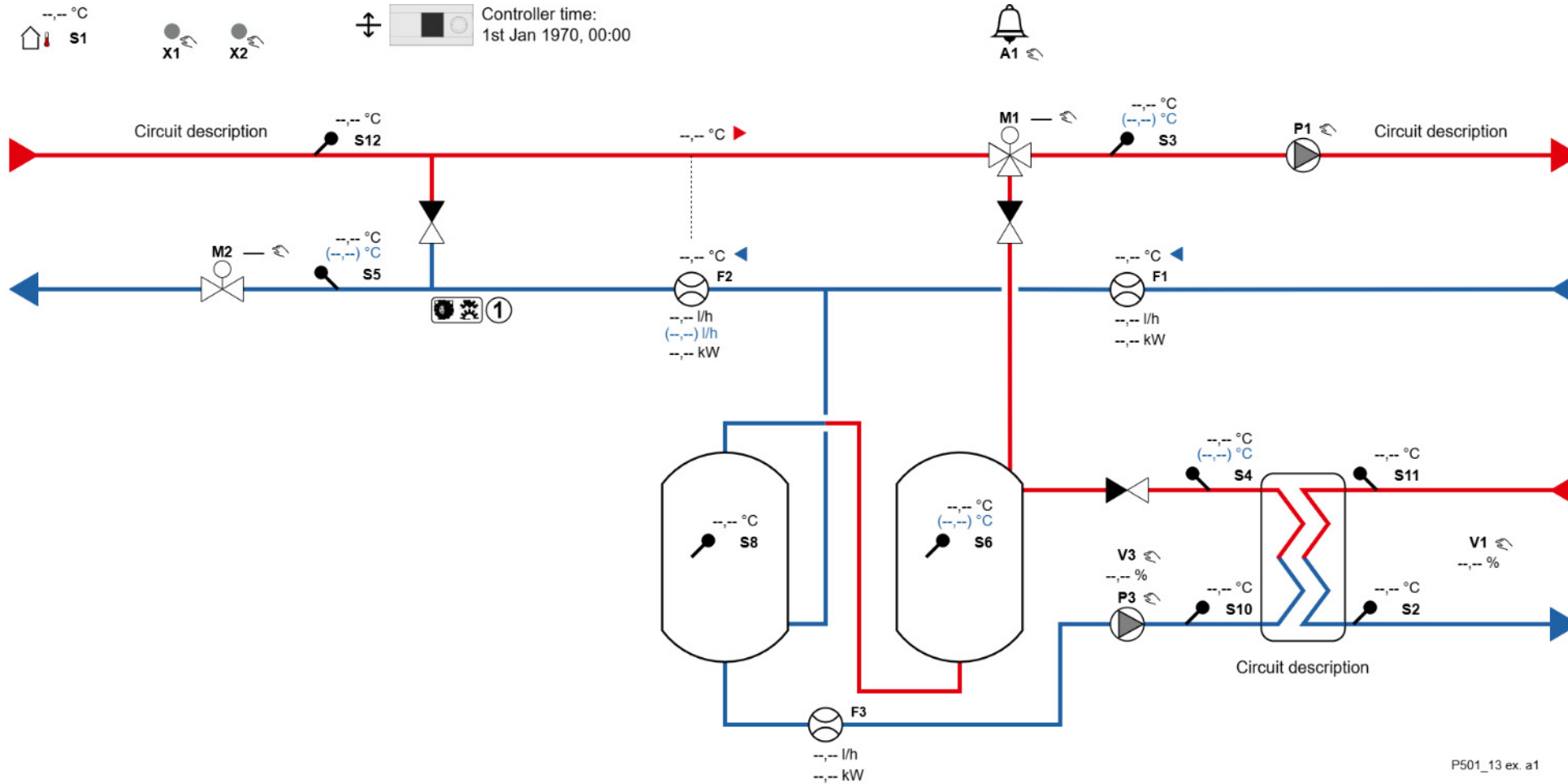


P501 12 DKSC-I4

Leanheat® Monitor – P501.13 DKSC-A

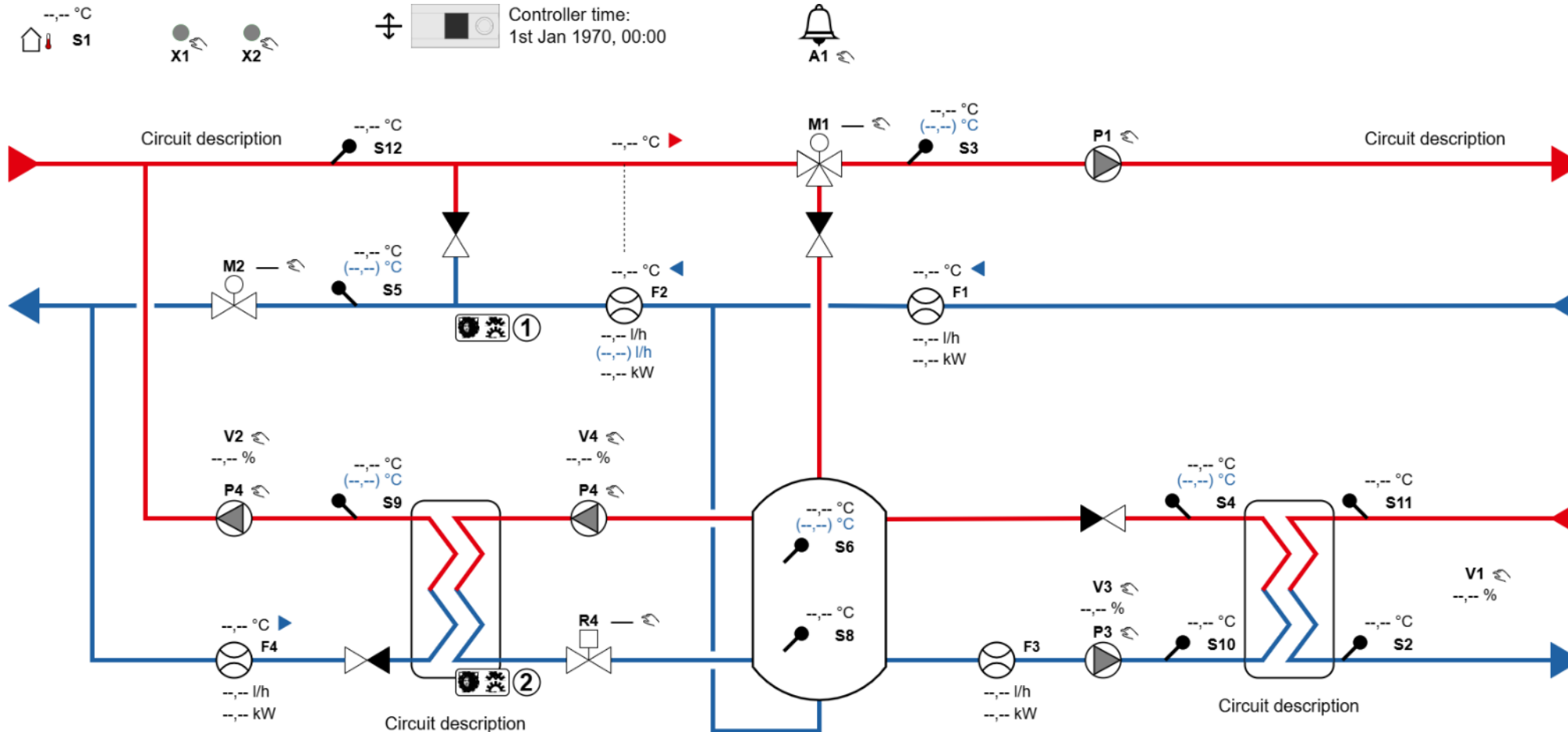


Leanheat® Monitor – P501.13 DKSC-A1



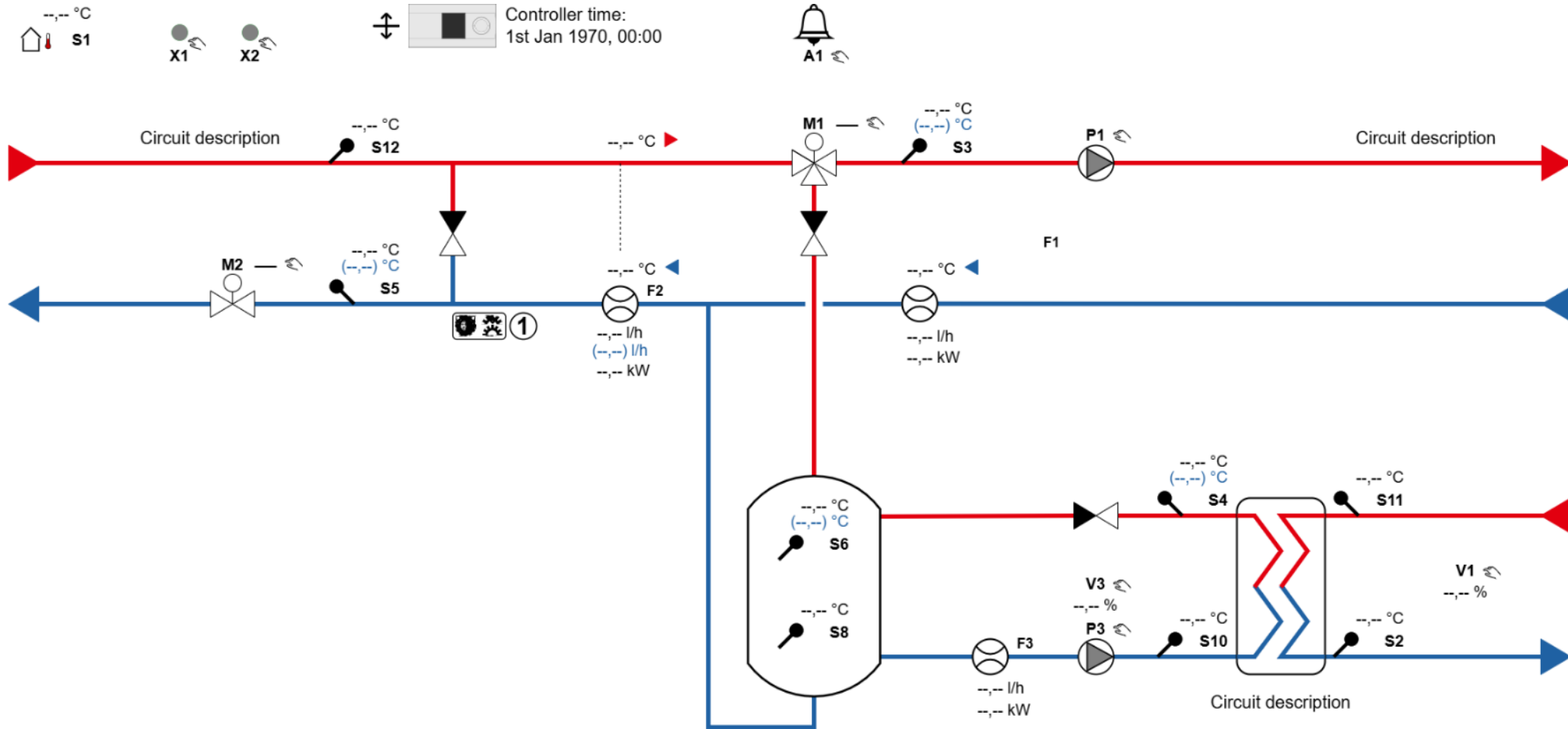
P501_13 ex. a1

Leanheat® Monitor – P501.13 DKSC-A2



P501 13 ex. a2

Leanheat® Monitor – P501.13 DKSC-A3



P501 13 ex. a3

Leanheat® Monitor – P501.13 DKSC-A4



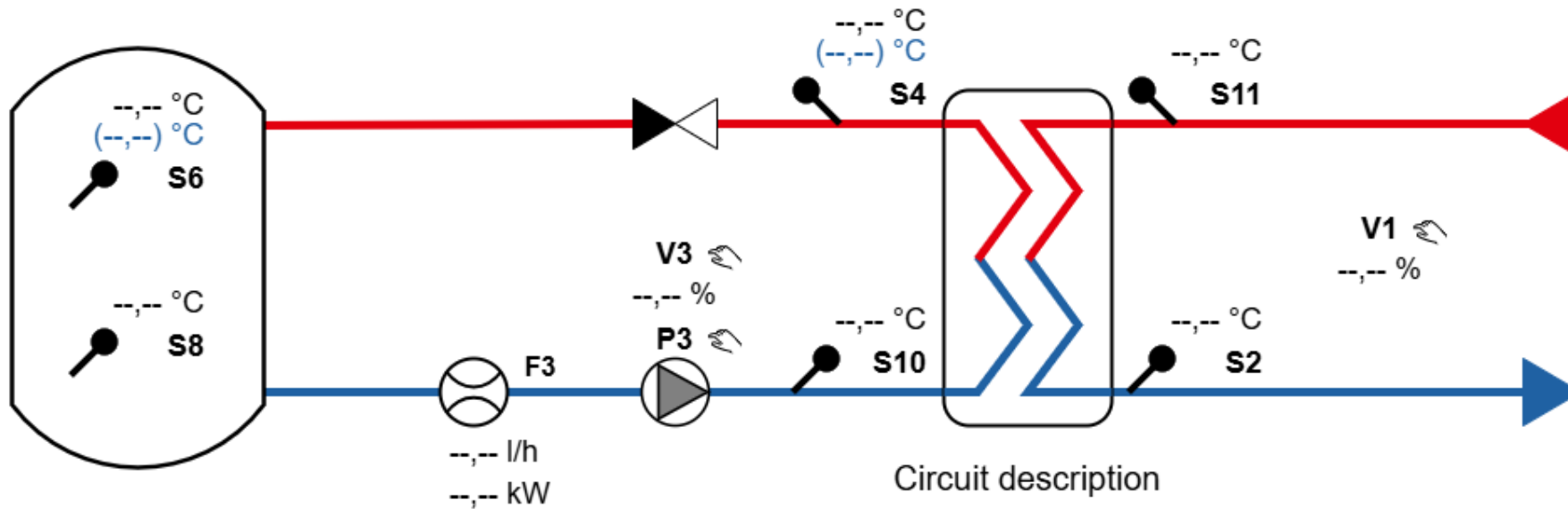
--- °C
S1

X2



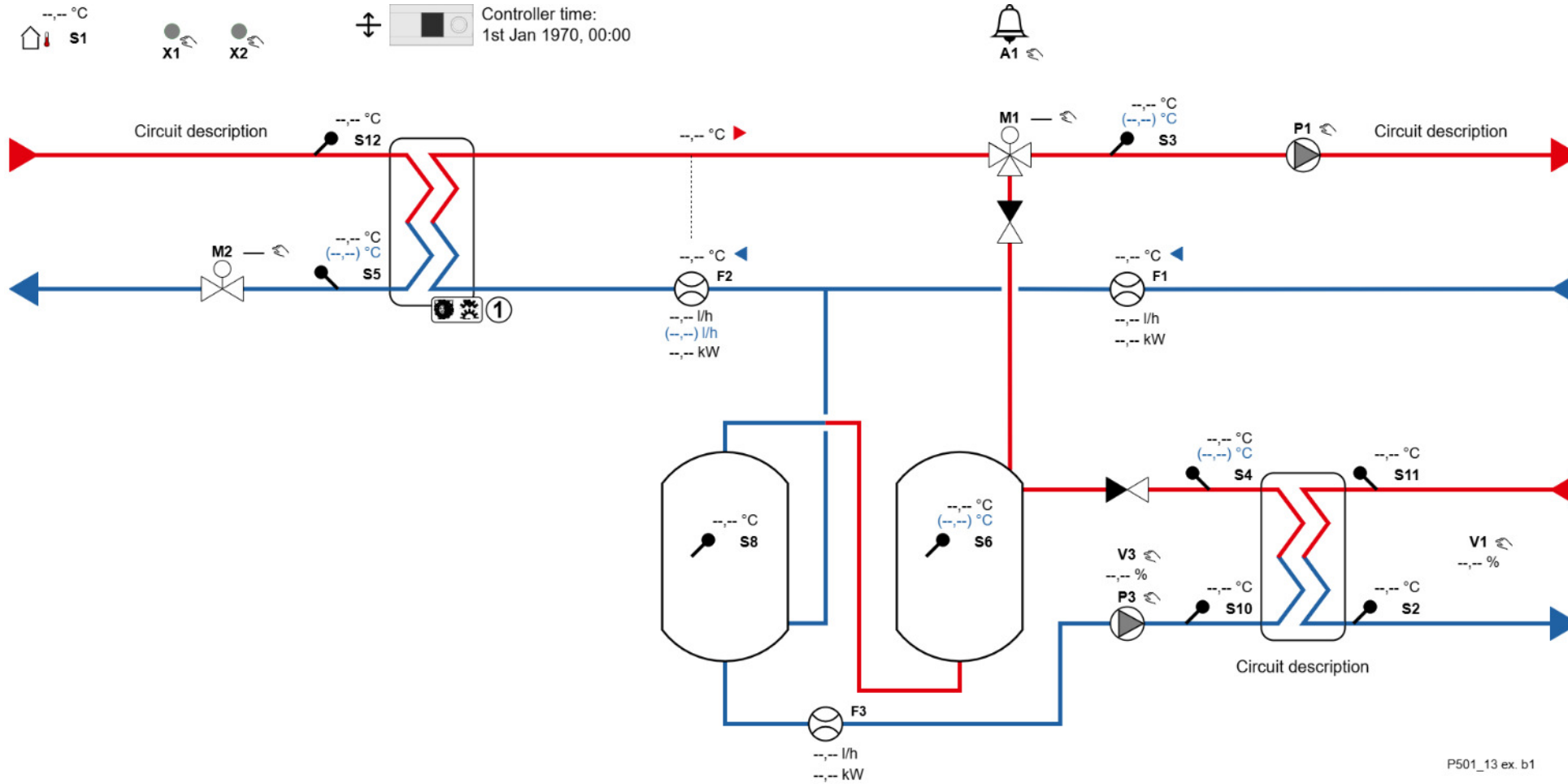
Controller time:
1st Jan 1970, 00:00

A1

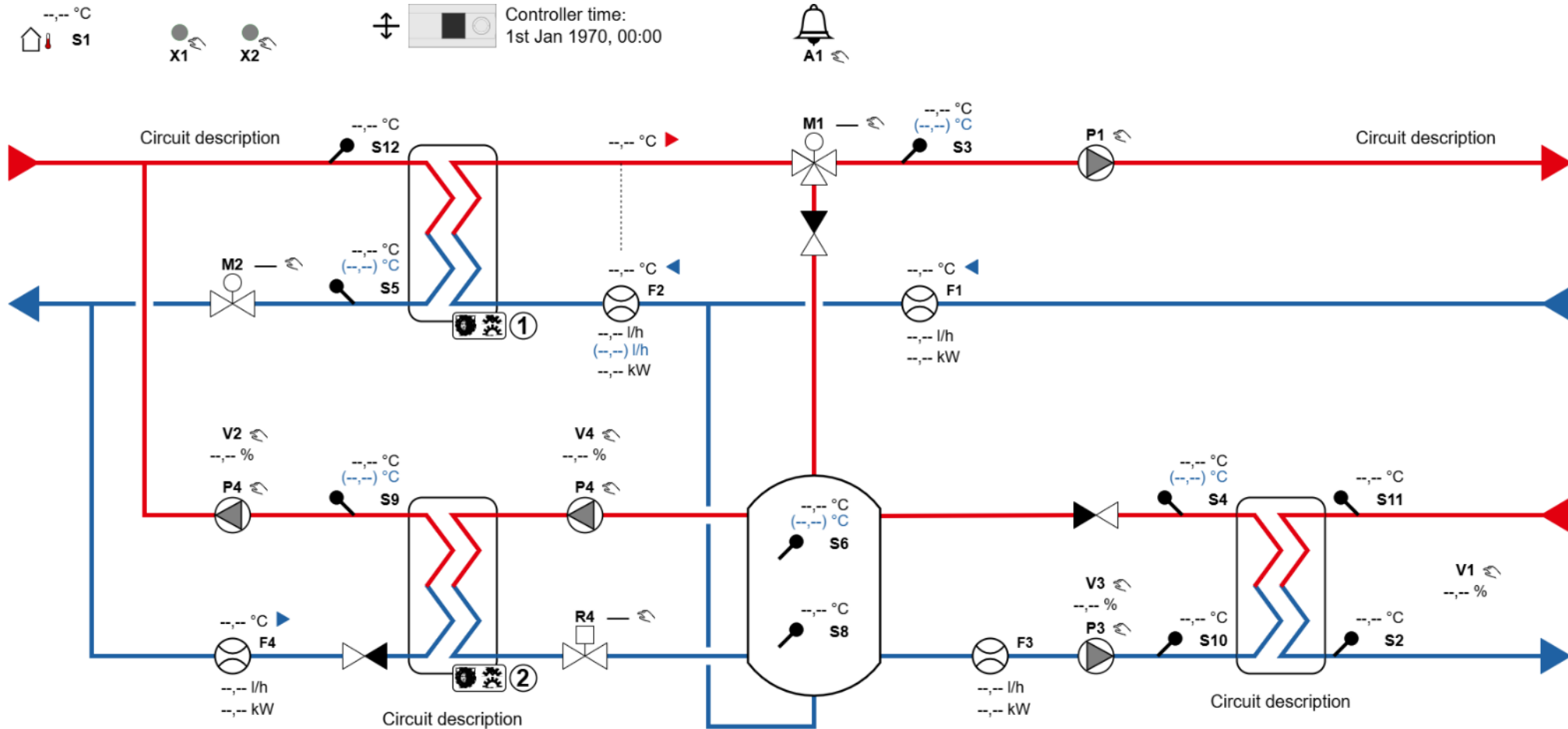


P501 13 ex. a4

Leanheat® Monitor – P501.13 DKSC-B1

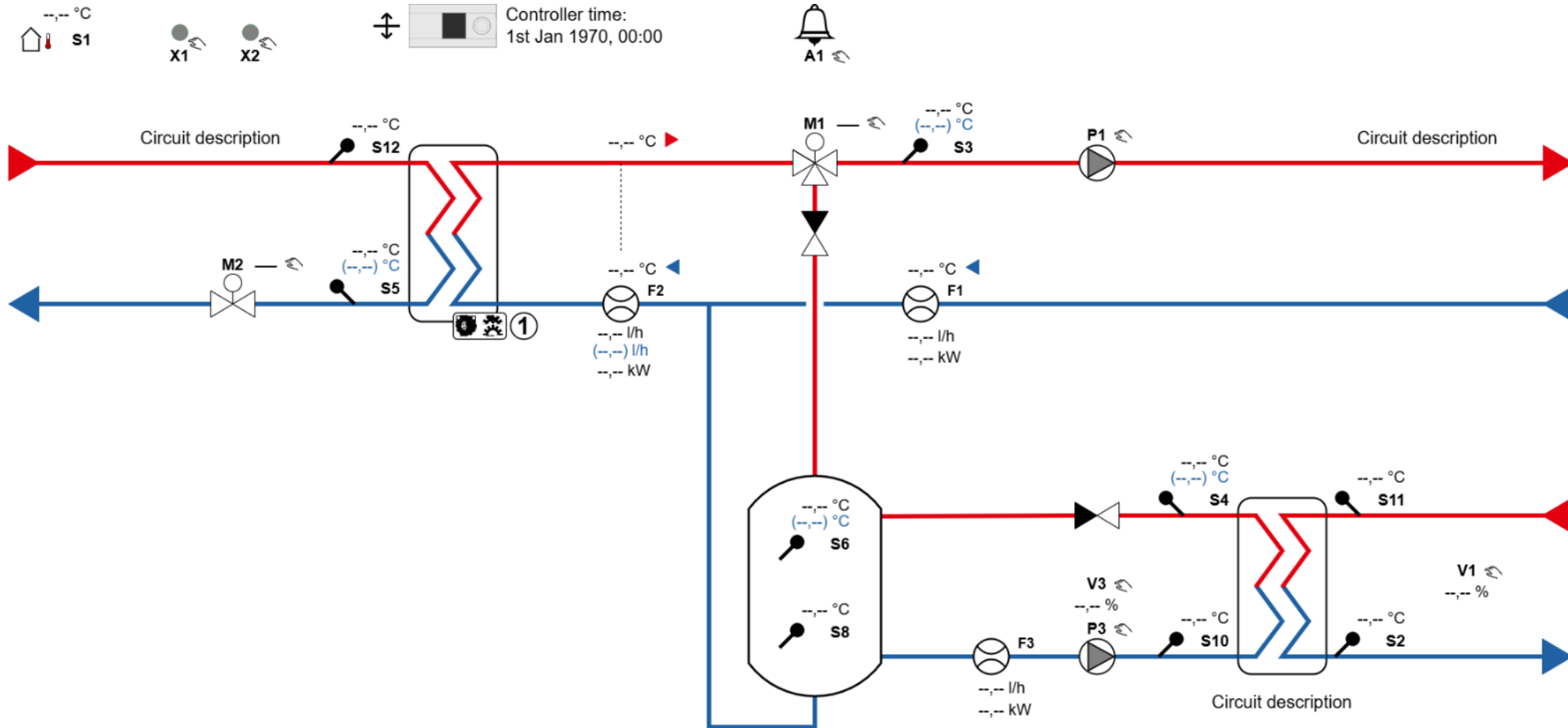


Leanheat® Monitor – P501.13 DKSC-B2



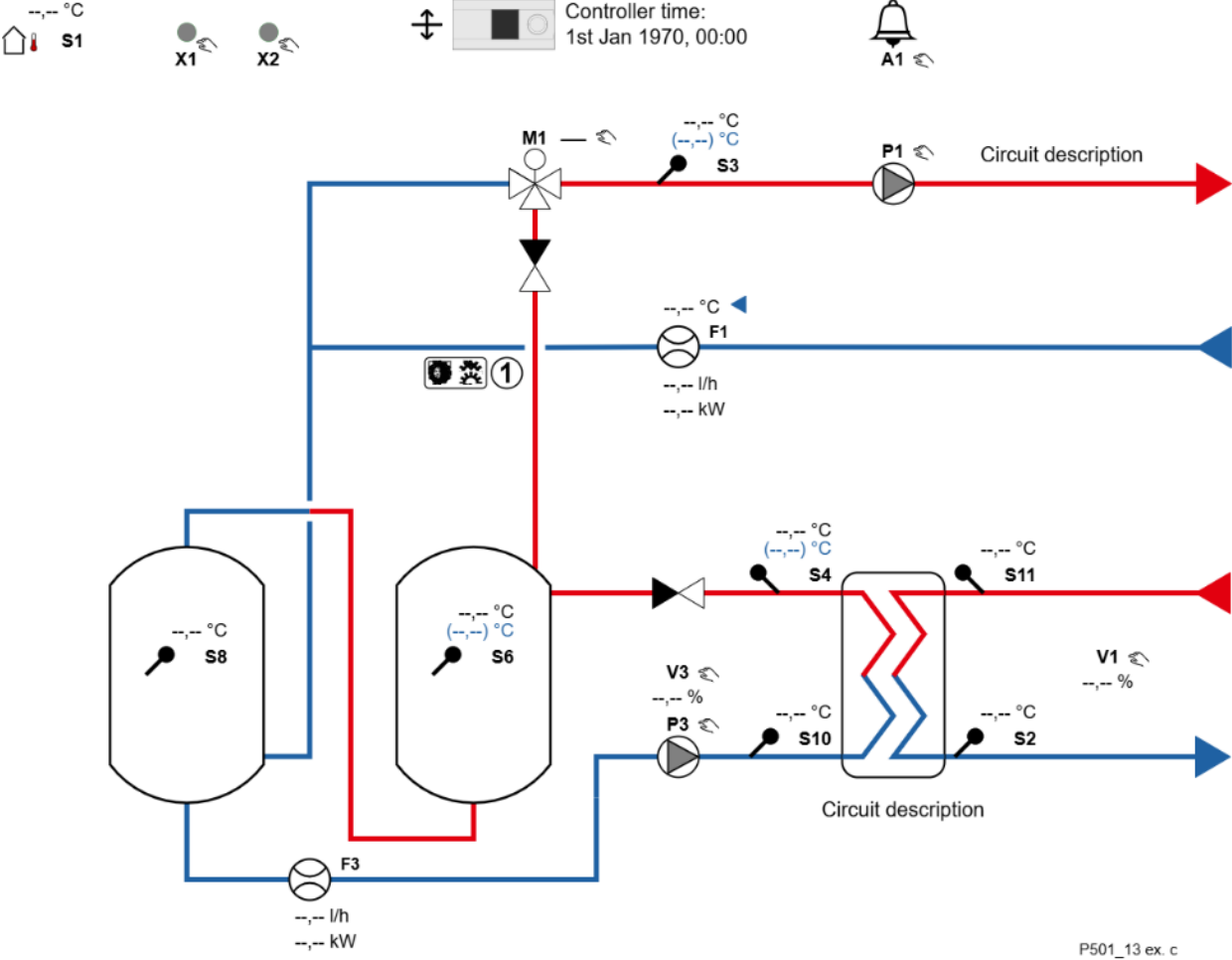
P501 13 ex. b2

Leanheat® Monitor – P501.13 DKSC-B3



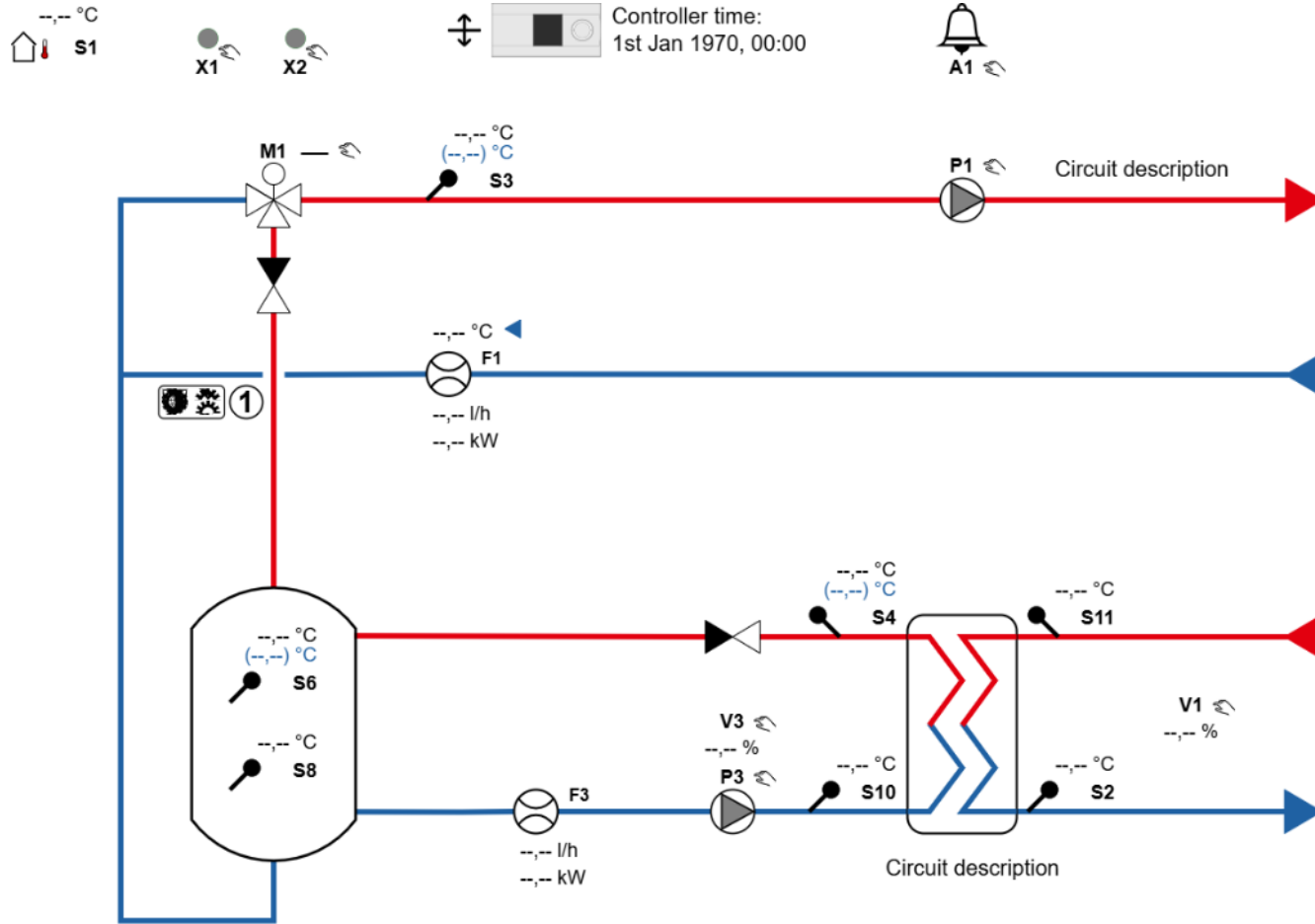
P501 13 ex. b3

Leanheat® Monitor – P501.13 DKSC-C



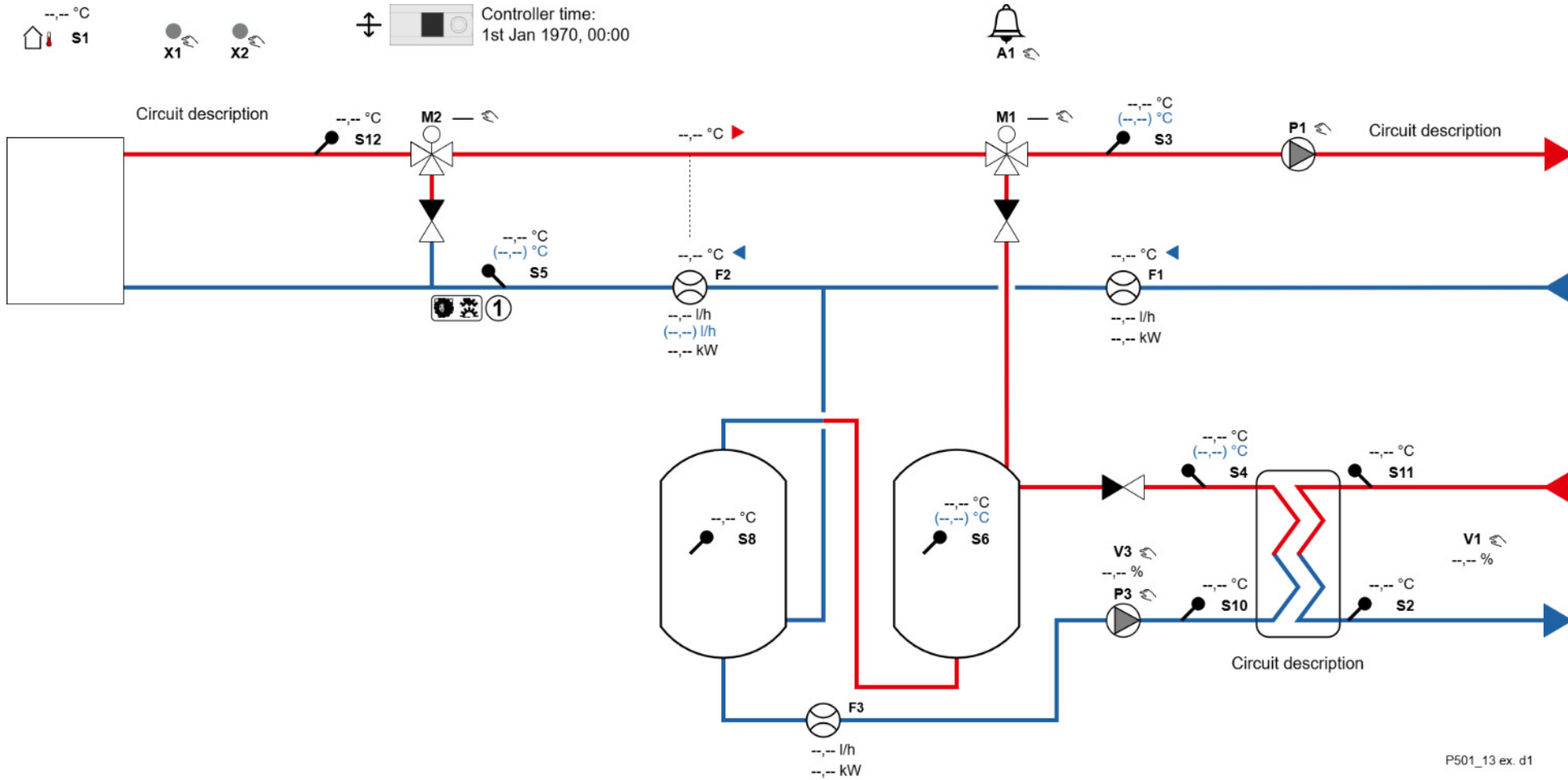
P501_13 ex. c

Leanheat® Monitor – P501.13 DKSC-C1



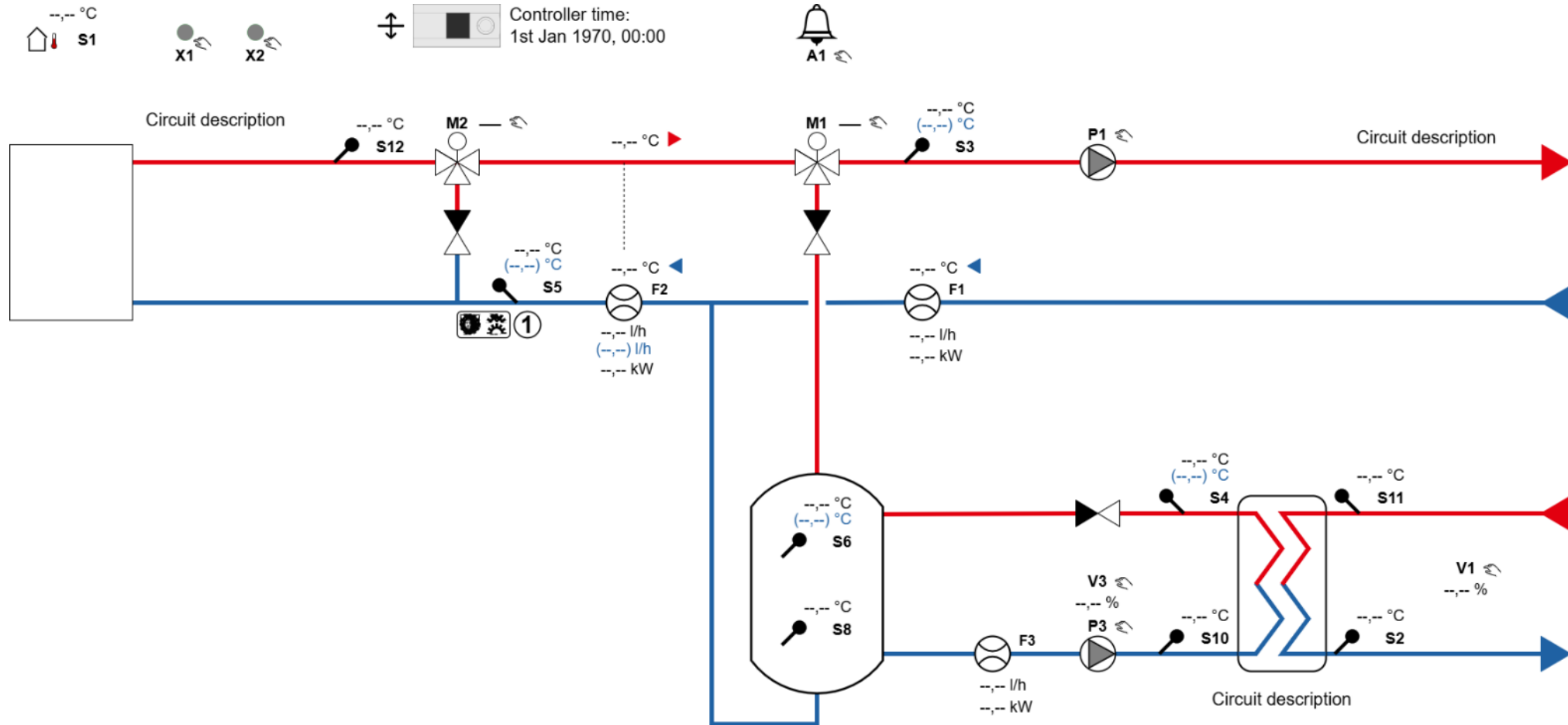
P501 13 ex. c1

Leanheat® Monitor – P501.13 DKSC-D1



P501_13 ex. d1

Leanheat® Monitor – P501.13 DKSC-D3



P501 13 ex. d3

